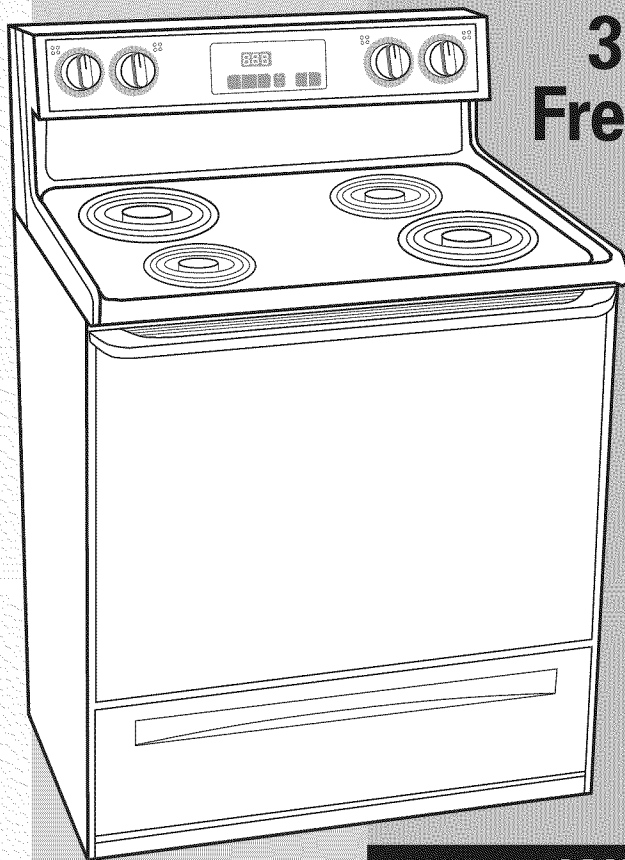


# Installation Instructions



## 30" Electric Freestanding Range

### **⚠ WARNING**



#### Tip Over Hazard

A child or adult can tip the range and be killed.

Connect anti-tip bracket to rear range foot.

Reconnect the anti-tip bracket, if the range is moved.

Failure to follow these instructions can result in death or serious burns to children and adults.

## Quick Reference

### Table of Contents:

Pages	
<b>2</b>	Before you start
<b>2</b>	Product dimensions
<b>2</b>	Cabinet dimensions/requirements
<b>3</b>	Electrical requirements
<b>3 - 6</b>	Installation steps
<b>Back cover</b>	If range does not operate
<b>Back cover</b>	If you need assistance/service
<b>Back cover</b>	Moving the range

### If you need assistance:

Check your Use and Care Guide for a toll-free number to call or call the dealer from whom you purchased this appliance. The dealer is listed in the Yellow Pages of your phone directory under "Appliances — Household — Major — Service and Repair."

Call when you:

- Have questions about range installation or operation.
- Need to obtain the name and number of an authorized service company.

When you call, you will need:

- The range model number.
- The range serial number.

Both numbers are listed on the model/serial rating plate located on the oven frame behind the storage drawer panel.

## IMPORTANT:

### Read and save these instructions.

## IMPORTANT:

**Installer:** Leave Installation Instructions with the homeowner.

**Homeowner:** Keep Installation Instructions for future reference.

**Save** Installation Instructions for local electrical inspector's use.

## Before you start...

### Your safety and the safety of others are very important.

We have provided many important safety messages in this manual and on your appliance. Always read and obey all safety messages.



This is the safety alert symbol.

This symbol alerts you to potential hazards that can kill or hurt you and others.

All safety messages will be preceded by the safety alert symbol and the word "DANGER" or "WARNING". These words mean:

### **DANGER**

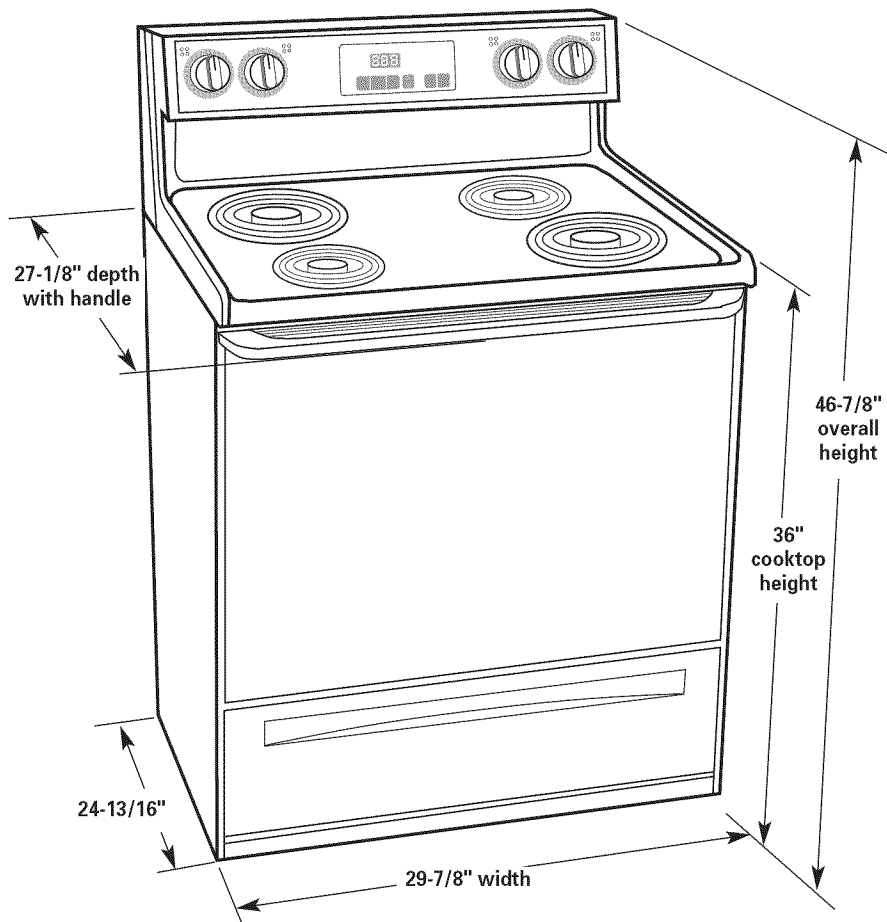
You can be killed or seriously injured if you don't immediately follow instructions.

### **WARNING**

You can be killed or seriously injured if you don't follow instructions.

All safety messages will tell you what the potential hazard is, tell you how to reduce the chance of injury, and tell you what can happen if the instructions are not followed.

## Product dimensions



**Important: Observe all governing codes and ordinances. Failure to meet codes and ordinances could lead to fire or electrical shock.**

**Proper installation** is your responsibility. A qualified technician must install this range. Make sure you have everything necessary for correct installation. It is the installer's responsibility to comply with installation clearances specified on the model/serial rating plate. The model/serial rating plate is located on the oven frame behind the storage drawer panel.

**Check location** where range will be installed. The range should be located for convenient use in kitchen.

When installing a range under existing cabinets and the installation does not meet the minimum cabinet clearances, install a range hood above the cooktop to avoid burn hazards.

ALL OPENINGS IN THE WALL OR FLOOR WHERE RANGE IS TO BE INSTALLED MUST BE SEALED.

**Cabinet opening dimensions** that are shown must be used. Given dimensions are minimum clearances.

**Grounded electrical outlet** is required. See "Electrical requirements," Page 3.

### Mobile home installation

The installation of this range must conform with the Manufactured Home Construction and Safety Standard, Title 24 CFR, Part 3280 [formerly the Federal Standard for Mobile Home Construction and Safety, Title 24, HUD (Part 280)] or, when such standard is not applicable, the Standard for Manufactured Home Installations, ANSI/NCSBCS A225.1 and Manufactured Home Installations, Sites and Communities ANSI/NFPA 501A\*, or with local codes.

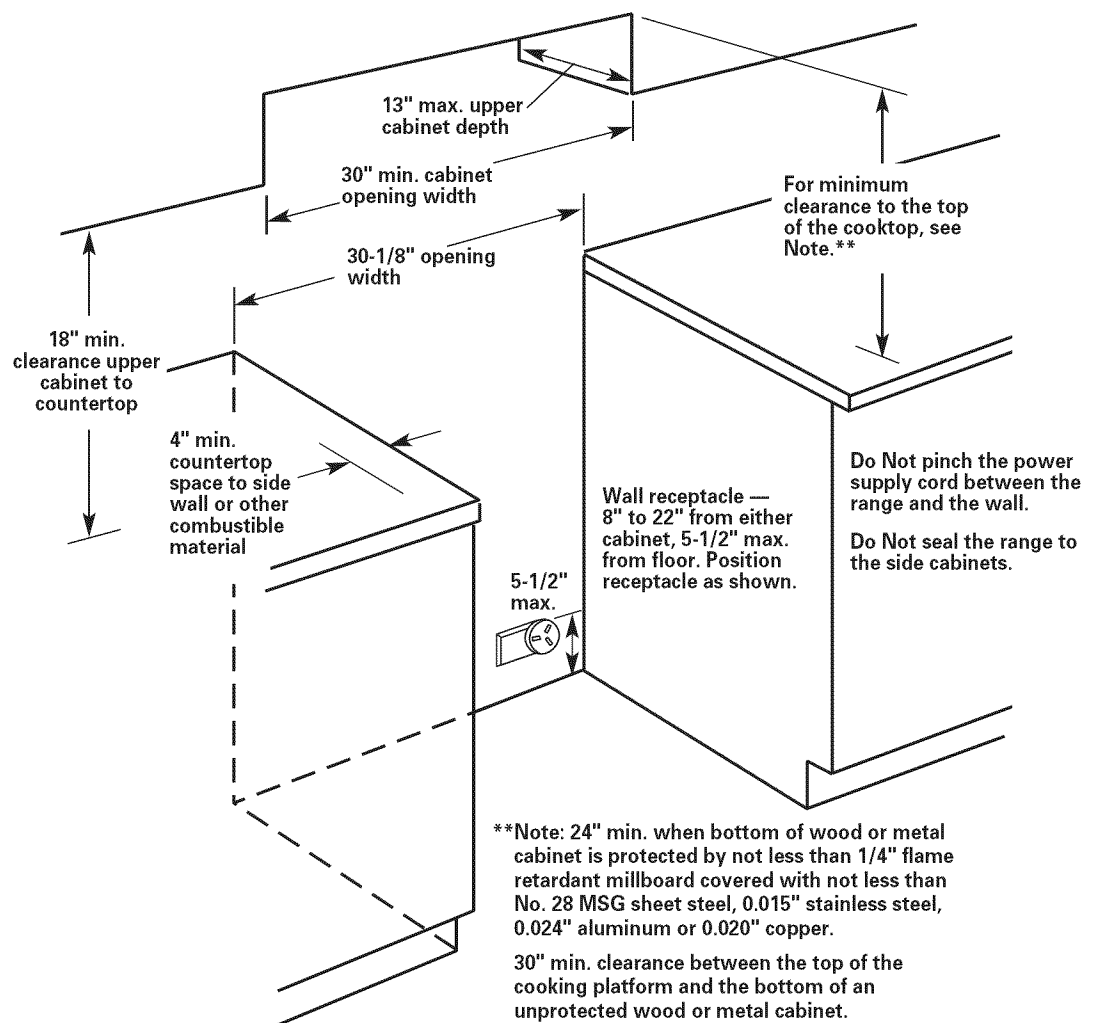
When this range is installed in a mobile home, it must be secured to the floor during transit. Any method of securing the range is adequate as long as it conforms to the standards listed above.

Four-wire power supply cord or cable must be used in a mobile home installation. The appliance wiring will need to be revised. See "Four-wire electrical connection," Page 4.

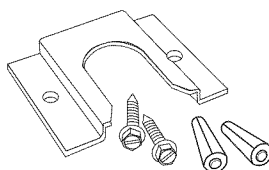
Copies of the standards listed may be obtained from:

\* National Fire Protection Association  
Batterymarch Park  
Quincy, Massachusetts 02269

## Cabinet dimensions/requirements

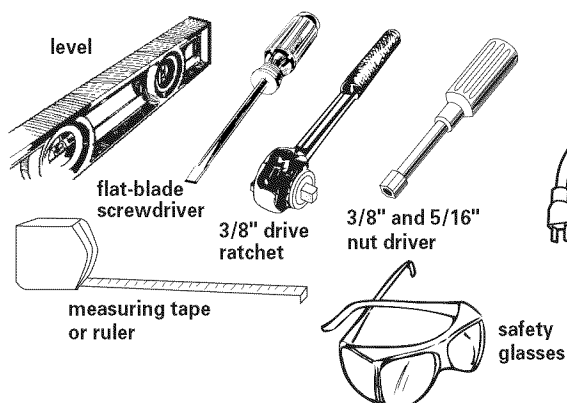


### Anti-tip bracket

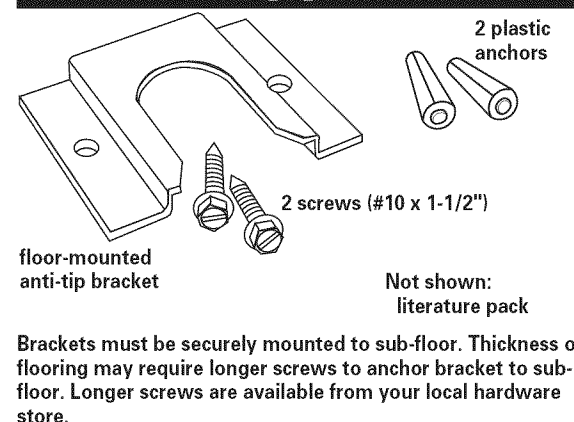


The floor-mounted anti-tip bracket **MUST** be installed. To install the anti-tip bracket shipped with the range, see Page 3 and the anti-tip bracket template/instruction sheet.

## Tools needed:



## Parts supplied:



# Electrical requirements

## ⚠ WARNING



### Electrical Shock Hazard

Electrically ground range.

Failure to follow this instruction could result in death, fire or electrical shock.

If codes permit and a separate ground wire is used, it is recommended that a qualified electrician determine that the ground path and wire gauge are in accordance with local codes.

Do Not ground to a gas pipe.

Check with a qualified electrician if you are not sure range is properly grounded.

Do Not have a fuse in the neutral or ground circuit.

## Recommended ground method

It is the personal responsibility and obligation of the customer to contact a qualified electrician to assure that the electrical installation is adequate and is in conformance with the National Electrical Code, ANSI/NFPA 70 — latest edition\* and all local codes and ordinances.

Copies of the standards listed above may be obtained from:

\* National Fire Protection Association  
Batterymarch Park  
Quincy, Massachusetts 02269

Power supply cord is not supplied, but is available through your local electrical supply house.

Range must be connected to the proper electrical voltage and frequency as specified on the model/serial rating plate. (The model/serial rating plate is located on the oven frame behind the storage drawer panel.)

CONNECTION AT CONNECTION BLOCK MUST BE COPPER WIRE ONLY.

If the house has aluminum wiring, follow the procedure below:

- Connect a section of 8-gauge, solid copper wire to the connector block.
- Connect the aluminum wiring to the added section of copper wire using special connectors designed and Underwriters Laboratories-listed for joining copper to aluminum. Follow the electrical connector manufacturer's recommended procedure.
- Aluminum/copper connection must conform with local codes and industry-accepted wiring practice.

A three-wire or four-wire, single-phase, 120/240-volt, 60-Hz, AC-only, electrical supply (or three-wire or four-wire 120/208-volt if specified on the model/serial rating plate) is required on a separate, 40-ampere circuit, fused on both sides of the line.

A time-delay fuse or circuit breaker is recommended.

Local codes may permit the use of a U.L.-listed, 250-volt, 40-ampere range power supply cord (pigtail). This cord contains three, No.-10 copper wires and matches a three-wire receptacle of NEMA Type 10-50R, shown in Figure 1. Connectors on the appliance end must be provided at the point the power supply cord enters the appliance.

The range can be connected directly to the fused disconnect (or circuit breaker box) through flexible, armored or non-metallic sheathed, copper cable (with grounding wire). Allow two to three feet of slack in the line so that it can be moved if servicing is ever necessary.

A U.L.-listed conduit connector must be provided at each end of the power supply cable (at the range and at the junction box).

**Wire sizes (COPPER WIRE ONLY) and connections** must conform with the rating of the range (40-amperes).

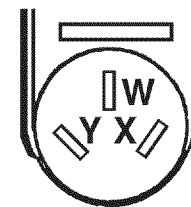
The wiring diagram is located on the back of the range or on the inside of the storage drawer in a clear plastic bag.

## If connecting to a four-wire system:

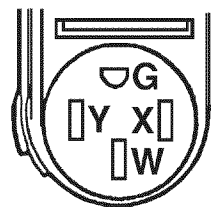
This range is manufactured with the ground connected to the cabinet. **The ground must be revised** so the green grounding wire of the four-wire power supply cord is connected to the cabinet. See "Four-wire electrical connection," section, Page 4.

When a four-wire receptacle of NEMA Type 14-50R is used (see Figure 2), a matching U.L.-listed, four-wire, 250-volt, 40-ampere, range power supply cord (pigtail) must be used. This cord contains four copper conductors with ring terminals at the appliance end, terminating in a NEMA Type 14-50P plug on the supply end. The fourth (grounding) conductor must be identified by a green or green/yellow cover and the neutral conductor by a white cover. Cord should be Type SRD or SRDT with a U.L.-listed strain relief and be at least four feet long.

The MINIMUM conductor sizes for the copper four-wire power cord are:  
40-ampere circuit  
2, No.-8 conductors  
1, No.-10 white neutral  
1, No.-8 green grounding



3-wire wall receptacle (10-50R)



4-wire wall receptacle (14-50R)

Figure 1

Figure 2

# Installation steps

## A Preparation

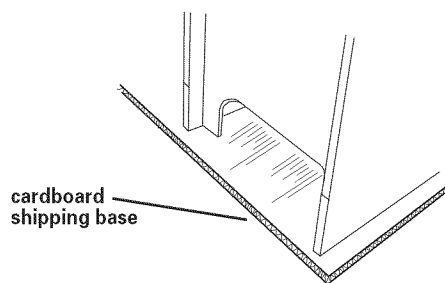
### ⚠ WARNING

#### Excessive Weight Hazard

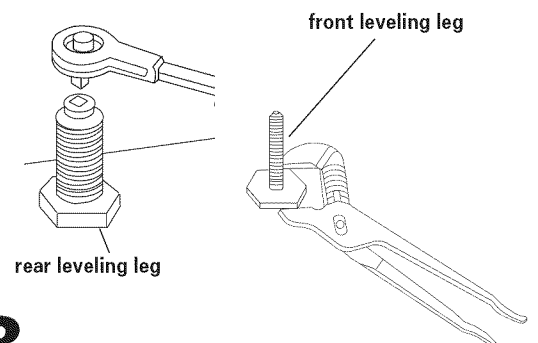
Use two or more people to move and install range.

Failure to do so can result in back or other injury.

**1.** Put on safety glasses and gloves. Remove oven racks and parts package from inside oven. Remove shipping materials, tape and protective film from range.



**2.** Do Not remove the cardboard shipping base at this time.



**3.** Remove storage drawer. Use a 3/8" drive ratchet to lower rear leveling legs one-half turn. Use channel lock pliers to lower front leveling legs one-half turn.

## B Anti-tip bracket installation

### ⚠ WARNING



#### Tip Over Hazard

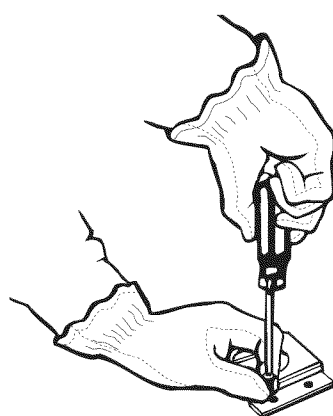
A child or adult can tip the range and be killed.

Connect anti-tip bracket to rear range foot.

Reconnect the anti-tip bracket, if the range is moved.

Failure to follow these instructions can result in death or serious burns to children and adults.

Contact a qualified floor covering installer for the best procedure for drilling mounting holes through your type floor covering.



**4.** Use the anti-tip bracket template/ instruction sheet to install the anti-tip bracket.

Anti-tip bracket must be anchored securely to the sub-floor.

Depending on the thickness of your flooring, longer screws may be necessary to anchor the bracket to the sub-floor. Longer screws are available from your local hardware store.

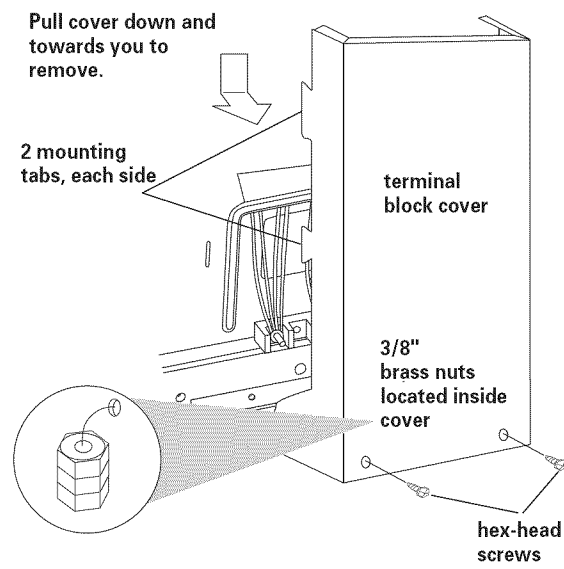
Check that range is on cardboard shipping base to protect floor covering.

## C Electrical connection

**GROUNDING INSTRUCTIONS:** This range must be grounded. In the event of malfunction or breakdown, grounding will reduce the risk of electric shock by providing a path of least resistance for electric current.

If using a power supply cord, the plug must be plugged into an appropriate outlet that is properly installed and grounded in accordance with all local codes and ordinances.

If using a direct wire connection, this range must be connected to a grounded metal, permanent wiring system; or an equipment-ground conductor must be run with the circuit conductors and connected to the equipment-ground terminal or lead on the range.



**6.** Remove the terminal block cover screws located on the back of range. Pull cover down and towards you to remove cover from range.

**7.** Depending on your electrical supply, make the three-wire or four-wire connection following the "Power supply cord method" or "Direct wire method" instructions.

### Power supply cord method:

#### ⚠ WARNING

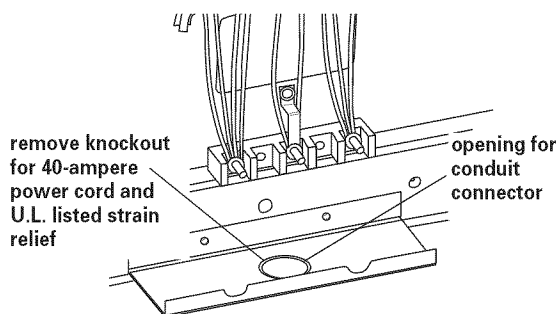


#### Electrical Shock Hazard

- Turn power supply off before connecting cord.
- Use a new 40-ampere power supply cord.
- Plug into a grounded outlet.
- Failure to follow these instructions can result in death, fire, or electrical shock.

WARNING - Improper connection of the equipment-grounding conductor can result in a risk of electric shock. Check with a qualified electrician or serviceman if you are in doubt as to whether the appliance is properly grounded. Do not modify the power supply cord plug. If it will not fit the outlet, have a proper outlet installed by a qualified electrician.

This range is manufactured with the neutral terminal connected to the cabinet. Use a three-wire, U.L.-listed, 40-ampere power supply cord (pigtail); or if local codes Do Not permit ground through the neutral, use a four-wire power supply cord rated at 250 volts, 40-amperes and investigated for use with ranges. (See "Four-wire electrical connection.")



1. Disconnect the power supply.
2. Remove the knockout for the 40-ampere power supply cord.
3. Assemble a U.L.-listed strain relief in the opening.
4. Insert the power supply cord through the strain relief, allowing enough slack to easily attach the wiring to the terminal block.
5. Use only ring-type terminals to connect the power supply. To secure the power supply cord, use the 3/8" brass terminal nuts attached to the inside of the terminal block cover. Be sure nuts are installed tight.
6. Complete electrical connection according to your type electrical supply ("Three-wire electrical connection" or "Four-wire electrical connection.")

### Four-wire electrical connection:

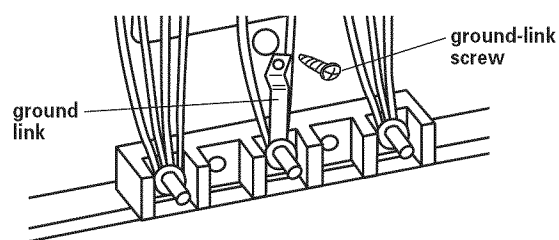


Figure 4

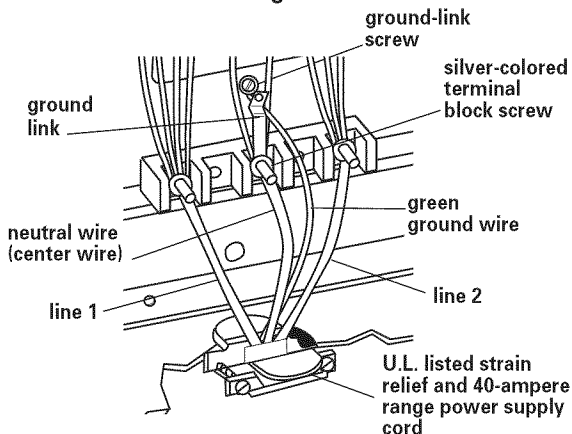


Figure 5

Use this method for mobile homes and whenever four-wire installation is required.

7. Remove the ground-link screw from the range frame. Save the ground-link screw. Bend up the ground link so that it does not contact the range. See Figure 4.
8. Connect the green ground wire from power supply cord to the range using the ground-link screw. **The ground wire must be attached first and must not contact any other terminal.** See Figure 5.
9. Connect the neutral wire (center wire) to the center, silver-colored terminal screw on the terminal block using the brass terminal nuts that are attached to the inside of the terminal block cover. See Figure 5.
10. Connect the other two wires to the outer terminals on the terminal block. See Figure 5.
11. **Do Not loosen the factory-installed nuts already on the terminal.** Tighten nuts with 3/8" nut driver for proper electrical connection.
12. Tighten the strain relief screws.
13. Replace the terminal block cover.
14. Plug power supply cord into grounded electrical outlet.

### Three-wire electrical connection:

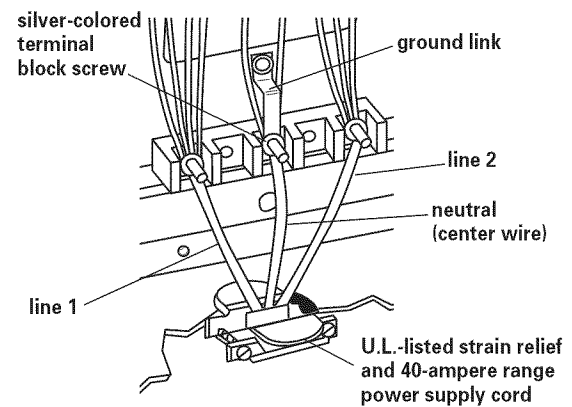


Figure 3

Use this method **ONLY** if local codes PERMIT connecting cabinet-ground conductor to neutral wire of power supply cord.

7. Use the brass terminal nuts attached to the inside of the terminal block cover to connect the neutral wire (center wire) to the silver-colored terminal screw on the terminal block. See Figure 3.
8. Connect the other two wires to outer terminal screws on the terminal block. See Figure 3.
9. **Do Not loosen factory-installed nuts already on the terminal.** Tighten nuts with 3/8" nut driver for proper electrical connection.
10. Tighten the strain relief screws.
11. Replace the terminal block cover.
12. Plug power supply cord into grounded electrical outlet.



## Direct wire method:

### ⚠ WARNING



#### Electrical Shock Hazard

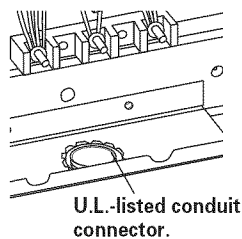
Turn power supply off before connecting wires.

Use 8-gauge solid copper wire.

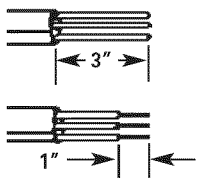
Electrically ground range.

Failure to follow these instructions can result in death, fire, or electrical shock.

This range may be connected directly to the fuse disconnect or circuit breaker box; or with a U.L.-listed, 40-ampere range power supply cable. Depending on your electrical supply, make the required three-wire or four-wire connection.

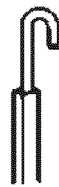


1. Disconnect the power supply.
2. Remove the knockout for the power supply cable.
3. Assemble a U.L.-listed conduit connector in the power supply cable opening.



4. Strip outer covering back 3 inches from end, exposing wires. Strip the insulation back 1 inch from the end of each wire.

5. Form the bare wire into a "U"-shaped hook.
6. Insert the power supply cable through the conduit connector, allowing enough slack to easily attach the wiring terminal block.
7. Complete electrical connection according to your type electrical supply ("Three-wire electrical connection" or "Four-wire electrical connection.")



### Four-wire electrical connection:

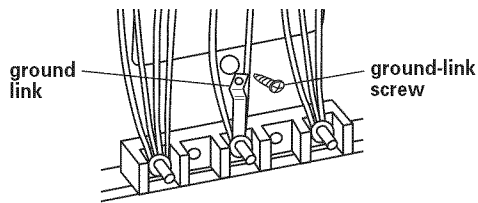


Figure 7

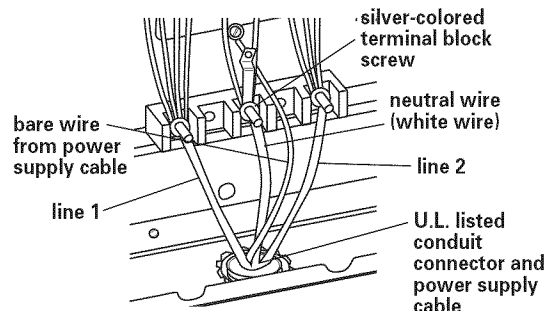


Figure 8

Use this method for mobile homes and whenever four-wire installation is required.

8. Remove the ground-link screw from the range frame. Save the ground-link screw. Bend up the ground link so that it does not contact the range. See Figure 7.
9. Connect the bare ground wire from power supply cable to the range using the ground-link screw. **The ground wire must be attached first and must not contact any other terminal.** See Figure 8.

10. Connect the neutral wire (white wire) to the center, silver-colored terminal screw on the terminal block using the brass terminal nuts that are attached to the inside of the terminal block cover. See Figure 8.
11. Connect the other two wires to the outer terminals on the terminal block. See Figure 8.
12. **Do NOT loosen the factory-installed nuts already on the terminal.** Tighten nuts with 3/8" nut driver for proper electrical connection.
13. Tighten the locking ring and clamping screws of the conduit connector.
14. Replace the terminal block cover.

### Three-wire electrical connection:

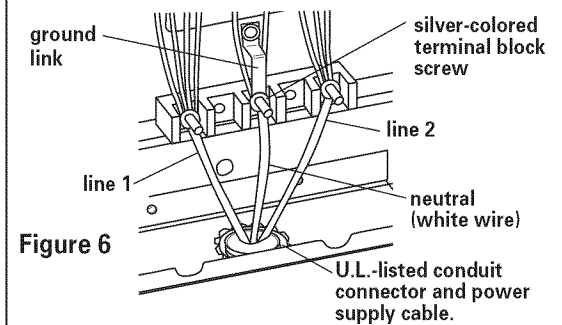


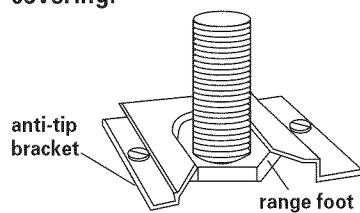
Figure 6

Use this method ONLY if local codes PERMIT connecting cabinet-ground conductor to neutral wire of power supply cable.

8. Use the brass terminal nuts attached to the inside of the terminal block cover to connect the neutral wire (white wire) to the silver-colored terminal screw on the terminal block. See Figure 6.
9. Connect the other two wires to outer terminal screws on the terminal block. See Figure 6.
10. **Do Not loosen factory-installed nuts already on the terminal.** Tighten nuts with 3/8" nut driver for proper electrical connection.
11. Tighten the locking ring and clamping screws of the conduit connector.
12. Replace the terminal block cover.

## D Operating position

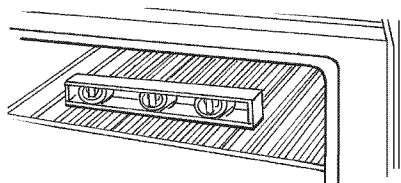
Before moving range across floor, check that range is still on cardboard shipping base to protect floor covering.



### 8. Making sure the anti-tip bracket is installed:

- Look for the anti-tip bracket securely attached to floor.
- Slide range back so rear range foot is under anti-tip bracket.

9. If installing the range in a mobile home, you MUST secure the range to the floor. Any method of securing the range is adequate as long as it conforms to the standards in the "Mobile home installation" instructions, Page 2.



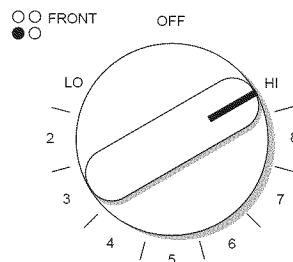
10. Place rack in oven. Place level on rack, first side to side; then front to back.

If range is not level, pull range forward until rear leveling leg is removed from the anti-tip bracket. Use 3/8" drive ratchet and channel lock pliers to adjust leveling legs up or down until range is level. Push range back into position. Check that rear leveling leg is engaged in anti-tip bracket.

**Note: Oven must be level for satisfactory baking conditions.**

11. Replace the storage drawer or lower panel.

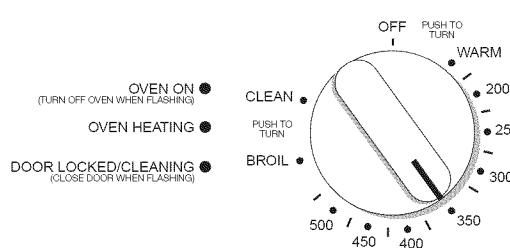
## E Check operation



12. Check the operation of the cooktop elements: Push in and turn each surface unit control knob to "HI" position. Check the operation of the cooktop elements and indicator lights.

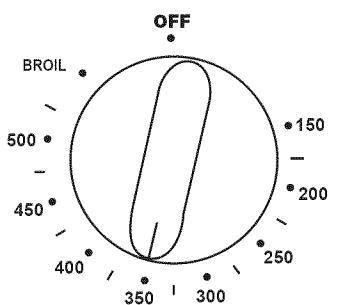
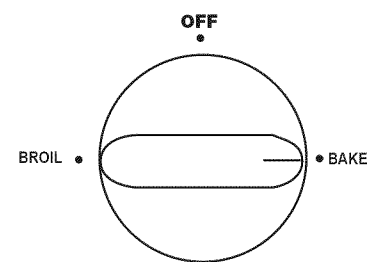
13. Check the operation of the oven and broil elements: Follow the instructions for your type oven controls.

### If your range has oven temperature control knob:



1. Set the oven temperature control to 350°F.
  - The bottom element should glow red and the "OVEN ON" and "OVEN HEATING" indicator lights should be on.
  - The upper element should become hot but not glow red. The "OVEN HEATING" indicator light goes off when the oven is preheated.
2. Set the oven temperature control to "BROIL."
  - The upper element should glow red and the "OVEN ON" and "OVEN HEATING" indicator lights should be on.
3. Turn the control knob to the "OFF" position.

### If your range has oven selector and temperature control knobs:



1. Set the oven selector control to "BAKE" and the oven temperature control to 350°.
  - The bottom element should glow red and the indicator light should be on.
  - The upper element should become hot but not glow red. The oven indicator light goes off when the oven is preheated.
2. Set the oven selector to "BROIL" and the oven temperature control to "BROIL".
  - The upper element should glow red and the indicator light should be on.
3. Turn the control knob to the "OFF" position.

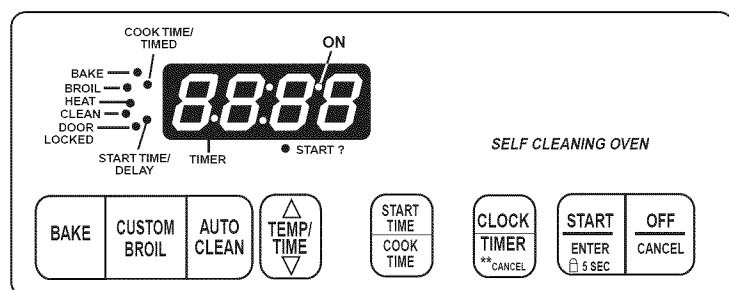
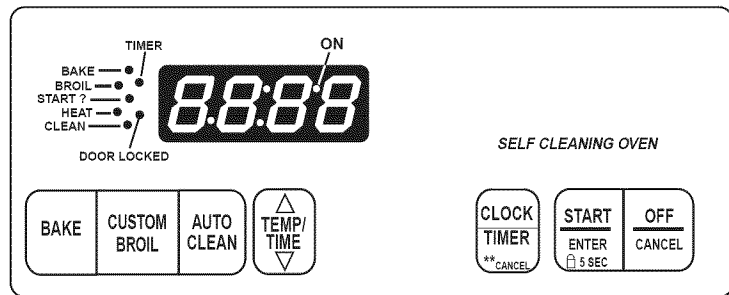
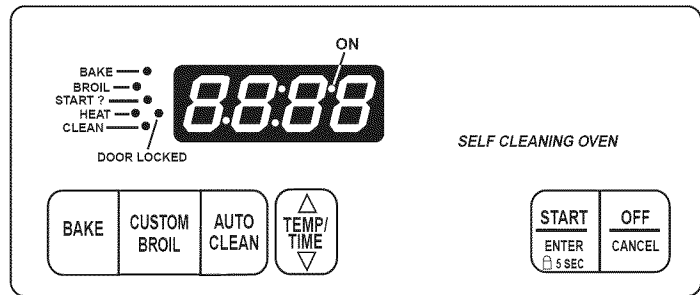
**If your oven has one of these three electronic control consoles:**

1. Press the "BAKE" pad.
  - The "BAKE" indicator will light.
  - "350" will appear in the display.
  - The "START ?" indicator will begin to flash after 5 seconds.
2. Press the START/ENTER pad.
  - The "HEAT" and "ON" indicators will light.
  - The display will show the automatic countdown time (6 minutes) needed to preheat the oven for selected temperature.
  - The bottom element should glow red.
  - The upper element should become hot, but not glow red.

The oven is preheated when the "HEAT" indicator light goes off, you hear a 1-second tone and the countdown changes to "350".

\* Note: BAKE PREHEAT mode will not become active if oven temperature is over 170°F; instead, the BAKE mode immediately becomes active.

3. Press the "OFF/CANCEL" pad.
4. Press the "CUSTOM BROIL" pad.
  - "500" will appear in the display.
  - The "BROIL" indicator will light.
  - The "START ?" indicator will begin to flash after 5 seconds.
5. Press the "START/ENTER" pad.
  - The "ON" and "HEAT" indicators will light.
  - The upper element should glow red.
6. Press the "OFF/CANCEL" pad.



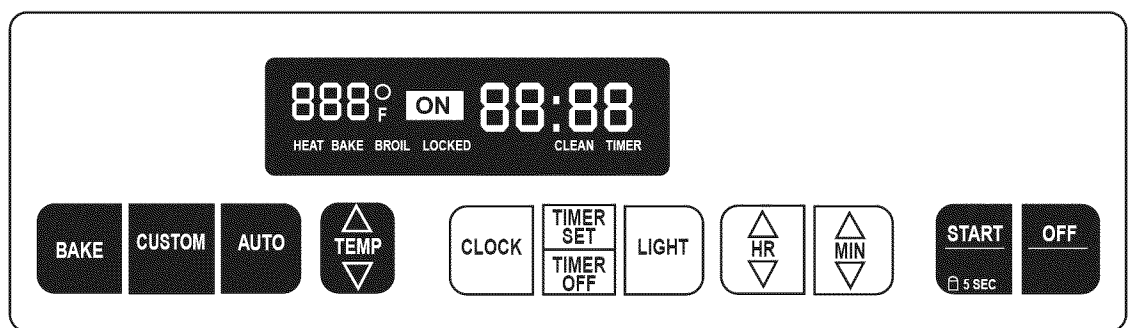
**If your oven has this electronic control console and a timer:**

1. Press the "BAKE" pad.
  - The "BAKE" indicator will light.
  - "350°F" will appear in the display.
2. Press the START/ENTER pad.
  - "PrE" and "4:15" will appear in the display.
  - "HEAT" and "ON" indicators will light.
  - The bottom element should glow red.
  - The upper element should become hot but not glow red.

The oven is preheated when the time in the display counts down to "0:00," you hear a 1-second tone, and "PrE" changes to "350°F."

3. Press the "OFF/CANCEL" pad.
4. Press the "CUSTOM BROIL" pad.
  - "500°F" will appear in the display.
  - "BROIL" indicator will light.

5. Press the "START/ENTER" pad.
  - "HEAT" and "ON" indicators will light.
  - The upper element should glow red.
6. Press the "OFF/CANCEL" pad.

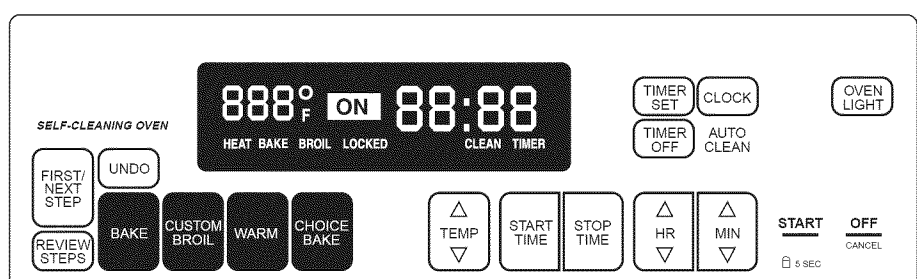
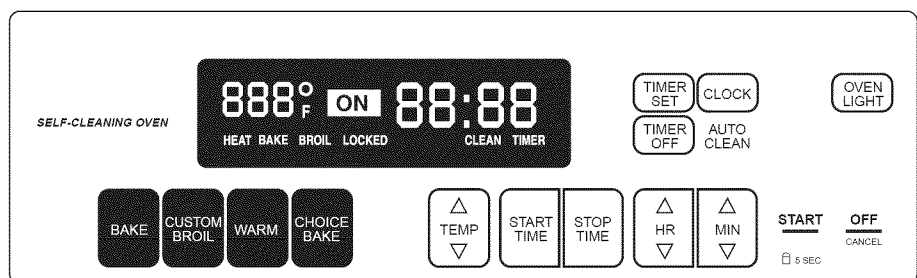
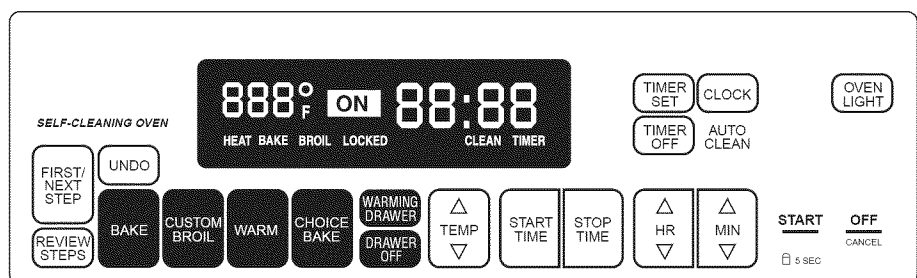


**If your oven has one of these three electronic control consoles and a timer:**

1. Press the "BAKE" pad.
  - The "BAKE" indicator will light.
  - "350°F" will appear in the display.
  - The "START ?" indicator will light after 5 seconds.
2. Press the START/ENTER pad.
  - "PrE" and the preheat countdown time will appear in the display.
  - "HEAT" and "ON" indicators will light.
  - The bottom element should glow red.
  - The upper element should become hot but not glow red.

The oven is preheated when the time in the display counts down to "0:00," you hear a 1-second tone, and "PrE" changes to "350°F."

3. Press the "OFF/CANCEL" pad.
4. Press the "CUSTOM BROIL" pad.
  - "500°F" will appear in the display.
  - "BROIL" indicator will light.
  - The "START ?" indicator will light after 5 seconds.
5. Press the "START/ENTER" pad.
  - "HEAT" and "ON" indicators will light.
  - The upper element should glow red.
6. Press the "OFF/CANCEL" pad.



**To get the most efficient use from your new electric range, read your Use and Care Guide. Keep Installation Instructions and Guide close to the electric range for easy reference.**

## If range does not operate:

- ✓ Check that the circuit breaker is not tripped or the house fuse blown.
- ✓ Check that the power supply cord is plugged into the wall receptacle.
- ✓ See Use and Care Guide for troubleshooting list.

## If you need assistance:

If you have questions about operating, cleaning or maintaining your range:

- ✓ Refer to Use and Care Guide.
- ✓ Call the Consumer Assistance Center. Check your Use and Care Guide for a toll-free number to call or call the dealer from whom you purchased this appliance. The dealer is listed in the Yellow Pages of your phone directory under "Appliances — Household — Major — Service and Repair."

## If you need service:

Maintain the quality built into your range by calling an authorized service company.

To obtain the name and number of the authorized service company:

- ✓ Contact the dealer from whom you purchased your range; or
- ✓ Look in the Yellow Pages of your telephone directory under "Appliances — Household — Major — Service and Repair;" or
- ✓ Call the Consumer Assistance Center. The toll-free number is listed in your Use and Care Guide.

When you call, you will need:

- ✓ The range model number.
- ✓ The range serial number.


Both numbers are listed on the model/serial rating plate located on the oven frame behind the storage drawer panel.

Part No. 8522958

© 2001 Whirlpool Corporation

## Moving the range:

**! WARNING**

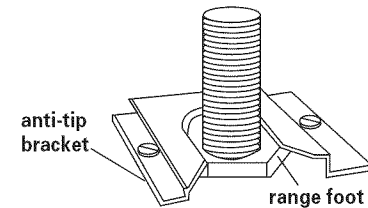


**Tip Over Hazard**  
**A child or adult can tip the range and be killed.**  
**Connect anti-tip bracket to rear range foot.**  
**Reconnect the anti-tip bracket, if the range is moved.**  
**Failure to follow these instructions can result in death or serious burns to children and adults.**

When moving range, slide range onto cardboard or hardboard to prevent damaging the floor covering.

If removing the range is necessary for cleaning or maintenance:

1. Disconnect the electrical supply. If necessary, pull the range out, away from the wall, just far enough to disconnect the power supply cord.
2. Slide range forward to complete cleaning or maintenance.



### 3. Making sure the anti-tip bracket is installed:

- Look for the anti-tip bracket securely attached to floor.
  - Slide range back so rear range foot is under anti-tip bracket.
4. Check that range is level.
  5. Reconnect the electrical supply. Reinstall storage drawer.