

**SEARS**  
OWNERS  
MANUAL

MODEL NO.  
919.162250

**IMPORTANT:**  
Read the Safety Guidelines  
and All Instructions  
Carefully Before Operating



CRAFTSMAN POWER WASHER

ASSEMBLY  
OPERATION  
MAINTENANCE  
REPAIR PARTS

Sears, Roebuck and Co., Chicago, IL 60684 U.S.A.

## TABLE OF CONTENTS

	Page
WARRANTY .....	3
SAFETY GUIDELINES .....	3
WARNING CHART .....	4
GLOSSARY .....	4
GENERAL INFORMATION .....	4
SPECIFICATION CHART .....	5
TOOLS NEEDED FOR ASSEMBLY .....	5
OPERATING THE CONTROLS .....	6
Air Control Knob .....	6
Water Control Knob .....	6
Soap/Chemical Control Knob .....	6
Foliage Nozzle .....	6
CONNECTING THE HOSES .....	7
Bleeder/Non-Bleeder Connector .....	7
Water Hose .....	7
Air Hose .....	7
Chemical Draw Hose .....	7
WASHING WITH THE POWER WASHER .....	8
SPRAYING FOLIAGE WITH THE POWER WASHER .....	8
DEGREASING WITH THE POWER WASHER .....	9
CLEANING AND STORAGE .....	9
TROUBLE SHOOTING GUIDE .....	10
POWER WASHER DIAGRAM .....	11
Parts List .....	11
ORDERING REPAIR PARTS .....	12

## **FULL ONE YEAR WARRANTY ON CRAFTSMAN POWER WASHER**

If this Power Washer fails due to a defect in material or workmanship within one year from the date of purchase, RETURN IT TO THE NEAREST SEARS SERVICE CENTER/DEPARTMENT THROUGHOUT THE UNITED STATES AND SEARS WILL REPAIR IT, FREE OF CHARGE.

If this Power Washer is used for commercial or rental purposes, the warranty will apply for ninety days from the date of purchase.

This warranty gives you specific legal rights and you may have other rights that vary from state to state.

**Sears, Roebuck and Co., Sears Tower, Dept. 698/731A, Chicago, IL 60684**

## **SAFETY GUIDELINES**

This manual contains information that is important for you to know and understand. This information relates to your safety and preventing equipment problems. To help you recognize this information, we use the following symbols. Please read the manual and pay attention to those sections.

### **WARNING**

**IMPORTANT SAFETY INFORMATION - A HAZARD THAT MIGHT CAUSE SERIOUS INJURY OR LOSS OF LIFE.**

### **CAUTION**

**Information for preventing damage to equipment.**

### **NOTE**

**information that you should pay special attention to.**

## WARNING

PLEASE READ THE FOLLOWING CHART.

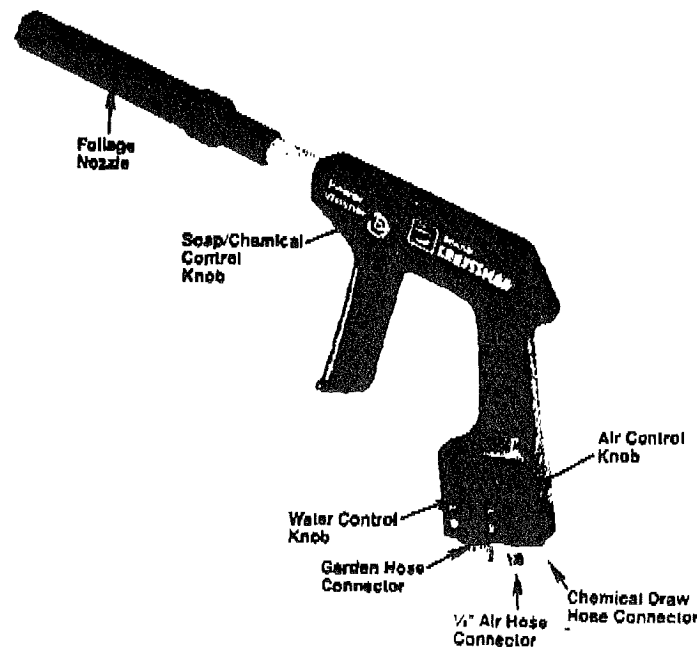
WHAT TO LOOK FOR	WHAT COULD HAPPEN	HOW TO PREVENT IT
Air and liquid under pressure	Risk of eye injury from air, water, chemicals, or dislodged dirt sprayed under pressure.	Wear safety goggles when operating the power washer.  Check for and remove debris that may be clogged in the nozzle.  Keep children and pets away from the spray area.  Never point the power washer toward a person or any part of the body.
Electrical equipment	Spraying electrical equipment or power cords with water can cause a risk of electrical shock.	Keep the air compressor and electric cords away from areas where water or liquids are sprayed.
Sprayed chemicals	Some chemicals may be toxic or irritating.	Read the safety label or instructions for every chemical you spray. Carefully follow all instructions regarding skin, eye and respiratory protection.
Equipment maintenance	Damaged air fittings, hose, electrical cords or plugs can break during use and cause a risk of injury.	Check all hoses, fittings, electrical cables and plugs before use. Repair or replace any damaged item.

## GLOSSARY

**SCFM:** (Standard Cubic Feet Per Minute;) a unit of measure of air delivery.

**PSIG:** Pounds per square inch gauge; a unit of measure of pressure.

## GENERAL INFORMATION



Congratulations on your purchase of a Sears Craftsman Power Washer! It is durable and versatile and will serve you for years to come. Your Power washer combines air pressure with water, detergent or degreaser to clean and degrease. It can also be used for spraying lawn, garden, trees or bushes. It has a unique nozzle that allows you to change from a direct, forceful blast to a light, foliage mist with a push or a pull.

A bleeder type connector has been supplied so that the power washer can be used with compressors that do not have a pressure relief valve or a pressure switch.

Your Power Washer is designed to spray in the following modes:

- Air only
- Water only
- Water & air only
- Air & chemicals together

It is not designed to mix water & chemicals internally. Chemicals should be diluted with water before entering the gun to achieve precise control of chemicals.

## SPECIFICATION CHART

---

Your Power Washer is intended for use with a ½ Horsepower or larger tank-type or tankless air compressors delivering at least 2.2 SCFM at 50 PSIG. The larger the air compressor used the more powerful your washer will be.

Minimum Air Pressure:	40 psig
Maximum Air Pressure:	175 psig
Minimum Water Pressure:	20 psig
Maximum Water Pressure:	100 psig
Maximum Water Temperature:	140°F
Maximum Chemical Draw Height:	10 feet

(maximum distance washer can be above the chemical container.)

Optimum Chemical Flow Rate in the Air/ Chemical Mode, with the air pressure setting between 75 and 125 PSIG:

Approx. 10 oz. per minute with a two foot draw height  
Approx. 7 oz. per minute with a five foot draw height

**NOTE:** Chemicals should have a viscosity (consistency or thickness) similar to water-dilute as necessary.

---

## TOOLS NEEDED FOR ASSEMBLY

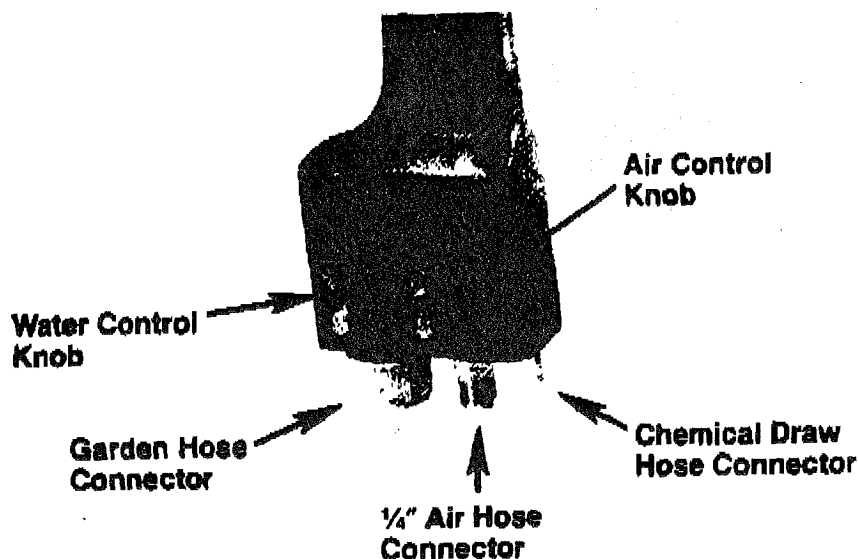
2 Wrenches: a ½" open end wrench for the Bleeder/ Non-bleeder connector and an adjustable wrench for the air hose.

All other parts on the power washer are tightened by hand.

## OPERATING THE CONTROLS

### CAUTION

Use moderate hand force when operating controls. Too much force could result in breakage of the controls.



### Air Control Knob

To turn "On": Push in the control knob and turn clockwise towards the "On" indicator.

To turn "Off": Push in and turn the control knob counterclockwise to the "Off" indicator.

Air flow can be adjusted between the "On" and "Off" positions.

### Water Control Knob

To turn "On": Push in the control knob and turn counterclockwise towards the "On" indicator.

To turn "Off": Push in and turn the control knob clockwise to the "Off" position.

Water flow can be adjusted between the "On" and "Off" positions.

### Soap/Chemical Control Knob

To turn "On": Turn the knob counterclockwise. The knob can be turned counterclockwise 2½ turns only. More than 2½ turns may cause erratic flow or stop soap/chemical flow.

To turn "Off": Turn the knob clockwise.

Soap/chemical flow can be varied by adjusting the control knob. When Beginning to spray in the soap/chemical mode, turn the knob gradually until you achieve the flow rate you desire.

### Foliage Nozzle

To spray foliage, push the nozzle out to get a light, mist spray. You can control the mist pattern by pulling the nozzle in slightly.

For washing and degreasing, pull the nozzle all the way in towards the handle.

## CONNECTING THE HOSES

### Bleeder/Non-Bleeder Connector

The power washer comes equipped with an air hose connector that is designed for use with air compressors having a pressure relief valve or a pressure switch.

Some small, limited capacity compressors do not have a pressure relief valve or a pressure switch. In this situation, a bleeder type air hose connector is required. One has been supplied with your power washer and is located at the end of the 10' chemical draw hose. It is identical to the non-bleeder connector, except for a tiny hole located on its side. This hole will relieve excess air pressure.

To install the bleeder type connector

1. Using a  $\frac{3}{8}$ " open end wrench, unscrew the non-bleeder connector located at the base of the power washer, (middle fitting).
2. Remove the bleeder connector from the end of the chemical draw hose.
3. Remove the "O" ring from the non-bleeder connector and install it on the bleeder connector.

#### CAUTION

The plastic threads in the base of the power washer can be damaged by cross threading or over-tightening. Do not overtighten.

4. Screw the bleeder connector into the base of the power washer. Tighten gently using a  $\frac{3}{8}$ " open end wrench.
5. Slip the non-bleeder connector onto the end of the chemical draw hose, where it will serve as a weight.

### Water Hose

Connect your garden hose to the Water Connector. Tighten by hand.

### Air Hose

#### CAUTION

To tighten or loosen an air hose to this connector you must use two wrenches or you could damage the plastic threads on the base of the power washer.

Using a  $\frac{3}{4}$ " open end wrench, hold the air hose connector. Connect your air hose and tighten the hose with an adjustable wrench. Do not overtighten.

### Chemical Draw Hose

#### CAUTION

Never apply air pressure to the Chemical Draw Hose Connector. Doing so could damage the power washer.

Attach the chemical draw hose to the chemical draw hose connector. Simply slip the hose over the connector with your hand.

#### CAUTION

The chemical draw hose connector is designed for hand application of soft, flexible hoses. Do not use any type of hose clamp or adhesive.

## WASHING WITH THE POWER WASHER

The Power Washer works best using Sears specially formulated concentrated detergent, 9-16420, which can be purchased in the Sears hardware department or from the Sears general catalog. Follow the directions supplied with the detergent for the proper water/detergent mix ratio.

Most common household detergents are not formulated and concentrated for use in your Power Washer. They are too heavy or thick to pass through your Power Washer and if they are diluted with water, they lose their cleaning efficiency.

**NOTE:** If you do not use Sears detergent, 9-16420, be sure the detergent you do use is specially formulated and concentrated for use with this type of equipment. Mix the chosen detergent with water (1 part detergent to 8 parts water) to reduce the viscosity (consistency or thickness) of the mixture.

1. Prepare a mixture of detergent in a 1-gallon plastic bucket or suitable container.
2. Attach the garden hose (cold or warm water), air hose, and chemical draw hose to the power washer. Place the free end of the chemical draw hose into the detergent/water mixture.
3. For best performance, set your compressor to the maximum pressure available from your air compressor not to exceed 175 psig. Be sure the air and water controls on the power washer are in the "Off" position.
4. Turn the water source fully on and turn on your air compressor.
5. Begin the washing procedure by adjusting the air control knob and the soap/chemical control knob until they begin spraying the solution onto the surface to be washed. The water knob should be OFF. Continue spraying until the surface is completely covered with the solution.
6. To stop spraying, turn the soap/chemical control knob and the air control knob to the "Off" position.
7. Let the soap remain on the surface for about 30 seconds. A certain amount of wiping will be required for most types of foreign matter.
8. Fully open both the air and water control knobs.
9. Rinse the soap and dirt from the surface you are washing.

## SPRAYING FOLIAGE WITH THE POWER WASHER

### WARNING

MANY CHEMICALS ARE TOXIC OR IRRITATING. READ THE SAFETY LABEL OR INSTRUCTIONS FOR EVERY CHEMICAL YOU SPRAY. CAREFULLY FOLLOW ALL INSTRUCTIONS REGARDING SKIN, EYE AND RESPIRATORY PROTECTION.

1. Prepare a mixture of chemical and water in a 1-gallon bucket or suitable container. Carefully follow the directions on the chemical container for the proper water/chemical ratio.
2. Attach the chemical draw hose and the air hose to the Power Washer. Place the free end of the chemical draw hose into the chemical/water mixture.
3. DO NOT attach a hose to the garden hose connector for foliage spraying. Be sure the water control knob is in the "Off" position.
4. For optimum performance set your air compressor pressure between 75 and 125 psig. Be sure the air control knob is in the "Off" position.
5. Extend the Foliage Nozzle out as far as it will go.
6. Turn on the air compressor.
7. Begin the spraying procedure by adjusting the air control knob and the soap/chemical control knob until you are spraying a mist. You may vary the mist pattern by pulling the foliage nozzle in slightly.
8. To stop spraying, turn the air control knob and the soap/chemical control knob to the "Off" position.



## DEGREASING WITH THE POWER WASHER

The Power Washer works best using Sears specially formulated concentrated degreaser, 9-16421, which can be purchased in the Sears hardware department or from the Sears general catalog. Follow the directions supplied with the degreaser for the proper water/degreaser mix ratio.

Most common household degreasers, are not formulated and concentrated for use in your Power Washer. They are too heavy or thick to pass through your Power Washer and if they are diluted with water, they lose their degreasing efficiency.

**NOTE:** If you do not use Sears degreaser, 9-16421, be sure the degreaser you do use is specially formulated and concentrated for use with this type of equipment. Mix the chosen degreaser with water (1 part degreaser to 4 parts water) to reduce the viscosity (consistency or thickness) of the mixture.

### CAUTION

Do not clean a hot engine. Engine block can crack or other damage can occur. Wait until the engine has cooled at least one hour. Cover the battery and carburetor throat when you clean the engine.

1. Prepare a mixture of degreaser in a 1-gallon plastic bucket or suitable container.
2. Attach the garden hose (cold or warm water), air hose, and chemical draw hose to the Power Washer. Place the free end of the chemical draw hose into the degreaser/water mixture.
3. For best degreasing performance, set your air compressor to the maximum pressure available from your compressor not to exceed 175 psig. Be sure the air and water controls on the power washer are in the "Off" position.
4. Turn on your air compressor.
5. Begin the degreasing procedure by adjusting the air control knob and the soap/chemical control knob until they begin spraying the solution. The water knob should be OFF. Continue spraying until the surface is completely covered with the solution.
6. To stop spraying, turn the soap/chemical control knob and the air control knob to the "Off" position.
7. Let the degreaser solution remain on the surface for about 30 seconds. A certain amount of wiping will be required for most types of foreign matter.
8. Fully open both the air and water control knobs.
9. Rinse the degreaser solution and dirt from the surface you are degreasing.

## CLEANING AND STORAGE

Clean the exterior of the power washer and draw hose with a damp cloth, soap and water.

Fill a container with clean water, insert the free end of the chemical draw hose into the water & rinse the internal system.

Disconnect all hoses from the power washer. Store the

power washer away from open flames and heat.

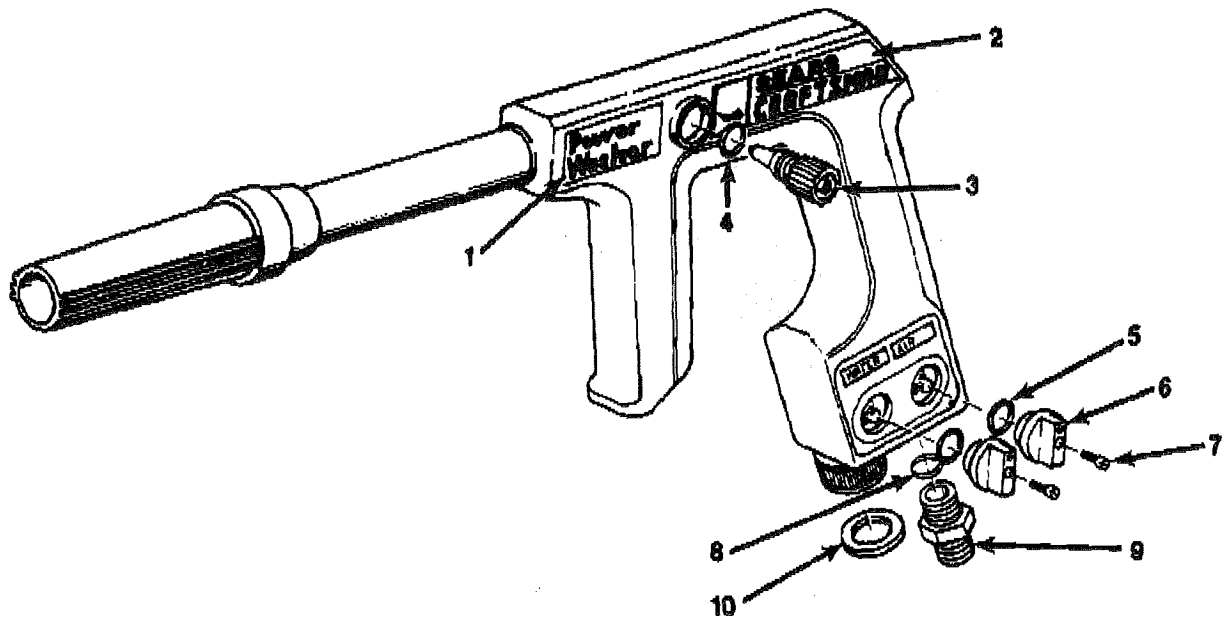
To prevent freezing in cold weather, make sure all liquids are drained from your power washer before storage.

Store with the air, water and chemical control knobs in the open or "ON" position. Hang vertically with the foliage nozzle down.

## TROUBLE SHOOTING GUIDE

PROBLEM	CAUSE	CORRECTION
1. Doesn't draw chemical/detergent like it should	<ul style="list-style-type: none"> <li>• Chemical control knob not open far enough or too far open</li> <li>• Chemical/detergent not thinned enough</li> <li>• Chemical/detergent not proper type for suction use.</li> <li>• Water control knob "ON"</li> </ul>	<ul style="list-style-type: none"> <li>• Open knob gradually until you achieve desired flow rate (2½ turns maximum)</li> <li>• Add water to thin the solution</li> <li>• Use Sears special cleaner/degreaser</li> <li>• Turn water control knob "OFF" Only air and chemical Control knobs should be "ON"</li> </ul>
2. Sputters when spraying chemical/detergent	<ul style="list-style-type: none"> <li>• Chemical control knob open too far</li> </ul>	<ul style="list-style-type: none"> <li>• Close knob until sputter stops</li> </ul>
3. Not enough spray force	<ul style="list-style-type: none"> <li>• Water and/or air pressure too low</li> <li>• Water and air control knobs not fully open</li> <li>• Surface heavily soiled</li> </ul>	<ul style="list-style-type: none"> <li>• Use Maximum water and air pressure available (not to exceed 175 psig)</li> <li>• Open both knobs fully</li> <li>• Scrub surface with rag or sponge to loosen dirt then rinse with air and water control knobs "ON"</li> </ul>
4. Chemical/detergent doesn't combine with water pressure inside of power washer	<ul style="list-style-type: none"> <li>• Power Washer is not designed to do this</li> </ul>	<ul style="list-style-type: none"> <li>• To Wash or spray chemically use chemical and air control knobs ON only. To Rinse, use water and air control knobs ON only.</li> </ul>

# POWER WASHER DIAGRAM



## PARTS LIST

KEY NO.	PART NUMBER	DESCRIPTION
1	LA-1880	"Power Washer" label
2	LA-1881	"Sears Craftsman" label
3	SPW-18	Soap/Chemical Control Knob
4	SSG-8112 <i>2, 4, 5</i>	"O"-Ring
5	SSG-8141	"O"-Ring (2 used)
6	SPW-12	Knobs (2 used)
7	SSF-1319-ZN	Screw (2 used)
8	SSG-8081	"O"-Ring
9	-SPW-28	Non-Bleeder Connector
10	SSG-1403	Gasket
	NOT ILLUSTRATED	
	SPW-29	Bleeder Connector
	SPW-26	10' Chemical Draw Hose

# **SEARS**

## **OWNERS MANUAL**

### **SERVICE**

### **MODEL NO. 919.162250**

### **HOW TO ORDER REPAIR PARTS**

## **CRAFTSMAN POWER WASHER**

Now that you have purchased your Sears Power Washer, should a need ever exist for repair parts or service, simply contact any Sears Service Center and most Sears, Roebuck and Co. stores. Be sure to provide all pertinent facts when you call or visit.

The model number of your Sears Power Washer is 919.162250. This number can be found stamped into the handle.

**WHEN ORDERING REPAIR PARTS, ALWAYS GIVE THE FOLLOWING INFORMATION:**

- PART NUMBER
- PART DESCRIPTION
- MODEL NUMBER
- NAME OF ITEM

All parts listed may be ordered from any Sears Service Center and most Sears stores.

If the parts you need are not stocked locally, your order will be electronically transmitted to a Sears Repair Parts Distribution Center for handling.

**Sears, Roebuck and Co., Chicago, IL 60684 U.S.A.**