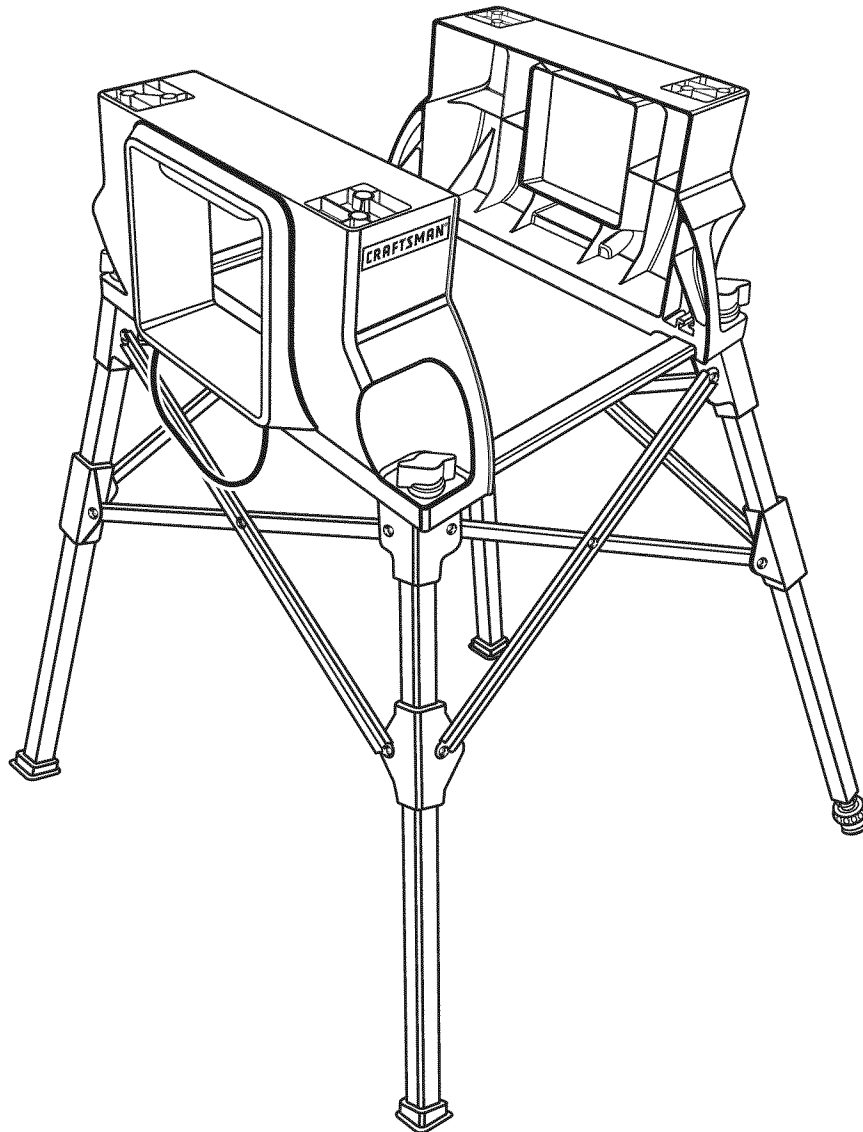


OPERATOR'S MANUAL



STAND-n-STOW™ CABINET WITH LEG STAND

Model No.
315.223400



WARNING: To reduce the risk of injury, the user must read and understand the operator's manual before using this product.

Customer Help Line: 1-800-932-3188

Sears, Roebuck and Co., 3333 Beverly Rd., Hoffman Estates, IL 60179 USA
Visit the Craftsman web page: www.sears.com/craftsman

987000-214
12-04-07 (REV:01)

Save this manual for future reference

RULES FOR SAFE OPERATION

⚠ WARNING: Read and understand all instructions. Failure to follow all instructions listed below may result in electric shock, fire, and/or serious personal injury.

Safe operation of this accessory requires that you read and understand this operator's manual, the operator's manual for the miter saw, and all labels affixed to the tool.

SAVE THESE INSTRUCTIONS

READ ALL INSTRUCTIONS

- **KNOW YOUR ACCESSORY.** Read the operator's manual carefully. Learn the applications and limitations as well as the specific potential hazards related to this tool.

ASSEMBLY

ASSEMBLING THE STAND-n-STOW™ CABINET

See Figure 1.

This product requires assembly.

- Insert the supplied lock nut into the hex nut pocket.
- Align the reinforcement plate holes with the tab on the bottom of the base and the screw hole in the base.
- Place supplied washer and lock washer onto the supplied screw.
- Insert screw into the hole in the base.
- Turn clockwise to tighten screw.
- Repeat above steps until all four screws have been inserted and tightened into base and both reinforcement plates are installed.

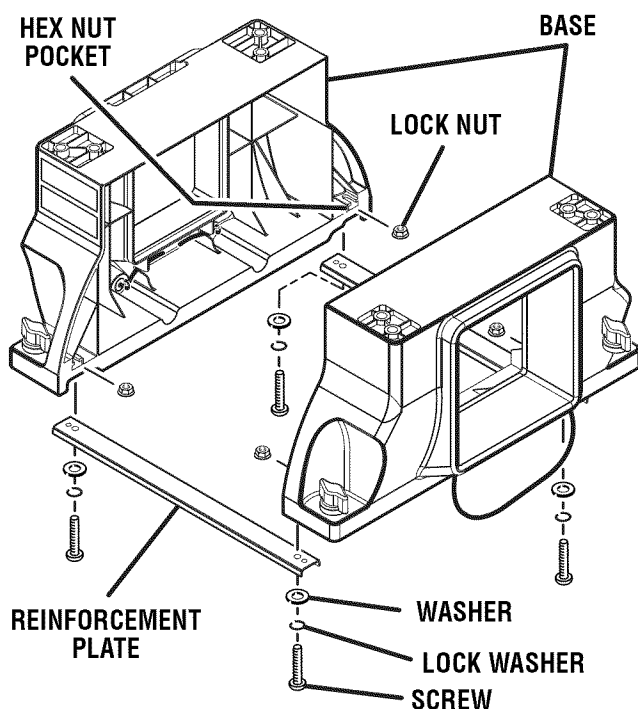


Fig. 1

MOUNTING THE STAND-n-STOW™ CABINET BASE TO THE LEG STAND

See Figures 2 - 4.

When the leg stand and Stand-n-Stow™ cabinet are not in use, the leg stand can be folded up and placed in the leg stand storage area as indicated in figure 4.

- Place the leg stand on the floor then open the leg stand by pushing opposite legs in opposite directions as indicated by the arrows in figure 2.
- Place the Stand-n-Stow™ cabinet on the leg stand. Align the slots in the miter saw base with the slots on the top of the leg stand.
- Insert the tab on the Stand-n-Stow™ cabinet locking knob into the slot on the leg stand.
- Turn the locking knob clockwise to secure the Stand-n-Stow™ cabinet to the leg stand.
- Repeat with the other three locking knobs.

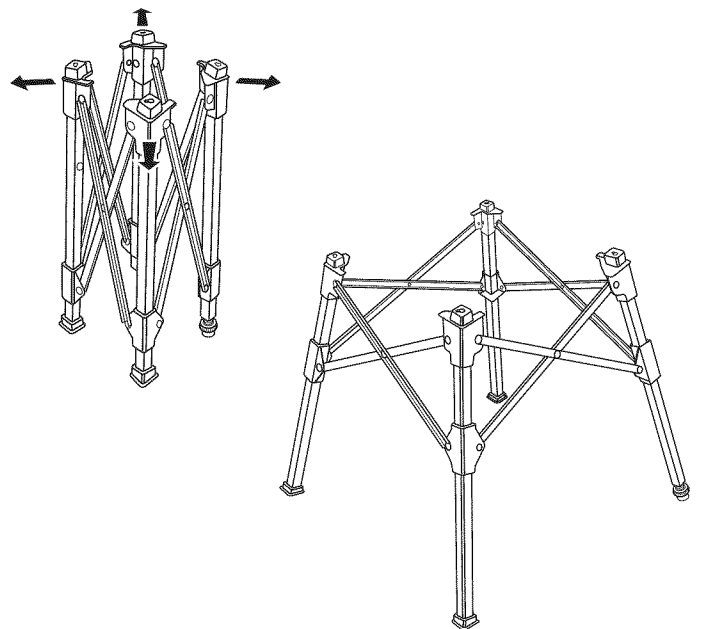


Fig. 2

ASSEMBLY

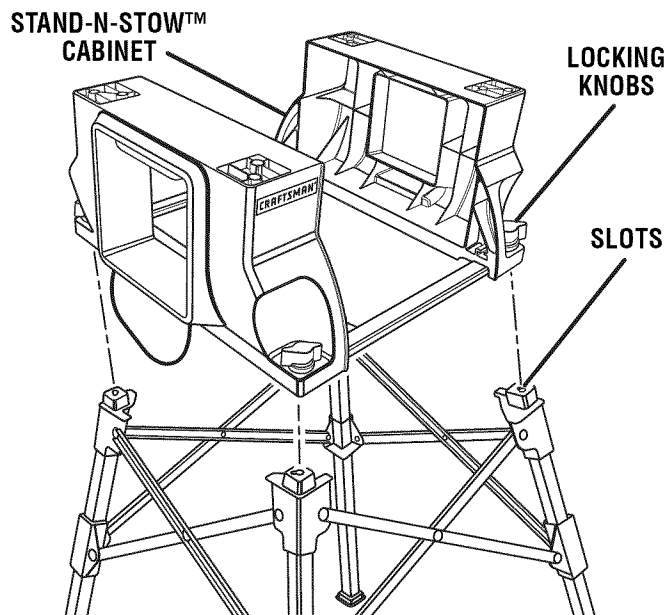


Fig. 3

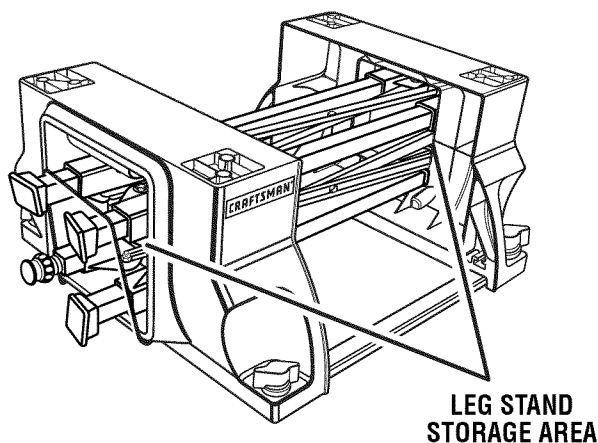


Fig. 4

TO MOUNT MITER SAW

See Figure 5.

- Insert the supplied 3/8 in. machine bolts through the holes in the miter saw base. Each of the four mounting holes should be bolted through the miter saw base securely using supplied 3/8 in. machine bolts, lock washers, and hex nuts as shown in figure 5.
- Tighten all four bolts securely.

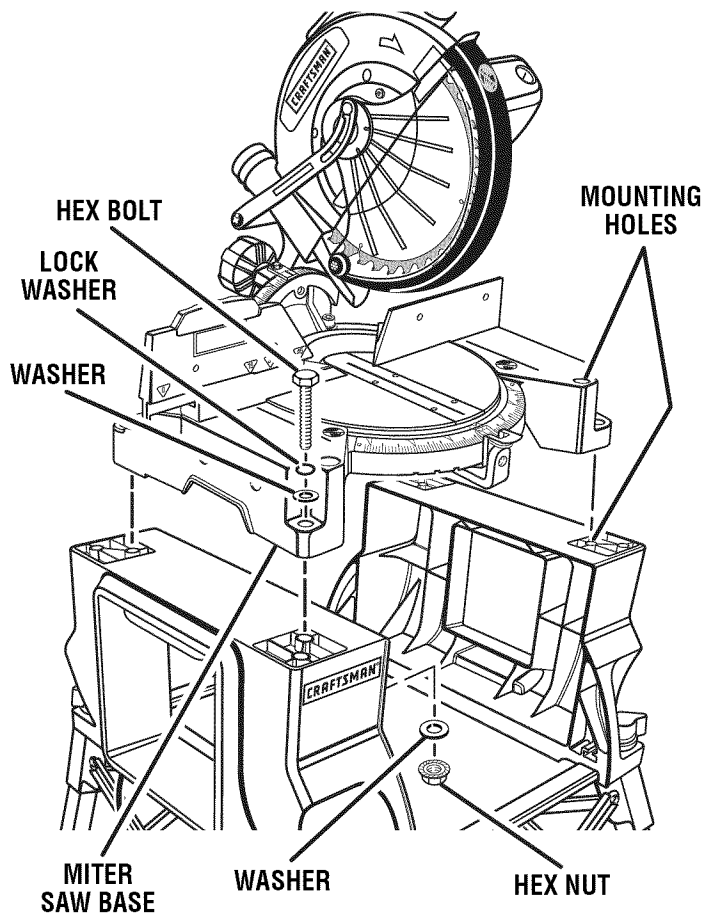


Fig. 5

MAKING A MOUNTING BOARD

When mounting a saw other than the 212340, 212380, or the 212010, create a mounting board (at least 3/4 in. thick plywood) to secure the miter saw to the leg stand.

To pre drill holes:

- With a pencil, mark holes on the mounting board where it will bolt to the Stand-n-Stow™ cabinet.
- Drill holes large enough to fit 3/8 in. machine bolts through both the mounting board and Stand-n-Stow™ cabinet.

To mount miter saw to mounting board:

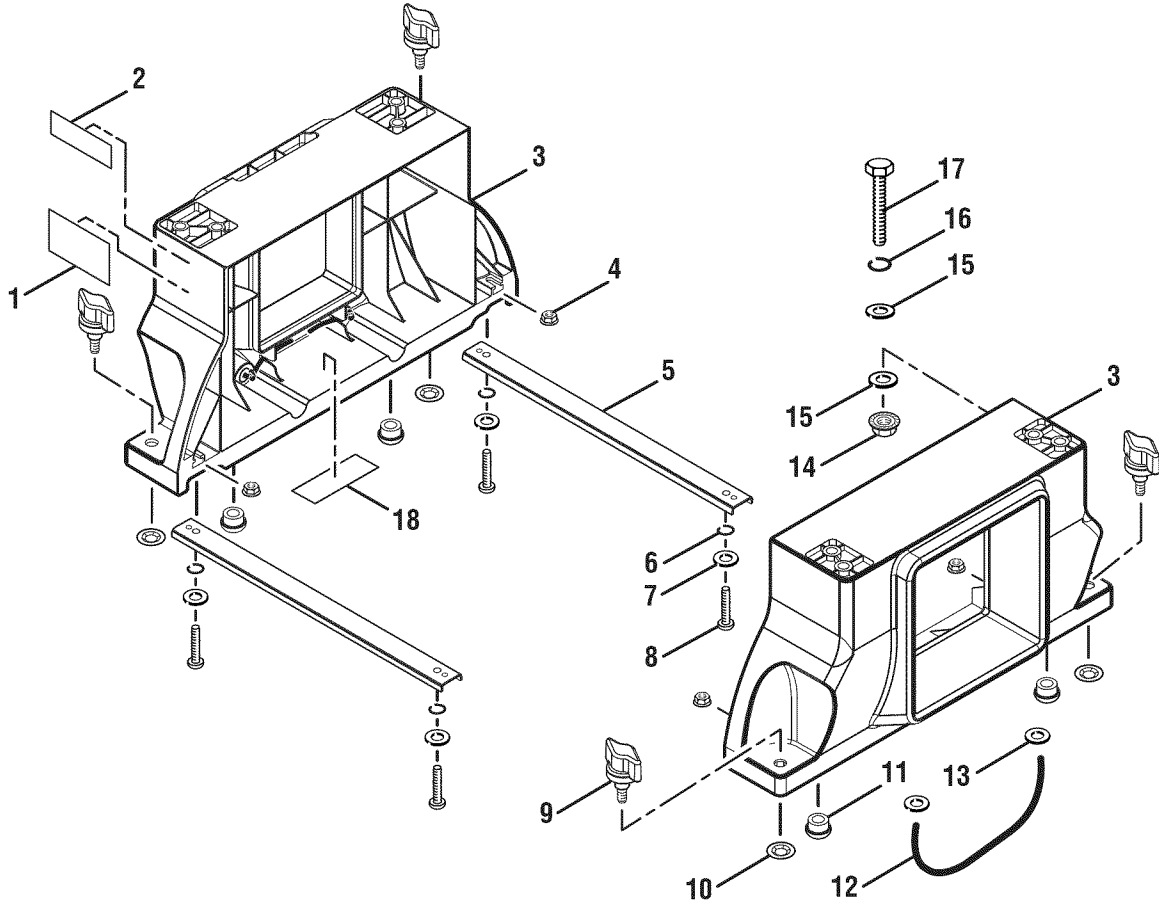
- Insert the 3/8 in. machine bolts through the holes in the miter saw base. Each of the four mounting holes should be bolted through the mounting board and through the miter saw base securely using 3/8 in. machine bolts, lock washers, and hex nuts (not included). Bolts should be of sufficient length to accommodate the miter saw base, lock washers, and the hex nuts.
- Tighten all four bolts securely.

Once the miter saw has been bolted to the mounting board, attach the mounting board and miter saw assembly to the Stand-n-Stow™ cabinet according to the steps as noted in the previous section, **Mounting the Stand-n-Stow™ Cabinet Base to the Leg Stand.**

CRAFTSMAN LEG STAND – 315.223400

The model number will be found on a plate attached to the miter saw base. Always mention the model number in all correspondence regarding your **LEG STAND** or when ordering repair parts.

SEE BACK PAGE FOR PARTS ORDERING INSTRUCTIONS



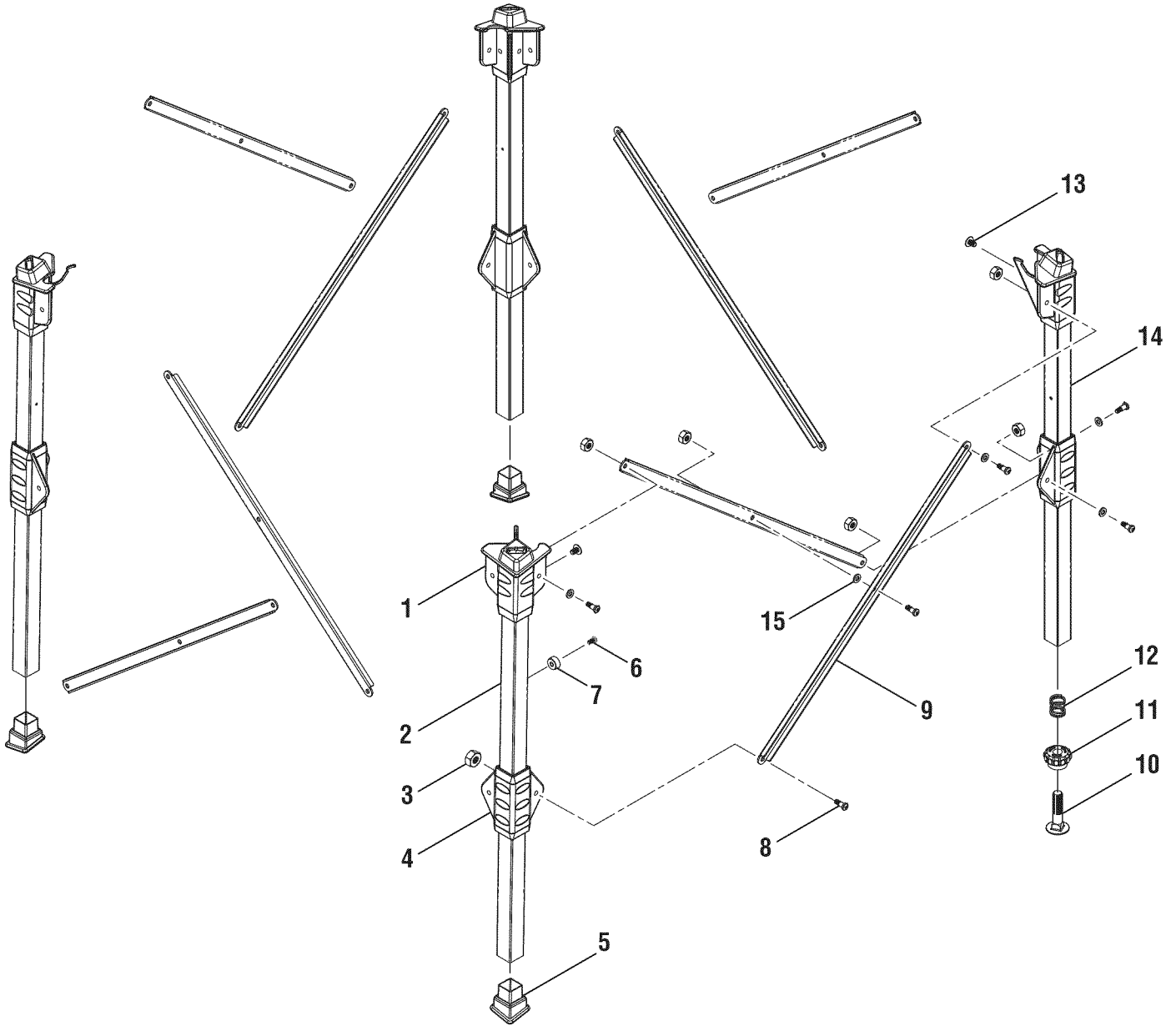
Key No.	Part Number	PARTS LIST Description	Qty.
1	000999007900	Warning Label.....	1
2	000999007008	Logo Label.....	1
3	000999007702	Stand-n-Stow™ Cabinet Assembly	2
4	411061001	* Lock Nut (M6)	4
5	000999007005	Reinforcement Plate	2
6	000999007012	Lock Washer (M6).....	4
7	000999007011	Washer.....	4
8	000999007013	* Screw (M6 x 25 mm).....	4
9	000999007002	Knob	4
10	411101702	* Push Nut (5/16 in.).....	4
11	0101040201	Pad	4
12	000999007007	Bungee Cord	2
13	412011067	Washer (M8 x 18 x 15t).....	4
14	000999007006	* Lock Nut (M10)	4
15	412011009	* Washer (D10.5 x D20 x 1.6t).....	8
16	412021002	* Lock Washer (M10).....	4
17	000999007001	* Hex Bolt (M10 x 75 mm).....	4
18	000999007901	Data Plate	1
19	000999007700	Stand-n-Stow™ Base Assembly (Includes Key Nos. 1-18).....	1

* Standard Hardware Item – May Be Purchased Locally

CRAFTSMAN LEG STAND – 315.223400

The model number will be found on a plate attached to the miter saw base. Always mention the model number in all correspondence regarding your **LEG STAND** or when ordering repair parts.

SEE BACK PAGE FOR PARTS ORDERING INSTRUCTIONS



* Standard Hardware Item – May Be Purchased Locally

CRAFTSMAN LEG STAND – 315.223400

The model number will be found on a plate attached to the miter saw base. Always mention the model number in all correspondence regarding your **LEG STAND** or when ordering repair parts.

SEE BACK PAGE FOR PARTS ORDERING INSTRUCTIONS

Key No.	Part Number	Description	Qty.
1	000999007009	Connector Bracket	4
2	0121010312-126	Leg Tube	3
3	411071003	Nylon Nut (M5).....	20
4	0121010205	Leg Adaptor	4
5	0121010213	End Plug	3
6	410191003	* Screw (M4 x 12 mm).....	1
7	0121010228	Ring	1
8	0121010804	Screw.....	20
9	0121010305-126	Linkage	8
10	410031012	* Carriage Bolt (M12 x 75 mm).....	1
11	0121010212	Front Level Adjusting Knob	1
12	0131010918	Spring	1
13	410451016	* Screw, Pan Hd. (M6 x 10 mm).....	4
14	0121010311-126	Leg Tube	1
15	0121010226	Linkage Ring.....	4
	000999007701	Leg Stand Assembly Incl. 1-15)	
	987000214	Operator's Manual	

* Standard Hardware Item – May Be Purchased Locally