

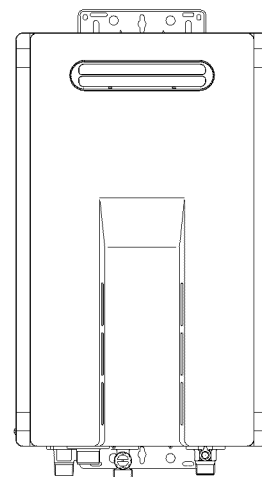
Owner's Manual



305 and 505 Models

Direct Vent Tankless Water Heaters

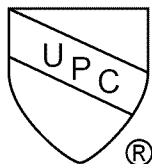
FOR OUTDOOR APPLICATIONS ONLY



MODEL NO.

154.330040	Natural Gas	305 Series
154.330050	Propane Gas	305 Series
154.330080	Natural Gas	505 Series
154.330090	Propane Gas	505 Series

- Safety Instructions
- Installation
- Operation
- Care and Maintenance
- Troubleshooting




For Your Safety

AN ODORANT IS ADDED TO THE GAS USED BY THIS WATER HEATER.

WARNING: If the information in these instructions is not followed exactly, a fire or explosion may result causing property damage, personal injury or death.

- Do not store or use gasoline or other flammable vapors and liquids in the vicinity of this or any other appliance.
- **WHAT TO DO IF YOU SMELL GAS:**
 - Do not try to light any appliance.
 - Do not touch any electrical switch; do not use any phone in your building.
 - Immediately call your gas supplier from a neighbor's phone. Follow the gas supplier's instructions.
 - If you cannot reach your gas supplier, call the fire department.
- Installation and service must be performed by a qualified installer, service agency or the gas supplier.



⚠ WARNING

Read and understand instruction manual and safety messages before installing, operating or servicing this water heater.

Failure to follow instructions and safety messages could result in death or serious injury.

Instruction manual must remain with water heater.

INSTALLER:

- AFFIX THESE INSTRUCTIONS TO OR ADJACENT TO THE WATER HEATER.

OWNER:






- RETAIN THESE INSTRUCTIONS AND WARRANTY FOR FUTURE REFERENCE. RETAIN THE ORIGINAL RECEIPT AS PROOF OF PURCHASE.

Sears, Roebuck and Co., Hoffman Estates, IL 60179 U.S.A

SAFE INSTALLATION, USE AND SERVICE

Your safety and the safety of others is extremely important in the installation, use and servicing of this water heater.

Many safety-related messages and instructions have been provided in this manual and on your own water heater to warn you and others of a potential injury hazard. Read and obey all safety messages and instructions throughout this manual. It is very important that the meaning of each safety message is understood by you and others who install, use or service this water heater.

	This is the safety alert symbol. It is used to alert you to potential personal injury hazards. Obey all safety messages that follow this symbol to avoid possible injury or death.
	DANGER indicates an imminently hazardous situation which, if not avoided, will result in death or injury.
	WARNING indicates a potentially hazardous situation which, if not avoided, could result in death or injury.
	CAUTION indicates a potentially hazardous situation which, if not avoided, could result in minor or moderate injury.
	CAUTION used without the safety alert symbol indicates a potentially hazardous situation which, if not avoided, could result in property damage.

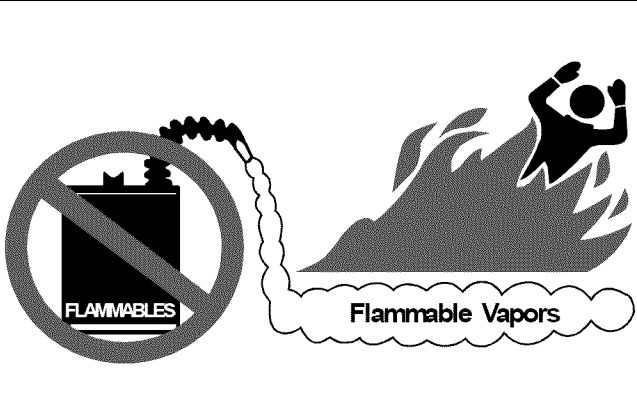
All safety messages will generally tell you about the type of hazard, what can happen if you do not follow the safety message and how to avoid the risk of injury.

The California Safe Drinking Water and Toxic Enforcement Act requires the Governor of California to publish a list of substances known to the State of California to cause cancer, birth defects, or other reproductive harm, and requires businesses to warn of potential exposure to such substances. **WARNING:** This product contains a chemical known to the State of California to cause cancer, birth defects, or other reproductive harm. This appliance can cause low-level exposure to some of the substances included in the Act.

IMPORTANT DEFINITIONS

- **Qualified Technician:** A qualified technician must have ability equivalent to a licensed tradesman in the fields of plumbing, air supply, venting, and gas supply, including a thorough understanding of the requirements of the National Fuel Gas Code as it relates to the installation of gas fired water heaters. The qualified technician must also have a thorough understanding of this instruction manual.
- **Service Agency:** A service agency also must have ability equivalent to a licensed tradesman in the fields of plumbing, air supply, venting and gas supply, including a thorough understanding of the requirements of the National Fuel Gas Code as it relates to the installation of gas fired water heaters. The service agency must also have a thorough understanding of this instruction manual, and be able to perform repairs strictly in accordance with the service guidelines provided by the manufacturer.
- **Gas Supplier:** The natural gas or propane utility or service who supplies gas for utilization by the gas burning appliances within this application. The gas supplier typically has responsibility for the inspection and code approval of gas piping up to and including the natural gas meter or propane storage tank of a building. Many gas suppliers also offer service and inspection of appliances within the building.

SAFETY PRECAUTIONS

 <p style="text-align: center;">Flammable Vapors</p>	<h2 style="text-align: center;">⚠️ WARNING</h2> <p style="text-align: center;">FIRE AND EXPLOSION HAZARD Can result in serious injury or death</p> <p>⚠️ Do not store or use gasoline or other flammable vapors and liquids in the vicinity of this or any other appliance. Storage of or use of gasoline or other flammable vapors or liquids in the vicinity of this or any other appliance can result in serious injury or death.</p>
<p>Read and follow water heater warnings and instructions.</p>	

Safety Behavior and Practices

WARNING

- Keep the area around the appliance clear and free from combustible materials, gasoline, and other flammable vapors and liquids.
- Do not use this appliance if any part has been under water. Immediately call a qualified service technician to inspect the appliance and to replace any part of the control system and any gas control which has been under water.
- Any alteration to the appliance or its controls can be dangerous and will void the warranty.
- Always check the water temperature before entering a shower or bath.

Safety Features

- **Overheat:** The appliance will automatically shut down when the appliance exceeds a predetermined temperature.
- **Flame Failure:** The appliance will automatically shut down if the burner flame is extinguished.
- **Power Failure:** The appliance will cut off the gas if it loses electrical power.
- **Power Surge Fuse:** A glass fuse protects against overcurrent. If the fuse blows then all indicator lamps will be off.
- **Fusible Link:** In case the overheat feature does not prevent the temperature from rising then the fusible link will break shutting off the appliance.

TABLE OF CONTENTS

Safe Installation, Use and Service	2	Sequence of Operation	22
Safety Precautions	2	Features Available on Temperature Controllers ..	22
Safety Behaviors and Practices.....	3	Temperature Adjustment	23
Safety Features.....	3	Temperature Options without a Temperature	
Table of Contents	4	Controller.....	24
Product Warranty	5	Temperature Ranges.....	24
Consumer Responsibilities	6	Setting the Controller to Mute	24
Product Specifications	7	Operating Your Water Heater	25
Dimensions	8	Maintenance	26
Technical Data	9	Cleaning	26
Pressure Drop Curve	9	Vent System	26
Outlet Flow Data	9	Motors	26
Installation Instructions	10	Temperature Controller.....	26
General Instructions.....	10	Lime/Scale Build-up	26
Clearances from Appliance.....	10	Snow Accumulation.....	26
Attachment of the Water Heater	11	Visual Inspection of Flame.....	26
Electrical Connection	11	Troubleshooting	27-30
Gas Supply	11	Error Code Table	27-28
General Instructions	11	Troubleshooting for Common Issues	29
Pipe Sizing Procedure - Example	12	Accessing Operating Information	29
Water Piping	13	Water Quality.....	29
General Instructions.....	13	Flushing the Heat Exchanger	
Pressure Relief Valve.....	13	(Error Code: LC or 00)	30
Freeze Protection.....	13-14	Wiring Diagram	31
Recommended Piping For Basic Installation.....	15	Service and Adjustment	32
Recommended Piping For		Repair Parts List.....	32
Circulation Systems	16	Kenmore Tankless Water Heater Accessories	32
Optional Piping For Circulation Systems	17	Notes	33-35
Venting Instructions	18		
Additional Clearances - Vent Terminal.....	19		
High Altitude Installations	20		
Connecting Multiple Water Heaters	20		
Temperature Controller Installation	21		
Location	21		
Configurations.....	21		
Cable Lengths And Size	21		
Mounting The Controller	21		
Description of Operation	22		
Operating Instructions	22		

PRODUCT WARRANTY

12 Year Limited Warranty on Heat Exchanger

For 12 years from the date of purchase, if this water heater is installed and operated in a single family home in accordance with the owner's manual instructions and all local codes, Sears will supply a free heat exchanger for one that develops a leak.

For the second through twelfth year from purchase date, you must pay the labor cost for installation of the heat exchanger

5 Year Limited Warranty on Parts

For 5 years from the date of purchase, if this water heater is installed and operated in a single family home in accordance with the owner's manual instructions and all local codes, if a part fails due to material or workmanship, Sears will supply a free replacement part.

1 Year Exclusive Kenmore Labor Warranty

For the first year from the date of purchase, Sears will, free of charge, supply and install new water heater parts for defective ones or a new heat exchanger for one that develops a leak.

Warranty Service

To obtain warranty service, call 1-800-4-MY-HOME® (1-800-469-4663). This warranty applies only while this product is in the United States.

For Commercial, institutional, industrial, or residential use by two or more families, the above limited warranty for heat exchanger leaks is effective for five years from date of purchase and the above parts warranty is effective for three years from the date of purchase.

This warranty gives you specific legal rights and you may also have other rights which vary from state to state.

SEARS, ROEBUCK AND CO., Dept.817WA, Hoffman Estates, IL 60179

The price of your water heater does not include a free checkup service call. On water heater installations arranged by Sears, Sears warrants the installation.

A charge will be made on service calls due to poor or incomplete installation. These include:

- a. Adjusting thermostat b. Condensation c. Leaks in pipes or fittings

Master Protection Agreements

Congratulations on making a smart purchase. Your new Kenmore® product is designed and manufactured for years of dependable operation. But like all products, it may require preventive maintenance or repair from time to time. That's when having a Master Protection Agreement can save you money and aggravation.

The Master Protection Agreement also helps extend the life of your new product. Here's what the Agreement* includes:

- **Parts and labor** needed to help keep products operating properly **under normal use**, not just defects. Our coverage goes **well beyond the product warranty**. No deductibles, no functional failure excluded from coverage— **real protection**.
- **Expert service** by a force of more than **10,000 authorized Sears service technicians**, which means someone you can trust will be working on your product.
- **Unlimited service calls and nationwide service**, as often as you want us, whenever you want us.
- **"No-lemon"** guarantee – replacement of your covered product if four or more product failures occur within twelve months.
- **Product replacement** if your covered product can't be fixed.
- **Annual Preventive Maintenance Check** at your request – no extra charge.
- **Fast help by phone** – we call it **Rapid Resolution** – phone support from a Sears representative on all products. Think of us as a "talking owner's manual."
- **Power surge protection** against electrical damage due to power fluctuations.

- **\$250 Food Loss Protection** annually for any food spoilage that is the result of mechanical failure of any covered refrigerator or freezer.
- **Rental reimbursement** if repair of your covered product takes longer than promised.
- **10% discount** off the regular price of any non-covered repair service and related installed parts.

Once you purchase the Agreement, a simple phone call is all that it takes for you to schedule service. You can call anytime day or night, or schedule a service appointment online.

The Master Protection Agreement is a risk free purchase. If you cancel for any reason during the product warranty period, we will provide a full refund. Or, a prorated refund anytime after the product warranty period expires. Purchase your Master Protection Agreement today!

Some limitations and exclusions apply. For prices and additional information in the U.S.A. call 1-800-827-6655.

*** Coverage in Canada varies on some items. For full details, call Sears Canada at 1-800-361-6665.**

Sears Installation Service

For Sears professional installation of home appliances, garage door openers, water heaters, and other major home items, in the U.S.A. or Canada call **1-800-4-MY-HOME®**.

CUSTOMER RESPONSIBILITIES

Thank You for purchasing a Kenmore water heater. Properly installed and maintained, it should give you years of trouble free service. If you should decide that you want the new water heater professionally installed by Sears call 1-800-4-MY-HOME®. They will arrange for prompt, quality installation by Sears authorized contractors.

Abbreviations Found In This Instruction Manual:

- CSA - Canadian Standards Association
- ANSI - American National Standards Institute
- NFPA - National Fire Protection Association
- ASME - American Society of Mechanical Engineers
- GAMA - Gas Appliance Manufacturers Association

Important Information About This Water Heater:

This manual has been prepared to acquaint you (trained service technician) with the installation, operation, and maintenance of the on-demand water heater and provide important safety information in these areas.

Service to the on-demand system should only be performed by a trained service technician.

READ THE ENTIRE MANUAL BEFORE ATTEMPTING TO INSTALL OR OPERATE THE WATER HEATER.

- The installation must conform with these instructions and the local code authority having jurisdiction. In the absence of local codes, installations shall comply with the following:

In the United States: The National Fuel Gas Code ANSI Z223.1/NFPA 54. This publication is available from the Canadian Standards Association, 8501 East Pleasant Valley Rd, Cleveland Ohio 44131, or The National Fire Protection Association, 1 Batterymarch Park, Quincy, MA 02269.

- If after reading this manual you have any questions or do not understand any portion of the instructions, call the Sears Service Center.
- Carefully plan the place where you are going to put the water heater. Correct combustion, vent action, and vent pipe installation are very important in preventing death from possible carbon monoxide poisoning and fires.
- Examine the location to ensure the water heater complies with the *Installation Instructions* section in this manual.

- For California installation, this water heater must be braced, anchored, or strapped to avoid falling or moving during an earthquake. See instructions for correct installation procedures. Instructions may be obtained from California's Office of the State Architect, 1102 Q Street, Suite 5100, Sacramento, CA 95811. Instructions can also be downloaded to your computer at www.dsa.dgs.ca.gov/Pubs.
- Massachusetts Code requires this water heater to be installed in accordance with Massachusetts 248-CMR 2.00: State Plumbing Code and 248-CMR 5.00.

⚠ WARNING
Excessive Weight Hazard
Use two or more people to move and install the water heater. Failure to do so can result in injury (including back injury).

IMPORTANT: Do not remove any permanent instructions, labels, or the data label from either the outside of the water heater or on the inside of water heater panels.

- Remove exterior packaging and place installation components aside.
- Inspect all parts for damage prior to installation and start-up.
- Completely read all instructions before attempting to assemble and install this product.
- After installation, dispose of/recycle all packaging materials.

PRODUCT SPECIFICATIONS

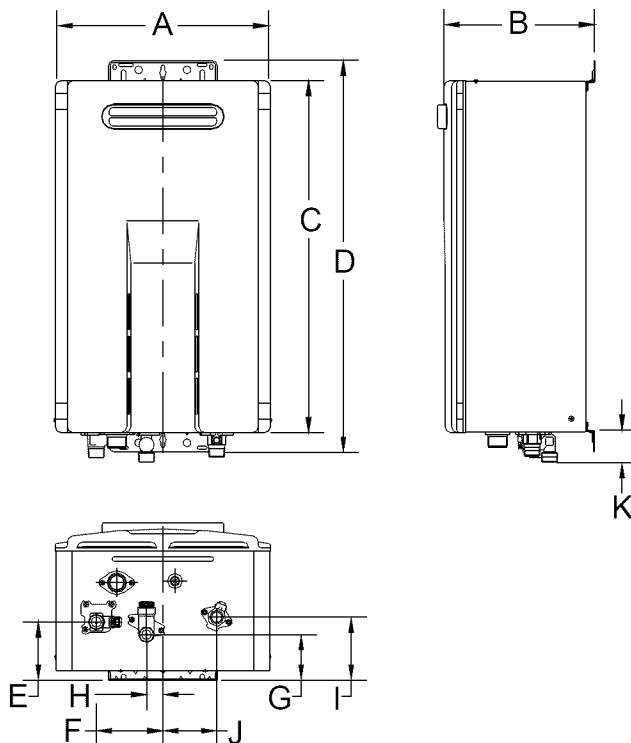
MODEL		305 Models		505 Models	
		154.330040 & 154.330050		154.330080 & 154.330090	
Minimum gas consumption btu/h		15,000			
Maximum gas consumption btu/h		180,000 Natural Gas 180,000 Propane Gas		199,000 Natural Gas 199,000 Propane Gas	
Hot water capacity (Min - Max) *		0.6 - 7.5 GPM (2.3 - 28.4 L/min)		0.6 - 9.4 GPM (2.3 - 35.5 L/MIN)	
Hot water capacity (45°F rise)		6.6 GPM (25.0 L/min)		7.4 GPM (28.0 L/min)	
Default Temperature Setting (no controller)		120° F (49° C)			
Temperature Controller Default Temperature Setting		104° F (40° C)			
Maximum Temp Setting (Residential)		Selectable at 120° F (49° C) or at 140° F (60° C)			
Minimum Temperature Setting		98° F (37° C)			
Weight		46 lb (20.9 kg)			
Efficiency Rating		83%			
Noise Level		49 dB			
Electrical Consumption	Normal	50 W		55 W	
	Standby	2.0 W			
	Anti-Frost Protection	100 W			
By-Pass Control		Fixed		Electronic	
Minimum Gas Supply Pressure	Natural Gas	5.0 inch W.C.			
	Propane	8.0 inch W.C.			
Maximum Gas Supply Pressure	Natural Gas	10.5 inch W.C.			
	Propane	13.5 inch W.C.			
Type of Appliance		Direct Vent, Temperature controlled continuous flow gas hot water system			
Operation		With Or Without Temperature Controls, Mounted In Kitchen, Bathroom, Etc.			
Approved Gas Type		Natural Gas Or Propane - Ensure Unit Matches Gas Type It's Being Installed On.			
Connections		Gas Supply: 3/4" Mnpt, Cold Water Inlet: 3/4" Mnpt, Hot Water Outlet: 3/4"			
Ignition System		Direct Electronic Ignition			
Electric Connections		Appliance: Ac 120 Volts, 60hz. Temperature Control: Dc 12 Volts (Digital)			
Water Temperature Control		Simulation Feedforward And Feedback.			
Water Supply Pressure		Minimum Water Pressure: 20 Psi (Recommended 30-80 Psi For Maximum Performance)			
Maximum Water Supply Pressure		150 PSI			
Temperature Control Cable		Non-Polarized Two Core Cable (Minimum 22 Awg)			
Energy Star Qualified		Yes		Yes	

* Minimum flow may vary slightly depending on the temperature setting and the inlet water temperature.

Specifications are subject to change without prior notice.

The maximum inlet gas pressure must not exceed the value specified by the manufacturer. The minimum value listed is for the purpose of input adjustment.

DIMENSIONS

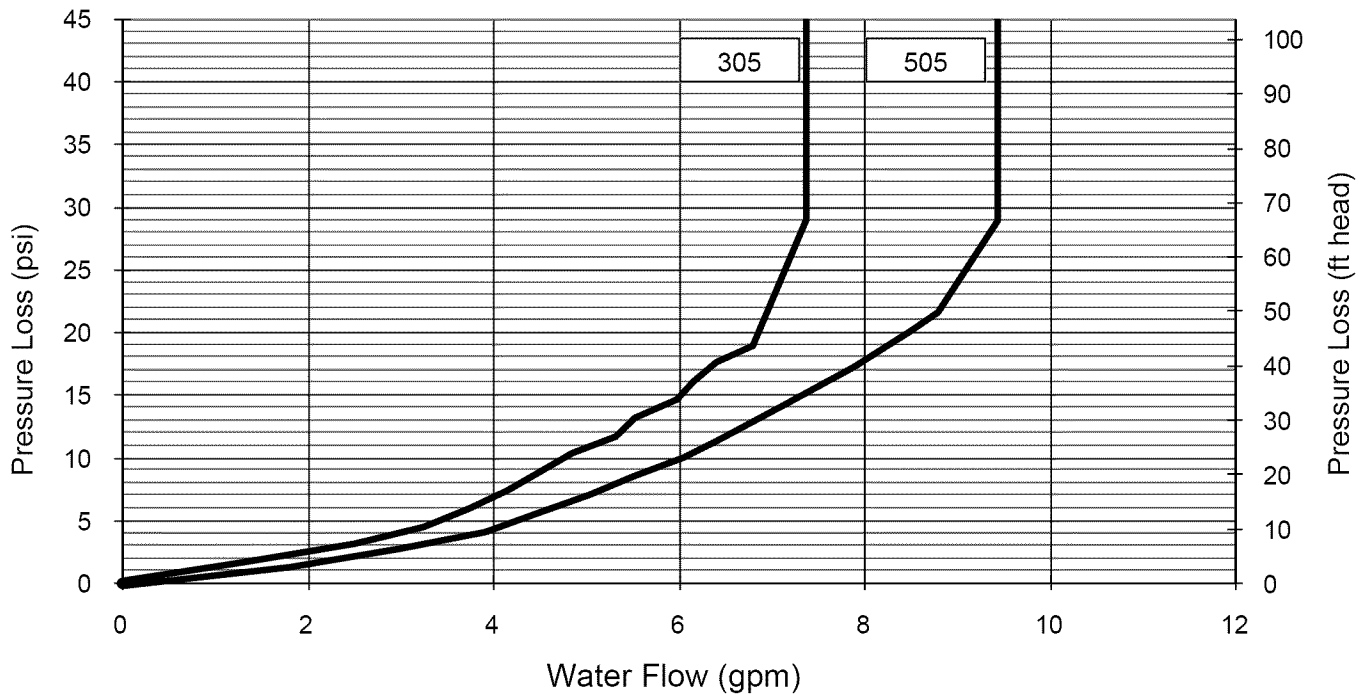


DIM	DESCRIPTION	305 Series in. (mm)	505 Series in. (mm)
A	Width	14 (355.6)	14 (355.6)
B	Depth *	9.8 (249.5)	9.8 (249.5)
C	Height - Unit	22.9 (582)	22.9 (582)
D	Height - with brackets	25.4 (646.4)	25.4 (646.4)
E	Hot Water Outlet - from wall *	3.8 (96)	3.8 (96)
F	Hot Water Outlet - from center	4.3 (110)	4.3 (110)
G	Cold Water Inlet - from wall *	3.0 (76)	3.0 (76)
H	Cold Water Inlet - from center	1.1 (27)	1.1 (27)
I	Gas Connection - from wall *	4.1 (104)	4.1 (104)
J	Gas Connection - from center	3.5 (89)	3.5 (89)
K	From base to gas connection	1.6 (40)	1.6 (40)
	From base to cold connection	2.0 (50)	2.0 (50)
	From base to hot connection	1.6 (41)	1.6 (41)

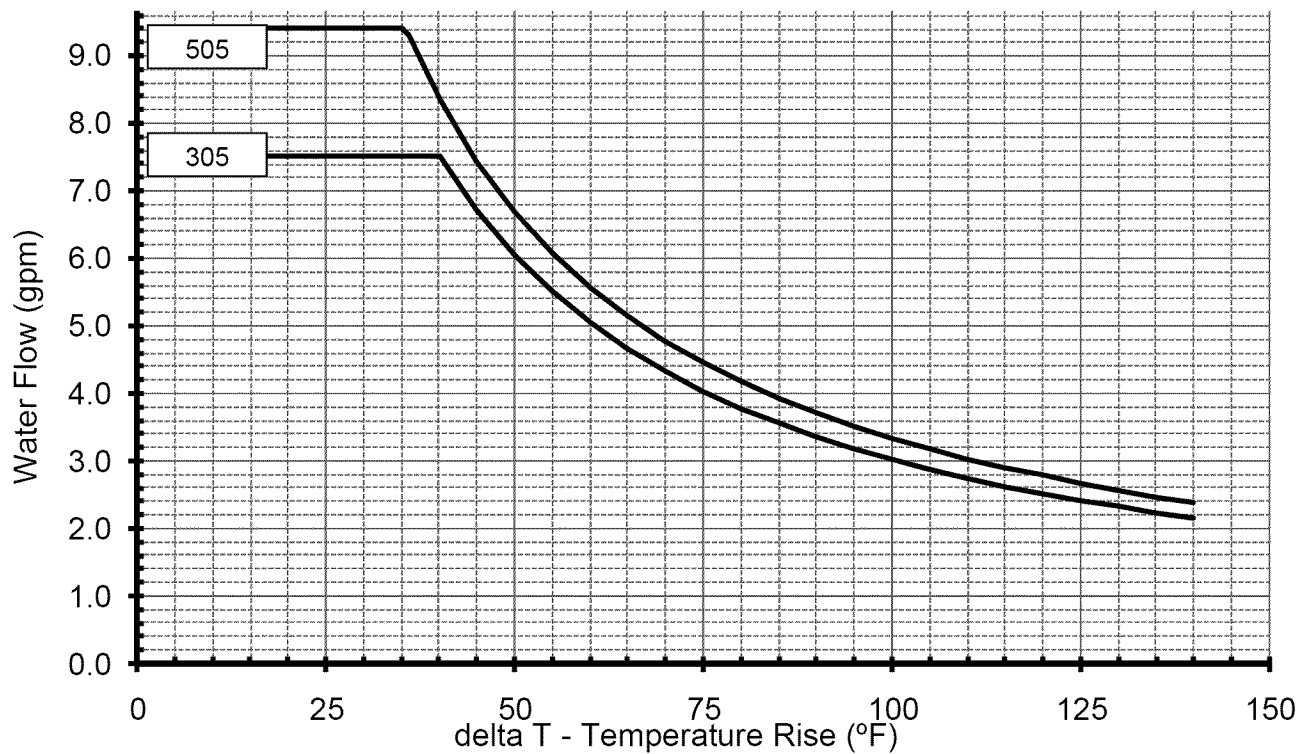
* This is the minimum dimension from the wall. The wall bracket is adjustable to allow an additional 1.57 inches (40 mm).

TECHNICAL DATA

Pressure Drop Curve



Outlet Flow Data



INSTALLATION INSTRUCTIONS

Only properly trained and qualified installers should install this appliance. The warranty may be voided due to improper installation or installation by a non-qualified installer.

It is highly recommended that all installers attend a product knowledge class.

General Instructions

⚠ WARNING

Do not use substitute materials.

Use only parts certified with the appliance.

- This appliance must be installed by a state qualified or licensed contractor. It is the responsibility of the person having the water heater installed to ensure the installing contractor has proper licenses and permits for installing water heaters in your location. It is highly recommended that installers attend a product knowledge class to ensure customer satisfaction and warranty coverage. Failure to comply with state and local codes pertaining to water heater installations may void the warranty.
- This appliance is not to be installed indoors.
- A qualified installer or service technician should install the appliance, inspect it, and leak test it before use.
- The installation must conform with local codes or, in the absence of local codes, with the National Fuel Gas Code, ANSI Z223.1/NFPA 54, or the Natural Gas and Propane Installation Code, CSA B149.1.
- The appliance, when installed, must be electrically grounded in accordance with local codes or, in the absence of local codes, with the National Electrical Code, ANSI/NFPA 70, or the Canadian Electrical Code, CSA C22.1.
- The appliance and its appliance main gas valve must be disconnected from the gas supply piping system during any pressure testing of that system at test pressures in excess of 1/2 psi (3.5 kPa) (13.84 in W.C.).
- The appliance must be isolated from the gas supply piping system by closing its individual manual shutoff valve during any pressure testing of the gas supply piping system at test pressures equal to or greater than 1/2 psi (3.5 kPa) (13.84 in W.C.).
- The appliance should be located in an area where water leakage of the unit or connections will not result in damage to the area adjacent to the appliance or to lower floors of the structure. When such locations cannot be avoided, it is recommended that a suitable metal drain pan, adequately drained, be installed under the appliance. The pan must not restrict combustion air flow.
- The flow of combustion and ventilation air shall not be obstructed.
- This appliance is not suitable for use in an application such as a pool or spa heater that uses chemically treated water. (This appliance is suitable for filling large or whirlpool bath tubs with potable water.)

- As water is heated, it expands (thermal expansion). In a closed system, the volume of water will grow. As the volume of water grows, there will be a corresponding increase in water pressure due to thermal expansion. Thermal expansion can cause premature tank failure (leakage). This type of failure is not covered under the limited warranty. Thermal expansion can also cause intermittent pressure relief valve operation: water discharged from the valve due to excessive pressure build up. The pressure relief valve is not intended for the constant relief of thermal expansion. This condition is not covered under the limited warranty.

A properly-sized thermal expansion tank should be installed on all closed systems to control the harmful effects of thermal expansion. Contact a plumbing service agency or your retail supplier regarding the installation of a thermal expansion tank. **NOTE:** Reference Figures 4-7 to see if your installation recommends the use of a thermal expansion tank.

- Should overheating occur or the gas supply fail to shut off, turn off the manual gas control valve to the appliance.
- Keep the air intake location free of chemicals such as chlorine or bleach that produce fumes. These fumes can damage components and reduce the life of your appliance.

Clearances from Appliance

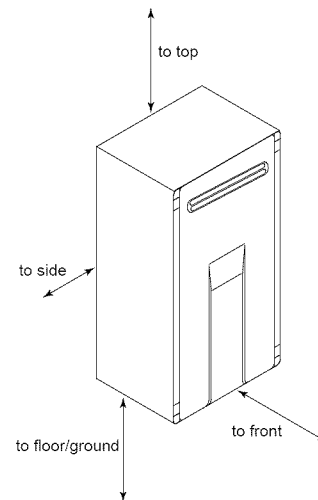


Figure 1

Table 1:	to Combustibles	to Non-Combustibles
	305/505	305/505
Top of Heater	12 inches (305 mm)	2 inches (51 mm)

Table 1:	to Combustibles	to Non-Combustibles
Back of Heater	0 (zero)	0 (zero)
Front of Heater	24 inches (610 mm)	24 inches (610 mm)
Sides of Heater	6 inches (152 mm)	1/8 inches (3.2 mm)
Floor/Ground	12 inches (305 mm)	2 inches (51 mm)

The clearance for servicing is 24 inches in front of the water heater.

Attachment of the Water Heater

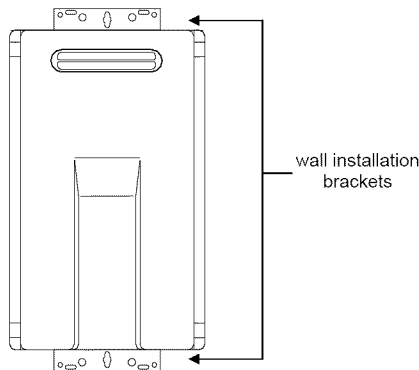


Figure 2

1. Identify the installation location and confirm that the installation will meet all required clearances.
2. Securely attach the water heater to the wall using any of the holes in the wall installation brackets which are at the top and bottom of the water heater. Ensure that the attachment strength is sufficient to support the weight. Refer to the weight of the water heater in the Specifications section.

Electrical Connection

The water heater must be electrically grounded in accordance with local codes or in the absence of local codes with the most recent edition of the National Electrical Code, ANSI/NFPA 70. In Canada, all electrical wiring should be in accordance with local codes and the Canadian Electrical Code, CSA C22.1 Part 1. Do not rely on the gas or water piping to ground the water heater. A screw is provided in the junction box for the grounding connection.

The water heater requires 120 VAC, 60 Hz power from a properly grounded circuit.

A disconnect switch must be provided and installed for the incoming 120 VAC power. It should be a type that is suitable for outdoor use. Check the National Electrical Code, ANSI/NFPA 70 and your local codes for a proper switch type to use in your area. The wiring diagram is located on the Technical Sheet attached to the inside of the front cover.

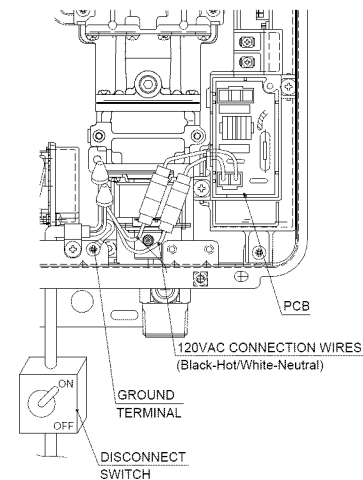


Figure 3

GAS SUPPLY

General Instructions

- A manual gas control valve must be placed in the gas supply line to the water heater. A union can be used on the connection above the shut off valve for the future servicing or disconnection of the unit.
- Check the type of gas and the gas inlet pressure before connecting the water heater. If the water heater is not of the gas type that the building is supplied with, **DO NOT** connect the water heater. Contact Sears for the proper unit to match the gas type.
- Check the gas supply pressure immediately upstream at a location provided by the gas company. Supplied gas pressure must be within the limits shown in the Specifications section.
- Before placing the appliance in operation all joints including the heater must be checked for gas tightness by means of leak detector solution, soap and water, or an equivalent nonflammable solution, as applicable. (Since some leak test solutions, including soap and

water, may cause corrosion or stress cracking, the piping shall be rinsed with water after testing, unless it has been determined that the leak test solution is non-corrosive.)

- Always use approved connectors to connect the unit to the gas line. Always purge the gas line of any debris before connection to the water heater.
- The gas supply line shall be gas tight, sized, and so installed as to provide a supply of gas sufficient to meet the maximum demand of the heater and all other gas consuming appliances at the location without loss of pressure.
- Any compound used on the threaded joint of the gas piping shall be a type which resists the action of liquefied petroleum gas (propane / LPG).
- Refer to an approved pipe sizing chart if in doubt about the size of the gas line.

Pipe Sizing Procedure - Example

The gas supply must be capable of handling the entire gas load at the location. Gas line sizing is based on gas type, the pressure drop in the system, the gas pressure supplied, and gas line type. Refer to the National Fuel Gas Code, NFPA 54, for proper gas line sizing. The below information is provided as an example.

1. Determine the cubic feet per hour of gas required by dividing the gas input (on the rating plate) by the heating value of the gas (available from the local gas company). The gas input needs to include all gas products at the location and the maximum BTU usage at full load when all gas products are in use.

Gas Input of the water heater (BTU / HR)

$$\text{Cubic Feet per Hour (CFH)} = \frac{\text{-----}}{\text{Heating Value of Gas (BTU / FT}^3\text{)}}$$

2. Use the table for your gas type to find the pipe size required for your cubic feet per hour of gas and your pipe length.

Example: The heating value of natural gas for your location is 1020 BTU/FT³

The gas input is 199,000 BTU/HR. Additional appliances at the location require 75,000 BTU/HR.

Therefore the cubic feet per hour = (199,000 + 75,000) / 1020 = 268.6 FT³/HR.

If the pipe length is 100 ft then the 1 ¼ inch pipe size capable of supplying 304 FT³/HR of natural gas will be adequate.

TABLE 2: Pipe Sizing Table - Natural Gas

cubic feet per hour Schedule 40 Metallic Pipe
 Inlet Pressure: less than 2 psi (55 inches W.C.)
 Pressure Drop: 0.3 inches W.C.
 Specific Gravity: 0.60

Length	Pipe Size (inches)			
	3/4	1	1 1/4	1 1/2
10	273	514	1060	1580
20	188	353	726	1090
30	151	284	583	873
40	129	243	499	747
50	114	215	442	662
60	104	195	400	600
70	95	179	368	552
80	89	167	343	514
90	83	157	322	482
100	79	148	304	455
125	70	131	269	403
150	63	119	244	366
175	58	109	224	336
200	54	102	209	313

TABLE 3: Pipe Sizing Table - Propane Gas

cubic feet per hour Schedule 40 Metallic Pipe
 Inlet Pressure: 11 inches W.C.
 Pressure Drop: 0.5 inches W.C.
 Specific Gravity: 1.50

Length	Pipe Size (inches)			
	1/2	3/4	1	1 1/4
10	291	608	1150	2350
20	200	418	787	1620
30	160	336	632	1300
40	137	287	541	1110
50	122	255	480	985
60	110	231	434	892
80	101	212	400	821
100	94	197	372	763
125	89	185	349	716
150	84	175	330	677
175	74	155	292	600
200	67	140	265	543

General Instructions

- A manual water control valve must be placed in the water inlet connection to the water heater before it is connected to the water line. Unions may be used on both the hot and cold water lines for future servicing and disconnection of the unit.
- The piping (including soldering materials) and components connected to this appliance must be approved for use in potable water systems.
- Purge the water line to remove all debris and air. Debris will damage the water heater.
- Toxic chemicals such as those used for boiler water treatment are not to be introduced to the potable water used for space heating.
- If the appliance will be used as a potable water source, it must not be connected to a system that was previously used with a nonpotable water heating appliance.
- Ensure that the water filter on the water heater is clean and installed (See Flushing the Heat Exchanger).

Pressure Relief Valve

- An approved pressure relief valve is required by the American National Standard (ANSI Z21.10.3) / Canadian Standard (CSA 4.3) for all water heating systems.
- The relief valve must comply with the standard for Relief Valves and Automatic Gas Shutoff Devices for Hot Water Supply Systems ANSI Z21.22 and /or the standard Temperature, Pressure, Temperature and Pressure Relief Valves and Vacuum Relief Valves, CAN1-4.4.
- The relief valve must be rated up to 150 psi and to at least the maximum BTU/hr of the appliance.
- The discharge from the pressure relief valve should be piped to the ground or into a drain system to prevent exposure or possible burn hazards to humans or other plant or animal life. Follow local codes. Water discharged from the relief valve could cause severe burns instantly, scalds, or death. (See Figure 4)
- The pressure relief valve must be manually operated once a year to check for correct operation.
- The relief valve should be added to the hot water outlet line according to the manufacturer's instructions. **DO NOT** place any other type valve or shut off device between the relief valve and the water heater.
- Do not plug the relief valve and do not install any reducing fittings or other restrictions in the relief line. The relief line should allow for complete drainage of the valve and the line.
- If a relief valve discharges periodically, this may be due to thermal expansion in a closed water supply system. Contact the water supplier or local plumbing inspector on

how to correct this situation. Do not plug the relief valve.

- Neither this water heater nor the American National Standard (ANSI Z21.10.3) / Canadian Standard (CSA 4.3) requires a combination temperature and pressure relief valve for this appliance. However, local codes may require a combination temperature and pressure relief valve.

Freezing Protection

The freeze protection features include electrical heating elements and intermittent firing of the burner. Freeze protection may be disabled if electricity or gas is not supplied, or if there is an error preventing the water heater from functioning. Loss of freeze protection may result in water damage from a burst heat exchanger or water lines.

The installation of auto drain down solenoid valves is optional. However, it is strongly recommended that these valves be installed to prevent damage from freezing in case the normal freeze protection should become disabled. Any product damage due to freezing will not be covered by the warranty.

In addition, the solenoid valves should be connected electrically to a surge protector with terminals that attaches to the PC board in the unit. This allows the solenoid valves to operate if the water heater is disabled due to an error code.

The solenoid valves and the surge protector with terminals are available for purchase separately.

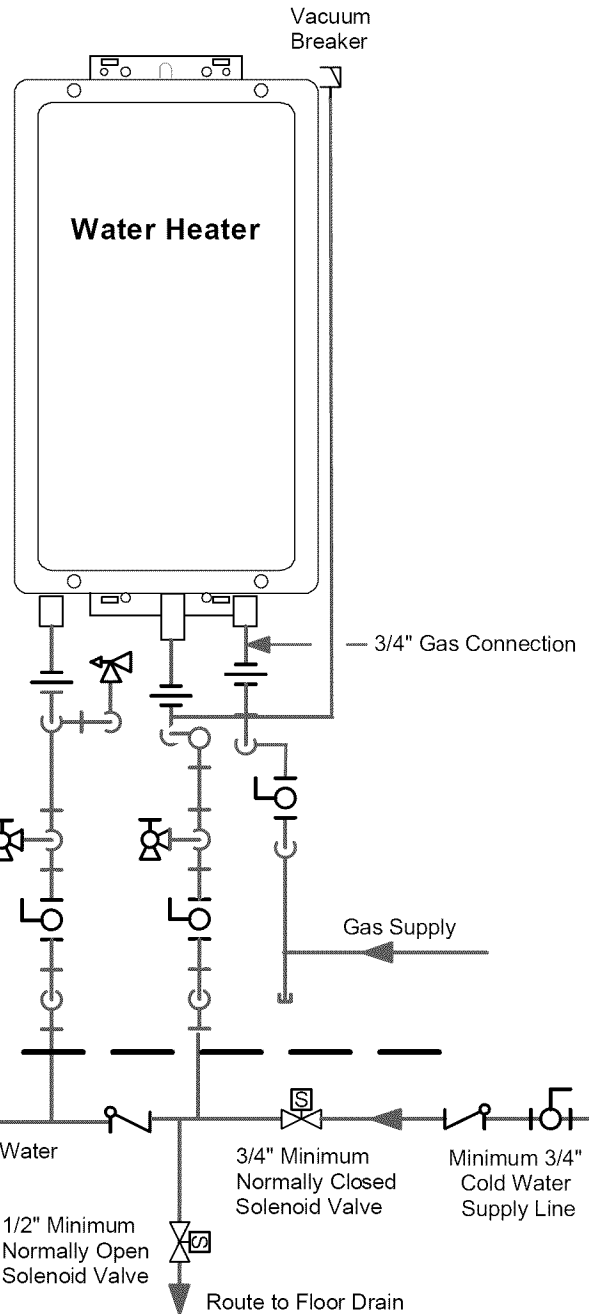
NOTICE: Warranty does not cover damage due to freezing.

When electrical power and gas are supplied to the water heater, it will not freeze in environments as cold as -30° F when protected from direct wind exposure. In the event of a power failure at temperatures below freezing the water heater should be drained of all water to prevent freezing damage.

The unit may be drained manually. However, it is highly recommended that drain down solenoid valves be installed that will automatically drain the unit if power is lost. It is also recommended that a surge protector with terminals be installed that attaches to the PC board in the unit and allows the solenoid valves to operate if the unit is disabled due to an error code.

When the electrical power to the water heater fails, the 3/4" solenoid valve closes (stopping the flow of water into the heater) and the 1/2" solenoid valve opens (allowing the water heater and associated piping to drain. Ensure that you run the drain for the solenoids to the outside environment to prevent discharging water inside the building causing water damage).

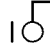

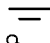





Figure 4: Freeze Protection Piping - Drawing



NOTE:
Heat trace (heat tape) ALL water pipe and fittings located outside home (attic, crawl space) or building structure. (ALL water pipe and fittings shown above the dashed line in the drawing.)

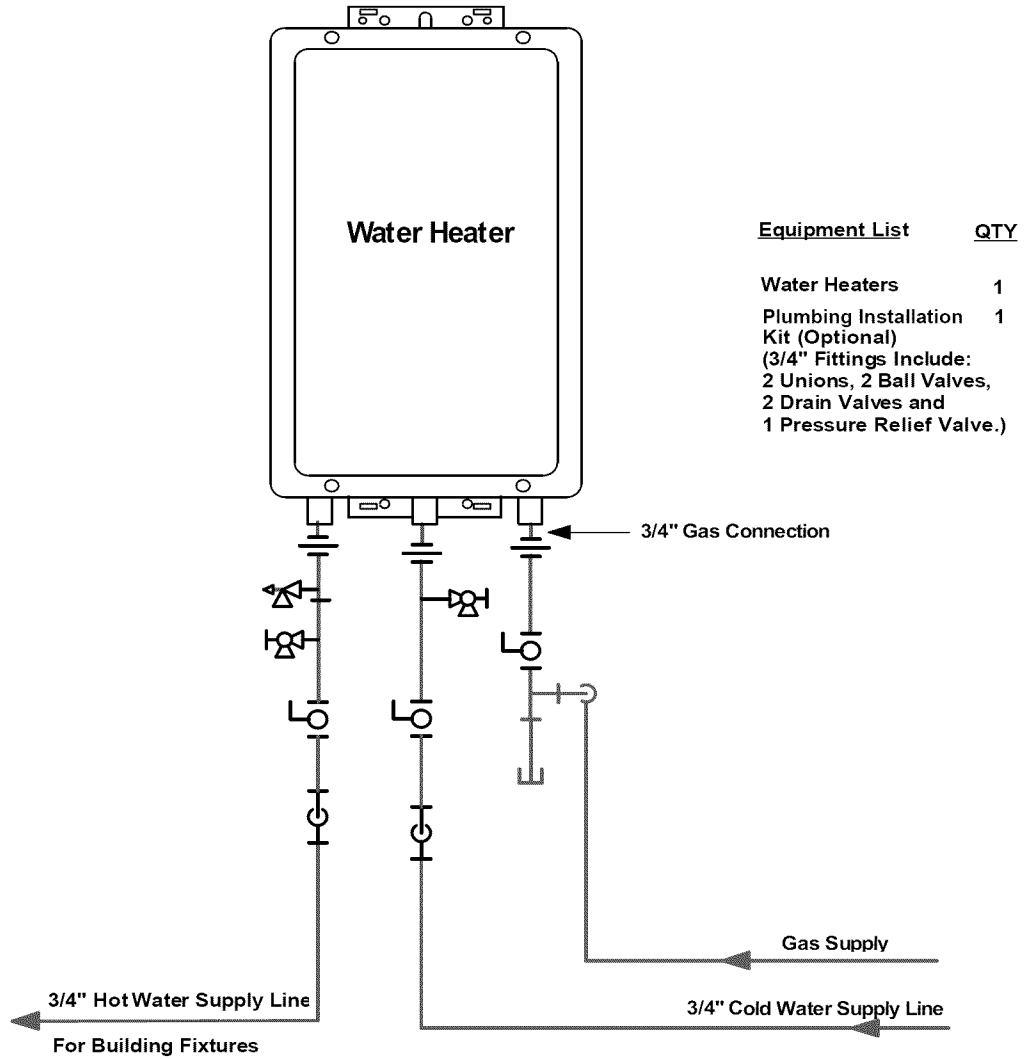
NOTE:
ALL pipe and fittings shown below dashed line should be located inside home or building structure.
The vacuum breaker line should be located inside the building structure.

KEY

	3/4" Ball Valve		Pressure Regulator
	3/4" Union		Circulating Pump
	Check Valve		Boiler Drain Valve
	Pressure Relief Valve		Solenoid Valve

This is not an engineered drawing. It is intended only as a guide and not as a replacement for professionally engineered project drawings. This drawing is not intended to describe a complete system. It is up to the contractor/engineer to determine the necessary components and configuration of the particular system being installed. This drawing does not imply compliance with local building code requirements. It is the responsibility of the contractor/engineer to ensure installation is in accordance with all local building codes. Confer with local building officials before installation.

Figure 5: Recommended Piping for Basic Installation



KEY

	3/4" Ball Valve		Pressure Regulator
	3/4" Union		Circulating Pump
	Check Valve		Boiler Drain Valve
	Pressure Relief Valve		Solenoid Valve

This is not an engineered drawing. It is intended only as a guide and not as a replacement for professionally engineered project drawings. This drawing is not intended to describe a complete system. It is up to the contractor/engineer to determine the necessary components and configuration of the particular system being installed. This drawing does not imply compliance with local building code requirements. It is the responsibility of the contractor/engineer to ensure installation is in accordance with all local building codes. Confer with local building officials before installation.

Figure 6: Recommended Piping for Circulation Systems

NOTE:
Applications, using this piping arrangement maintains full warranty.

For this application:

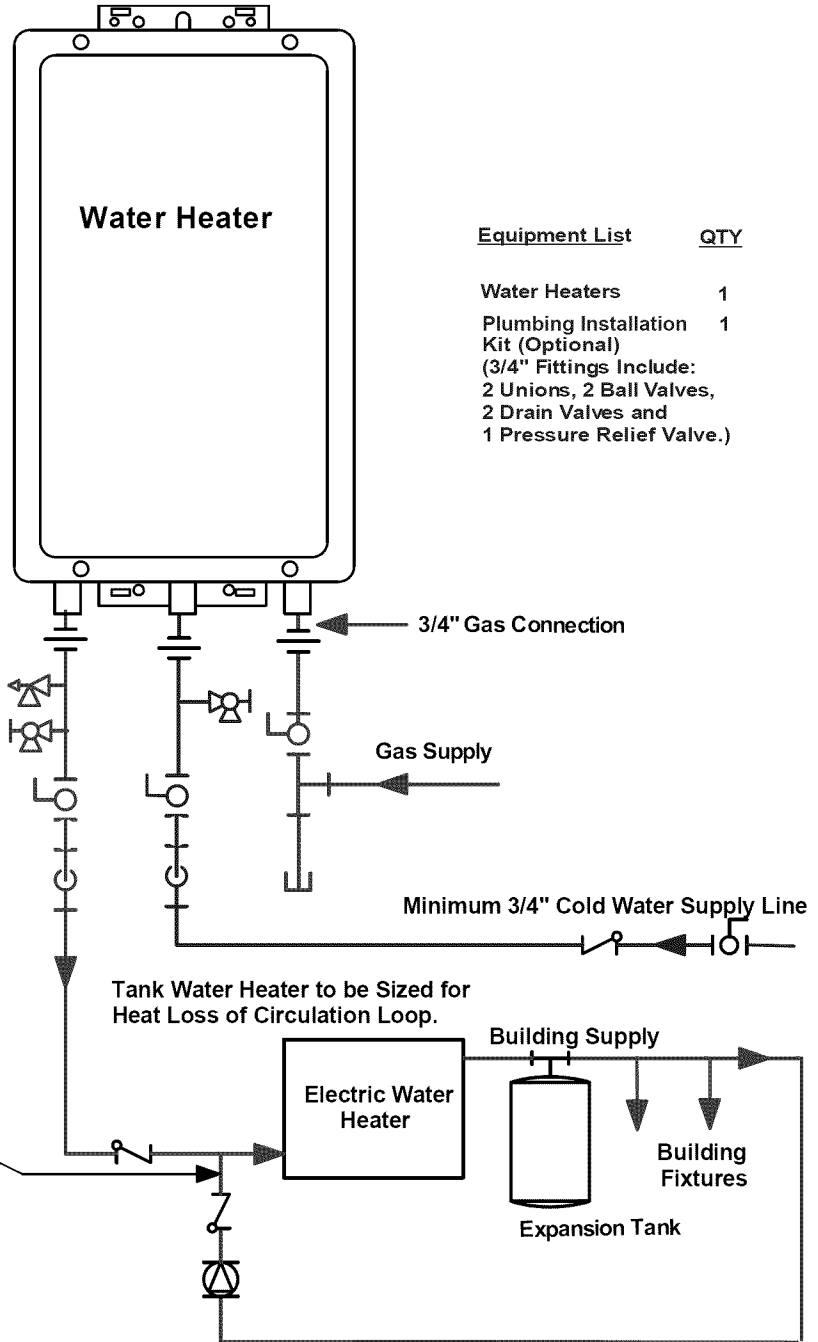
Pump should be controlled by an Aquastat, Timer or Combination Aquastat and Timer.

Pump to be sized to maintain circulation loop temperature.

The pump should be sized to overcome the pressure loss through the tank water heater, and supply and return plumbing.

Pump to be of bronze or stainless construction.

IMPORTANT: Connect the building return line to the hot water supply line as close as possible to the water heater.



Equipment List	QTY
Water Heaters	1
Plumbing Installation Kit (Optional)	1
(3/4" Fittings Include: 2 Unions, 2 Ball Valves, 2 Drain Valves and 1 Pressure Relief Valve.)	

KEY

	3/4" Ball Valve		Pressure Regulator
	3/4" Union		Circulating Pump
	Check Valve		Boiler Drain Valve
	Pressure Relief Valve		Solenoid Valve

This is not an engineered drawing. It is intended only as a guide and not as a replacement for professionally engineered project drawings. This drawing is not intended to describe a complete system. It is up to the contractor/engineer to determine the necessary components and configuration of the particular system being installed. This drawing does not imply compliance with local building code requirements. It is the responsibility of the contractor/engineer to ensure installation is in accordance with all local building codes. Confer with local building officials before installation.

Figure 7: Optional Piping for Circulation Systems

NOTE:

Applications, using this piping arrangement reduces the warranty to the following:

3 years on heat exchanger

3 year on parts

Full warranty will be maintained if an on-demand recirculation system is incorporated. Refer to the Limited Warranty.

For this application:

Pump should be controlled by an Aquastat, Timer or Combination Aquastat and Timer.

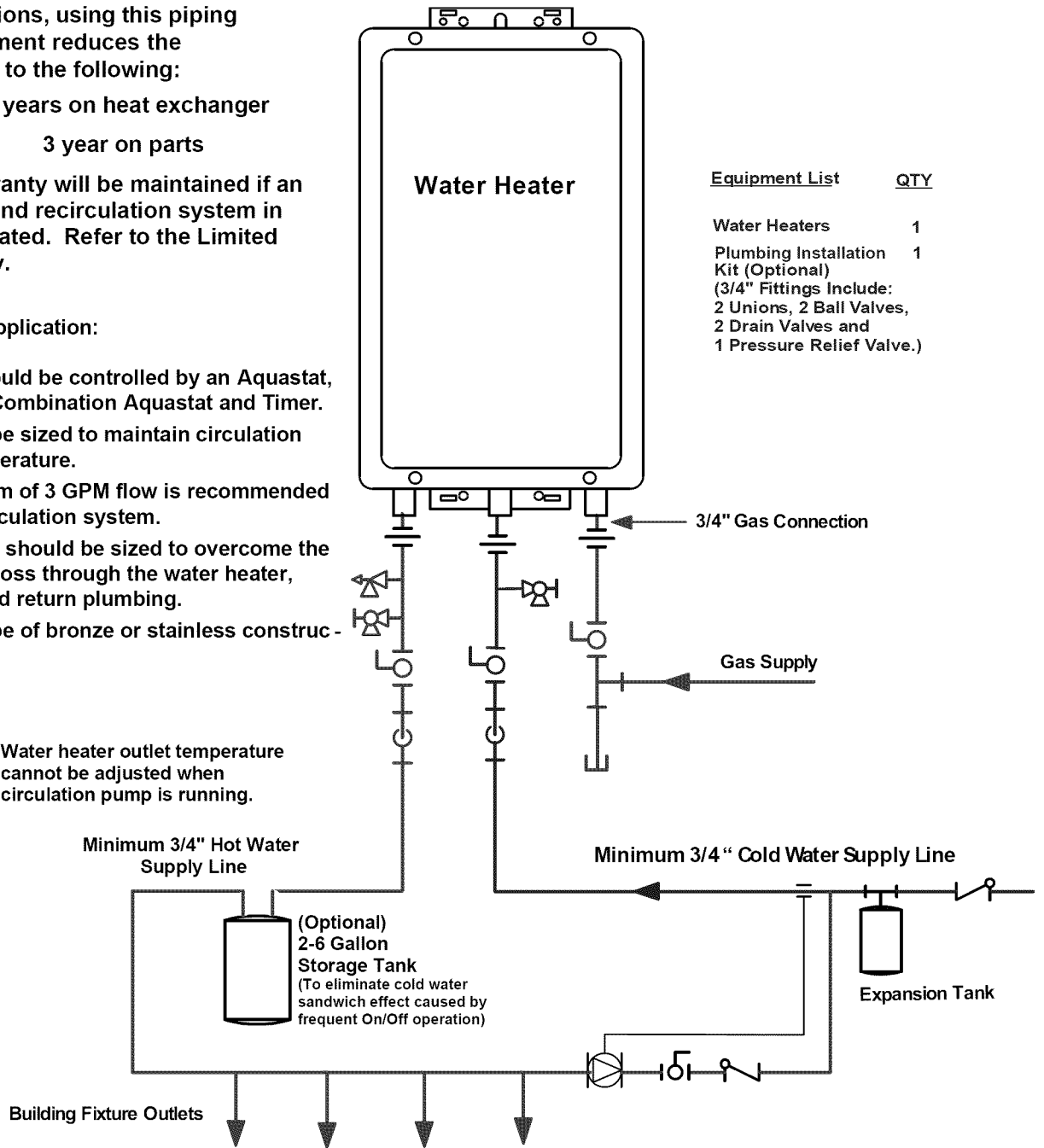
Pump to be sized to maintain circulation loop temperature.

A minimum of 3 GPM flow is recommended for the circulation system.

The pump should be sized to overcome the pressure loss through the water heater, supply and return plumbing.

Pump to be of bronze or stainless construction.

Note: Water heater outlet temperature cannot be adjusted when circulation pump is running.



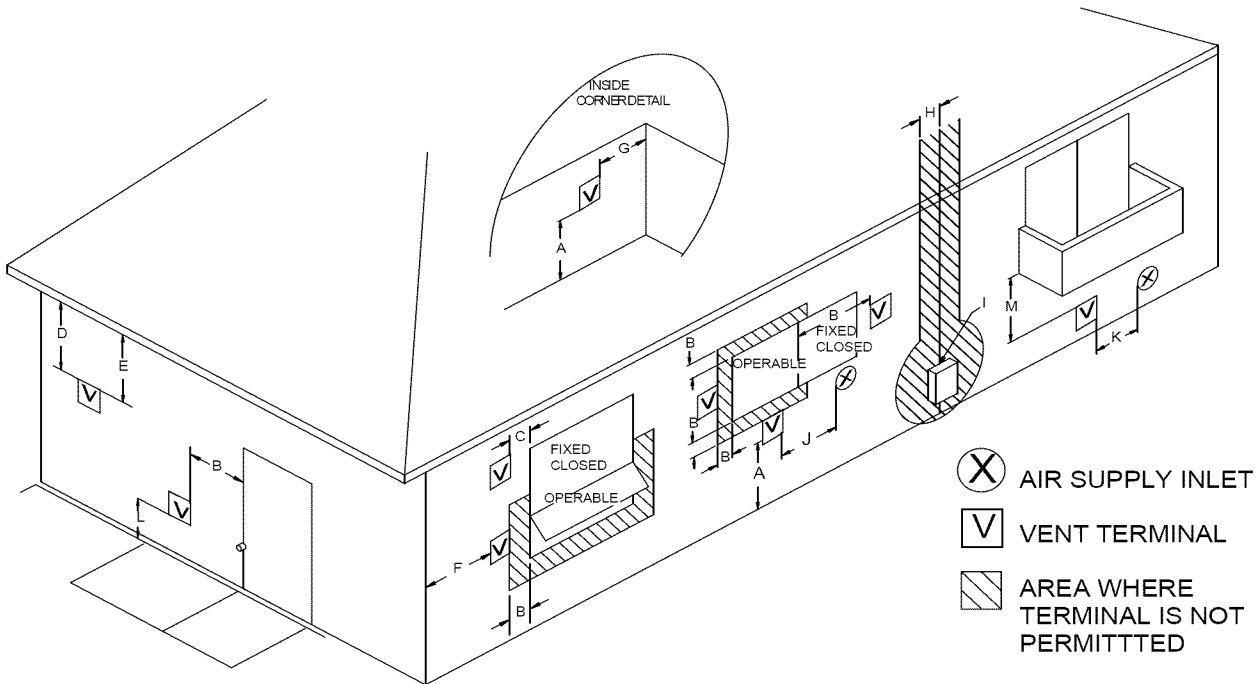
Equipment List	QTY
Water Heaters	1
Plumbing Installation Kit (Optional)	1
(3/4" Fittings Include:	
2 Unions, 2 Ball Valves,	
2 Drain Valves and	
1 Pressure Relief Valve.)	

KEY

	3/4" Ball Valve		Pressure Regulator
	3/4" Union		Circulating Pump
	Check Valve		Boiler Drain Valve
	Pressure Relief Valve		Solenoid Valve

This is not an engineered drawing. It is intended only as a guide and not as a replacement for professionally engineered project drawings. This drawing is not intended to describe a complete system. It is up to the contractor/engineer to determine the necessary components and configuration of the particular system being installed. This drawing does not imply compliance with local building code requirements. It is the responsibility of the contractor/engineer to ensure installation is in accordance with all local building codes. Confer with local building officials before installation.

VENTING INSTRUCTIONS



Ref	Description	US Installations
A	Clearance above grade, veranda, porch, deck, or balcony	12 inches (30 cm)
B	Clearance to window or door that may be opened	12 inches (30 cm)
C	Clearance to permanently closed window	*
D	Vertical clearance to ventilated soffit, located above the terminal within a horizontal distance of 2 feet (61 cm) from the center line of the terminal	*
E	Clearance to unventilated soffit	*
F	Clearance to outside corner	*
G	Clearance to inside corner	*
H	Clearance to each side of center line extended above meter/regulator assembly	*
I	Clearance to service regulator vent outlet	*
J	Clearance to nonmechanical air supply inlet to building or the combustion air inlet to any other appliance	12 inches (30 cm)
K	Clearance to a mechanical air supply inlet	3 feet (91 cm) above if within 10 feet (3 m) horizontally
L	Clearance above paved sidewalk or paved driveway located on public property ①	*
M	Clearance under veranda, porch, deck, or balcony ②	*

① A vent shall not terminate directly above a sidewalk or paved driveway that is located between two single family dwellings and serves both dwellings.

② Permitted only if veranda, porch, deck, or balcony is fully open on a minimum of two sides beneath the floor.

* For clearances not specified in ANSI Z223.1/NFPA 54 or CSA B149.1, clearances are in accordance with local installation codes and the requirements of the gas supplier.

Additional Clearance - Vent Terminal

Local codes supersede these clearances.

- Avoid termination locations near a dryer vent.
- Avoid termination locations near commercial cooking exhaust.

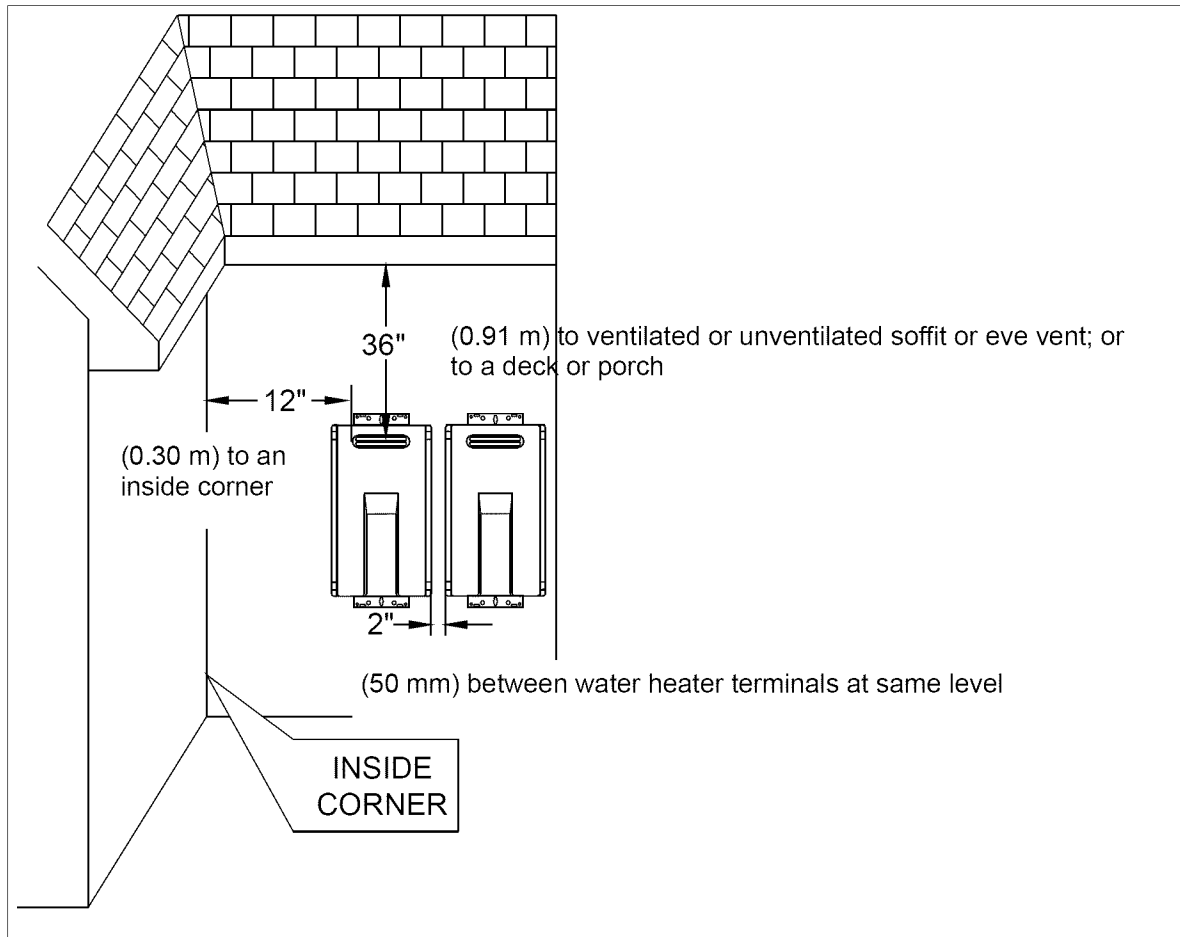


Figure 8

HIGH ALTITUDE INSTALLATIONS

Set dip switches 2 and 3 to the values shown in table below for your altitude. The default setting for the appliance is 0-2000 ft (0-610 m) with switches No. 2 and No. 3 in the OFF position.

⚠ WARNING

DO NOT adjust the other dip switches unless specifically instructed to do so.

Table 4:	0-2000 ft (0-610 m)	2001-5200 ft (610-1585 m)	5201-7700 ft (1585-2377 m)	7701-10200 ft (2378-3109 m)
Switch No. 2	OFF	OFF	ON	ON
Switch No. 3	OFF	ON	OFF	ON

Switch No.	Switch No.	Switch No.	Switch No.

CONNECTING MULTIPLE WATER HEATERS

The 2-Unit connection cable is an optional accessory that connects 2 water heaters and allows them to function as one hot water source.

The Multi-Unit connection kit and Multi-Unit connection cables are optional accessories that connect 2 to 5 water heaters and allow them to function as one hot water source.

The Multi-Unit connection kit includes a PC board and one Multi-Unit connection cable.

Refer to the instructions that come with the accessory for complete installation information.

Guidelines

- Do not install both the 2-Unit connection cable and the Multi-Unit connection kit because they are not designed to operate together.
- Water heaters should be installed less than 18 inches apart so that the cables will reach between units and to prevent temperature fluctuations (cold water sandwich effect) when the water is shut off and turned back on.
- Temperature settings can only be changed on the controller for the primary unit.

Table 5:

Number of Connected Water Heaters:	Accessories Necessary:
2	(1) 2-Unit connection cable or (1) Multi-Unit connection kit
3	(1) Multi-Unit connection kit and (1) Multi-Unit connection cable
4	(1) Multi-Unit connection kit and (2) Multi-Unit connection cables
5	(1) Multi-Unit connection kit and (3) Multi-Unit connection cables

TEMPERATURE CONTROLLER INSTALLATION

Location

Outdoor models are supplied with one remote control unit. Additional controllers can also be installed.

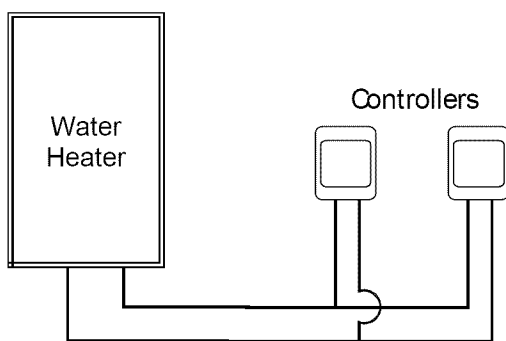
- The controller should be out of reach of small children.
- Avoid locations where the controller may become hot (near the oven or radiant heater).
- Avoid locations in direct sunlight. The digital display may be difficult to read in direct sunlight.
- Avoid locations where the temperature controller could be splashed with liquids.
- Do not install in locations where it can be adjusted by the public.

Configurations

A maximum of 4 temperature controllers can be installed for a water heater or bank of water heaters.

Controllers can only be wired in parallel. Controllers cannot be wired in series.

If 4 temperature controllers are installed, simultaneously press the Priority and On/Off buttons on the fourth controller until a beep sounds.



Wire controllers in parallel

Figure 9

Cable Length and Size

The cable for the temperature controller should be a non-polarized two-core cable with a minimum gauge of 22 AWG. The maximum cable length from each controller to the water heater depends on the total number of wired controllers connected to the water heater.

Table 6:	
Number of Wired Controllers	Maximum Cable Length for each Controller to Water Heater
1	328 ft (100 m)
2	164 ft (50 m)
3 or 4	65 ft (20 m)

Mounting the Controller

⚠ WARNING

Do not attempt to connect the temperature controllers with the power on. There is 120 volt potential, next to the temperature controller connections inside the unit.

Do not connect the temperature controller to the 120VAC terminals provided for the optional solenoid drain valves.

All service and wiring should be performed by a registered installer.

Follow the procedure below to install additional controllers.

1. Determine a suitable location for the controller.
2. Make three holes in the wall as shown.
3. Run the cable between the controller and the water heater or the controller and the other controller.
4. Remove the face plate from the temperature controller using a screwdriver.
5. Connect the cable to the temperature controller.
6. Mount the controller to the wall using the holes drilled in step 2.
7. Disconnect the power from the water heater.
8. Remove the cover of the water heater.
9. Remove the plastic cover from the PCB and electrical connections.
10. Thread the cable through the access hole at the base of the unit and connect the wires to the controller terminals on the right hand side bottom of the PCB.
11. Secure the controller cable using the clamp provided.
12. Replace plastic cover over PCB and then replace the cover of the water heater.

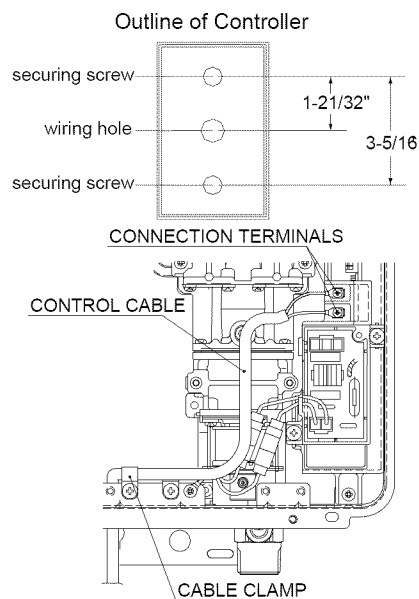


Figure 10

DESCRIPTION OF OPERATION

This appliance is one of the most advanced water heaters available. It provides a continuous supply of hot water at a preset temperature. This appliance is direct vent where air is brought in from the outside and combustion gases are exhausted to the outside.

While electricity, water, and gas supplies are connected, this appliance produces hot water whenever a hot water tap is open.

Ignition is electronic. There is no pilot light consuming gas while the water heater is not being used. The gas burner lights automatically when the hot water tap is

opened and goes out when the tap is closed. Installation of the temperature controller is highly recommended. The temperature controller can set the temperature within a specific range and can provide error codes to diagnose any problems.

The temperature of the outgoing hot water is constantly monitored. This appliance may adjust the water flow in order to maintain the temperature setting. The water flow may vary from summer to winter due to the difference in ground water temperature.

OPERATING INSTRUCTIONS

Sequence of Operation

1. Water Flow Begins

- Water Flow Sensor sends a pulse to the electronic control board
- Electronic control board senses flow greater than 0.6 GPM
- Firing Sequence begins

2. Firing Sequence

- Electronic control board monitors inlet/outlet water temperature, temperature set point, and water flow rate.
- Combustion fan energized. Purges combustion chamber.
- Spark igniter begins sparking.
- Gas control valve opens to minimum fire rate.
- Flame rod proves ignition
- Spark igniter stops sparking

3. Normal Operation

- Electronic control board monitors flame rod, fan motor frequency, outlet water temperature, controller temperature set point and water flow rate.
- Gas control valve modulates gas input to required firing rate.
- Combustion fan speed is adjusted for the required firing rate.
- Water flow control valve is adjusted as needed.

4. Shutdown Sequence

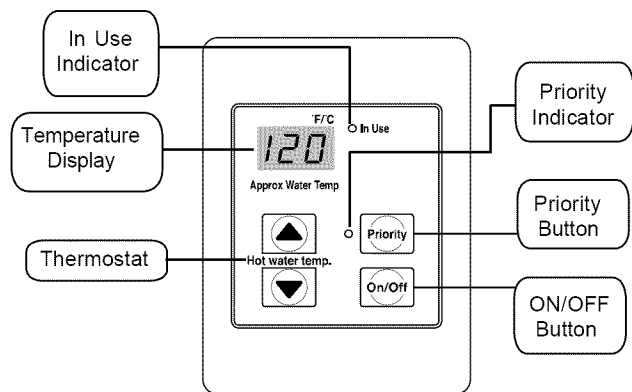
- Electronic control board senses water flow rate less than 0.5 GPM.
- Gas control valve closes.
- Water flow control valve resets to standby position.
- Combustion fan runs for a short period of time at low speed.

5. Standby Mode

- Electronic control board monitors water temperature and remote controls
- Freeze protection is activated as needed.

Features Available on Temperature Controllers

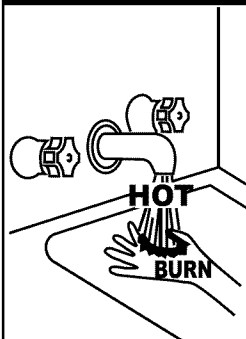
The temperature controller is supplied with the appliance. Dimensions (inches): 3.5 W x 4.75 H x 0.75 D.



Features	Description
Error Codes	When a fault is detected an error code flashes at the temperature
In Use Indicator	Indicates that hot water is being supplied (i.e. a hot water tap is open).
ON/OFF Button	Used to turn the water heater ON or OFF.
Priority Button / Indicator	Indicates that this controller is setting the temperature . Priority can be switched to another controller by pressing its Priority Button when no hot water is running.
Temperature Display	Shows the temperature setting.
Thermostat	Increases or decreases the temperature setting.

Figure 11

TEMPERATURE ADJUSTMENT



⚠ DANGER

Water temperature over 125°F (52°C) can cause severe burns instantly resulting in severe injury or death.

Children, the elderly, and the physically or mentally disabled are at highest risk for scald injury.

Feel water before bathing or showering.

Temperature limiting valves are available.

Read instruction manual for safe temperature setting.

For systems with storage tanks, the water temperature in certain situation may vary up to 30°F (16.7°C) higher or lower at the point of use such as, bathtubs, showers, sink, etc.

HOTTER WATER CAN SCALD: Water heaters are intended to produce hot water. Water heated to a temperature which will satisfy space heating, clothes washing, dish washing, and other sanitizing needs can scald and permanently injure you upon contact. Some people are more likely to be permanently injured by hot water than others. These include the elderly, children, the infirm, or physically/mentally handicapped. If anyone using hot water in your home fits into one of these groups or if there is a local code or state law requiring a certain temperature water at the hot water tap, then you must take special precautions. In addition to using the lowest possible temperature setting that satisfies your hot water needs, a means such as a mixing valve should be used at the hot water taps used by these people or at the water heater. Mixing valves are available at plumbing supply or hardware stores. Follow manufacturer's instructions for installation of the valves. Before changing the factory setting on the thermostat, Using the lowest hot water temperature that meets your needs will also provide the most energy efficient operation of the water heater.

Never allow small children to use a hot water tap, or to draw their own bath water. Never leave a child or handicapped person unattended in a bathtub or shower.

The thermostat on the water heater has been factory set at 120°F, to reduce the risk of scald injury. It is adjustable and can be reset to the desired temperature setting. Some states have a requirement for a lower setting. If you need hotter water, follow direction for temperature adjustment, but beware of the warnings in this section.

NOTICE: While any hot water is being provided, the temperature setting can only be adjusted between 98° F and 110° F.

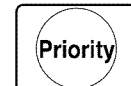


NOTICE: Check local codes for the maximum water temperature setting allowed when used in nursing homes, schools, day care centers, and all other public applications.

NOTICE: If a newly installed unit with a temperature controller has not been powered for at least 6 hours then the temperature will return to the default setting of 104° F (40° C) if power is interrupted.

NOTICE: There may be a variation between the temperature displayed on the temperature controller and the temperature at the tap due to weather conditions or the length of pipe to the water heater.

Table 7:

Temperature Settings	Time to Produce 2nd & 3rd Degree Burns on Adult Skin
160°F (71°C)	About 1/2 second
150°F (66°C)	About 1-1/2 second
140°F (60°C)	Less than 5 seconds
130°F (54°C)	About 30 seconds
120°F (49°C)	More than 5 minutes
80°F (27°C)	-----

	<p>1. Press the "Priority button" on the temperature controller. The green Priority light will glow indicating that this controller is controlling the temperature and that the water heater is ready to supply hot water.</p> <p>The priority can only be changed while no hot water is running.</p>
<p>Hot water temp.</p>  	<p>Press the ▲ or ▼ buttons to obtain the desired temperature setting.</p> <p>All hot water sources are able to provide water at this temperature setting until it is changed again at this or another temperature controller.</p>

Temperature Options without a Temperature Controller

⚠ WARNING

Do not adjust the other dip switches unless specifically instructed to do so.

The default temperature setting for this appliance installed without a remote controller is 120° F (49° C). If desired the temperature setting can be changed to 140° F (60° C) by adjustment of a dip switch. Set dip switch 5 to ON to obtain 140° F water temperature setting. Set dip switch 5 to OFF (default) to obtain 120° F water temperature setting.

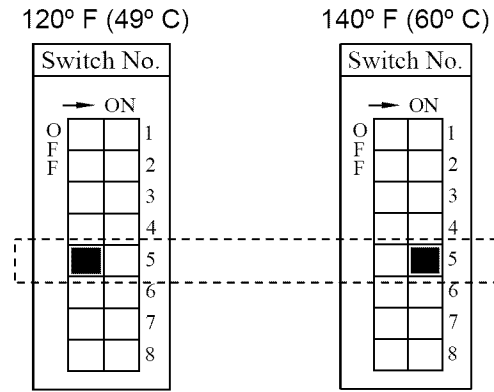


Figure 12

Temperature Ranges

This water heater will attempt to provide hot water at the temperature setting even when the water flow is varied or when more than 1 tap is in use. The water heater can deliver water at only one temperature setting at a time. The available temperatures for a given model are provided below.

Model	Temperature Settings Available (°F)												
305 Series	98	100	102	104	106	108	110	115	120	125*	130*	135*	140*
505 Series	98	100	102	104	106	108	110	115	120	125*	130*	135*	140*
Temp. in Celsius	37	38	39	40	41	42	43	46	49	52	54	57	60

* Re-setting the Maximum Temperature

Temperature settings from 125-140 °F (52-60 °C) are available by setting dip switch 6 to ON in the SW1 bank of 8 dip switches.

Suggested temperatures are:	These temperatures are suggestions only.
Kitchen 120°F (49°C)	A temperature lower than 98°F (37°C) can be obtained at the tap by mixing with cold water.
Shower 98° - 110°F (37° - 43°C)	

To change the temperature scale from Celsius to Fahrenheit or visa versa, press and hold the “On/Off” button for 5 seconds while the water heater is OFF.

Setting Controller to Mute

To eliminate the beeps when keys are pressed or to turn the beeps back on, press and hold both the ▲ and ▼ buttons until a beep is heard (approximately 5 seconds).

OPERATING YOUR WATER HEATER

FOR YOUR SAFETY READ BEFORE OPERATING



WARNING



If you do not follow these instructions exactly, a fire or explosion may result causing property damage, personal injury or loss of life.

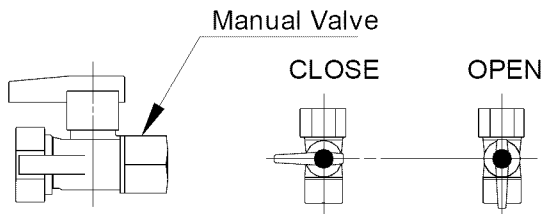
- A. This appliance does not have a pilot. It is equipped with an ignition device which automatically lights the burner. Do not try to light the burner by hand.
 - If you cannot reach your gas supplier, call the fire department.
- B. **BEFORE OPERATING** smell all around the appliance area for gas. Be sure to smell next to the floor because some gas is heavier than air and will settle on the floor.

WHAT TO DO IF YOU SMELL GAS


 - Do not try to light any appliance.
 - Do not touch any electric switch; do not use any phone in your building.
 - Immediately call your gas supplier from a neighbor's phone. Follow the gas supplier's instructions.
- C. Use only your hand to push in or turn the gas control knob. Never use tools. If the knob will not push in or turn by hand, do not try to repair it, call a qualified service technician. Force or attempted repair may result in a fire or explosion.
- D. Do not use this appliance if any part has been under water. Immediately call a qualified service technician to inspect the appliance and to replace any part of the control system and any gas control which has been under water.

OPERATING INSTRUCTIONS

1. STOP! Read the safety information above.
2. Set the thermostat to lowest setting.
3. Turn off all electric power to the appliance using the ON/OFF button.
4. This appliance is equipped with an ignition device which automatically lights the burner. Do not try to light the burner by hand.
5. Locate the manual gas valve on the side of the heater. Turn the manual valve clockwise to the full OFF position. 
6. Wait five (5) minutes to clear out any gas. Then smell for gas, including near the floor. If you smell gas, STOP! Follow "B" in the safety information above. If you don't smell gas, go to the next step.
7. Turn the manual gas valve counterclockwise to the full ON position. 
8. Turn on all electric power to the appliance using the ON/OFF button.
9. Set the thermostat to desired setting.
10. Open a hot water tap. If the appliance will not operate, follow the instructions "To Turn Off Gas To Appliance" and call your service technician or gas supplier. See manual for additional information.



TO TURN OFF GAS TO APPLIANCE

1. Turn off all electric power to the appliance using the ON/OFF button.
2. Set the thermostat to lowest setting.
3. Locate the manual gas valve on the side of the heater. Turn the manual valve clockwise to the full OFF position. 

MAINTENANCE

⚠ WARNING

Turn off the electrical power supply, the manual gas valve and the manual water control valve whenever servicing the unit.

Repairs and maintenance should be performed by a qualified service technician. The appliance should be inspected annually by a qualified service technician.

Verify proper operation after servicing.

Cleaning

It is imperative that control compartments, burners, and circulating air passageways of the appliance be kept clean.

Clean as follows:

1. Turn off and disconnect electrical power. Allow to cool.
2. Remove and clean the water inlet filter.
3. Remove the front panel by removing 4 screws.
4. Use pressurized air to remove dust from the main burner, heat exchanger, and fan blades. Do not use a wet cloth or spray cleaners on the burner. Do not use volatile substances such as benzene and thinners. They may ignite or fade the paint.
5. Use soft dry cloth to wipe cabinet.

Vent System

The vent system should be inspected at least annually for blockages or damage.

Motors

Motors are permanently lubricated and do not need periodic lubrication. Keep fan and motor free of dust and dirt by cleaning annually.

Temperature Controller

Use a soft damp cloth to clean the temperature controller. Do not use solvents.

Lime / Scale Build-up

If you receive Error Code "LC", refer to the procedure, Flushing the Heat Exchanger. Refer to the section on Water Quality to see if your water needs to be treated or conditioned. (When checking maintenance code history, "00" is substituted for "LC".)

Snow Accumulation

Keep the area around flue terminal free of snow and ice. The appliance will not function properly if the intake air or exhaust is impeded (blocked or partially blocked) by obstructions.

Visual Inspection of Flame

The burner must flame evenly over the entire surface when operating correctly. The flame must burn with a clear, blue, stable flame. See the parts breakdown of the burner for the location of the view ports.

The flame pattern should be as shown in the figures below.

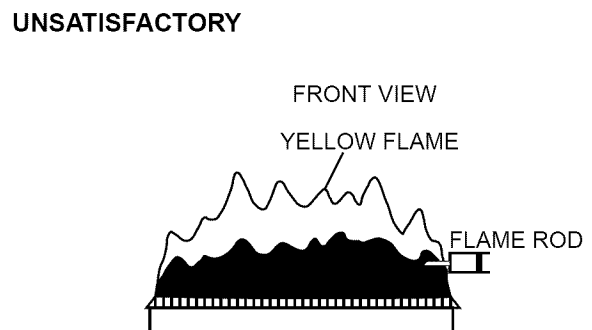
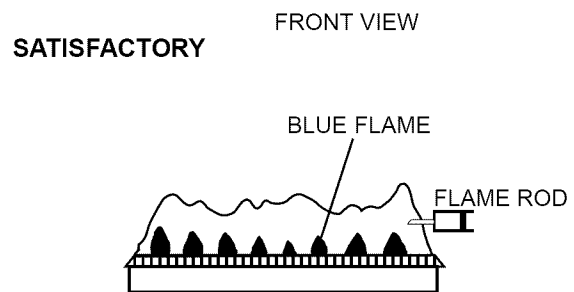


Figure 13

TROUBLESHOOTING

This appliance has the ability to check its own operation continuously. If a fault occurs, an error code will flash on the Display of the temperature controller. This assists with diagnosing the fault and may enable you to overcome a problem without a service call. Please identify the code displayed when inquiring about service.

WARNING

Some of the checks below may need to be done by a qualified service technician. Call a service technician for any remedy that involves gas or electricity. Call a service technician if you have any doubt or reservation about performing the remedy yourself.

Table 10: Error Codes

Code	Fault	Remedy
02	No burner operation during freeze protection mode	Service Call - Check for possible freeze damage to heat exchanger.
10	Air Supply or Exhaust Blockage	Ensure approved venting materials are being used. Check that nothing is blocking the flue inlet or exhaust. Check all vent components for proper connections. Ensure vent length is within limits. Ensure condensation collar was installed correctly. Verify dip switches are set properly. Check fan for blockage.
11	No Ignition	Check that the gas is turned on at the water heater, gas meter, or cylinder. Ensure gas type and pressure is correct. Ensure gas line, meter, and/or regulator is sized properly. Bleed all air from gas lines. Verify dip switches are set properly. Ensure appliance is properly grounded. Disconnect all 2-Unit or Multi-Unit connections to isolate the problem. Ensure igniter is operational. Check igniter wiring harness for damage. Check gas solenoid valves for open or short circuits. Remove burner cover and ensure all burners are properly seated. Remove burner plate and inspect burner surface for condensation or debris.
12	Flame Failure	Check that the gas is turned on at the water heater and gas meter. Check for obstructions in the flue outlet. Ensure gas line, meter, and/or regulator is sized properly. Ensure gas type and pressure is correct. Bleed all air from gas lines. Ensure proper venting material was installed. Ensure condensation collar was installed properly. Ensure vent length is within limits. Verify dip switches are set properly. Ensure appliance is properly grounded. Disconnect keypad. Disconnect all 2-Unit or Multi-Unit connections to isolate the problem. Check power supply for loose connections. Check power supply for proper voltage and voltage drops. Ensure flame rod wire is connected. Check flame rod for carbon build-up. Disconnect and reconnect all wiring harnesses on unit and PC board. Check all components for electrical short. Check gas solenoid valves for open or short circuits. Remove burner plate and inspect burner surface for condensation or debris.

Code	Fault	Remedy
14	Thermal Fuse	<p>Check gas type of unit and ensure it matches gas type being used.</p> <p>Check for restrictions in air flow around unit and vent terminal.</p> <p>Check for low water flow in a circulating system causing short-cycling.</p> <p>Ensure dip switches are set to the proper position.</p> <p>Check for foreign materials in combustion chamber and/or exhaust piping.</p> <p>Check heat exchanger for cracks and/or separations.</p> <p>Check heat exchanger surface for hot spots which indicate blockage due to scale buildup.</p> <p>Refer to instructions in manual for flushing heat exchanger.</p> <p>Measure resistance of safety circuit.</p> <p>Ensure high fire and low fire manifold pressure is correct.</p> <p>Check for improper conversion of product.</p>
16	Over Temperature Warning	<p>Check for restrictions in air flow around unit and vent terminal.</p> <p>Check for low water flow in a circulating system causing short-cycling.</p> <p>Check for foreign materials in combustion chamber and/or exhaust piping.</p> <p>Check for clogged heat exchanger.</p>
32	Outgoing Water Temperature Sensor Fault	<p>Check sensor wiring for damage.</p> <p>Measure resistance of sensor.</p> <p>Clean sensor of scale build-up.</p> <p>Replace sensor.</p>
33	Heat Exchanger Outgoing Temperature Sensor Fault	<p>Check sensor wiring for damage.</p> <p>Measure resistance of sensor.</p> <p>Clean sensor of scale build-up.</p> <p>Replace sensor.</p>
34	Combustion Air Temperature Sensor Fault	<p>Check for restrictions in air flow around unit and vent terminal.</p> <p>Check sensor wiring for damage.</p> <p>Measure resistance of sensor.</p> <p>Clean sensor of scale build-up.</p> <p>Ensure fan blade is tight on motor shaft and is in good condition.</p> <p>Replace sensor.</p>
52	Modulating Solenoid Valve Signal Abnormal	<p>Check modulating gas solenoid valve wiring harness for loose or damaged terminals.</p> <p>Measure resistance of valve coil.</p>
61	Combustion Fan Failure	<p>Ensure fan will turn freely.</p> <p>Check wiring harness to motor for damaged and/or loose connections.</p> <p>Measure resistance of motor winding.</p>
65	Water Flow Control Fault	<p>If blank screen is present on remote control then the flow control has shorted. Unplug flow control. If remote lights up and unit starts operating then replace flow control assembly.</p>
71	SV0, SV1, SV2, and SV3 Solenoid Valve Circuit Fault	<p>Check wiring harness to all solenoids for damage and/or loose connections.</p> <p>Measure resistance of each solenoid valve coil.</p>
72	Flame Sensing Device Fault	<p>Ensure flame rod is touching flame when unit fires.</p> <p>Check all wiring to flame rod for damage.</p> <p>Remove flame rod and check for carbon build-up; clean with sand paper.</p> <p>Check inside burner chamber for any foreign material blocking flame at flame rod.</p> <p>Measure micro amp output of sensor circuit with flame present.</p> <p>Replace flame rod.</p>
LC or 00	Scale Build-up in Heat Exchanger (when checking maintenance code history, "00" is substituted for "LC")	<p>Flush heat exchanger. See Flushing the Heat Exchanger section.</p>
No Code	Nothing happens when water flow is activated.	<p>Clean inlet water supply filter.</p> <p>On new installations ensure hot and cold water lines are not reversed.</p> <p>Check for bleed over.</p> <p>Isolate unit from building by turning off hot water line to building.</p> <p>Isolate the circulating system if present. Open your pressure relief valve; if water is flowing, there is bleed over in your plumbing.</p> <p>Ensure you have at least the minimum flow rate required to fire unit.</p> <p>Ensure turbine spins freely.</p> <p>Measure the resistance of the water flow control sensor.</p> <p>Check for DC shorts at components.</p>

Troubleshooting for Common Issue

I don't have any hot water when I open the tap.

Make sure there is gas, water, and electricity to the water heater (power is turned on and the gas is turned on).

When I was using the hot water, the water got cold.

If you adjusted the flow from the tap to lessen it, you may have gone below the minimum flow required. This water heater requires a minimum flow rate to operate. (See the specification page for the flow rate of your model.) Decrease the temperature setting at the temperature controller or increase the water flow.

White smoke comes out of the exhaust.

During colder weather when the exhaust temperature is much hotter than the outside air, the exhaust fumes condense producing water vapor.

When I open a hot tap, I do not immediately get hot water.

Hot water must travel through your plumbing from the water heater to the faucet. The time period for hot water to reach your fixture is determined by the amount of water in the plumbing system between the water heater and the fixture, water pressure, and the flow rate of the fixture.

After I turn off the hot water tap, the fan on the water heater continues to run.

The fan is designed to continue running for a short time after the flow of water stops. This is to ensure constant water temperatures during rapid starting and stopping, as well as exhausting any residual gas flue products from the unit.

Accessing Operating Information

To display the most recent error codes press and hold the "On/Off" button for 2 seconds. While holding the On/Off" button press the ▲ button. The last 9 error codes will flash one after the other. To exit this mode press the "On/Off" and ▲ button as before.

To display the water flow through the water heater press and hold the ▲ button for 2 seconds and without releasing the ▲ button press the "On/Off" button.

To display the outlet water temperature press and hold the ▼ button for 2 seconds and without releasing the ▼ button press the "On/Off" button.

Water Quality

Consideration of care for your water heater should include evaluation of water quality. If the water quality exceeds the target levels provided in the table, you may want to treat or condition the water.

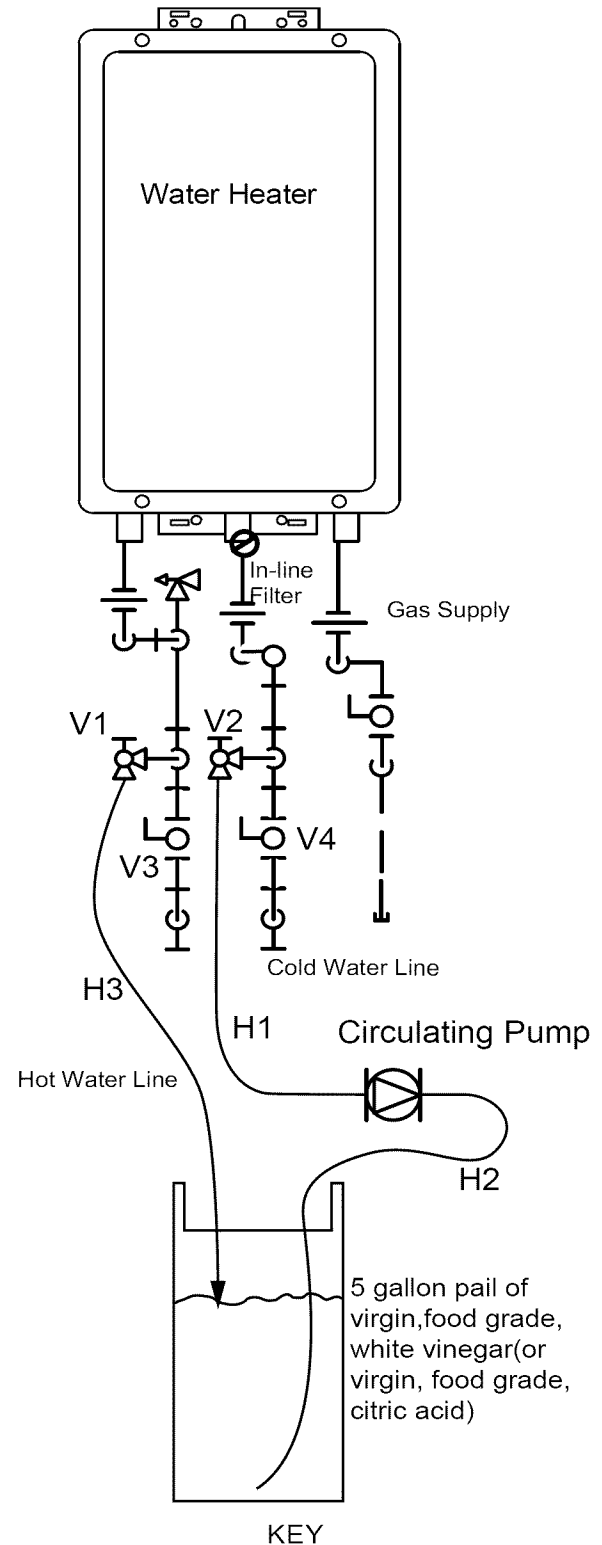
* Source: Part 143 National Secondary Drinking Water Regulations

	Maximum Level
Total Hardness	Up to 200 mg / L
Aluminum *	Up to 0.2 mg / L
Chlorides *	Up to 250 mg / L
Copper *	Up to 1.0 mg / L
Iron *	Up to 0.3 mg / L
Manganese *	Up to 0.05 mg / L
pH *	6.5 to 8.5
TDS (Total Dissolved Solids) *	Up to 500 mg / L
Zinc *	Up to 5 mg / L

Flushing the Heat Exchanger (Error Code: LC or 00)

An "LC" or "00" error code indicates the unit is beginning to lime up and must be flushed. Failure to flush the appliance will cause damage to the heat exchanger. Damage caused by lime build-up is not covered by the unit's warranty. After flushing, reset the LC fault code by turning off the power to the unit and turning the power back on.

1. Disconnect electrical power to the water heater.
2. Close the shutoff valves on both the hot water and cold water lines (V3 and V4).
3. Connect pump outlet hose (H1) to the cold water line at service valve V2.
4. Connect drain hose (H3) to service valve V1.
5. Pour approximately 4 gallons of virgin, food grade, white vinegar or citric acid into pail.
6. Place the drain hose (H3) and the hose (H2) to the pump inlet into the cleaning solution.
7. Open both service valves (V1 and V2) on the hot water and cold water lines.
8. Operate the pump and allow the cleaning solution to circulate through the water heater for at least 45 minutes.
9. Turn off the pump.
 - a. Rinse the cleaning solution from the water heater as follows: a. Remove the free end of the drain hose (H3) from the pail.
 - b. Close service valve, (V2), and open shutoff valve, (V4). Do not open shutoff valve, (V3).
 - c. Allow water to flow through the water heater for 5 minutes.
 - d. Close service valve, (V1), and open shutoff valve, (V3).
10. Disconnect all hoses.
11. Remove the in-line filter at the cold water inlet and clean out any residue. Place filter back into unit.
13. Restore electrical power to the water heater.



KEY			
	3/4" Ball Valve		Pressure Regulator
	3/4" Union		Circulating Pump
	Check Valve		Boiler Drain Valve
	Pressure Relief Valve		Solenoid Valve

Figure 14

WIRING DIAGRAM

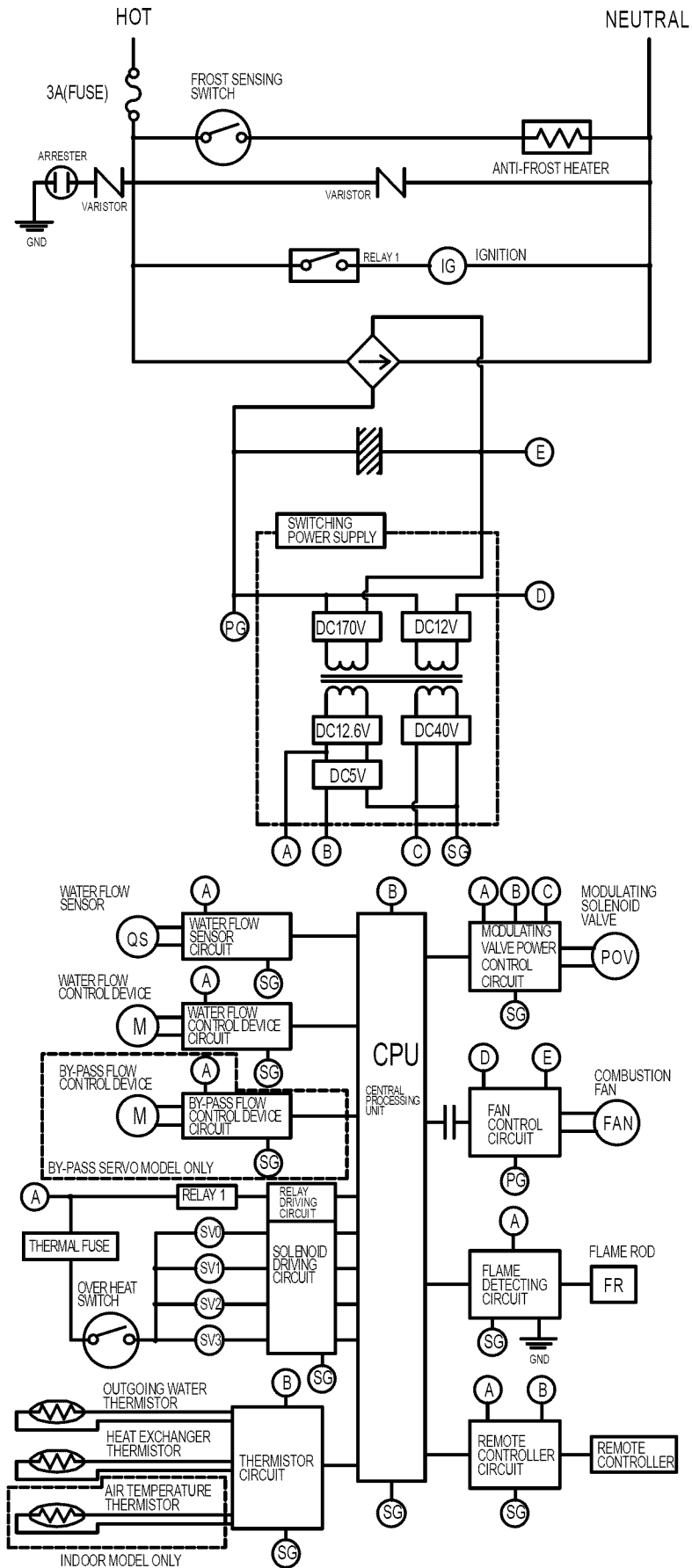


Figure 15

SERVICE AND ADJUSTMENT

Contact Sears Service Center at: 1-800-4-MY-HOME® (1-800-469-4663).

For the convenience of the Qualified Service Technician a Technical Data Sheet has been placed inside the front cover of the water heater. The Technical Data Sheet includes the following important information for Servicing and/or Troubleshooting the water heater:

- Electric schematic (Wiring Diagram) for the water heater and the voltage and/or resistance readings that should be measured at each component connection.
- Procedure for Setting the Gas Pressure.
- Dip Switch Settings
- Operation of the Remote Controller
- Error Codes and Suggested Remedies

Repair Parts List

For exploded parts diagrams and a part number listing refer to the Parts List located inside the front cover of the water heater..

Note:

- Use the 305 Parts List for model numbers 154.330040 and 154.330050
- Use the 505 parts List for model numbers 154.330080 and 154.330090

Kenmore Tankless Water Heater Accessories

Part Number	Description
Remote Controller	
701022-001	Standard Controller - A maximum of 4 temperature controllers can be installed for a water heater or bank of water heaters for convenient temperature adjustment.
Plumbing Installation Kits	
9006486005	3/4" Fittings for solder connection to water supply and distribution piping. Kit includes: 2 Unions, 2 Ball Valves, 2 Drain Valves and 1 Pressure Relief Valve
9006487005	3/4" Fittings for threaded connection to water supply and distribution piping. Kit includes: 2 Unions, 2 Ball Valves, 2 Drain Valves and 1 Pressure Relief Valve
Connection Cables	
9006490005	2-Unit Connection Cable
9006491005	Multi-Unit Connection Kit
9006492005	Multi-Unit Connection Cable
Recess Box	
9006493005	Recess Box for installing water heater between wall studs

NOTES

NOTES

NOTES

Get it fixed, at your home or ours!

Your Home

For expert troubleshooting and home solutions advice:

manage my home

www.managemyhome.com

For repair – **in your home** – of **all** major brand appliances, lawn and garden equipment, or heating and cooling systems, **no matter who made it, no matter who sold it!**

For the replacement parts, accessories and owner's manuals that you need to do-it-yourself.

For Sears professional installation of home appliances and items like garage door openers and water heaters.

1-800-4-MY-HOME® (1-800-469-4663)

Call anytime, day or night (U.S.A. and Canada)

www.sears.com www.sears.ca

Our Home

For repair of carry-in items like vacuums, lawn equipment, and electronics, call anytime for the location of your nearest

Sears Parts & Repair Service Center

1-800-488-1222 (U.S.A.)

www.sears.com

1-800-469-4663 (Canada)

www.sears.ca

To purchase a protection agreement on a product serviced by Sears:

1-800-827-6655 (U.S.A.)

1-800-361-6665 (Canada)

Para pedir servicio de reparación a domicilio, y para ordenar piezas:

1-888-SU-HOGAR®

(1-888-784-6427)

Au Canada pour service en français:

1-800-LE-FOYER^{MC}

(1-800-533-6937)

www.sears.ca

