

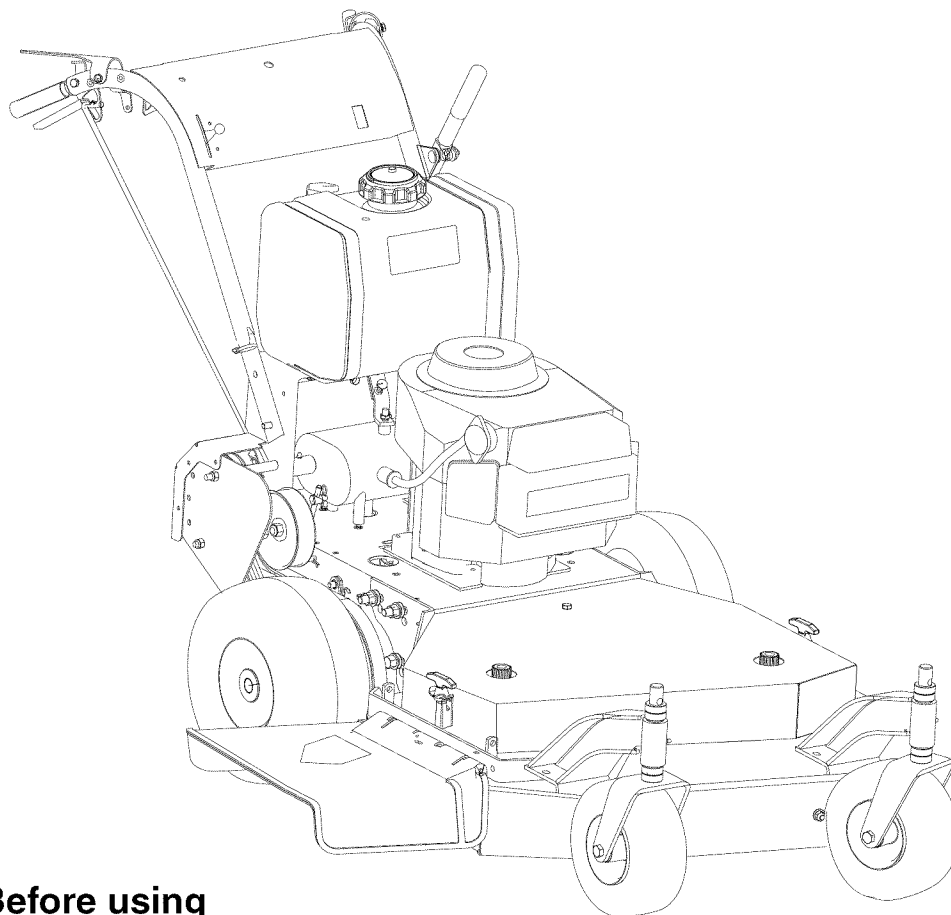
Operator's Manual



12.5 Horse Power

36-inch Wide Cut Mower

Model No. 247.889360



CAUTION: Before using this product, read this manual and follow all Safety Rules and Operating Instructions.

For answers to your questions about this product, call:

1-800-659-5917

Sears Craftsman Help Line

5 a.m. - 5 p.m., Mon - Sat

- **Safety**
- **Assembly**
- **Operation**
- **Maintenance**
- **Parts**
- **Español, p.60**

Sears, Roebuck and Co., Hoffman Estates, IL 60179, U.S.A.

Visit our Sears website: www.sears.com/craftsman

Printed in U.S.A.

FORM NO. 02005404 Rev 09_0

(4/2009)

TABLE OF CONTENTS

Warranty Statement	2	Maintenance	17
Safety Instructions	3	Service and Adjustments	21
Slope Guide	6	Off-Season Storage	24
Repair Protection Agreement	7	Accessories and Attachments	24
Safety Labels	8	Troubleshooting	25
Product Specification	10	Parts List	26
Assembly	11	Expand	60
Operation	12		

WARRANTY STATEMENT

Craftsman Two Year Limited Warranty on 36-inch Wide Cut Mower

When used and maintained according to all supplied instructions, if this Craftsman product fails due to a defect in material within two years from the date of purchase, return it to any Sears store, Parts & Repair Service Center, or other Craftsman outlet in the United States for free repair. In-home warranty service is available, but you will have to pay a trip charge.

This Warranty does not cover:

- Expendable items which become worn during normal use, such as rotary mower blades, blade adaptors, spark plugs, air cleaners, belts, and oil filters.
- Tire replacement or repair caused by punctures from outside objects, such as nails, thorns, stumps, or glass.
- Repairs necessary because of operator abuse, including but not limited to, damage caused by objects, such as stones, metal debris or oversized pieces of wood, or impacting objects that bend the frame or crankshaft, or over-speeding the engine.
- Repairs necessary because of operator negligence, including but not limited to, electrical and mechanical damage caused by improper storage, failure to use the proper grade and amount of engine oil, or failure to maintain the equipment according to the instructions contained in the operator's manual.
- Engine (fuel system) cleaning or repairs caused by fuel determined to be contaminated or oxidized (stale). In general, fuel should be used **within 30 days** of its purchase date.

This warranty applies for only 90 days if this product is ever used for commercial or rental purposes.

This warranty applies only while this product is used in the United States.

This warranty gives you specific legal rights and you may also have other rights, which vary from state to state.

Sears, Roebuck and Co., Hoffman Estates, IL 60179

MODEL NUMBER
Model Number.....
Serial Number.....
Date of Purchase.....
Record the model number, serial number and date of purchase above.

SAFETY



WARNING: This symbol points out important safety instructions which, if not followed, could endanger the personal safety and/or property of yourself and others. Read and follow all instructions in this manual before attempting to operate this machine. Failure to comply with these instructions may result in personal injury. When you see this symbol - **heed its warning.**

WARNING: Engine Exhaust, some of its constituents, and certain vehicle components contain or emit chemicals known to State of California to cause cancer and birth defects or other reproductive harm.

DANGER: This machine was built to be operated according to the rules for safe operation in this manual. As with any type of power equipment, carelessness or error on the part of the operator can result in serious injury. This machine is capable of amputating hands and feet and throwing objects. Failure to observe the following safety instructions could result in serious injury or death.

GENERAL

1. Read this Operator's Manual completely before starting the mower. Study the controls and learn the proper sequence of operation. Retain Operator's Manual in a safe place for future reference.

IMPORTANT: If the operator cannot read English or Spanish, the owner is responsible for explaining the information in this manual.

2. Do not allow anyone to operate or maintain this machine who has not read the manual. **Never permit children under the age of 16 to operate this machine.**
3. Always have your feet and hands clear of the cutter deck when starting the engine.
4. Do not remove any shields, guards, decals or safety devices. If a shield, guard, decal or safety device is damaged or does not function, repair or replace it before operating the mower.
5. Always wear safety glasses, long pants and safety shoes when operating or maintaining this mower. Do not wear loose-fitting clothing, or have loose long hair or jewelry.
6. Never run the engine indoors without adequate ventilation. Exhaust fumes are deadly.
7. To avoid serious burns, do not touch the engine or muffler while the engine is running or until it has cooled for at least 30 minutes after it has been shut off.
8. Do not allow anyone to ride on this mower. No passengers.
9. Do not operate this mower under the influence of alcohol and or drugs.
10. Do not operate or store the machine or fuel container inside where there is an open flame, spark or pilot light such as a water heater, furnace, clothes dryer, etc.
11. The owner is responsible for training the users, and is responsible for accidents or injuries occurring to themselves or others.

OPERATION



WARNING: Never mow in fifth gear (transport speed).

1. **Keep adults, children and pets away from the area to be mowed. (75 feet recommended)**
2. Never use this mower without the discharge chute installed and set in the down position (except when material collection system is used.)
3. Mow only in daylight or proper artificial light.
4. Always remove debris and other objects from the area to be mowed.
5. Watch for holes, sprinkler heads and other hidden hazards.
6. Reduce speed when making sharp turns.
7. Always have proper footing on slopes and hill sides and never operate when conditions are slippery.
8. Always keep both hands on the handles when mowing. Always walk, never run.
9. Never engage the blade clutch when the engine is running unless you are on grass that you intend to mow.
10. Be careful when crossing gravel paths or roadways. Always disengage the blade clutch and wait until the blades stop rotating.
11. Never leave the mower unattended without disengaging the blade clutch, shifting the transmission into neutral, placing the neutral latch levers in the neutral lock position, shutting off the engine, removing the key from the ignition switch and closing the fuel shutoff valve.
12. Always park the mower and start the engine on a level surface with the transmission in neutral, the blade clutch disengaged and the neutral latch levers in the neutral lock position.
13. Shut off the engine and wait for the blades to stop rotating before removing the grass catcher.
14. If you hit a solid object while mowing, disengage the blade clutch, shift the transmission into

neutral, place the neutral latch levers in the neutral lock position and stop the engine. Disconnect the spark plug wire(s) and inspect for damage. Repair any damage and make sure the blades are in good condition and the blade bolts are tight before restarting the engine.

15. Do not mow excessively steep slopes (No more than 15 degrees or a 26.8% grade). Mow across the slope.



WARNING: Do not mow up and down the slope. You could slip and slide into the mower, or the mower could lose traction and steering control.

16. Never raise the mower deck while the blades are rotating.
17. Never walk or stand on the discharge side of a mower with the engine running. Disengage the blade clutch if another person approaches while you are operating a mower.
18. Always disconnect the spark plug wire to prevent the engine from accidentally starting before performing any maintenance on this mower.
19. Keep the mower and especially the engine clean and free of grease, grass and leaves to reduce the chance of fire and to permit proper cooling.
20. The operator presence control levers located at each handle are designed for your safety. Do not try to defeat their operation. If the blade clutch is engaged or the transmission is in gear, releasing both handles will shut off the mower's engine.

MAINTENANCE AND STORAGE



WARNING: Never let children or untrained people operate or service this mower.

1. Never tamper with safety devices. Check their proper operation regularly.
2. Check bolts and screws for proper tightness at frequent intervals to keep the machine in safe working condition. Also, visually inspect machine for any damage and repair, if needed.
3. Before cleaning, repairing, or inspecting, stop the engine and make certain all moving parts have stopped. Disconnect the spark plug wire and ground it against the engine to prevent unintended starting.
4. Do not change the engine governor settings or overspeed the engine. The governor controls the maximum safe operating speed of the engine.
5. Maintain or replace safety and instruction labels, as necessary.
6. Follow this manual for safe loading, unloading, transporting, and storage of this machine. (See page 16 and page 24)
7. Never store the machine or fuel container inside where there is an open flame, spark or pilot light such as a water heater, furnace, clothes dryer, etc.

8. Always refer to the operator's manual for proper instructions on off-season storage. (See page 24)
9. If the fuel tank has to be drained, do this outdoors.

Observe proper disposal laws and regulations for gas, oil, etc. to protect the environment.

RELATED TO FUEL

1. Fuel is highly flammable and its vapors can explode if ignited. Please respect it.
2. Do not smoke or permit others to smoke while handling fuel.
3. Always use approved containers for fuel and fill slowly to decrease the chance of static electricity buildup and spillage.
4. Store fuel in well ventilated and unoccupied buildings away from sparks and flames.
5. When dispensing gasoline into approved containers, place the container on the ground when refueling to avoid a possible static electricity ignition of fuel vapors.
6. Do not fill containers while it is inside a vehicle, trunk, the bed of a pickup or floor of a trailer.
7. Always shut off the engine and permit it to cool before removing the fuel tank cap.
8. Always fill the fuel tank outdoors.
9. If the fuel container spout will not fit inside the fuel tank opening, use a funnel.
10. When filling the fuel tank, stop when the fuel reaches one inch from the top. This space is necessary for tank expansion. **Do not overfill.**
11. Wipe up any spilled fuel.
12. Do not operate or store the machine or fuel container inside where there is an open flame, spark or pilot light such as a water heater, furnace, clothes dryer, etc.

SLOPE OPERATION

DO:

- Mow across slopes, and exercise caution when turning or changing direction.
- Watch for holes, ruts or bumps and hidden objects.
- Be sure of your footing. A slip could cause personal injury.
- Check the area thoroughly before mowing.
- Slow down and use extra care.

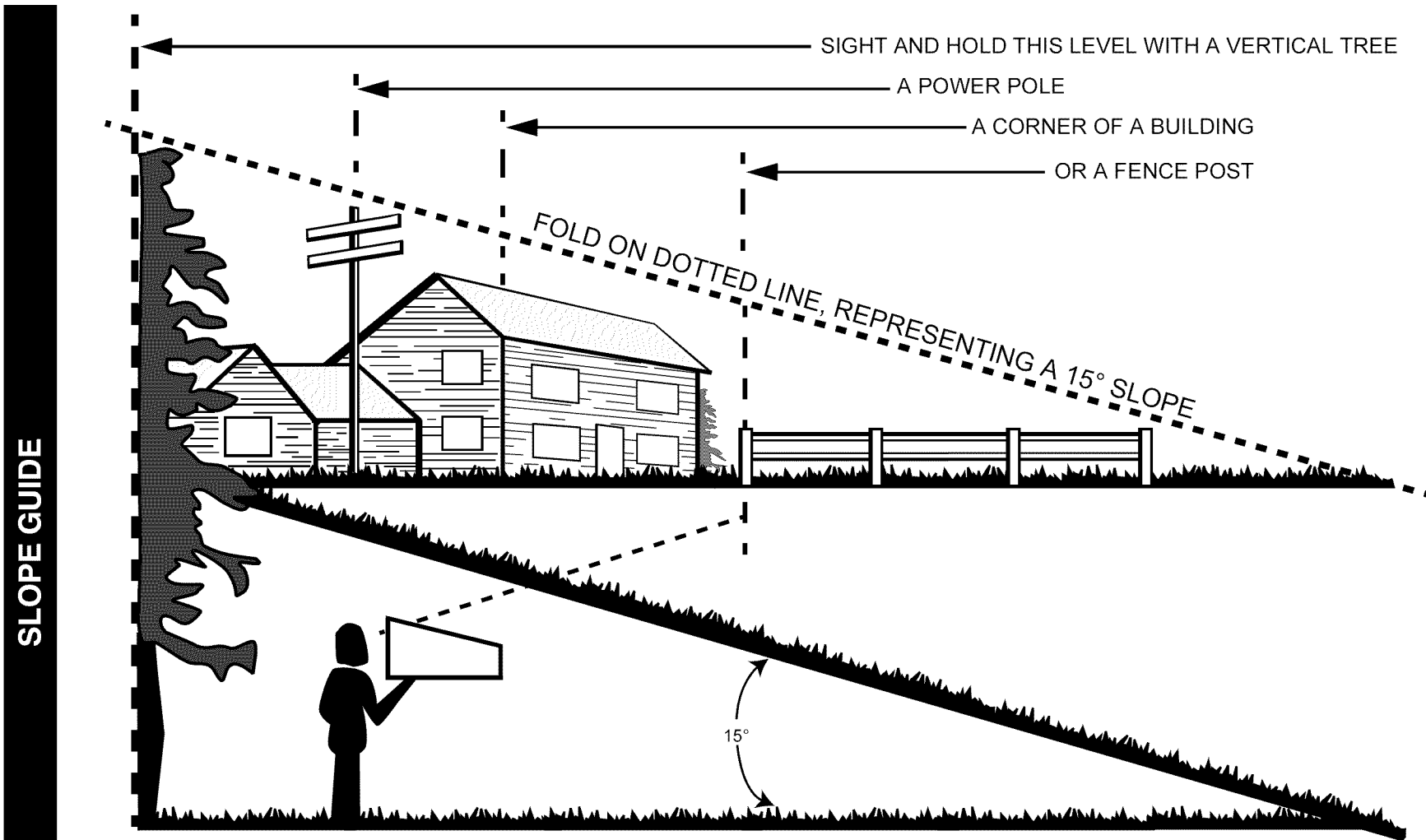
DO NOT:

- **Do not** mow up and down slopes.
- **Do not** mow near drop offs, ditches, embankments, etc. The mower could suddenly turn over if a wheel is over the edge of a cliff or ditch, or if an edge caves in.
- **Do not** mow on wet or slippery grass. Reduced traction could cause sliding.
- **Do not** mow on slopes greater than 15 degrees as shown on the slope gauge.

FIRST TIME OPERATORS

- Start off in a flat, open, area.
- Keep bystanders away.
- Set the throttle to low speed.
- Practice maneuvering (forward, turn left, turn right, reverse), without the mower deck engaged.

USE THIS PAGE AS A GUIDE TO DETERMINE SLOPES WHERE YOU MAY NOT OPERATE SAFELY.



SLOPE GUIDE



WARNING

Do not mow on inclines with a slope in excess of 15 degrees (a rise of approximately 2-1/2 feet every 10 feet). A riding mower could overturn and cause serious injury. If operating a walk-behind mower on such a slope, it is extremely difficult to maintain your footing and you could slip, resulting in serious injury.

Operate ZERO-TURN mowers across the face of slopes, never up and down slopes.

Operate WALK-BEHIND mowers across the face of slopes, never up and down slopes.

REPAIR PROTECTION AGREEMENT

Congratulations on making a smart purchase. Your new Craftsman® Professional product is designed and manufactured for years of dependable operation. But like all products, it may require repair from time to time. That's when having a Repair Protection Agreement can save you money and aggravation.

Here's what the Repair Protection Agreement* includes:

- ✓ **Expert service** by our 10,000 professional repair specialists
- ✓ **Unlimited service and no charge** for parts and labor on all covered repairs
- ✓ **Product replacement** up to \$1500 if your covered product cannot be fixed
- ✓ **Discount of 10%** from regular price of service and related installed parts not covered by the agreement; also, 10% off regular price of preventive maintenance check
- ✓ **Fast help by phone-** we call it Rapid Resolution- phone support from a Sears representative. Think of us as a "talking owner's manual."

Once you purchase the Repair Protection Agreement, a simple phone call is all that it takes for you to schedule service. You can call anytime day or night, or schedule a service appointment online.

The Repair Protection Agreement is a risk-free purchase. If you cancel for any reason during the product warranty period, we will provide a full refund. Or, a prorated refund anytime after the product warranty period expires. Purchase your Repair Protection Agreement today!

Some limitations and exclusions apply. For prices and additional information in the U.S.A. call 1-800-827-6655.

***Coverage in Canada varies on some items. For full details call Sears Canada at 1-800-361-6665.**

Sears Installation Service

For Sears professional installation of home appliances, garage door openers, water heaters, and other major home items, in the U.S.A. or Canada call 1-800-4-MY-HOME®

SAFETY LABELS

WARNING

OPEN BELT DRIVE

**STOP ENGINE BEFORE
REACHING UNDERNEATH**

Part Number: 01001036

**PLACE FOOT HERE
WHEN STARTING**

Part Number: 777I22931



WARNING

- TURN OFF ENGINE AND ALLOW TO COOL BEFORE REFUELING.
- DO NOT SMOKE NEAR FUEL.

Part Number: 01001036

**CLOSE FUEL VALVE
WHEN MACHINE IS
NOT IN USE.**



**IF VALVE IS LEFT OPEN,
SEVERE ENGINE DAMAGE
OR HARD STARTING MAY
RESULT FROM FLOODING.**

Part Number: 777I22930

	<h2>⚠ DANGER</h2> <p>AVOID SERIOUS INJURY OR DEATH</p> <ul style="list-style-type: none">• KEEP HANDS AND FEET AWAY FROM ROTATING PARTS.• REMOVE OBJECTS THAT CAN BE THROWN BY THE BLADE IN ANY DIRECTION. WEAR SAFETY GLASSES.• DO NOT MOW WHEN CHILDREN OR OTHERS ARE AROUND.• USE EXTRA CAUTION ON SLOPES. DO NOT MOW SLOPES GREATER THAN 15°. MOW ACROSS NEVER UP AND DOWN. NEVER PULL MOWER CLOSE TO YOUR FEET. LOOK DOWN AND BEHIND BEFORE AND WHILE MOVING BACKWARDS.	
<p>READ OPERATOR'S MANUAL . KEEP SAFETY DEVICES (BLADE CONTROL, TRAILING SHIELD, DISCHARGE COVER, ETC.) IN PLACE AND WORKING. IF DAMAGED, REPLACE IMMEDIATELY.</p>		

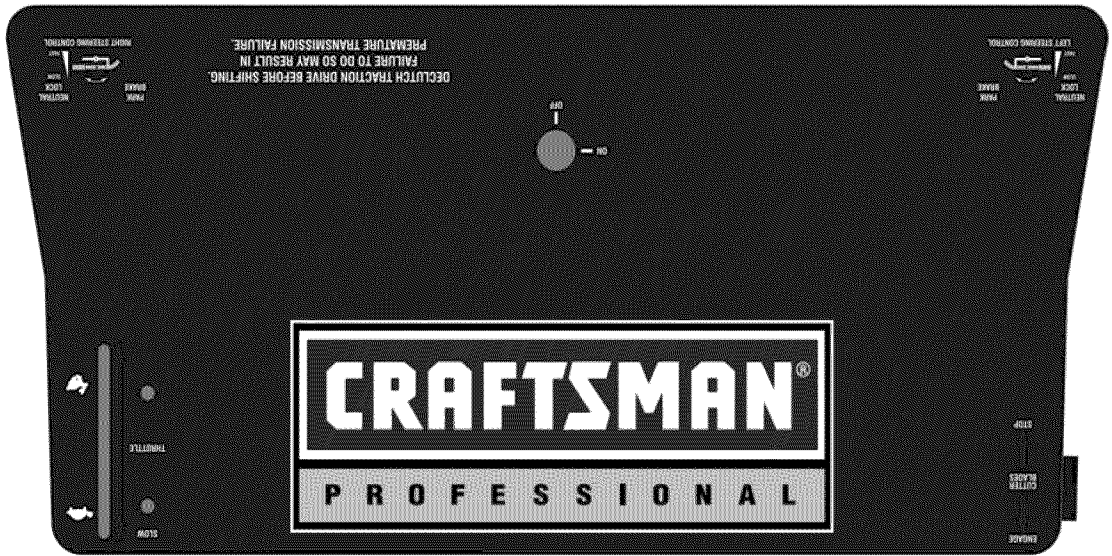
Part Number: 777S30116



WARNING

**SHIELD MISSING
DO NOT OPERATE**

Part Number: 00030635



Part Number: 777I22919

<p>WARNING Serious bodily injury may result from failure to follow safe operator procedure</p> <ul style="list-style-type: none"> • Read the operator's manual before operating this machine. • Remove objects that could be thrown by the blade. • Do not remove or disable any shields, guards or safety devices. • Always check the wheels or engage the parking brake if so equipped when transporting the machine or when parking on a grade. • Stop engine, disconnect spark plug and disengage blade drive before adjusting or servicing. • Do not mow when children and others are around. • Do not add fuel while engine is warm or running. • Use caution on slopes, go across slopes, not up and down. • Before leaving the operator's position: <ul style="list-style-type: none"> - Disengage cutter blades. - Place transmission in neutral and engage neutral locks. - Wait for all movement to stop. • Do not allow operation of the machine by untrained personnel. • Look down and behind before and while moving backwards. 	<p>FOR FIRST-TIME OPERATORS</p> <ul style="list-style-type: none"> • Start Off in A Field, Open Area. • Keep Bystanders Away. • Set Throttle At A Low Speed. • Practice Manuevering, (Forward, Reverse, Left, Right) WithOut Book Engaged. <p>CRAFTSMAN PROFESSIONAL</p> <p>777S33036</p>
--	---

Part Number: 777S33036



Part Number: 01002166



Part Number: 777S30503



Part Number: 777I22929

PRODUCT SPECIFICATION

GENERAL INFO.	
Controls:	Engine ignition; throttle; choke; left and right operator presence levers; left and right steering/brakes; blade clutch; transmission shift
Parking:	Transmission in 1st, neutral latches released, rear wheels chocked in front
Frame:	7 gauge steel
Front Caster Wheels:	9 x 4.0-5 semi-pneumatic
Drive Wheels:	13 x 6.50-6 pneumatic, 10-12 psi
Fuel Tank:	5 gallons, regular unleaded
Ground Speed: (approximate)	1st=2.0mph, 2nd=2.6mph, 3rd=3.1mph, 4th=4.0mph, 5th=6.0mph, Reverse=2.2mph
Net Weight:	460 lbs

ENGINE INFO.	
Engine:	12.5 Briggs I/C, recoil start, dual element air cleaner
Oil Type:	SAE 15W40, 1.2 quart
Spark plug:	759-3336, 0.030" gap

TRACTION DRIVE INFO.	
Traction Drive:	5 speed forward with reverse assist

CUTTER DECK INFO.	
Cutter Deck; Drive:	36" fabricated steel; belt driven
Cutting Height:	2" to 4" in 1/4" increments
No. of Blades	2 at 18" long
Spindle:	aluminum housing with taper roller bearings, greasable
Pulleys:	machined-cast iron for drive

ASSEMBLY

IMPORTANT: This unit is shipped **with oil in the engine.** After assembly, see OPERATION section of this manual for fuel and engine oil details.

NOTE: *Reference to right and left hand side of the mower is observed from the operating position.*

This pedestrian controlled wide area mower has been completely assembled at the factory.

LOOSE PARTS IN CARTON

The following items are packaged in a bag:
Operator's Manual and Engine Manual

TOOLS NEEDED FOR ASSEMBLY

A tire Gauge

REMOVING THE UNIT FROM THE CRATE

1. Cut straps securing unit to pallet.
2. Remove any protective packaging and plastic tie straps.

REMOVING THE CHUTE STRAP

1. Locate the chute strap which secures the discharge chute in a vertical position.
2. Pull chute back towards the engine. While holding the chute with one hand, cut the strap with the other hand.

FINAL ADJUSTMENTS

Tire Pressure

The recommended operating rear tire pressure is 10-12 psi. The caster wheels are semi-pneumatic and do not require air pressure. Check the tire pressure periodically and maintain equal pressure in both rear tires at all times.

IMPORTANT: Refer to the tire sidewall for exact tire manufacturer's recommended or maximum psi. Do not overinflate. Uneven tire pressure could cause the cutting deck to mow unevenly.

OPERATION

Know Your Mower

Read this operator's manual and safety rules before operating your Mower. Compare the illustrations below with your equipment to familiarize yourself with the location of various controls, safety signs and adjustments. Save this manual for future reference.

The operation of any lawn mower can result in foreign objects being thrown into the eyes, which can damage your eye severely. **Always wear safety glasses**, while operating the mower or while performing any adjustments or repairs on it. Check local regulations, hard hats and hearing protection may be required! Use only approved accessories and attachments.

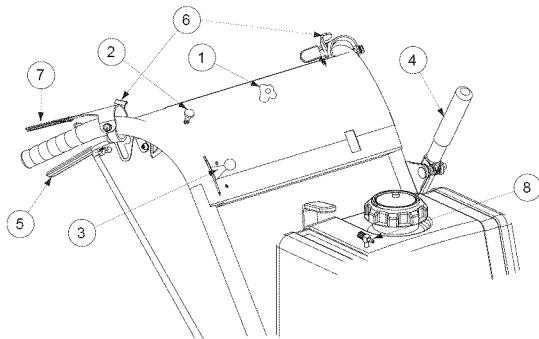


Figure 1 The Control Panel

- | | |
|-------------------------------|-------------------------|
| 1. Ignition Switch | 2. Choke |
| 3. Engine Throttle | 4. Blade Clutch lever |
| 5. Right Steering Brake Lever | 6. Neutral Latch Levers |
| 7. Operator Presence Lever | 8. Fuel Shutoff Valve |

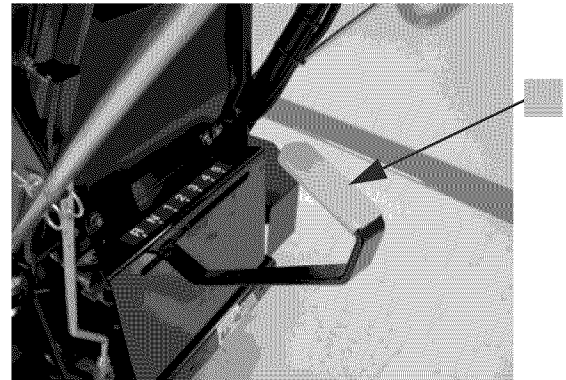


Figure 2 View Looking Under The Fuel Tank

9. Transmission Shift Lever

OPERATING CONTROLS (See Figure 1 & 2)

Ignition Switch:

Located in the center of the control panel between the handles. When the key is inserted and turned clockwise 90 degrees, the engine can be started if the transmission shift lever is in neutral and the blade clutch is disengaged.

Choke:

Located on the control panel and is activated by pulling upward. Activating the choke control closes the choke plate on the carburetor and aids in starting the engine.

Engine Throttle:

Located on the right side of the control panel between the handles. Moving the throttle lever upward will increase the engine speed from slow to fast.

Blade Clutch:

Located on the left handle below the control panel. This is an over-center belt clutch. When the handle is pushed forward it snaps to rest and forces the idler pulley into the blade drive belt causing the blades to rotate. Pull back the handle and the pressure on the belt is relieved and the blades stop rotating.

IMPORTANT: To avoid engine stalling, slowly engage the lever.

Steering Brake Levers:

There is a right-hand lever located beneath the outer end of the right handle and a left-hand lever located beneath the outer end of the left handle. Each lever operates independently and when squeezed against spring tension, lifts the idler pulley from applying pressure to the traction drive belt on the right or left side and applies the right or left side brake when squeezed tightly. When the levers are released, the mower will move ahead in a straight line if the engine is running and the transmission is engaged in a forward gear. Steering is accomplished by squeezing the steering/brake lever on the side to which the turn is to be made. A slight lever squeeze will allow belt slippage and provide a gentle turn. Squeezing the lever such that the neutral latch could be engaged will provide a sharp turn, and continued lever squeezing will apply the brake providing a pivot turn.

Neutral Latch Levers:

Pivoted inside each handle, there is a neutral latch lever which works with each of the steering/brake levers. When either of the steering/brake levers is

Meets ANSI B71.4 safety standards

Craftsman pedestrian controlled wide area mower conform to the safety standard of the American National Standards Institute (ANSI).

squeezed and its neutral latch lever pushed forward and engaged in the neutral lock position, the steering/brake lever is held in a position where the idler pulley is not applying pressure to the traction drive belt and the brake is not engaged.

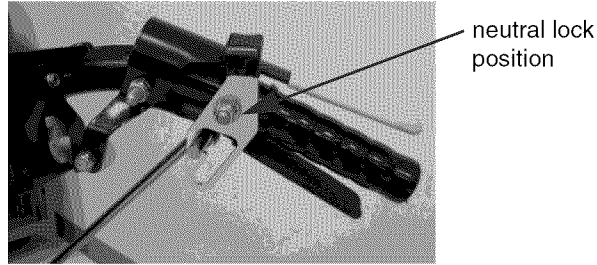


Figure 3

IMPORTANT: The neutral latch levers must be engaged in the neutral lock position before starting the engine. They should not be loose so that they will stay in the unlocked position unless moved.

Operator Presence Levers:

Located above the outer ends of the right and left handles, at least one of these operator presence levers must be held down on the handles against spring pressure in order to shift the transmission shift lever into gear or engage the blade clutch. Releasing the operator presence levers with either the transmission shift lever in gear or the blade clutch engaged will shut off the engine.

IMPORTANT: One or both operator presence levers must be depressed when in gear or mowing.

Fuel Shutoff Valve:

Located on top of the fuel tank is the fuel shutoff valve. The handle turns 90 degrees. When the handle is in a horizontal position, it will shut off the flow of fuel to the engine. When it is turned to a vertical position, it will open and allow fuel to flow to the engine. Anytime the mower is being trailered or, if the mower will not be in use for 30 minutes or more, close the fuel shutoff valve to prevent flooding the engine.

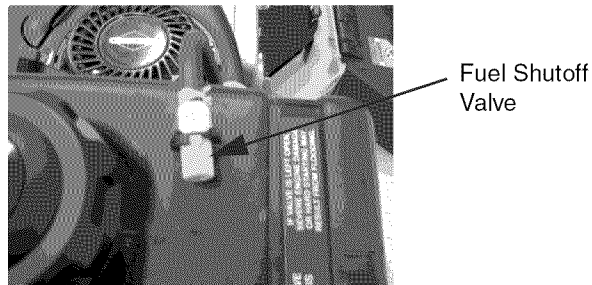


Figure 4

Transmission Shift Lever:

Located under the control panel. The lever has seven positions moving from the left to the right: Reverse Gear, Neutral, First Gear, Second Gear, Third Gear, Fourth Gear and Fifth Gear. The lever

must be in the Neutral position in order to start the engine. Never attempt to mow in Fifth Gear. Fifth Gear should be used for transport only.

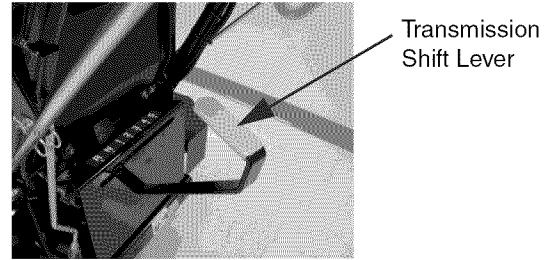


Figure 5

IMPORTANT: DO NOT shift the transmission from one forward gear to another while unit is moving. Stop forward travel, shift gear, then resume movement.

GAS AND OIL FILL-UP

Oil

IMPORTANT: The mower is shipped with motor oil in the engine; however, you **MUST** check the oil level before operating. Oil should be changed once after the first five hours of operation and every 40 hours of operation thereafter. Use the grade of engine oil specified in the Maintenance section.

- Remove oil fill dipstick from the oil fill tube.
- Check that the level of oil is up to the FULL mark on the dipstick. If needed, pour oil slowly into the oil fill tube until a FULL oil level is achieved.
- Replace oil fill dipstick and tighten.

Gasoline

- Remove fuel cap from the fuel tank.
- Make sure the container from which you will pour the gasoline is clean and free from rust or foreign particles. Never use gasoline that may be stale from long periods of storage in its container. Gasoline that has been sitting for any period longer than four weeks should be considered stale.
- Fill fuel tank with clean, fresh, unleaded regular gasoline (87 ROM) only no more than one inch below bottom of filler neck to provide space for fuel expansion. Replace fuel cap.
- To avoid engine problems, the fuel system should be emptied before storage for 30 days or longer. Drain the fuel by shutting off the fuel valve and running the engine until it stops. Use fresh fuel next season. See STORAGE section for additional information.

DANGER: Never refuel or drain the fuel system indoors, or operate or store near an open flame, spark, or ignition source.

- Check the fuel level periodically to avoid running out of gasoline while operating the mower.

INITIAL ADJUSTMENTS

1. Disconnect the spark plug wire.
2. Check that all nuts, bolts and screws are tight.
3. Check the tension of the deck drive belts:
 - a. Remove the deck cover shield and engage the blade clutch.
 - b. Make sure the belts clear the belt guides by 1/8" to 1/4".
 - c. The tension of the deck drive belts should be adjusted so that a ten-pound pull between two pulleys deflects each belt about 1/2" (See Figure 19 page 19). Do not overtighten these belts. The blade clutch should engage with only moderate force.
 - d. Replace the deck cover shield and disengage the blade clutch.
4. The tension of the transmission drive belt should be adjusted so that a five-pound pull between the engine traction drive pulley and the transmission drive pulley deflects the belt about 3/16". (See Figure 20 page 20)
5. The two drive wheel belts are self-adjusting.
6. The steering control rods on each side of the handle assembly should initially be adjusted so that there is about a 1/4" to 3/8" space between the rod and the bottom of the slot in the neutral latch lever with the latch in the drive position (See Figure 6.) To make this adjustment, remove the large hairpin from the swivel joint at the bottom of each steering control rod and thread the swivel joint up or down the rod as needed.

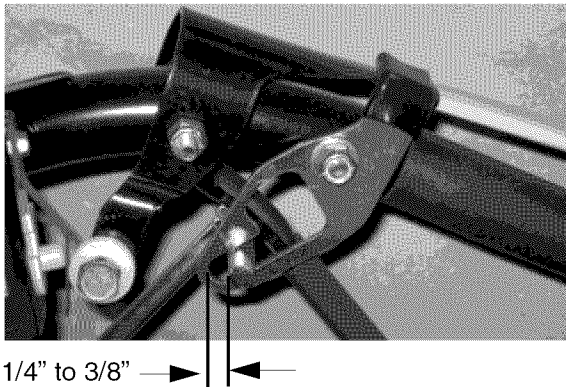


Figure 6

7. The brake rods (above each drive wheel) should be adjusted so that when the steering/brake levers are squeezed and the mower is pulled backward, the brakes lock the drive wheels. The machine should roll freely when the neutral latch lever is in the neutral lock position. To adjust the brake rods, remove the large hairpin from the swivel joint at the top of each brake rod and thread the swivel joint up or down the rod as

needed.

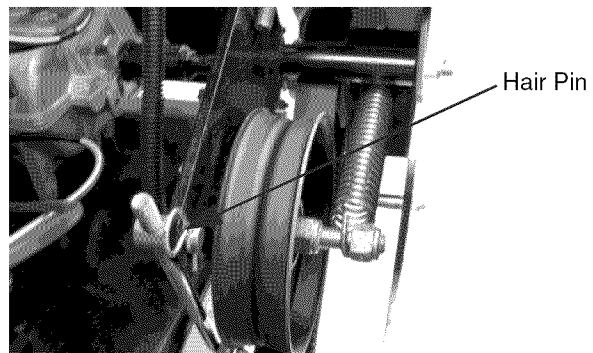


Figure 7

8. Adjusting the cutting height: The mower is shipped with the cutting height set at 3 inches \pm 1/4 inch depending on the air pressure in the tires. To change the cutting height, blade spacers and/or caster spacers must be moved according to the cutting height adjustment table. (Figure 24 and 25, page 22)
9. Lubricate all fittings listed in the maintenance section.

TO START THE MOWER

IMPORTANT: First time operators should refer to the procedure stated on page 5.



WARNING: Never run the engine indoors or in a poorly ventilated area. Engine exhaust contains carbon monoxide, a deadly, odorless gas.

1. Make certain you thoroughly understand all of the safety precautions before you attempt to operate this machine.
2. Move the mower outdoors to a "test area" where you can operate the mower for about half an hour without being disturbed.
3. Shift the transmission to neutral (N) position.
4. Disengage the blade clutch.
5. Place the neutral latch levers in the neutral lock position.
6. Connect the spark plug wire.
7. Open the fuel shutoff valve.
8. Move the throttle lever to a mid range position and pull the "Choke" all the way out.
9. Put the key in the ignition switch and turn the switch on.
10. To start engine using recoil starter:
 - a. Stand on left side (as viewed from behind handlebars) of machine. Be sure your feet are safely away from the underside of the mower deck and all mower controls are released. Stabilize mower by placing foot

as indicated below in Figure 8.

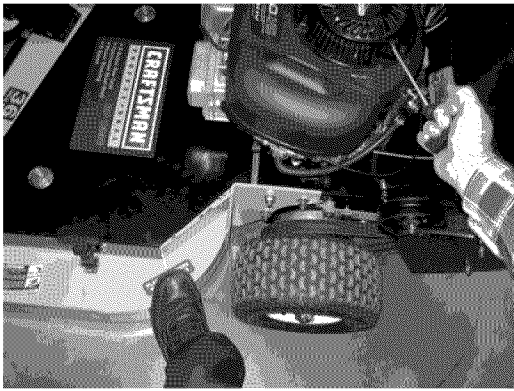


Figure 8

- b. Grasp starter rope handle and pull slowly until rope pulls slightly harder. Let rope rewind slowly. Then pull rope with a rapid, full arm stroke. Let rope return slowly. If engine fails to start after three pulls, repeat instructions (try setting throttle at fast setting).
- c. When engine starts, operate in fast throttle setting (move choke control to off).

KNOW YOUR MOWER

1. After the engine has warmed up, shut off the ignition and check the operation of the safety switches. Make certain that the engine will not start unless the ignition switch is turned on, the transmission is in neutral and the blade clutch is disengaged. Place the neutral latch levers in the neutral lock position. If the engine will start with the transmission in any gear (not neutral), immediately shut off the engine and contact customer service at 1-800-659-5917 or log on to managemyhome.com. If the engine will start with the blade clutch engaged, immediately shut off the engine and contact customer service at 1-800-659-5917 or log on to managemyhome.com. To check operator presence controls:
 - a. Start the engine and hold the left operator presence control lever down against the left handle and move the transmission shift lever into first gear. Now take your hand off the operator presence control lever and the engine should die. If it does not, immediately shut off the engine and contact customer service at 1-800-659-5917 or log on to managemyhome.com.
 - b. Repeat this procedure using the right operator presence control lever.
 - c. Shift the transmission into neutral, restart the engine, hold one of the operator presence controls down against the handle and engage the blade clutch. Now take your hand off of the operator presence lever and

the engine should die. If it does not, immediately shut off the engine and disengage the blade clutch and contact customer service at 1-800-659-5917 or log on to managemyhome.com.

2. With the neutral latch levers engaged restart the engine.
3. Push the blade clutch lever forward until it engages and the cutter blades start rotating.
4. Shift the transmission into first gear. (It is suggested that you practice mowing in first gear.)
5. Squeeze both steering/brake levers with both hands and release the neutral latch levers from the neutral lock position.
6. Slowly release the steering/brake levers and the mower will move ahead in a straight line. To turn the mower, squeeze the steering/brake lever on the side to which you want to turn.
7. To stop the mower's forward motion, squeeze both steering/brake levers until the mower stops and place the neutral latch levers into the neutral lock position.

IMPORTANT: Squeezing the control levers from the released position to the Neutral lock position releases traction-drive belt tension. Additional squeezing of these levers applies the service brakes. Applying the left brake will create a counter clockwise pivot or u-turn and applying the right brake will create a clockwise pivot or u-turn. Applying both brakes will stop the machine without turning.

8. Before shifting into reverse gear, the mower's forward motion must be completely stopped. For maximum traction in reverse, the steering/brake levers should be pushed downward.



DANGER: Look behind the mower before and during Reverse operation. Stop the mower blades before operating in Reverse.



WARNING: To avoid possible bodily injury and to prevent damage to the transmission, the mower must be completely stopped before attempting to shift from forward to reverse or reverse to forward.

9. Practice operating the mower and as you gain confidence, shift the transmission from first to second and mow for a while and then shift from second to third. Mow for at least one-half hour and then return the mower to the shop.



WARNING: The machine should not be shifted-on-the-go as transmission damage could occur, causing the machine to suddenly stop! Stop the machine, then shift.

10. To stop and shut off the mower, squeeze both steering/brake levers and place the neutral latch levers into the neutral lock position, disengage the blade clutch, shift the transmission into neutral, turn off the ignition to stop the engine, close the

fuel shutoff valve and disconnect the spark plug wire.

11. Check that all nuts, bolts and screws are still tight.
12. Check, and adjust if necessary, the tension of the deck drive belts and the transmission drive belt as described in items 3 and 4 of the Initial Adjustment section.
13. Readjust the steering control rods and the brake rods. They may require frequent adjustment until the belts and brake bands have properly seated. These adjustments are described in items 6 and 7 of the Initial Adjustment section.
14. After the first full day of mowing, all nuts, bolt and screws should be rechecked for proper tightness and the belts should be rechecked for proper tension.

USING THE MOWER

IMPORTANT: First time operators should refer to the procedure stated on page 5.

1. Be sure area is clear of rocks, sticks, toys, wire, or other objects that could be thrown by the mower. Survey the entire area to be mowed. Make sure that the accessories and attachments would be suitable for use on the terrain.
2. With the neutral latches locked and the operator presence levers depressed, select a mowing speed. (a slower speed is suggested during first time use.)
3. Engage the mower by pushing the blade clutch lever forward until it locks.
4. Squeeze the steering control levers and release the neutral latches.
5. Slowly release the steering control levers and the mower should go straight ahead.
6. To operate in Reverse, look behind and down before backing up to be sure the path is clear.
7. Be aware of the mower discharge and do not point it at anyone, or onto sidewalks and streets.
8. Use care when approaching blind corners, shrubs, trees or other objects that could obstruct vision.
9. To mow grass and produce a striped pattern:
 - a. Pick a point on the opposite side of the area to be mowed (post, tree, shrub, etc).
 - b. If on a hillside, start at the bottom so that the turns are uphill rather than downhill.
 - c. Align the mower so as to head directly toward the object on the far side.
 - d. Slowly increase the speed of the machine to match cutting conditions, terrain, and operator familiarity with the controls and keep the machine headed directly toward the alignment object. Do not go fast as to reduce cut quality or to be uncomfortable in controlling the speed and direction of the

machine.

- e. When approaching the other end of a strip, slow down or stop before turning. A U-turn is recommended.
 - f. To prevent rutting or grooving of the turf, change the direction that the strips are mowed by approximately 45 degrees the next and each subsequent time that the area is mowed.
 - g. If the grass is repeatedly mowed in the same direction, it will be "trained" so that the Striped appearance is more pronounced and longer lasting. Grooving of the turf from the tires will occur.
10. For emptying material collection systems or for any other operation involving the mower deck, before leaving the operator station:
 - shut off the mower deck.
 - place the transmission in neutral.
 - latch the neutral locks.
 - shut off the engine.
 - apply wheel chocks.

TRANSPORTING MOWER

1. If ramps are used, be sure they are secured to the trailer, truck bed, etc. and are designed for the application.
2. The mower should be pushed or pulled onto or off the trailer, truck bed, etc., never try to drive it on.
3. Turn the fuel valve off.
4. Secure mower with chocks, straps, etc.
5. Make sure accessories and attachments are secured or removed.

MAINTENANCE

GENERAL RECOMMENDATIONS



WARNING: Never let children or untrained people operate or service the mower.

- Always observe safety rules when performing any type of maintenance on the mower.
- The warranty on this lawn mower does not cover items that have been subjected to operator abuse or negligence. To receive full value from the warranty, operator must maintain the equipment as instructed in this manual.
- Changing of engine-governed speed will void engine warranty.
- Periodically check all fasteners and make sure they are tight.



WARNING: Always stop the engine and disconnect and ground the spark plug wire before performing any maintenance or adjustments.

Engine Oil: Use Shell Rimula 15W40 oil or any 10W30 or 15W40 oil rated SJ or higher.

Spindle Lubricant: Use only Shell Alvania RL 2 grease. This grease is an amber-colored grease designed for high speed bearing applications. It has a base oil viscosity that reduces running losses, has been formulated for low noise, has excellent corrosion protection, and has excellent bearing lubrication.

General Purpose Lubrication: Use any NLGI grade 2 multi-purpose grease. Shell Albida EP2 is recommended. Shell Albida EP 2 is a red-colored multi-purpose grease designed for heavy-duty bearing applications. It has high base oil viscosity for mechanical stability, has been formulated for high load, low-speed applications, and has excellent lubrication and corrosion protection.

LUBRICATION (See Figures 9, 10 & 11)

Daily

- **Cutter Blade Spindle Bearings-** There are two grease positions. See Figure 9 item A.
- **Caster Wheel Bearing-** There are two grease positions. See Figure 9 item B.
- **Caster Wheel Pivot Shafts-** There are two grease positions. See Figure 9 item C.
- **Deck Idler Pulley Pivot Arms-** There is one grease position. See Figure 9 item D.

Every 40 Hours

- **Drive Wheel Bearings-** There are two grease positions. See Figure 10 item E.
- **Brake Lever Pivots-** There are two grease positions. See Figure 10 item F.
- **Blade Clutch Bellcrank Pivot-** There is one grease position. See Figure 11 item G.

- **Transmission-Jackshaft Couplers-** There are two grease positions. See Figure 11 item H

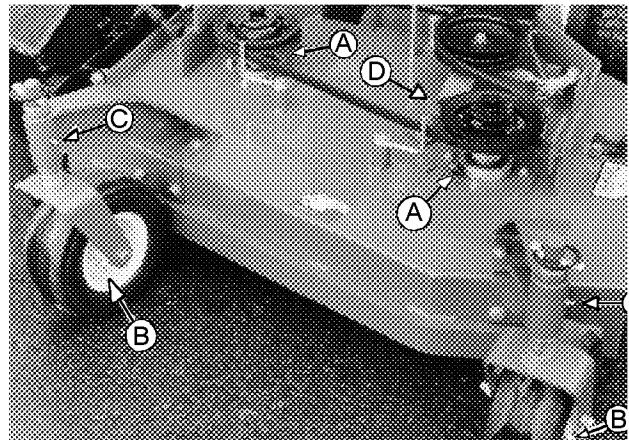


Figure 9

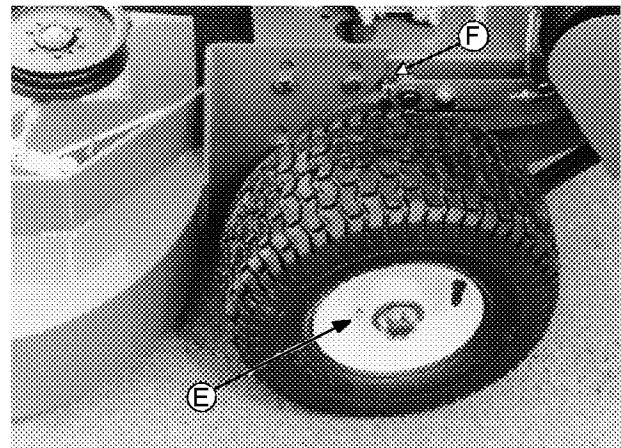
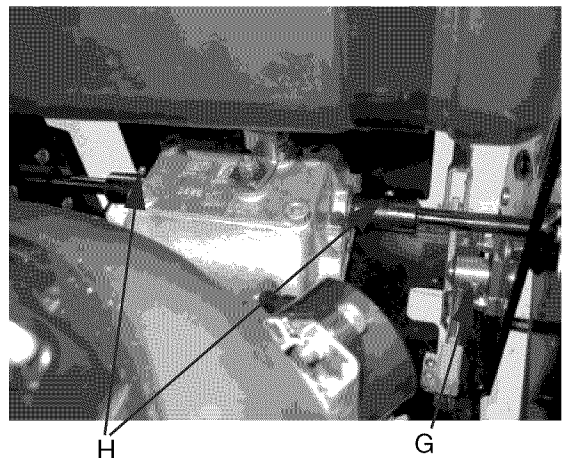


Figure 10



View looking from the front

Figure 11

ENGINE MAINTENANCE

For detailed maintenance instructions for the engine on your mower, see the separate engine manual packed with your mower.

CHANGING ENGINE OIL

1. Place a container underneath the mower on the right hand side.
2. Remove oil drain plug, and replace when oil stops draining. (See Figure 12)

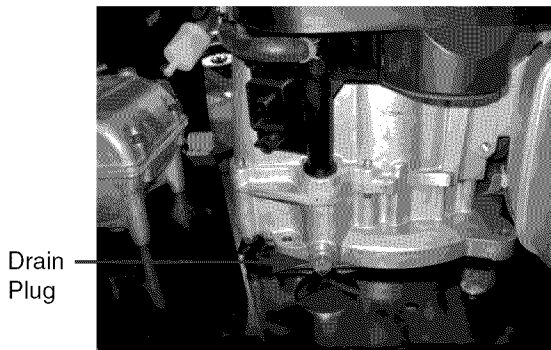


Figure 12

3. Refill oil through the fill tube to the level indicated as "full" on the dipstick. (See Figure 13)

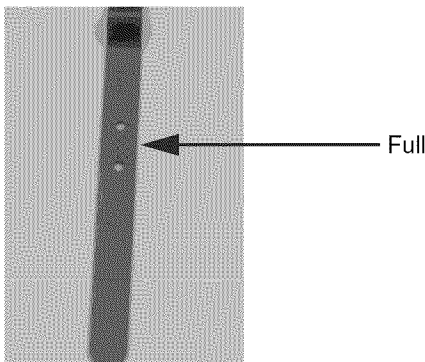


Figure 13

CHANGING THE AIR FILTER

1. Pull cover to open and expose filter.
2. Remove and replace filter.
3. Close cover.

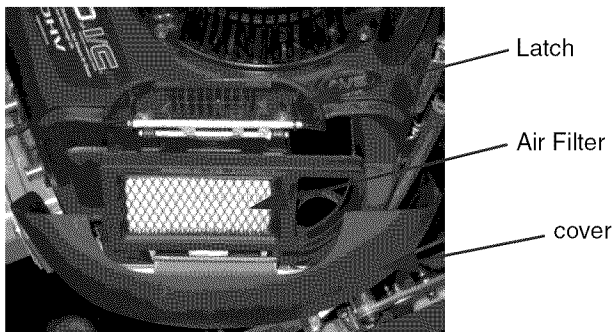


Figure 14

CHANGING THE FUEL FILTER

1. Squeeze the clamps on either side of the fuel filter hose, and move them away from the filter approximately one inch.
2. Pull the hoses off the filter.

3. Remove old filter and insert new filter into hoses, and move clamps near filter.

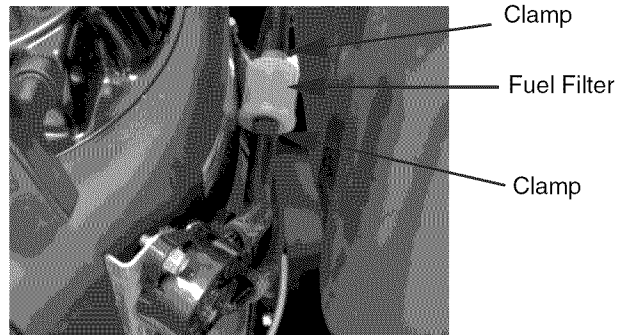


Figure 15

SERVICE SPARK PLUG



WARNING: Do not at any time make any adjustment to the unit without first stopping engine and disconnecting spark plug wire.

- Clean the spark plug and reset the gap to .030" at least once a season or every 50 hours of operation. See Figure 16. Spark plug replacement is recommended at the start of each season. Refer to engine parts list for correct spark plug type.

NOTE: Do not sandblast spark plug. Spark plug should be cleaned by scraping or wire brushing and washing with a commercial solvent.

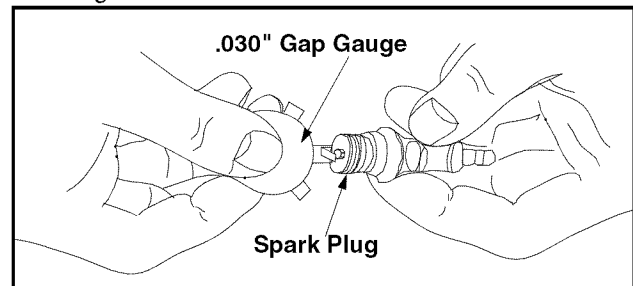


Figure 16

CHANGING A BLADE (See Figure 17 & 18)



WARNING: Mower blades are sharp. Wear gloves or wrap blades to protect yourself from the sharp edges.

1. Remove the deck cover.
2. Tip the mower back and block up the front of the deck.
3. Place one wrench on the hex head bolt under the blade. Use a second wrench to remove the locknut on top of the spindle pulley.
4. Remember the number of blade spacers both

above and below the spindle.

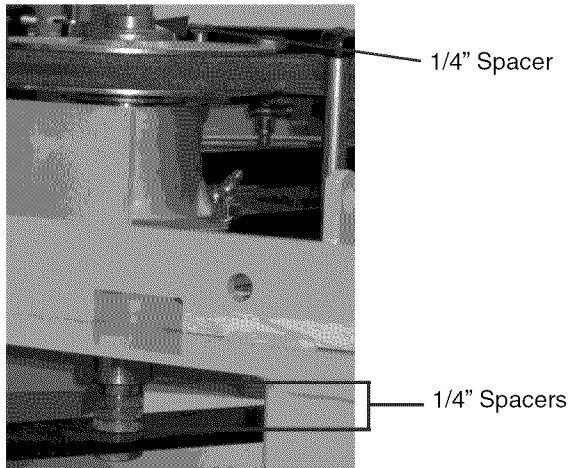


Figure 17

5. Remove the long (9-1/2") blade bolt, the flat washer, the blade and the blade spacers.
6. To replace the blade, reverse the above procedure. Be careful to replace the blade spacers correctly above and below the spindle. This is not a timed blade system and since blade overlap is provided, orientation is not important.

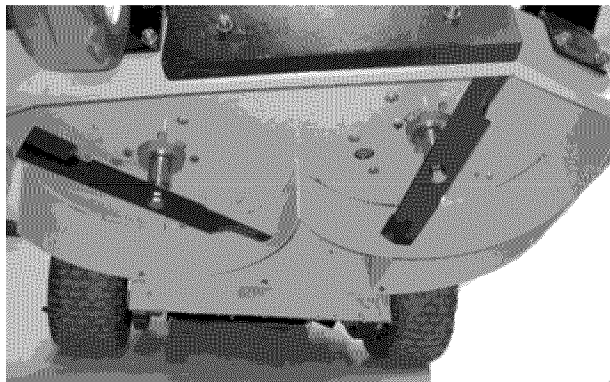


Figure 18

SHARPENING A BLADE

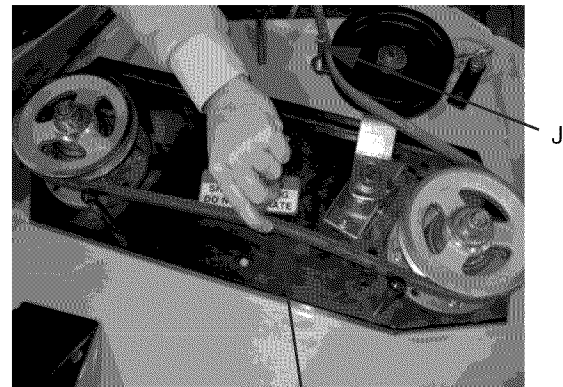
1. To sharpen a blade, clamp the blade in a vise and, using a flat mill file, carefully file the cutting surface on each end of the blade to a sharp edge.
2. Blades with severe nicks or dents that cannot be removed by filing should be replaced.
3. It is important that each cutting blade edge be ground equally to maintain proper blade balance. A poorly balanced blade will cause excessive vibration and may cause damage to the mower and result in personal injury. The blade can be tested by balancing it on a round shaft screwdriver. Grind metal from the heavy side until it balances evenly.

CHANGING THE BLADE DRIVE BELTS

(See Figure 19)

1. Make sure the blade clutch is disengaged.

2. Remove the deck cover. (This requires a 9/16" wrench)
3. Remove the cap screw which serves as a belt guide and is mounted in the idler pulley arm. (Item J, Figure 19.)
4. Slip the long blade drive belt off of the pulleys.
5. Place a new long blade drive belt through the belt guide and loop it around the engine pulley and then around the two deck pulleys. The belt's back side should ride on the idler pulley.
6. Replace the cap screw, lock washer and nut in the idler pulley arm.
7. The idler pulleys should be adjusted so that when the blade clutch is engaged, a ten-pound pull between two pulleys deflects either belt about 1/2" (See Figure 18.) Do not overtighten these belts. The blade clutch should engage with only moderate force.
8. Replace the deck cover, and secure with 9/16" nut.



1/2" deflection

Figure 19

CHANGING THE TRANSMISSION DRIVE BELT: (See Figure 20)

1. Make sure the blade clutch is disengaged.
2. Working under the engine deck, take the long blade drive belt off of the engine pulley.
3. Loosen the locknut (item I, Figure 20) holding the transmission drive belt idler pulley in place and slide the pulley away from the transmission drive belt.
4. Remove the old belt and mount a new belt onto the pulleys.
5. Slide the idler pulley back onto the belt and tighten the locknut holding it in place. The idler pulley should be adjusted so that a five-pound pull on the belt between the engine pulley and the transmission pulley deflects the belt about 3/16".

- Replace the long blade drive belt on the engine pulley.

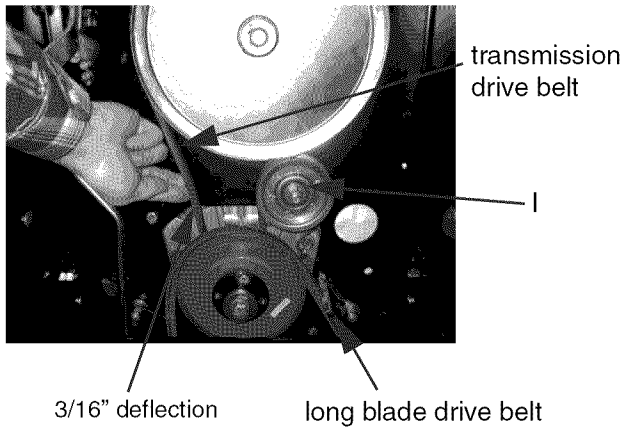


Figure 20

CHANGING EITHER TRACTION DRIVE BELT:

- Remove the hex screws which hold the belt guards in place. Remove the belt guards.

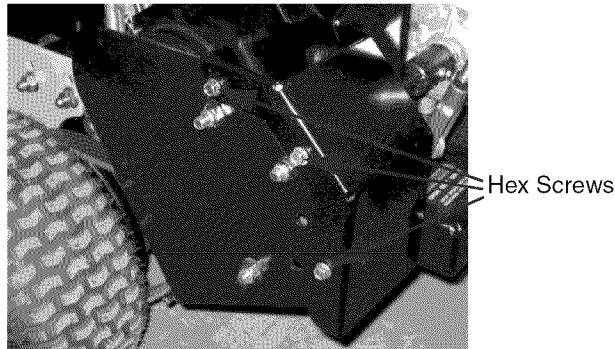


Figure 21

- Place the neutral latch lever in the neutral lock position.
- Remove the hairpin cotters from the two swivel joints which are inserted through the idler bracket and remove the swivel joints from the idler bracket.
- Lift up on the idler bracket with one hand while removing the belt from the jackshaft pulley with the other hand. (See Figure 22.)

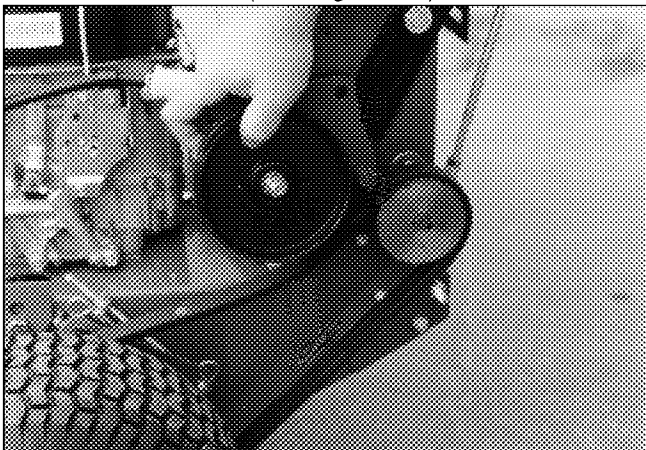


Figure 22

- Prop up the side of the mower and slip the belt over the drive wheel.
- Slip the new traction drive belt over the drive wheel and loop it over the jackshaft pulley while lifting up on the idler bracket.
- Insert the swivel joints in the holes in the idler bracket and replace the hairpin cotters.
- Replace the belt guards and the hex screws.

CHANGING A SPINDLE ASSEMBLY

- Make sure the blade clutch is disengaged.
- Remove the deck cover.
- Remove the blade. (See changing a blade on page 18.)
- Remove the blade drive belts. (See changing the blade drive belts on page 19.)
- Remove the pulley.
- Tip the mower back and block up the front of the deck.
- Remove the four bolts and locknuts holding the spindle assembly to the deck.
- Remove the spindle assembly.

SERVICE AND ADJUSTMENTS



WARNING: Do not at any time make any adjustment to the unit without first stopping engine and disconnecting spark plug wire.

ADJUSTING THE LITE-TOUCH

Three holes in the belt guard allow you to reposition the hex cap screw to adjust the brake lever. The top hole (lite tension), the middle hole (medium tension) and the lower hole (hard tension). The unit is shipped with the hex screw in the top hole. SEE FIGURE 25 BELOW FOR REFERENCE. To adjust the bolt do the following:

1. Remove the hex screws retaining the outer belt guard. (See Figure 21 page 20)
2. Remove the upper nut retaining the inner belt guard, and loosen the lower nut (DO NOT REMOVE). (See Figure 25)
3. With a spring puller, pull the spring and detach it from the hex cap screw. (See Figure 23)

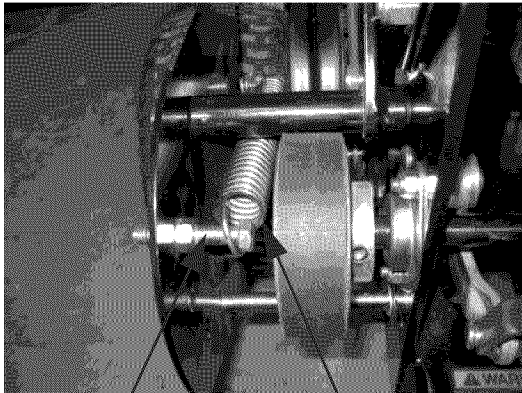


Figure 23

4. Remove the lock nut from the lite touch hole in the inner belt guard. (See Figure 24)



Figure 24

5. Pull the inner belt guard away from the unit. This will give clearance to remove the bolt. Note: If you

are having difficulty removing the bolt, continue to loosen the lower nut on the inner belt guard (BUT DO NOT REMOVE). Remove the bolt and nut. (See Figure 25)

6. Reposition the bolt and nut into the middle or lower hole and retighten the nut. (See Figure 25)
7. Using a spring puller, reattach the spring to the hex cap screw. (See Figure 23)
8. Reposition the inner belt guard, reinstall the upper nut, and retighten the lower and upper nuts. (See Figure 25)
9. Reposition the outer belt guard, reinstall the hex screws. (See Figure 21 page 20)

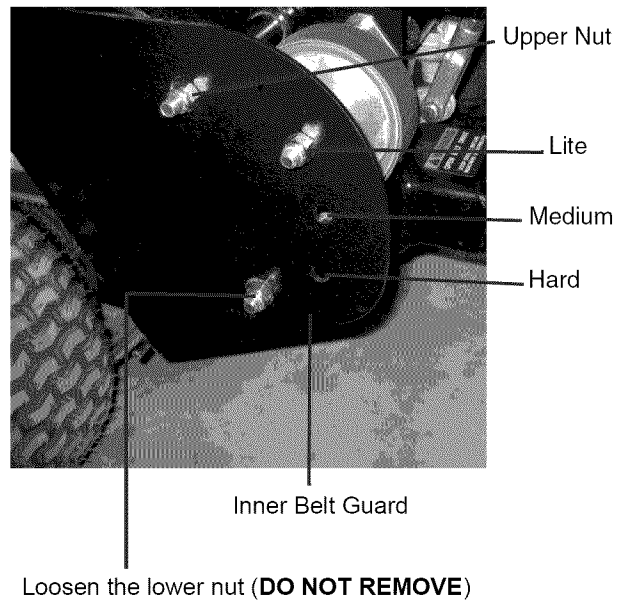


Figure 25

CUTTING HEIGHT ADJUSTMENT TABLE

Note: The front edge of the cutting deck should be 1/8" - 1/4" below the rear edge of the deck so that the blades are cutting grass in only the front half of their circular path. This decreases friction and reduces the drive power required.

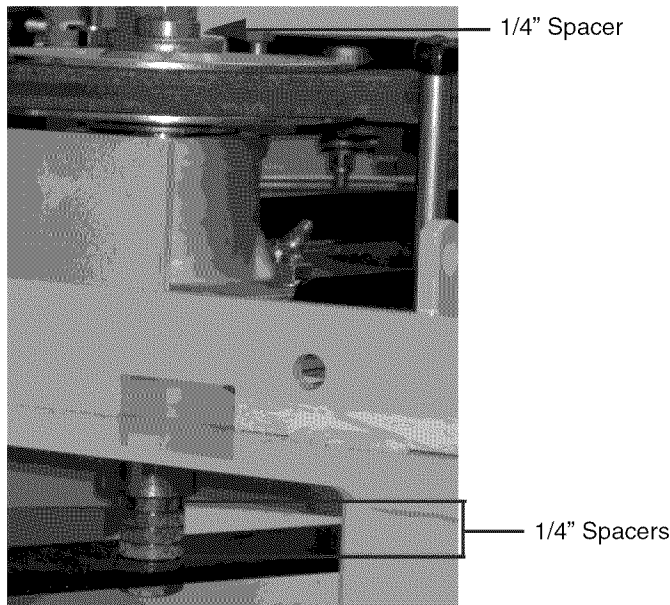


Figure 24

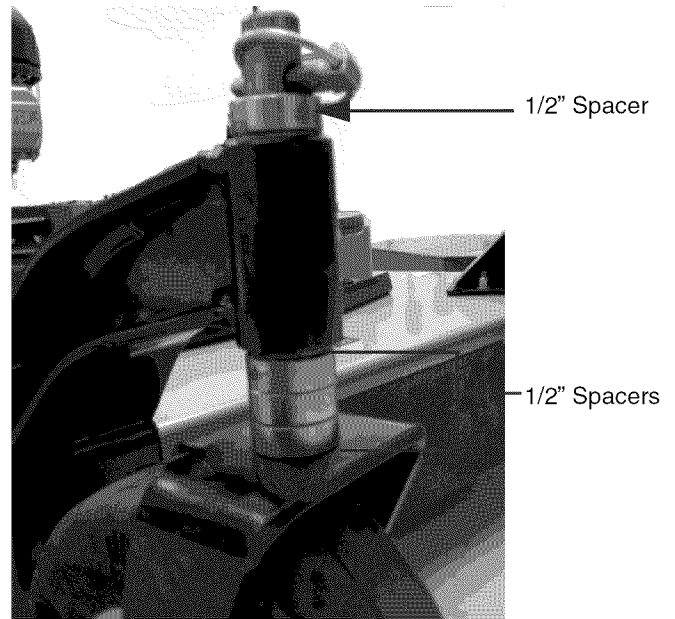


Figure 25

Approximate Cutting Height	1/4": Blade Spacers Above and Below The Spindle Assemblies (See Figure 24)		1/2" Caster Spacers Above and Below The Caster Bracket (See Figure 25)		
	Inches	Above	Below	Above	
2	0	5	3	1	Engine Deck bolted to upper holes on cutting deck.
2-1/8	1	4	3	1	
2-3/8	2	3	3	1	
2-1/2	1	4	2	2	
2-3/4	2	3	2	2	
3	3	2	2	2	
3-1/4	4	1	2	2	
3-1/2	5	0	2	2	
2-3/4	0	5	2	2	AS DELIVERED
3	1	4	2	2	
3-1/4	2	3	2	2	Engine Deck bolted to lower holes on cutting deck.
3-1/2	3	2	2	2	
3-3/4	4	1	2	2	
3-1/4	0	5	1	3	
3-1/2	1	4	1	3	
3-3/4	2	3	1	3	
4	3	2	1	3	

MAINTENANCE SCHEDULE



WARNING

Before performing any type of maintenance/service, disengage all controls and stop the engine. Wait until all moving parts have come to a complete stop. Disconnect spark plug wire and ground it against the engine to prevent unintended starting. Always wear safety glasses during operation or while performing any adjustments or repairs.

Follow the maintenance schedule given below. This chart describes service guidelines only. Use the Service Log column to keep track of completed maintenance tasks. **To locate the nearest Sears Service Center or to schedule service, simply contact Sears at 1-800-4-MY-HOME®.**

Interval	Item	Service	Service Log
Each Use	<ol style="list-style-type: none"> 1. Mower Blades 2. Loose or missing hardware 3. Belts 4. Engine oil level 5. Fuel level 6. Controls 7. Cutter Blade Spindle Bearings 	<ol style="list-style-type: none"> 1. As required 2. Tighten or replace 3. Check 4. Check 5. Check 6. Check for proper orientation 7. Lubricate 	
1st 5 hours	<ol style="list-style-type: none"> 1. Engine oil 	<ol style="list-style-type: none"> 1. Change 	
40 hours	<ol style="list-style-type: none"> 1. Engine oil 2. Air cleaner 3. Mower blades 4. Spark plug 5. Follow lubrication chart 	<ol style="list-style-type: none"> 1. Change 2. Clean or replace 3. Sharpen and balance 4. Clean, replace, re-gap 5. Lubricate 	
Before Storage	<ol style="list-style-type: none"> 1. Fuel System 	<ol style="list-style-type: none"> 1. Run engine until it stops from lack of fuel or add a gasoline additive to the gas in the tank. 	

OFF-SEASON STORAGE



WARNING

Never store lawn mower with fuel in tank indoors or in poorly ventilated areas where fuel fumes may reach an open flame, spark, or pilot light as on a furnace, water heater, clothes dryer, or gas appliance. Never refuel or drain the fuel system indoors.

PREPARING THE ENGINE

For engines stored over 30 days:

1. To prevent gum from forming in fuel system or on carburetor parts, turn off the fuel valve, run the engine until it stops from lack of fuel or add a gas-line additive to the gas in the tank. If you use a gas additive, run the engine for several minutes to circulate the additive through the carburetor, after which the engine and fuel can be stored up to six months.
2. While engine is still warm, change the oil.
3. Remove spark plug and pour approximately 1 oz. (30 ml) of clean engine oil into the cylinder. Pull the recoil starter several times to distribute the oil, and reinstall the spark plug.
4. Clean engine of surface debris.

PREPARING THE LAWN MOWER

- When storing the mower in an unventilated or metal storage shed, care should be taken to rustproof the non-painted surfaces. Using a light oil or silicone, coat the equipment, especially any springs, bearings, and cables.
- Remove all dirt from exterior of engine and equipment.
- Store equipment in a clean, dry area. Do not store in an area where equipment is present that may use a pilot light or has a component that can create a spark, or open flame.

ACCESSORIES AND ATTACHMENTS

PART NO.	DESCRIPTION
33317	Bagger Grass Collector
33318	Mulch Kit

TROUBLESHOOTING



WARNING

Before performing any type of maintenance/service, disengage all controls and stop the engine. Wait until all moving parts have come to a complete stop.

Disconnect spark plug wire and ground it against the engine to prevent unintended starting. Always wear safety glasses during operation or while performing any adjustments or repairs.

NEED MORE HELP?

You'll find the answer and a more on managemyhome.com – for free!

- Find this and all your other product manuals online.
- Get answers from our team of home experts.
- Get a personalized maintenance plan for your home.
- Find information and tools to help with home projects.



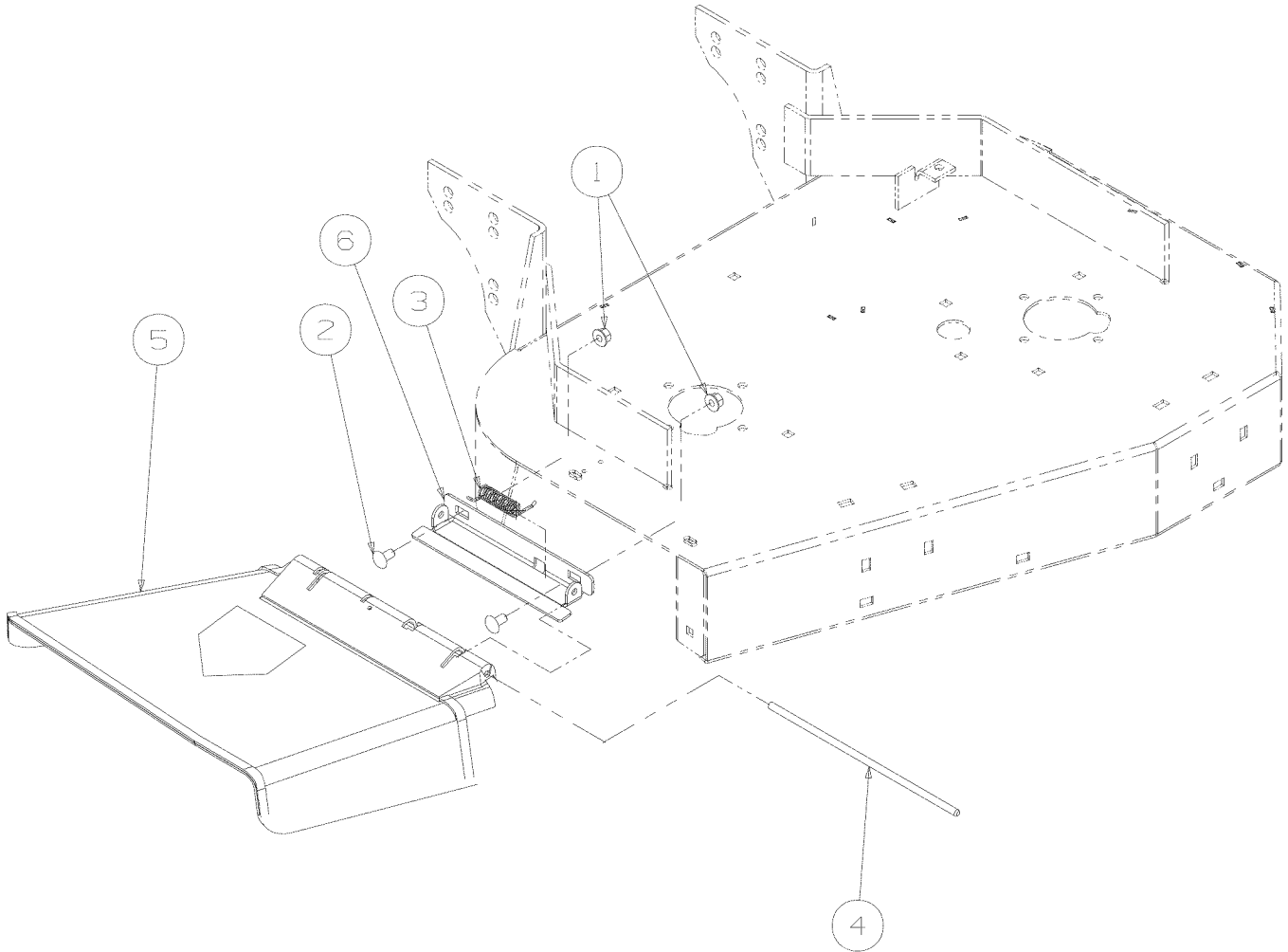
This section addresses minor service issues. To locate the nearest Sears Service Center or to schedule service, simply contact Sears at 1-800-4-MY-HOME®.

IMPORTANT: Before performing any troubleshooting, make sure: transmission is in Neutral, Neutral latches are locked on the control levers, blade clutch is disengaged and in the “OFF” position.

Problem	Cause	Remedy
Engine fails to start	<ol style="list-style-type: none"> 1. Choke not activated 2. Throttle/choke control not in correct position 3. Spark plug wire disconnected 4. Faulty spark plug 5. Fuel tank empty or stale fuel 6. Blocked fuel line 	<ol style="list-style-type: none"> 1. Place throttle/choke control lever into choke position.. 2. Place throttle/choke lever into fast position. 3. Connect wires to spark plug. 4. Clean, adjust gap, or replace. 5. Fill tank with clean, fresh gasoline. 6. Have fuel line cleaned by a Sears service dealer.
Engine runs erratically	<ol style="list-style-type: none"> 1. Unit running with choke applied 2. Spark plug wire loose 3. Stale fuel. 4. Water or dirt in fuel system. 5. Dirty air cleaner 	<ol style="list-style-type: none"> 1. Move throttle/choke lever out of choke position. 2. Connect and tighten spark plug wire. 3. Fill tank with fresh gasoline. 4. Drain fuel. Refill with fresh fuel. 5. Replace air cleaner cartridge.
Engine overheats	<ol style="list-style-type: none"> 1. Engine oil level low 2. Air flow restricted 	<ol style="list-style-type: none"> 1. Fill engine with proper amount and type of oil. 2. Clean grass clippings and debris from around the engine's cooling fins and blower housing.
Engine hesitates at high RPM's	<ol style="list-style-type: none"> 1. Spark plug gap set too close 	<ol style="list-style-type: none"> 1. Remove spark plug and adjust gap
Engine idles poorly	<ol style="list-style-type: none"> 1. Fouled spark plug 2. Dirty air cleaner 	<ol style="list-style-type: none"> 1. Replace spark plug and adjust gap. 2. Replace air cleaner cartridge.
Excessive vibration	<ol style="list-style-type: none"> 1. Cutting blades loose or unbalanced 2. Damaged, dull, or bent cutting blade 3. Loose hardware 	<ol style="list-style-type: none"> 1. Tighten blade and spindle. Balance blade. 2. Replace blade. 3. Tighten all nuts and bolts.
Unit fails to propel itself	<ol style="list-style-type: none"> 1. Drive belts loose or damaged 	<ol style="list-style-type: none"> 1. Replace drive belt.
Poor mowing performance	<ol style="list-style-type: none"> 1. Dull blade(s) 2. Broken, loose, or worn belt(s) 3. Blade(s) out of balance 	<ol style="list-style-type: none"> 1. Sharpen or replace blade(s). 2. Replace belt(s). 3. Balance or replace blade(s).

PARTS LIST

Sears Craftsman 12.5 H.P. 36-inch Wide Cut Mower Model 247.889360



GD: 01005995-P04

Sears Craftsman 12.5 H.P. 36-inch Wide Cut Mower Model 247.889360

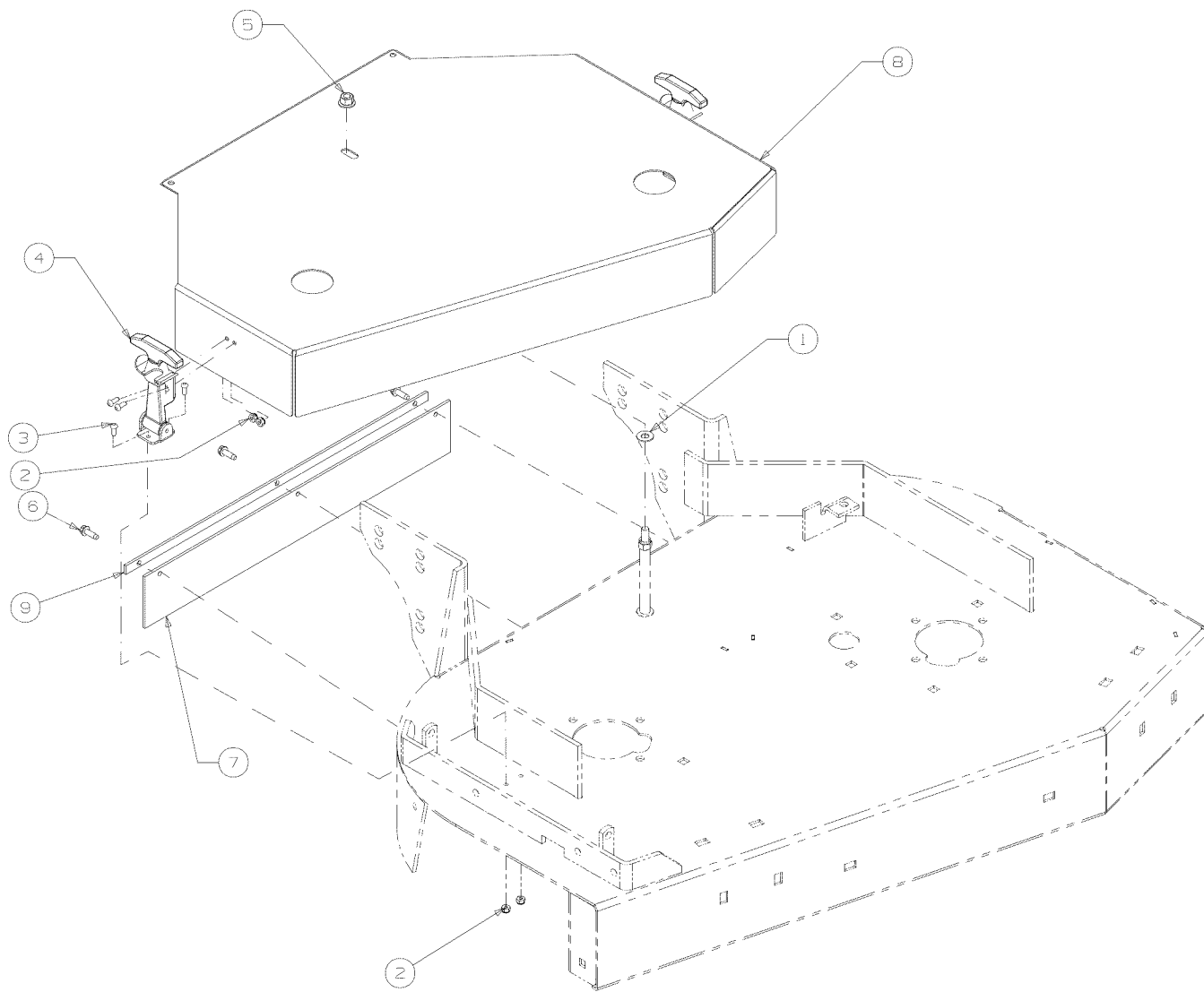
Ref. No.	Part No.	Part Description	Qty.
1.	712-04065	Hex Nut, 3/8-16, Flange Lock	2
2.	01000643	Carriage Bolt 3/8-16 x 1.00	2
3.	01003253	Torsion Spring	1
4.	01003254	Chute Deflector Rod	1
5.	01006693	Deflector Chute	1
6.	01009884	Deflector Chute Bracket	1

NOTE: For **painted parts**, please refer to the list of color codes below. Please add the applicable color code, wherever needed, to the part number to order a replacement part. For instance, if a part, numbered 0100-xxxx, is painted Sears yellow, the part number to order would be 0100-xxxx-04028.

Sears Yellow: 04028

Powder Black: 0637

Sears Craftsman 12.5 H.P. 36-inch Wide Cut Mower Model 247.889360



GD: 02005528-T03

Sears Craftsman 12.5 H.P. 36-inch Wide Cut Mower Model 247.889360

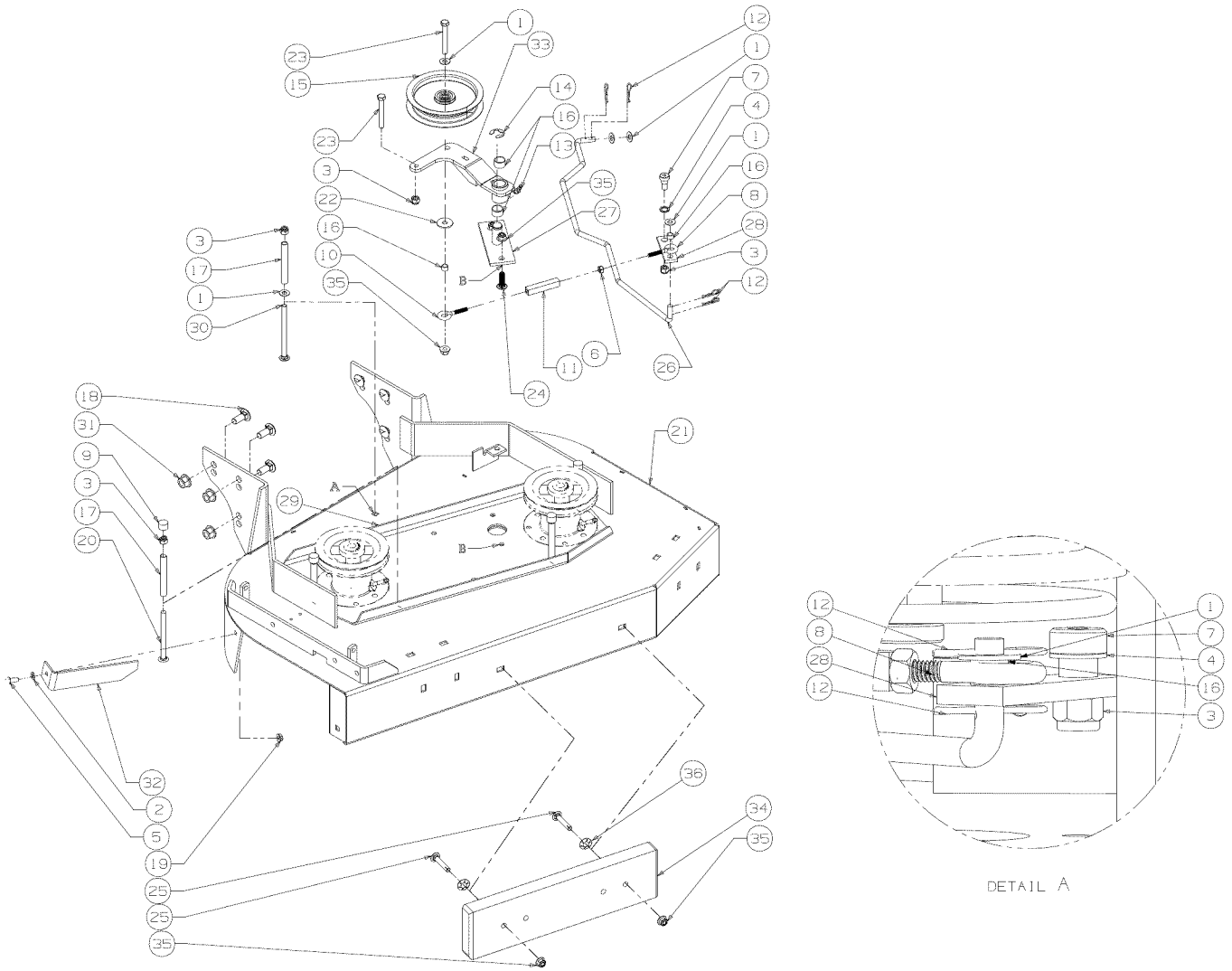
Ref. No.	Part No.	Part Description	Qty.
1.	00012158	Flat Washer, 3/8 Zinc	1
2.	00014608	Lock Nut, Nylon Insert, 10-32	8
3.	00017778	Phillips Head Screw, #10-32 x 1/2	8
4.	00021951	Rubber Hood Latch	2
5.	712-04065	Hex Nut, 3/8-16, Flange Lock	1
6.	01000629	Self Tapping Screw, 1/4-20 x 0.75	3
7.	02005520	Trail Shield	1
8.	02005533	Deck Cover, 36	1
9.	02005636	Trailshield Plate	1

NOTE: For **painted parts**, please refer to the list of color codes below. Please add the applicable color code, wherever needed, to the part number to order a replacement part. For instance, if a part, numbered 0100-xxxx, is painted Sears yellow, the part number to order would be 0100-xxxx-04028.

Sears Yellow: 04028

Powder Black: 0637

Sears Craftsman 12.5 H.P. 36-inch Wide Cut Mower Model 247.889360



GD: 02005529-T03

Sears Craftsman 12.5 H.P. 36-inch Wide Cut Mower Model 247.889360

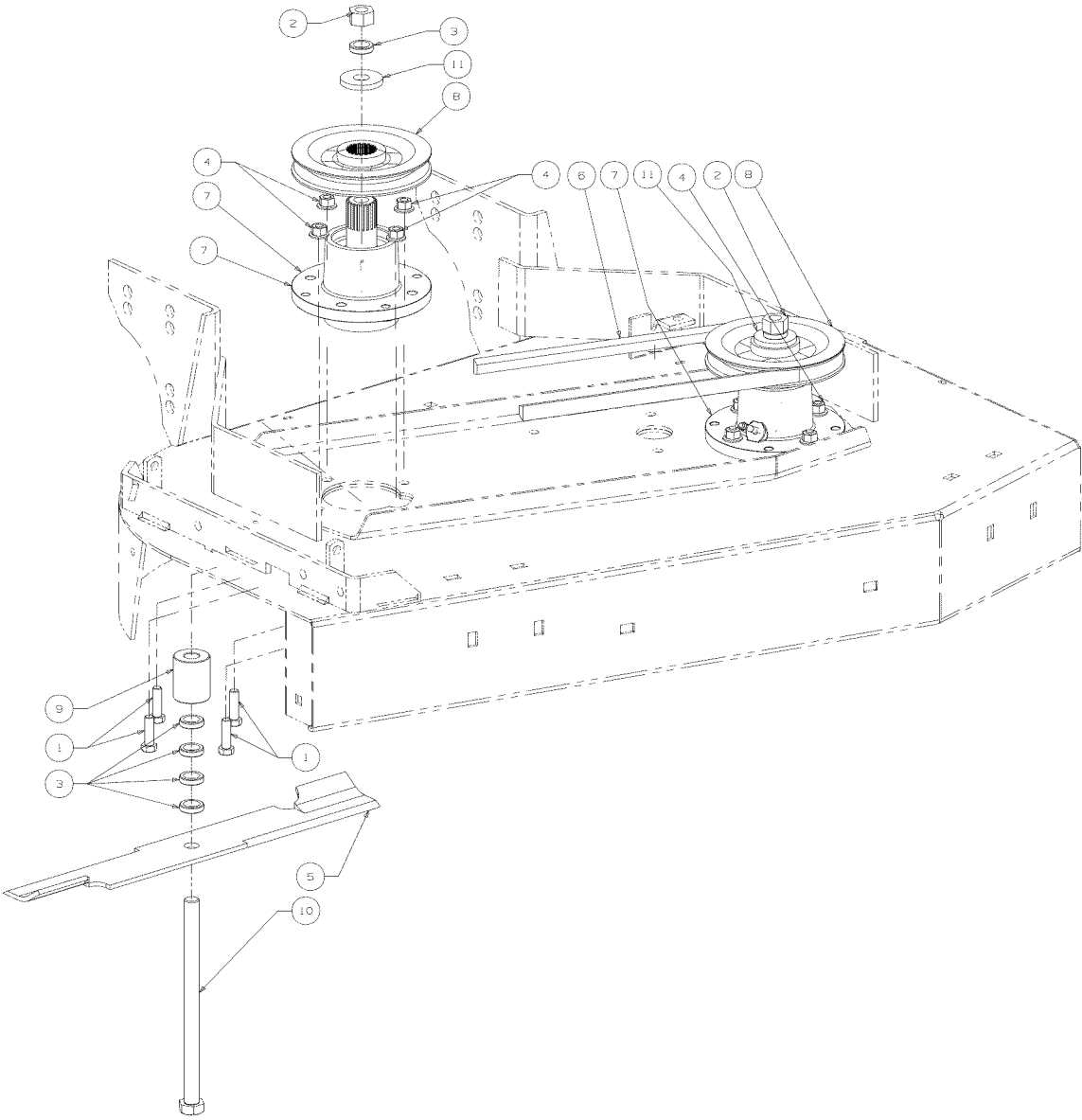
Ref. No.	Part No.	Part Description	Qty.
1.	00012158	Flat Washer, 3/8 Zinc	5
2.	00012169	Flat Washer, 5/16 Zinc	1
3.	00012173	Lock Nut, Nylon Insert, 3/8-16	7
4.	00012402	Shim Washer	1
5.	00013406	Hex Cap Screw, 5/16-18 x .75	1
6.	00013433	Hex Nut, 5/16-18	1
7.	00014439	Shoulder Bolt	1
8.	00014459	Eye Bolt, Right Hand	1
9.	00018468	Cap, Black Vinyl	4
10.	00019271	Eye Bolt, Left Hand	1
11.	00019554	Turnbuckle	1
12.	00021956	Hair Pin, 3/8"-1/2"	4
13.	00021958	Grease Fitting, 45°, 1/4-28	1
14.	00021961	E-Ring, Retainer	1
15.	00021977	Idler Deck Take-up	1
16.	00062715	Turnbuckle, Sleeve	2
17.	01000160	Spacer, Belt Guide	5
18.	01000517	Carriage Bolt, 1/2-13 x 1-1/4	6
19.	01000635	Nut, Hex Flange Lock, 5/16-18	1
20.	01000644	Carriage Bolt, 3/8-16 x 4.5	4
21.	01000826	Deck 36"	1
22.	01000872	Washer, 1.25 x .411 x .100	1
23.	01001371	Hex Cap Screw, 3/8-16 x 2.75	2
24.	01002010	Carriage Bolt, 3/8-16 x 1-1/4	2
25.	01002011	Carriage Bolt, 3/8-16 x 1-1/2	2
26.	01002103	Rod Clutch Link	1
27.	00063043	Idler Base	1
28.	01003153	Clutch Link	1
29.	01005061	Deck Stiffener	1
30.	01009906	Carriage Bolt, 3/8-16 x 5.00	1
31.	01010119	Nut, Flange Lock, 1/2-13	6
32.	02000320	Chute Baffle	1
33.	00021895	Idler Arm	1
	00021990	Bearing	2
34.	02002426	Bar Weight	1
35.	712-04065	Flange Lock Hex Nut, 3/8-16	5
36.	01008225	Push Retainer	2

NOTE: For **painted parts**, please refer to the list of color codes below. Please add the applicable color code, wherever needed, to the part number to order a replacement part. For instance, if a part, numbered 0100-xxxx, is painted Sears Yellow, the part number to order would be 0100-xxxx-04028.

Sears Yellow: 04028

Powder Black: 0637

Sears Craftsman 12.5 H.P. 36-inch Wide Cut Mower Model 247.889360



GD: 01007704-P05

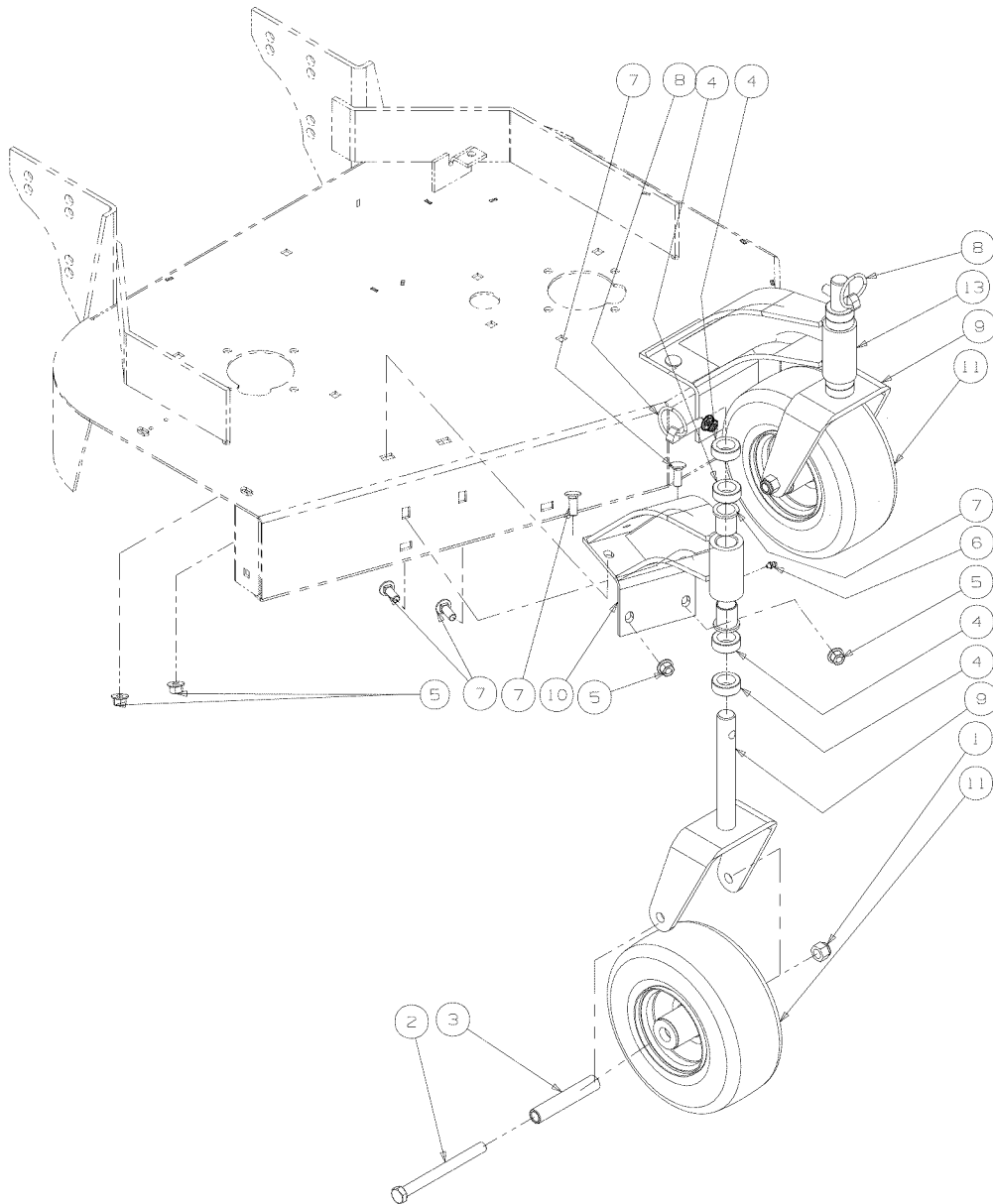
Sears Craftsman 12.5 H.P. 36-inch Wide Cut Mower Model 247.889360

Ref. No.	Part No.	Part Description	Qty.
1.	00010980	Hex Cap Screw, 3/8-16 x 1-1/2	8
2.	00011807	Hex Nut, 5/8-11	2
3.	00021924	Blade Spacer, 5/8 ID, 1/4 Thick	10
4.	712-04065	Hex Nut Flange Lock, 3/8-16	10
5.	00050125	18" Rotary Blade	2
6.	00050441	V-Belt	1
7.	01007491	Spindle Assembly	1
	01007642	Grease Fitting, 1/4-28 x 1.609	1
8.	01007499	Deck Pulley	1
9.	01007577	Blade Spacer, .630 x 1.500 x 1.850	2
10.	01007591	Hex Cap Screw, 5/8-11 x 9	1
11.	01007595	Flat Washer, .656 ID x 1.313 OD	1

NOTE: For **painting parts**, please refer to the list of color codes below. Please add the applicable color code, wherever needed, to the part number to order a replacement part. For instance, if a part, numbered 0100-xxxx, is painted Sears Yellow, the part number to order would be 0100-xxxx-04028.

Sears Yellow: 04028
 Powder Black: 0637

Sears Craftsman 12.5 H.P. 36-inch Wide Cut Mower Model 247.889360



GD: 01005984-P09

Sears Craftsman 12.5 H.P. 36-inch Wide Cut Mower Model 247.889360

Ref. No.	Part No.	Part Description	Qty.
1.	00012428	Lock Nut, Nylon Insert, 1/2-13	2
2.	00012675	Hex Cap Screw, 1/2-20, 5.50	2
3.	00014528	Spacer Wheel	2
4.	00021925	Spacer, Caster	8
5.	712-04065	Hex Nut Flange Lock, 3/8-16	8
6.	00060078	Grease Fitting, 1/4-28 x 3/16	2
7.	01000643	Carriage Bolt, 3/8-16 x 1	8
8.	01000746	Klik Pin, 1.75	2
9.	01001051	Caster Yoke Assembly, Weldment	1
10.	01006718	Caster Bracket Assembly	1
	00064164	Caster Bushing	4
11.	02000192	Wheel Assembly, 9.0 x 3.50-4	1

NOTE: For **painted parts**, please refer to the list of color codes below. Please add the applicable color code, wherever needed, to the part number to order a replacement part. For instance, if a part, numbered 0100-xxxx, is painted Sears Yellow, the part number to order would be 0100-xxxx-04028.

Sears Yellow: 04028

Powder Black: 0637

Sears Craftsman 12.5 H.P. 36-inch Wide Cut Mower Model 247.889360

Ref. No.	Part No.	Part Description	Qty.
1.	00012186	Hex Nut, 1/4-20	2
2.	00012235	Uni-Clamp	1
3.	00021407	Rubber Stop Pad	2
4.	01000215	Hose Clamp, SAE #4: 1/4-5/8, SS	1
5.	01001023	Fuel Tank Strap	2
6.	01002509	Carriage Bolt, 1/4-20 x 3.00	2
7.	01002766	Hex Flange Lock Nut, 1/4-20	2
8.	01007425	Shut Off Fuel Tank	1
9.	01009333	Spring, .625 OD x .390 ID x 1.20	2
10.	01009858	Fuel Tank	1
11.	--	Hose Fuel, 28" x .25 ID	1
12.	02002253	Grommet, Fuel Tank	1
13.	751-3124D	Fuel Cap, 3.5	1

NOTE: For **painted parts**, please refer to the list of color codes below. Please add the applicable color code, wherever needed, to the part number to order a replacement part. For instance, if a part, numbered 0100-xxxx, is painted Sears Yellow, the part number to order would be 0100-xxxx-04028.

Sears Yellow: 04028

Powder Black: 0637

Sears Craftsman 12.5 H.P. 36-inch Wide Cut Mower Model 247.889360

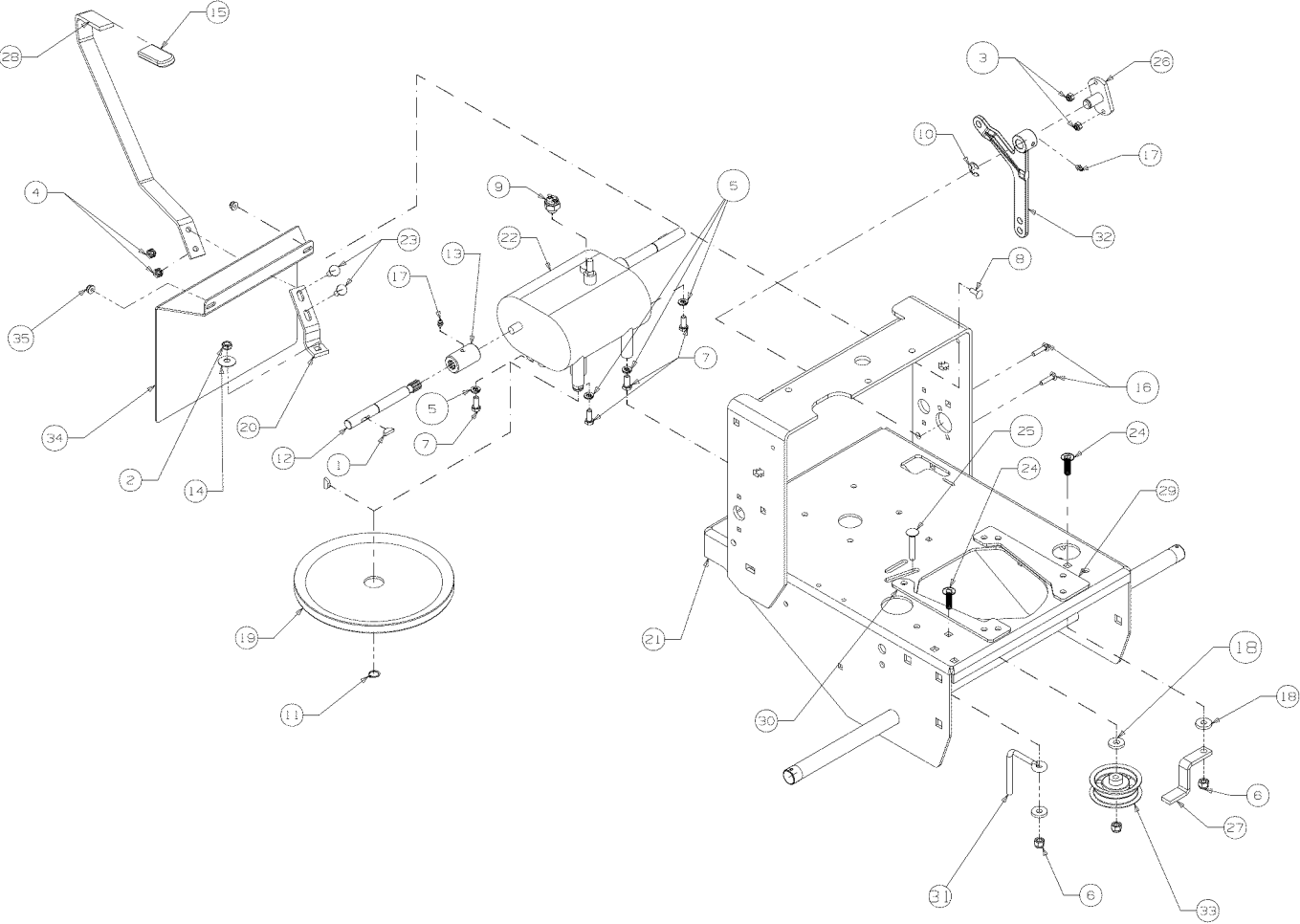
Ref. No.	Part No.	Part Description	Qty.	Ref. No.	Part No.	Part Description	Qty.
1.	00006131	Hex Nut, 3/8-16	1	21.	00076730	Spring Sleeve	1
2.	00006168	Flat Washer, 3/8 Zinc	3	22.	00087108	Nylon Bushing	8
3.	00009678	Clevis Pin, 3/8 x 1-1/8 Zinc	1	23.	01002010	Carriage Bolt, 3/8-16 x 1-1/4	4
4.	00011211	Grip, Neutral Latch, 1.25"	2	24.	01001556	Handle Assembly	1
5.	00012158	Flat Washer, 3/8 Zinc	4	25.	01001714	Control Sleeve, Black	2
6.	00012165	Nylock Nut, 5/16-18	4	26.	01001715	Operator Control Sleeve, Yellow	2
7.	00012169	Flat Washer, 5/16 Zinc	4	27.	01001716	Harness Assembly Adapter (not show)	1
8.	00012173	Lock Nut, Nylon Insert, 3/8-16	1	28.	01001717	Switch Mounting Snap	2
9.	00012204	Cotter Pin, 3/32 x 3/4, Zinc	4	29.	01001863	Operator Presence Return Spring	2
10.	00012470	Cable Tie, 3/16 x .05 x 7.4	4	30.	01001864	Hex Index Washer Screw, 0.500	2
11.	00013198	Hex Cap Screw, 5/16-18 x 2	2	31.	01001919	Shoulder Screw, .38 x .412, 1/4-28	2
12.	00014081	Lock Nut, Nylon Insert	2	32.	01001972	Hex Cap Screw, 5/16-18, 2.00	2
13.	00014270	Carriage Bolt, 3/8-16 x 2	1	33.	01003209	Blade Clutch Lever	1
14.	00021797	Spring, .850 OD x 1	1	34.	01007530	Handle Grip, Black, 1"	3
15.	00021927	Steering Control Rod	2	35.	01010156	Neutral Latch, Right Hand	1
16.	00021943	Joint Swivel	2	36.	01010157	Neutral Latch, Left Hand	1
17.	00021955	Yoke, 3/8-16 Female	1	37.	02002358	Lever Assembly Control	2
18.	00021956	Hair Pin 3/8-1/2	5	38.	02002360	Operator Presence Control RH	1
19.	00071691	Control Rod, Hydro Spacer	2	39.	02002362	Operator Presence Control LH	1
20.	00071879	Blade Clutch Rod	1	40.	712-04065	Lock Nut, Nylon Insert, 3/8-16	4

NOTE: For **painted parts**, please refer to the list of color codes below. Please add the applicable color code, wherever needed, to the part number to order a replacement part. For instance, if a part, numbered 0100-xxxx, is painted Sears Yellow, the part number to order would be 0100-xxxx-04028.

Sears Yellow: 04028

Powder Black: 0637

Sears Craftsman 12.5 H.P. 36-inch Wide Cut Mower Model 247.889360



GD: 02005527-T01

Sears Craftsman 12.5 H.P. 36-inch Wide Cut Mower Model 247.889360

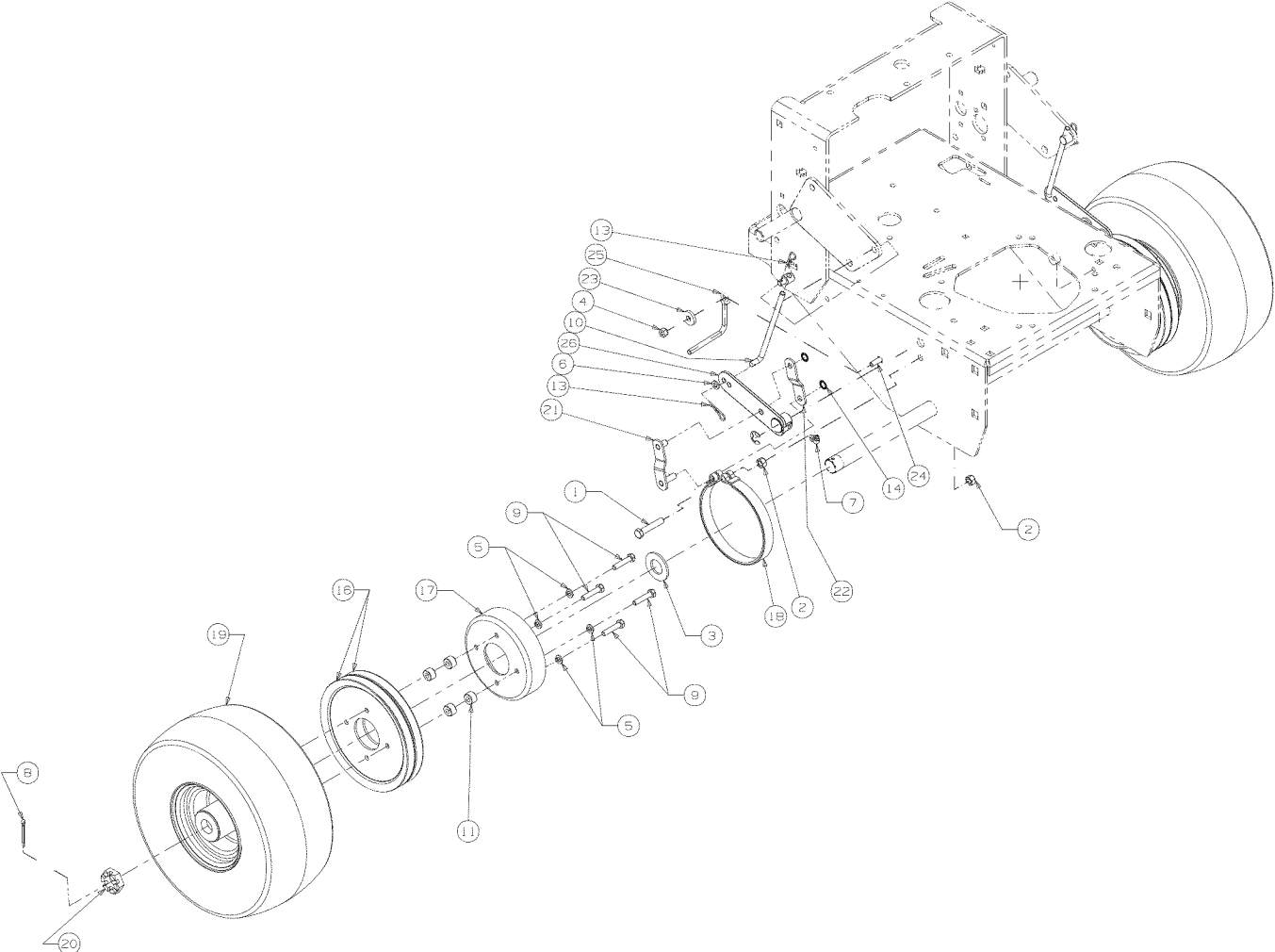
Ref. No.	Part No.	Part Description	Qty.	Ref. No.	Part No.	Part Description	Qty.
1.	00008792	Woodruff Key, 3/16 x 3/4	3	19.	01000073	Transmission Pulley	1
2.	00011454	Jam Nut, Insert Lock, 3/8-24	1	20.	01000093	Shift Arm	1
3.	00012152	Lock Nut, Nylon Insert, 1/4-20	2	21.	01000121	Engine Deck Assembly	1
4.	00012165	Nut, 5/16-18 Nylock	2	22.	01000152	Transmission, 5 Speed	1
5.	00012168	Lock Washer, 5/16 Zinc	4	23.	01000641	Carriage Bolt, 5/16-18 x 1	2
6.	00012173	Lock Nut, Nylon Insert, 3/8-16	3	24.	01002010	Carriage Bolt, 3/8 -16 x 1.25	2
7.	00013406	Hex Cap Screw, 5/16-18 x 3/4	4	25.	01002011	Carriage Bolt, 3/8-16 x2	1
8.	00017584	Carriage Bolt, 1/4-20 x .750	2	26.	00021906	Bellecrank Pivot, Weldment	1
9.	00018329	Switch, WB Transmission	1	27.	01003146	Engine Belt Guide	1
10.	00021962	E-Ring, 5/8	1	28.	01003825	Shift Handle	1
11.	00021964	External Retainer Ring	1	29.	01004392	Engine Spacer, LH	1
12.	00030352	Jackshaft w/ Heavy Spline	2	30.	01004395	Engine Spacer, RH	1
13.	00030353	Coupling w/Heavy Spline	2	31.	01005114	Drive Belt Guide	1
14.	00030355	Bell Washer, .39 ID x 1.13 OD x .062	1	32.	01009455	Clutch, Bellecrank Casting	1
15.	00030884	Grip, .250 x 1 x 3-1/2, Yellow	1	33.	02004558	Flat Idler Pulley w/Adapter	1
16.	00031602	Carriage Bolt, 1/4-20 x 1.00	2	34.	02005430	Shift Plate	1
17.	00060078	Grease Fitting, 1/4-28 x 3/16	3	35.	712-04064	Lock Nut, Nylon Insert, 1/4-20	2
18.	00083192	Idler Washer	3				

NOTE: For **painted parts**, please refer to the list of color codes below. Please add the applicable color code, wherever needed, to the part number to order a replacement part. For instance, if a part, numbered 0100-xxxx, is painted Sears Yellow, the part number to order would be 0100-xxxx-04028.

Sears Yellow: 04028

Powder Black: 0637

Sears Craftsman 12.5 H.P. 36-inch Wide Cut Mower Model 247.889360



GD: 01002905-P07

Sears Craftsman 12.5 H.P. 36-inch Wide Cut Mower Model 247.889360

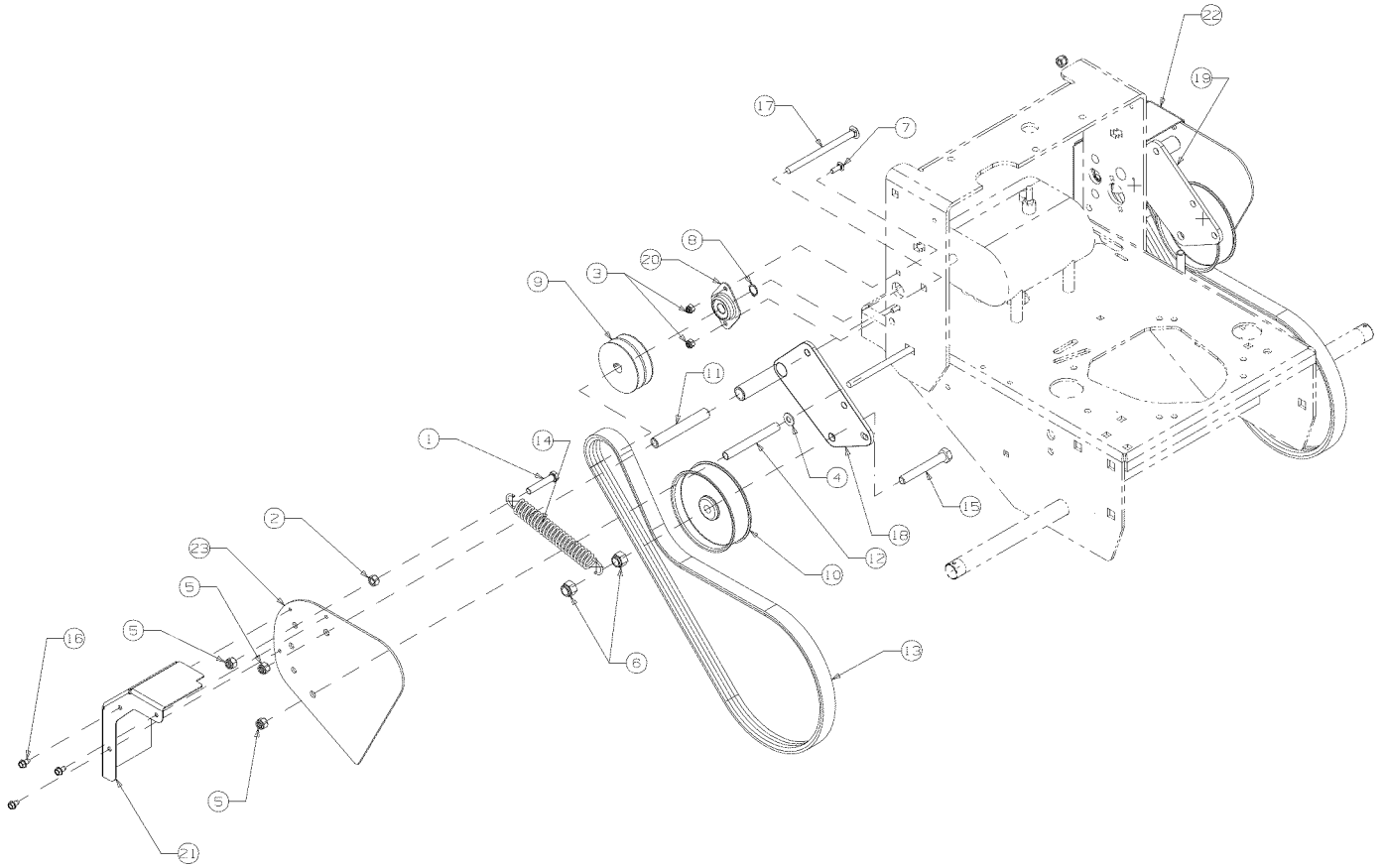
Ref. No.	Part No.	Part Description	Qty.	Ref. No.	Part No.	Part Description	Qty.
1.	00002528	Hex Cap Screw, 3/8-16, 2.00	2	15.	00021962	E-Ring, 5/8	2
2.	00006131	Hex Nut, 3/8-16	4	16.	00021979	Drive Pulley, V	4
3.	02000588	Flat Washer, 1.00 x 2.00 x .075	2	17.	00021980	Drum Brake	2
4.	00012165	Nut, Nylock, 5/16-18	2	18.	00021981	Band Brake	2
5.	00012168	Lock Washer, 5/16 Zinc	8	19.	00021983	Wheel Assembly, 13 x 6.50-6	2
6.	00012169	Flat Washer, 5/16	2	20.	00021984	Hex Jam Nut, 1-14	2
7.	00012226	Grease Fitting, 1/4-28, 90°	2	21.	00052369	Brake Link	2
8.	00012380	Cotter Pin, 5/32 x 1-1/2 Zinc	2	22.	00067444	Brake, Bracket Link	2
9.	00012382	Hex Cap Screw, 5/16-18 x 1-1/2	8	23.	00083192	Idler Washer	2
10.	00021930	Brake Rod	2	24.	01000641	Carriage Bolt, 5/16-18 x 1	2
11.	00021941	Drive Wheel Pulley Spacer	8	25.	01005114	Drive Belt Guide	2
12.	00021943	Swivel Joint	2	26.	01009216	Brake Lever Weldment	2
13.	00021956	Hair Pin, 3/8-1/2	4	Note: Lubricant grease by ounce			
14.	00021960	Retainer, Push ON, 3/8	4				

NOTE: For **painted parts**, please refer to the list of color codes below. Please add the applicable color code, wherever needed, to the part number to order a replacement part. For instance, if a part, numbered 0100-xxxx, is painted Sears Yellow, the part number to order would be 0100-xxxx-04028.

Sears Yellow: 04028

Powder Black: 0637

Sears Craftsman 12.5 H.P. 36-inch Wide Cut Mower Model 247.889360



GD: 01009879-P04

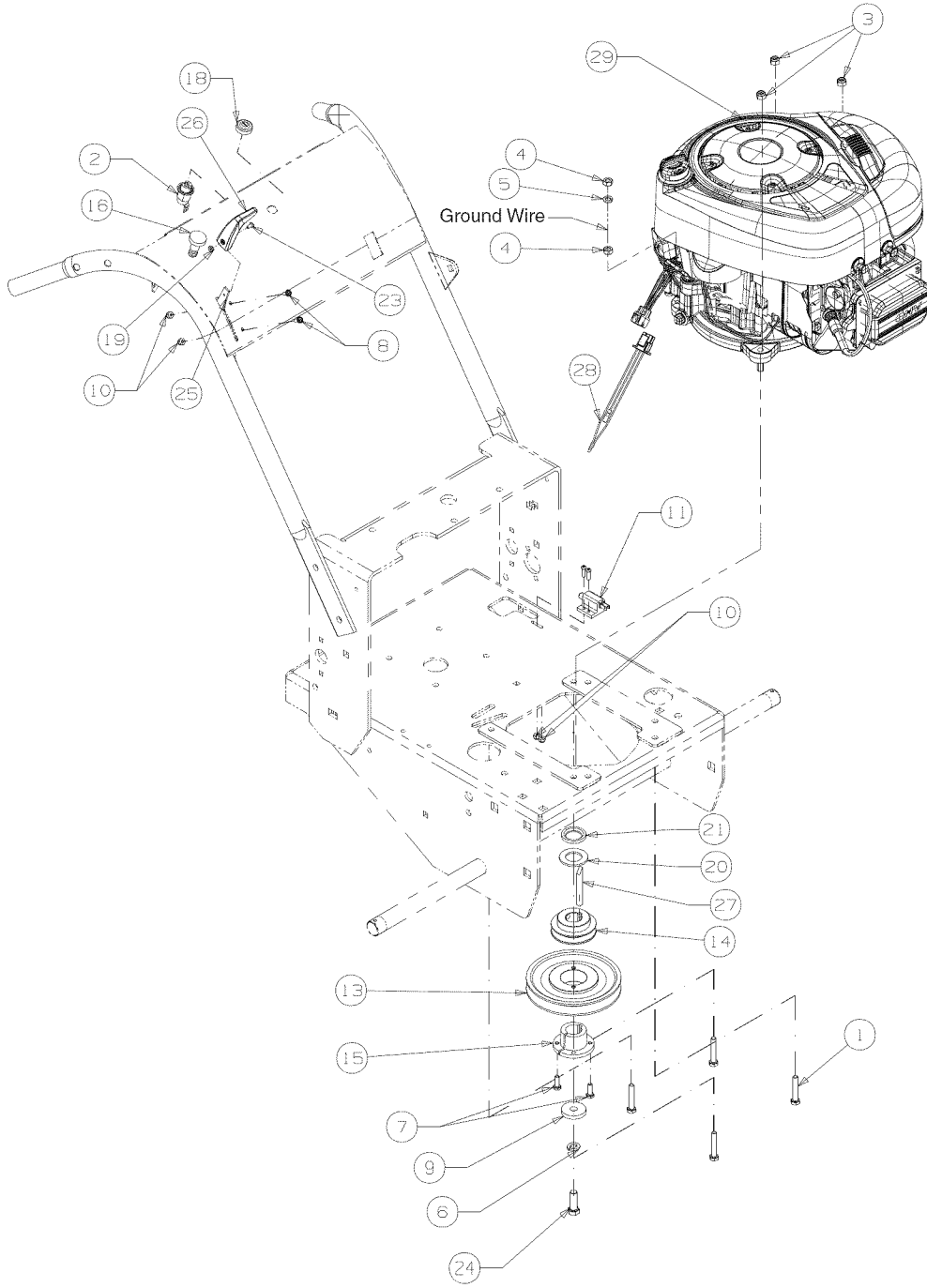
Sears Craftsman 12.5 H.P. 36-inch Wide Cut Mower Model 247.889360

Ref. No.	Part No.	Part Description	Qty.	Ref. No.	Part No.	Part Description	Qty.
1.	00002528	Hex Cap Screw, 3/8-16, 2.00	2	13.	01000151	Belt, V	2
2.	00006131	Hex Nut, 3/8-16	2	14.	01000199	Extension Spring	2
3.	00012152	Lock Nut, Nylon Insert, 1/4-20	4	15.	01000226	Hex Cap Screw, 1/2-13, 3.50	2
4.	00083192	Flat Washer	2	16.	01000628	Screw, TT, 1/4-20, 0.5, Hex Index Washer	6
5.	712-04065	Lock Nut, Nylon Insert, 3/8-16	6	17.	01000642	Carriage Bolt, 3/8-16 x 5.50	4
6.	00012428	Lock Nut, Nylon Insert, 1/2-13	4	18.	01001009	Right Idler Bracket	1
7.	00017584	Carriage Bolt, 1/4-20 x .750	4	19.	01001011	Left Idler Bracket	1
8.	00021964	External Retain Ring	2	20.	02000487	Bearing Housing	2
9.	00021969	Jackshaft Pulley	2	21.	02005514	Right Hand Outer Belt Cover	1
10.	00021976	Flat Idler Drive	2	22.	02005515	Left Hand Outer Belt Cover	1
11.	00036665	Idler Sleeve	2	23.	02005534	Belt Guard	2
12.	01000130	Spacer Tube	2				

NOTE: For **painted parts**, please refer to the list of color codes below. Please add the applicable color code, wherever needed, to the part number to order a replacement part. For instance, if a part, numbered 0100-xxxx, is painted Sears Yellow, the part number to order would be 0100-xxxx-04028.

Sears Yellow: 04028
 Powder Black: 0637

Sears Craftsman 12.5 H.P. 36-inch Wide Cut Mower Model 247.889360



Description	Part Number
Engine	02005500
Air Filter (Primary)	BS-698413
Air Filter (safety)	BS-697292
Oil Filter	BS-492932S
Fuel Filter	BS-298090S
Spark Plug	759-3336

GD: 01009863-P04

Sears Craftsman 12.5 H.P. 36-inch Wide Cut Mower Model 247.889360

Ref. No.	Part No.	Part Description	Qty.	Ref. No.	Part No.	Part Description	Qty.
1.	00006129	Hex Cap Screw, 5/16-18 x 1-3/4	4	16.	00030466	Choke Cable	1
2.	00010943	Single Ignition ON/OFF Switch	1	17.	00030906	Machine Screw, 10-32 x 5/8	2
	725-1341B	Ignition Key	1	18.	00032097	Nut w/cap, 5/8-32 Ignition	1
3.	00012165	Nut, 5/16-18, Nylock	3	19.	00060056	Nut, 8-32, w/Star Washer	1
4.	00012166	Hex Nut, 5/16-18	2	20.	00072586	Flat Washer	1
5.	00012168	Lock Washer, 5/16 Zinc	1	21.	00073094	Spacer, Engine Pulley	1
6.	00012195	Lock Washer, 7/16	1	22.	01000194	Belt (not shown)	1
7.	00013131	Hex Cap Screw, 1/4-20 x 0.75	2	23.	01000721	Screw, 8-32 x 0.375	1
8.	00013669	Screw, Hex Washer, 10-32 x 1/2	2	24.	01002884	Hex Cap Screw, 7/16-20 x 1-1/4	1
9.	00013675	Clutch Washer	1	25.	01003273	Throttle Cable	1
10.	00014608	Lock Nut, Nylon Insert, 10-32	4	26.	01004004	Throttle Control Knob	1
11.	00018324	Delta Switch	1	27.	01007533	Key Stick, 1/4 x 1/4 x 2-3/4	1
12.	00021521	Harness Wire (not shown)	1	28.	01009826	Harness Adaptor	1
13.	00021970	Deck Pulley	1	29.	02005500	12.5 Hp Briggs Engine	1
14.	00021972	Traction Pulley	1				
15.	00021973	Bushing	1				

Note: Engine Oil 10W40

NOTE: For **painted parts**, please refer to the list of color codes below. Please add the applicable color code, wherever needed, to the part number to order a replacement part. For instance, if a part, numbered 0100-xxxx, is painted Sears Yellow, the part number to order would be 0100-xxxx-04028.

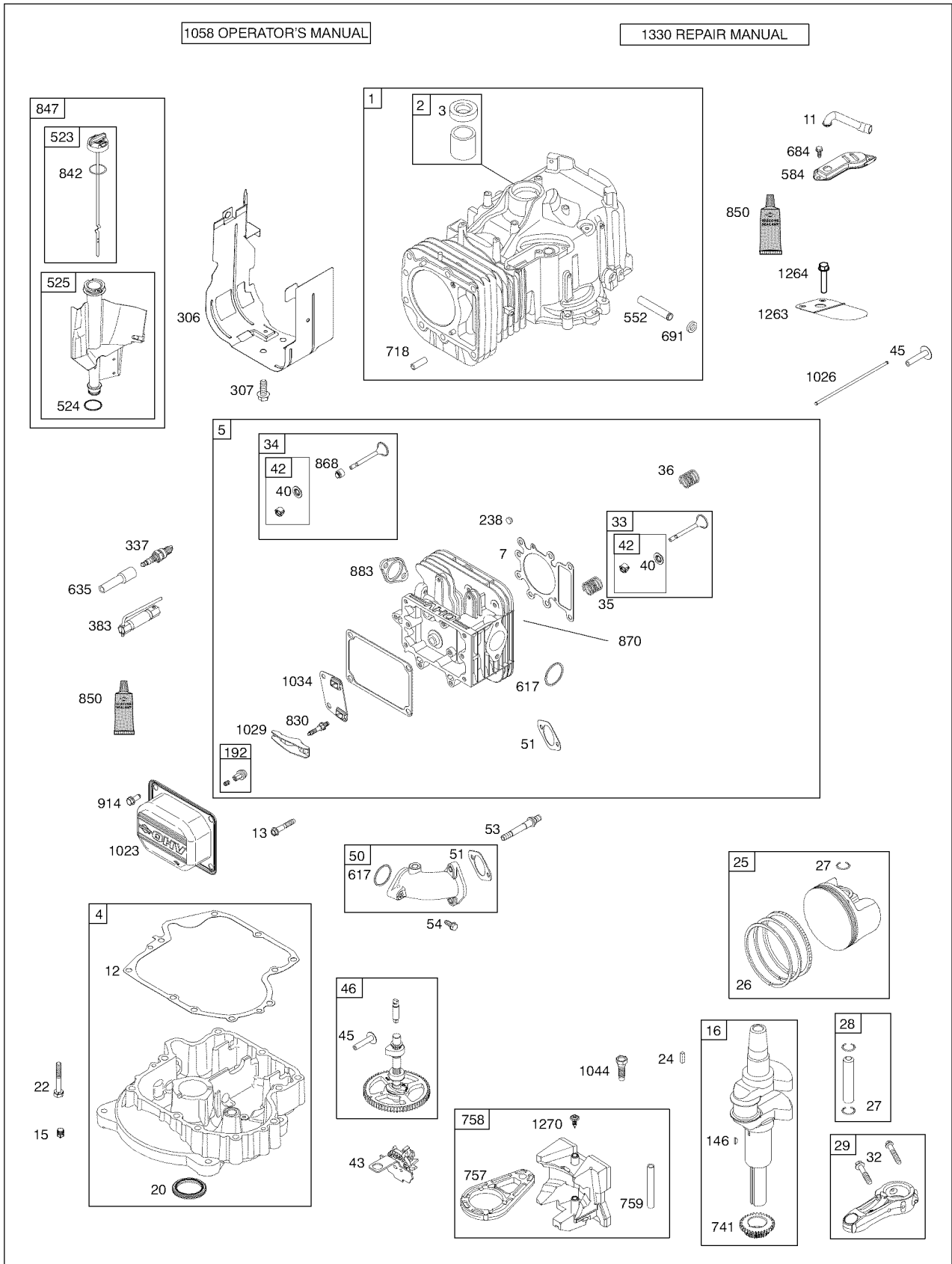
Sears Yellow: 04028

Powder Black: 0637

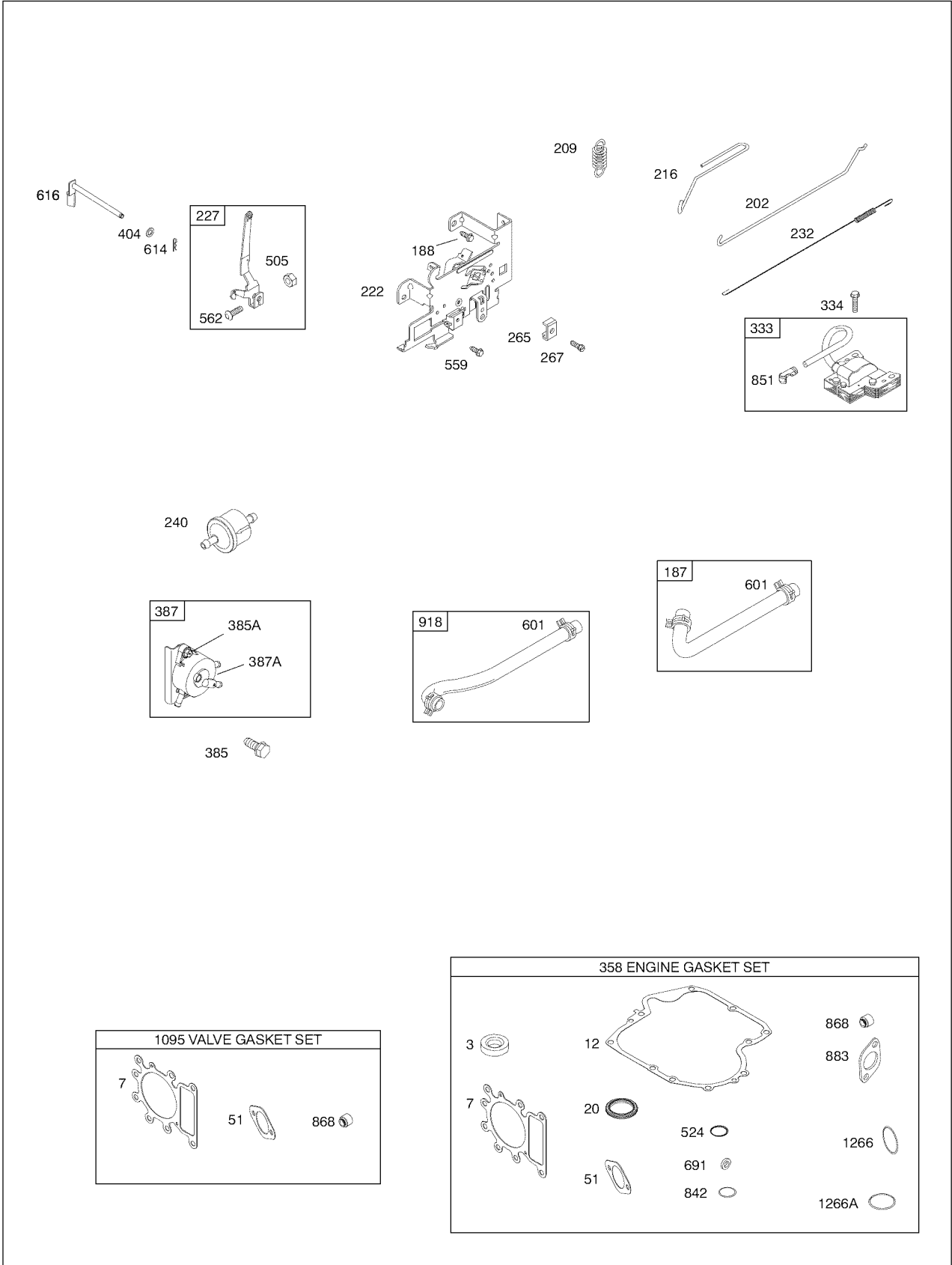
Briggs & Stratton 12.5 H.P. Engine 219802-0597-B1

1058 OPERATOR'S MANUAL

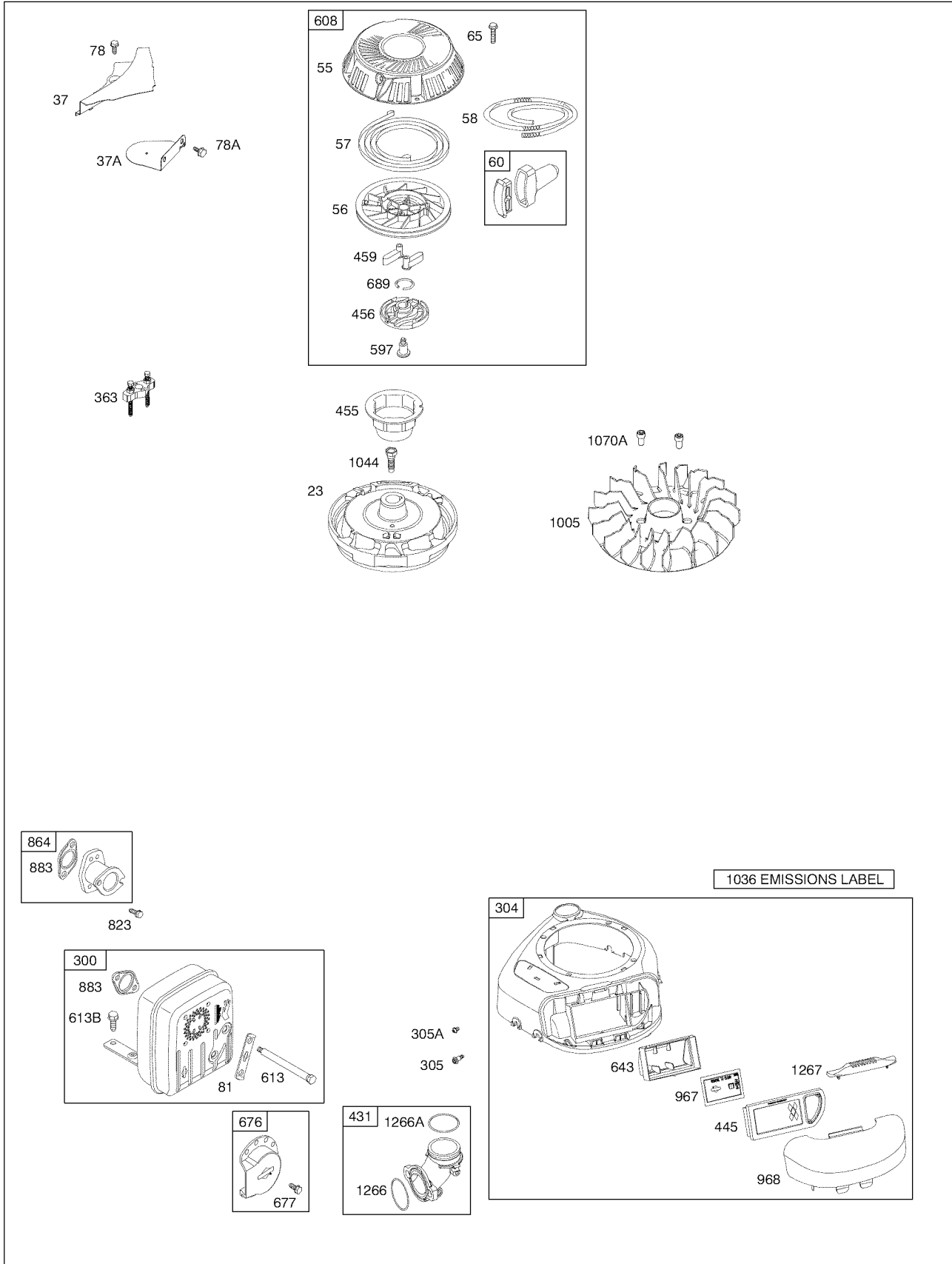
1330 REPAIR MANUAL



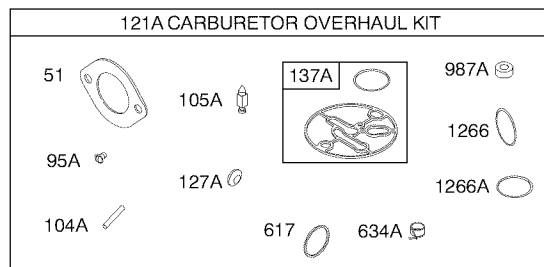
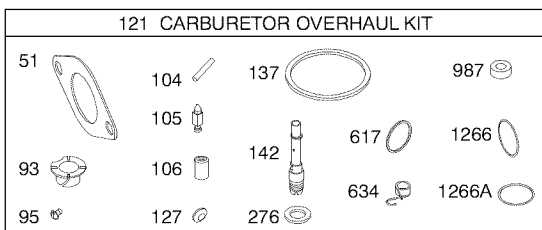
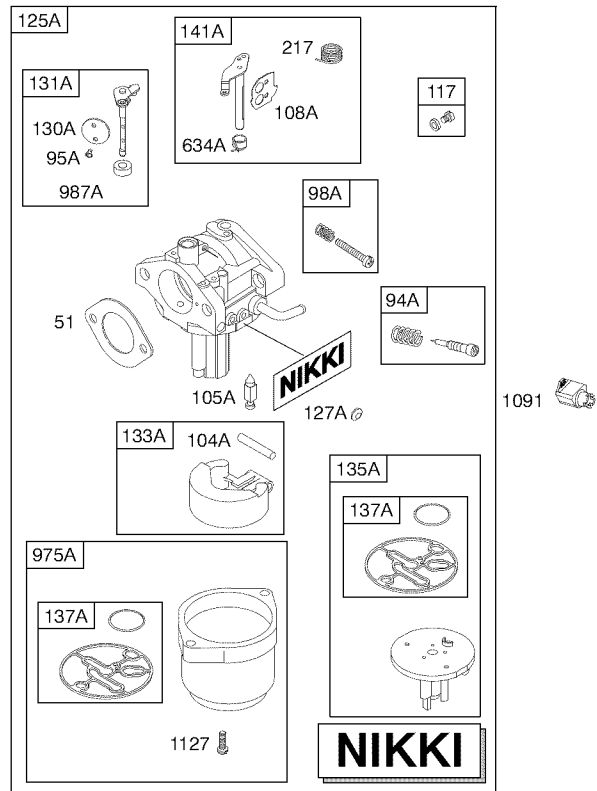
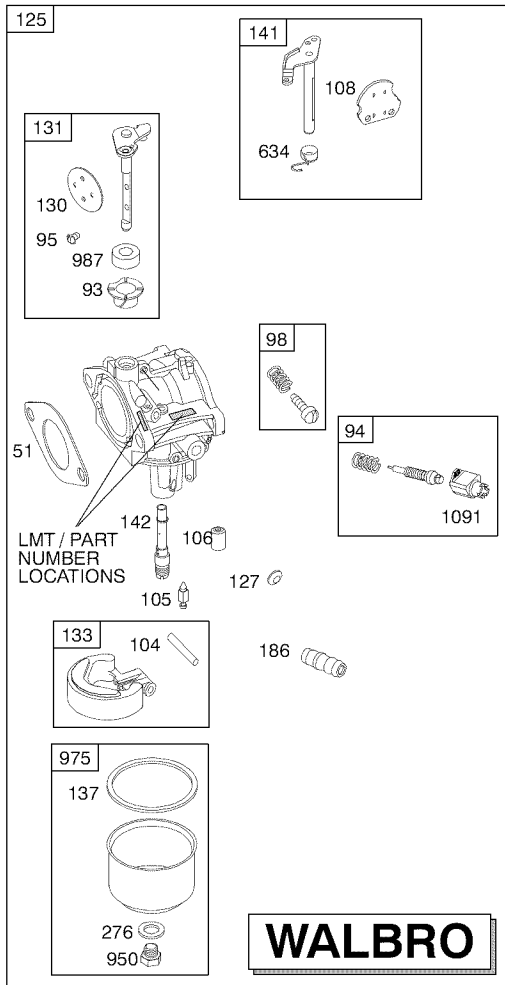
Briggs & Stratton 12.5 H.P. Engine 219802-0597-B1



Briggs & Stratton 12.5 H.P. Engine 219802-0597-B1



Briggs & Stratton 12.5 H.P. Engine 219802-0597-B1



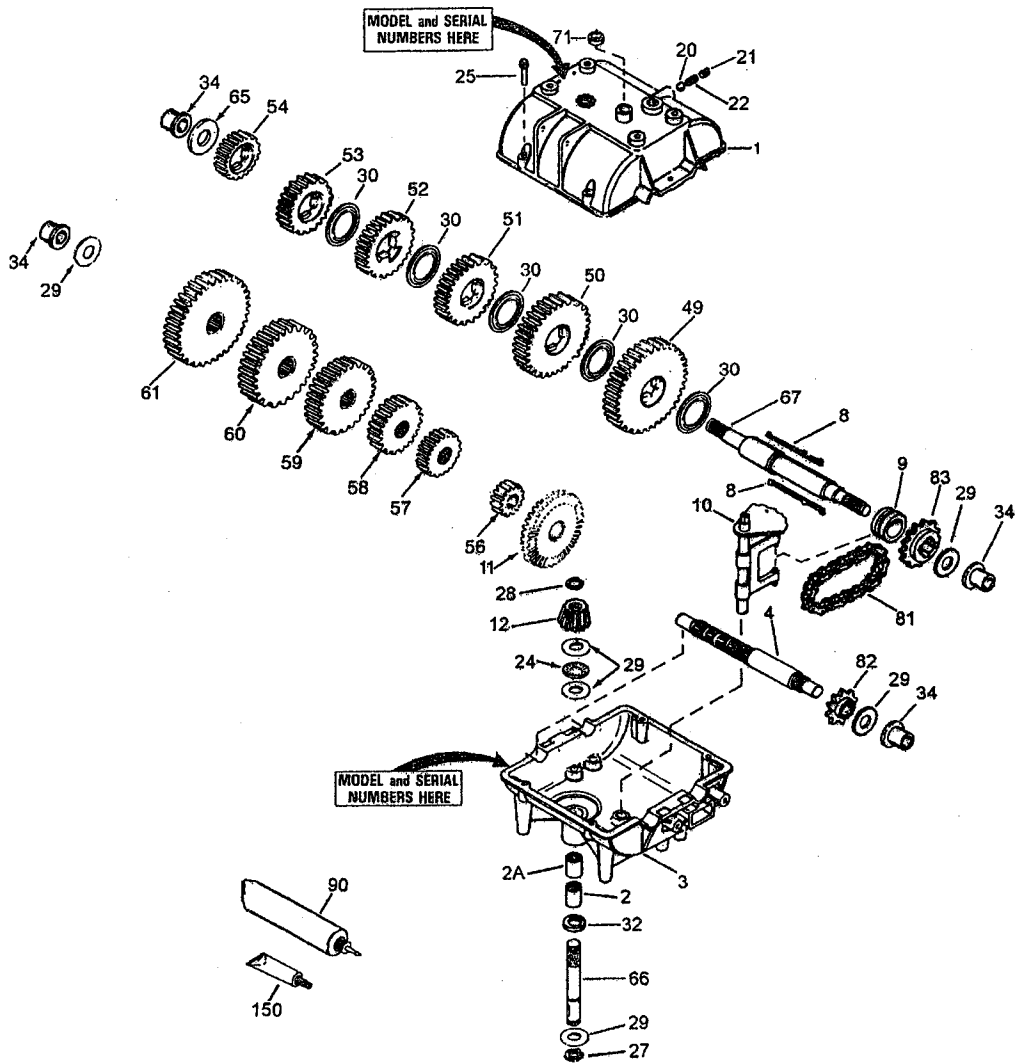
Briggs & Stratton 12.5 H.P. Engine 219802-0597-B1

Ref. No.	Part No.	Part Description	Ref. No.	Part No.	Part Description
1	BS-697677	Cylinder Assembly	104A	BS-694918	Pin-Float Hinge (Nikki)
2	BS-399265	Kit-Bushing/Seal (Magneto Side)	105	BS-231855S	Valve-Float Needle (Walbro)
3	BS-391086S	• Seal-Oil (Magneto Side)	105A	BS-696136	Valve-Float Needle (Nikki)
4	BS-697106	Sump-Engine	106	BS-691780	Seat-Inlet (Walbro)
5	BS-792964	Head-Cylinder	108	BS-691227	Valve-Choke (Walbro)
7	BS-273280S	•+ Gasket-Cylinder Head	108A	BS-698773	Valve-Choke (Nikki)
11	BS-794683	Tube-Breather	117	BS-699897	Jet-Main (Standard)
12	BS-697110	• Gasket-Crankcase	118	BS-699898	Jet-Main (High Altitude)
13	BS-690360	Screw (Cylinder Shield)	121	BS-790031	Kit-Carburetor Overhaul (Walbro)
15	BS-690946	Plug-Oil Drain	121A	BS-698787	Kit-Carburetor Overhaul (Nikki)
16	BS-697390	Crankshaft	125	BS-793227	Carburetor (Walbro)
20	BS-795387	• Seal-Oil (PTO Side)	125A	BS-791265	Carburetor (Nikki)
22	BS-692125	Screw (Crankcase Cover/Sump)	127	BS-694524	Ø Plug-Welch (Walbro)
23	BS-693555	Flywheel	127A	BS-690727	Ø Plug-Welch (Nikki)
24	BS-222698S	Key-Flywheel	130	BS-790024	Valve-Throttle (Walbro)
25	BS-792305	Piston Assembly (Standard)	130A	BS-698774	Valve-Throttle (Nikki)
	BS-792728	Piston Assembly (.020" Oversize)	131	BS-790901	Kit-Throttle Shaft (Walbro)
26	BS-792306	Ring Set (Standard)	131A	BS-698776	Kit-Throttle Shaft (Nikki)
	BS-792643	Ring Set (.020" Oversize)	133	BS-494381	Float-Carburetor (Walbro)
27	BS-698469	Lock-Piston Pin	133A	BS-694914	Float-Carburetor (Nikki)
28	BS-697099	Pin-Piston	135A	BS-792022	Tube-Fuel Transfer (Nikki)
29	BS-791633	Rod-Connecting	137	BS-281185S	Ø Gasket-Float Bowl (Walbro)
32	BS-791118	Screw (Connecting Rod)	137A	BS-698781	Ø Gasket-Float Bowl (Nikki)
33	BS-791934	Valve-Exhaust	141	BS-790902	Kit-Choke Shaft (Walbro)
34	BS-791935	Valve-Intake	141A	BS-698778	Kit-Choke Shaft (Nikki)
35	BS-691279	Spring-Valve (Intake)	142	BS-790025	Nozzle-Carburetor (Standard) (Walbro)
36	BS-691279	Spring-Valve (Exhaust)	146	BS-691639	Key-Timing
37	BS-697352	Guard-Flywheel	186	BS-698174	Connector-Hose
37A	BS-697626	Guard-Flywheel	187	BS-791805	Line-Fuel (Molded) (Cut to Required Length)
40	BS-690964	Retainer-Valve	188	BS-691693	Screw (Control Bracket)
42	BS-499586	Keep-Valve	192	BS-691986	Ball-Rocker Arm
43	BS-691968	Slinger-Governor/Oil	202	BS-691841	Link-Mechanical Governor
45	BS-690564	Tappet-Valve	209	BS-792813	Spring-Governor (Brown)
46	BS-795102	Camshaft	216	BS-691840	Link-Choke
48		Short Block	217	BS-695409	Spring-Choke Return
50	BS-697361	Manifold-Intake	222	BS-694042	Bracket-Control
51	BS-692137	Ø•+ Gasket-Intake	227	BS-691374	Lever-Governor Control
53	BS-690227	Stud (Carburetor)	232	BS-691842	Spring-Governor Link
54	BS-691148	Screw (Intake Manifold)	238	BS-691843	Cap-Valve
55	BS-695130	Housing-Rewind Starter	240	BS-691035	Filter-Fuel
56	BS-695129	Pulley-Starter	265	BS-691024	Clamp-Casing
57	BS-695131	Spring-Rewind Starter	267	BS-794904	Screw (Casing Clamp)
58	BS-695132	Rope-Starter	276	BS-692255	Ø Washer-Sealing
60	BS-494212	Grip-Starter Rope	300	BS-697349	Muffler
65	BS-690759	Screw (Rewind Starter)	304	BS-698473	Housing-Blower
78	BS-691003	Screw (Flywheel Guard)	305	BS-697102	Screw (Blower Housing) (1 13/64" Long)
78A	BS-690364	Screw (Flywheel Guard)	305A	BS-793376	Screw (Blower Housing) (13/16" Long)
81	BS-691178	Lock-Muffler Screw	306	BS-697359	Shield-Cylinder
93	BS-690602	Bushing-Throttle Shaft	307	BS-691003	Screw (Cylinder Shield)
94	BS-794176	Kit-Idle Mixture (Walbro)	333	BS-795315	Armature-Magneto
94A	BS-793610	Kit-Idle Mixture (Nikki)	334	BS-691061	Screw (Magneto Armature)
95	BS-691636	Screw (Throttle Valve) (Walbro)	337	BS-491055S	Plug-Spark
95A	BS-690718	Screw (Throttle Valve) (Nikki)	358	BS-697151	Gasket Set-Engine
98	BS-495800	Kit-Idle Speed (Walbro)	363	BS-19203	Puller-Flywheel
98A	BS-695408	Kit-Idle Speed (Nikki)	383	BS-89838S	Wrench-Spark Plug
104	BS-690525	Ø Pin-Float Hinge (Walbro)	385	BS-694476	Screw (Fuel Pump) (1 1/8" Long)

Briggs & Stratton 12.5 H.P. Engine 219802-0597-B1

Ref. No.	Part No.	Part Description	Ref. No.	Part No.	Part Description
385A	BS-690297	Screw (Fuel Pump) (2/3" Long)	847	BS-790443	Dipstick/Tube Assembly
387	BS-697090	Pump-Fuel (Includes Mounting Bracket)	850	BS-100100	Sealant-Liquid (Used in place of the Rocker Cover Gasket and the Breather Passage Gasket)
387A	BS-808656	Pump-Fuel	851	BS-692424	Terminal-Spark Plug
404	BS-691691	Washer (Governor Crank)	864	BS-794661	Adapter-Muffler
431	BS-697122	Elbow-Intake	868	BS-690968	+ Seal-Valve
445	BS-695113	Filter-Air Cleaner Cartridge	870	BS-691844	Seat-Valve (Exhaust)
455	BS-695113	Cup-Flywheel	883	BS-692236	• Gasket-Exhaust
456	BS-695128	Plate-Pawl Friction	914	BS-691108	Screw (Rocker Cover)
459	BS-281505S	Pawl-Ratchet	918	BS-791851	Hose-Vacuum
505	BS-691251	Nut (Governor Control Lever)	950	BS-691657	Screw-Float Bowl (Bottom of Float Bowl)
523	BS-699908	Dipstick	967	BS-697292	Filter-Pre Cleaner
524	BS-691032	Seal-Dipstick Tube	968	BS-697420	Cover-Air Cleaner
525	BS-697085	Tube-Dipstick	975	BS-495933	Bowl-Float (Walbro)
552	BS-697144	Bushing-Governor Crank	975A	BS-698783	Bowl-Float (Nikki)
559	BS-697561	Screw (Remote Choke Stop)	987	BS-691326	Seal-Throttle Shaft (Walbro)
562	BS-691119	Bolt (Governor Control Lever)	987A	BS-698777	Seal-Throttle Shaft (Nikki)
584	BS-794682	Cover-Breather Passage	993	BS-694088	+ Gasket-Cylinder Head Plate
597	BS-691696	Screw (Pawl Friction Plate)	1005	BS-794439	Fan-Flywheel
601	BS-791850	Hose-Clamp	1023	BS-794659	Cover-Rocker
608	BS-693394	Starter-Rewind	1026	BS-794573	Rod-Push (Exhaust)
613	BS-691416	Screw (Muffler)		BS-697694	Rod-Push (Intake)
613A	BS-690297	Screw (Muffler)	1029	BS-691751	Arm-Rocker
614	BS-691620	Pin-Cotter (Governor Crank)	1034	BS-690822	Guide-Push Rod
616	BS-692012	Crank-Governor	1036		Label-Emission (Available From A Briggs and Stratton Authorized Dealer)
634	BS-690802	Spring/Seal Assembly (Walbro)	1044	BS-698139	Screw (Flywheel)
634A	BS-698779	Spring/Seal Assembly (Nikki)	1058	BS-MS3787	Operator's Manual
635	BS-691909	Boot-Spark Plug	1070	BS-690363	Screw (Flywheel Fan)
643	BS-697155	Retainer-Air Filter	1091	BS-691333	Cap-Limiter
676	BS-393761	Deflector-Muffler (Side Out)	1095	BS-691581	Gasket Set-Valve
677	BS-690661	Screw (Muffler Deflector)	1127	BS-695407	Screw (Float Bowl)
684	BS-697157	Screw (Breather Passage Cover)	1263	BS-697124	Reed-Breather
689	BS-691855	Spring-Friction	1264	BS-697104	Screw (Breather Reed)
691	BS-692407	Seal-Governor Shaft	1266	BS-691917	Seal-O Ring (Intake Elbow) (Red)
718	BS-690959	Pin-Locating	1266A	BS-697123	Seal-O Ring (Intake Elbow)
741	BS-697128	Gear-Timing	1267	BS-697419	Latch-Blower Housing
757	BS-793242	Link-Counterweight	1270	BS-793243	Plug-AVS Counterweight
758	BS-697391	Counterweight	1330	BS-272147	Repair Manual
759	BS-697392	Pin-Counterweight			• Included in Engine Gasket Set, Key. No. 358
823	BS-698941	Screw (Muffler Adapter)			Ø Included in Carburetor Overhaul Kit, Key. No. 121
830	BS-691095	Stud-Rocker Arm			+ Included in Valve Gasket Set, Key. No. 1095
842	BS-691031	Seal-O Ring (Dipstick Tube)			

Sears Craftsman 12.5 H.P. 36-inch Wide Cut Mower Model 247.889360



Sears Craftsman 12.5 H.P. 36-inch Wide Cut Mower Model 247.889360

Ref. No.	Part No.	Part Description	Qty.	Ref. No.	Part No.	Part Description	Qty.
1	TC-772083A	Transmission Cover	1	49	TC-778125	Spur Gear (35 teeth)	1
2	TC-780086A	Needle Bearing	1	50	TC-778239A	Spur Gear (32 teeth-steel)	1
2A	TC-780142	Needle Bearing	1	51	TC-778124A	Spur Gear (30 teeth)	1
3	TC-770061A	Transmission Case	1	52	TC-778250	Spur Gear (27 teeth)	1
4	TC-776134	Countershaft	1	53	TC-778122A	Spur Gear (22 teeth)	1
8	TC-792089A	Shift Key	4	56	TC-778136	Spur Gear (15 teeth)	1
9	TC-784266	Shift Collar	1	57	TC-778240	Spur Gear (18 teeth-steel)	1
11	TC-778154	Bevel Gear (42 teeth)	1	58	TC-778126A	Spur Gear (20 teeth)	1
12	TC-778176	Input Bevel Pinion (14 teeth-steel)	1	59	TC-778249	Spur Gear (23 teeth)	1
20	TC-792077A	Steel Ball, 5/16" dia.	1	60	TC-778128A	Spur Gear (28 teeth)	1
21	TC-792078	Set Screw, 3/8-16 x 3/8"	1	65	TC-780139	Thrust Washer	1
22	TC-792079	Spring	1	66	TC-776135	Input Shaft (3-11/16" long)	1
24	TC-780071	Thrust Bearing	1	67	TC-776402	Shifter & Brake Shaft	1
25	TC-792073A	Screw, 1.4-20 x 1-1/4"	6	71	TC-788069	Square Cut Ring	1
27	TC-792035	Retaining Ring	1	81	TC-786081	Roller Chain (No. 41 chain, 24 links)	1
28	TC-788040	Retaining Ring	1	82	TC-786082	Sprocket (9 teeth)	1
29	TC-780072	Washer	6	83	TC-786083	Sprocket (18 teeth)	1
30	TC-780108	Washer	4	90	TC-788067B	Grease (32 oz. bottle Bentonite)	1
32	TC-792001	"O" Ring	2	150	TC-510334	Gasket Eliminator (Loctite #515)	1
34	TC-780105A	Flange Bushing	4				

This page intentionally left blank.

This page intentionally left blank.

**Sears, Roebuck and Co., U.S.A. (Sears), the California Air Resources Board (CARB)
and the United States Environmental Protection Agency (U.S. EPA)
Emission Control System Warranty Statement (Owner's Defect Warranty Rights and Obligations)**

EMISSION CONTROL WARRANTY COVERAGE IS APPLICABLE TO CERTIFIED ENGINES PURCHASED IN CALIFORNIA IN 1995 AND THEREAFTER, WHICH ARE USED IN CALIFORNIA, AND TO

California and United States Emission Control Defects Warranty Statement

The California Air Resources Board (CARB), U.S. EPA and Sears are pleased to explain the Emission Control System Warranty on your model year 2000 and later small off-road engine (SORE). In California, new small off-road engines must be designed, built and equipped to meet the State's stringent anti-smog standards. Elsewhere in the United States, new non-road, spark-ignition engines certified for model year 1997 and later must meet similar standards set forth by the U.S. EPA. Sears must warrant the

Sears Emission Control Defects Warranty Coverage

Small off-road engines are warranted relative to emission control parts defects for a period of two years, subject to provisions set forth

Owner's Warranty Responsibilities

As the small off-road engine owner, you are responsible for the performance of the required maintenance listed in your Operating and Maintenance Instructions. Sears recommends that you retain all your receipts covering maintenance on your small off-road engine, but Sears cannot deny warranty solely for the lack of receipts or for your failure to ensure the performance of all scheduled maintenance. As the small off-road engine owner, you should however be aware that Sears may deny you warranty coverage if your small off-road engine or a part has failed due to abuse, neglect, improper maintenance or unapproved modifications.

Sears Emission Control Defects Warranty Provisions

The following are specific provisions relative to your Emission Control Defects Warranty Coverage. It is in addition to the Sears engine warranty for non-regulated engines found in the Operating and Maintenance Instructions.

1. Warranted Parts

Coverage under this warranty extends only to the parts listed below (the emission control systems parts) to the extent these parts were present on the engine purchased.

- a. Fuel Metering System
 - Cold start enrichment system
 - Carburetor and internal parts
 - Fuel Pump
- b. Air Induction System
 - Air cleaner
 - Intake manifold
- c. Ignition System
 - Spark plug(s)
 - Magneto ignition system
- d. Catalyst System
 - Catalytic converter
 - Exhaust manifold
 - Air injection system or pulse valve
- e. Miscellaneous Items Used in Above Systems
 - Vacuum, temperature, position, time sensitive valves and switches
 - Connectors and assemblies

2. Length of Coverage

Sears warrants to the initial owner and each subsequent purchaser that the Warranted Parts shall be free from defects in materials and workmanship which caused the failure of the Warranted Parts for a period of two years from the date the engine is delivered to a retail purchaser.

CERTIFIED MODEL YEAR 1997 AND LATER ENGINES WHICH ARE PURCHASED AND USED ELSEWHERE IN THE UNITED STATES (AND AFTER JANUARY 1, 2001 IN CANADA).

emission control system on your engine for the periods of time listed below, provided there has been no abuse, neglect or improper maintenance of your small off-road engine. Your emission control system includes parts such as the carburetor, air cleaner, ignition system, muffler and catalytic converter. Also included may be connectors and other emission related assemblies. Where a warrantable condition exists, Sears will repair your small off-road engine at no cost to you including diagnosis, parts and labor.

below. If any covered part on your engine is defective, the part will be repaired or replaced by Sears.

You are responsible for presenting your small off-road engine to an Authorized Sears Service Dealer as soon as a problem exists. The undisputed warranty repairs should be completed in a reasonable amount of time, not to exceed 30 days. If you have any questions regarding your warranty rights and responsibilities, you should contact a Sears Service Representative at 1--800--469--4663. The emission warranty is a defects warranty. Defects are judged on normal engine performance. The warranty is not related to an in-use emission test.

3. No Charge

Repair or replacement of any Warranted Part will be performed at no charge to the owner, including diagnostic labor which leads to the determination that a Warranted Part is defective, if the diagnostic work is performed at an Authorized Sears Service Dealer. For emissions warranty service contact your nearest Authorized Sears Service Dealer as listed in the "Yellow Pages" under "Engines, Gasoline," "Gasoline Engines," "Lawn Mowers," or similar category.

4. Claims and Coverage Exclusions

Warranty claims shall be filed in accordance with the provisions of the Sears Engine Warranty Policy. Warranty coverage shall be excluded for failures of Warranted Parts which are not original Sears parts or because of abuse, neglect or improper maintenance as set forth in the Sears Engine Warranty Policy. Sears is not liable to cover failures of Warranted Parts caused by the use of add-on, non-original, or modified parts.

5. Maintenance

Any Warranted Part which is not scheduled for replacement as required maintenance or which is scheduled only for regular inspection to the effect of "repair or replace as necessary" shall be warranted as to defects for the warranty period. Any Warranted Part which is scheduled for replacement as required maintenance shall be warranted as to defects only for the period of time up to the first scheduled replacement for that part. Any replacement part that is equivalent in performance and durability may be used in the performance of any maintenance or repairs. The owner is responsible for the performance of all required maintenance, as defined in the Sears Operating and Maintenance Instructions.

6. Consequential Coverage

Coverage hereunder shall extend to the failure of any engine components caused by the failure of any Warranted Part still under warranty.

In the USA and Canada, a 24 hour hot line, **1-800-469--4663**, has a menu of pre-recorded messages offering you engine maintenance information.

Look For Relevant Emissions Durability Period and Air Index Information On Your Engine Emissions Label

Engines that are certified to meet the California Air Resources Board (CARB) Tier 2 Emission Standards must display information regarding the Emissions Durability Period and the Air Index. Sears, Roebuck and Co., U.S.A. makes this information available to the consumer on our emission labels.

The **Emissions Durability Period** describes the number of hours of actual running time for which the engine is certified to be emissions compliant, assuming proper maintenance in accordance with the Operating & Maintenance Instructions. The following categories are used:

Moderate: Engine is certified to be emission compliant for 125 hours of actual engine running time.

Intermediate: Engine is certified to be emission compliant for 250 hours of actual engine running time.

Extended: Engine is certified to be emission compliant for 500 hours of actual engine running time.

For example, a typical walk-behind lawn mower is used 20 to 25 hours per year. Therefore, the **Emissions Durability Period** of an engine with an **intermediate** rating would equate to 10 to 12 years.

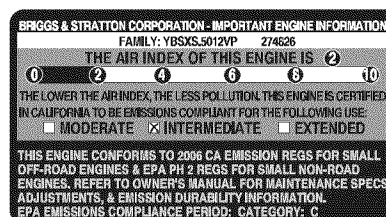
The **Air Index** is a calculated number describing the relative level of emissions for a specific engine family. The lower the **Air Index**, the cleaner the engine. This information is displayed in graphical form on the emissions label.

After July 1, 2000, Look For Emissions Compliance Period On Engine Emissions Compliance Label

After July 1, 2000 certain Sears, Roebuck and Co., U.S.A. engines will be certified to meet the United States Environmental Protection Agency (USEPA) Phase 2 emission standards. For Phase 2 certified engines, the Emissions Compliance Period referred to on the Emissions Compliance label indicates the number of operating hours for which the engine has been shown to meet Federal emission requirements. For engines less than 225 cc displacement, Category C = 125 hours, B = 250 hours and A = 500 hours. For engines of 225 cc or more, Category C = 250 hours, B = 500 hours and A = 1000 hours.

The displacement engines of Model Series 210000 is 344 cc, 280000 is 465 cc, 310000 engines is 501 cc.

This is a generic representation of the emission label typically found on a certified engine.



ÍNDICE

Declaración de garantía	60	Funcionamiento	70
Instrucciones de seguridad	61	Mantenimiento	75
Guía para la operación en pendientes	64	Servicio y ajustes	79
Acuerdo de protección para reparaciones	65	Almacenamiento fuera de temporada	82
Etiquetas de seguridad	66	Aditamentos y Accesorios	82
Especificaciones del producto	68	Solución de problemas	83
Montaje	69		

DECLARACIÓN DE GARANTÍA

Garantía de dos años de Craftsman para la Cortadora de césped de 36 pulgadas

Si se usa y mantiene este producto Craftsman de acuerdo con las instrucciones suministradas y falla debido a un defecto en los materiales dentro de los dos años a partir de la fecha de compra, sírvase devolverlo a cualquier tienda Sears, Centro de servicio de piezas y reparaciones, u otro punto de ventas Craftsman en los Estados Unidos para su reparación sin cargo. El servicio de garantía a domicilio está disponible pero se aplicará un cargo de traslado.

Esta garantía no cubre:

- Artículos de duración limitada que sufren desgaste bajo condiciones normales de uso, tales como cuchillas de cortadora rotativas, adaptadores para cuchillas, bujías de encendido, purificadores de aire, correas y filtros de aceite.
- Cambio de llantas o reparaciones ocasionados por pinchaduras con objetos del exterior como clavos, espinas, tocones o vidrios, etc.
- Reparaciones necesarias debido a abuso del operador, incluyendo, pero sin limitarse a ellos, los daños causados por objetos, tales como piedras, desechos de metal o trozos de madera demasiado grandes, objetos cuyo impacto puede doblar la estructura o el cárter, o la sobreaceleración del motor.
- Reparaciones necesarias debido a negligencia del operador, incluyendo entre otros, daños mecánico y eléctrico ocasionado por un almacenamiento no apropiado, falla por el uso de aceite de grado y/o cantidad no apropiados o falla por no dar mantenimiento al equipo de acuerdo con las instrucciones contenidas en el manual del operador.
- Limpieza o reparaciones al motor (sistema de combustible) provocadas por un combustible contaminado u oxidado (viejo). En general, el combustible debe utilizarse **en un período no mayor de 30 días** a partir de la fecha de su adquisición.

Esta garantía sólo tendrá validez durante 90 días si este producto se utiliza en cualquier momento para fines comerciales o de alquiler.

Esta garantía sólo tendrá validez mientras el producto se utilice en los Estados Unidos.

Esta garantía le otorga derechos legales específicos y usted podría gozar además de otros derechos que varían de un estado a otro.

Sears, Roebuck and Co., Hoffman Estates, IL 60179

NÚMERO DE MODELO

Número de Modelo.....

Número de Serie.....

Fecha de compra.....

Registre arriba el número de modelo, el número de serie y la fecha de compra.

SEGURIDAD



ADVERTENCIA: La presencia de este símbolo indica que se trata de instrucciones importantes de seguridad que se deben respetar para evitar poner en peligro su seguridad personal y/o material y la de otras personas. Lea y siga todas las instrucciones de este manual antes de poner en funcionamiento esta máquina. Si no respeta estas instrucciones puede provocar lesiones personales. Cuando vea este símbolo- **siga la advertencia**

ADVERTENCIA: El escape del motor de este producto, algunos de sus componentes y algunos componentes del vehículo contienen o liberan sustancias químicas que el estado de California considera que pueden producir cáncer, defectos de nacimiento u otros problemas reproductivos.

PELIGRO: Esta máquina está diseñada para ser utilizada respetando las reglas de seguridad contenidas en este manual. Al igual que con cualquier tipo de equipo motorizado, un descuido o error por parte del operador puede producir lesiones graves. Esta máquina es capaz de amputar manos y pies y de arrojar objetos con gran fuerza. De no respetar las instrucciones de seguridad siguientes se pueden producir lesiones graves o la muerte.

DESCRIPCIÓN GENERAL

1. Lea este manual del operador en su totalidad antes de poner en funcionamiento la cortadora de césped. Estudie los controles y aprenda la secuencia operativa adecuada. Conserve este Manual del operador en un lugar seguro para consultas futuras.

IMPORTANTE: Si el operador no puede leer en inglés ni español, es responsabilidad del propietario de la máquina explicarle la información contenida en este manual.

2. No deje que nadie que no haya leído este manual opere o realice el mantenimiento de esta máquina. **No permita nunca que los niños menores de 16 años utilicen esta máquina.**
3. Siempre mantenga sus pies y manos alejados de la plataforma de la cortadora cuando ponga en marcha el motor.
4. No retire las protecciones, las calcomanías o los dispositivos de seguridad. Si una protección, calcomanía o un dispositivo de seguridad está dañado o no funciona, repárelo o reemplácelo antes de operar la cortadora de césped.
5. Siempre use anteojos de protección, pantalones largos y zapatos de seguridad cuando opere o realice el mantenimiento de la cortadora de césped. No utilice ropa demasiado holgada ni lleve el cabello largo suelto ni alhajas.
6. Nunca encienda el motor en un lugar cerrado sin ventilación adecuada. Los humos de escape son venenosos.
7. Para evitar quemaduras graves, no toque el motor o silenciador mientras el motor esté en funcionamiento o hasta que se haya enfriado por lo menos durante 30 minutos luego que se haya apagado.
8. No permita que ninguna persona se desplace en la máquina. No está diseñada para transportar pasajeros.
9. No utilice la máquina bajo la influencia de alcohol o drogas.
10. No opere ni almacene la máquina o el recipiente de combustible en un espacio cerrado donde haya una llama expuesta, chispas o piloto de encendido como por ejemplo, de calentadores de agua, hornos, secadores de ropa, etc.
11. El propietario de la máquina es responsable de la capacitación de los usuarios de la misma y también de los accidentes o lesiones que sufran dichos usuarios u otras personas.

OPERACIÓN



ADVERTENCIA: Nunca corte el césped en quinta (es la velocidad de transporte).

1. **Mantenga a adultos, niños y mascotas alejados del área a ser podada. (se recomienda una distancia de 75 pies)**
2. Nunca opere esta cortadora de césped si el canal de descarga no está instalado y colocado en la posición baja (excepto si se usa el sistema de recolección de materiales).
3. Corte el césped solamente con luz de día o con luz artificial adecuada.
4. Extraiga siempre los residuos y demás objetos de la superficie donde desea cortar el césped.
5. Tenga cuidado de los pozos, rociadores, y otros factores de riesgo que no estén visibles.
6. Reduzca la velocidad cuando realice giros muy cerrados.
7. Siempre esté bien afirmado sobre pendientes y laderas y nunca opere la máquina cuando las condiciones son resbaladizas.
8. Mantenga siempre ambas manos en el manubrio cuando corta el césped. Siempre camine, nunca corra.
9. Nunca conecte el embrague de la cuchilla cuando el motor está en funcionamiento a menos que esté sobre césped que desea cortar.
10. Tenga cuidado cuando cruce senderos con grava o caminos. Siempre desconecte el embrague de la cuchilla y espere hasta que las cuchillas dejen de rotar.
11. Para dejar la cortadora de césped sin vigilancia siempre debe desconectar el embrague de la cuchilla, colocar la transmisión y las palancas de seguridad en neutro, apagar el motor, sacar la llave del interruptor de encendido y cerrar la válvula de retención de combustible.
12. Siempre debe estacionar la cortadora de césped y poner en marcha el motor en una superficie nivelada con la transmisión en neutro, el embrague de la cuchilla desenganchado y las palancas de seguridad en neutro.
13. Apague el motor y espere hasta que las cuchillas dejen de girar antes de sacar la bolsa recolectora de pasto.
14. Si mientras está cortando el césped golpea un objeto duro, desenganche el embrague de la

cuchilla, cambie la transmisión a la posición neutral, coloque las palancas de seguridad en la posición neutra y detenga el motor. Desconecte el cable de las bujías y revise la máquina para verificar si hay daños. Repare los daños y compruebe que las cuchillas estén en buenas condiciones y que los pernos de las cuchillas estén bien ajustados antes de volver a poner en marcha el motor.

15. No corte el césped en pendientes excesivamente empinadas (con más de 15 grados o una inclinación de 26,80%). Corte el césped en sentido transversal a la pendiente.



ADVERTENCIA: No corte el césped subiendo y bajando la pendiente. Podría patinarse y deslizarse bajo la cortadora, o la máquina podría perder la tracción y el control de la dirección.

16. No levante nunca la plataforma de la cortadora si las cuchillas están rotando.
17. No camine ni se detenga del lado de la descarga de la cortadora si el motor está en marcha. Desenganche el embrague de la cortadora de césped si otra persona se acerca mientras la está operando.
18. Antes de realizar las tareas de mantenimiento de la máquina desconecte siempre el cable de la bujía para evitar que el motor se ponga en marcha de forma accidental.
19. Mantenga la cortadora de césped y especialmente el motor limpios y sin grasa, pasto y hojas para reducir las posibilidades de que se prenda fuego y permitir que se enfríen de forma adecuada.
20. Las palancas de presencia del operador que están ubicadas en cada manubrio están diseñadas para su seguridad. No intente alterar su funcionamiento. Si el embrague de la cuchilla está enganchado o si la transmisión está en cambio, al soltar ambos manubrios se apaga el motor de la cortadora de césped.

MANTENIMIENTO Y ALMACENAMIENTO



ADVERTENCIA: No permita nunca que niños o personas no capacitadas operen esta máquina ni realicen su mantenimiento

1. Nunca altere los dispositivos de seguridad. Controle periódicamente que funcionen correctamente.
2. Controle frecuentemente que todos los pernos y tornillos estén bien ajustados para comprobar que la máquina se encuentra en condiciones seguras de funcionamiento. Además, realice una inspección visual de la máquina para controlar si la misma está dañada y repárela de ser necesario.
3. Antes de limpiar, reparar o revisar la cortadora, detenga el motor y compruebe que todas las partes móviles se hayan detenido. Desconecte el cable de la bujía y póngalo haciendo masa contra el motor para evitar que se encienda accidentalmente.
4. No cambie la configuración del regulador del motor ni acelere demasiado el motor. El regulador del motor controla la velocidad máxima segura de funcionamiento del motor.
5. Mantenga o reemplace las etiquetas de seguridad e instrucciones según sea necesario.
6. Siga las instrucciones de este manual para cargar, descargar, transportar y almacenar de manera segura esta máquina. (Consulte la página 16 y la página 24)
7. Nunca almacene la máquina o el recipiente de combustible en un espacio cerrado donde haya una llama expuesta, chispas o piloto de encendido como por ejemplo, de calentadores de agua, hornos, secadores de ropa, etc.

8. Consulte siempre el manual de operación para obtener instrucciones adecuadas para el almacenamiento fuera de temporada. (Consulte la página 24)
9. Si debe vaciar el tanque de combustible, hágalo al aire libre.

Respete las normas referentes a la disposición correcta y las reglamentaciones sobre gasolina, aceite, etc. para proteger el medio ambiente.

CON RESPECTO AL COMBUSTIBLE

1. El combustible es sumamente inflamable y sus vapores pueden explotar si se encienden. Por favor, respete esta advertencia.
2. No fume ni permita que otros lo hagan mientras se manipula el combustible.
3. Utilice siempre recipientes aprobados para el combustible y cárguelos lentamente para reducir las posibilidades de que se acumule electricidad estática y se produzca un derrame.
4. Almacene el combustible en instalaciones bien ventiladas y desocupadas, alejado de chispas y llamas.
5. Cuando se coloca la gasolina en recipientes adecuados, se los debe colocar en el suelo para la recarga a fin de evitar la posibilidad de que los vapores del combustible se enciendan por la electricidad estática.
6. No llene los recipientes si están dentro de un vehículo, portaequipajes, la caja de una camioneta o el piso de un remolque.
7. Siempre apague el motor y deje que se enfríe antes de sacar la tapa del tanque de combustible.
8. Siempre llene el tanque de combustible al aire libre.
9. Si el pico del recipiente de combustible no cabe dentro de la abertura del tanque de combustible, utilice un embudo.
10. Cuando llene el tanque de combustible, deténgase cuando el combustible alcance una pulgada desde la parte superior. Ese espacio es necesario para la expansión del tanque. **No lo llene en exceso.**
11. Limpie la gasolina que se haya derramado.
12. No opere ni almacene la máquina o el recipiente de combustible en un espacio cerrado donde haya una llama expuesta, chispas o piloto de encendido como por ejemplo, de calentadores de agua, hornos, secadores de ropa, etc.

FUNCIONAMIENTO EN PENDIENTES HAGA LO SIGUIENTE:

- Corte de forma transversal a las pendientes y sea precavido al doblar o cambiar de dirección..
- Esté atento a los agujeros, surcos, abultamientos u otros objetos ocultos.
- Siempre esté seguro de su equilibrio. Si se patina podría sufrir lesiones personales.
- Verifique minuciosamente la superficie antes de cortar el césped.
- Reduzca la velocidad y sea extremadamente precavido.

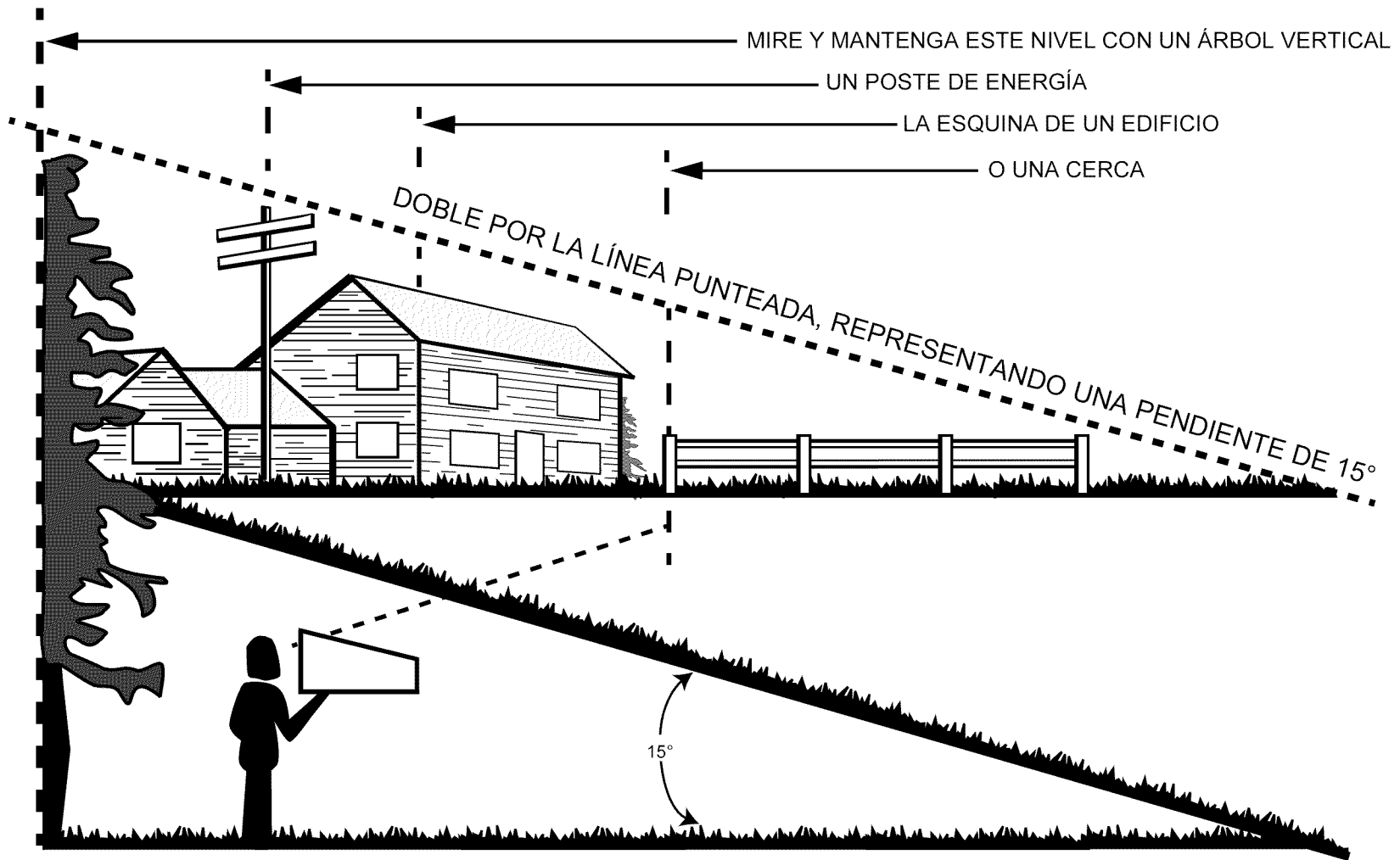
NO HAGA LO SIGUIENTE :

- **No** corte el césped subiendo y bajando la pendiente.
- **No** corte el césped cerca de declives, zanjas, terraplenes, etc. La cortadora podría volcar repentinamente si una rueda queda sobre el borde de un acantilado o zanja o si cediera el terreno de un borde.
- **No** corte el césped si está húmedo o resbaladizo. Una menor tracción podría causar derrapes.
- **No** corte el césped en pendientes que superen los 15 grados como lo indica el medidor de pendientes.

OPERADORES QUE MANEJAN LA CORTADORA POR PRIMERA VEZ

- Arranque en un área plana y abierta.
- Mantenga alejados a los presentes.
- Ajuste el regulador en velocidad baja.
- Practique las maniobras (marcha adelante, giro a la izquierda, giro a la derecha, marcha atrás), sin enganchar la plataforma de la cortadora.

USE ESTA PÁGINA COMO GUÍA PARA DETERMINAR LAS INCLINACIONES DE LAS PENDIENTES EN LAS



ADVERTENCIA

No corte en pendientes con una inclinación de más de 15 grados (elevación aproximada de 2 1/2 pies por cada 10 pies). El tractor corta césped podría voltearse y causar lesiones graves. Si se opera en pendiente con una cortadora de césped de empuje, es extremadamente difícil mantener el equilibrio; el operador podría resbalarse y sufrir lesiones graves. Opere las cortadoras de césped de RADIO DE GIRO CERO en sentido transversal al frente de las pendientes, nunca hacia arriba y hacia abajo.

ACUERDO DE PROTECCIÓN PARA REPARACIONES

Felicitaciones por haber realizado una adquisición inteligente.

El producto profesional Craftsman® que ha adquirido está diseñado y fabricado para brindar muchos años de funcionamiento confiable. Pero como todos los productos a veces puede requerir de reparaciones. Es en ese momento cuando el disponer de un Acuerdo de protección para reparaciones le puede ahorrar dinero y problemas.

El Acuerdo* incluye:

- ✓ **Servicio experto** prestado por nuestros 10,000 especialistas en reparaciones profesionales
- ✓ **Servicio ilimitado sin cargo** para las piezas y la mano de obra en todas las reparaciones cubiertas
- ✓ **Reemplazo del producto** por hasta \$1500 si no es posible reparar el producto cubierto
- ✓ **Descuento de 10%** del precio normal del servicio y de las piezas instaladas correspondientes al mismo que no estén cubiertas por el acuerdo; además, 10% de descuento en el precio normal de la verificación de mantenimiento preventivo
- ✓ **Ayuda rápida por teléfono**, nosotros la denominamos Resolución Rápida, consiste en asistencia telefónica a cargo de un representante de Sears. Puede

considerarnos “un manual parlante para el operador”.

Una vez adquirido el acuerdo, sólo se requiere de un simple llamado telefónico para programar el servicio. Puede llamar en cualquier momento del día o de la noche, o programar un servicio en línea.

El Acuerdo de protección para reparaciones no presenta ningún riesgo. Si lo cancela por cualquier motivo durante el período de garantía del producto, se le reembolsará el importe completo. O recibirá un reembolso prorrateado en cualquier momento luego del vencimiento del período de garantía. ¡Adquiera hoy su acuerdo de protección para reparaciones!

Se aplican determinadas limitaciones y exclusiones. Para obtener precios e información adicional llame en EE.UU. al 1-800-827-6655.

***La cobertura para Canadá varía para algunos artículos. Si desea la información completa llame a Sears Canada al 1-800-361-6665.**

Servicio de instalación de Sears

Si desea solicitar la instalación profesional de Sears de aparatos domésticos, dispositivos para abrir portones, calentadores de agua y otros artículos domésticos importantes, en los Estados Unidos o Canadá llame al 1-800-4-MY-HOME®

ETIQUETAS DE SEGURIDAD

ADVERTENCIA

ABRIR TRANSMISION
POR CORREA
DETENGA EL MOTOR
ANTES DE
BUSCAR ALGO DEBAJO
DE LA MÁQUINA

Número de pieza: 01001036

**PLACE FOOT HERE
WHEN STARTING**

Número de pieza: 777122931



ADVERTENCIA

- APAGUE EL MOTOR Y DEJE QUE SE ENFRÍE ANTES DE RECARGAR COMBUSTIBLE.
- NO FUMAR CERCA DEL COMBUSTIBLE.

Número de pieza: 01001036

**CLOSE FUEL VALVE
WHEN MACHINE IS
NOT IN USE.**



**IF VALVE IS LEFT OPEN,
SEVERE ENGINE DAMAGE
OR HARD STARTING MAY
RESULT FROM FLOODING.**

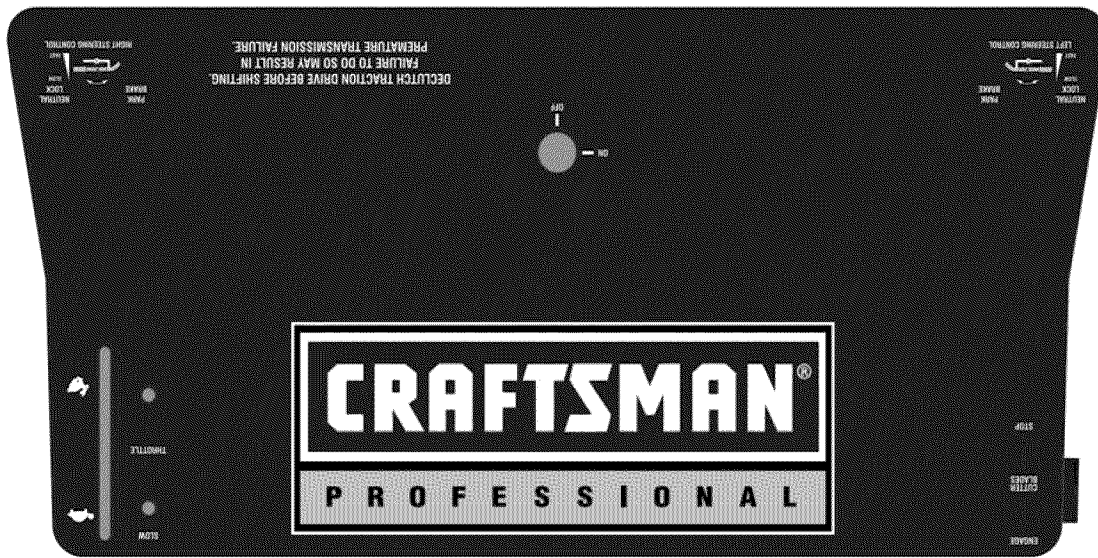
Número de pieza: 777122930

	⚠ DANGER AVOID SERIOUS INJURY OR DEATH • KEEP HANDS AND FEET AWAY FROM ROTATING PARTS. • REMOVE OBJECTS THAT CAN BE THROWN BY THE BLADE IN ANY DIRECTION. WEAR SAFETY GLASSES. • DO NOT MOW WHEN CHILDREN OR OTHERS ARE AROUND. • USE EXTRA CAUTION ON SLOPES. DO NOT MOW SLOPES GREATER THAN 15°. MOW ACROSS NEVER UP AND DOWN. NEVER PULL MOWER CLOSE TO YOUR FEET. LOOK DOWN AND BEHIND BEFORE AND WHILE MOVING BACKWARDS.	
READ OPERATOR'S MANUAL . KEEP SAFETY DEVICES (BLADE CONTROL, TRAILING SHIELD, DISCHARGE COVER, ETC.) IN PLACE AND WORKING. IF DAMAGED, REPLACE IMMEDIATELY.		

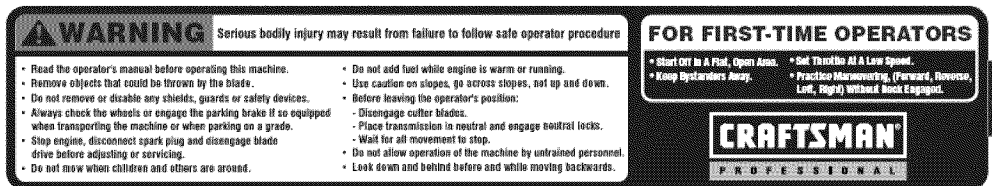
Número de pieza: 777S30116

**⚠ WARNING
SHIELD MISSING
DO NOT OPERATE**

Número de pieza: 00030635



Número de pieza: 777122919



Número de pieza: 777533036



Número de pieza: 01002166



Número de pieza: 777122929

ESPECIFICACIONES DEL PRODUCTO

INFORMACIÓN GENERAL	
Controles:	Encendido del motor; regulador; cebador, palancas derecha e izquierda de presencia del operador; dirección / frenos de derecha e izquierda; embrague de la cuchilla; palanca de transmisión
Estacionamiento:	Transmisión en primera, las palancas de seguridad neutras sueltas, las ruedas traseras calzadas adelante.
Bastidor:	acero calibre 7
Rueditas delanteras:	9 x 4.0-5 semineumáticas
Ruedas de transmisión:	13 x 6.50-6 neumáticas, 10-12 psi
Depósito de combustible:	5 galones, común sin plomo
Velocidad absoluta: (aproximada)	primera=2.0mph, segunda=2.6mph, tercera=3.1mph, cuarta=4.0mph, quinta=6.0mph, Marcha atrás=2.2mph
Peso neto:	460 libras

INFORMACIÓN SOBRE EL MOTOR	
Motor:	12.5 Briggs I/C, arrancador de retroceso, depurador de elemento doble
Tipo de aceite:	SAE 15W40, 1.2 cuarto
Bujía de encendido:	759-3336, separación de 0.030"

INFORMACIÓN SOBRE LA TRANSMISIÓN DE TRACCIÓN	
Transmisión de tracción:	5 velocidades hacia adelante con asistencia de marcha atrás

INFORMACIÓN SOBRE LA PLATAFORMA DE CORTE	
Plataforma de corte; transmisión	de acero fabricado de 36"; transmisión por correa
Altura de corte:	2" a 4" con incrementos de 1/4"
Cantidad de cuchillas	2 a 18" de longitud
Husillo:	alojamiento de aluminio con cojinetes de rodillos cónicos, que pueden lubricarse
Poleas:	hierro fundido mecanizado para la transmisión

MONTAJE

IMPORTANTE: Esta unidad se envía **con aceite en el motor**. Después del montaje, consulte la sección de OPERACIÓN de este manual para obtener información sobre el combustible y el aceite para el motor.

NOTA: *Las referencias a los lados derecho e izquierdo de la cortadora se hacen observando la máquina desde la posición de operación.*

Esta cortadora de césped con control pedestre y capacidad para superficies amplias se ha montado completamente en fábrica.

PIEZAS SUELTAS DENTRO DE LA CAJA

Los siguientes elementos se embalan en una bolsa:
Manual del operador y Manual del motor

HERRAMIENTAS NECESARIAS PARA EL MONTAJE

Un manómetro para neumáticos

RETIRO DE LA UNIDAD DE LA CAJA DE MONTAJE

1. Corte las tiras que aseguran la unidad al pálet.
2. Retire todo el embalaje protector y las tiras plásticas de unión.

RETIRO DE LA TIRA DEL CANAL

1. Ubique la tira del canal del canal de descarga que lo sostiene en posición vertical.
2. Tire el canal para atrás hacia el motor. Mientras sostiene el canal con una mano, corte la tira con la otra.

AJUSTES FINALES

Presión de los neumáticos

La presión de funcionamiento recomendada para los neumáticos traseros es de 10-12 psi. Las rueditas son semineumáticas y no requieren presión de aire. Verifique la presión de los neumáticos regularmente y mantenga siempre la misma presión en ambos neumáticos traseros.

IMPORTANTE: Consulte los laterales de las ruedas para conocer con exactitud la presión máxima en psi recomendada por el fabricante. No los infle en exceso. Una presión de neumáticos despareja podría hacer que la plataforma corte el césped en forma desigual.

FUNCIONAMIENTO

Conozca su cortadora de césped

Lea este manual del operador y las reglas de seguridad antes de poner en funcionamiento su cortadora de césped. Compare las ilustraciones que aparecen a continuación con su equipo para familiarizarse con la ubicación de los distintos controles, carteles de seguridad y ajustes. Guarde este manual para consultas futuras.

Al operar una cortadora de césped puede ser que objetos extraños sean arrojados a los ojos, lo cual puede dañarlos gravemente. **Utilice siempre anteojos de seguridad** durante la operación del equipo o mientras lo ajusta o repara. ¡Verifique las reglamentaciones locales, posiblemente requieran el uso de casco y protectores auditivos! Utilice sólo los accesorios y acoplamientos autorizados.

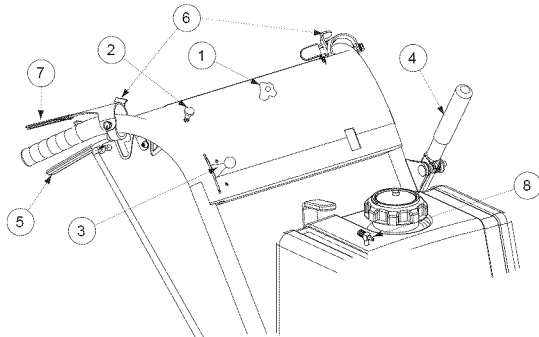


Figura 1 El panel de control

- | | |
|---|--|
| 1. Interruptor de encendido | 2. Cebador |
| 3. Regulador del motor | 4. Palanca del embrague de la cuchilla |
| 5. Palanca de freno / dirección derecha | 6. Palancas de seguridad neutras |
| 7. Palanca de presencia del operador | 8. Válvula de retención de combustible |

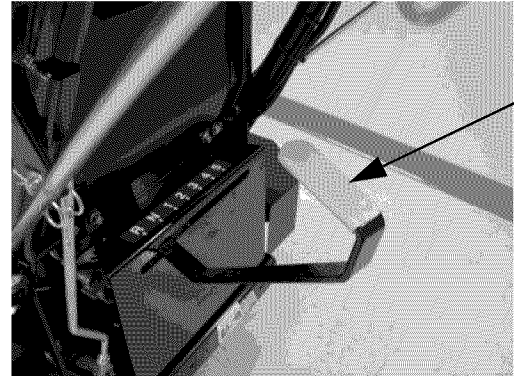


Figura 2 Vista de la parte inferior del depósito de combustible

9. Palanca de cambio de la transmisión

CONTROLES PARA EL FUNCIONAMIENTO (Consulte las Figuras 1 y 2)

Interruptor de encendido:

Está ubicado en el centro del panel de control entre los manubrios. Cuando se coloca la llave y se la gira 90 grados en el sentido de las agujas del reloj, se puede poner en marcha el motor si la palanca de cambio de la transmisión está en neutro y el embrague de la cuchilla está desenganchado.

Cebador:

Está ubicado en el panel de control y se activa tirando hacia arriba. Al activar el control del cebador se cierra la placa del cebador del carburador y esto ayuda a poner en marcha el motor.

Regulador del motor:

Está ubicado en el costado derecho del panel de control entre los manubrios. Al mover la palanca del regulador hacia arriba se incrementa la velocidad del motor de lenta a rápida.

Embrague de la cuchilla:

Está ubicado en el manubrio izquierdo, debajo del panel de control. Es un embrague de cuchilla ajustado en posición central. Cuando se empuja el manubrio hacia adelante el embrague se encaja para descansar y fuerza la polea intermedia dentro de la correa de transmisión de la cuchilla haciendo que giren las cuchillas. Tire hacia atrás el manubrio y se alivia la presión sobre la correa y las cuchillas dejan de rotar.

IMPORTANTE: Para evitar que se ahogue el motor engrane lentamente la palanca.

Palancas de freno / dirección:

Hay una palanca a la derecha que está ubicada debajo del extremo exterior del manubrio derecho y una palanca que está a la izquierda ubicada debajo del extremo exterior del manubrio izquierdo. Cada palanca funciona de forma independiente y cuando se las presiona contra la tensión del resorte, levantan la polea intermedia de manera de detener la presión sobre la correa de la transmisión del lado derecho o izquierdo según corresponda y aplican el freno derecho o izquierdo si se las presiona con firmeza. Cuando se sueltan las palancas, la cortadora se desplaza hacia delante en línea recta si el motor está en marcha y la transmisión se engrana en una marcha hacia adelante. La dirección se logra apretando la palanca de dirección/freno del lado hacia el cual se desea girar. Si se aprieta la palanca levemente se desliza la correa y la máquina gira suavemente. Si se aprieta la palanca de manera que la palanca de seguridad neutra se engrane, la máquina dará un giro cerrado y si se continúa apretando se aplicará el freno con lo cual pivotará.

Palancas de seguridad neutras:

Hay una palanca de seguridad neutra articulada en cada manubrio que funciona con cada una de las palancas de dirección/freno. Cuando se aprieta cualquiera de las palancas de dirección/freno y su palanca de seguridad neutra se empuja hacia delante y se engrana en la posición neutra de bloqueo, la palanca de dirección /

Cumple con los estándares de seguridad de ANSI B71.4

La cortadora de césped con control pedestre y capacidad para superficies amplias de Craftsman cumplen con los estándares de seguridad del instituto estadounidense de estándares nacionales (ANSI).

freno se mantiene en una posición en la que la polea intermedia no aplica presión sobre la correa de transmisión y el freno no se engrana.

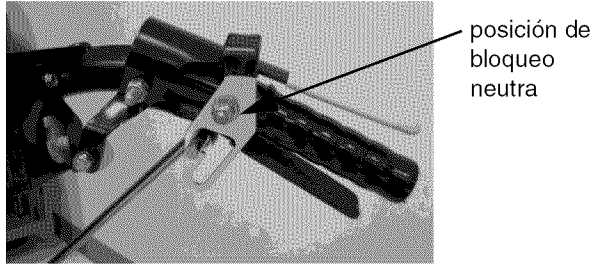


Figura 3

IMPORTANTE: Las palancas de seguridad neutras se deben engranar en la posición neutra de bloqueo antes de poner en marcha el motor. No deben estar sueltas de manera que permanezcan en la posición no bloqueada a menos que se las mueva.

Palancas de presencia del operador:

Ubicadas en los extremos exteriores de los manubrios derecho e izquierdo, por lo menos una de estas palancas de presencia del operador debe mantenerse hacia abajo sobre el manubrio y contra la presión del resorte para cambiar de marcha la palanca de cambio de la transmisión o para engranar el embrague de la cuchilla. Si se sueltan las palancas de presencia del operador con la palanca de cambio de la transmisión en una marcha o bien el embrague de la cuchilla engranado se apagará el motor.

IMPORTANTE: Se debe oprimir una o ambas palancas de presencia del operador cuando se está en marcha o cortando.

Válvula de retención de combustible:

La válvula de retención de combustible está ubicada en la parte superior del depósito de combustible. La manija se gira 90 grados. Cuando la manija está en posición horizontal, cierra el flujo de combustible hacia el motor. Cuando se la gira hasta la posición vertical, se abre y permite que el combustible fluya hacia el motor. Si se desea remolcar la cortadora de césped o si la misma no se utilizará durante 30 minutos o más, se debe cerrar la válvula de retención de combustible para evitar ahogar el motor.

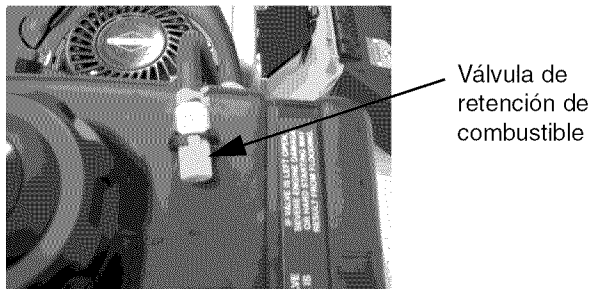


Figura 4

Palanca de cambio de la transmisión:

Está ubicada debajo del panel de control. La palanca cuenta con siete posiciones pasando de izquierda a derecha: Marcha atrás, Neutro, Primera, Segunda, Tercera, Cuarta y Quinta. La palanca debe estar en Neutro para poner en marcha el motor. Nunca intente desplazarse en Quinta. La Quinta debe usarse sólo

para el transporte.

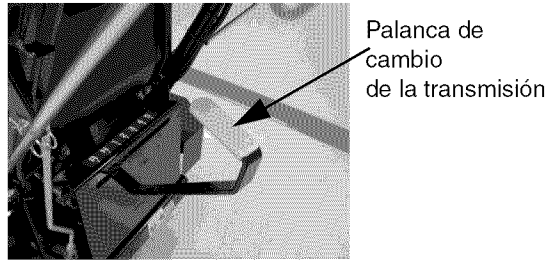


Figura 5

IMPORTANTE: NO cambie la transmisión de una marcha hacia adelante a otra mientras la unidad está en movimiento. Detenga el desplazamiento hacia adelante, cambie de marcha, luego retome el movimiento.

LLENADO DE GASOLINA Y ACEITE

Aceite

IMPORTANTE: La cortadora de césped se entrega con aceite en el motor, no obstante, usted DEBE verificar el nivel de aceite antes de operarla. El aceite debe cambiarse una vez después de las primeras cinco horas de operación y cada 40 horas de operación de ahí en más. Utilice el tipo de aceite de motor especificado en la sección Mantenimiento.

- Retire la varilla de medición de aceite del tubo de llenado de aceite.
- Controle que el nivel de aceite esté hasta arriba en la marca FULL (lleno) de la varilla del nivel del aceite. Si es necesario, vierta aceite lentamente en el tubo de llenado hasta llegar al nivel de aceite lleno.
- Vuelva a colocar la varilla de llenado de aceite y ajústela..

Gasolina

- Saque la tapa del combustible del depósito del mismo.
- Verifique que el recipiente del que va a verter la gasolina esté limpio y libre de óxido o de objetos extraños. No use nunca gasolina que pueda estar vieja por haber estado almacenada en su recipiente por largos períodos. La gasolina que ha estado estacionada por un periodo superior a cuatro semanas debe considerarse vieja.
- Llene el depósito de combustible con gasolina común sin plomo, limpia y fresca (87 ROM) no más de una pulgada por debajo de la base del cuello de llenado para dejar espacio para la expansión del combustible. Vuelva a colocar la tapa de combustible en su lugar.
- Para evitar problemas con el motor, se debe vaciar el sistema de combustible antes de almacenar la máquina durante 30 días o más. Para drenar el combustible cierre la válvula de combustible y haga funcionar el motor hasta que se detenga. La siguiente temporada use combustible fresco. Consulte la sección de almacenamiento si desea información adicional.

PELIGRO: Nunca recargue ni drene el sistema de combustible en lugares cerrados, ni opere o almacene la máquina cerca de llamas expuestas, chispas o fuentes de ignición.

- Verifique periódicamente el nivel de combustible para evitar quedarse sin gasolina mientras está operando la cortadora de césped.

AJUSTES INICIALES

1. Desconecte el cable de la bujía.
2. Verifique que todas las tuercas, pernos y tornillos estén bien ajustados.
3. Verifique la tensión de las correas de transmisión de la plataforma:
 - a. Saque la protección de la cubierta de la plataforma y enganche el embrague de la cuchilla.
 - b. Compruebe que las correas se separan de las guías de correa en 1/8" a 1/4".
 - c. Se debe ajustar la tensión de las correas de transmisión de la plataforma de manera que una tracción de diez libras entre las dos correas curve cada correa aproximadamente 1/2" (Consulte la Figura 19 de la página 19). No ajuste demasiado estas correas. El embrague de la cuchilla debe engranarse sólo con fuerza moderada.
 - d. Saque la protección de la cubierta de la plataforma y desenganche el embrague de la cuchilla.
4. Se debe ajustar la tensión de la correa de transmisión de manera que una tracción de cinco libras entre la polea de transmisión de tracción del motor y la polea de transmisión curve la correa aproximadamente 3/16". (Consulte la Figura 20 de la página 20)
5. Las dos correas de transmisión de las ruedas se ajustan automáticamente.
6. Las varillas de control de la dirección que están ubicadas a cada lado del conjunto de los manubrios se deben ajustar inicialmente de manera que quede un espacio de aproximadamente 1/4" a 3/8" entre la varilla y la base de la ranura de la palanca de seguridad neutra con dicha palanca en la posición de transmisión (Consulte la Figura 6). Para realizar este ajuste, saque el pasador de horquilla grande de la unión giratoria que está en la base de cada varilla de control de la dirección y enrosque la unión giratoria hacia arriba o abajo de la varilla según resulte necesario.



1/4" a 3/8" → ←

Figura 6

7. Las varillas de freno (que están por encima de cada rueda de tracción) se deben ajustar de manera que cuando se aprietan las palancas de dirección /freno y la cortadora se tira hacia atrás, los frenos traben las ruedas de tracción. La máquina debe rodar libremente cuando la palanca de seguridad neutra queda en la posición de bloqueo neutra. Para ajustar las varillas de freno, saque el pasador de horquilla grande de la unión giratoria que está en la parte superior de cada varilla de freno y enrosque la

unión giratoria hacia arriba o abajo de la varilla según resulte necesario.

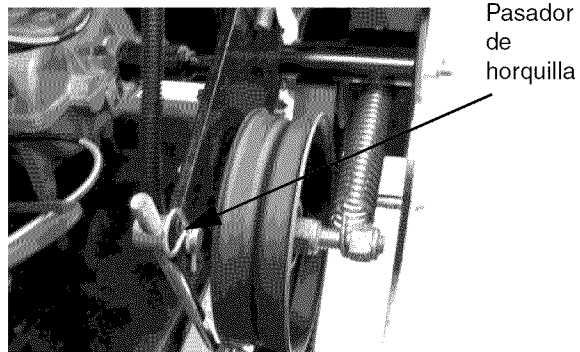


Figura 7

8. Ajuste de la altura de corte: La cortadora de césped se envía con una altura de corte ajustada en 3 pulgadas \pm 1/4 pulgada según la presión de aire de los neumáticos. Para cambiar la altura de corte, se debe mover los separadores de las cuchillas y/o los separadores de las rueditas siguiendo la tabla de ajuste de la altura de corte. (Figuras 24 y 25, página 22)
9. Lubrique todos los accesorios enumerados en la sección de mantenimiento.

PARA PONER EN MARCHA LA CORTADORA DE CÉSPED

IMPORTANTE: La primera vez los operadores deben consultar el procedimiento que figura en la página 5.



ADVERTENCIA: Nunca encienda el motor en espacios cerrados o en una zona poco ventilada. El escape del motor contiene monóxido de carbono, un gas inodoro y letal.

1. Asegúrese de entender minuciosamente todas las precauciones de seguridad antes de intentar operar esta máquina.
2. Traslade la cortadora a un "lugar de prueba" al aire libre donde pueda operarla aproximadamente media hora sin que le molesten.
3. Ponga la transmisión en neutro (N).
4. Desenganche el embrague de la cuchilla.
5. Coloque las palancas de seguridad neutras en la posición neutra de bloqueo.
6. Conecte el cable de la bujía.
7. Abra la válvula de retención de combustible.
8. Mueva la palanca del regulador a una posición de rango medio y tire el cebador totalmente hacia fuera.
9. Ponga la llave en el interruptor de encendido y enciéndalo.
10. Para arrancar el motor usando el arrancador de retroceso:
 - a. Párese del lado izquierdo (mirando desde atrás de las barras de control) de la máquina. Asegúrese de tener los pies bien lejos de la parte de abajo de la plataforma de la cortadora y que todos los controles de la cortadora están desenganchados. Establezca la cortadora colocando el pie como se indica

a continuación en la Figura 8.

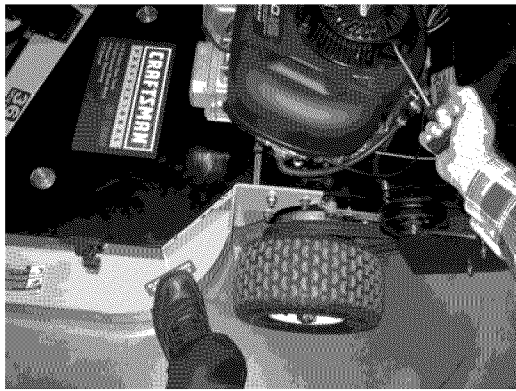


Figura 8

- b. Tome con firmeza la manija de la soga del arrancador y tire lentamente hasta que la soga quede un poco más tirante. Deje que la soga se enrolle lentamente. Luego tire de la soga con un golpe rápido y continuo de todo el brazo. Deje que la soga se enrolle lentamente. Si el motor no ha arrancado después de tres intentos, repita las instrucciones (intente poner el regulador en la posición rápido).
- c. Cuando el motor se pone en marcha, opere la máquina con el regulador en el ajuste rápido (pase el control del cebador a la posición apagado).

CONOZCA SU CORTADORA DE CÉSPED


1. Después que se caliente el motor, apague el encendido y verifique el funcionamiento de los interruptores de seguridad. Compruebe que el motor no pueda arrancar al menos que se encienda el interruptor de encendido, que la transmisión esté en neutro y que el embrague de la cuchilla esté desenganchado. Coloque las palancas de seguridad neutras en la posición neutra de bloqueo. Si el motor se pone en marcha con la transmisión en cualquier marcha (no en neutro), apague inmediatamente el motor y llame a asistencia al cliente al 1-800-659-5917 o conéctese a managemyhome.com. Si el motor se pone en marcha con el embrague de la cuchilla engranado apague inmediatamente el motor y llame a asistencia al cliente al 1-800-659-5917 o conéctese a managemyhome.com. Para verificar los controles de presencia del operador:
 - a. Encienda el motor y mantenga apretada la palanca izquierda de control de presencia del operador hacia abajo contra el manubrio izquierdo y mueva la palanca de cambio de la transmisión a la primera marcha. Ahora saque la mano de la palanca de control de presencia del operador y el motor debe apagarse. Si no lo hace, apague de inmediato el motor y comuníquese con atención al cliente al 1-800-659-5917 o conéctese a managemyhome.com.
 - b. Repita este procedimiento usando la palanca derecha de control de presencia del operador.
 - c. Ponga la transmisión en neutro, reencienda el motor, mantenga apretada una de las palancas de control de presencia del operador hacia abajo contra el manubrio y engrane el embrague de la cuchilla. Ahora saque la mano


de la palanca de presencia del operador y el motor debe apagarse. Si no lo hace, apague de inmediato el motor, desenganche el embrague de la cuchilla y comuníquese con atención al cliente al 1-800-659-5917 o conéctese a managemyhome.com.

2. Con las palancas de seguridad neutras engranadas reinicie el motor.
3. Empuje la palanca del embrague de la cuchilla hacia adelante hasta que se engrane y las cuchillas comiencen a girar.
4. Pase la transmisión a la primera marcha. (Se sugiere que practique cómo cortar el césped en la primera marcha).
5. Apriete ambas palancas de dirección /freno con ambas manos y suelte las palancas de seguridad neutras de la posición neutra de bloqueo.
6. Suelte lentamente las palancas de dirección /freno y la cortadora se desplazará hacia adelante en línea recta. Para girar la cortadora, apriete la palanca de dirección /freno del lado hacia el cual desea girar.
7. Para detener el avance de la máquina, apriete ambas palancas de dirección /freno hasta que la cortadora se detenga y coloque las palancas de seguridad neutras en la posición neutra de bloqueo.


IMPORTANTE: Si se aprietan las palancas de control para pasarlas desde la posición suelta hasta la posición de bloqueo Neutro se afloja la tensión de la correa de transmisión. Si se aprietan aún más estas palancas se aplican los frenos de servicio. Si se aplica el freno izquierdo pivotará de forma contraria al sentido del reloj, es decir dará una vuelta en U y si se aplica el freno derecho pivotará en sentido contrario, es decir dará una vuelta en U en el sentido de las agujas del reloj. Si se aplican ambos frenos se detendrá la máquina sin girar.

8. Antes de pasar a la marcha atrás, se debe detener completamente el avance de la cortadora. Para lograr la tracción máxima en marcha atrás, se debe empujar hacia abajo las palancas de dirección /freno.

 **PELIGRO:** Mire detrás de la cortadora antes del funcionamiento marcha atrás y durante el mismo. Detenga las cuchillas de la cortadora antes de operar marcha atrás.

 **ADVERTENCIA:** Para evitar posibles lesiones corporales y daños a la transmisión, se debe detener completamente la cortadora antes de intentar pasar de marcha adelante a marcha atrás y viceversa.

9. Practique la operación de la cortadora y a medida que se sienta más seguro, cambie la transmisión de primera a segunda y corte un rato y luego cambie de segunda a tercera. Corte por lo menos durante una media hora y luego regrese la cortadora al taller.

 **ADVERTENCIA:** ¡No se debe cambiar la marcha de la máquina mientras está andando ya que se puede dañar la transmisión lo cual haría que la máquina se detenga de forma súbita! Detenga la máquina, luego cambie de marcha.

10. Para detener y apagar la cortadora, apriete ambas palancas de dirección /freno y coloque las palancas de seguridad neutras en la posición de bloqueo neutra, desenganche el embrague de la cuchilla, cambie la transmisión a neutro, apague el interruptor de encendido para detener el motor, cierre

la válvula de retención de combustible y desconecte el cable de las bujías.

11. Verifique que todas las tuercas, pernos y tornillos estén bien ajustados.
12. Verifique, y ajuste si es necesario, la tensión de las correas de transmisión de la plataforma y la correa de transmisión como se describe en los puntos 3 y 4 de la sección Ajustes iniciales.
13. Reajuste las varillas de control de la dirección y las varillas de freno. Pueden requerir ajustes frecuentes hasta que las correas y las cintas de freno se hayan asentado adecuadamente. Estos ajustes se describen en los puntos 6 y 7 de la sección Ajustes iniciales.
14. Después de usar la máquina todo un día por primera vez, se debe volver a verificar que todas las tuercas, los pernos y tornillos estén bien ajustados y que todas las correas tengan la tensión adecuada.

USO DE LA CORTADORA DE CÉSPED

IMPORTANTE: La primera vez los operadores deben consultar el procedimiento que figura en la página 5.

1. Asegúrese de que el área esté libre de piedras, palos, juguetes, cables, u otros objetos que podrían ser levantados y arrojados por la cortadora. Inspecciona toda la superficie que desea cortar. Compruebe que los accesorios y acoplamientos sean adecuados para el terreno.
2. Con las palancas de seguridad neutras trabadas y las palancas de presencia del operador oprimidas, seleccione una velocidad de corte. (se sugiere una velocidad más lenta para el primer uso).
3. Engrane la cortadora empujando hacia adelante la palanca del embrague de la cuchilla hasta que se trabee.
4. Apriete las palancas de control de la dirección y suelte las palancas neutras.
5. Suelte lentamente las palancas de control de la dirección y la cortadora seguirá hacia adelante.
6. Para operar la cortadora marcha atrás, mire hacia atrás y abajo antes de retroceder para comprobar que el paso esté libre.
7. Tenga siempre en cuenta la descarga de la cortadora y no la apunte hacia las personas ni a las aceras o calles.
8. Tenga cuidado al aproximarse a esquinas ciegas, arbustos, árboles u otros objetos que podrían obstaculizar la visión.
9. Para cortar el césped y lograr un patrón en franjas:
 - a. Elija un punto en el lado opuesto del área que desea cortar (un poste, árbol, arbusto, etc.).
 - b. Si está en una ladera, inicie desde la base de manera que los giros sean cuesta arriba y no cuesta abajo.
 - c. Alinee la cortadora de manera de apuntar directamente hacia el objeto que está en extremo opuesto.
 - d. Incremente lentamente la velocidad de la máquina para que se adapte a las condiciones de corte y al terreno y para que el operador se familiarice con los controles. Mantenga la máquina orientada directamente hacia el objeto utilizado para la alineación. No se desplace rápidamente si se reduce la calidad del corte o si se siente incómodo para controlar la velocidad y

dirección de la máquina.

- e. Cuando se acerque al otro extremo de la franja, reduzca la velocidad o deténgase antes de girar. Se recomienda hacer un giro en U.
 - f. Para evitar la formación de surcos o ranuras en el césped, varíe la dirección de las franjas de corte aproximadamente 45° en el corte siguiente y en cada corte subsiguiente.
 - g. Si se corta el césped en repetidas ocasiones en la misma dirección, se "acostumbrará" de manera que las franjas serán más pronunciadas y durarán más. Los neumáticos producirán marcas en el césped.
10. Para los sistemas de recolección de materiales o para todas las operaciones relacionadas con la plataforma de la cortadora, antes de abandonar la estación del operador:
 - apague la plataforma de la cortadora.
 - coloque la transmisión en neutro.
 - asegure las palancas de bloqueo neutras.
 - apague el motor.
 - coloque calzos en las ruedas.

TRANSPORTE DE LA CORTADORA DE CÉSPED

1. Si se utilizan rampas, asegúrese de que estén bien sujetas al remolque, a la caja de la camioneta, etc. y que estén diseñadas para esa aplicación.
2. La cortadora se debe empujar o jalar hacia el remolque, caja de la camioneta, etc. o para bajarla de los mismos, nunca se la debe conducir para que suba.
3. Apague la válvula de combustible.
4. Asegure la cortadora con calzos, tiras, etc.
5. Compruebe si los accesorios y acoplamientos están bien ajustados o no están colocados.

RECOMENDACIONES GENERALES



ADVERTENCIA: No permita nunca que niños o personas no capacitadas operen esta máquina ni realicen su mantenimiento.

- Respete siempre las reglas de seguridad cuando realice cualquier tarea de mantenimiento en la cortadora.
- La garantía de esta podadora no cubre elementos que han estado sujetos al mal uso o la negligencia del operador. Para recibir el reembolso total de la garantía, el operador deberá realizar el mantenimiento del equipo tal y como se indica en este manual.
- El cambio de la velocidad controlada del motor invalidará la garantía del motor.
- Revise periódicamente todos los sujetadores y compruebe que estén bien ajustados.



ADVERTENCIA: Siempre detenga el motor y desconecte y ponga a tierra el cable de la bujía antes de realizar cualquier tipo de mantenimiento o ajustes.

Aceite del motor: Use aceite Shell Rimula 15W40 o cualquier aceite 10W30 ó 15W40 clasificado para servicio SJ o superior.

Lubricante del husillo: Use solamente grasa Shell Alvania RL 2. Este tipo de grasa es de color ámbar y está diseñada para las aplicaciones de cojinetes para alta velocidad. Tiene una viscosidad que reduce las pérdidas, ha sido formulada para ruido bajo, posee una excelente protección contra la corrosión y una excelente lubricación de los cojinetes.

Lubricación de uso general: Use grasa NLGI de grado 2 de uso general. Se recomienda la grasa Shell Albida EP2. Es de color rojo y de uso general y está diseñada para las aplicaciones donde los cojinetes sufren mucho desgaste. Tiene viscosidad elevada para la estabilidad mecánica, ha sido diseñada para aplicaciones de cargas pesadas y velocidades bajas y brinda una excelente lubricación y protección contra la corrosión.

LUBRICACIÓN (Consulte las Figuras 9, 10 y 11)

Diariamente

- **Cojinetes del husillo de las cuchillas de corte-** Existen dos posiciones de engrasado. Consulte la Figura 9 punto A.
- **Cojinete de las rueditas-** Existen dos posiciones de engrasado. Consulte la Figura 9 punto B.
- **Ejes de pivote de las rueditas-** Existen dos posiciones de engrasado. Consulte la Figura 9 punto C.
- **Brazos giratorios de la polea intermedia de la plataforma-** Existe una posición de engrasado. Consulte la Figura 9 punto D.

Cada 40 horas

- **Cojinetes de las ruedas de tracción-** Existen dos posiciones de engrasado. Consulte la Figura 10 punto E.
- **Pivotes de las palancas de freno-** Existen dos posiciones de engrasado. Consulte la Figura 10 punto F.
- **Pivote de palanca acodada del embrague de la cuchilla-** Existe una posición de engrasado. Consulte la Figura 11 punto G.

- **Acopladores del eje intermedio de la transmisión-** Existen dos posiciones de engrasado. Consulte la Figura 11 punto H.

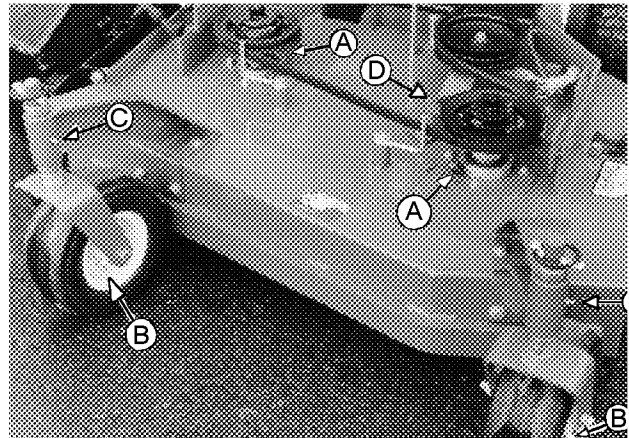


Figura 9

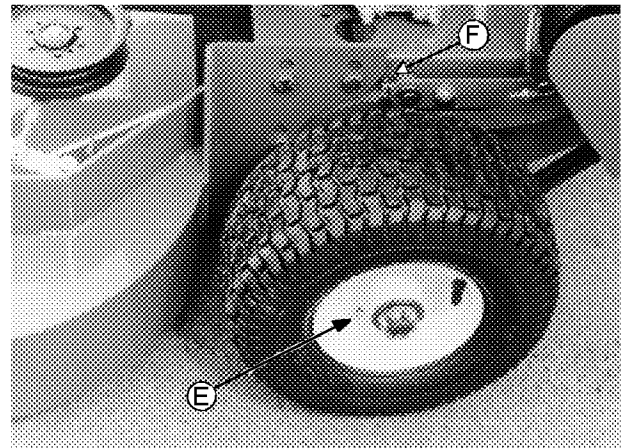
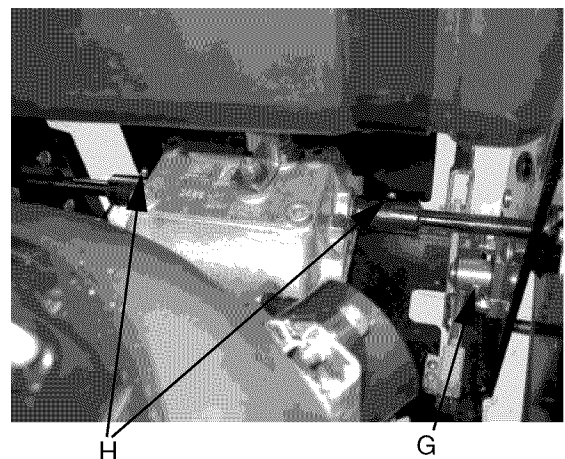


Figura 10



Vista del frente

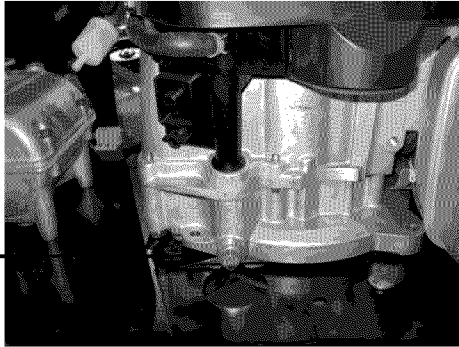
Figura 11

MANTENIMIENTO DEL MOTOR

Si desea obtener las instrucciones detalladas para el mantenimiento del motor de su cortadora, consulte el manual del motor que se embla por separado con su cortadora.

CAMBIO DE ACEITE DEL MOTOR

1. Coloque un recipiente debajo de la cortadora, en el costado derecho.
2. Saque el tapón de drenaje del aceite y vuelva a colocarlo cuando no salga más aceite. (Vea la figura 12)



Tapón de drenaje

Figura 12

3. Vuelva a llenar el motor con aceite a través del tubo de llenado hasta que el nivel del aceite en la varilla de medición llegue a "full" (lleno). (Vea la figura 13)

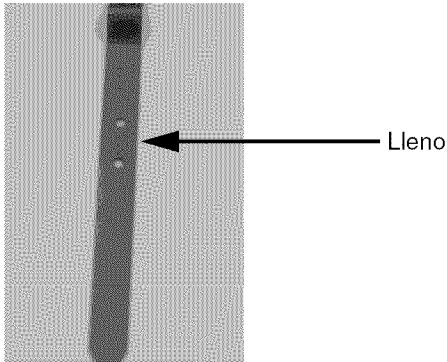


Figura 13

CAMBIO DEL FILTRO DE AIRE

1. Tire de la cubierta para abrirla y descubrir el filtro.
2. Saque el filtro y reemplácelo.
3. Cierre la cubierta.

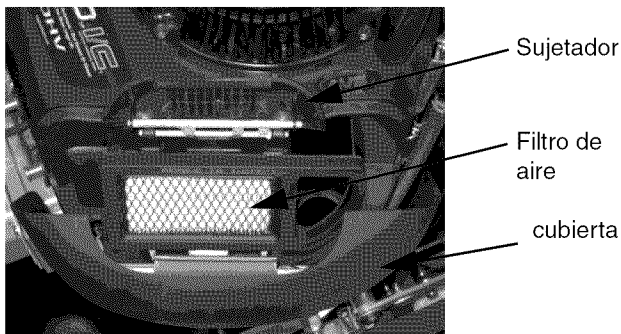


Figura 14

CAMBIO DEL FILTRO DE COMBUSTIBLE

1. Apriete las abrazaderas que están a ambos lados de la manguera del filtro de combustible y sepárelas el filtro aproximadamente una pulgada.
2. Separe las mangueras del filtro.
3. Saque el filtro viejo e introduzca el filtro nuevo en las

mangueras y acerque las abrazaderas al filtro.

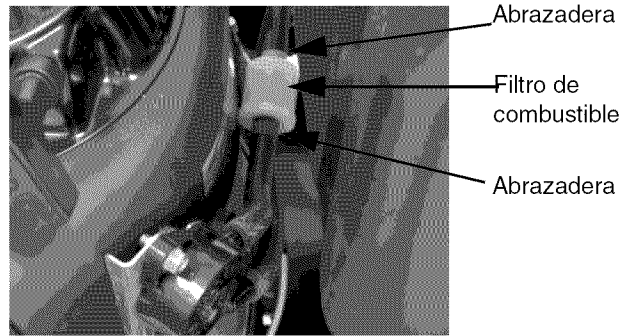


Figura 15

SERVICIO A LA BUJÍA



ADVERTENCIA: Bajo ninguna circunstancia realice ningún tipo de ajuste a la unidad sin detener el motor y desconectar el cable de la bujía con anterioridad.

- Limpie las bujías y ajuste el espacio a 0.030" al menos una vez cada estación, o cada 50 horas de operación. Vea la Figura 16. Se recomienda reemplazar la bujía al inicio de cada temporada. Consulte el listado de piezas del motor para conocer el tipo correcto de bujía.

NOTA: No lije la bujía. Se debe limpiar las bujías mediante raspado o tallado con cepillo de alambre y lavado con un solvente comercial.

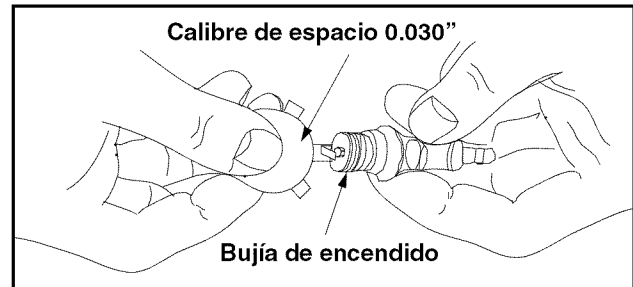


Figura 16

CAMBIO DE LAS CUCHILLAS

(Vea las Figuras 17 y 18)



ADVERTENCIA: Las cuchillas de la cortadora son muy filosas. Utilice guantes o envuelva las cuchillas para protegerse de los bordes filosos.

1. Extraiga la cubierta de la plataforma.
2. Incline la cortadora hacia atrás y trabe el frente de la plataforma.
3. Coloque una llave en el perno de cabeza hexagonal que está debajo de la cuchilla. Use una segunda llave para sacar la tuerca de seguridad que está en la parte superior de la polea del husillo.
4. Recuerde la cantidad de separadores de las cuchillas

que están encima y debajo del husillo.

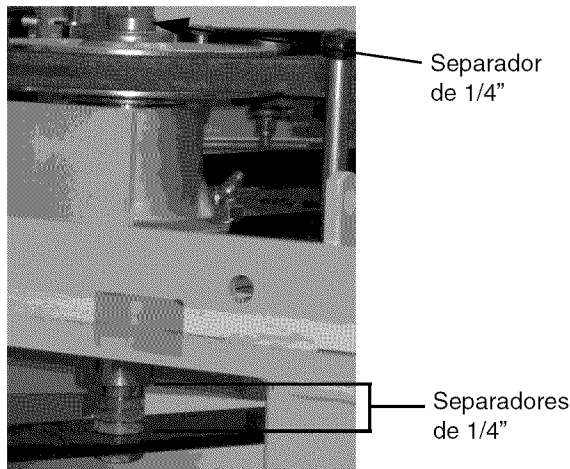


Figura 17

5. Saque el perno largo (9-1/2") de las cuchillas, la arandela plana, la cuchilla y los separadores de las cuchillas.
6. Para cambiar la cuchilla invierta el procedimiento precedente. Tenga cuidado de volver a colocar los separadores de las cuchillas de forma correcta encima y debajo del husillo. Este no es un sistema de cuchillas temporizado y dado que se suministra un traslape para las cuchillas la orientación no es importante.

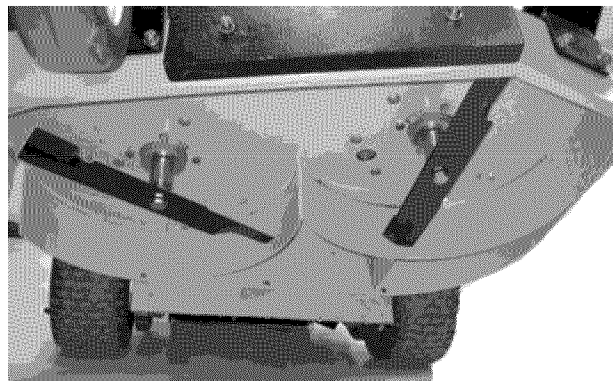


Figura 18

AFILADO DE LAS CUCHILLAS

1. Para afilar las cuchillas, sujete las cuchillas en una morsa y, usando una lima plana, lime cuidadosamente la superficie de corte de cada extremo de la cuchilla hasta lograr un borde filoso.
2. Es necesario reemplazar las cuchillas que presentan ranuras o abolladuras graves que no se pueden eliminar mediante el limado.
3. Es importante que cada borde de la cuchilla de corte sea pulido por igual para mantener el equilibrio adecuado de la cuchilla. Una cuchilla desequilibrada causará vibración excesiva, y puede ocasionar daños materiales a la cortadora que resulten en lesiones personales. Se puede probar la cuchilla balanceándola sobre un destornillador de eje circular. Afíle el metal del lado pesado hasta que quede bien equilibrada.

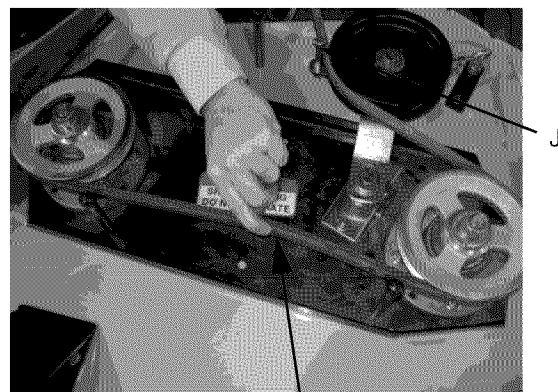
CAMBIO DE LAS CORREAS DE TRANSMISIÓN DE LAS CUCHILLAS

(Vea la figura 19)

1. Compruebe que el embrague de la cuchilla esté

desenganchado.

2. Extraiga la cubierta de la plataforma. (Para esto se necesita una llave de 9/16")
3. Saque el tornillo que sirve de guía para la correa y que está montado en el brazo de la polea intermedia.
(Elemento J, Figura 19.)
4. Deslice la correa larga de transmisión de la cuchilla fuera de las poleas.
5. Coloque una nueva correa larga de transmisión de la cuchilla a través de la guía para correa y enlázela alrededor de la polea del motor y luego alrededor de las dos poleas de la plataforma. El lado posterior de la correa debe ir sobre la polea intermedia.
6. Vuelva a colocar el tornillo, la arandela de seguridad y la tuerca en el brazo de la polea intermedia.
7. Las poleas intermedias se deben ajustar de manera que cuando el embrague de las cuchillas está engranado, una tracción de diez libras entre las dos poleas curve ambas correas aproximadamente 1/2" (Vea la Figura 18). No ajuste demasiado estas correas. El embrague de la cuchilla debe engranarse sólo con fuerza moderada.
8. Vuelva a colocar la cubierta de la plataforma y ajústela con una tuerca de 9/16".



curva de 1/2"

Figura 19

CAMBIO DE LAS CORREAS DE TRANSMISIÓN (Vea la figura 20)

1. Compruebe que el embrague de la cuchilla esté desenganchado.
2. Trabajando debajo de la plataforma del motor, saque la correa larga de transmisión de la cuchilla fuera de la polea del motor.
3. Afloje la tuerca de seguridad (elemento I, Figura 20) sosteniendo la polea intermedia de la correa de transmisión en su lugar y deslice la polea alejándola de la correa de transmisión.
4. Saque la correa vieja y coloque una nueva sobre las poleas.
5. Deslice la polea intermedia nuevamente sobre la correa y ajuste la tuerca de seguridad que la sostiene en su lugar. Se debe ajustar la polea intermedia de manera que una tracción de cinco libras sobre la correa entre la polea del motor y la polea de transmisión curve la correa aproximadamente 3/16".

6. Vuelva a colocar la correa larga de transmisión de la cuchilla en la polea del motor.

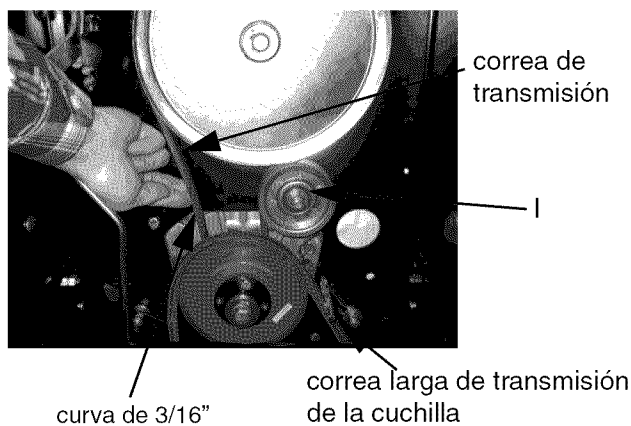


Figura 20

CAMBIO DE LAS CORREAS DE TRANSMISIÓN:

1. Saque los tornillos hexagonales que sostienen las guardas de las correas en su lugar. Retire las guardas de las correas.

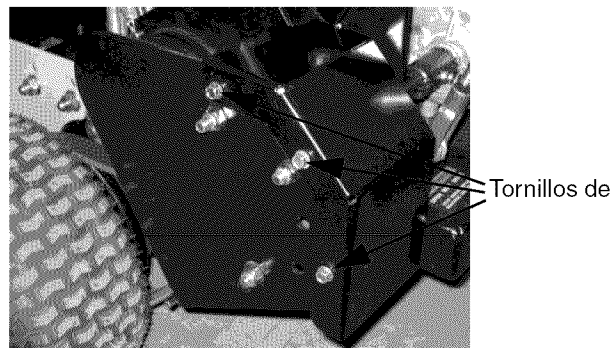


Figura 21

2. Coloque la palanca de seguridad neutra en la posición neutra de bloqueo.
3. Saque las aletas del pasador de las dos uniones giratorias que se insertan a través del soporte intermedio y saque las uniones giratorias del soporte intermedio.
4. Levántelas del soporte intermedio con una mano mientras saca la correa de la polea de eje intermedio con la otra. (Vea la Figura 22.)

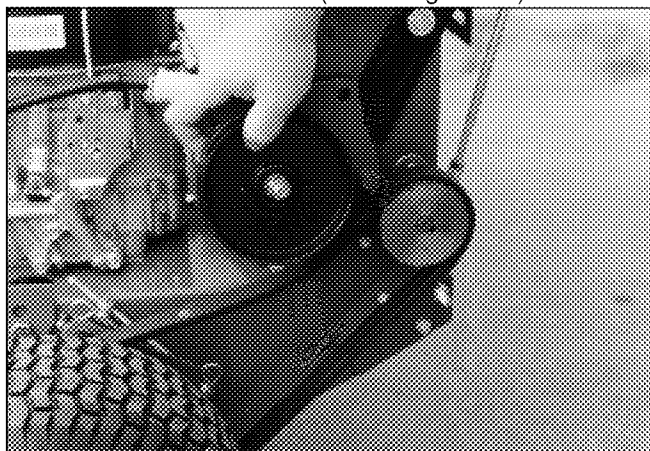


Figura 22

5. Apoye el costado de la cortadora y deslice la correa por encima de la rueda de tracción.
6. Deslice la nueva correa de transmisión sobre la rueda de tracción y enlázela sobre la polea de eje intermedio mientras la levanta sobre el soporte intermedio.
7. Introduzca las uniones giratorias en los orificios del soporte intermedio y vuelva a colocar las aletas del pasador.
8. Vuelva a colocar las guardas de la correa y los tornillos de cabeza hexagonal.

CAMBIO DEL CONJUNTO DEL HUSILLO

1. Compruebe que el embrague de la cuchilla esté desenganchado.
2. Extraiga la cubierta de la plataforma.
3. Saque la cuchilla. (Consulte la información para el cambio de las cuchillas en la página 18.)
4. Saque las correas de transmisión de las cuchillas. (Consulte la información para el cambio de las correas de transmisión de las cuchillas en la página 19.)
5. Saque la polea.
6. Incline la cortadora hacia atrás y trabe el frente de la plataforma.
7. Saque los cuatro pernos y las tuercas de seguridad que sostienen el conjunto del husillo a la plataforma.
8. Saque el conjunto del husillo.

SERVICIO Y AJUSTES

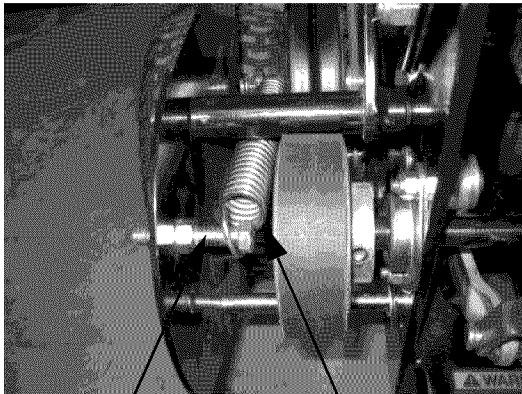


ADVERTENCIA: Bajo ninguna circunstancia realice ningún tipo de ajuste a la unidad sin detener el motor y desconectar el cable de la bujía con anterioridad.

AJUSTE DE LITE-TOUCH

Hay tres orificios en la guarda de la correa que le permiten reposicionar el tornillo de cabeza hexagonal para ajustar la palanca de freno. El orificio superior (tensión suave "lite"), el orificio medio (tensión media) y el orificio inferior (tensión rígida). La unidad se envía con el tornillo de cabeza hexagonal en el orificio superior. CONSULTE LA FIGURA 25 A CONTINUACIÓN COMO REFERENCIA. Para ajustar el perno proceda de la siguiente manera:

1. Saque los tornillos de cabeza hexagonal que retienen la guarda de correa exterior. (Consulte la Figura 21 de la página 20)
2. Saque la tuerca superior que sostiene la guarda de correa interior y afloje la tuerca inferior (NO LA SAQUE). (Vea la figura 25)
3. Con un extractor de resorte, tire del resorte y sepárelo del tornillo de cabeza hexagonal. (Vea la figura 23)



Tornillo de cabeza hexagonal

Resorte

Figura 23

4. Saque la tuerca de seguridad del orificio de "lite touch" en la guarda de correa interior. (Vea la figura 24)



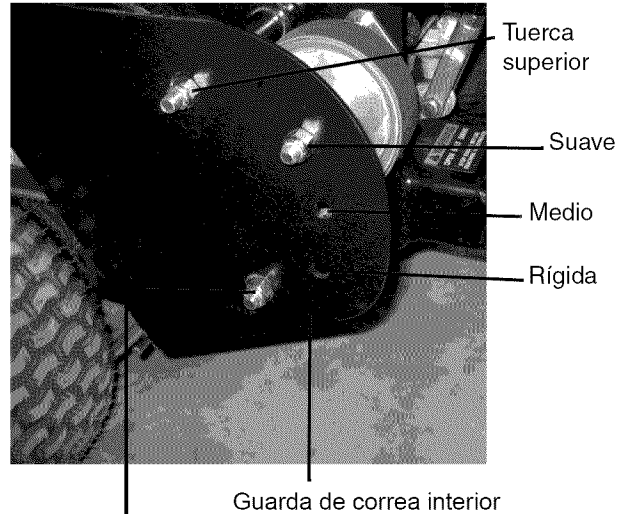
Tuerca de

Figura 24

5. Tire de la guarda de correa interior y sepárela de la unidad. Esto le dará espacio para sacar el perno.
Nota: Si tiene problemas para sacar el perno, siga

aflojando la tuerca inferior de la guarda de correa interior (PERO NO LA SAQUE). Saque el perno y la tuerca. (Vea la figura 25)

6. Vuelva a posicionar el perno y la tuerca en el orificio medio o inferior y reajuste la tuerca. (Vea la figura 25)
7. Use un extractor de resorte y vuelva a conectar el resorte al tornillo de cabeza hexagonal. (Vea la figura 23)
8. Vuelva a ubicar la guarda de correa interior, vuelva a colocar la tuerca superior y reajuste las tuercas inferior y superior. (Vea la figura 25)
9. Vuelva a ubicar la guarda de correa exterior, coloque nuevamente los tornillos de cabeza hexagonal. (Consulte la Figura 21 de la página 20)



Afloje la tuerca inferior (NO LA SAQUE)

Figura 25

TABLA DE AJUSTE DE ALTURA DE CORTE

Nota: El borde delantero de la plataforma de corte debe estar 1/8" - 1/4" por debajo del borde trasero de la plataforma de manera que las cuchillas corten el césped sólo en la mitad delantera de su recorrido circular. De esta manera se reduce la fricción y la potencia de tracción requerida.

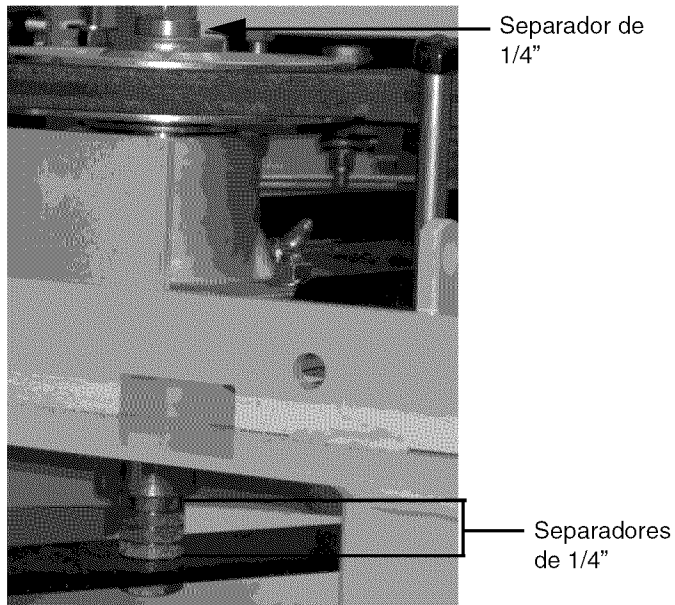


Figura 24

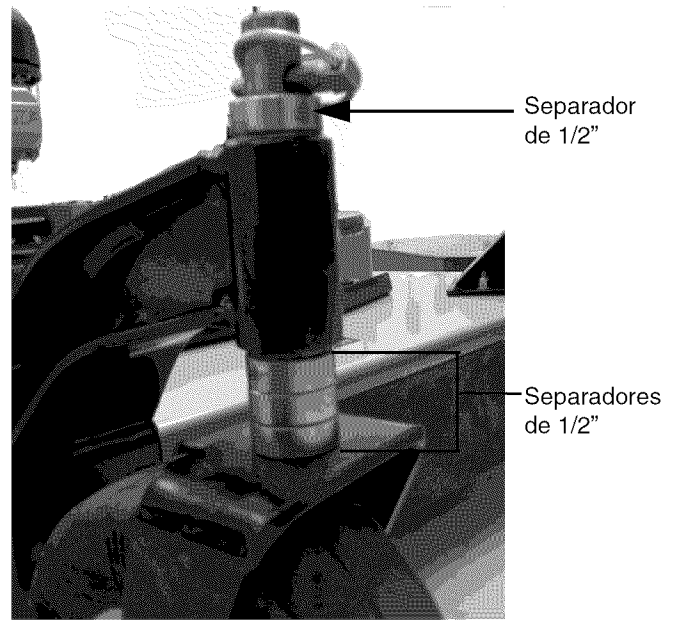


Figura 25

Altura de corte aproximada	1/4": Separadores de las cuchillas que están encima y debajo de los conjuntos del husillo (Vea la figura 24)		Separadores de las rueditas de 1/2" encima y debajo del soporte de las rueditas (Vea la figura 25)		
	Pulgadas	Encima	Debajo	Encima	
2	0	5	3	1	Plataforma del motor atornillada a los orificios superiores de la plataforma de corte.
2-1/8	1	4	3	1	
2-3/8	2	3	3	1	
2-1/2	1	4	2	2	
2-3/4	2	3	2	2	
3	3	2	2	2	
3-1/4	4	1	2	2	
3-1/2	5	0	2	2	
2-3/4	0	5	2	2	
3	1	4	2	2	COMO SE ENVÍA
3-1/4	2	3	2	2	Plataforma del motor atornillada a los orificios inferiores de la plataforma de corte.
3-1/2	3	2	2	2	
3-3/4	4	1	2	2	
3-1/4	0	5	1	3	
3-1/2	1	4	1	3	
3-3/4	2	3	1	3	
4	3	2	1	3	

PROGRAMA DE MANTENIMIENTO



ADVERTENCIA

Antes de realizar cualquier tipo de mantenimiento o servicio, desenganche todos los controles y detenga el motor. Espere a que se detengan completamente todas las piezas móviles. Desconecte el cable de la bujía y póngalo haciendo masa contra el motor para evitar que se encienda accidentalmente. Utilice siempre anteojos de seguridad durante el funcionamiento o mientras ajusta o repara este equipo.

Siga el cronograma de mantenimiento que se presenta a continuación. Esta tabla sólo describe pautas de servicio. Utilice la columna Registro de Servicio para hacer el seguimiento de las tareas de mantenimiento completadas. **Para ubicar el Centro de Servicio Sears más cercano o para programar un servicio, simplemente comuníquese con Sears al teléfono 1-800-4-MY-HOME®.**

Intervalo	Artículo	Servicio	Registro de servicio
Cada uso	<ol style="list-style-type: none"> 1. Cuchillas de la cortadora 2. Piezas sueltas o faltantes 3. Correas 4. Nivel de aceite del motor 5. Nivel de combustible 6. Controles 7. Cojinetes del husillo de las cuchillas de corte 	<ol style="list-style-type: none"> 1. Según necesidad 2. Ajustar o reemplazar 3. Verificar 4. Verificar 5. Verificar 6. Verificar que la orientación sea correcta 7. Lubrique 	
1ras 5 horas	<ol style="list-style-type: none"> 1. Aceite del motor 	<ol style="list-style-type: none"> 1. Cambiar 	
40 horas	<ol style="list-style-type: none"> 1. Aceite del motor 2. Filtro de aire 3. Cuchillas de la cortadora 4. Bujía de encendido 5. Siga la tabla de lubricación 	<ol style="list-style-type: none"> 1. Cambiar 2. Limpiar o reemplazar 3. Afilar y balancear 4. Limpiar, reemplazar, regular 5. Lubrique 	
Antes de almacenar	<ol style="list-style-type: none"> 1. Sistema de combustible 	<ol style="list-style-type: none"> 1. Hacer funcionar el motor hasta que se detenga por falta de combustible o agregar aditivo para gasolina a la que se encuentra en el tanque. 	

ALMACENAMIENTO FUERA DE TEMPORADA



ADVERTENCIA

Nunca almacene la cortadora de césped con combustible en el tanque en un espacio cerrado o en áreas con poca ventilación, donde los gases del combustible puedan alcanzar el fuego, chispas o una luz piloto como la que tienen algunos hornos, calentadores de agua, secadores de ropa o algún otro dispositivo a gas. Nunca recargue ni drene el sistema de combustible en lugares cerrados.

PREPARACIÓN DEL MOTOR

Para motores almacenados durante más de 30 días:

1. Para evitar que se forme goma en el sistema de combustible o en las piezas del carburador, cierre la válvula del combustible, haga funcionar el motor hasta que se detenga por falta de combustible o agregue aditivo para gasolina al combustible del tanque. Si utiliza un aditivo para gasolina, haga funcionar el motor durante varios minutos para que el aditivo circule por el carburador. Después de esto el motor y el combustible se pueden almacenar durante un máximo de seis meses.
2. Cambie el aceite mientras el motor está todavía caliente.
3. Extraiga la bujía de encendido y vierta en el cilindro aproximadamente 1 onza (30 ml) de aceite para motor limpio. Tire varias veces del arrancador de retroceso para distribuir el aceite y reinstale la bujía.
4. Limpie el motor de desechos superficiales.

PREPARACIÓN DE LA CORTADORA DE CÉSPED

- Cuando almacene la cortadora de césped en un galpón de metal o sin ventilación, tenga especial cuidado de realizarle un tratamiento antioxidante a las superficies no pintadas. Cubra el equipo con una capa de aceite liviano o silicona, especialmente los resortes, los cojinetes y los cables.
- Elimine todo el polvo del exterior del motor y del equipo.
- Almacene el equipo en un área despejada y seca. No lo almacene en un lugar donde se encuentren equipos que usan piloto de encendido o con componentes que pueden generar chispas o llamas expuestas.

COMPLEMENTOS Y ACCESORIOS

No. de PIEZA	DESCRIPCIÓN
33317	Colector de césped con sistema de embolsado
33318	Kit de abono

SOLUCIÓN DE PROBLEMAS



ADVERTENCIA

Antes de realizar cualquier tipo de mantenimiento o servicio, desenganche todos los controles y detenga el motor. Espere a que se detengan completamente todas las piezas móviles. Desconecte el cable de la bujía y póngalo haciendo masa contra el motor para evitar que se encienda accidentalmente. Utilice siempre anteojos de seguridad durante el funcionamiento o mientras ajusta o repara este equipo.

NEED MORE HELP?

You'll find the answer and a more on managemyhome.com – for free!

- Find this and all your other product manuals online.
- Get answers from our team of home experts.
- Get a personalized maintenance plan for your home.
- Find information and tools to help with home projects.

manage my home

brought to you by Sears

En esta sección se analizan problemas menores de servicio. Para ubicar el Centro de Servicio Sears más cercano o para programar un servicio, simplemente comuníquese con Sears al teléfono 1-800-4-MY-HOME®.

IMPORTANTE: Antes de intentar solucionar los problemas debe comprobar que: la transmisión esté en Neutro, las palancas de seguridad neutras estén bloqueadas en las palancas de control, el embrague de la cuchilla esté desenganchado y en la posición "OFF" (apagado).

Problema	Causa	Solución
El motor no arranca	<ol style="list-style-type: none"> 1. No se ha activado el cebador 2. El control del regulador/cebador no está en la posición correcta. 3. Se ha desconectado el cable de la bujía 4. La bujía no funciona correctamente 5. El tanque de combustible está vacío o el combustible es viejo 6. La línea del combustible está bloqueada 	<ol style="list-style-type: none"> 1. Coloque la palanca de control del regulador/cebador en la posición cebador. 2. Coloque la palanca de control del regulador/cebador en la posición rápido. 3. Conecte los cables a la bujía. 4. Limpie, ajuste la separación, o cambie la bujía. 5. Llène el tanque con gasolina limpia y nueva. 6. Pida a un distribuidor de servicio Sears que le limpie la línea de combustible.
El motor funciona de manera errática	<ol style="list-style-type: none"> 1. La unidad está funcionando con el cebador activado. 2. El cable de la bujía está flojo 3. El combustible es viejo. 4. Agua o suciedad en el sistema del combustible. 5. El filtro de aire está sucio 	<ol style="list-style-type: none"> 1. Mueva la palanca del regulador/cebador para sacarlo de la posición cebador. 2. Conecte y ajuste el cable de la bujía. 3. Llène el tanque con gasolina nueva. 4. Drene el combustible. Vuelva a llenar el tanque con combustible nuevo. 5. Reemplace el cartucho del filtro de aire.
El motor recalienta	<ol style="list-style-type: none"> 1. El nivel de aceite del motor está bajo 2. Flujo de aire restringido 	<ol style="list-style-type: none"> 1. Llène el motor con la cantidad y tipo de aceite adecuados. 2. Limpie los recortes de pasto y la suciedad acumulados alrededor de las aletas de refrigeración del motor y del alojamiento del soplador.
El motor vacila a altas revoluciones	<ol style="list-style-type: none"> 1. La separación de los electrodos de la bujía es muy poca 	<ol style="list-style-type: none"> 1. Extraiga la bujía y regule la separación
El motor funciona mal en marcha lenta	<ol style="list-style-type: none"> 1. La bujía de encendido está sucia 2. El filtro de aire está sucio 	<ol style="list-style-type: none"> 1. Extraiga la bujía y regule la separación. 2. Reemplace el cartucho del filtro de aire.
Demasiada vibración	<ol style="list-style-type: none"> 1. Las cuchillas de corte están flojas o desbalanceadas 2. La cuchilla de corte está dañada, desafilada o doblada 3. Herrajes flojos 	<ol style="list-style-type: none"> 1. Apriete la cuchilla y el husillo. Estabilice la cuchilla. 2. Reemplace la cuchilla. 3. Ajuste todos los pernos y las tuercas.
La unidad no se autoimpulsa	<ol style="list-style-type: none"> 1. Las correas de transmisión están flojas o dañadas 	<ol style="list-style-type: none"> 1. Reemplace la correa de transmisión.
Bajo rendimiento de corte	<ol style="list-style-type: none"> 1. Cuchillas desafiladas 2. Correas rotas, flojas o gastadas 3. Cuchillas desbalanceadas 	<ol style="list-style-type: none"> 1. Afile o cambie las cuchillas. 2. Cambie las correas. 3. Balancee o cambie las cuchillas.

Esta página se dejó en blanco intencionalmente

Esta página se dejó en blanco intencionalmente

DECLARACIÓN DE GARANTÍA DEL CONTROL DE LAS EMISIONES DE CALIFORNIA DERECHOS Y OBLIGACIONES DE SU GARANTÍA

El Departamento de los Recursos de Aire de California y MTD Consumer Group Inc, se complacen en explicar la garantía del sistema de control de emisiones por evaporación de su cortadora de césped 2008. En California, las nuevas máquinas para cortar césped se deben diseñar, construir y equipar de modo de cumplir con las rigurosas normas contra la polución del estado. MTD Consumer Group Inc debe garantizar el sistema de control de emisiones por evaporación (EECS) de su cortadora de césped por el período de tiempo indicado más abajo, siempre y cuando no exista uso incorrecto, negligencia o mantenimiento inadecuado de dicha máquina.

El sistema EECS puede incluir piezas tales como el carburador, el sistema de inyección a combustible, el sistema de encendido, el convertidor catalítico, los depósitos de combustible, las líneas de combustible, los tapones de combustible, las válvulas, contenedores, filtros, mangueras de vapor, abrazaderas, conectores y otros componentes afines relacionados con las emisiones.

Donde exista una condición cubierta por la garantía, MTD Consumer Group Inc reparará su cortadora de césped sin costo alguno incluyendo el diagnóstico, las piezas y la mano de obra.

COBERTURA DE LA GARANTÍA DEL FABRICANTE:

Este sistema de control de emisiones por evaporación se garantiza por el término de dos años. Si alguna pieza de su equipo relacionada con las emisiones por evaporación es defectuosa, MTD Consumer Group Inc reparará o sustituirá dicha parte.

RESPONSABILIDADES DEL PROPIETARIO SEGÚN LA GARANTÍA

En su carácter de propietario de la cortadora de césped, usted es responsable del mantenimiento requerido que se especifica en el manual del propietario. MTD Consumer Group Inc le recomienda que conserve todos los recibos que cubren el mantenimiento de su cortadora de césped, no obstante lo cual MTD Consumer Group Inc no podrá denegar el cumplimiento de la garantía únicamente por la falta de los recibos.

Como propietario de la cortadora de césped, usted debe saber que MTD Consumer Group Inc puede denegar la cobertura de la garantía si su cortadora de césped o una pieza de la misma fallan debido a uso incorrecto, negligencia, mantenimiento indebido o a modificaciones no aprobadas.

Usted es responsable de presentar la cortadora de césped al centro de distribución o de mantenimiento de MTD Consumer Group Inc tan pronto como apareciera el problema. Las reparaciones cubiertas por la garantía se deben llevar a cabo en un lapso razonable que no exceda de 30 días. Si desea realizar alguna consulta con respecto a la cobertura de la garantía, debe ponerse en contacto con su distribuidor local de MTD. Para comunicarse con la Línea de Asistencia al Cliente de Distribuidores de MTD, llame al número (800) 800-7310.

COBERTURA DE LA GARANTÍA DE EMISIONES GENERALES:

MTD Consumer Group Inc garantiza al comprador final y a cada comprador subsiguiente que la cortadora de césped: está diseñada, construida y equipada de modo de cumplir con todas las regulaciones aplicables y que se encuentra libre de defectos de materiales y de fabricación que pudieren causar la falla de una pieza garantizada idéntica en todos los aspectos materiales a la pieza descrita en la solicitud de certificación de MTD Consumer Group Inc.

El período de garantía comienza en la fecha de entrega de la cortadora al comprador final o en la fecha en que la máquina se pone en funcionamiento por primera vez. El período de garantía es de dos años. Sujeto a ciertas condiciones y exclusiones que se indican a continuación, la garantía de las piezas relacionadas con las emisiones es la siguiente:

1. Cualquier pieza garantizada que no esté programada para ser reemplazada como parte del mantenimiento requerido en las instrucciones escritas suministradas se garantiza por el período de garantía arriba mencionado. Si la pieza falla durante el período de cobertura de la garantía, la misma será reparada o reemplazada por MTD Consumer Group Inc de acuerdo con el párrafo (4) a continuación. Cualquier pieza reparada o reemplazada según la garantía se garantizará por el resto del período de garantía.
2. Cualquier pieza garantizada que esté programada solamente para inspección regular en las instrucciones escritas suministradas se garantiza por el período de garantía arriba mencionado. Cualquier pieza reparada o reemplazada según la garantía se garantizará por el resto del período.
3. Cualquier pieza garantizada que esté programada para reemplazo según el mantenimiento requerido de conformidad con las instrucciones escritas suministradas, se garantiza por el período de tiempo anterior a la primera fecha de reemplazo programada para esa pieza. Si la pieza falla antes del primer reemplazo programado, la misma será reparada o reemplazada por MTD Consumer Group Inc de acuerdo con el párrafo (4) a continuación. Cualquier pieza reparada o reemplazada bajo garantía se garantizará por el resto del período anterior al primer reemplazo programado puntual para esa pieza.
4. La reparación o el reemplazo de cualquier pieza garantizada de conformidad con las disposiciones de la garantía que aquí se estipula se debe realizar en un centro de servicio técnico sin costo alguno para el propietario.
5. No obstante las disposiciones que aquí se estipulan, los servicios o reparaciones bajo garantía se suministrarán en todos nuestros centros de distribución bajo franquicia de mantenimiento para los motores o equipo en cuestión.
6. El propietario de la cortadora de césped no deberá pagar el trabajo de diagnóstico directamente asociado con una pieza garantizada defectuosa en relación con las emisiones, siempre y cuando dicho trabajo de diagnóstico se realice en un centro cubierto por la garantía.
7. MTD Consumer Group Inc es responsable por daños causados a otros componentes de motores o equipo derivados de la falla bajo garantía de cualquier pieza garantizada.
8. Durante la totalidad del período de garantía arriba mencionado, MTD Consumer Group Inc mantendrá un suministro de piezas bajo garantía suficiente para satisfacer la demanda esperada de tales piezas.
9. Cualquier pieza de reemplazo se podrá usar para el cumplimiento del mantenimiento bajo garantía o las reparaciones se suministrarán sin cargo para el propietario. Dicho uso no reducirá las obligaciones de garantía de MTD Consumer Group Inc.
10. No se podrán usar piezas adicionales ni modificadas que no estén exentas de acuerdo con el Departamento de los Recursos del Aire (Air Resources Board). El uso de cualquier pieza adicional o modificada no exenta por el comprador final será causal de invalidez de los reclamos bajo garantía. MTD Consumer Group Inc no tendrá responsabilidad por la garantía de fallas de piezas garantizadas que fueren causadas por el uso de una pieza no exenta adicional o modificada.

PIEZAS GARANTIZADAS:

La reparación o el reemplazo de cualquier pieza garantizada que de otro modo pudiese estar cubierta por la garantía podrá ser excluida de tal cobertura de garantía si MTD Consumer Group Inc demuestra que la cortadora de césped es objeto de uso incorrecto, negligencia o mantenimiento inadecuado, y que tal uso incorrecto, negligencia o mantenimiento inadecuado fue causa directa de la necesidad de reparación o reemplazo de dicha pieza. No obstante lo antedicho, cualquier ajuste de un componente con un dispositivo de limitación de ajuste instalado en fábrica y que funcione adecuadamente, podrá ser cubierto por la garantía. La siguiente lista de piezas es cubierta por la garantía de emisiones: Línea de combustible, abrazaderas de la línea de combustible

(1) Sistema de medición de combustible

- Sistema de mejora para inicio en frío (cebado suave)
- Carburador y componentes internos
- Bomba de combustible
- Depósito de combustible

(2) Sistema de inducción de aire

- Filtro de aire
- Colector de entrada

(3) Sistema de encendido

- Bujía(s)
- Sistema de encendido por magneto

(4) Sistema de escape

- Convertidor catalítico
- SAI (Válvula de lámina)

(5) Componentes varios utilizados en el sistema anterior

- Válvulas e interruptores de vacío, temperatura, posición sensibles al tiempo
- Conectores y montajes

(6) Control evaporativo

- Manguera de combustible certificados para las emisiones de evaporación ARB 2008
- Abrazaderas de manguera de combustible
- Ate a la tapa del combustible
- Frasco del carbón
- Líneas de vapor

Get it fixed, at your home or ours!

Your Home

For expert troubleshooting and home solutions advice:

manage my home

www.managemyhome.com

For repair – **in your home** – of **all** major brand appliances, lawn and garden equipment, or heating and cooling systems, **no matter who made it, no matter who sold it!**

For the replacement parts, accessories and owner's manuals that you need to do-it-yourself.

For Sears professional installation of home appliances and items like garage door openers and water heaters.

1-800-4-MY-HOME[®] (1-800-469-4663)

Call anytime, day or night (U.S.A. and Canada)

www.sears.com www.sears.ca

Our Home

For repair of carry-in items like vacuums, lawn equipment, and electronics, call anytime for the location of your nearest

Sears Parts & Repair Service Center

1-800-488-1222 (U.S.A.)

www.sears.com

1-800-469-4663 (Canada)

www.sears.ca

To purchase a protection agreement on a product serviced by Sears:

1-800-827-6655 (U.S.A.)

1-800-361-6665 (Canada)

Para pedir servicio de reparación a domicilio, y para ordenar piezas:

1-888-SU-HOGAR[®]

(1-888-784-6427)

Au Canada pour service en français:

1-800-LE-FOYER^{MC}

(1-800-533-6937)

www.sears.ca

Sears