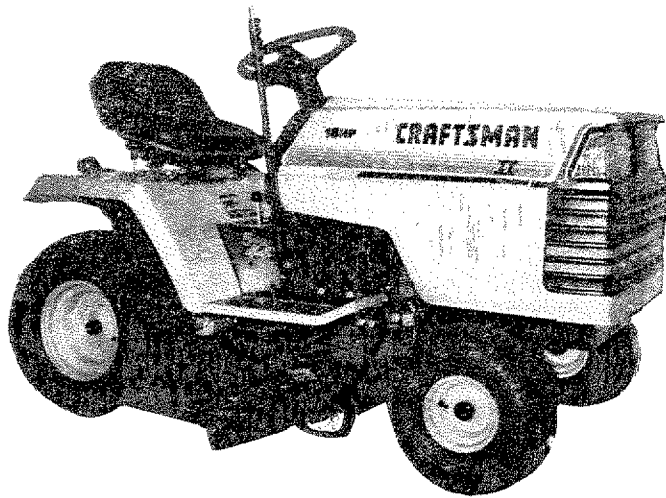


**SEARS**  
**OWNERS**  
**MANUAL**

**MODEL NO.**  
**917.254722**

**Caution:**  
Read and Follow  
All Safety Rules  
and Instructions  
Before Operating  
This Equipment



**CRAFTSMAN**  
**YT 18HP TWIN CYLINDER**  
**5 SPEED-44" MOWER**  
**YARD TRACTOR**

- **Assembly**
- **Operation**
- **Maintenance**
- **Repair and Adjustment**
- **Repair Parts**

## SAFETY RULES

1. Know the controls and how to stop quickly. READ THIS OPERATOR'S MANUAL and instructions furnished with attachments.
2. Do not allow children to operate the machine. Do not allow adults to operate it without proper instruction.
3. Do not carry passengers. Do not mow when children and others are around.
4. Always wear substantial footwear. Do not wear loose fitting clothing that could get caught in moving parts.
5. Keep your eyes and mind on your tractor, mower and the area being cut. Do not let other interests distract you.
6. Do not attempt to operate your tractor or mower when not in the drivers seat.
7. Always get on or off your tractor from the operator's left hand side.
8. Clear the work area of objects (wire, rocks, etc.) which might be picked up and thrown.
9. Disengage all attachment clutches before attempting to start the engine.
10. Disengage power to attachments and stop the engine before leaving the operator's position.
11. Disengage power to mower, stop the engine and disconnect spark plug wire(s) from spark plug(s) before cleaning, making an adjustment or repair. Be careful to avoid touching hot muffler or engine components.
12. Disengage power to attachments when transporting or not in use.
13. Take all possible precautions when leaving the vehicle unattended. Disengage the power-take-off, lower the attachments, shift into neutral, set the parking brake, stop the engine and remove the key.
14. Do not stop or start suddenly when going, uphill or downhill. Mow up and down the face of slopes (not greater than 15°); never across the face. Refer to page 51.
15. Reduce speed on slopes and make turns gradually to prevent tipping or loss of control. Exercise extreme caution when changing direction on slopes.
16. While going up or down slopes, place Gear Shift Control Lever in 1st gear position to negotiate the slope without stopping.
17. Never mow in wet or slippery grass, when traction is unsure or at a speed which could cause a skid.
18. Stay alert for holes in the terrain and other hidden hazards. Keep away from drop-offs.
19. Do not drive too close to creeks, ditches and public highways.
20. Exercise special care when mowing around fixed objects in order to prevent the blades from striking them. Never deliberately run tractor or mower into or over any foreign objects.
21. Never shift gears until tractor comes to a stop.
22. Never place hands or feet under the mower, in discharge chute or near any moving parts while tractor or mower are running. Always keep clear of discharge chute.
23. Use care when pulling loads or using heavy equipment.
  - a. Use only approved drawbar hitch points.
  - b. Limit loads to those you can safely control.
  - c. Do not turn sharply. Use care when backing.
  - d. Use counterweight or wheel weights when suggest in the owner's manual.
24. Watch out for traffic when crossing or near roadways.
25. When using any attachments, never direct discharge of material toward bystanders nor allow anyone near the vehicle while in operation.
26. Handle gasoline with care - it is highly flammable.
  - a. Use approved gasoline containers.
  - b. Never remove the fuel cap of the fuel tank or add gasoline to a running or hot engine or an engine that has not been allowed to cool for several minutes after running. Never fill tank indoors, always clean up spilled gasoline.
  - c. Open doors if the engine is run in the garage - exhaust fumes are dangerous. Do not run the engine indoors.
27. Keep the vehicle and attachments in good operating condition, and keep safety devices in place and working.
28. Keep all nuts, bolts and screws tight to be sure the equipment is in safe working condition.
29. Never store the equipment with gasoline in the tank inside a building where fumes may reach an open flame or spark. Allow the engine to cool before storing in any enclosure.
30. To reduce fire hazard, keep the engine free of grass, leaves or excessive grease. Do not clean product while engine is running.
31. Except for adjustments; DO NOT operate Engine if air cleaner or cover directly over carburetor air intake is removed. Removal of such part could create a fire hazard.
32. Do not operate without a muffler or tamper with exhaust system. Damaged mufflers or spark arresters could create a fire hazard. Inspect periodically and replace if necessary.
33. The vehicle and attachments should be stopped and inspected for damage after striking a foreign object and the damage should be repaired before restarting and operating the equipment.
34. Do not change the engine governor settings or overspeed the engine; severe damage or injury may result.
35. When using the vehicle with mower, proceed as follows;
  - a. Mow only in daylight or in good artificial light.
  - b. Shut the engine off when unclogging chute.
  - c. Check the blade mounting bolts for proper tightness at frequent intervals.
36. Do not operate the mower without the deflector shield in place.
37. Disengage power to mower before backing up. Do not mow in reverse unless absolutely necessary and then only after careful observation of the entire area behind the mower.
38. Under normal usage the grass catcher bag material is subject to deterioration and wear. It should be checked frequently for bag replacement. Replacement bags should be checked to ensure compliance with the original manufacturer's recommendations or specifications.



LOOK FOR THIS SYMBOL TO POINT OUT IMPORTANT SAFETY PRECAUTIONS. IT MEANS - ATTENTION! BECOME ALERT! YOUR SAFETY IS INVOLVED.

CAUTION:

LOOK FOR THIS WORD TO POINT OUT IMPORTANT EQUIPMENT PRECAUTIONS.



This unit is equipped with an internal combustion engine and should not be used on or near any unimproved forest covered, brush covered or grass covered land unless the engine's exhaust system is equipped with a spark arrester meeting applicable local or state laws (if any). If a spark arrester is used, it should be maintained in effective work order by the operator.

In the State of California the above is required by law (Section 4442 of the California Public Resources Code). Other states may have similar laws. Federal laws apply on federal lands. Refer to Repair Parts Section page 34.

**CONGRATULATIONS** on your purchase of a Sears 18HP Yard Tractor. It has been designed, engineered and manufactured to give you the best possible dependability and performance.

Should you experience any problem you cannot easily remedy, please contact your nearest Sears Service Department. We have competent, well-trained technicians and the proper tools to service or repair this unit.

## **MAINTENANCE AGREEMENT**

A Sears Maintenance Agreement is available on this product. See the nearest Sears store or Service Center for details.

## **CUSTOMER RESPONSIBILITIES**

Read and retain this manual. Study and observe the safety rules. Always use care when using your tractor. Always keep your tractor and mower clean. Follow a regular schedule in maintaining, caring for, and using your tractor. A well cared for tractor will run better and last longer.

## **ATTACHMENTS**

This unit can use many attachments now available at your Sears store. It can use a tiller, but cannot use other attachments that engage the ground like a plow, harrow, or cultivator. See page 50 for a list of available attachments.

<b>SERIAL NUMBER</b> _____
<b>DATE OF PURCHASE</b> _____
THE SERIAL NUMBER WILL BE FOUND ON THE MODEL PLATE UNDER THE SEAT.
YOU SHOULD RECORD THESE NUMBERS AND KEEP FOR FUTURE REFERENCE.

### **LIMITED TWO YEAR WARRANTY ON ELECTRIC START RIDING EQUIPMENT**

For two years from date of purchase, when this riding equipment is maintained, lubricated, and tuned up according to the operating and maintenance instruction in the owner's manual, Sears will repair free of charge any defect in material or workmanship in this electric start riding equipment.

This warranty excludes blade(s), blade adapter(s), spark plug(s), air cleaner and belt(s), which are expendable and become worn during normal use.

This warranty does not cover:

- Tire replacement or repair caused by punctures from outside objects (such as nails, thorns, stumps, or glass); and
- repairs necessary because of operator abuse or negligence, including the failure to maintain the equipment according to instructions contained in the owner's manual; and
- riding equipment used for commercial or rental purposes.

### **FULL 90-DAY WARRANTY ON BATTERY**

For 90 days from the date of purchase, if any battery included with this riding equipment proves defective in material or workmanship and our testing determines the battery will not hold a charge, Sears will replace the battery at no charge.

WARRANTY SERVICE IS AVAILABLE BY CONTACTING THE NEAREST SEARS SERVICE CENTER/DEPARTMENT IN THE UNITED STATES. This warranty applies only while this product is in use in the United States.

This warranty gives you specific legal rights, and you may also have other rights which may vary from state to state.

**SEARS, ROEBUCK AND CO., D/731CR-W SEARS TOWER, CHICAGO, ILL. 60684**

# INDEX

A		F	
Adjustments:		Fuel:	
Brake	17	Type	13
Carburetor	22	Storage	25
Mower Drive Belt	11	Fuse	22
Mower			
Front-To-Rear	23	H	
Side-To-Side	23	Hood Removal	23
Throttle Control Cable	21		
Air Cleaner		L	
Cleaning	18	Lubrication:	
Paper Cartridge	18	Chart	20
Air Intake Screen, Engine	19	Tractor Pivot Points	19
Assembly	5-11		
Attachments	50	M	
		Maintenance	16-20
B		Air Filter	18
Battery:		Air Cleaner Paper Cartridge	18
Charging	21	Air Intake Screen, Engine	19
Cleaning	18	Battery	18
Installation	8	Blade Sharpening	17
Levels	18	Brake Adjustment	17
Preparation	7	Engine Oil	16
Starting with Weak Battery	21	Lubrication Chart	20
Storage	25	Spark Plugs	19
Terminals	18	Tire Care	17
Belt:		Mower:	
Motion Drive Replacement	22	Adjustment, Front-to-Rear	23
Mower Drive Adjustment	11	Adjustment, Side-to-Side	23
Mower Drive, Removal	10	Blade Sharpening	17
Blade:		Blade Replacement	24
Sharpening	17	Cutting Level	11
Replacement	24	Installation	10
Brake Adjustment	17	Operation	14
		Removal	23
C		Muffler	19
Carburetor Adjustment	22	Spark Arrester	2
Controls, Tractor	12		
Cutting Level, Mower	23	O	
		Oil	
E		Cold Weather Conditions	16
Engine:		Engine	16
Air Screen	19	Storage	25
Oil Change	18	Operation	12-15
Oil Level	16	Operating Your Mower	14
Oil Type	16	Operating Your Tractor	14
Starting	13	Starting the Engine	13
Storage	25		
		Stopping Your Tractor	13
		Tractor Operation on Hills	15
		Options	
		Attachments	50
		Spark Arrester	2
		P	
		Parts Bag	5,6
		R	
		Repair and Adjustments	20-24
		Blade	24
		Carburetor	22
		Fuse	22
		Hood Removal	23
		Motion Drive Belt Replacement	22
		Mower Adjustment, Front-to-Rear	23
		Mower Adjustment, Side-to-Side	23
		Mower Removal	23
		S	
		Safety Rules	2
		Seat	
		Service Record	2
		Slope Guide Sheet	51
		Spark Plugs	19
		Speed Control Chart	14
		Starting the Engine	13
		Steering Wheel	8
		Stopping the Tractor	13
		Storage	25
		T	
		Throttle Control Cable Adjustment	21
		Tires	17
		Trouble Shooting Chart	26
		W	
		Warranty	3
		Wiring (Schematic)	29

## KNOW YOUR TRACTOR

# ASSEMBLY

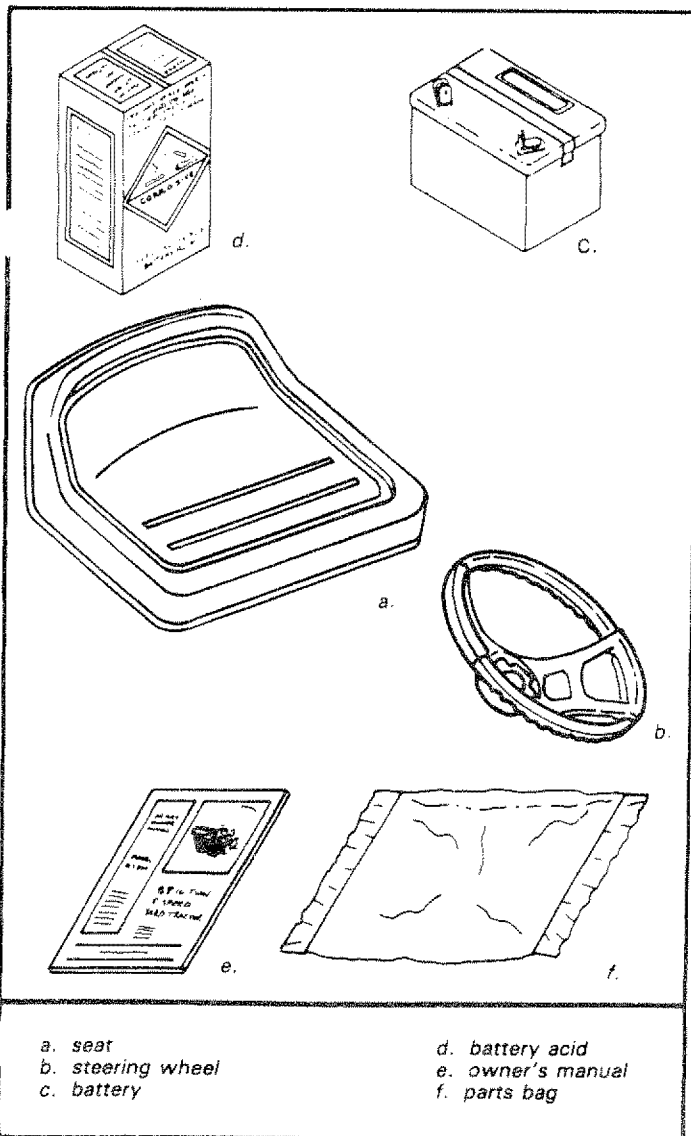
READ THIS OWNER'S MANUAL BEFORE OPERATING YOUR YARD TRACTOR. If you understand the machine and its operation, you will achieve efficient and peak performance. While reading the manual, compare the illustrations with your Yard Tractor to familiarize yourself with the location of various controls and adjustments. Study the operating instructions and safety precautions thoroughly to insure proper functioning of your Yard Tractor and to prevent injury to yourself and others. Be sure to pay strict attention to all notes and cautions; they are included for your safety. Save this manual for future reference.

### Unpacking Instructions

1. Take items out of carton; the box contains the items shown below.
2. Cut down four corners of the carton with a utility knife and fold down sides.
3. Remove Mower Deck from skid.
4. Disengage Parking Brake
5. Carefully guide the tractor backwards off the skid.



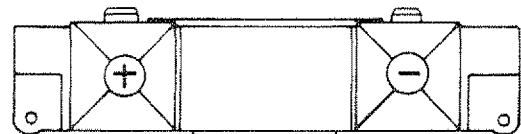
The operation of any tractor can result in foreign objects thrown into the eyes, which can result in severe eye damage. Always wear safety glasses or eye shields before starting your tractor and while mowing. We recommend Wide Vision Safety Mask worn over spectacles or standard safety glasses, available at Sears Retail or Catalog Stores.



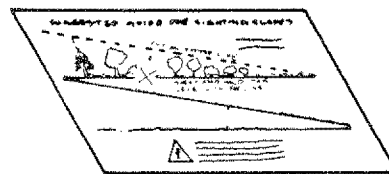
### Parts Bag Contents Not Shown Full Size:



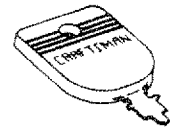
(2) Battery Carriage Bolts - 1/4 - 20 x 7 - 1/2



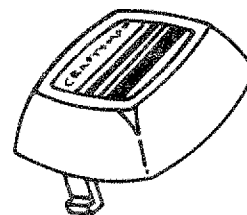
Terminal Guard



15° Slope Instruction Sheet



(2) Keys



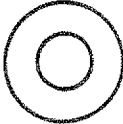


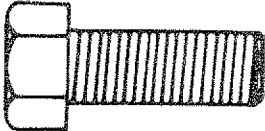
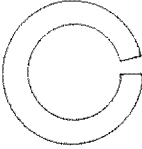
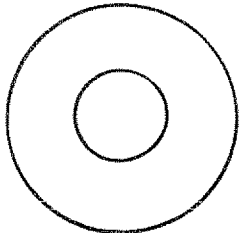
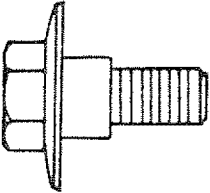


Steering Wheel Insert



(6) Battery Caps

# ASSEMBLY

ASSEMBLY LOCATION	PARTS BAG CONTENTS SHOWN FULL SIZE
BATTERY	 <p>(2) Wing Nut - 1/4 - 20</p>
BATTERY TERMINALS	 <p>(2) Hex Bolt, 1/4 - 20 x 3/4</p>  <p>(2) Washer 9/32 x 5/8 x 16 Ga.</p>  <p>(2) Lockwasher 1/4</p>  <p>(2) Hex Nut, 1/4 - 20</p>
SEAT	 <p>(1) Hex Bolt, 1/2 - 13 x 1</p>  <p>(1) Lockwasher, 1/2</p>  <p>(1) Washer, 17/32 x 1-3/16 x 12 Ga.</p>  <p>(1) Shoulder Bolt</p>

To assemble and adjust your tractor you will need:

- |                    |                     |
|--------------------|---------------------|
| (2) 7/16" wrenches | Tire Pressure Gauge |
| (1) 9/16" wrench   | Screwdriver         |
| (1) 1/2" wrench    | Utility Knife       |
| (1) 3/4" wrench    | Ratchet Wrench      |
| (1) 3/4" socket    |                     |

NOTE: RIGHT HAND (R.H.) AND LEFT HAND (L.H.) ARE DETERMINED FROM OPERATOR'S POSITION WHILE SEATED ON THE TRACTOR.

# ASSEMBLY

CUT AWAY VIEW

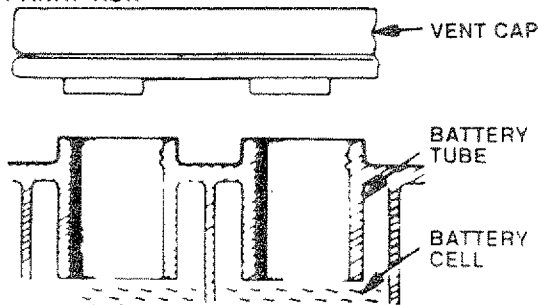


FIGURE 1

## WEAR EYE AND FACE SHIELD.

WASH HANDS OR CLOTHING IMMEDIATELY IF ACCIDENTALLY IN CONTACT WITH BATTERY ACID.



DO NOT SMOKE; FUMES FROM CHARGED BATTERY ACID ARE EXPLOSIVE.

READ THE INSTRUCTIONS INCLUDED WITH THE BATTERY VENT CAPS IN THE BAG OF PARTS. ALWAYS WEAR GLOVES, CLOTHING AND GOGGLES TO PROTECT YOUR HANDS, SKIN AND EYES.

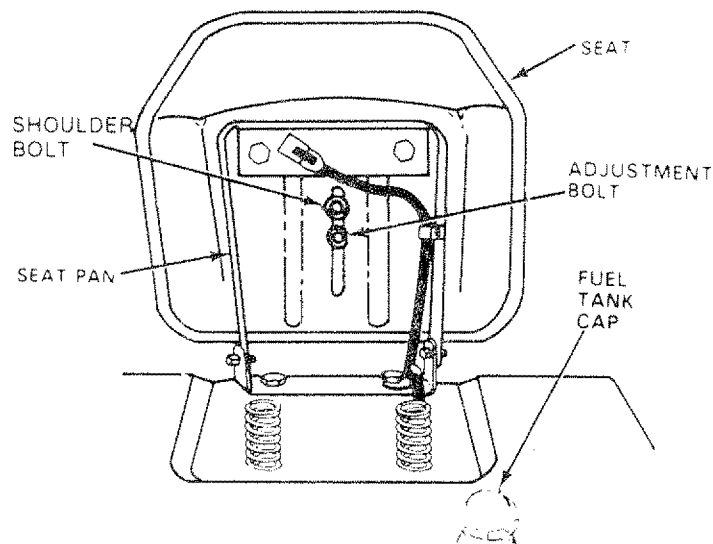


FIGURE 2

## 1. Prepare Battery

- Fill and charge battery (before installing). NOTE: SEE DETAILED INSTRUCTIONS PACKAGED WITH BATTERY VENT CAPS IN BAG OF PARTS.
- Fill each cell with battery acid. Add the acid until it reaches the bottom of the vent wells (Fig. 1). NOTE: DO NOT OVERFILL. OVERFILLING WILL RESULT IN DAMAGE TO TRACTOR.
- Allow battery to stand and settle for at least thirty minutes. If the level of acid falls below the point described in step (b), add more acid until the correct level is reached. NOTE: UNEVEN FILLING OF CELLS WILL AFFECT THE BATTERY CAPACITY AND LIFE. Install the battery caps to cover the vent wells. Wash the top of the battery with water to remove any acid, then wipe dry.
- Check battery case for leakage to make sure that no damage has occurred in handling.
- It is recommended that the battery be charged before use. Use a 12 volt battery charger. Charge battery at a rate of 6 amperes for 1 hour. NOTE: OBSERVE ALL SAFETY PRECAUTIONS REQUIRED FOR BATTERY CHARGING. Check the acid level after the battery is charged. If the acid has fallen below the correct level, add water.
- Neutralize excess battery acid for disposal by adding it to four inches of water in a five gallon plastic container. Stir with a wooden or plastic paddle while adding baking soda until the addition of more soda causes no more foaming.

## 2. Install Seat

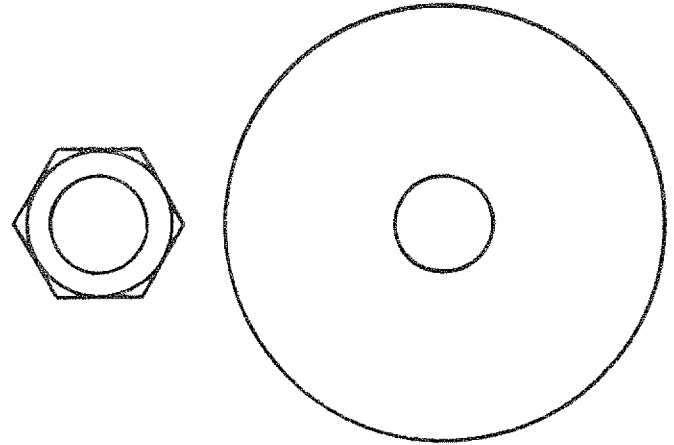
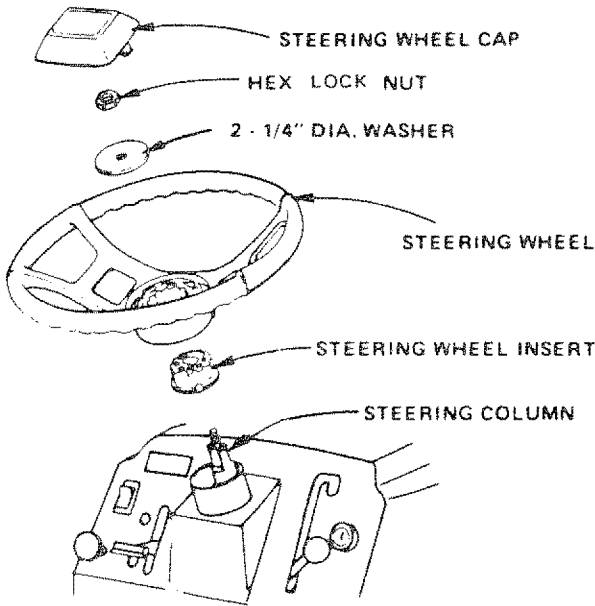
- Place seat on seat pan. Screw hex head machine screw, lockwasher and flat washer into seat (Fig. 2). Screw shoulder bolt into seat (Fig. 2). Machine screw, shoulder bolt and washers found in bag of parts (shown full size on page 6).
- Tighten shoulder bolt using a 1/2" wrench. NOTE: THE SHOULDER BOLT WILL BE LOOSE IN THE SEAT PAN SLOT.
- Place seat in operating position. Sit on the seat and press clutch/brake pedal all the way down. If operating position is not comfortable, adjust seat.
- To adjust, raise seat. Loosen adjustment bolt (Fig. 2) and slide seat to a comfortable operating position. Tighten adjustment bolt securely using a 3/4" wrench.

# ASSEMBLY

## 3. Install Steering Wheel

NOTE: POSITION FRONT WHEEL FORWARD.

- a. Use a 3/4" wrench to remove lock nut, and 2 - 1/4" diameter washer (shown full size below) from steering column (Fig. 3).



- b. Position steering wheel over steering wheel insert.
- c. Secure steering wheel to steering column using 2-1/4" diameter washer and lock nut (Fig. 3). Torque to 50 ft - lbs.
- d. Snap steering wheel cap in place on steering wheel. Steering wheel cap found in bag of parts.

FIGURE 3

## 4. Check Tires

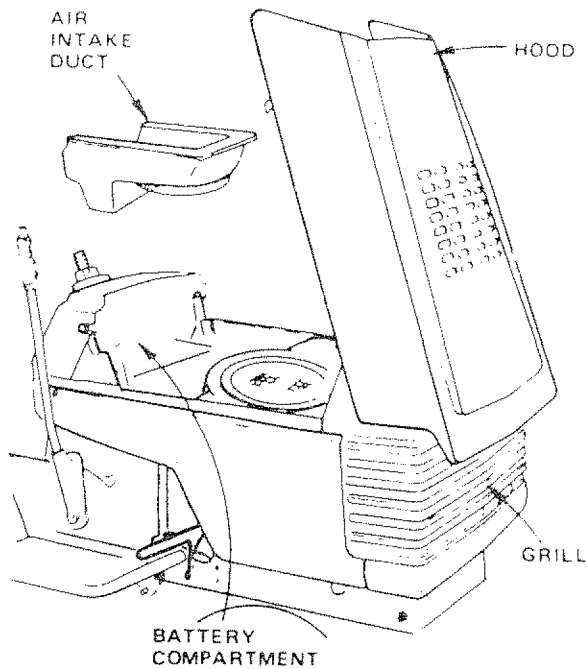
Reduce tire pressure to 14 PSI in front tires and 12 PSI in rear tires. (Tires were overinflated for shipping purposes).

## 5. Install Battery

**DO NOT SHORT BATTERY TERMINALS**



**BEFORE INSTALLING BATTERY, REMOVE METAL BRACETS, WRISTWATCH BANDS, RINGS, ETC.**



- a. Lift hood from rear sides (Fig. 4).
- b. Lift out air intake duct.
- c. Make sure drain tube (Fig. 5) is fastened to drain hole in battery tray and battery tray is positioned in hole of battery support.
- d. Place battery in plastic tray (battery terminals to front of tractor) (Fig. 5).

FIGURE 4

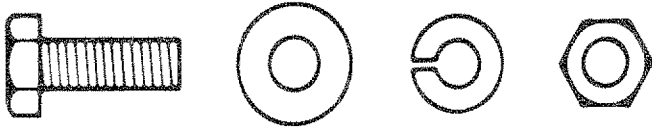


**POSITIVE TERMINAL MUST BE CONNECTED FIRST TO PREVENT SPARKS FROM ACCIDENTAL GROUNDING.**



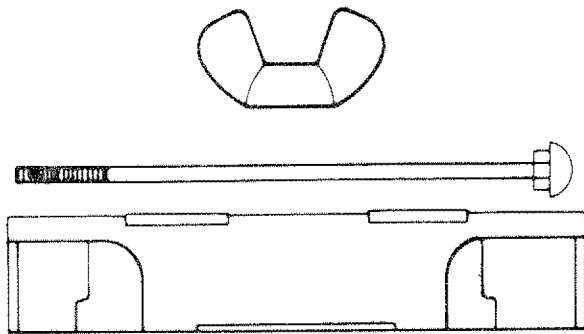
# ASSEMBLY

- e. Connect RED battery cable to positive (+) battery terminal with hex bolt, flat washer, lockwasher and hex nut (shown full size below) found in bag of parts (Fig. 5). Tighten securely.
- f. Connect BLACK ground cable to negative (-) battery terminal with remaining hex bolt, flat washer, lockwasher and hex nut (shown full size below) found in bag of parts (Fig. 5). Tighten securely.



NOTE: IF YOU HAVE A WEAK BATTERY, SEE "STARTING YOUR TRACTOR WITH A WEAK BATTERY" (PAGE 21).

- g. Using the slotted hole on one side of the battery support (Fig. 6) insert one battery bolt into frame slot (head of bolt down). Fasten the battery bolt to the terminal guard using wing nuts. (Bolts, nuts and terminal guard found in bag of parts).
- h. Assemble the remaining bolt to other side of battery support and fasten terminal guard to it with remaining wing nut (shown full size below). Tighten wing nuts securely by hand (Fig. 6).



- i. Replace air intake duct (Fig. 4). Make sure bottom lip of duct sits between battery and lip of battery tray.
- j. Remove plastic from tractor hood and close.

NOTE: USE TERMINAL ACCESS DOORS (FIG. 6) FOR:

1. INSPECTION FOR SECURE CONNECTIONS (TIGHTEN HARDWARE)
2. INSPECTION FOR CORROSION
3. TESTING BATTERY
4. JUMPING (IF REQUIRED)
5. CHARGING (IF REQUIRED)

**KEEP TERMINAL ACCESS DOORS CLOSED WHEN NOT IN USE.**



**DO NOT START ENGINE UNTIL MOWER SUSPENSION BRACKET HAS BEEN RELEASED. SEE MOWER AND DRIVE BELT INSTALLATION, PAGE 10.**

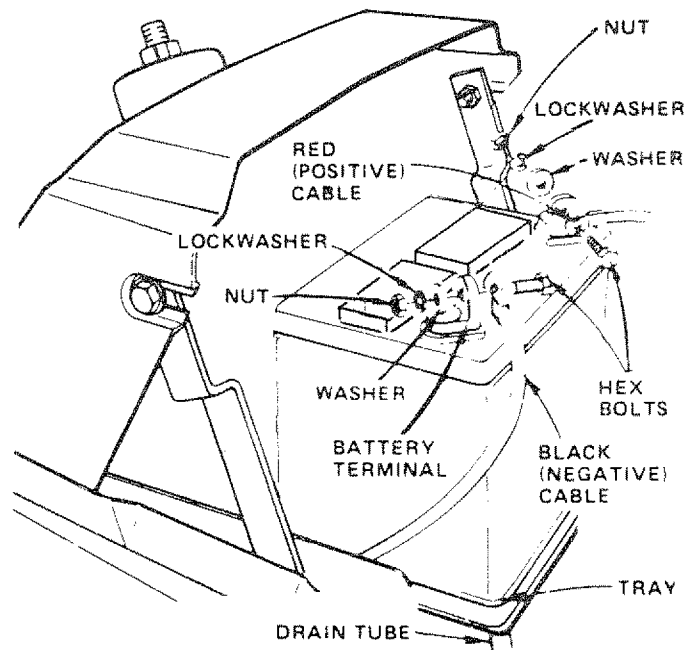


FIGURE 5

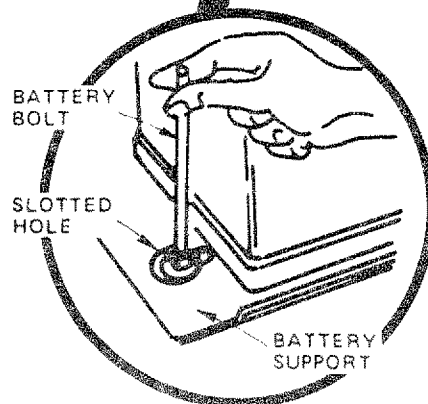
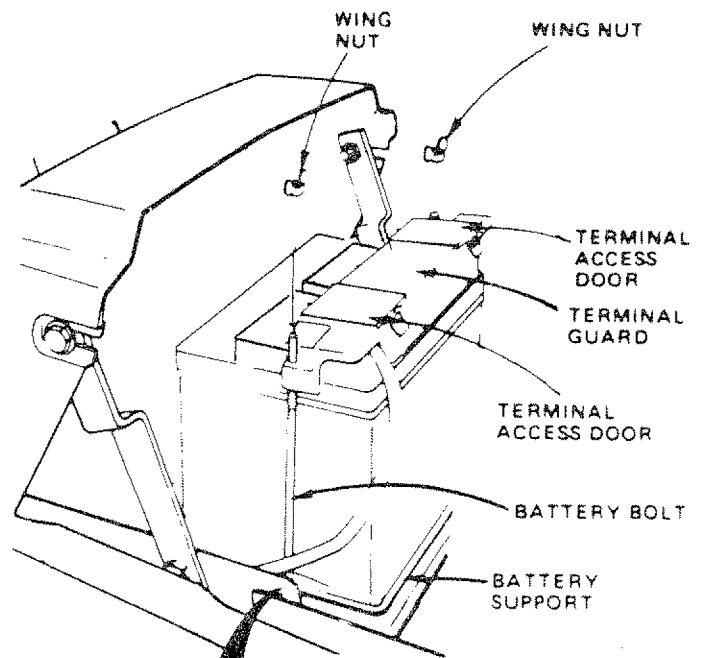


FIGURE 6

# ASSEMBLY

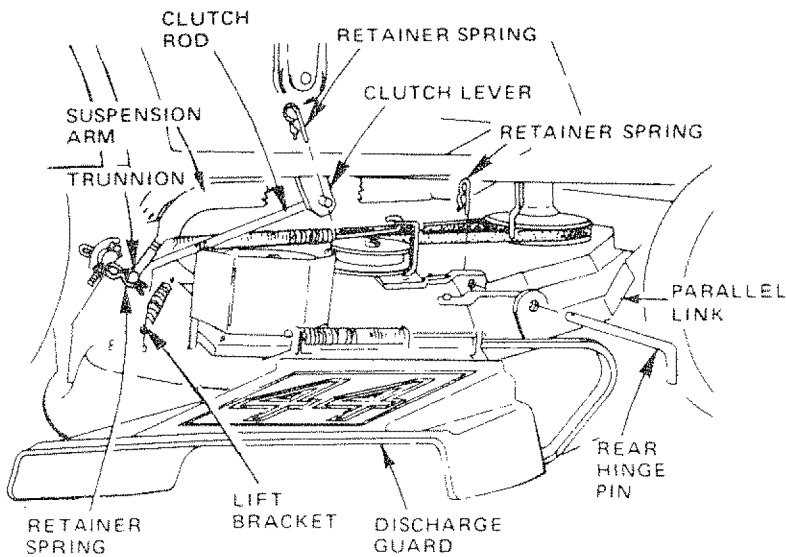


FIGURE 7

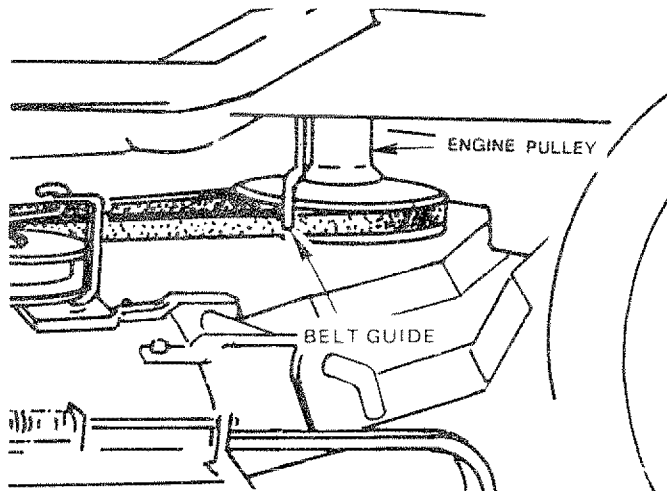


FIGURE 8

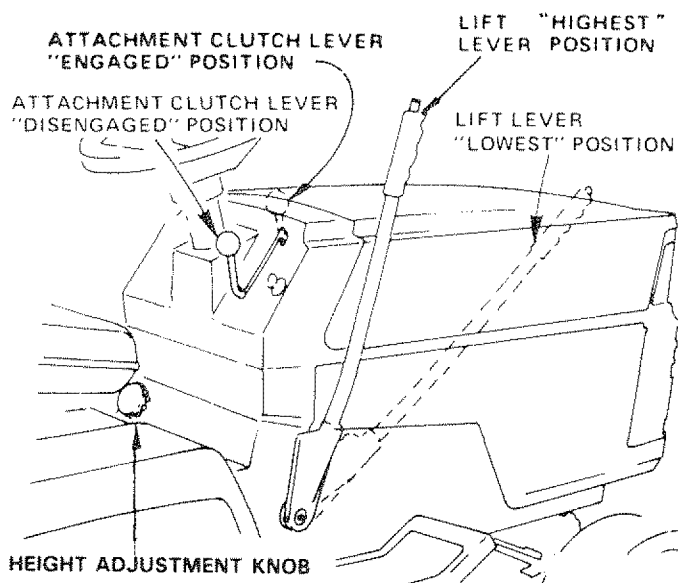


FIGURE 9

## 6. Mower Installation

Your 44" mower installs without the use of tools.

- Raise lift lever (Fig. 9) to its highest position.
- Turn height adjustment knob counterclockwise (↺) to lowest position (Fig. 9).
- Slide mower under tractor, discharge guard to R.H. side.
- Install rear hinge pin through mower lift brackets and parallel link (Fig. 7). Secure with retainer spring.
- Install clutch rod in clutch lever (Fig. 7). Secure with retainer spring.
- Move lift lever forward to lower suspension arms.
- Slide trunnions through rear lift bracket holes and secure with retainer spring (Fig. 7).
- Roll belt over engine pulley. Make sure belt is inside belt guides (Fig. 8). See belt drive schematic decal on mower housing.
- Use lift lever to raise mower.
- Turn height adjustment knob clockwise (↻) to the middle of its travel.

## 7. Mower Drive Belt Removal

REPLACE ONLY WITH BELTS SPECIFIED IN THIS MANUAL.

- Place attachment clutch lever in "disengaged" position (Fig. 9).
- Turn height adjustment knob counterclockwise (↺) to lowest position.
- Move attachment lift lever (Fig. 9) forward to lower mower to its lowest position.
- Roll belt off engine pulley (Fig. 8).
- Use 1/2" wrench to loosen two nuts on R.H. belt guard. Pull belt off pulley (Fig. 10).
- Use 9/16" wrench to loosen nut on L.H. idler pulley. Pull belt off pulley (Fig. 10).
- Slide belt from under spring.
- To replace mower drive belt, reverse above procedure. Make sure drive belt is inside mower drive pulley belt guides (Fig. 8).

NOTE: BELT GUIDE TO BELT CLEARANCE SHOULD BE MAINTAINED AT 5/32" TO 1/4".

## 8. Mower Drive Belt Adjustment

Your tractor has been manufactured with the ability to re-adjust the mower drive belt to provide you with longer belt life.

If the attachment clutch lever (Fig. 9) travels 3-1/2" up the slot in the dash before spring tension resistance is evident, adjustment is necessary. NOTE: CHECK FOR PROPER SPRING TENSION WITH ENGINE OFF AND LIFT LEVER IN HIGHEST POSITION.

- Lower or remove the mower deck for easier access.
- Using (2) 7/16" wrenches, remove the two washers from the rock shaft assembly (Fig. 11).
- Move extension spring from lower end of slot to upper end in rock shaft assembly and install the two washers (Fig. 11).
- Tighten bolt and nut to secure the washers.

NOTE: WHEN INSTALLING A NEW BELT, EXTENSION SPRING MUST BE RETURNED TO THE LOWER END OF THE SLOT ON ROCK SHAFT ASSEMBLY.

## 9. Replace Mower Blade Drive Belt

- Remove mower from tractor (page 23).
- Remove mower drive belt (page 10).
- Pull belt towards rear of mower at tensioning pulley. Place a block between tension brackets and spring brackets. Roll belt off tensioning pulley (Fig. 12).
- Roll belt off all other pulleys.
- Use pliers to remove brake spring (Fig. 13).
- Remove cotter pin from brake rod (Fig. 11).
- Pull belt out from under brake rod of mower.
- To install belt, reverse above procedure. Make sure belt is engaged in all pulleys.
- Replace brake springs, brake rod and retainer spring. Tighten two nuts on belt guard and nut on L.H. idler pulley (Fig. 10).

## 10. Check the Cutting Level

The blade housing was set at the factory to cut level. After mowing a short distance, look at the area that was cut. If the blade housing cuts uneven; see the instructions on "Side-to-Side and Front-to-Rear Mower Adjustment" (page 23).

## 11. Final Assembly

- Make sure all fasteners are tight.
- Read and follow the operation instructions (page 12). Know the location and purpose of all controls.
- Check oil and gasoline (page 13) before starting the tractor.

# ASSEMBLY

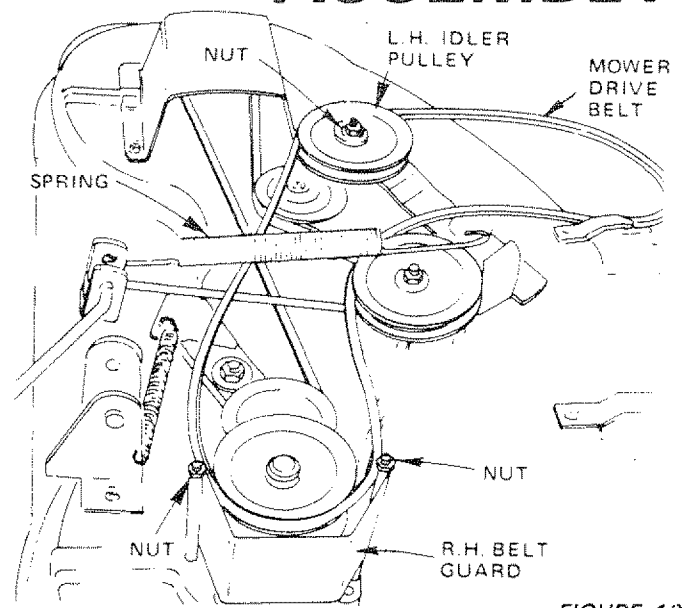


FIGURE 10

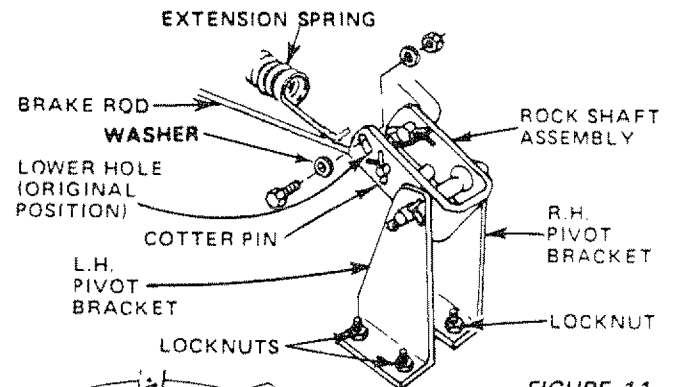


FIGURE 11

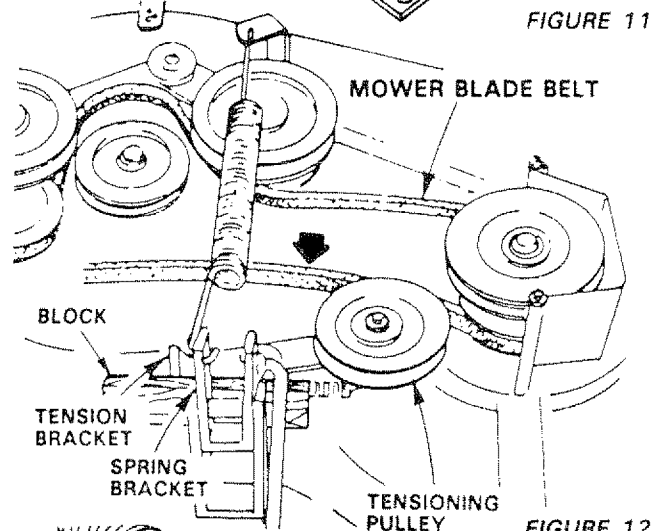


FIGURE 12

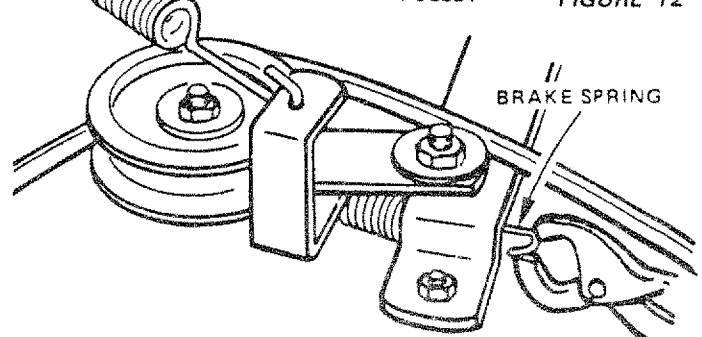
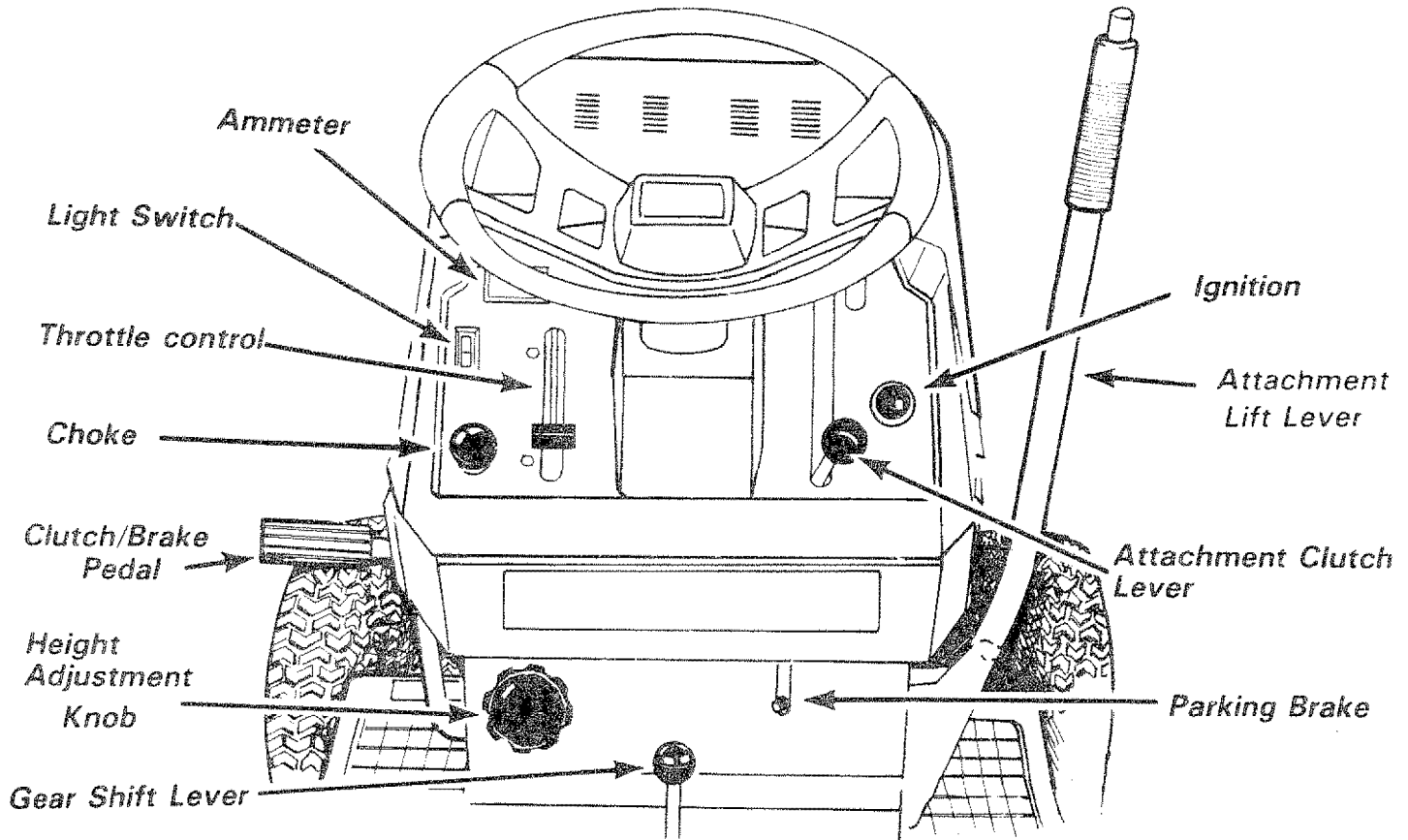


FIGURE 13

# OPERATION

## KNOW YOUR TRACTOR

READ THIS OWNER'S MANUAL BEFORE OPERATING YOUR YARD TRACTOR. If you understand the machine and operation, you will achieve efficient and peak performance. While reading the manual, compare the illustrations with your Yard Tractor to familiarize yourself with the location of various controls and adjustments. Study the operating instructions and safety precautions thoroughly to insure proper functioning of your Yard Tractor and to prevent injury to yourself and others. Be sure to pay strict attention to all notes and cautions; they are included for your safety. Save this manual for future reference.



**AMMETER:** Each time you start your tractor, check your ammeter. The needle should move towards the (+) charging mark indicating the battery is being charged as you operate the tractor. The headlights will not show a discharge on the ammeter because they are not connected to the battery (they have their own electrical source).

**ATTACHMENT CLUTCH LEVER:** Push lever up to engage mower. There will be an engine hesitation as the clutch engages.

**ATTACHMENT LIFT LEVER:** Use the attachment lift lever to raise and lower the attachment mounted to your tractor. Move the lift lever forward to lower attachment.

**CLUTCH/BRAKE PEDAL:** The pedal has 2 functions: a clutch and a brake. To engage the brake push the pedal completely down.

**HEIGHT ADJUSTMENT KNOB:** Use the height adjustment knob to adjust the mower height. With the attachment lift lever in the "up" position, turn knob clockwise (↻) to raise cutting height and counterclockwise (↻) to lower cutting height. Lower Attachment lift lever.

**GEARSHIFT:** Press the clutch/brake pedal down firmly and move gear shift lever to desired speed.

**IGNITION:** Place key in ignition and turn to the right to start.

**LIGHT SWITCH:** Turns on and off the headlights.

**PARKING BRAKE:** To set the parking brake, push the clutch/brake pedal completely forward. Place the parking brake lever in "Engaged" position and release pressure from pedal. Clutch/brake pedal will remain in brake position. To release, push pedal in.

**THROTTLE CONTROL:** Use the throttle control to increase or decrease the speed of the engine.

**CHOKER:** To start a cold engine, pull choke out to engage.

## 1. Stopping Your Tractor

**CAUTION: DO NOT CHOKE CARBURETOR TO STOP THE ENGINE**

**NOTE: REMOVE KEY WHEN LEAVING TRACTOR TO PREVENT UNAUTHORIZED USE.**

- Push clutch/brake pedal into full "BRAKE" position.
- Move gear shift lever to "NEUTRAL" position.
- Place parking brake in "ENGAGED" position and release pressure from clutch/brake. Pedal should remain in "BRAKE" position. **NOTE: MAKE SURE PARKING BRAKE WILL HOLD TRACTOR SECURE.**
- Place attachment clutch lever in "DISENGAGED" position.
- Move throttle control to "S" (slow) position.
- Turn ignition key to "OFF" position. Never use choke to stop engine.

## 2. Starting The Engine



**LEARN TO START, STOP AND REVERSE YOUR TRACTOR IN A LARGE, OPEN AREA.**



**THIS TRACTOR IS EQUIPPED WITH INTERLOCK SWITCHES TO PREVENT STARTING OF THE TRACTOR ENGINE WHILE THE MOWER BLADE CLUTCH LEVER IS IN THE "ENGAGED" POSITION AND/OR THE FOOT PEDAL IS NOT FULLY DEPRESSED. IMMEDIATELY REPLACE SWITCHES THAT ARE NOT IN PROPER WORKING ORDER. DO NOT ATTEMPT TO DEFEAT THE PURPOSE OF THESE SWITCHES.**

- This engine has been shipped filled with summer weight oil. For cold weather operation, see chart on page 16. Check engine oil level with tractor on level ground. Remove and wipe dipstick (Fig. 14) clean, screw it in tight for a few seconds, remove and read oil level. If necessary, add oil until "FULL" mark is reached.
- Fill fuel tank. Use fresh, clean, regular UNLEADED automotive gasoline. (Use of leaded gasoline will increase carbon and lead oxide deposits and reduce valve life). Capacity is 3-1/2 gallons.

### CAUTION:

EXPERIENCE INDICATES THAT ALCOHOL-BLENDED FUELS (CALLED GASOHOL OR USING ETHANOL OR METHANOL) CAN ATTRACT MOISTURE WHICH LEADS TO SEPARATION AND FORMATION OF ACIDS DURING STORAGE. ACIDIC GAS CAN DAMAGE THE FUEL SYSTEM OF AN ENGINE WHILE IN STORAGE.

TO AVOID ENGINE PROBLEMS, THE FUEL SYSTEM SHOULD BE EMPTIED BEFORE STORAGE FOR 30 DAYS OR LONGER. DRAIN THE GAS TANK, START THE ENGINE AND LET IT RUN UNTIL THE FUEL LINES AND CARBURETOR ARE EMPTY. USE FRESH FUEL NEXT SEASON. SEE STORAGE INSTRUCTIONS FOR ADDITIONAL INFORMATION.

NEVER USE ENGINE OR CARBURETOR CLEANER PRODUCTS IN THE FUEL TANK OR PERMANENT DAMAGE MAY OCCUR.

# OPERATION

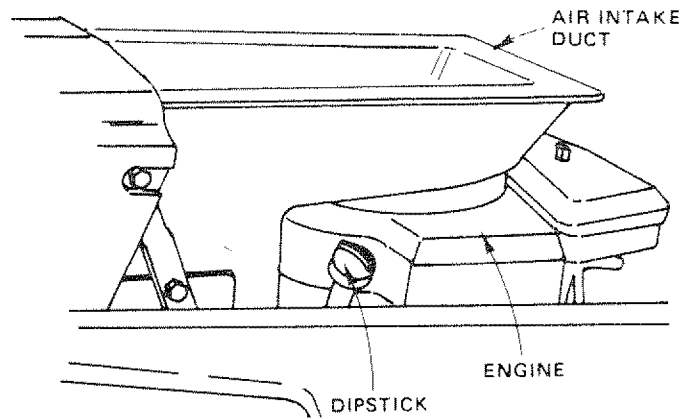


FIGURE 14

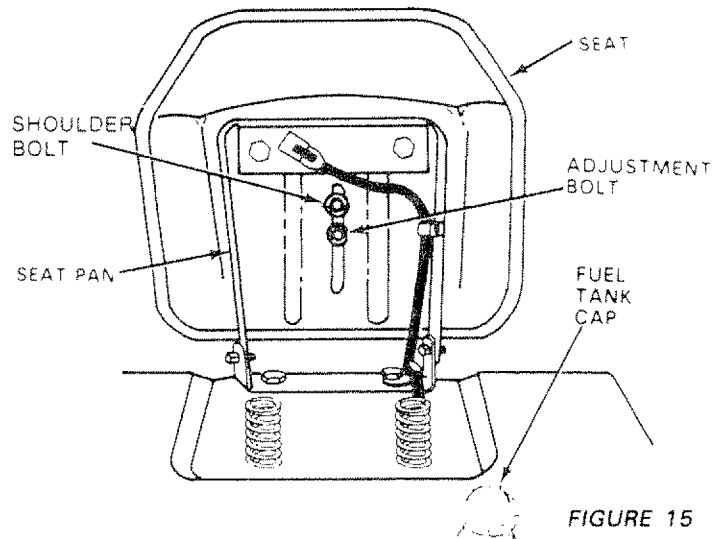


FIGURE 15



**FILL TO BOTTOM OF GAS TANK FILLER NECK. DO NOT OVERFILL. WIPE OFF ANY SPILLED OIL OR FUEL. DO NOT STORE, SPILL OR USE GASOLINE NEAR AN OPEN FLAME.**

- Place attachment clutch lever in "disengaged" position (Fig. 17).
- Push clutch/brake pedal fully into brake position.
- Place gear shift lever in "NEUTRAL" position (Fig. 17).
- Pull choke out (Fig. 17).
- Move throttle control to middle position (Fig. 17).
- Turn ignition key clockwise (⤵) to "START" position and release key as soon as engine starts. **NOTE: DO NOT RUN STARTER CONTINUOUSLY FOR MORE THAN FIFTEEN SECONDS PER MINUTE. If engine does not start after several attempts, move throttle control to "F" (fast) position, wait a few minutes and try again.**

**NOTE: IF YOU HAVE A WEAK BATTERY, SEE "STARTING YOUR TRACTOR WITH A WEAK BATTERY" (PAGE 21).**

- After engine is warm, push choke in. The first time you start the engine, it will take extra cranking time to move fuel from tank to the engine.

# OPERATION

NOTE: ALLOW ENGINE TO WARM UP FOR A FEW MINUTES BEFORE ENGAGING CLUTCH OF TRACTOR OR ATTACHMENT.

- j. When restarting a warm engine, move throttle control midway between "S" (slow) and "F" (fast) positions. Choke may not have to be used.

**IMPORTANT: BEFORE DRIVING THE TRACTOR, INSTALL MOWER OR REMOVE MOWER PARALLEL LINK.**



FUNCTION	GEARSHIFT	THROTTLE
Normal Mowing	2 or 3	
Heavy Mowing	1 or 2	
Snow Blade	1, 2 or 3	
Snow Blower or Tiller	1	
Transport	3, 4 or 5	 FAST

TABLE 1

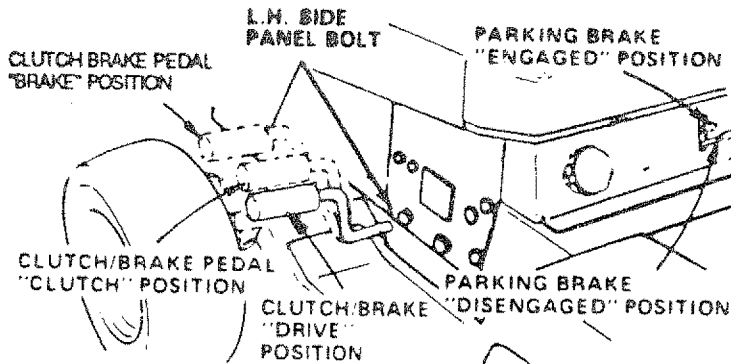


FIGURE 16



**READ THE "RULES FOR SAFE OPERATION" CAREFULLY BEFORE OPERATING YOUR MOWER.**

THE MOWER MUST BE ADJUSTED PROPERLY FROM FRONT TO REAR AND LEVELED FROM SIDE TO SIDE BEFORE OPERATING. THIS IS NECESSARY FOR LEVEL AND EFFICIENT MOWING. REFER TO PAGE 23.

**CAUTION:** DO NOT ADD ADDITIONAL WEIGHT TO THE TRACTOR OTHER THAN THE OPTIONAL WHEEL WEIGHTS. EXCESSIVE WEIGHT MAY OVERLOAD AND DAMAGE THE TRANSMISSION.

## 3. Operating Your Tractor and Mower

NOTE: THIS TRACTOR IS EQUIPPED WITH AN OPERATOR PRESENCE SENSING SWITCH. ANY ATTEMPT BY THE OPERATOR TO LEAVE THE SEAT WITH THE ENGINE RUNNING AND THE ATTACHMENT CLUTCH ENGAGED WILL SHUT OFF THE ENGINE.

### CAUTION TO AVOID INJURY

1. Read owner's manual.
2. Know the location and function of all controls.
3. Keep guards, safety shields and switches in place and working.
4. Remove objects that can be thrown by blades.
5. Do not mow when children and others are around.
6. Never carry children or passengers.
7. Always look behind machine before backing.
8. Do not mow where machine can tip or slip.
9. If machine stops going uphill, stop blade and back slowly down.
10. Be sure blades and engine have stopped before placing hands or feet near the blades.
11. Remove key when leaving machine.

**MAKE SURE PARKING BRAKE WILL HOLD TRACTOR SECURE.**



**NEVER PLACE YOUR HANDS OR FEET IN OR UNDER ANY POWERED ATTACHMENT OR NEAR ANY MOVING PART WHILE TRACTOR OR ANY POWERED ATTACHMENT IS RUNNING.**

NOTE: ALWAYS OPERATE ENGINE AT FULL THROTTLE WHEN MOWING TO ASSURE BETTER MOWING PERFORMANCE AND PROPER DISCHARGE OF CUT MATERIAL. REGULATE GROUND SPEED BY SELECTING A LOW ENOUGH GEAR (TABLE 1) TO GIVE THE MOWER CUTTING PERFORMANCE PLUS QUALITY OF CUT DESIRED.



**DO NOT OPERATE THE MOWER WITHOUT EITHER THE ENTIRE GRASS CATCHER, ON MOWERS SO EQUIPPED, OR THE DEFLECTOR SHIELD IN PLACE.**


- a. Select desired height of cut position using height adjustment knob (Fig. 17).
- b. Raise lift lever and place attachment clutch lever in disengaged position.
- c. Push clutch/brake pedal down firmly (Fig. 16).
- d. Start engine (page 13).
- e. With engine running and warm place throttle control midway between "S" (slow) and "F" (fast) position.
- f. Engage mower with the attachment clutch lever. NOTE: "ENGAGE" OR "DISENGAGE" MOWER BLADE CLUTCH LEVER SLOWLY.
- g. Move gear shift lever to desired gear.
- h. Lower mower into cutting position using attachment lift lever.
- i. Release clutch/brake pedal to start movement (Fig. 16).
- j. Move throttle control to "F" (Fast) position.

NOTE: SELECT A GROUND SPEED THAT WILL SUIT THE TERRAIN, QUALITY OF CUT AND ATTACHMENT BEING USED (TABLE 1).

**CAUTION:** NEVER RUN THE ENGINE WITHOUT AIR-INTAKE DUCT INSTALLED (FIG. 4). MAKE SURE BOTTOM LIP OF AIR INTAKE DUCT SITS BETWEEN BATTERY AND LIP OF BATTERY TRAY.


#### 4. Mowing Tips

**NOTE:** TIRE CHAINS CANNOT BE USED WITH THE MOWER HOUSING ATTACHED.


 **READ THE "SAFETY RULES" CAREFULLY BEFORE OPERATING YOUR MOWER. REFER TO PAGE 2.**

- Use the runner on the R.H. side as a guide; the blade cuts approximately an inch outside the runner (Fig. 18).
- Drive so that clippings are discharged onto the area that has been cut. Have the cut area to the right of the machine. This will result in a more even distribution of clippings and more uniform cutting.
- When mowing large areas (Fig. 19), start by turning to the right so that the clippings will discharge away from shrubs, fences, driveways, etc. After one or two rounds, mow in the opposite direction making left hand turns until finished.
- If grass is extremely tall, it should be mowed twice. The first time cut relatively high; the second time to the desired height.
- The left hand side of mower should be used for trimming.
- Do not mow tall, dry grass over 6 inches tall. It is a fire hazard.

#### 5. Operating The Tractor On Hills

 **DO NOT DRIVE UP OR DOWN HILLS WITH SLOPES GREATER THAN 15° AND DO NOT DRIVE ACROSS ANY SLOPE. REFER TO PAGE 51.**

- Move gear shift lever to "1ST" gear before starting up or down hills.
- AVOID STOPPING OR SHIFTING ON HILLS.
- If slowing is necessary, move throttle control lever to slower position.

 **LEAVE ENOUGH ROOM WHEN STOPPING AND STARTING TO ALLOW SLIGHT TRACTOR ROLL DOWNHILL AS CLUTCH/ BRAKE PEDAL MOVES THROUGH CLUTCH POSITION.**

- If stopping is absolutely necessary push clutch/brake pedal quickly to brake position and engage parking brake.
- To restart tractor movement, make sure tractor is in the lowest speed range ("1ST" Gear) and that you have allowed room to roll slightly downhill. Depress clutch/brake full. Disengage parking brake and release clutch/brake pedal SLOWLY to start tractor movement.

# OPERATION

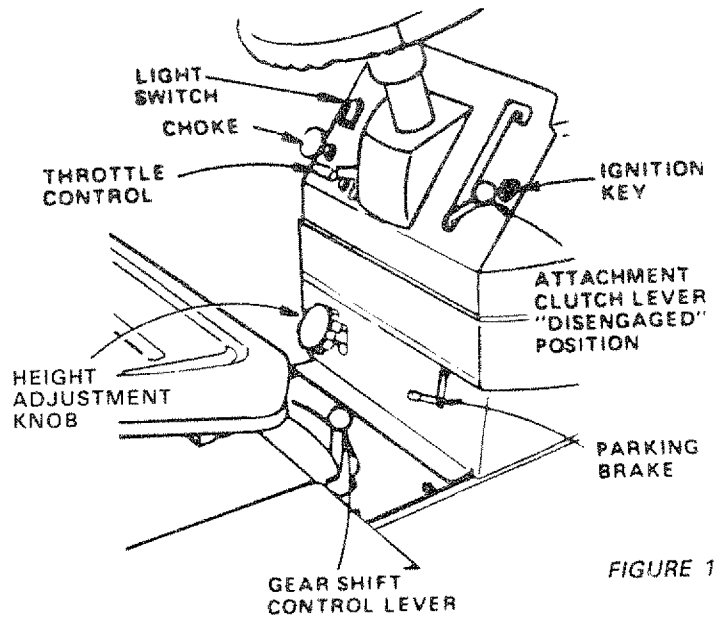


FIGURE 17

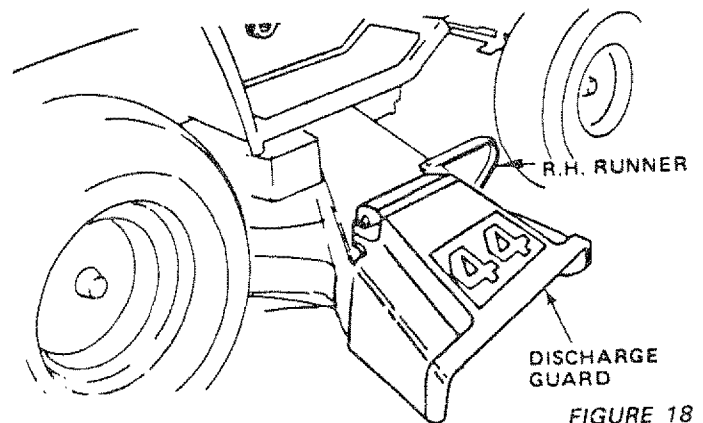


FIGURE 18

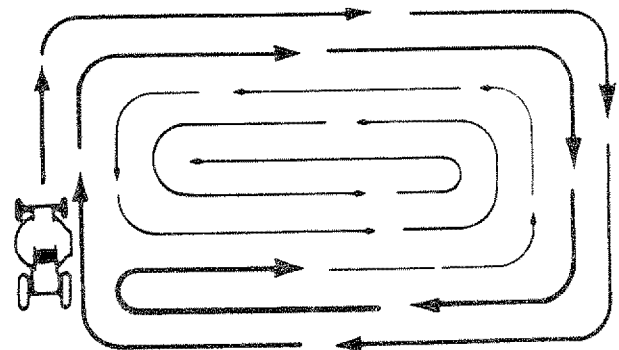



FIGURE 19

- Make all turns gradually.

#### 6. Flip-Up Discharge Guard

Your mower has a flip-up discharge guard (Fig. 18) for door or gate clearance when held in raised position.

 **MAKE SURE ATTACHMENT CLUTCH LEVER IS IN "DISENGAGED" POSITION AND BLADES HAVE STOPPED BEFORE RAISING DISCHARGE GUARD (DEFLECTOR). NEVER OPERATE MOWER WITHOUT DISCHARGE GUARD IN OPERATING POSITION.**

# MAINTENANCE

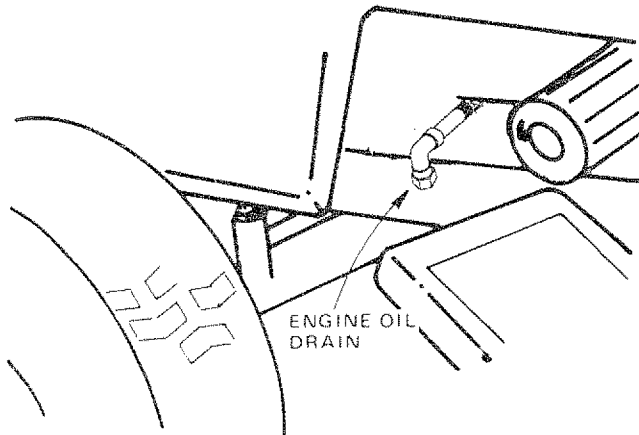


FIGURE 20

To keep your tractor running better, longer, perform necessary service using the following maintenance schedule:

BEFORE MAKING ANY INSPECTION, ADJUSTMENT OR REPAIR:

1. PUSH TRACTOR CLUTCH/BRAKE PEDAL COMPLETELY INTO BRAKE POSITION.
2. MOVE GEAR SHIFT LEVER TO "NEUTRAL" POSITION.
3. PLACE PARKING BRAKE IN "ENGAGED" POSITION. REMOVE FOOT FROM PEDAL.
4. PLACE ATTACHMENT CLUTCH LEVER IN "DISENGAGED" POSITION.
5. TURN IGNITION KEY TO "OFF" POSITION.
6. MAKE ABSOLUTELY SURE THE BLADES AND ALL MOVING PARTS HAVE COMPLETELY STOPPED.
7. REMOVE THE IGNITION KEY.
8. DISCONNECT THE SPARK PLUG WIRES FROM THE SPARK PLUGS AND KEEP AWAY FROM THE SPARK PLUGS TO PREVENT INJURY FROM ACCIDENTAL STARTING. BE CAREFUL TOO AVOID TOUCHING HOT ENGINE OR MUFFLER COMPONENTS.



## With Every Mowing

1. Make sure all nuts on bolts are tight and cotter pins and retainer springs are secure.
2. Observe all safety precautions.
3. Keep tractor well lubricated (refer to page 20).

## First 2 Hours (Two Mowings)

### 1. Change Engine Oil

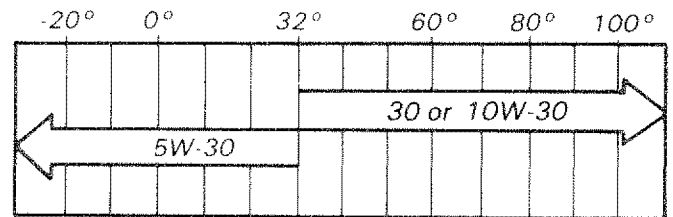
Changing oil after the first two hours (or two mowings) will help eliminate break-in residue which might be damaging to your engine.

NOTE: BE CAREFUL NOT TO ALLOW DIRT TO ENTER THE ENGINE WHEN CHANGING OIL.

- a. Drain oil with engine warm.
- b. Loosen oil drain wing nut (Fig. 20) and remove dipstick.
- c. Catch oil in a suitable container.
- d. Tighten oil drain wing nut.
- e. Refill engine oil (See below). Refill capacity is 1-1/2 quarts. NOTE: DO NOT OVERFILL.
- f. Replace dipstick.

## Recommended SAE Viscosity Grades

Determine temperature range expected before next oil change. All oil must meet A.P.I. service classification SD, SE or SF.



Capacity is 1-1/2 quarts. NOTE: DO NOT OVERFILL. Dipstick assembly must be securely tightened into tube at all times when engine is operating.

CAUTION: TO AVOID DAMAGE TO THE STARTING SYSTEM, USE SAE 5W30 OIL WHEN THE TEMPERATURE FALLS BELOW 32°.

## Every 5 Hours (Five Mowings)

### 1. Check Engine Oil Level



DO NOT CHECK ENGINE OIL LEVEL WITH ENGINE RUNNING.

Several minutes after stopping engine, check engine oil level with tractor on level ground. Wipe dipstick (Fig. 21) clean, screw it down tight for a few seconds, remove and read oil level. If necessary, add oil until "FULL" mark is reached. (See chart above). NOTE: DO NOT OVERFILL.



## Every 25 Hours (Twice a Mowing Season)

# MAINTENANCE

### 1. Brake Adjustment

This tractor is equipped with an adjustable brake system mounted on the right side of the transaxle (Fig. 22).



**IF TRACTOR REQUIRES MORE THAN SIX FEET STOPPING DISTANCE IN HIGHEST GEAR, THEN BRAKE MUST BE ADJUSTED.**

- Depress clutch/brake pedal and engage parking brake.
- Measure distance between brake operating arm and nut "A" on brake rod.
- If distance is other than 1-1/2", loosen jam nut (Fig. 22) and turn nut "A" until distance becomes 1-1/2". Retighten jam nut against Nut "A".

Road test tractor for proper stopping distance as stated above. Readjust if necessary.

### 2. Tire Care

Maintain tire pressure in front at 14 PSI and rear tires at 12 PSI.

#### Blade Sharpening

For best results mower blades must be kept sharp. The blades can be sharpened with a few strokes of a file or on a grinding wheel. We suggest they be sharpened after every 25 hours of mowing. Do not attempt to sharpen while on mower. If you mow in sandy soil check the blades after each two mowings. The sand wears the blades away rapidly.

- When grinding, care should be taken to maintain blade balance and the blade should be checked for proper balance before reinstallation on mower. Unbalanced or bent blade will cause excessive vibration when running, and eventual damage to mower or engine. Replace bent or damaged blades.
- To check blade balance, drive a nail into a beam or wall. Leave about one inch of the straight nail exposed. Place center hole of clean blade over the head of the nail (Fig. 23). NOTE: CENTER HOLE OF BLADE ON NAIL. IF BLADE IS PROPERLY BALANCED, BLADE SHOULD REMAIN IN POSITION SHOWN IN FIG. 23. IF EITHER END OF THE BLADE MOVES DOWNWARD, BLADE IS NOT BALANCED. SHARPEN THE HEAVY END UNTIL BLADE IS BALANCED.

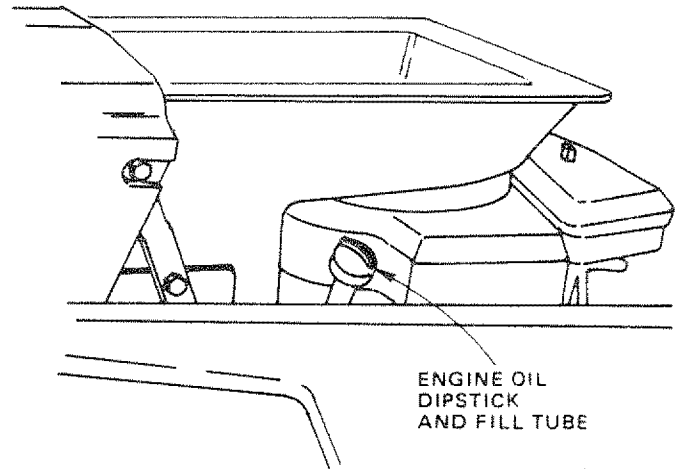


FIGURE 21

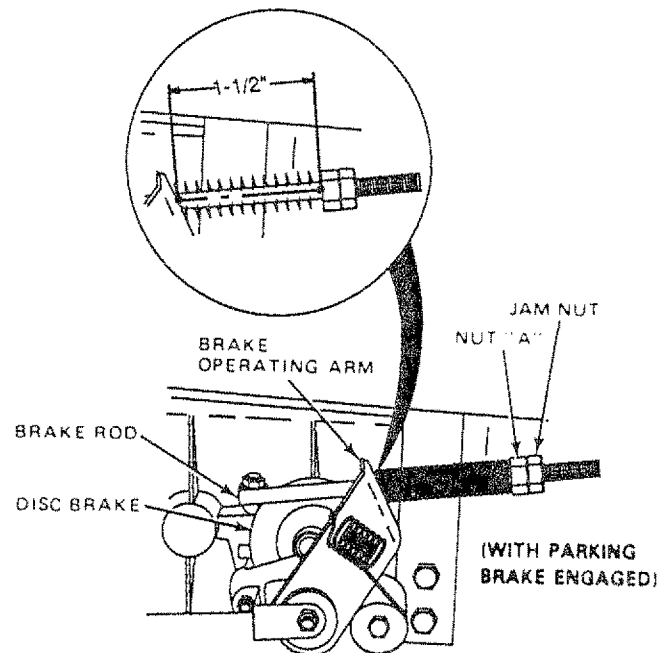


FIGURE 22

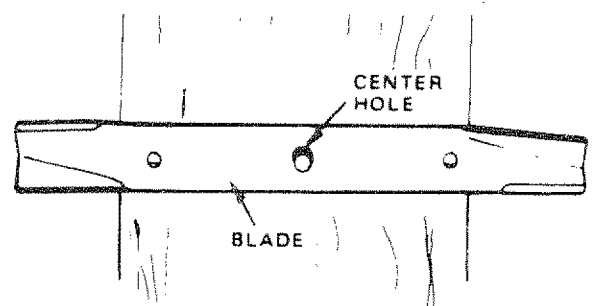


FIGURE 23

# MAINTENANCE

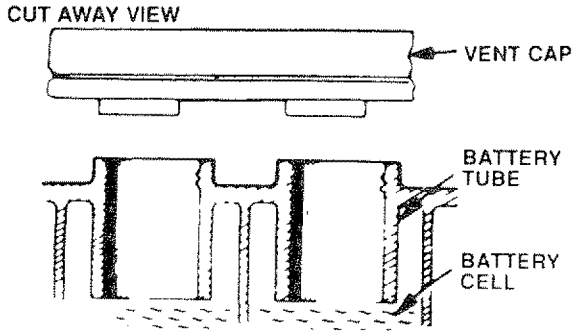


FIGURE 24

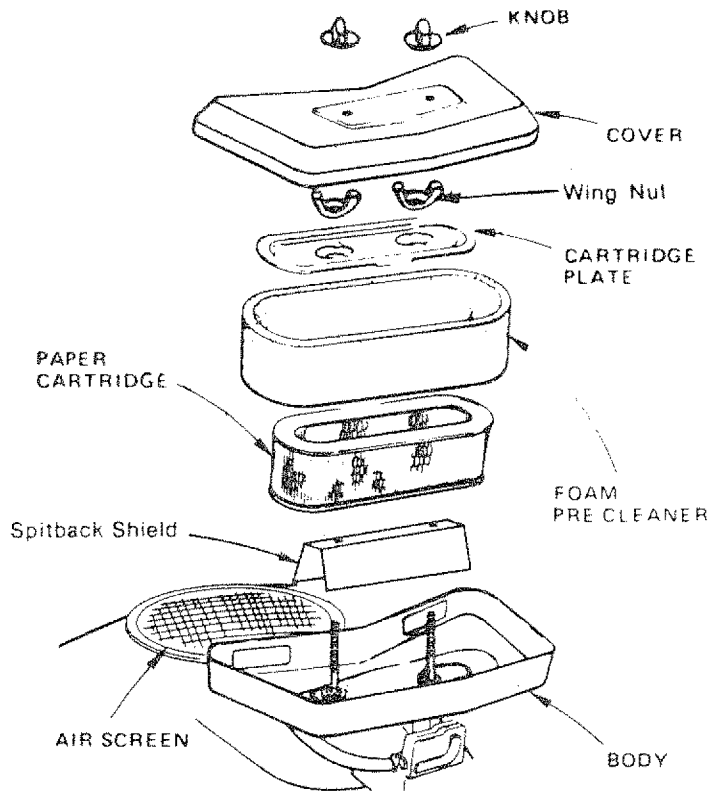


FIGURE 25

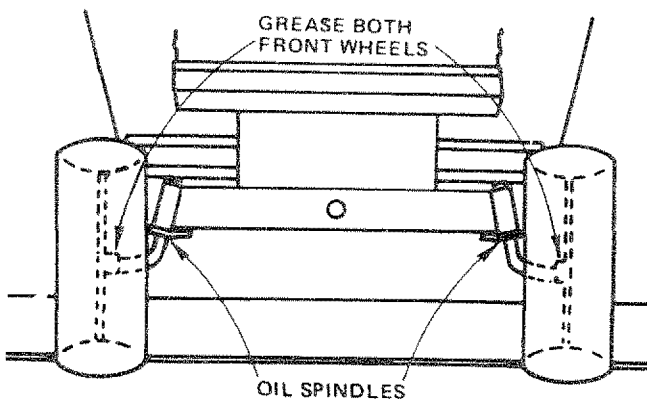


FIGURE 26

## Every 50 Hours (Once a Mowing Season)

(Operating in dusty conditions may require more frequent servicing.)

### 1. Check Battery

- Battery acid level in each battery cell should be even with bottoms of tubes in cells (Fig. 24). Add **ONLY** distilled water if necessary. **NOTE: DO NOT OVERFILL.**
- Keep battery and terminals clean.
- Keep battery bolts tight.
- Keep vent caps tight and small vent holes in caps open.
- Recharge at 6 amperes for 1 hour if necessary.

### 2. Clean Battery and Terminals

Corrosion and dirt on the battery and terminals cause the battery to "leak" power.



**LEAD-ACID BATTERIES GENERATE EXPLOSIVE GASES. KEEP SPARKS, FLAME AND SMOKING MATERIALS AWAY FROM BATTERIES. ALWAYS SHIELD YOUR EYES AROUND BATTERIES.**

- Remove terminal guard.
- Disconnect **BLACK** battery cable then **RED** battery cable and remove battery from tractor.
- Wash battery with four tablespoons of baking soda to one gallon of water. **NOTE: BE CAREFUL NOT TO GET THE SODA SOLUTION INTO THE CELLS.**
- Rinse the battery with plain water, dry and reinstall on tractor.
- Clean terminals and battery cable ends with wire brush until bright.
- Replace battery cables, connecting **RED** battery cable to positive terminal first, then **BLACK** battery cable to negative terminal. Coat terminal connections with Vaseline.
- Replace terminal guard.

### 3. Change Engine Oil

The best time to change engine oil is at the end of a day's operation when all dirt and foreign materials are suspended in the hot oil. See chart, page 16.

**(OPERATING IN DUSTY CONDITIONS MAY REQUIRE MORE FREQUENT SERVICING)**

### 4. Clean Air Cleaner Foam Pre-Cleaner (Fig. 25)

- Remove Knob and cover.
- Remove foam pre-cleaner element by sliding it off of the paper cartridge.
- Wash foam pre-cleaner in liquid detergent and water.
- Wrap foam pre-cleaner in cloth and squeeze dry.
- Lightly coat foam pre-cleaner with engine oil (Do not saturate). Squeeze in rag or towel to remove excess oil.
- Install foam pre-cleaner over paper cartridge. Reassemble cover and screw down tight.

# MAINTENANCE

## Every 100 Hours



DISCONNECT SPARK PLUG WIRES TO PREVENT ACCIDENTAL STARTING BEFORE MAKING ANY INSPECTION, ADJUSTMENT OR REPAIR (EXCEPT CARBURETOR). BE CAREFUL TO AVOID TOUCHING HOT ENGINE OR MUFFLER COMPONENTS.

### 1. Replace Spark Plugs

Replace spark plugs at the beginning of each mowing season or every 100 hours, whichever comes first. Gap should be set at 0.030 inch (Fig 28).

### 2. Replace Air Cleaner Paper Cartridge

Refer to page 18.

### 3. Replace In-Line Fuel Filter

If fuel filter is clogged, obstructing fuel flow to carburetor, replacement is required.

- With engine cool, remove filter and plug fuel line sections as removed from both ends of fuel filter (Fig. 29).
- Place new fuel filter in position in fuel line.



BE SURE THERE ARE NO FUEL LINE LEAKS AND THAT FUEL LINE IS IN PROPER POSITION IN HOSE CLAMPS.

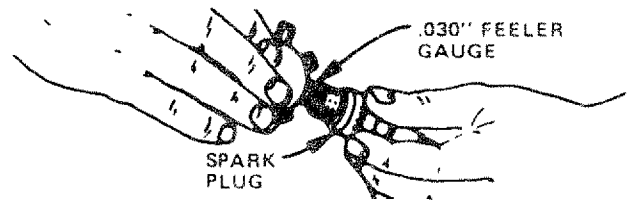


FIGURE 28

## 5. Lubricate Steering And Front Wheels

There is a grease fitting on each front wheel. Use a grease gun to give each grease fitting two shots of extreme pressure lubricating grease Amdex No. 1 or equivalent (available through your Sears Service Center). Use 30 weight oil to lubricate front spindles (Fig. 26).

## 6. Oil Pivot Points

Place several drops of SAE 30 oil at points where parts move against each other, especially:

- Front wheel spindles.
- Hood hinges.
- Foot pedal shaft (both ends).
- Lift shaft (both ends).

SEE LUBRICATION CHART, PAGE 20.

## 7. Clean Air Screen

Air screen (Fig. 25) must allow free-flow of air to prevent engine damage from overheating. Clean with a wire brush, compressed air or water pressure to remove dirt, chaff, stubborn dried gum and fibers.



ALWAYS WEAR SAFETY GLASSES WHEN USING COMPRESSED AIR.

DO NOT TOUCH HOT MUFFLER, CYLINDER OR FINS AS CONTACT MAY CAUSE BURNS.

## 8. Check Muffler

Inspect and replace corroded muffler as it could create a fire hazard and/or damage.

## 9. Clean Engine Cooling Fins

Remove any dust, dirt or oil from engine cooling fins to prevent engine damage from overheating. Air guide covers must be removed (Fig. 27). Remove eight 7/16" bolts and six 5/16" bolts to remove side and top covers. See hood removal, page 23.



DO NOT TOUCH HOT MUFFLER, CYLINDER OR FINS AS CONTACT MAY CAUSE BURNS.

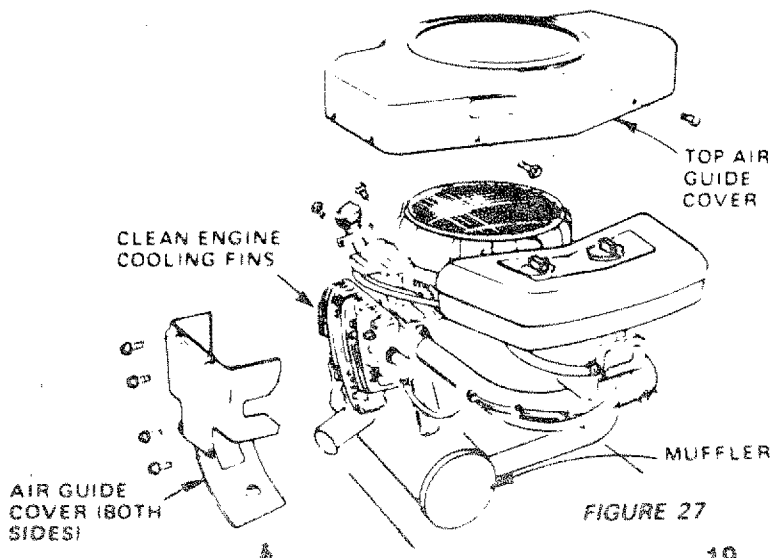


FIGURE 27

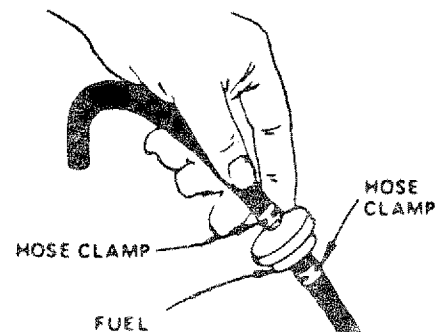
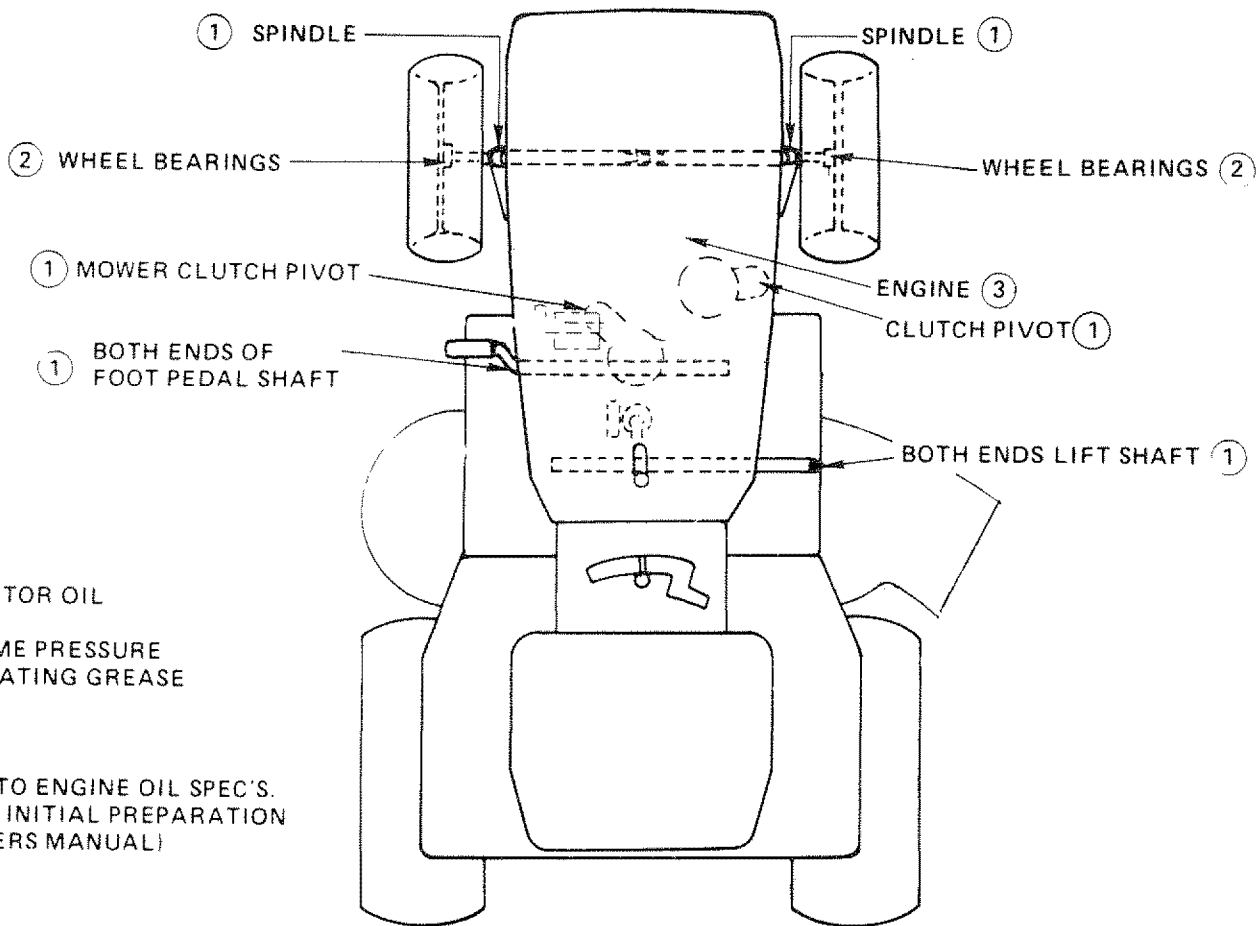


FIGURE 29

# MAINTENANCE

## Lubrication Chart



① SAE MOTOR OIL

② EXTREME PRESSURE LUBRICATING GREASE

③ REFER TO ENGINE OIL SPEC'S. (UNDER INITIAL PREPARATION IN OWNERS MANUAL)

# REPAIR & ADJUSTMENT

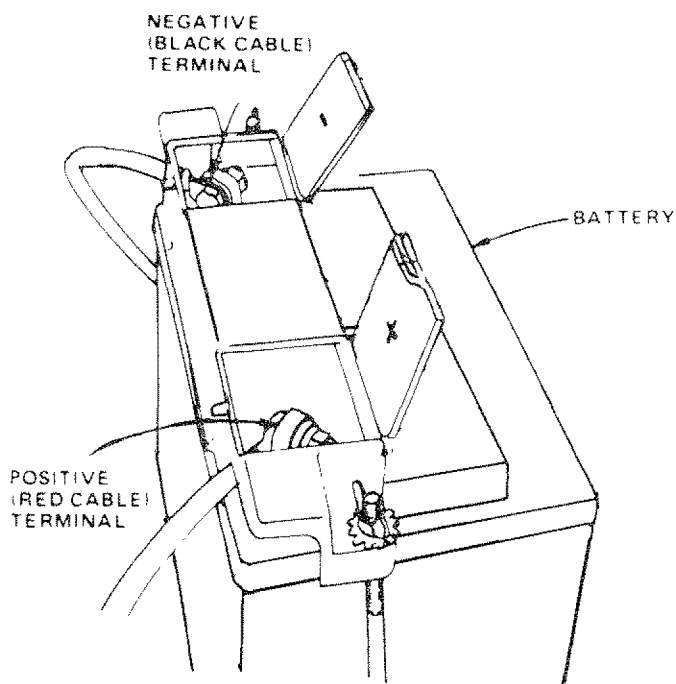


FIGURE 30

FOR ANY ADJUSTMENTS, INSPECTION OR MAINTENANCE:

1. PUSH TRACTOR CLUTCH/BRAKE PEDAL COMPLETELY INTO BRAKE POSITION.
2. MOVE GEAR SHIFT LEVER TO "NEUTRAL" POSITION.
3. PLACE PARKING BRAKE IN "ENGAGED POSITION". REMOVE FOOT FROM PEDAL.
4. PLACE ATTACHMENT CLUTCH LEVER IN "DISENGAGED" POSITION.
5. TURN IGNITION KEY TO "OFF" POSITION.
6. MAKE ABSOLUTELY SURE THE BLADES AND ALL MOVING PARTS HAVE COMPLETELY STOPPED.
7. REMOVE THE IGNITION KEY.
8. DISCONNECT THE SPARK PLUG WIRES FROM THE SPARK PLUGS AND KEEP AWAY FROM THE SPARK PLUGS TO PREVENT INJURY FROM ACCIDENTAL STARTING. BE CAREFUL TOO AVOID TOUCHING HOT ENGINE OR MUFFLER COMPONENTS.



# REPAIR & ADJUSTMENT

## 1. Starting your Tractor With a Weak Battery

If your battery is too weak to start the engine, it should be recharged. If "jumper cables" are used for emergency starting, follow this procedure:

NOTE: YOUR TRACTOR IS EQUIPPED WITH A 12 VOLT NEGATIVE GROUND SYSTEM. THE OTHER VEHICLE MUST ALSO BE A 12 VOLT NEGATIVE GROUND SYSTEM.

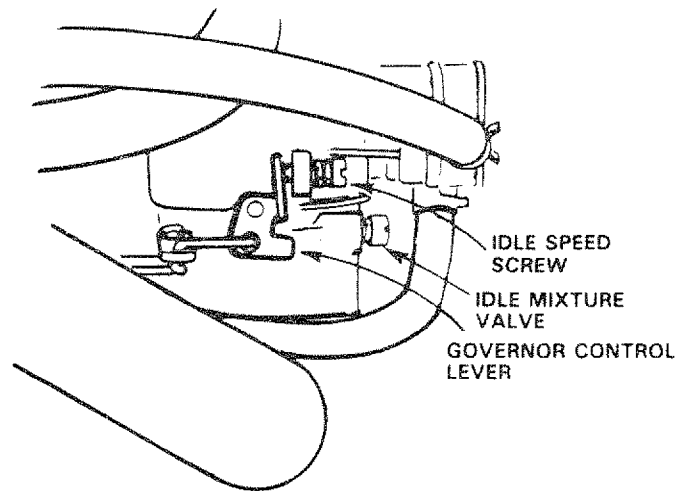


FIGURE 31



**LEAD-ACID BATTERIES GENERATE EXPLOSIVE GASES. KEEP SPARKS, FLAME AND SMOKING MATERIALS AWAY FROM BATTERIES. ALWAYS WEAR EYE PROTECTION WHEN AROUND BATTERIES.**

- Connect each end of the RED cable to the POSITIVE (+) terminals of each battery (taking care not to short against chassis) (Fig. 30).
- Connect one end of the BLACK cable to the NEGATIVE (-) terminals of fully charged battery.
- Connect the other end of the cable to the L.H. side panel bolt (Fig. 16). NOTE: KEEP AWAY FROM GAS TANK AND BATTERY.
- Disconnect cables in reverse order:
  - L.H. Side Panel Bolt (Fig 16).
  - Negative terminals of fully charged battery.
  - Positive terminals.



**DO NOT USE YOUR TRACTOR BATTERY TO START OTHER VEHICLES.**

## 2. Throttle Control Cable Adjustment

Never attempt to change maximum engine speed. This is preset at the factory (3600 ± 100 RPM) and should only be changed by a qualified service technician who has the necessary equipment.

- Remove hood (page 23).
- Loosen casing clamp screw until throttle cable is free to move.
- Move throttle control (on the dashboard) to "FAST" position.
- Pull throttle cable tight (until swivel below carburetor is against side of quarter circle). Retighten casing clamp screw.



**REFER TO "STARTING THE ENGINE," PAGE 13.**

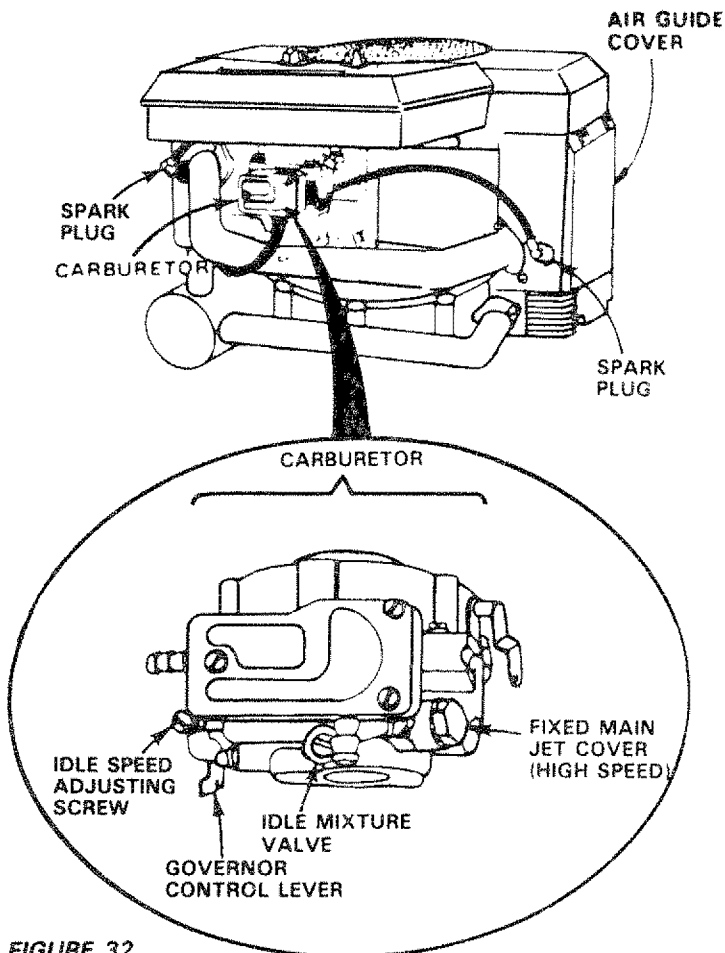


FIGURE 32

# REPAIR & ADJUSTMENT

## 3. Carburetor Adjustment

NOTE: ADJUST THROTTLE CONTROL CABLE BEFORE MAKING ANY ADJUSTMENT TO CARBURETOR. AIR CLEANER MUST BE ASSEMBLED TO CARBURETOR WHEN RUNNING ENGINE.

Minor carburetor adjustments may be required to compensate for differences in fuel, temperature or altitude. Adjust the carburetor fuel mixture as follows:

- Gently turn idle mixture valve clockwise (↻) (Fig. 32) until it just closes and then counterclockwise (↺) 1-1/2 turns.  
CAUTION: Valve may be damaged if turned in too far.
- Start engine and allow to warm for five minutes. Make final adjustments with engine running and choke pushed in.
- Move throttle control lever (on dashboard) to "SLOW" position.
- Hold governor control lever against idle speed screw, and adjust idle speed screw to obtain 1200 to 1400 RPM (Fig. 31).
- While still holding the governor control lever against idle speed screw, turn idle mixture valve slowly clockwise (↻) (lean mixture) until speed just starts to slow.
- Turn idle mixture valve back to the midpoint between rich and lean.
- Adjust the idle speed screw to obtain 900 to 1200 RPM. Release governor control lever.
- Move throttle control (on the dashboard) to "FAST." If engine hesitates or dies, turn idle mixture valve approximately 1/8 turn counterclockwise (↺) until engine will accelerate as throttle control is moved from "SLOW" to "FAST."

## 4. Motion Drive Belt Replacement

The tractor drive belt may be replaced without tools. Park the tractor on level area. Engage parking brake.

NOTE: BELT INSTALLATION DECAL UNDER LEFT FOOTREST.

- Remove mower (page 23).
- Remove two retainer springs from belt guide bracket below transaxle pulley. Remove bracket (Fig. 33).
- Swing belt guides away from belt, toward rear of tractor (Fig. 33).
- Roll belt over top of transaxle pulley.
- Roll belt over engine pulley and off idler (Fig. 34).
- Release parking brake. Pull belt as far as possible over top of clutch pulley.
- Reset parking brake. Pull belt over top of clutch pulley (Fig. 34).
- Pull belt out through shift gate to remove from tractor (Fig. 35).

Install belt by reversing above procedure.

NOTE: REPLACE ONLY WITH BELT LISTED IN MANUAL.

## 5. Fuse Replacement

Replace with 30 amp automotive-type plug-in fuse. Fuses can be purchased at all Sears Service Centers and most retail stores. Location of fuse is directly behind dash.

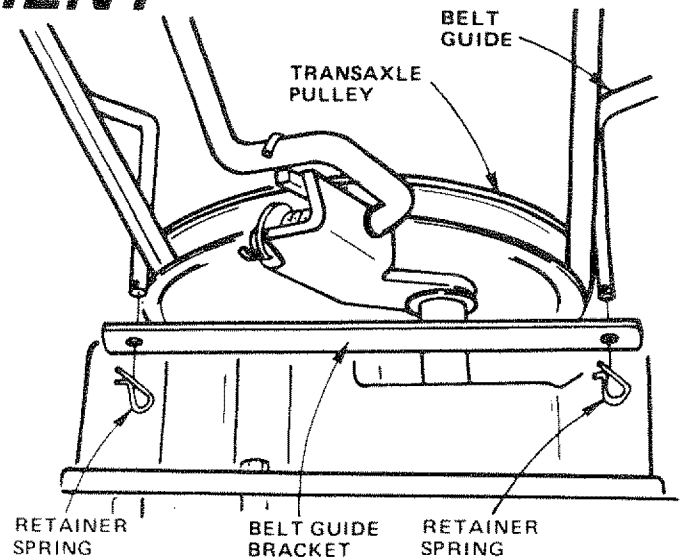
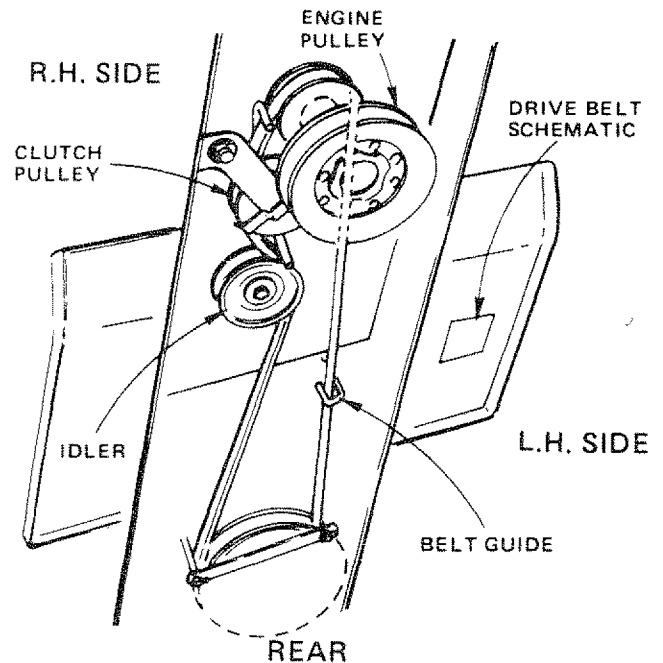


FIGURE 33



VIEWED FROM BOTTOM OF TRACTOR

FIGURE 34

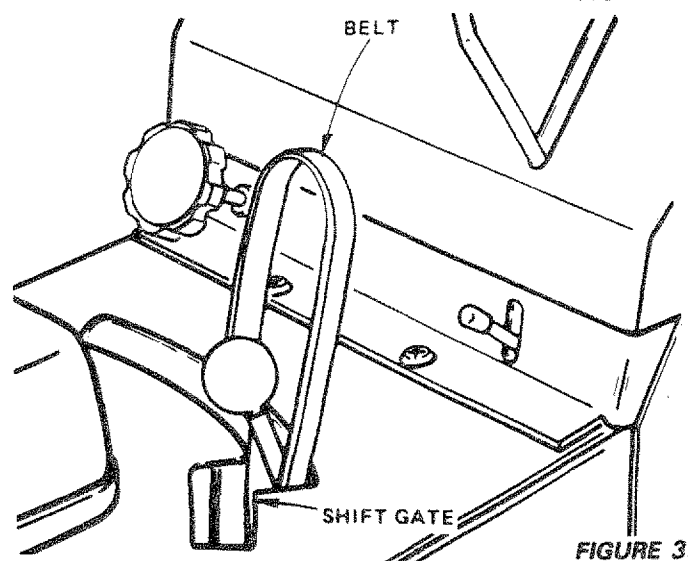


FIGURE 35

# REPAIR & ADJUSTMENT

## 6. Hood Removal

- Lift hood. Disconnect headlight wiring connection (Fig. 37).
- Unscrew one screw at rear of each side panel (Fig. 36).
- Pivot hood and side panel forward and lift off tractor (Fig. 37).
- To replace, reverse the above procedure.

## 7. Mower Removal

- Remove mower belt per instructions under "Mower Drive Belt Removal" through step (d).
- Remove retainer spring from clutch rod; pull clutch rod out of clutch bracket (Fig. 38).
- Pull retainer springs out of rear suspension trunnions. Remove rear suspension trunnions from lift brackets (Fig. 38).
- Pull retainer spring out of rear hinge pin. Remove rear hinge pin.
- Pull retainer spring out of front hinge pin. Remove front hinge pin (Fig. 38).
- Use lift lever to raise suspension arms. Slide mower out from under tractor.

NOTE: IF AN ATTACHMENT OTHER THAN THE MOWER DECK IS TO BE MOUNTED ON THE TRACTOR, THE L.H. AND R.H. SUSPENSION ARMS (FIG. 38) SHOULD BE REMOVED FROM TRACTOR.

## 8. Level Mower Housing

Adjust the mower while tractor is parked on level ground or driveway. Make sure tire pressures are 14 PSI in front tires and 12 PSI in rear tires. If tires are over or under inflated, you will not properly adjust your mower.

### Side-to-Side Mower Adjustment

- Depress lift lever plunger and use lift lever to raise mower to maximum cutting height.
- Measure height from bottom of curl to ground level at front of mower. Distance "A" should be the same (Fig. 39).
- If distance "A" needs to be changed, snap out access hole cover on L.H. side above footrest. Use 11/16" wrench on nuts "B" and "C" at side-to-side adjustment trunnion (Fig. 40).
- To raise left side of mower, loosen nut "B" and tighten nut "C".
- To lower left side of mower, loosen nut "C" and tighten nut "B".

NOTE: ONE ROTATION OF ADJUSTMENT NUTS IS EQUIVALENT TO APPROXIMATELY 3/16" HEIGHT CHANGE.

- Be sure all nuts are securely tightened.

### Front-To-Rear Mower Adjustment

- To obtain the best cutting results, your mower housing should be adjusted so the front and rear flange distance "D" (Fig. 41) is 1/2" lower in front when the mower is positioned in the highest cutting position. NOTE: MEASURE DISTANCE "D" FROM GROUND LEVEL TO BOTTOM OF CURL ON RIGHT REAR FLANGE AND COMPARE TO DISTANCE "D" AT RIGHT FRONT FLANGE.

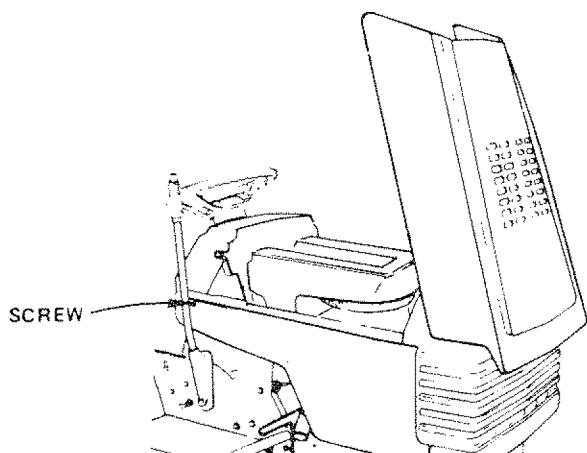


FIGURE 36

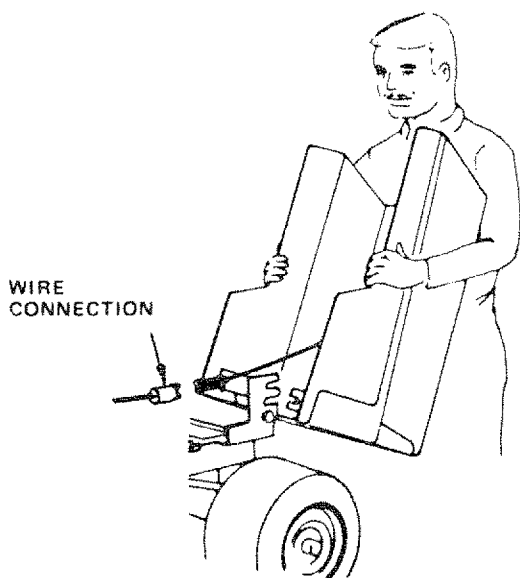


FIGURE 37

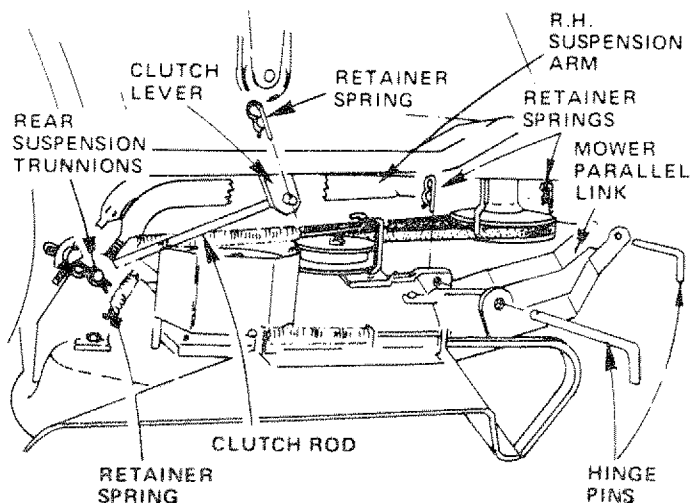


FIGURE 38

# REPAIR & ADJUSTMENTS

- b. To raise rear of mower, loosen nut "E" on both rear suspension arms. Screw both nuts "F" up an EQUAL NUMBER OF TURNS (Fig. 42).
- c. When distance "D" is 1/2" lower at front than rear, tighten nuts "E".
- d. To lower rear of mower, loosen nut "F" on both rear suspension arms an EQUAL NUMBER OF TURNS (Fig. 42).
- e. When distance "D" is 1/2" lower at front than rear, retighten nuts "E".

NOTE: WHEN ADJUSTING REAR SUSPENSION TRUNNIONS, ALWAYS ADJUST BOTH EQUALLY SO MOWER WILL STAY LEVEL.

## 9. Blade Replacement

Raise mower to highest position to permit access to blades or remove mower.

- a. Remove bolt, lockwasher and washer (Fig. 43) (turn counterclockwise) (↺).
- b. Remove and discard old blade.
- c. Clean top and bottom of mower housing.
- d. Place new blade between flanges, (Install with sharp edge down), and secure with washer, lockwasher and bolt previously removed.

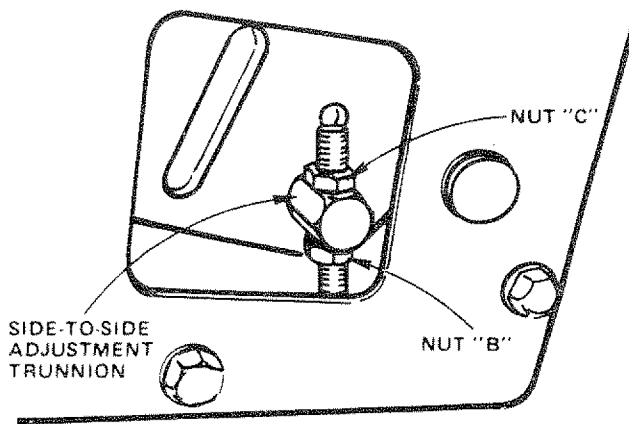


FIGURE 40

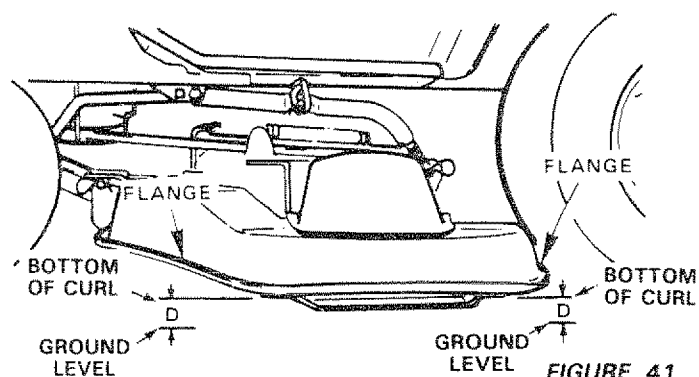
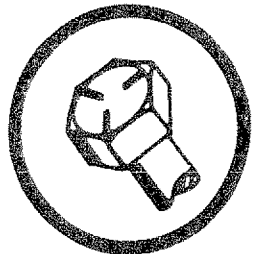


FIGURE 41

**ALWAYS USE GRADE 5 HEAT TREATED BOLTS TO ATTACH BLADES. CHECK BOLTS IN BLADES OCCASIONALLY TO MAKE SURE BOLTS ARE TIGHT. TORQUE BOLTS 30 - 35 FT-LBS.**



A GRADE 5 HEAT TREATED BOLT CAN BE IDENTIFIED BY THREE LINES ON THE BOLT HEAD AS SHOWN AT LEFT.

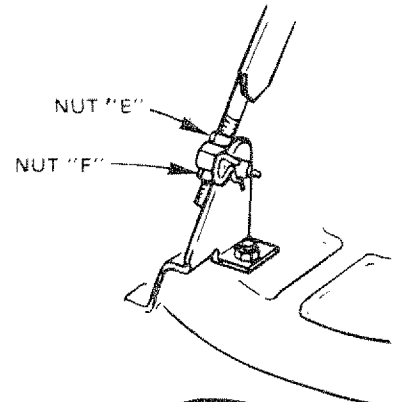


FIGURE 42

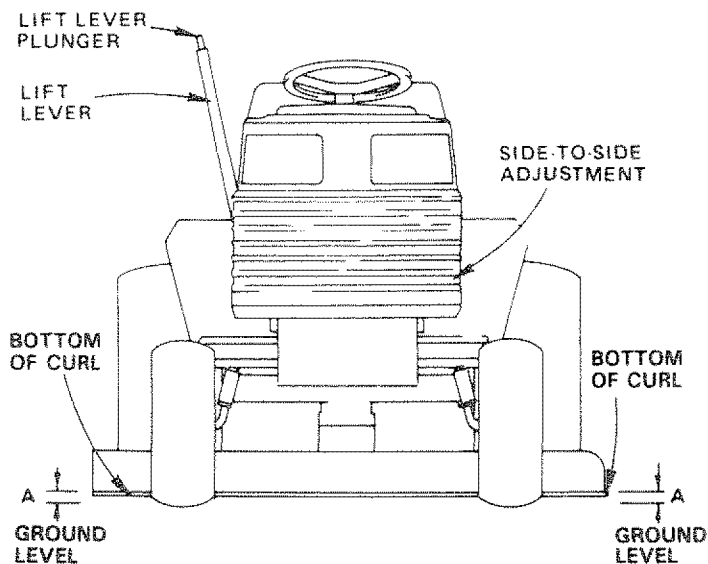


FIGURE 39

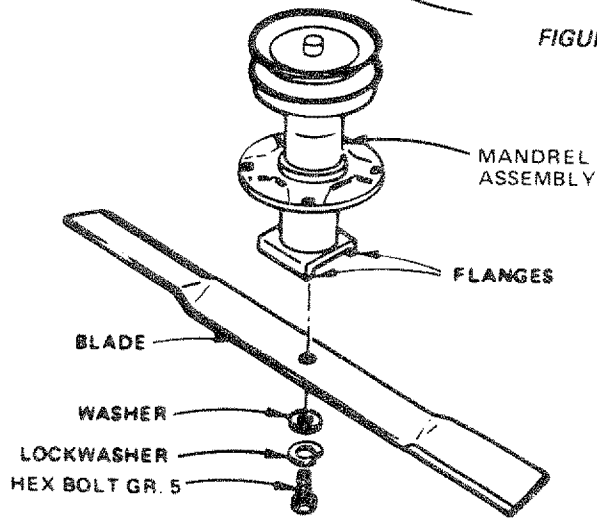


FIGURE 43



# REPAIR & ADJUSTMENT

## 10. Rear Wheel Replacement

Coat axle with grease to prevent corrosion or rust accumulation and eventual seizing of wheel hub to axle shaft.



WHEN REPLACING WHEELS ON THE TRACTOR THEY MUST BE MOUNTED WITH THE LONG HUB SIDE TOWARD THE CENTER OF THE TRACTOR. INCORRECT INSTALLATION COULD AFFECT LATERAL STABILITY. (SEE FIG. 46).

## 11. Tire Care

- Maintain tire pressure of 14 PSI in front tires and 12 PSI in rear tires.
- Keep tires free of gasoline, oil or insect control chemicals which can harm rubber.
- Avoid stumps, stones, deep ruts and other hazards that may cause tire damage.
- Removing front wheel for tire repair (Fig. 44):
  - Block up front axle securely.
  - Remove hub cap, klip ring and washer to allow wheel removal.
  - Repair tire and reassemble. Replace washer and snap klip ring securely in axle groove. Replace hub cap.
- Removing rear wheel for tire repair (Fig. 45):
  - Block up rear axle securely.
  - Remove hub cap, E-ring and washer to allow wheel removal.
  - Repair tire and reassemble. While maintaining key position, replace washer and snap E-ring securely in axle groove. Replace hub cap.



WHEN MOUNTING TIRES, UNLESS BEADS ARE SEATED, OVER INFLATION CAN CAUSE AN EXPLOSION.

## 12. Storage

Remove mower from tractor for winter storage. When mower is to be stored for a period of time, clean it thoroughly, remove all dirt, grease, leaves, etc. Give blades and underside of housing a good coat of grease or rust preventative. Store in a clean dry area.

### A. Fuel System

IT IS IMPORTANT TO PREVENT GUM DEPOSITS FROM FORMING IN ESSENTIAL FUEL SYSTEM PARTS SUCH AS THE CARBURETOR, FUEL FILTER, FUEL HOSE, OR TANK DURING STORAGE. ALSO, EXPERIENCE INDICATES THAT ALCOHOL BLENDED FUELS (CALLED GASOHOL) OR USING ETHANOL OR METHANOL CAN ATTRACT MOISTURE WHICH LEADS TO SEPARATION AND FORMATION OF ACIDS DURING STORAGE. ACIDIC GAS CAN DAMAGE THE FUEL SYSTEM OF AN ENGINE WHILE IN STORAGE. TO AVOID ENGINE PROBLEMS, THE FUEL SYSTEM SHOULD BE EMPTIED BEFORE STORAGE FOR 30 DAYS OR LONGER.

### B. Engine Oil

Drain (with engine warm) and replace with clean engine oil. (See chart, page 16).

### C. Cylinders

- Remove spark plugs.
- Pour one ounce of oil through spark plug holes into cylinders.
- Turn ignition key to "START" position for a few seconds to distribute oil.
- Replace with new spark plugs.

### D. Battery

- Prior to storage, clean terminals and top of battery.
- After a period of time in storage, battery may require recharging.

### E. General Cleaning

Clean engine, battery, seat, finish, etc. of all foreign matter.

### F. Store in a Clean Dry Area

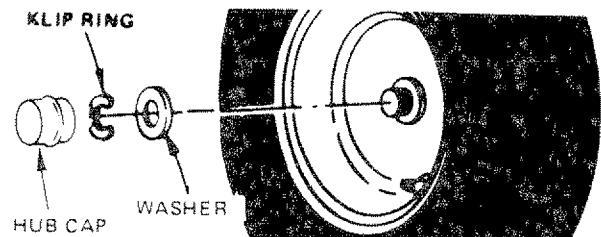


FIGURE 44

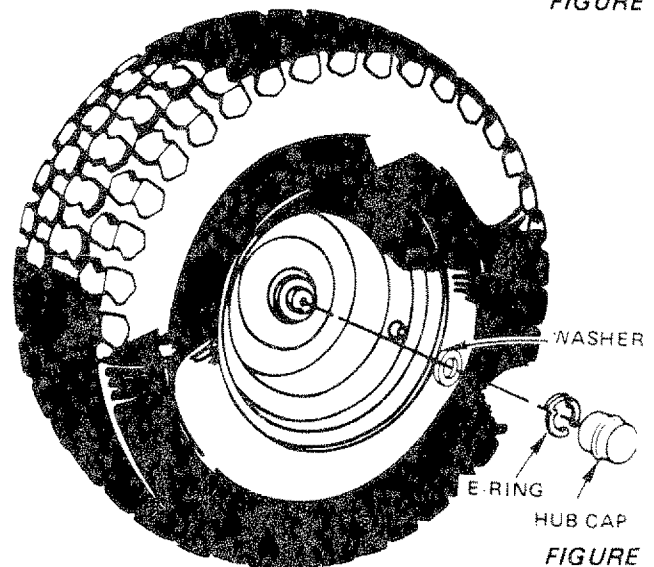


FIGURE 45

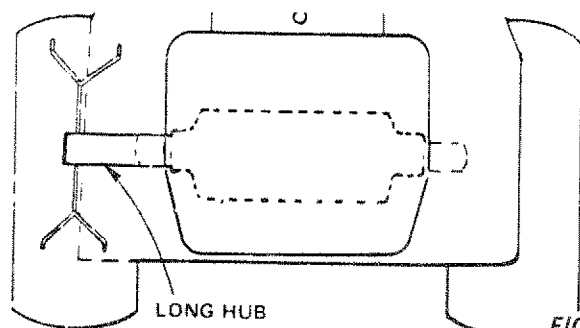


FIGURE 46

# TROUBLESHOOTING

PROBLEM	CAUSE / REMEDY (SEE INDEX)
<b>WILL NOT START</b>	<p><i>Fill Tank with Gasoline. Check Fuel Line and Carburetor (clean if necessary). Replace Fuel Filter. Use Fresh Fuel</i>  <i>Recharge or replace Battery</i>  <i>Check Wiring</i>  <i>Replace Spark Plug(s) and adjust gap</i>  <i>Drain and replace oil for proper temperature</i></p>
<b>WILL NOT TURN OVER</b>	<p><i>Push Clutch/Brake Pedal into brake position</i>  <i>Charge or replace Battery</i>  <i>Move Attachment Clutch Lever to "DISENGAGED" position</i>  <i>Replace Ignition Switch</i>  <i>Replace Interlock Switch(es)</i>  <i>Replace Solenoid or Starter</i>  <i>Replace Spark Plug(s)</i>  <i>Replace Fuse</i>  <i>Check all Wire Connections and "Ground" Points</i>  <i>Reattach Tiller Attachment Wire Loop</i></p>
<b>ENGINE CLICKS BUT WON'T START</b>	<p><i>Clean Battery Terminals</i>  <i>Replace Starter or Solenoid</i>  <i>Charge or Replace Battery</i>  <i>Check Wire Connections and "Ground" Points</i></p>
<b>HARD TO START</b>	<p><i>Place Throttle Control in "FAST" position and run starter several times to clear out gas</i>  <i>Remove Air Filter and clean</i>  <i>Replace Spark Plug(s) and adjust gap</i>  <i>Recharge or replace Battery</i>  <i>Check the Wiring</i>  <i>Drain Fuel Tank and Carburetor. Use Fresh Fuel.</i>  <i>Replace Fuel Filter</i>  <i>Make necessary adjustments to Carburetor</i>  <i>Major Engine Overhaul</i></p>
<b>ENGINE MISSES OR LACKS POWER</b>	<p><i>Shift to a lower gear or reduce load</i>  <i>Drain Gas Tank and Carburetor. Use Fresh Fuel</i>  <i>Remove and clean Air Cleaner</i>  <i>Make necessary carburetor adjustments</i>  <i>Clean Air Screen</i>  <i>Add or change oil</i>  <i>Replace Spark Plug(s) and adjust gap</i>  <i>Replace Fuel Filter</i>  <i>Major Engine Overhaul</i></p>
<b>ENGINE OVERHEATS</b>	<p><i>Shift to lower gear or reduce load</i>  <i>Clean Air Screen</i>  <i>Add or change oil</i>  <i>Clean Engine Cooling Fins</i>  <i>Remove and clean Muffler or replace</i>  <i>Remove and clean Air Filter</i>  <i>Use fresh fuel and adjust Carburetor</i></p>
<b>NO LIGHTS</b>	<p><i>Check Fuse, Switch and Wire Connections. Replace Headlight Bulbs</i>  <i>Replace Switch</i></p>
<b>WON'T CHARGE</b>	<p><i>Check Fuse for fault and replace</i>  <i>Replace Battery</i>  <i>Replace Diode Assembly</i>  <i>Replace Alternator</i></p>
<p><b>OPERATOR PRESENCE SYSTEM WILL NOT SHUT DOWN ENGINE WHEN OPERATOR LEAVES SEAT</b>  <i>NOTE: This tractor is equipped with an operator presence sensing system. Any attempt by the operator to leave the seat with the engine running and the attachment clutch engaged will shut down the engine.</i></p>	<p><i>Engage Attachment Clutch</i>  <i>Check all Wire Connections</i>  <i>Check Seat Switch</i></p>

# TROUBLESHOOTING

<b>UNSATISFACTORY MOWER PERFORMANCE UNEVEN DISTRIBUTION OF CLIPPINGS</b>	Move Throttle Control to "FAST" Check air pressure in Tires Check front-to-rear and side-to-side Mower adjustment Use a slower ground speed Replace Mower Blades Reinstall Mower Blades with Top of Blade up Clean underside of Mower Deck Readjust Mower Drive Belt
<b>MOWER BLADES WILL NOT ROTATE</b>	Correct Clutch Mechanism Interference Install new Mower Drive Belt Reinstall Mower Drive Belt Adjust Mower Drive Belt Replace frozen Mandrel Replace frozen Idler Pulley
<b>EXCESSIVE MOWER VIBRATION</b>	Replace bent or unbalanced Blades Replace Mandrel. Straighten Deck or replace
<b>WIND ROWING STRIPPING OR DROPPING OF GRASS CLIPPINGS</b>	Set Throttle for maximum engine speed Let grass dry out Clean underside of Mower Deck Readjust Mower front-to-rear and side-to-side Replace Blades
<b>UNEVEN CUT OR SCALPING</b>	Readjust Mower front-to-rear and side-to-side Replace Blades Replace bent Mandrel(s)

# SERVICE RECORD

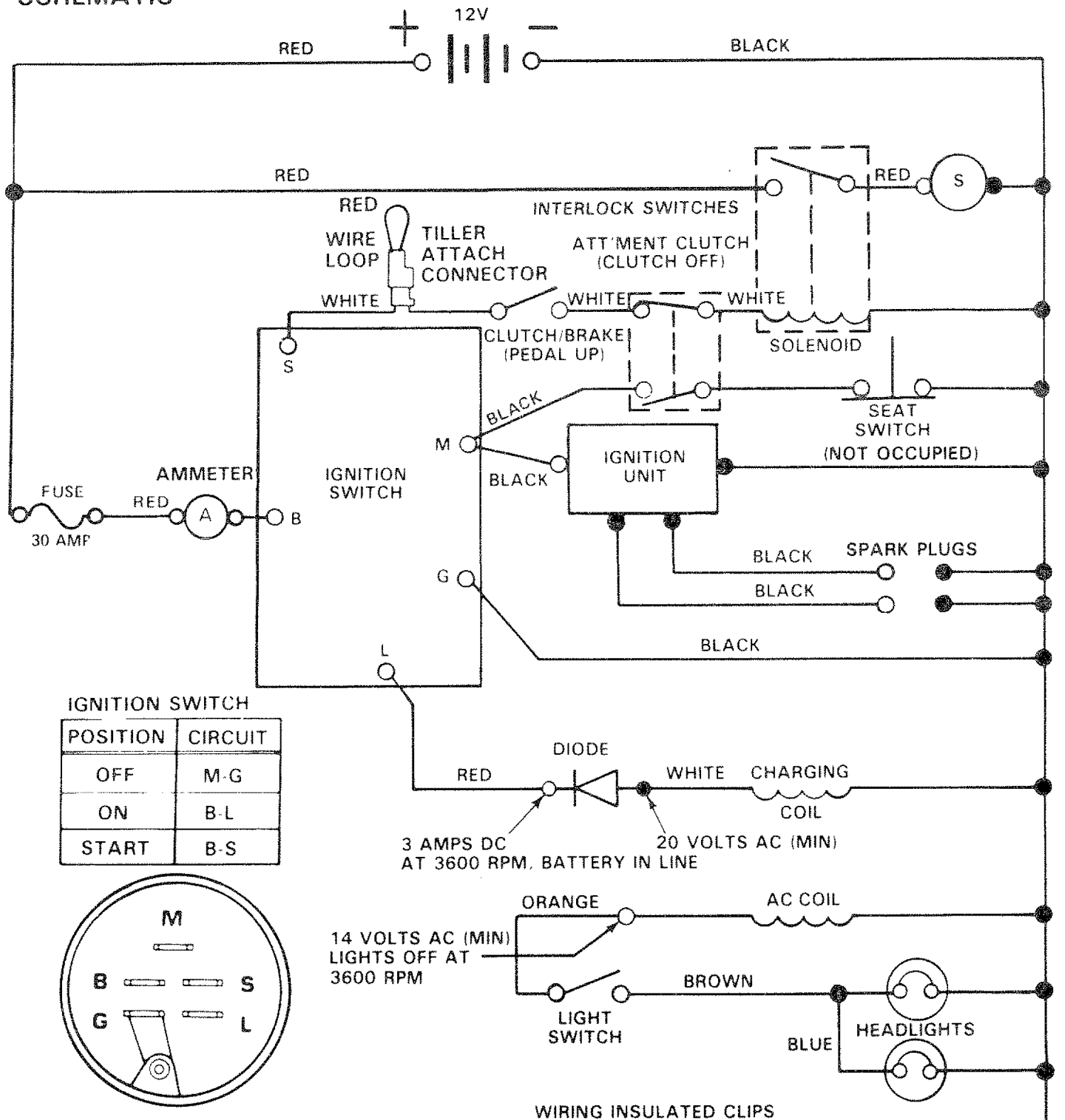
<b>SERVICE RECORD</b> Fill in dates as you complete regular service	SCHEDULE								
	FIRST 2 HOURS	EVERY 5 HOURS	EVERY 25 HOURS	EVERY 50 HOURS	EVERY 100 HOURS	EVERY 200 HOURS			
Blades			X						
Brake Adjustment			X						
Check Battery				X					
Change Engine Oil	X			X					
Check Engine Oil Level		X							
Clean Air Filter				X					
Check Muffler				X					
Clean Air Screen and Engine Cooling Fins				X					
Clean Front Grill				X					
Lubricate Tractor				X					
Replace Spark Plugs						X			
Replace Air Filter Cartridge						X			
Tires			X						
Fuel Filter						X			

*Sears, Roebuck and Co. reserves the right to make any changes in design or improvements without imposing any obligation to install the same upon its terms heretofore manufactured.*

# SERVICE NOTES

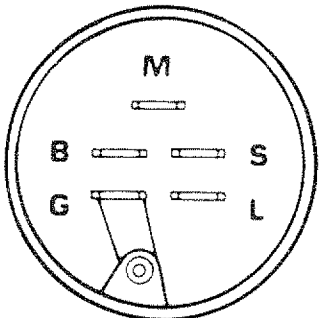
# 18 H. P. 44" RIDING YARD TRACTOR - MODEL NUMBER 917.254722

## SCHEMATIC



IGNITION SWITCH

POSITION	CIRCUIT
OFF	M-G
ON	B-L
START	B-S



YOUR TRACTOR IS EQUIPPED WITH A SPECIAL ALTERNATOR SYSTEM. THE LIGHTS ARE NOT CONNECTED TO THE BATTERY, BUT HAVE THEIR OWN ELECTRICAL SOURCE. BECAUSE OF THIS, THE BRIGHTNESS OF THE LIGHTS WILL CHANGE WITH THE ENGINE SPEED. AT IDLE SPEED THE LIGHTS WILL DIM. AS THE ENGINE IS SPEEDED UP, THE LIGHTS WILL BECOME THEIR BRIGHTEST.

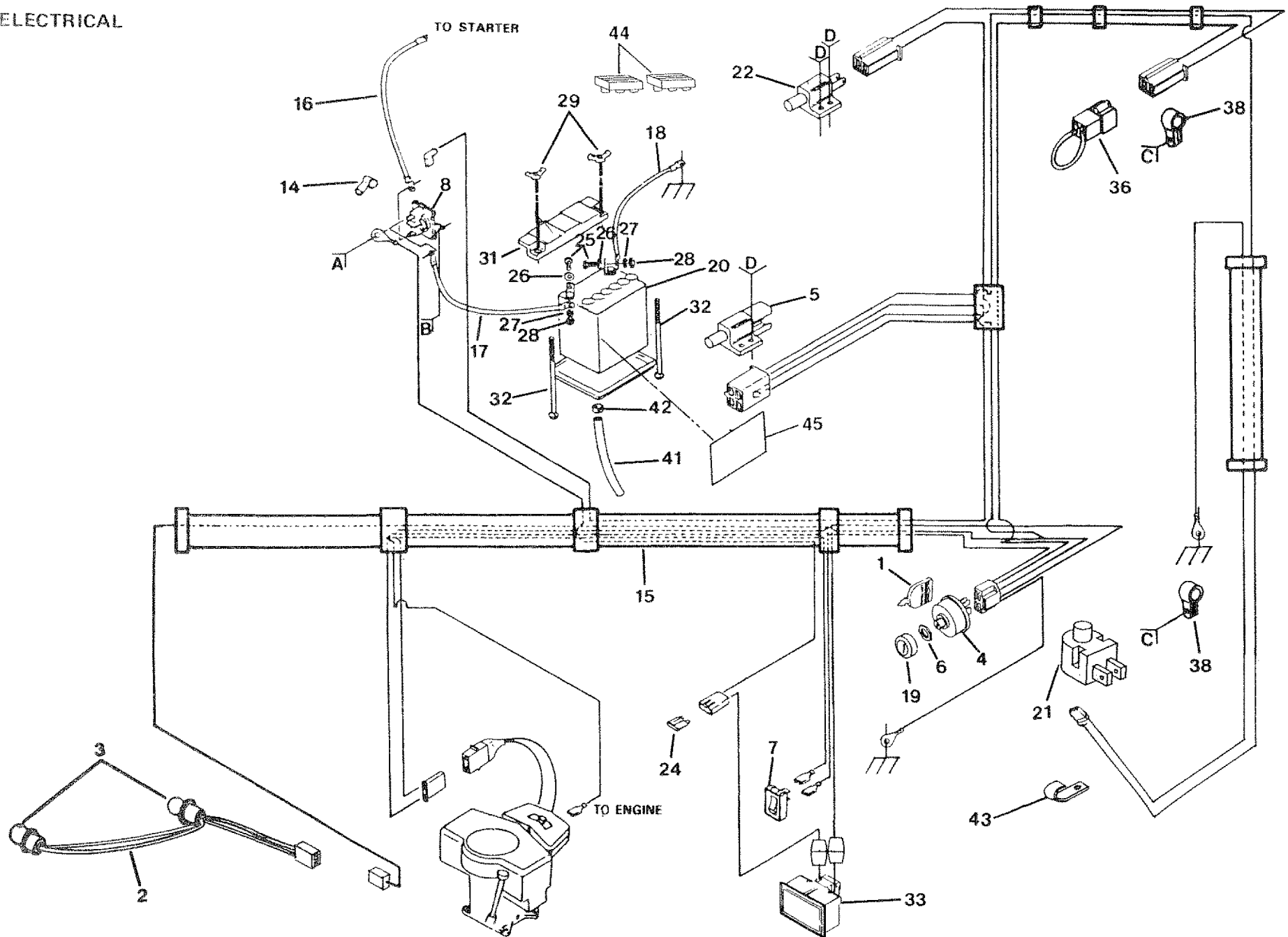
NOTE: IF WIRING INSULATED CLIPS WERE REMOVED FOR SERVICING OF UNIT, THEY SHOULD BE REPLACED TO PROPERLY SECURE YOUR WIRING.

- NON-REMOVABLE CONNECTIONS
- REMOVABLE CONNECTIONS

REPAIR PARTS

18 H. P. 44" RIDING YARD TRACTOR - MODEL NUMBER 917.254722

ELECTRICAL



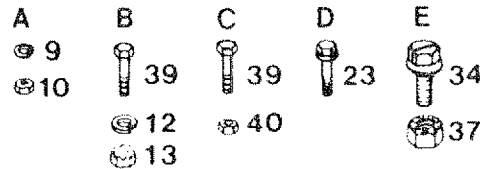
# REPAIR PARTS

## 18 H. P. 44" RIDING YARD TRACTOR - MODEL NUMBER 917.254722

### ELECTRICAL

KEY NO.	PART NO.	DESCRIPTION	KEY NO.	PART NO.	DESCRIPTION
1	109310X	Molded Key	25	STD522507	*Bolt - Hex 1/4 - 20 x 3/4
2	110859X	Harness, Light Socket	26	STD551025	*Washer 9/32 x 5/8 x 16 Ga.
3	4152J	Bulb - Light	27	STD551125	*Washer - Lock 1/4
4	STD365402	Switch - Ignition	28	STD541025	*Nut - Hex 1/4 - 20
5	109553X	Switch, Interlock - Attachment Clutch	29	STD541625	*Nut - Wing 1/4 - 20
6	109788X	Ignition, Nut	31	102476X	Guard - Terminal
7	110712X	Switch - Light	32	72240460	Bolt - Rd. Hd. Sq. Nk. 1/4 - 20 x 7-1/2
8	109081X	Solenoid	33	121433X	Ammeter
9	10090400	Washer - Lock 1/4	34	74641008	Screw - Slotted Pan Head #10 - 32 x 1/2
10	STD541225	*Nut - Jam 1/4 - 20			
12	11050400	Washer - Lock - Ext. Tooth 1/4			
13	73510400	Nut, Keps 1/4 - 20	36	102501X	Wire Loop
14	719J	Cover - Terminal	37	73951000	Nut - Keps #10 - 32
15	121434X	Harness - Ignition	38	235R	Clip - Insulation
16	4799J	Cable - Battery	39	STD522505	*Bolt - Hex 1/4 - 20 x 1/2
17	4206J	Cable - Battery	40	73680400	Nut - Crownlock 1/4 - 20
18	4207J	Cable - Ground	41	100541K	Tube
19	109787X	Bezel - Ignition	42	109596X	Clamp - Hose
20	121537X	Battery	43	4171R	Clip - Insulated
21	121305X	Seat - Plunger	44	121264X	Caps, Battery
22	104445X	Switch - Interlock - Clutch	45	121651X	Decal, Sears
23	17021008	Screw - Hex Tap. 10 - 24 x 1/2	---	101539X	Sheet - Instruction, Tractor 15° Slope
24	108824X	Fuse - 30 Amp	---	124450X	Owner's Manual

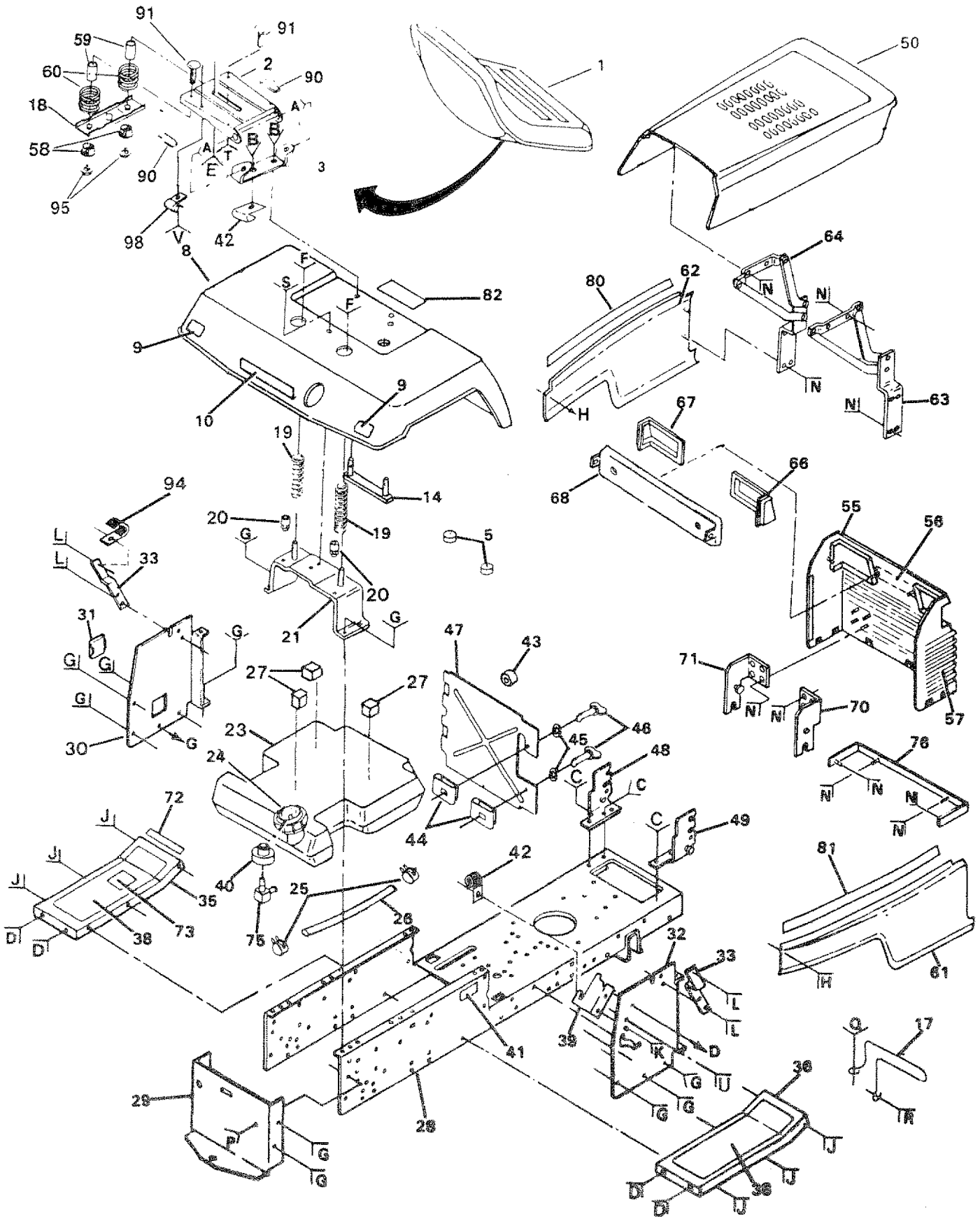
\*STANDARD HARDWARE--PURCHASE LOCALLY



# REPAIR PARTS

## 18 H. P. 44" RIDING YARD TRACTOR - MODEL NUMBER 917.254722

### CHASSIS AND ENCLOSURES





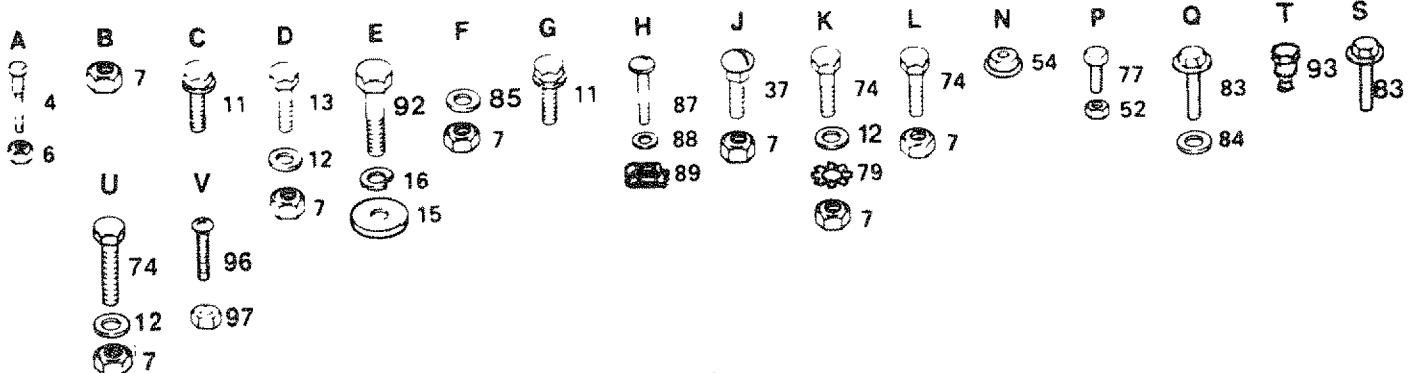
# REPAIR PARTS

## 18 H. P. 44" RIDING YARD TRACTOR - MODEL NUMBER 917.254722

### CHASSIS AND ENCLOSURES

KEY NO.	PART NO.	DESCRIPTION	KEY NO.	PART NO.	DESCRIPTION
1	120039X	Seat	50	106013X018	Hood
2	121247X	Pan - Seat	52	73680400	Nut - Crownlock 1/4-20
3	105513X	Bracket - Pivot - Seat	54	108067X	Pal - Nut
4	105529X	Bolt - Shoulder 5/16 - 18	55	105528X	Grill
5	121093X	Cap - Spring	56	105806X	Decal - Grill
6	73680500	Nut - Lock 5/16 - 18	57	105568X	Decal - Stripe
7	73680600	Nut - Lock 3/8 - 16	58	121248X	Bushing, Snap
8	121642X361	Fender	59	121249X	Spacer, Split
9	106202X	Reflector - Rear	60	121250X	Spring, Compression
10	105801X	Decal	61	108403X	Panel - Side - R.H.
11	17490612	Screw, Hex Washer Thd. Roll 3/8-16 x 3/4	62	108410X	Panel - Side - L.H.
12	19131312	Washer 13/32 x 13/16 x 12 Ga.	63	106091X	Hinge - R.H.
13	STD523707	*Bolt, Hex, 3/8-16 x 3/4	64	106090X	Hinge - L.H.
14	105511X	Strap - Fender	66	106003X	Lens - R.H.
15	19171912	Washer 1 1/32 x 13/16 x 12 Ga.	67	106004X	Lens - L.H.
16	STD551150	*Washer - Lock 1/2	68	110897X	Bezel - Headlight
17	108885X	Guard - Muffler	70	108512X	Bracket - Pivot - R.H.
18	121246X	Bracket, Switch - Seat	71	108513X	Bracket - Pivot - L.H.
19	121067X	Compression - Spring R.H.	72	4900J	Decal - Clutch/Brake
20	105531X	Nut, Push	73	109199X	Decal - Drive Belt
21	105509X	Bracket - Fender	74	STD523710	*Bolt - Hex 3/8-16 x 1
23	106020X	Tank - Fuel	75	8710J	Stem - Tank, Fuel
24	121221X	Cap - Fuel	76	110350X	Strap Assembly - Grill
25	6999R	Clamp - Hose	77	STD522505	Bolt - Hex 1/4 - 20 x 1/2
26	5277J	Line - Fuel	78	235R	Clip - Insulated
27	106082X	Pad - Spacer	79	11050600	Washer - Lock, Ext. Tooth 3/8
28	121277X	Chassis Assembly	80	106813X	Decal - Stripe, Side Panel, L.H.
29	121306X	Drawbar	81	106814X	Decal - Stripe, Side Panel, R.H.
30	105523X	Panel - Dash - L.H.	82	106974X	Decal - Caution
31	121794X	Cover, Access	83	17490612	Bolt, Hex Washer Thread Rolling 3/8-16 x 3/4
32	110828X	Panel - Dash - R.H.	84	19131616	Washer 13/32 x 1 x 16 Ga.
33	105525X	Bracket - Support - Dash	85	19131614	Washer - 13/32 x 1 x 14 Ga.
35	105465X	Footrest - L.H.	87	106909X	Screw - Special
36	105464X	Footrest - R.H.	88	106910X	Screw - Special
37	STD533707	*Bolt, Carr. 3/8-16 x 3/4	89	108402X	U-Clip
38	105466X	Pad, Footrest	90	121251X	Strip, Foam
39	110923X	Bracket - Clutch - Mower	91	72170410	Bolt, Carr. 1/4 - 20 x 1-1/4
40	3645J	Bushing	92	74780816	Bolt 1/2-13 x 1
41	105566X	Decal - 5 Speed - 44"	93	121144X	Shoulder Bolt
42	2751R	Clip - Insulated	94	5320R	Clip - Insulated
43	110436X	Grommet	95	73900400	Nut, Hex 1/4 - 20
44	105839X	Receptacle	96	74641008	Screw - Sstd. Pan Head #10 - 24 x 1/4
45	105838X	Retainer	97	73951000	Nut, Keps #10 - 24
46	105751X	Stud - 1/4 Turn	98	4171R	Clip, Insulated
47	105867X	Shield - Heat			
48	109015X	Bracket - Pivot - L.H.			
49	109016X	Bracket - Pivot - R.H.			

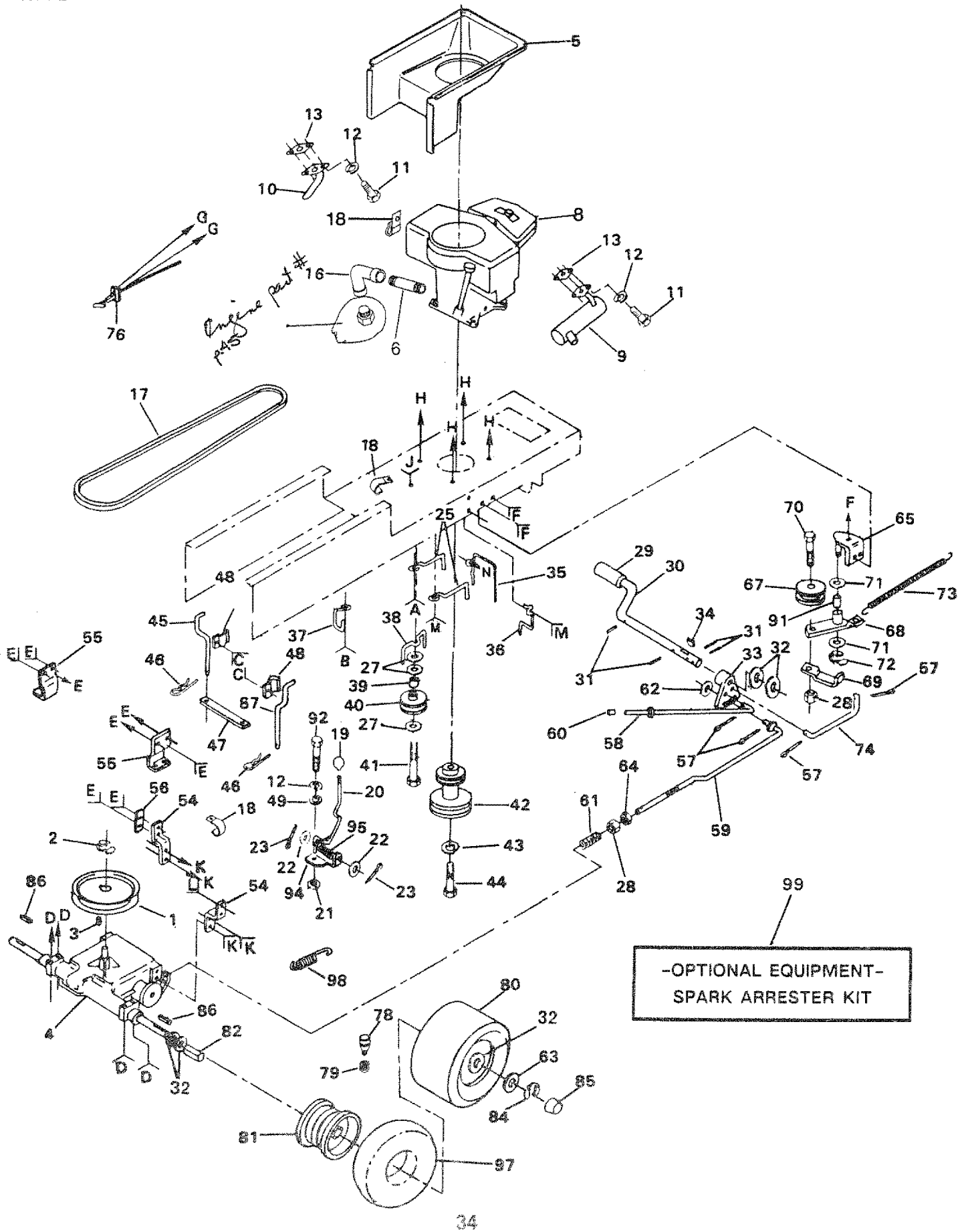
\*STANDARD HARDWARE--PURCHASE LOCALLY



# REPAIR PARTS

## 18 H. P. 44" RIDING YARD TRACTOR - MODEL NUMBER 917.254722

### DRIVE



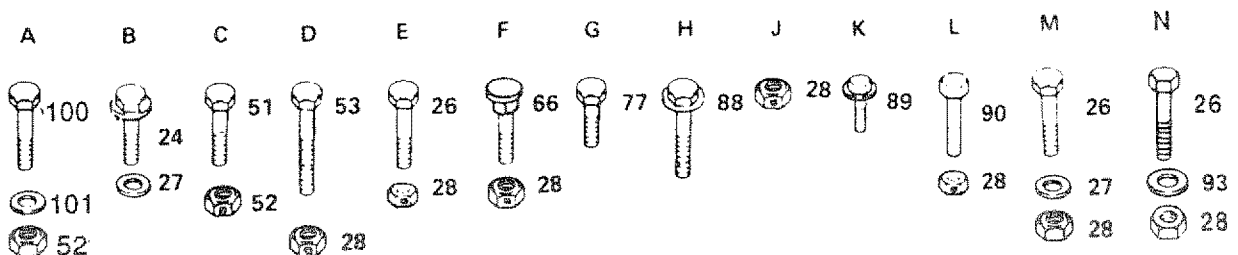
# REPAIR PARTS

## 18 H. P. 44" RIDING YARD TRACTOR - MODEL NUMBER 917.254722

### DRIVE

KEY NO.	PART NO.	DESCRIPTION	KEY NO.	PART NO.	DESCRIPTION
1	106192X	Pulley, Transaxle (Driven)	51	STD523107	*Bolt, Hex 5/16-18 x 3/4
2	12000028	Ring, Retainer	52	73680600	Nut, Lock, 5/16-18
3	STD580025	*Key, Woodruff No. 9	53	STD523727	*Bolt, Hex, 3/8-16 x 2-3/4
4	123183X	Transaxle, 5 Speed, Foote Model No. 4360-13 (see pages 42 and 43 for parts breakdown)	54	121520X	Strap, Torque
		Duct, Air Intake	55	109167X	Bracket, Transaxle
5	105953X		56	106157X	Plate, Strap, Torque
6	13280336	Nipple Pipe	57	76020412	Pin, Cotter, 1/8 x 3/4
			58	105844X	Rod, Brake, Park
8	122291X	Engine, Briggs & Stratton Model No. 422707 Type No. 1511-01	59	110437X	Rod, Brake
		Muffler	60	124236X	Cap
9	108373X		61	106888X	Spring, Rod, Brake
10	100229L	Tube Ass'y - Exhaust	62	STD551037	*Washer 13/32 x 13/16 x 16 Ga.
11	STD522507	*Bolt, Hex, 1/4-20 x 3/4	63	121748X	Washer 25/32 x 1-5/8 x 16 Ga.
12	STD551125	*Washer, Lock, 1/4	64	STD541237	*Nut, Hex, Jam 3/8-16
13	8545J	Gasket	65	105724X	Bracket, Clutch
16	13200300	Elbow std. 90°	66	STD533707	*Bolt, Carr., 3/8-16 x 3/4
17	120301X	V-Belt, Drive	67	106298X	Pulley, Idler
18	2751R	Clip	68	105707X	Bellcrank Assembly (Incl. Key No. 91)
19	106933X	Knob	69	106499X	Retainer, Belt
20	121728X	Rod, Shifter	70	STD523715	*Bolt, Hex, 3/8-16 x 1-1/2
21	105701X	Washer - Shaft Plate	71	110812X	Washer, Hardened
22	19151216	Washer, 15/32 x 3/4 x 16 Ga.	72	12000039	Klip Ring
23	STD561210	*Pin, Cotter, 1/8 x 1	73	105709X	Spring, Return, Clutch
24	17490612	Screw - Hex Washer Hd. Thd. Rolling 3/8-16 x 3/4	74	105710X	Link, Clutch
25	105730X	Keeper, Belt, Engine	76	121468X	Control, Throttle
26	STD523710	*Bolt, Hex, 3/8-16 x 1	77	17720408	Screw, Hex Thd. Cut, 1/4-20 x 1-2
27	19131312	Washer, 13/32 x 13/16 x 12 Ga.	78	59192	Cap, Valve
28	73680600	Nut, Lock, 3/8-16	79	65139	Stem, Valve
29	8883R	Cover, Pedal	80	124632X	Tire, Rear 20-10.00 x 10
30	109037X	Shaft, Foot Pedal	81	106108X361	Rim 8"
31	STD571810	*Pin, Roll, 3/16 x 1	82	109502X	Spacer, Split
32	121749X	Washer, 25/32 x 1-1/4 x 16 Ga.			
33	106918X	Arm, Brake	84	12000001	E-Ring
34	STD580025	*Key, Woodruff No. 9	85	104757X	Cap, Hub, Rear
35	121441X	Guide, Belt, Lower, Eng. Pulley L.H.	86	STD580105	*Key, Square, 3/16 x 2
36	121440X	Guide, Belt, Lower, Eng. Pulley R.H.	87	108332X	Keeper, Belt, R.H.
37	104777X	Guide, Belt	88	17490624	Bolt, Hex Washer Thd. Rolling 3/8-16 x 1-1/2
38	109070X	Keeper, Belt			
39	4470J	Spacer	89	17490512	Screw, Hex Washer Thd. Rolling 5/16-18 x 3/4
40	4859J	Idler, Flat	90	STD523707	*Bolt, Hex 3/8-16 x 3/4
41	STD523727	*Bolt, Hex 3/8-16 x 2-3/4	91	105706X	Bearing
42	105731X	Pulley, Engine	92	71040412	Bolt, Hex 1/4-28 x 3/4
43	10040700	Washer, Lock, 7/16	93	19132012	Washer 13/32 x 1-1/4 x 12 Ga.
44	74770720	Bolt, Hex, 7/16-20 x 1-1/4	94	106919X	Plate, Rod, Shift
45	108331X	Keeper, Belt, L.H.	95	105700X	Spring, Torsion
46	4921H	Retainer, Spring	97	7152J	Tube (Not furnished with tractor)
47	106296X	Strap, Locator	98	110422X	Spring, Brake Return
48	106190X	Clamp	99	674A380	Spark Arrestor Kit
49	19091210	Washer 9/32 x 3/4 x 10 Ga.	100	74760516	*Bolt, Hex, 5/16-18X1
			101	19111212	Washer. 11/32X3/4X12Ga.

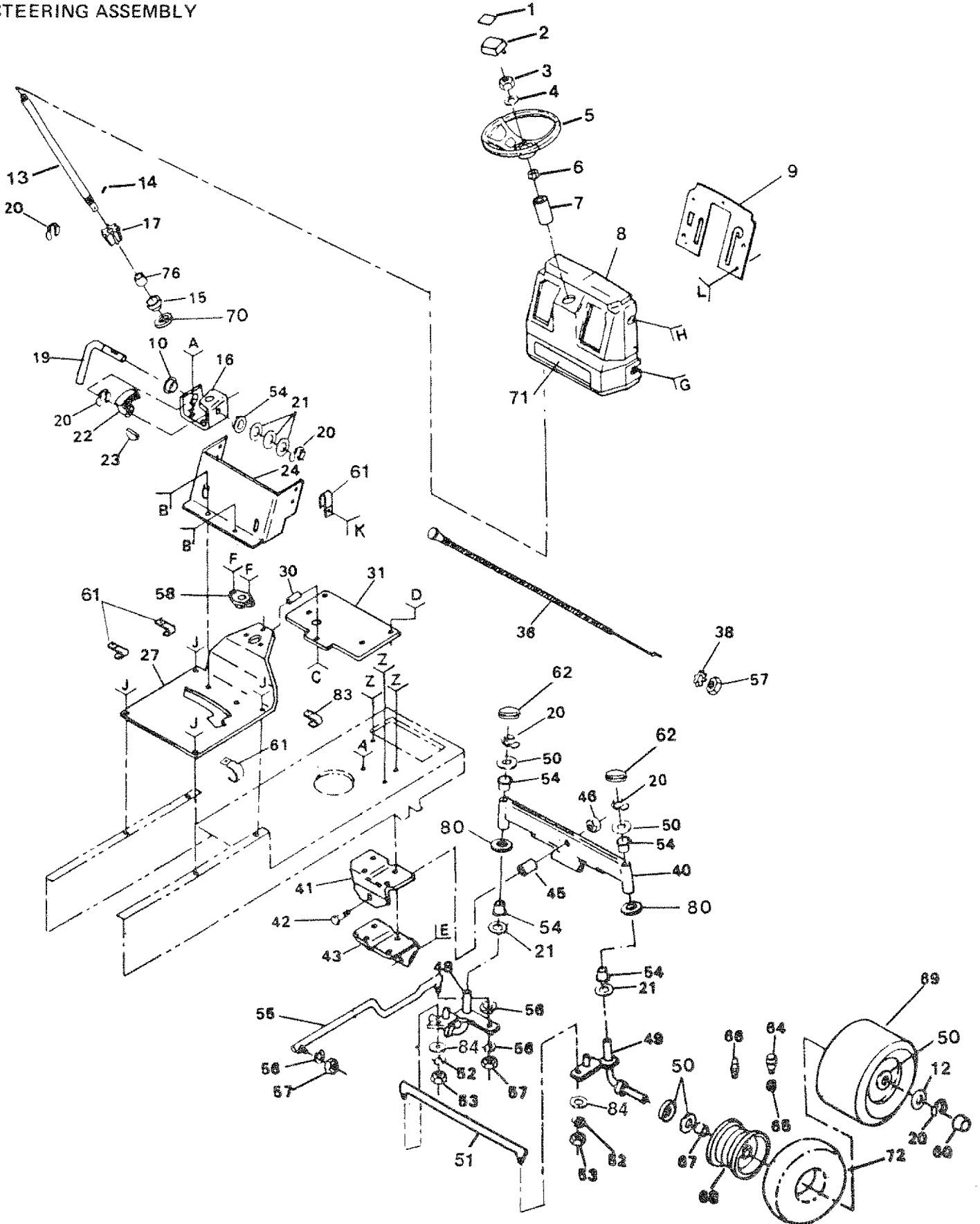
\*STANDARD HARDWARE--PURCHASE LOCALLY



# REPAIR PARTS

## 18 H. P. 44" RIDING YARD TRACTOR - MODEL NUMBER 917.254722

### STEERING ASSEMBLY



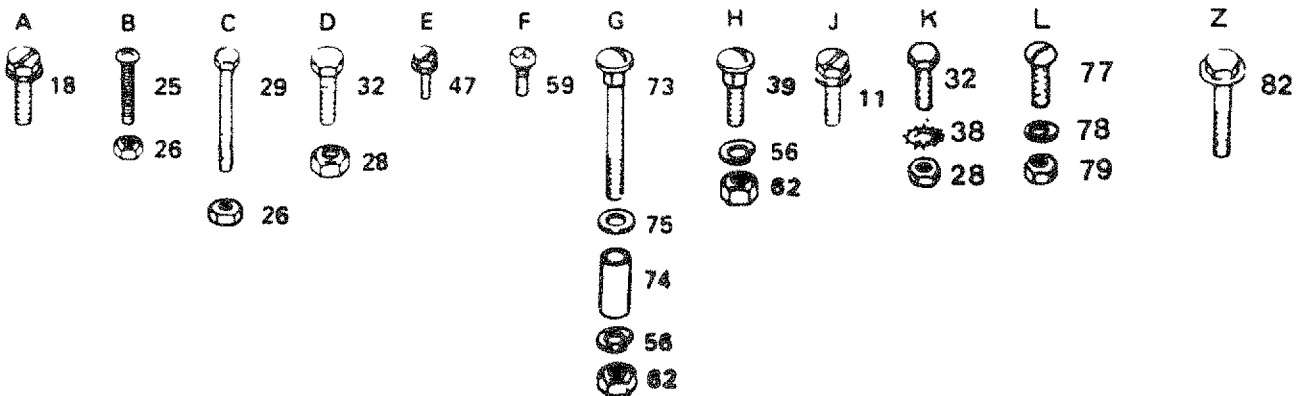
# REPAIR PARTS

## 18 H. P. 44" RIDING YARD TRACTOR - MODEL NUMBER 917.254722

### STEERING ASSEMBLY

KEY NO.	PART NO.	DESCRIPTION	KEY NO.	PART NO.	DESCRIPTION
1	105810X	Decal - Cap, Steering Wheel	42	74761060	Bolt, Hex 5/8-11 x 3-3/4
2	100710L	Insert, Steering Wheel	43	105664X	Support, Saddle, Front
3	73940800	*Nut, Top Lock 1/2 - 20UNF	45	110438X	Spacer Bearing, Front Axle
4	100712K	Washer	46	73901000	Nut, Lock, Flange 5/8-11
5	100713N	Wheel, Steering	47	17490508	Screw, Hex Washer Thd. Rolling 5/16-18 x 1/2
6	100711L	*Adapter - Steering Wheel	48	105656X	Spindle, L.H.
7	106015X	Sleeve, Steering	49	105654X	Spindle, R.H.
8	120028X	Dash	50	121749X	Washer 25/32 x 1-1/4 x 16 Ga.
9	120002X011	Dash Plate	51	121321X	Rod, Tie
10	109816X	Nyliner, Snap-In	52	STD551131	*Washer, Lock 5/16
11	17490608	Screw, Hex Washer Thd. Rolling 3/8-16 x 1/2	53	STD541131	*Nut, Hex 5/16-24
12	121748X	Washer 25/32 x 1-5/8 x 16 Ga.	54	3366R	Bearing
13	108705X	Shaft, Steering	55	105727X	Link, Drag
14	2882J	Pin, Drive	56	STD551137	*Washer, Lock 3/8
15	71208	Bushing	57	STD541137	*Nut, Hex 3/8-24
16	109432X	Bracket, Steering	58	1554J	Bushing, Steering
17	108685X	Gear, Pinion	59	17431008	Screw, Hex No. 10-16 x 1/2
18	17490612	Screw, Hex Washer Thd. Rolling 3/8-16 x 3/4	60	104757X	Cap, Hub, Front
19	108683X	Rod, Steering	61	2751R	Clip, Fuel Line
20	12000029	Klip Ring	62	STD541037	*Nut, Hex 3/8-16
21	6266H	Bearing, Thrust	63	121232X	Spindle, Cap
22	108684X	Gear, Sector	64	59192	Cap, Valve
23	106126X	Key, Woodruff	65	65139	Stem, Valve
24	105518X	Dash, Lower	66	278H	Fitting, Grease
25	74180512	Screw, Crown Truss Hd. 5/16-18 x 3/4	67	9040H	Bearing
26	73680500	Nut, Lock 5/16-18	68	106732X361	Rim, 6" Front
27	108263X021	Saddle -	69	106222X	Tire, Front
28	73680600	Nut, Lock 3/8-16	70	101930X	Washer, Hardened
29	STD523120	*Bolt, Hex 5/16-18 x 2	71	108456X	Decal, Instructions, Operating
30	121236X	Spacer	72	59904	Tube, Tire, Front
31	106001X	Support Plate, Battery	73	72110622	Bolt, Carriage Hex 3/8-16 x 2-3/4
32	STD523707	*Bolt, Hex 3/8-16 x 3/4	74	121235X	Spacer
36	121525X	Control, Choke	75	19131416	Washer 13/32 x 7/8 x 16 Ga.
37	STD551037	*Washer 13/32 x 13/16 x 16 Ga.	76	74580	Spacer
38	11050600	Washer, Lock, Int./Ext. Tooth 3/8	77	STD512507	*Screw, Pan Head 1/4-20 x 3/4
39	72110608	Bolt, Carriage	78	19091216	Washer 13/32 x 3/4 x 16 Ga.
40	105669X	Axle, Front	79	73510400	Nut, Keps 1/4 NC
41	105663X	Support, Saddle, Rear	80	19272016	Washer 27/32 x 1-1/4 x 16 Ga.
			81	19251816	Washer
			82	17490624	Bolt, Hex Washer Thd. Roll. 3/8 - 16 x 1-1/2
			83	5320R	Clip, Insulated
			84	19111216	Washer 11/32 x 3/4 x 16 Ga.

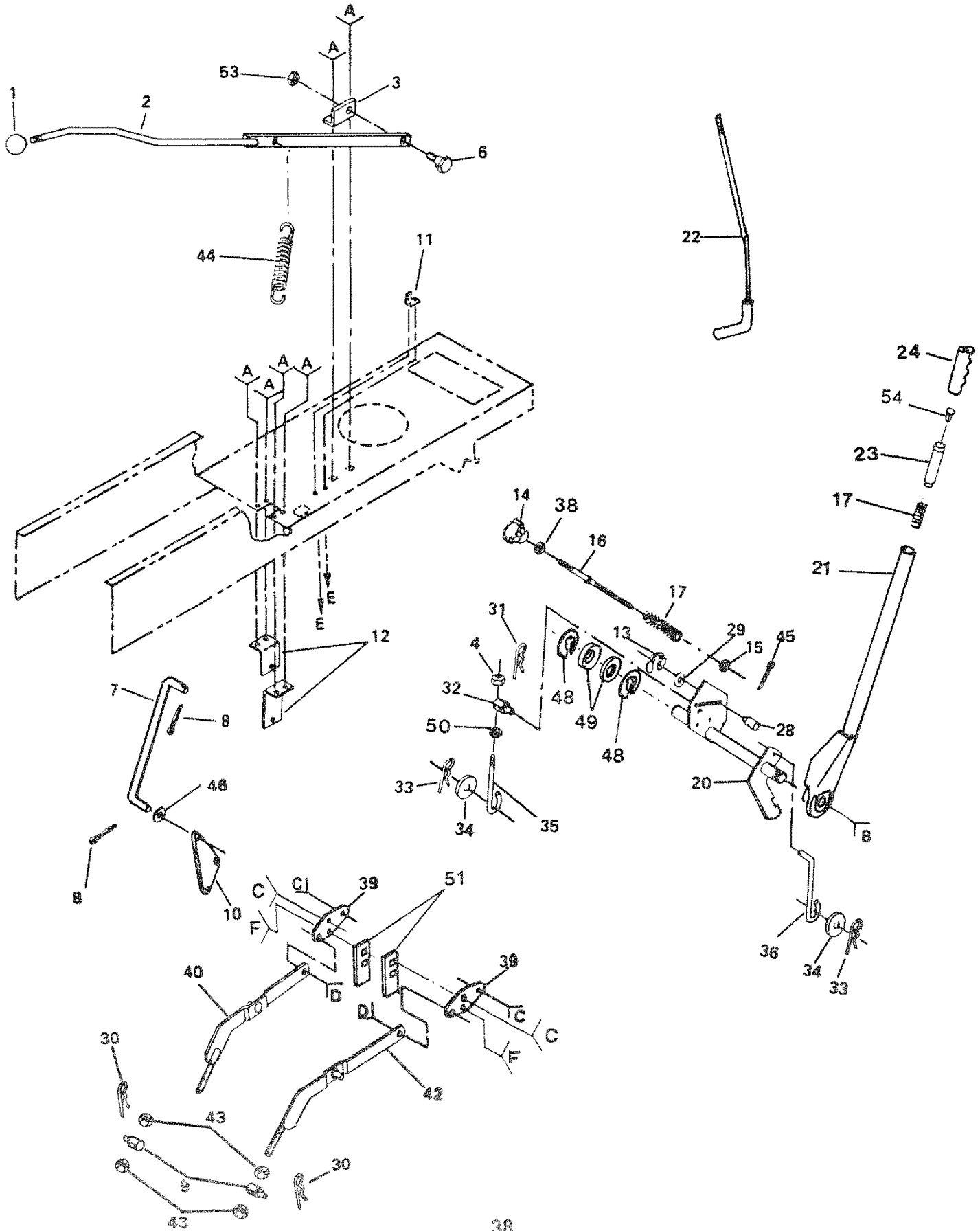
\*STANDARD HARDWARE--PURCHASE LOCALLY



# REPAIR PARTS

## 18 H. P. 44" RIDING YARD TRACTOR - MODEL NUMBER 917.254722

### LIFT ADJUSTMENT



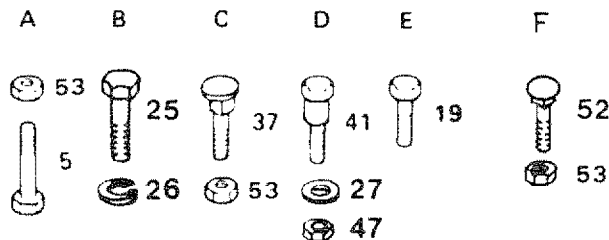
# REPAIR PARTS

## 18 H. P. 44" RIDING YARD TRACTOR - MODEL NUMBER 917.254722

### IFT ADJUSTMENT

KEY NO.	PART NO.	DESCRIPTION	KEY NO.	PART NO.	DESCRIPTION
1	106933X	Knob	28	110810X	Trunnion, Stop Depth
2	110924X	Lever, Mower Clutch	29	19151216	Washer 15/32 x 3/4 x 16 Ga.
3	106498X	Bracket, Pivot	30	9135R	Retainer Clip
4	73710700	Nut, Jam 7/16-20 UNF	31	4939M	Retainer Spring
5	STD523707	*Bolt, Hex 3/8-16 x 3/4	32	110447X	Trunnion, Lift
6	106451X	Bolt, Shoulder	33	4921H	Retainer Spring
7	108387X	Rod, Clutch, Primary	34	19171516	Washer 17/32 x 5/16 x 16 Ga.
8	76020412	Pin, Cotter 1/8 x 3/4	35	110448X	Link, Lift Adjust
9	106308X	Trunnion, Lift Lower	36	110029X	Link, Lift
10	109728X	Bellcrank	37	STD533707	*Bolt, Carriage 3/8-16 x 3/4
11	108236X	Bracket, Switch	38	STD541237	*Nut - Jam 3/8 - 16
12	106444X	Bracket, Bellcrank	39	105864X	Bracket, Suspension
13	12000037	Klip Ring	40	121599X	Arm, Suspension, L.H.
14	100734K	Knob, Depth Adjustment	41	105848X	Bolt, Shoulder 3/8-16
15	110807X	Nut, Special	42	121598X	Arm, Suspension, R.H.
16	110729X	Rod, Adjust, Lift	43	STD541050	*Nut, Hex Fin. 1/2-13
17	2876H	Spring	44	58606	Spring
18	19131016	Washer 13/32 x 3/8 x 16 Ga.	45	76020308	Pin, Cotter 3/32 x 1/2
19	17021008	Screw, Hex Hd. Tap. No. 10-24 x 1/2	46	19131410	Washer 13/32 x 7/8 x 10 Ga.
20	121000X	Shaft, Lift	47	73980600	Nut, Lock 3/8-16
21	121002X	Lever, Lift (Incl. Key No. 22)	48	12000022	E-Ring
22	121006X	Rod, Lever	49	19292016	Washer 29/32 x 1 1/4 x 16 Ga.
23	122364X	Plunger, Lever	50	73360700	Nut 7/16-20 UNF
24	109413X	Grip, Handle	51	121252X	Upstop, Mower
25	STD523715	*Bolt, 3/8-16 x 1-1/2	52	72140608	Bolt, Carriage 3/8-16 x 1
26	STD551137	*Washer, Lock 3/8	53	73680600	Nut, Lock 3/8 - 16
27	110739X	Washer, Spring 3/8	54	122365X	Button Plunger

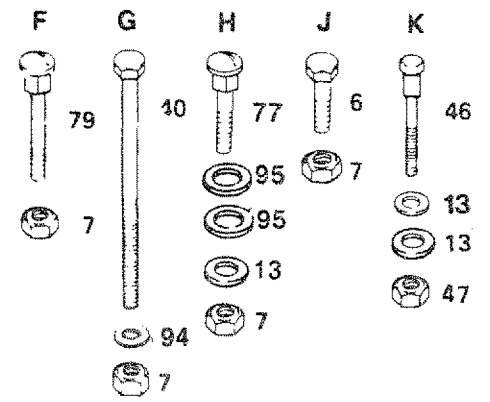
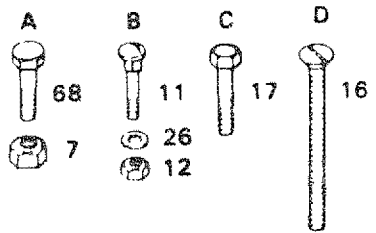
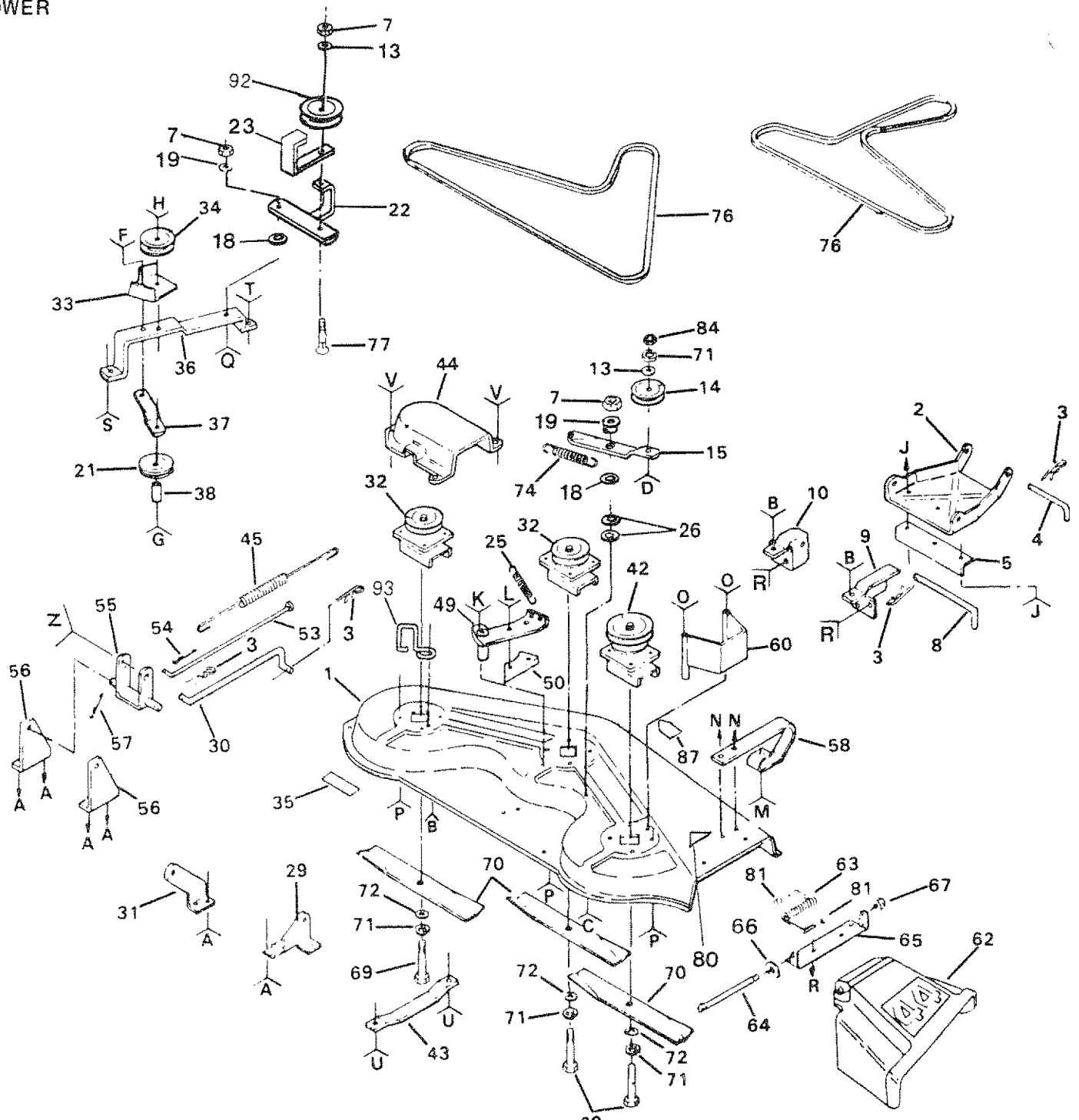
\*STANDARD HARDWARE--PURCHASE LOCALLY



# REPAIR PARTS

## 18 H. P. 44" RIDING YARD TRACTOR - MODEL NUMBER 917.254722

### MOWER



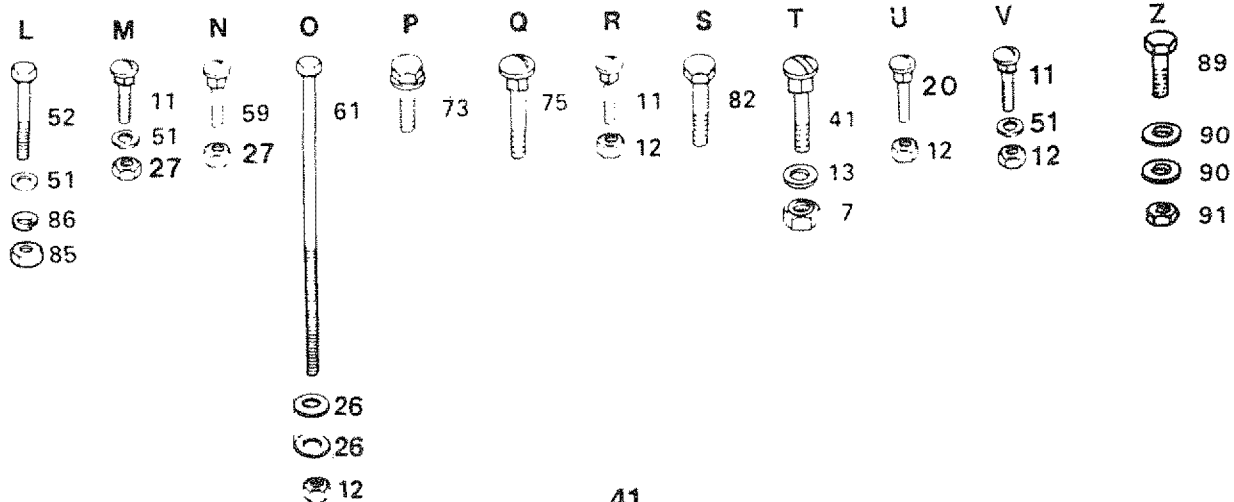


# REPAIR PARTS

## 18 H. P. 44" RIDING YARD TRACTOR - MODEL NUMBER 917.254722

### MOWER

KEY NO.	PART NO.	DESCRIPTION	KEY NO.	PART NO.	DESCRIPTION
1	121423X	Housing, Mower	50	102951X	Brake - Block
2	105662X	Link - Parallel	51	STD551031	*Washer 11/32 x 11/16 x 16 Ga.
3	4921H	Retainer - Spring	52	STD523112	*Bolt - Hex 5/16 - 18 x 1-1/4
4	105744X	Pin, Front Hinge	53	108394X	Rod - Brake
5	105872X	Stop - Link - Parallel	54	STD560907	*Pin - Cotter 3/32 x 3/4
6	STD523708	*Bolt - Hex 3/8 - 16 x 3/4	55	110384X	Shaft - Rock
7	73680600	Nut - Lock 3/8 - 16	56	108393X	Support - Shaft - Rock
8	109835X	Pin, Rear Hinge	57	76020616	Pin - Cotter 3/16 x 1
9	106512X	Bracket - Lift - R.H.	58	8418J	Runner - R.H.
10	106511X	Bracket - Lift - L.H.	59	72140505	Bolt - Carriage 5/16 - 18 x 5/8
11	STD533107	*Bolt - Carriage 5/16 - 18 x 3/4	60	102924X	Guard - Belt - R.H.
12	73680500	Nut - Lock 5/16 - 18	61	74760580	Bolt - Hex 5/16 - 18 x 5
13	19131614	Washer 13/32 x 1 x 14 Ga.	62	109785X	Shield - Deflector
14	102932X	Idler - Flat	63	106734X	Spring
15	106526X	Arm - Idler - Deck	64	106735X	Rod - Hinge
16	74110632	Screw - Flat Hd. 3/8 - 16 x 2	65	109743X	Bracket - Deflector
17	STD523712	*Bolt - Hex 3/8 - 16 x 1-1/4	66	19111016	Washer 11/32 x 5/8 x 16 Ga.
18	106513X	Washer - Wear	67	110452X	Nut - Push
19	106902X	Spacer	68	STD533707	*Bolt - Carriage 3/8 - 16 x 3/4
20	72110505	Bolt - Carriage 5/16-18 x 5/8	69	STD623715	*Bolt - Hex 3/8-24 x 1 - 1/2 Gr. 5
21	102403X	Pulley - Idler	70	106635X	Blade
22	121424X	Arm - Idler	71	STD551137	*Washer - Lock 3/8
23	121426X	Guide - Belt	72	19132012	Washer 13/32 x 1-1/4 x 12 Ga.
25	106530X	Spring	73	17490612	Screw - Hex Washer Thd. Rolling 3/8 - 16 x 3/4
26	19111216	Washer 11/32 x 3/4 x 16 Ga.	74	7644J	Spring - Extension
27	1685H	Nut - Lock 5/16 - 18	75	72140612	Bolt - Carriage 3/8 - 18 x 1-1/2
29	109278X	Bracket - Suspension - Rear - R.H.	76	106085X	V-Belt
30	108235X	Rod - Clutch	77	72140616	Bolt - Carriage 3/8 - 16 x 2
31	108359X	Bracket - Suspension - Rear - L.H.	79	72140614	Bolt - Carriage 3/8 - 16 x 1-3/4
32	121622X	Mandrel - Secondary	80	---	Decal - Safety Standard - Not Serviced
33	106529X	Guide - Belt	81	105304X	Cap - Sleeve
34	677A451	Pulley - Idler	82	STD523710	*Bolt - Hex 3/8 - 16 x 1
35	106223X	Decal	84	STD541437	*Nut, Hex 3/8 - 16
36	106523X	Bar - Support - Idler	85	STD541031	*Nut, Hex 5/16 - 18
37	106522X	Brace - Idler - Deck	86	STD551131	*Lockwasher 5/16
38	121236X	Spacer	87	121343X	Decal - Danger, Warning
40	STD523730	*Bolt - Hex 3/8 - 16 x 3	88	19131614	Washer 13/32 x 1 x 14 Ga.
41	STD533710	*Bolt - Carriage 3/8 - 16 x 1	89	74760412	Bolt, Hex 1/4 - 20 x 3/4
42	121704X	Mandrel - Primary	90	19091616	Washer 9/32 x 1 x 16 Ga.
43	7631J	Runner - L.H.	91	73680400	Nut, Lock 1/4 - 20
44	106214X	Guard	92	121316X	Pully, Idler
45	121427X	Spring - Extension	93	121352X	Keeper, Belt
46	121827X	Bolt - Shoulder	94	19131316	Washer 13/32 x 13/16 x 16 Ga.
47	73930600	Nut - Centerlock 3/8 - 16	95	19131410	Washer 13/32 x 7/8 x 10 Ga.
48	19131207	Washer 17/32 x 1-3/16 x 12 Ga.	96	121825X	44" Replacement Mower Deck
49	106606X	Arm - Brake			*STANDARD HARDWARE--PURCHASE LOCALLY

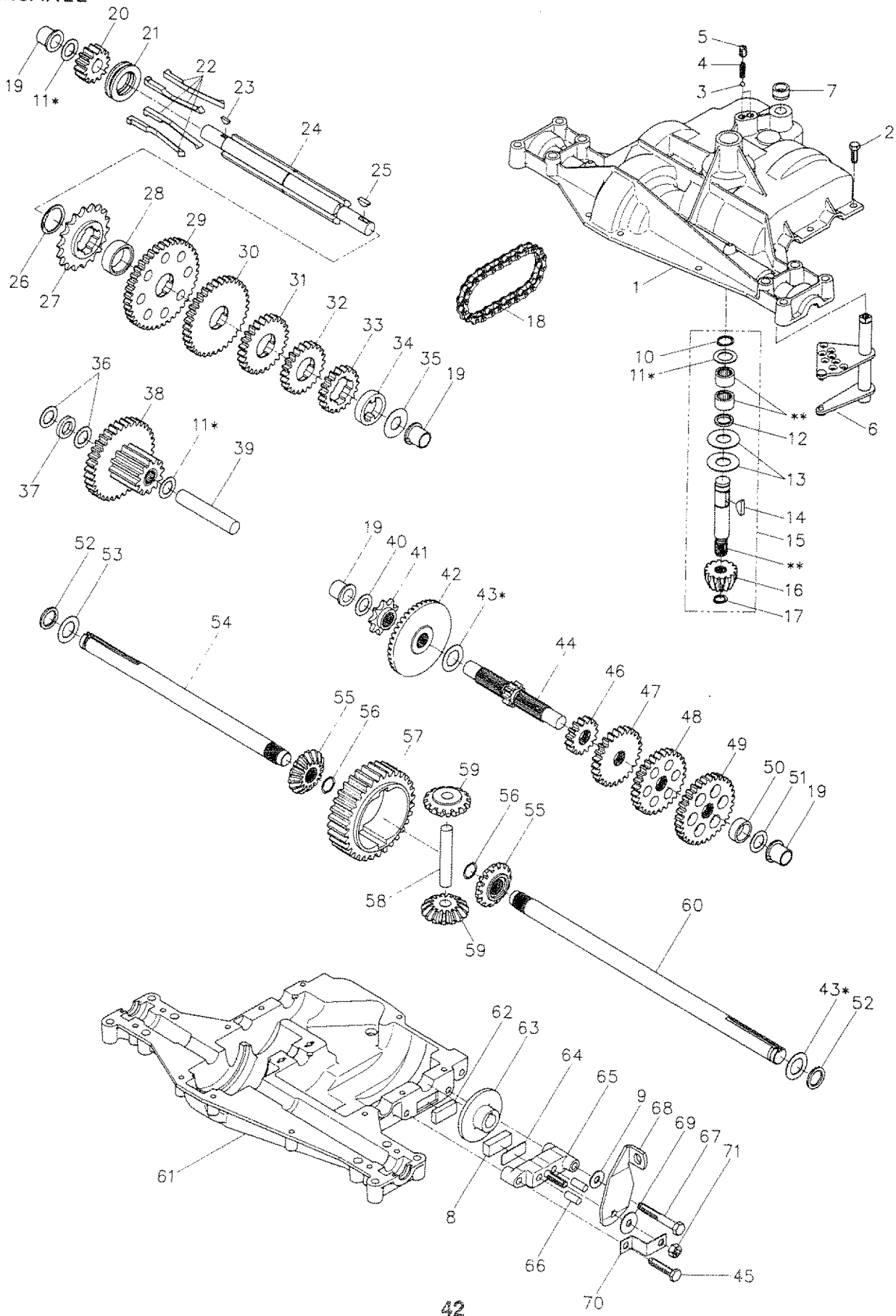


# REPAIR PARTS

## 18 H. P. 44" RIDING YARD TRACTOR - MODEL NUMBER 917.254722

### TRANSAXLE FOOTE - MODEL NUMBER 4360-13

#### TRANSAXLE



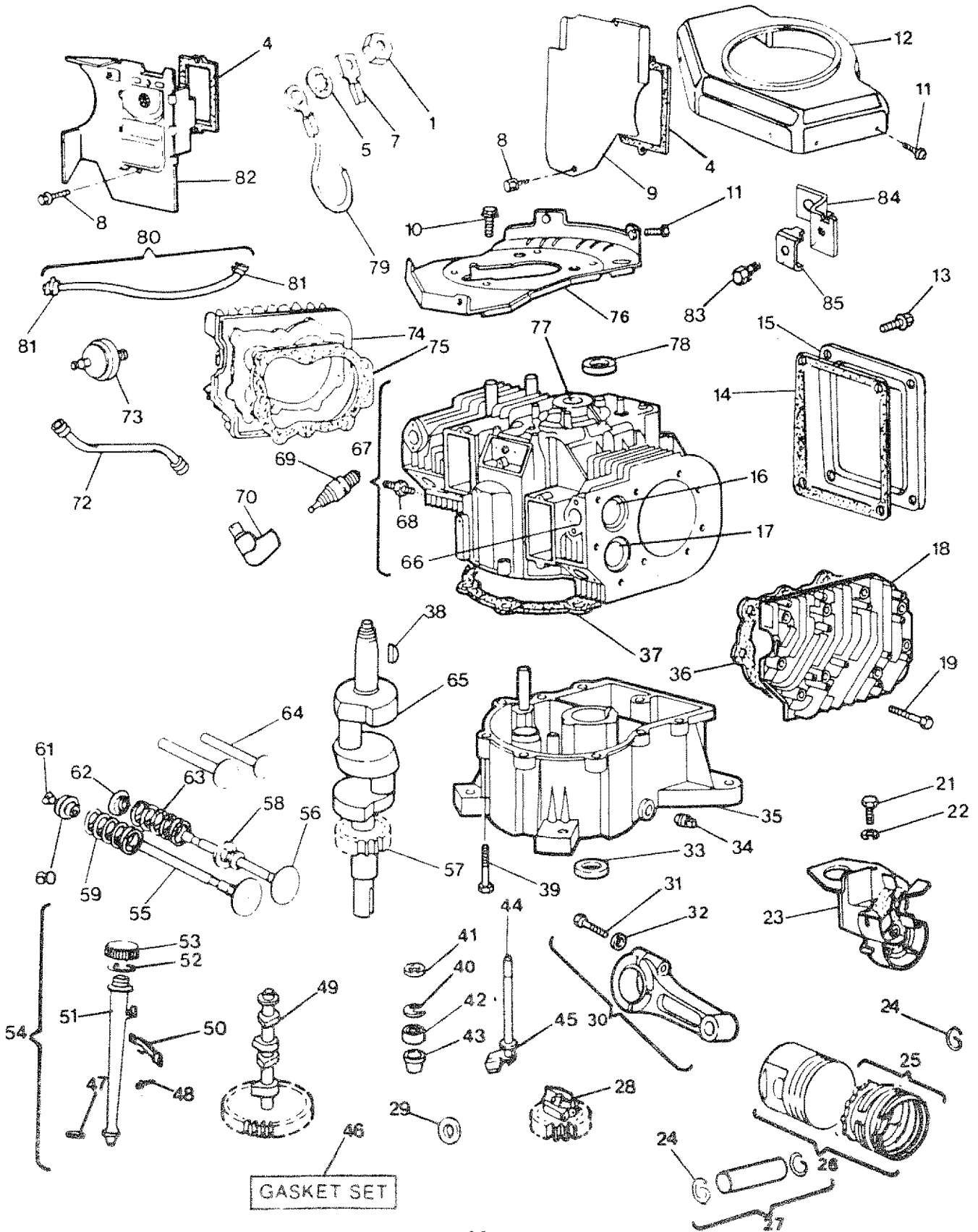
# REPAIR PARTS

## 18 H. P. 44" RIDING YARD TRACTOR - MODEL NUMBER 917.254722 TRANSAXLE FOOTE - MODEL NUMBER 4360-13

PART NO.	DESCRIPTION	KEY NO.	PART NO.	DESCRIPTION
1	124643X			
	Housing, Upper	43	106097X	Washer, Plain, .758 X 1.25 X .025
2	2274J			
	Screw, Tapping, 1/4-20 X .734 Lg.	43	2264J	Washer, Plain, .758 X 1.25 X .031
3	68003			
	Ball, Detent	43	106098X	Washer, Plain, .758 X 1.25 X .035
4	105904X			
	Spring, Detent	43	2265J	Washer, Plain, .758 X 1.25 X .040
5	105905X			
	Screw, Set	43	106586X	Washer, Plain, .758 X 1.25 X .045
6	124637X			
	Ass'y., Shifter	43	106587X	Washer, Plain, .758 X 1.25 X .050
7	108727X			
	V-Ring	44	124640X	Shaft, Drive
8	120951X			
	Puck, Friction	45	106596X	Screw, Tapping, 5/16-18 X 1.44 Lg.
9	120993X			
	Washer, Plain, .343 X .81 X .059	46	106151X	Gear, Spur, 15T.
10	2267J			
	Ring, Retaining	47	106589X	Gear, Spur, 25T.
11	3413J			
	Washer, Plain, .632 X 1.00 X .010	48	120408X	Gear, Spur, 28T.
11	2233J			
	Washer, Plain, .632 X 1.00 X .020	49	105937X	Gear, Spur, 31T.
11	2232J			
	Washer, Plain, .632 X 1.00 X .026	50	105936X	Spacer, .781 X 1.00 X .375
11	2231J			
	Washer, Plain, .632 X 1.00 X .031	51	2226J	Washer, Plain, .632 X 1.00 X .060
11	2230J			
	Washer, Plain, .632 X 1.00 X .036	52	2272J	Seal, Felt
11	2229J			
	Washer, Plain, .632 X 1.00 X .041	53	2263J	Washer, Plain, .758 X 1.25 X .062
11	2228J			
	Washer, Plain, .632 X 1.00 X .046	54	120474X	Axle, L.H.
11	2227J			
	Washer, Plain, .632 X 1.00 X .050	55	120409X	Gear, Miter, 15T.
11	2226J			
	Washer, Plain, .632 X 1.00 X .060	56	105941X	Ring, Retaining
11	105906X			
	Washer, Plain, .632 X 1.00 X .082	57	110071X	Gear, Spur, 32T.
12	6725J			
	O-Ring	58	120952X	Shaft, Cross
13	120415X			
	Washer, Plain, .632 X 1.38 X .046	59	106592X	Gear, Miter, 15T.
14	2257J			
	Key, Woodruff, #9	60	120475X	Axle, R.H.
15	106846X			
	Ass'y., Kit, Input Shaft	61	120476X	Housing, Lower
16	106095X			
	Pinion, Bevel, 14T.	62	120961X	Puck, Friction
17	105909X			
	Ring, Retaining	63	7294J	Disc, Brake
18	105910X			
	Chain, 24 Pitches	64	108989X	Spacer
19	105911X			
	Bearing, Flange	65	120953X	Jaw, Brake
20	105912X			
	Gear, Spur, 14T.	66	120954X	Pin, Dowel
21	105913X			
	Collar, Clutch	67	120955X	Screw, Tapping, 5/16-18 X 2.25
22	120468X			
	Key, Clutch	68	108992X	Lever, Actuating
23	2242J			
	Key, Woodruff, #3	69	108996X	Washer, Plain, .321 X 1.00 X .055
24	124638X			
	Shaft, Intermediate	70	120956X	Bracket, Anti-Rotation
25	2244J			
	Key, Woodruff, #61	71	73810500	Nut, Lock, 5/16-24
26	105916X			
	Ring, Retaining	72	120416X	Grease
27	120470X			
	Sprocket, 18T.			
28	110070X			
	Spacer			
29	109253X			
	Gear, Spur, 40T.			
30	109254X			
	Gear, Spur, 35T.			
31	108980X			
	Gear, Spur, 25T.			
32	120406X			
	Gear, Spur, 22T.			
33	108455X			
	Gear, Spur, 19T.			
34	105923X			
	Spacer, 1.133 X 1.50 X .375			
35	105925X			
	Washer, Plain, .640 X 1.37 X .061			
36	2232J			
	Washer, Plain, .632 X 1.00 X .026			
37	108978X			
	Spacer, .630 X 1.00 X .169			
38	108981X			
	Ass'y., Gear, Comb., 12T. & 35T			
39	124639X			
	Shaft, Idler			
40	3422J			
	Washer, Plain, .631 X 1.00 X .015			
41	105928X			
	Sprocket, 9T.			
42	106605X			
	Gear, Bevel, 42T.			
43	108983X			
	Washer, Plain, .758 X 1.12 X .010			
43	105930X			
	Washer, Plain, .758 X 1.12 X .015			
43	105931X			
	Washer, Plain, .758 X 1.12 X .020			
43	105932X			
	Washer, Plain, .758 X 1.12 X .025			
43	3417J			
	Washer, Plain, .758 X 1.25 X .020			

# REPAIR PARTS

## 18 H. P. 44" RIDING YARD TRACTOR - MODEL NUMBER 917.254722 ENGINE BRIGGS AND STRATTON - MODEL NUMBER 422707 TYPE NUMBER 1511-01 CYLINDER, CRANKSHAFT AND ENGINE BASE GROUP



# REPAIR PARTS

18 H. P. 44" RIDING YARD TRACTOR - MODEL NUMBER 917.254722

ENGINE BRIGGS AND STRATTON - MODEL NUMBER 422707

TYPE NUMBER 1511-01

## CYLINDER, CRANKSHAFT AND ENGINE BASE GROUP

KEY NO.	PART NO.	DESCRIPTION	KEY NO.	PART NO.	DESCRIPTION
1	90576	Nut - Hex 8 - 32	38	222698	Key - Flywheel
4	27803	*Gasket - Valve Cover	39	93585	Screw - Hex Hd. Sem
5	92791	Washer - Lock, Shakeproof	40	94296	Retainer - E-Ring
6	222892	Cover - Breather Cylinder No. 2	41	491287	Foam Seal - Governor Shaft
7	93722	Terminal - Spade	42	261560	Upper Bushing - Governor
8	93394	Screw - Sem	43	262332	Lower Bushing - Governor
9	222912	Baffle - Air	44	491530	Crank - Governor
10	93777	Screw - Hex Head (Back Plate to Cylinder)	45	223882	Washer - Governor Crank (Inside)
11	93158	Screw - Sem	46	394501	Gasket Set
12	491247	Housing - Blower	47	271157	Seal - Filler Tube
13	90887	Screw - Crankcase Cover Mtg. Sem	48	93469	Screw - Hex Head
		NOTE: USES 92228 LOCKWASHER	49	212337	Gear - Cam
14	270981	*Gasket - Crankcase	50	222875	Clamp - Oil Filler
15	212455	Cover Plate - Crankcase	51	280224	Tube - Oil Filler
16	261463	+Seat - Intake Valve (Standard)	52	271170	Seal - Oil Filler Cap
17	210940	+Seat - Exhaust Valve (Standard)	53	394020	Cap and Dipstick - Oil Filler
18	212462	Head - Cylinder No. 2	54	394394	Dipstick and Tube Assembly (Inc. Key Nos. 47, 48, 50, 51, 52 & 53)
19	93211	Screw - Cylinder Head (2 - 21/32" Long)	55	390419	Valve - Exhaust
21	93686	Screw - Hex Head (10 - 32 x 5/8)	56	261528	Valve - Intake
22	92290	Washer - Lock (No. 10 x 1/16 x 3/64)	57	231445	Gear - Timing
23	393415	Oil Slinger Assembly	58	393606	Seal Assembly and Retainer
4	260924	Lock - Piston Pin	59	26828	Spring - Exhaust Valve
25	394959	Ring Set - Piston (Standard)	60	292260	Rotocoil - Exhaust Valve
25	394960	Ring Set - Piston (.010" O.S.)	61	93630	Retainer - Exhaust Valve Rotocoil
25	394961	Ring Set - Piston (.020" O.S.)	62	221596	Retainer - Intake Valve
25	394962	Ring Set - Piston (.030" O.S.)	63	65906	Spring - Intake Valve
26	394955	Piston Assembly (Standard)	64	261368	Tappet - Valve
		(Inc. Key Nos. 24 & 25)	65	394028	Crankshaft
26	394956	Piston Assembly (.010" O.S.)			NOTE: ORDER NO. 94196 FOR TIMING GEAR RETAINING DEVICE
26	394957	Piston Assembly (.020" O.S.)	66	261961	+Guide - Exhaust Valve
26	394958	Piston Assembly (.030" O.S.)			NOTE: 231218 GUIDE INTAKE (BRASS)
27	299691	Pin Assembly - Piston (Standard)			Cylinder Assembly (Inc. Key No. 68)
		(Inc. Key No. 24)	67	491730	Connector - Impulse Pump
27	391286	Pin Assembly - Piston (.005" O.S.)	68	230318	Plug - Spark (Resistor) Champion RJ-12 or equivalent
28	394348	Gear - Governor	69	394539	Elbow - Spark Plug
29	222773	Washer - Thrust			Tube Breather
30	394306	Rod Assembly - Connecting	70	66538	Filter - Fuel (In Fuel Line to Tank)
		(Inc. Key Nos. 31 & 32)	72	280225	Head - Cylinder No. 1
		NOTE: FOR CONNECTING ROD WITH .020" UNDERSIZE CRANKPIN BORE, ORDER NO. 397158	73	394358	*Gasket - Cylinder
			74	212461	Back Plate Assembly
31	92909	Screw - Connecting Rod	75	271867	+Bearing - Cylinder
32	220863	Washer	76	491304	Seal - Oil
33	291675	Seal - Oil	77	399265	Wire - Ground
34	91084	Plug - Oil Drain	78	391086	Line - Fuel (28" cut to required length) (Inc. Key No. 81)
35	393552	Base Assembly - Crankcase	79	391115	Clamp - Fuel Line
36	271868	*Gasket - Cylinder Head No. 2	80	299146	Breather Assembly No. 1
37	271142	*Gasket - Crankcase Cover (1/64" thick)	81	93053	Screw - Hex Head
37	271188	*Gasket - Crankcase Cover (.005" thick)	82	393370	Bracket - Choke Cable
37	271189	*Gasket - Crankcase Cover (.009" thick)	83	93496	Clamp - Casing
			84	223890	
			85	221535	

\*INCLUDED IN GASKET SET 394501

+SPECIAL TOOLS REQUIRED TO INSTALL

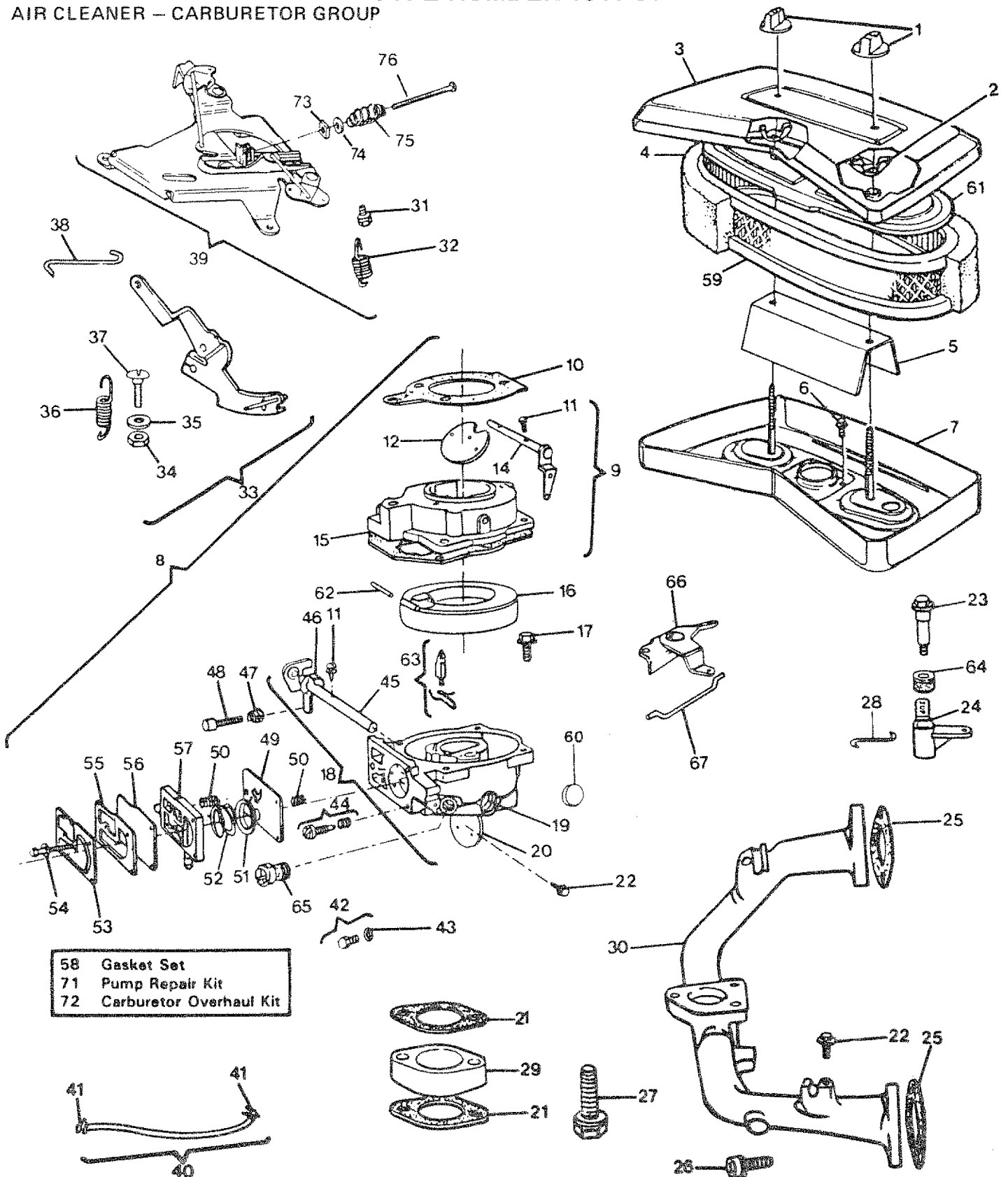
# REPAIR PARTS

18 H. P. 44" RIDING YARD TRACTOR - MODEL NUMBER 917.254722

ENGINE BRIGGS AND STRATTON - MODEL NUMBER 422707

TYPE NUMBER 1511-01

## AIR CLEANER - CARBURETOR GROUP



- |    |                         |
|----|-------------------------|
| 58 | Gasket Set              |
| 71 | Pump Repair Kit         |
| 72 | Carburetor Overhaul Kit |

# REPAIR PARTS

18 H. P. 44" RIDING YARD TRACTOR - MODEL NUMBER 917.254722  
ENGINE BRIGGS AND STRATTON - MODEL NUMBER 422707

TYPE NUMBER 1511-01

## AIR CLEANER – CARBURETOR GROUP

KEY NO.	PART NO.	DESCRIPTION	KEY NO.	PART NO.	DESCRIPTION
1	212706	Knob - Air Cleaner	38	261586	Link - Governor
2	94289	Nut - Hex	39	491282	Plate Assembly - Governor Control
3	223579	Cover - Air Cleaner	40	393815	Impulse Line and Clamp Assembly (Inc. Key No. 41)
4	271271	Element - Air Cleaner	41	93053	Clamp - Fuel Line
5	224039	Mounting Strap Assembly - Air Cleaner	42	397882	Plug and Seal, Solenoid
6	94166	Screw - Hex Head	43	280474	O-Ring Seal
7	398826	Body - Air Cleaner	44	491538	+ Valve Assembly - Carburetor Idle
8	491535	Carburetor Assembly (Inc. Key Nos. 9, 10, 11, 12, 13, 14, 15, 16, 17, 18, 19, 20, 42, 43, 44, 45, 46, 47, 48, 49, 50, 51, 52, 53, 54, 55, 56, 57, 62 & 63)	45	392672	Shaft and Lever - Throttle
9	399535	Body Assembly - Upper Carburetor	46	271013	+ Washer - Choke Shaft
10	271411	Gasket - Air Cleaner	47	26157	Spring - Throttle Adjustment
11	93499	Screw - Throttle and Choke	48	91920	Screw - Machine Fill. Hd. (8 - 32 x 5/8)
12	223534	Valve - Choke	49	270988	x Diaphragm
14	392673	Shaft and Lever - Choke	50	261358	x Spring
15	271607	+ Gasket - Carburetor Body	51	221377	x Cap - Spring
16	298514	Float - Carburetor	52	261395	x Spring - Pump
17	94152	Screw - Hex Head Sem (10 - 32 x 3/4)	53	223688	Cover - Diaphragm
18	491543	Body - Lower Carburetor (Inc. Key Nos. 11, 19, 20, 45 & 46)	54	93829	Screw - Diaphragm - Damping
19	231209	Bushing - Throttle Shaft	55	271025	x Gasket - Carburetor Pump
20	221939	Valve - Throttle	56	270989	x Diaphragm - Damping
21	271412	+ * Gasket - Carburetor and Intake Elbow	57	280197	Body - Pump
22	93897	Screw - Sem	58	394501	Gasket Set
23	93971	Screw - Hex Head	59	394019	Cartridge - Air Cleaner
24	280818	Crank - Bell	60	223472	Plug - Welch
25	270884	* Gasket - Intake Manifold Mounting	61	223714	Cartridge Plate - Air Cleaner
26	93208	Screw - Intake Manifold Mounting	62	230896	+ Pin - Float Hinge
27	93970	Screw - Hex Head	63	394681	+ Valve - Fuel Inlet
28	261587	Link - Throttle	64	271013	Washer
29	280319	Spacer - Carburetor	65	231338	° Jet - Needle Valve (Fixed)
30	213290	Manifold Assembly - Intake	66	490207	Crank - Bell
31	93949	Screw - Sem	67	262375	Link
32	262351	Spring - Governor	71	393397	Repair Kit - Pump
33	491297	Lever Assembly - Governor (Inc. Key Nos. 34, 35 & 37)	72	491539	Overhaul Kit - Carburetor
34	92278	Nut - Hex (10 - 24)	73	94298	Nut - Square
35	222289	Washer	74	223882	Washer
36	261563	Spring - Governor Idle	75	262337	Spring - Compression
37	93853	Bolt - Governor Lever	76	94297	Screw - Pan Head

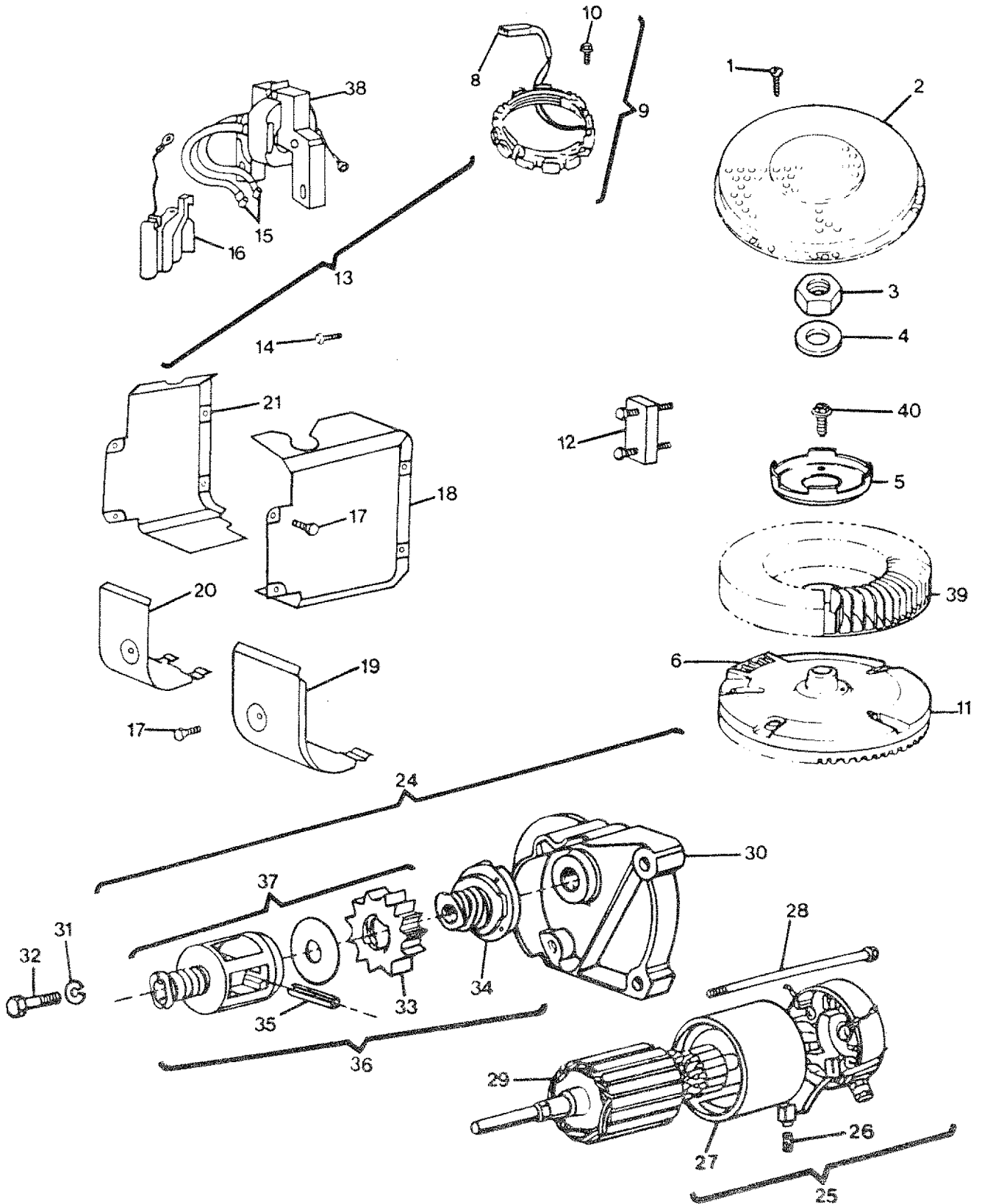
\*INCLUDED IN GASKET SET 394501  
+INCLUDED IN CARBURETOR OVERHAUL KIT 491539  
xINCLUDED IN CARBURETOR OVERHAUL KIT 491539 AND PUMP REPAIR KIT 393397  
°HIGH ALTITUDE — JET NEEDLE VALVE — PART NO. 231333

# REPAIR PARTS

18 H. P. 44" RIDING YARD TRACTOR - MODEL NUMBER 917.254722  
ENGINE BRIGGS AND STRATTON - MODEL NUMBER 422707

TYPE NUMBER 1511-01

ALTERNATOR AND STARTER MOTOR GROUP





# REPAIR PARTS

18 H. P. 44" RIDING YARD TRACTOR - MODEL NUMBER 917.254722

ENGINE BRIGGS AND STRATTON - MODEL NUMBER 422707

TYPE NUMBER 1511-01

## ALTERNATOR AND STARTER MOTOR GROUP

KEY NO.	PART NO.	DESCRIPTION	KEY NO.	PART NO.	DESCRIPTION
1	94326	Screw - Sem	21	222848	Cover - Air Guide
2	222673	Screen - Flush Rotating	24	394808	Motor - Starting (Inc. Key Nos. 25, 26, 27, 28, 29, 30, 33, 34, 35, 36 & 37)
3	230674	Nut - Hex	25	395537	Commutator End Cap Assembly Starter (Inc. Key No. 26)
4	222511	Washer - Spring	26	395538	Brush Set
5	223726	Retainer - Fan	27	393825	Housing Assembly
6	491180	Flywheel and Ring Gear Assembly - Magneto	28	94003	Thru Bolt
8	393456	Diode and Connector Assembly	29	390837	Armature Assembly (Motor)
9	393474	Stator - Alternator (Dual Circuit) (Inc. Key No. 8)	30	394860	Drive End Cap Assembly - Starter
10	93621	Screw - Sem	31	90366	Lockwasher
11	391362	Gear - Flywheel Ring (Includes Mounting Parts)	32	91162	Screw - Hex Head (5/16 - 18 x 1-1/2)
12	19203	Puller - Flywheel (Optional Accessory)	33	280104	Gear - Starter
13	394891	Armature Group (Inc. Key Nos. 15, 16 & 38)	34	398003	Clutch Assembly - Starter
14	93381	Screw - Armature Mounting Sem	35	94288	Roll Pin
15	221798	Terminal - Ignition Cable	36	490421	Pinion Spring Kit (Inc. Key Nos. 33 & 35)
16	394970	Trigger Coil Assembly Magnatron Ignition	37	490467	Starter Drive Group (Inc. Key Nos. 33, 34, 35 & 36)
17	93163	Screw - Sem	38	394988	Armature Assembly
18	222849	Cover - Air Guide	39	280815	Fan - Flywheel
19	222847	Shield - Cylinder	40	93535	Screw - Sem
20	222846	Shield - Cylinder			

## Attachments That Add to the Usefulness of Your Craftsman Yard Tractor

Sears offers a wide variety of attachments that fit your tractor. Many of these are listed below with brief explanations of how they can help you. This list was current at the time of publication; however, it may change in future years — more attachments may be added, changes (including changes in the stock number) may be made in these attachments, or some may no longer be available.

Most of these attachments do not require additional hitches or conversion kits (those that do are indicated) and are designed for easy attaching and detaching. You may order these attachments at most Sears retail stores, catalog sales offices, and through the catalog.

LAWN SWEEPERS let you collect grass clippings and leaves.

71-24030	30-in.	9.0 cu. ft.
71-24032	32-in.	10.0 cu. ft.
71-24033 High-Performance	32 in.	11.5 cu. ft.
71-24038	38-in.	12.5 cu. ft.

LAWN VACS for powerful collections of heavy grass clippings and leaves. Wand attachment to pick up debris in hard-to-reach places.

71-2455	3HP	8 bu.	71-26471 chute
71-2452	3HP	12 bu.	71-26471 chute

CARTS make hauling easy.

71-24353	4 cu. ft.	400 lb.	Dump cart
71-24354	10 cu. ft.	1,000 lb.	Hauling cart
71-24355	10 cu. ft.	1,000 lb.	Dump cart
71-24356	14 cu. ft.	1,250 lb.	Dump cart

ROLLER for smoother lawn surface. 36-inch wide, 18 inch diameter water-tight drum holds up to 390 lb. of weight. Rounded edges prevent harm to turf. Adjustable scraper automatically cleans drum. Stock number 71-24084.

SPREADER/SEEDERS make seeding, fertilizing, and weed killing easy. Broadcast spreaders are also useful for granular de-icers and sand.

- 71-24194 Drop type, 36 inch. 12 in. semi-pneumatic wheels. 100 lb. capacity steel hopper.
- 71-24394 Broadcasts over a 5 to 8 foot swath. 70 lb. capacity steel hopper. Noncorrosive spreading spinner, nylon gear box, stainless steel shaft.
- 71-24395 Broadcasts 8 to 10 foot swath. 160 lb. capacity.No-rust polypropylene hopper and impeller. Vinyl hopper cover.

CORING AERATOR takes small plugs out of soil to allow moisture and nutrients to reach grass roots. 36-inch swath. 24 hardened steel coring tip. 150 lb. capacity weight tray. Stock number 71-25351

AERATOR promotes deep root growth for a healthy lawn. Tapered 2.5" steel spikes mounted on 10-in. diameter discs puncture holes in soil at close intervals to let moisture soak it. Steel weight tray for increased penetration. Stock number 71-2435.

DETHATCHER loosens and flips thatch and matted leaves to lawn surface for easy pick up. Twenty spring tine teeth. Useful to prepare bare areas for reseeding. 40 inch rear mount, Stock number 71-24313; 38 inch front mount, Stock number 71-24301

SPRAYERS use 12-volt DC electric motor that connects to the tractor battery or other 12-volt source. Includes booms for automatic spraying when pulling, and hand held wand for spot spraying. Wand has adjustable spray pattern. For applying herbicides, insecticides, fungicides, and liquid fertilizers.

- 71-2458 50 psi maximum pressure with 12 foot wand length. Sprays up to 25 feet with wand.
- 71-24398 25 psi maximum pressure with 10 foot wand length. Sprays up to 18 feet with wand.

SNOW BLADE for snow removal only. 14 inch high, 42 inch wide blade clears 38 inch path when angled left or right. Raises, lowers with side lever. Adjustable skids: replaceable, reversible scraper bar. (Use with tire chains, wheel weights, or rear drawbar weight). Stock number 71-24407.

SNOWTHROWER has 40-inch swath. Drum-type auger handles powdery and wet/heavy snow. Mounts easily with simple pin arrangement. Discharge chute adjusts to 210 degree arc from tractor seat. 6-inch diameter spout discharges snow 10 to 50 ft. Lift controlled at tractor seat. (Use with tire chains, wheel weights, or rear drawbar weight). Stock No. 71-24072.

TIRE CHAINS are heavy duty; closely spaced extra-large cross links give smooth ride, outstanding traction. Stock No. 71-24952.

WHEEL WEIGHTS for rear wheels provide needed traction for snow removal or dozing heavy materials. In pairs. Stock No. 71-24435 (33 lb. each)

TRACTOR CAB has heavy duty vinyl fabric over tubular steel frame, ABS plastic top; clear plastic windshield offers 360 degree visibility. Hinged metal frame doors with catch. Keeps operator warm and dry. Remove vinyl and windshield for use as sun protector in summer. Stock No. 71-24172.

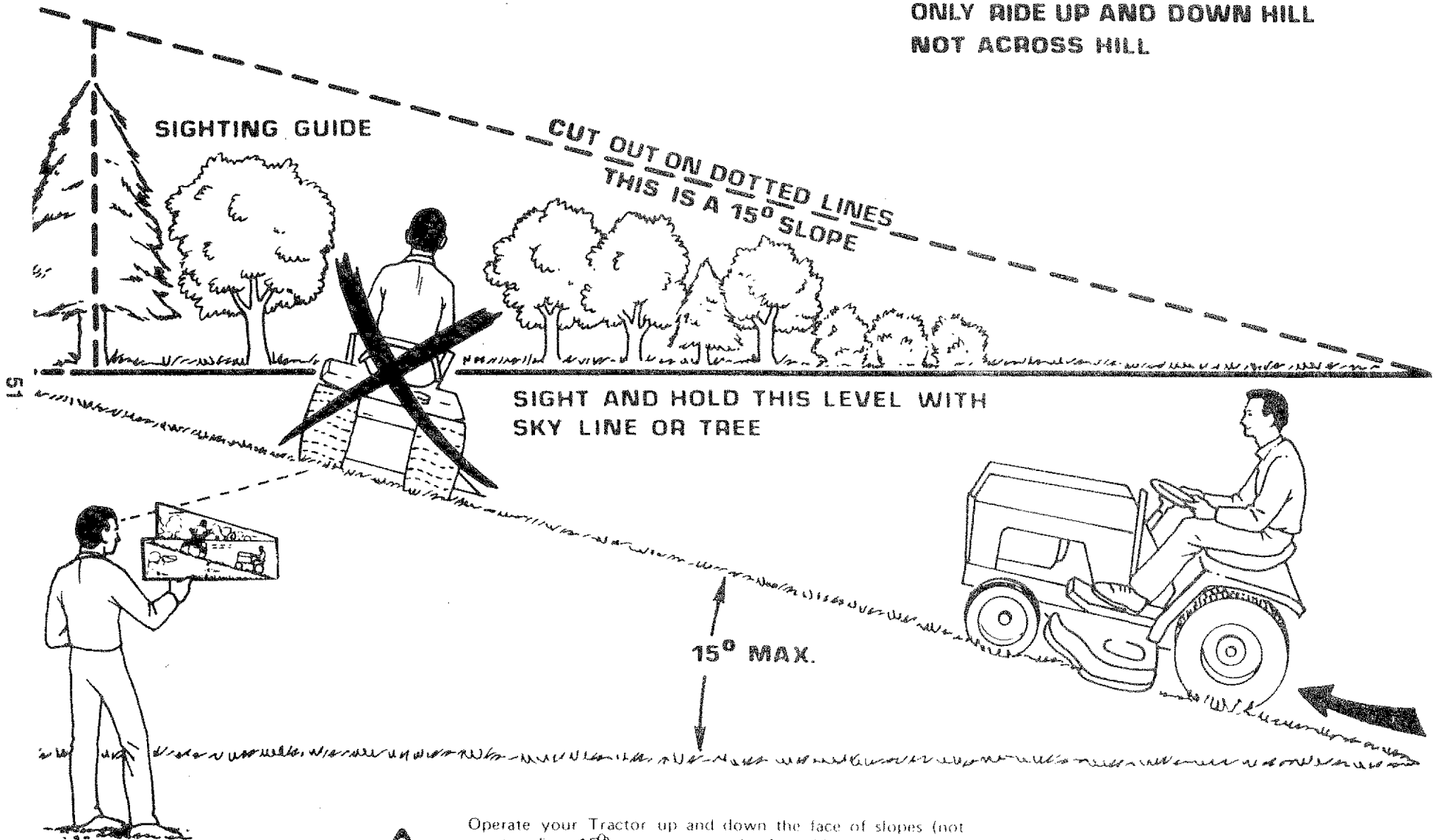
Optional accessories for tractor cab: tinted/tempered solid safety glass windshield with hand operated wiper (Stock No. 71-26168); 12-volt amber caution light for mounting on cab top (Stock No. 71-26169).

TRACTOR COVER protects tractor from weather. Made of Evolution 3 fabric (water-repellent, extremely breathable, light weight, soft, non-abrasive pliable in all temperatures, durable, stain-tear-puncture resistant, will not shrink or stretch). Stock No. 71-24601.

TILLER cultivates and prepares soil in one operation. Uses PTO from tractor, 12 counter-rotating blades break ground with upper-cut action, then deflects and retills it for a soft, aerated soil. Chain-Drive transmission. Tills 21-inch path, 6-inches deep. (Use chains and wheel weights). Stock No. 71-25246

# SUGGESTED GUIDE FOR SIGHTING SLOPES FOR SAFE OPERATION

ONLY RIDE UP AND DOWN HILL  
NOT ACROSS HILL



Operate your Tractor up and down the face of slopes (not greater than 15°); never across the face. Make turns gradually to prevent tipping or loss of control. Exercise extreme caution when changing direction on slopes.



**SEARS**

**OWNERS  
MANUAL**

**MODEL NO.  
917.254722**

**HOW TO ORDER  
REPAIR PARTS**

**CRAFTSMAN  
YT 18HP TWIN CYLINDER  
5 SPEED-44" MOWER  
YARD TRACTOR**

*The Model Number will be found on the Model Plate located under the seat. Always provide the Model Number when requesting service or repair parts for your Yard Tractor.*

*All parts listed herein may be ordered from any Sears Service Center/Departments and most Sears Stores.*

**WHEN ORDERING REPAIR PARTS, ALWAYS GIVE THE FOLLOWING INFORMATION:**

- THE PART NUMBER
- THE PART DESCRIPTION
- THE MODEL NUMBER
- THE NAME OF MERCHANDISE

Your Sears merchandise has added value when you consider Sears has service units nationwide staffed with Sears trained technicians having the parts, tools and the equipment to insure that we meet our pledge to you, "We Service What We Sell".