

# INSTALLATION MANUAL

Built-in Ovens

Models:

M271

M301

ME271

ME301

ME272

ME302

MED272

MED302

MEW301

MEM271

MEM301

MEMC301

MEMW271

MEMW301

MEMCW301

PO301

POD301

PO302

POD302

PODC302

POM301

POMW301

---

# Table of Contents

<b>Safety</b> .....	<b>1</b>
Important Safety Instructions .....	1
<b>Preparation</b> .....	<b>3</b>
Before you Begin .....	3
Tools and Parts Needed .....	3
Parts Included .....	3
27" Appliances .....	3
General Information .....	3
30" Appliances .....	6
Removing Packaging .....	9
For Convection Microwave Combination Units .....	9
Preparing Oven .....	9
<b>Installation</b> .....	<b>10</b>
Electrical Installation .....	10
Oven Installation .....	12
Testing Operation .....	13
<b>Service</b> .....	<b>14</b>
Before Calling Service .....	14

This Thermador Appliance is made by  
BSH Home Appliances Corporation  
5551 McFadden Ave.  
Huntington Beach, CA 92649

Questions?

1-800-735-4328

[www.thermador.com](http://www.thermador.com)

We look forward to hearing from you!

---

# Safety

	<b>Important Safety Instructions</b>
	READ AND SAVE THESE INSTRUCTIONS

**WARNING:**

If the information in this manual is not followed exactly, fire or shock may result causing property damage or personal injury.

**WARNING:**

Do not repair or replace any part of the appliance unless specifically recommended in the manuals. Improper installation, service or maintenance can cause injury or property damage. Refer to this manual for guidance. All other servicing should be done by a qualified technician.

**Appliance Handling Safety**

Do not lift appliance by door handle. Remove the door for easier handling and installation. See instructions in Use and Care Manual.

Unit is heavy and requires at least two people or proper equipment to move.

Hidden surfaces may have sharp edges. Use caution when reaching behind or under appliance.

**Safety Codes and Standards**

This appliance complies with one or more of the following Standards:

- UL 858, The Standard for the Safety of Household Electric Ranges
- UL 923, The Standard for the Safety of Microwave Cooking Appliances
- UL 507, The Standard for the Safety of Electric Fans
- ANSI Z21.1, The American National Standard for Household Cooking Gas Appliances
- CAN/CSA-C22.2 No. 113-M1984 Fans and Ventilators
- CAN/CSA-C22.2 No. 61-M89 Household Cooking Ranges

It is the responsibility of the owner and the installer to determine if additional requirements and/or standards apply to specific installations.

**Electric Safety**

Before you plug in an electrical cord, be sure all controls are in the OFF position.

If required by the National Electrical Code (or Canadian Electrical Code), this appliance must be installed on a separate branch circuit.

**Installer** - show the owner the location of the circuit breaker or fuse. Mark it for easy reference.

**Important** - Save these instructions for the local electrical inspector's use.

Before installing, turn power OFF at the service panel. Lock service panel to prevent power from being turned ON accidentally.

Refer to data plate for more information. See "Data Plate" under "Service" for data plate location.



## Important Safety Instructions

READ AND SAVE THESE INSTRUCTIONS

Be sure your appliance is properly installed and grounded by a qualified technician. Installation, electrical connections and grounding must comply with all applicable codes.

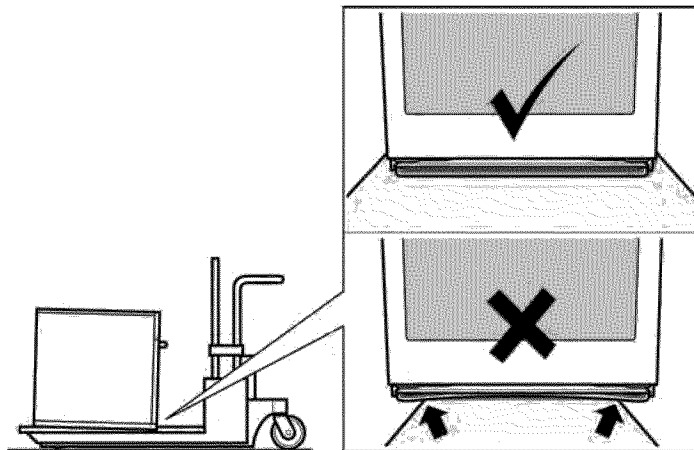
### Related Equipment Safety

Remove all tape and packaging before using the appliance. Destroy the packaging after unpacking the appliance. Never allow children to play with packaging material.

Never modify or alter the construction of the appliance. For example, do not remove leveling legs, panels, wire covers or anti-tip brackets/screws.

### Transport

To avoid damage to the oven vent, use the transport method shown in the picture below.



# Preparation

## Before you Begin

- Tools and Parts Needed
- Phillips head screwdriver
  - Measuring tape
  - Drill with bit (1/8")

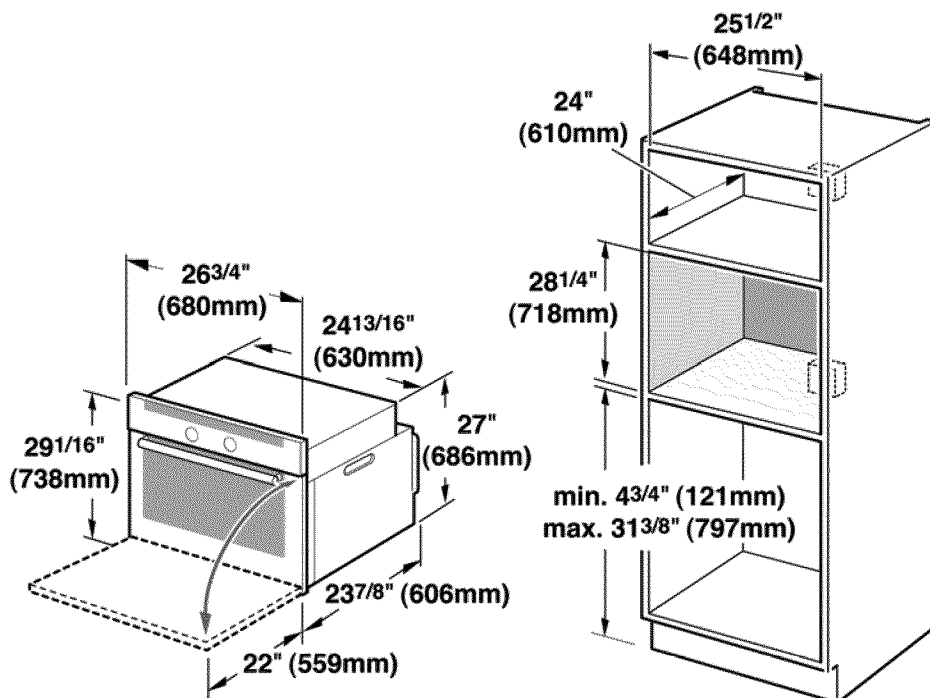
- Parts Included
- Phillips head screws (6)

## 27" Appliances

### General Information

**Power Requirements** The outlet must be properly grounded in accordance with all applicable codes.

### Dimensions for 27" Wall-Mounted Units



### Single Oven 27"

It is good practice, when oven is installed at the end of a cabinet run, adjacent to a perpendicular wall or cabinet door, to allow at least 1/4" space between the side of the oven and the wall/door.

For oven support, install 2x4's extending front to back flush with the bottom and the side of the opening. The supporting base must be well secured to the floor/cabinet and level.

**Note:** The conduit box must be installed either above or below the unit. If the conduit box is installed below the unit, a 2" diameter hole or space is required between the back wall and the right rear of the 2x4 supports.

**The cabinet base must be flat and capable of supporting a weight of at least 210 lbs (95 kg).**

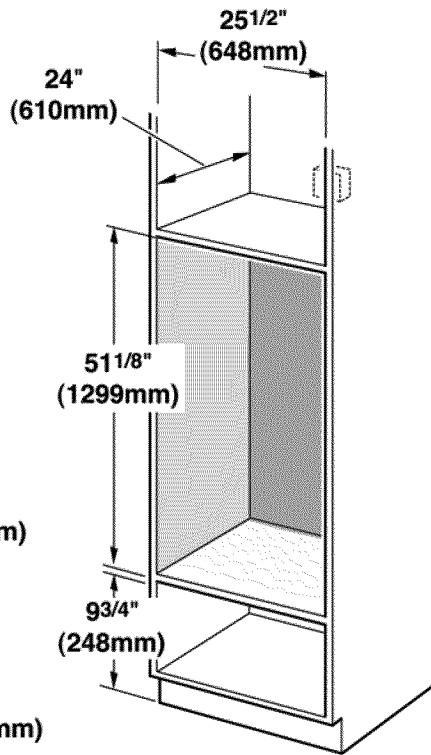
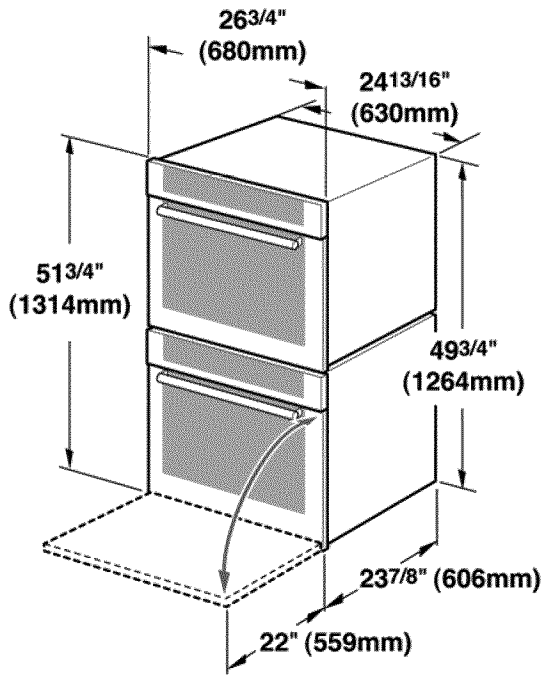
### Double Oven 27"

It is good practice, when oven is installed at the end of a cabinet run, adjacent to a perpendicular wall or cabinet door, to allow at least 1/4" space between the side of the oven and the wall/door.

For oven support, install 2x4's extending front to back flush with the bottom and the side of the opening. The supporting base must be well secured to the floor/cabinet and level.

**Note:** The conduit box must be located above the unit to facilitate connecting and servicing.

**The cabinet base must be flat and capable of supporting a weight of at least 355 lbs (161 kg).**



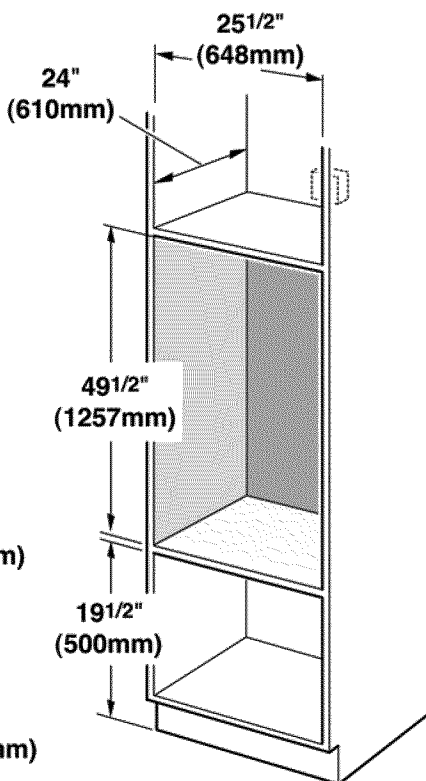
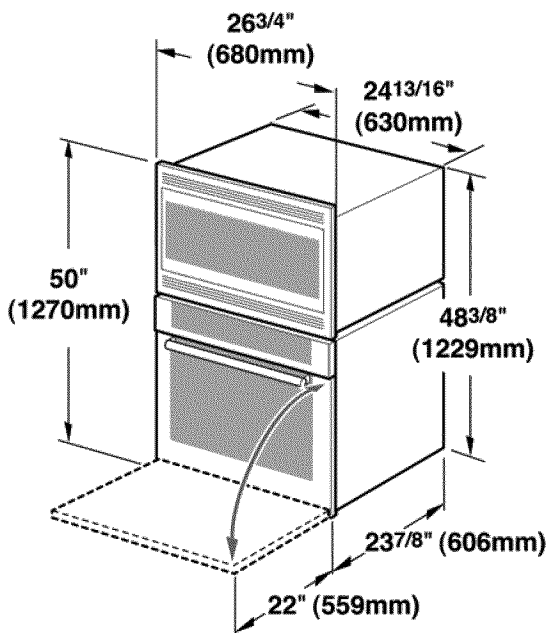
### Combo Oven with Microwave 27"

It is good practice, when oven is installed at the end of a cabinet run, adjacent to a perpendicular wall or cabinet door, to allow at least 1/4" space between the side of the oven and the wall/door.

For oven support, install 2x4's extending front to back flush with the bottom and the side of the opening. The supporting base must be well secured to the floor/cabinet and level.

**Note:** The conduit box must be located above the unit to facilitate connecting and servicing.

**The cabinet base must be flat and capable of supporting a weight of at least 330 lbs (150 kg).**



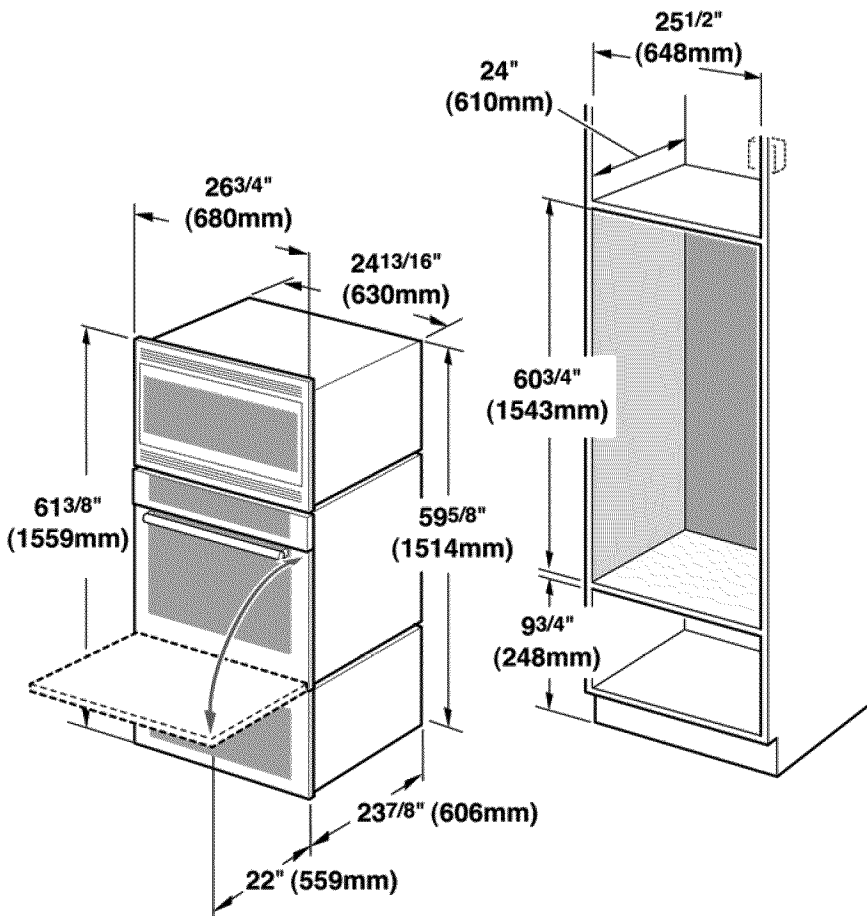
### Combo Oven with Microwave and Warming Drawer 27"

It is good practice, when oven is installed at the end of a cabinet run, adjacent to a perpendicular wall or cabinet door, to allow at least 1/4" space between the side of the oven and the wall/door.

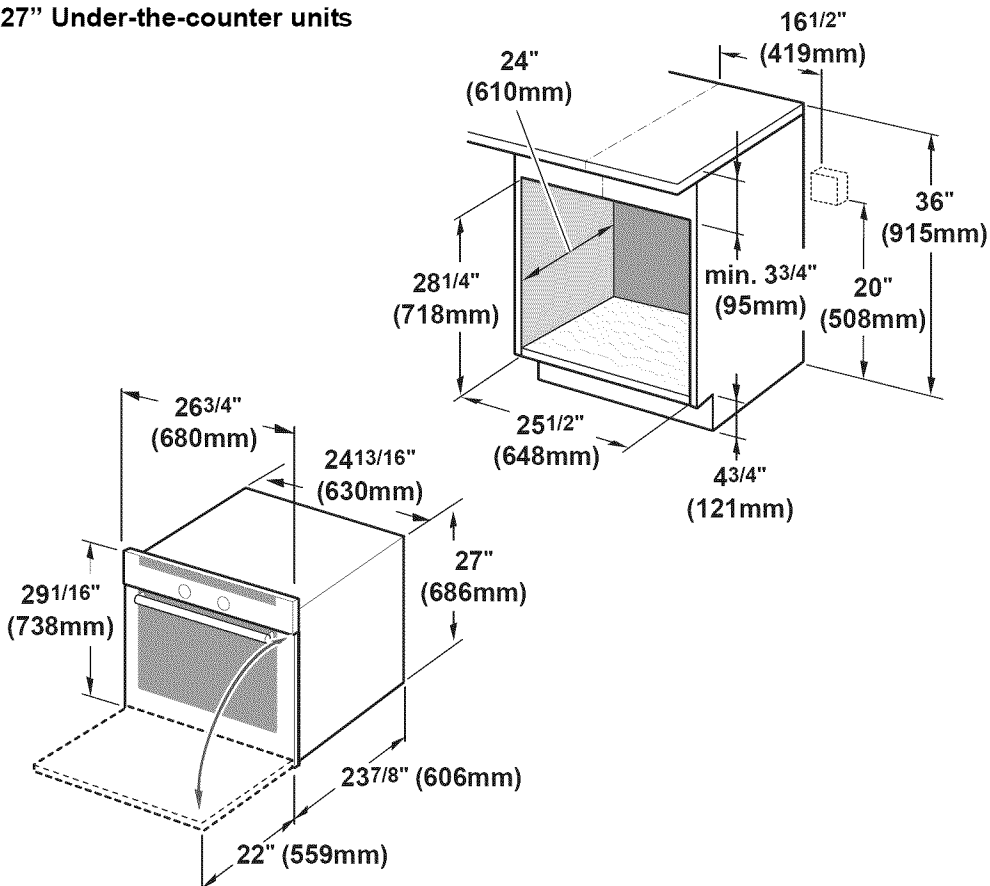
For oven support, install 2x4's extending front to back flush with the bottom and the side of the opening. The supporting base must be well secured to the floor/cabinet and level.

**Note:** The conduit box must be located above the unit to facilitate connecting and servicing.

**The cabinet base must be flat and capable of supporting a weight of at least 370 lbs (168 kg).**

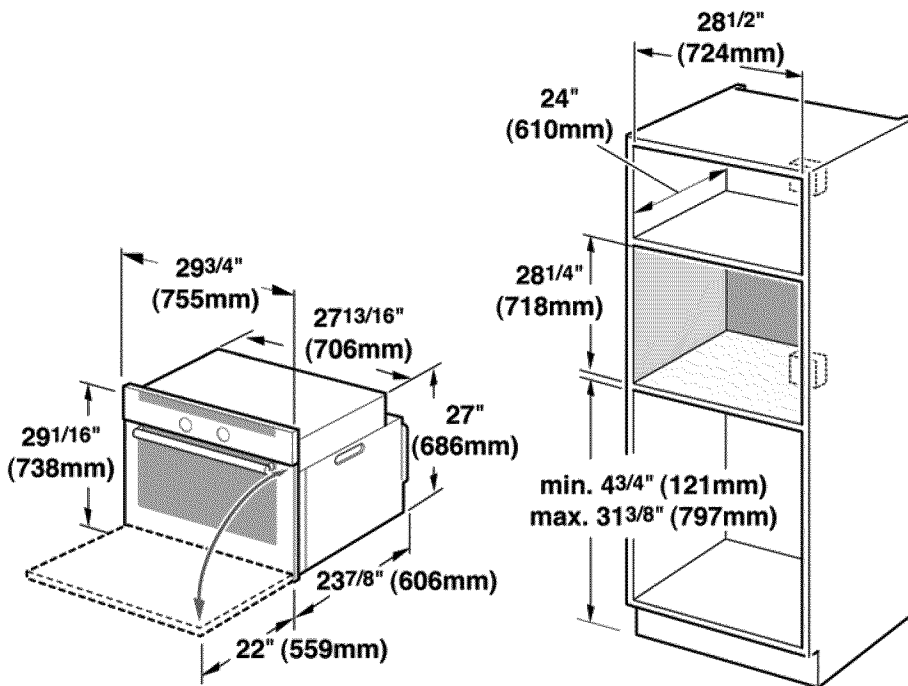


### 27" Under-the-counter units



# 30" Appliances

## Dimensions for 30" Wall-Mounted Units



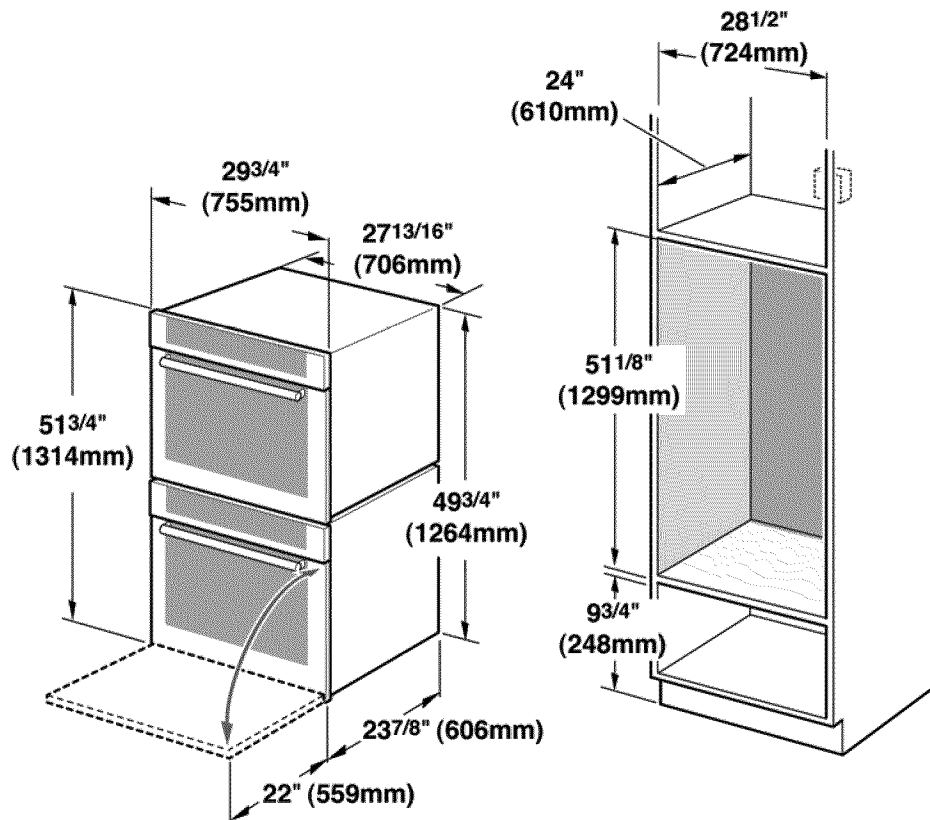
### Single Oven 30"

It is good practice, when oven is installed at the end of a cabinet run, adjacent to a perpendicular wall or cabinet door, to allow at least 1/4" space between the side of the oven and the wall/door.

For oven support, install 2x4's extending front to back flush with the bottom and the side of the opening. The supporting base must be well secured to the floor/cabinet and level.

**Note:** The conduit box must be installed either above or below the unit. If the conduit box is installed below the unit, a 2" diameter hole or space is required between the back wall and the right rear of the 2x4 supports.

**The cabinet base must be flat and capable of supporting a weight of at least 190 lbs (86 kg).**



### Double Oven 30"

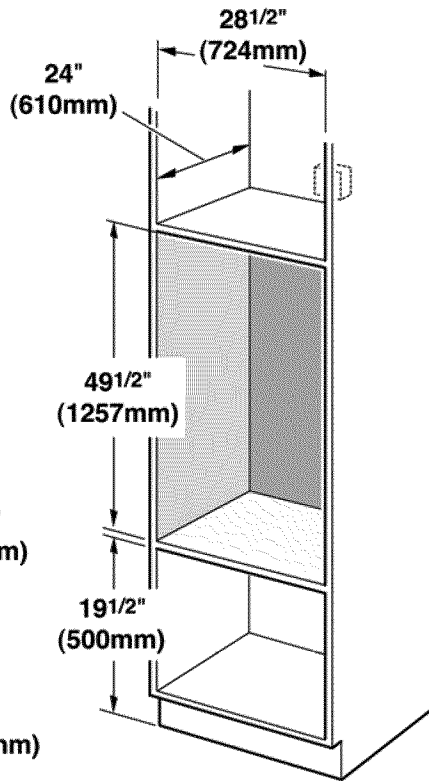
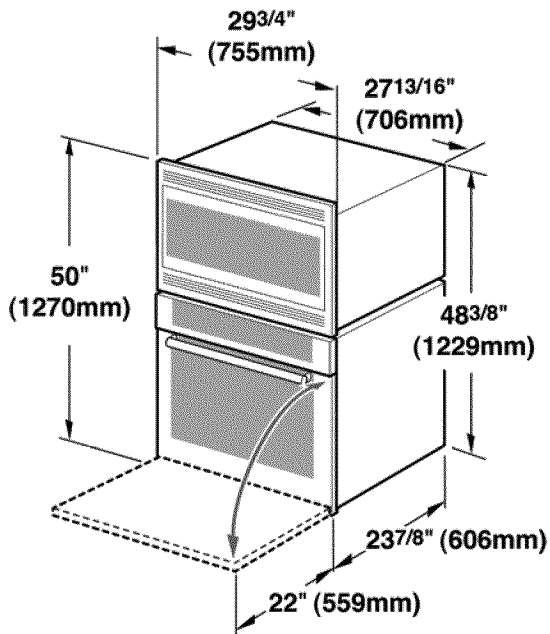
It is good practice, when oven is installed at the end of a cabinet run, adjacent to a perpendicular wall or cabinet door, to allow at least 1/4" space between the side of the oven and the wall/door.

For oven support, install 2x4's extending front to back flush with the bottom and the side of the opening. The supporting base must be well secured to the floor/cabinet and level.

**Note:** The conduit box must be located above the unit to facilitate connecting and servicing.

**The cabinet base must be flat and capable of supporting a weight of at least 330 lbs (150 kg).**





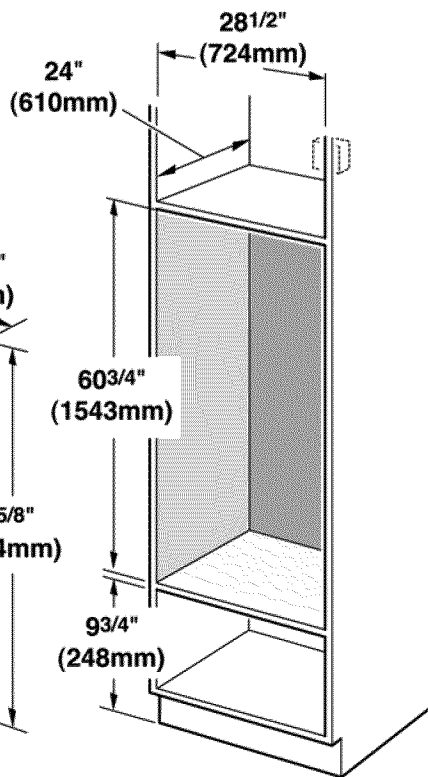
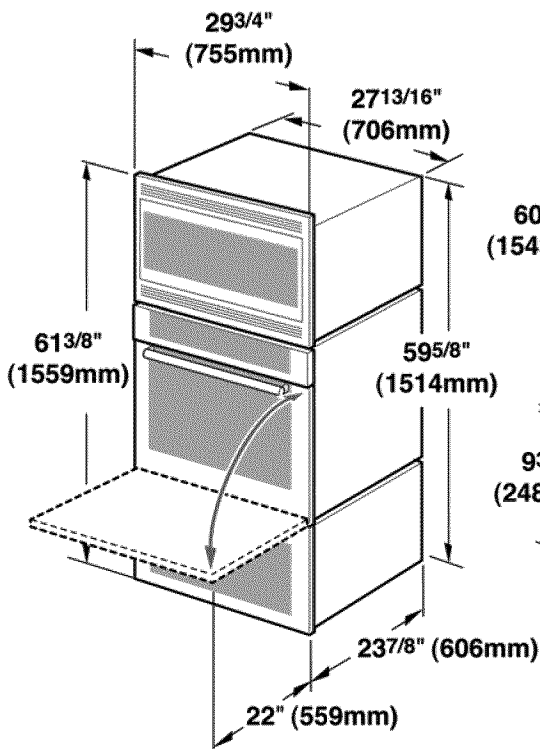
### Combo Oven with Microwave 30"

It is good practice, when oven is installed at the end of a cabinet run, adjacent to a perpendicular wall or cabinet door, to allow at least 1/4" space between the side of the oven and the wall/door.

For oven support, install 2x4's extending front to back flush with the bottom and the side of the opening. The supporting base must be well secured to the floor/cabinet and level.

**Note:** The conduit box must be located above the unit to facilitate connecting and servicing.

**The cabinet base must be flat and capable of supporting a weight of at least 290 lbs (132 kg).**



### Combo Oven with Microwave and Warming Drawer 30"

It is good practice, when oven is installed at the end of a cabinet run, adjacent to a perpendicular wall or cabinet door, to allow at least 1/4" space between the side of the oven and the wall/door.

For oven support, install 2x4's extending front to back flush with the bottom and the side of the opening. The supporting base must be well secured to the floor/cabinet and level.

**Note:** The conduit box must be located above the unit to facilitate connecting and servicing.

**The cabinet base must be flat and capable of supporting a weight of at least 310 lbs (141 kg).**

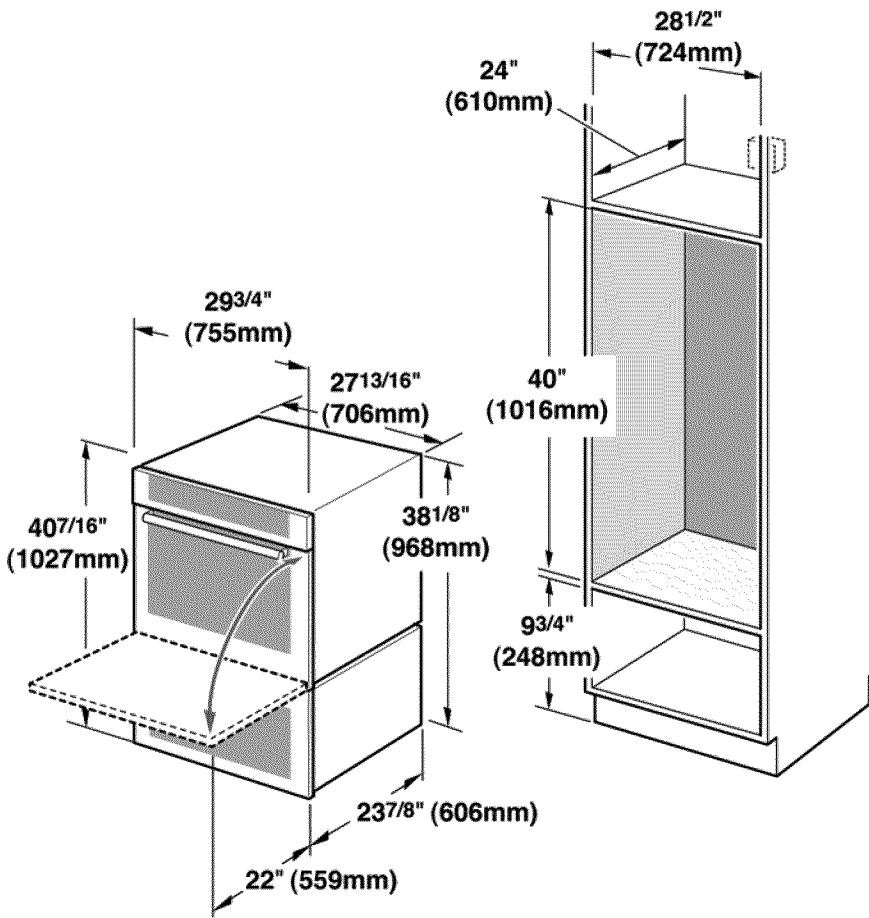
### Combo Oven with Warming Drawer 30"

It is good practice, when oven is installed at the end of a cabinet run, adjacent to a perpendicular wall or cabinet door, to allow at least 1/4" space between the side of the oven and the wall/door.

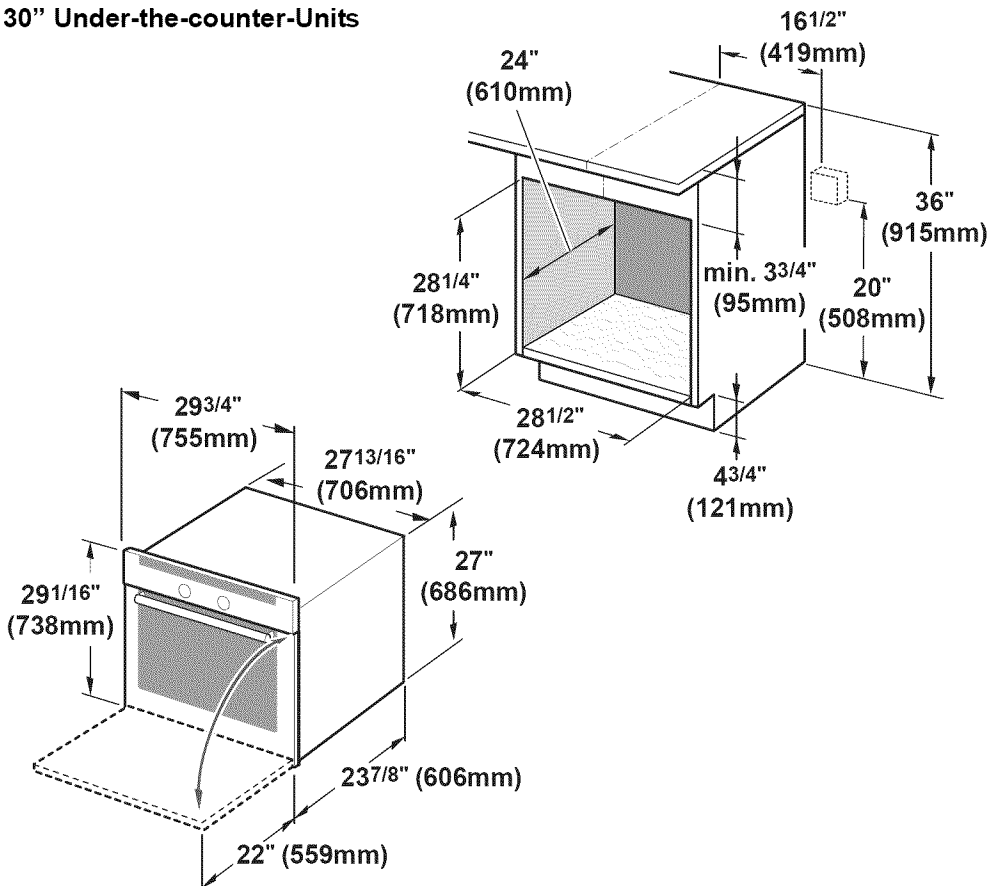
For oven support, install 2x4's extending front to back flush with the bottom and the side of the opening. The supporting base must be well secured to the floor/cabinet and level.

**Note:** The conduit box must be located above the unit to facilitate connecting and servicing.

**The cabinet base must be flat and capable of supporting a weight of at least 290 lbs (132 kg).**



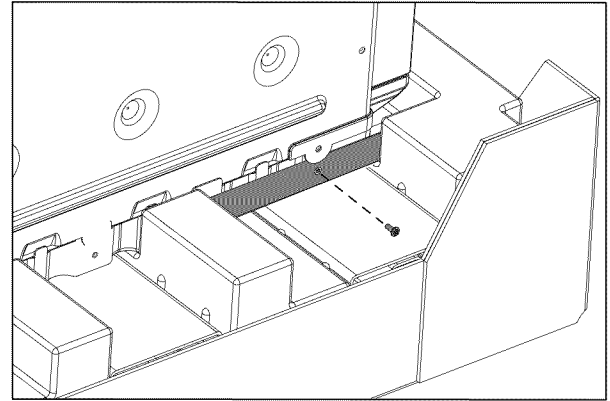
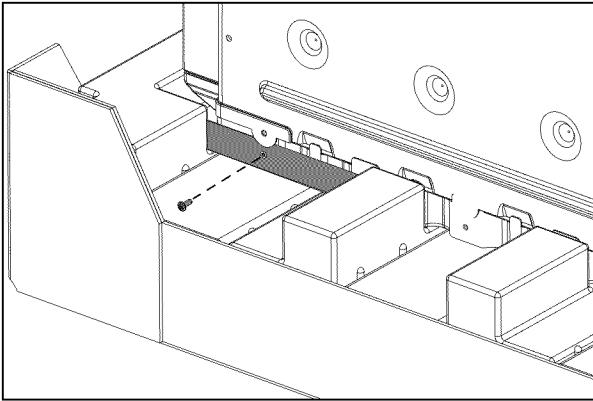
### 30" Under-the-counter-Units



# Removing Packaging

- Cut straps on outside of box.
- Remove cardboard box.
- Remove all top and side cardboard and Styrofoam braces.
- Place oven in front of cabinets where it is to be installed.
- Unscrew unit from Left and Right Brackets as show in “Left and Right Packaging Bracket Removal.”

## Left and Right Packaging Bracket Removal

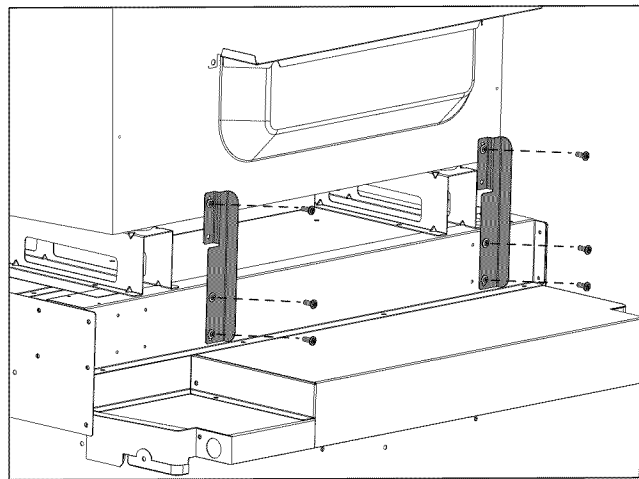


**Note:** Different models use different packaging materials. Actual brackets may look differently. Bracket remains in packaging base. Unit should stay on packaging base until ready to be lifted into cabinet cutout.

## For Convection Microwave Combination Units

Remove 2 rear support Convection Microwave Shipping Brackets prior to installation as shown in “Convection Microwave Shipping Bracket Removal.”

## Convection Microwave Shipping Bracket Removal (for Convection Microwave Combination Units Only)



## Preparing Oven

Place oven in front of cabinets where it is to be installed. Rest it on a jack or other sturdy support so that it is in line with the cabinet cutout.

---

# Installation

## Electrical Installation

All model ovens on the front cover are dual rated, designed to be connected to either 208/240V AC, 60 Hz, 4 wire, single-phase power supply.

Model	Circuit Required	
	208V, 60 Hz	240V, 60 Hz
M271, M301	25 AMP	30 AMP
ME301, ME271, PO301, POD301, DE301, DEC301	30 AMP	30 AMP
MEW301	30 AMP	40 AMP
ME302, MED302, ME272, MED272, PO302, POD302, PODC302, DE302	40 AMP	40 AMP
MEM271, MEM301, POM301, MEMC301, MEMCW301, MEMW271, MEMW301, POMW301	50 AMP	

The electrical supply should be a 4-wire single-phase AC. Install a suitable conduit box (not furnished). An appropriately-sized, UL-listed conduit connector must be used to correctly attach the conduit to the junction box.

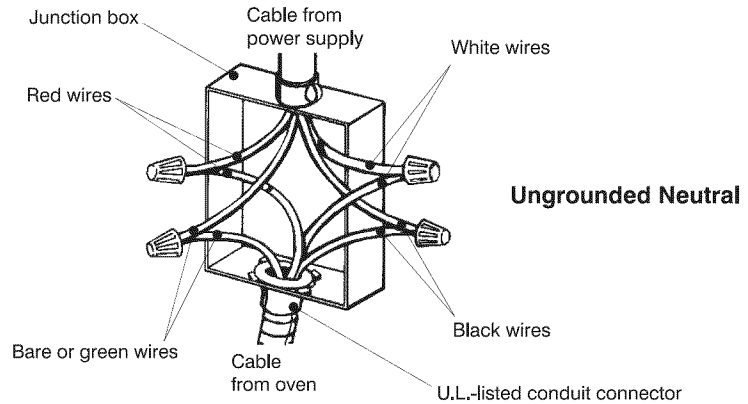
**Important:** Local Codes may vary; installation, electrical connections and grounding must comply with all applicable local codes.

If local codes permit grounding through the electrical supply neutral, connect both the white neutral wire and the bare ground wire from the oven to the white neutral electrical supply wire.

## Electrical Connection

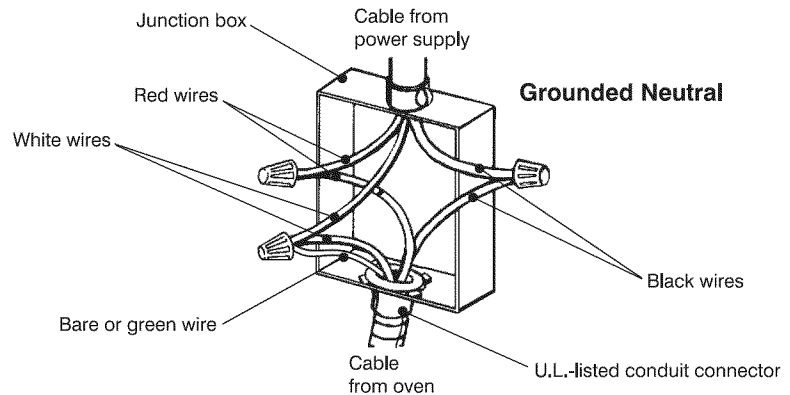
The four-wire connection is preferred, but where local codes permit, the three wire connection is also acceptable.

### Four-wire Connection



- Connect the red oven wire to the red electrical supply wire (hot wire).
- Connect the black oven wire to the black electrical supply wire (hot wire).
- Connect the white neutral oven wire to the white neutral (not bare ground) electrical supply wire.
- Connect the bare ground oven wire to the bare ground electrical supply wire.

### Three-wire Connection



- Connect red wire from oven to red wire in junction box.
- Connect black wire from oven to black wire in junction box.
- Connect both green ground wire and white wire from oven to white (or gray) neutral wire in junction box.

The conduit cable, where connected at the oven, swivels. Rotate conduit cable upward (or downward) and direct through hole prepared in cabinet to attach to J-Box.

To maintain serviceability, the flex conduit must not be shortened and should be routed to permit temporary removal of the oven.

# Oven Installation

**Note:** Before installing the oven, be sure to verify the cabinet dimensions and electrical connections.

## Removing the Oven Door

For ease of installation, some oven doors may be removed to reduce the weight of the oven by 30 lbs (14 kg) per door, before installing into the cabinet. See instructions below.

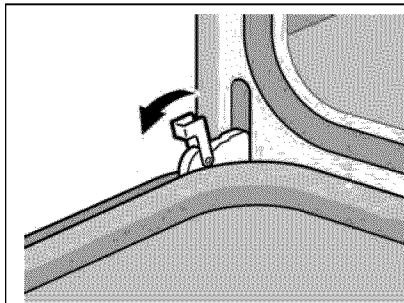


### CAUTION:

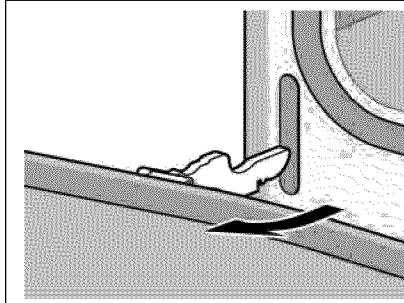
When removing the door:

- Make sure oven is cool and power to the oven has been turned off before removing the door. Failure to do so could result in electrical shock or burns.
- The oven door is heavy and fragile. Use both hands to remove the oven door. The door front is glass. Handle carefully to avoid breaking.
- Grasp only the sides of the oven door. Do not grasp the handle as it may swing in your hand and cause damage or injury.
- Failure to grasp the oven door firmly and properly could result in personal injury or product damage.
- To avoid injury from hinge bracket snapping closed, be sure that both levers are securely in place before removing the door. Also, do not force door open or closed - the hinge could be damaged and injury could result.

## To remove the oven door:



1. Be sure to read the above CAUTION before attempting to remove the door.
2. Open the door completely.
3. Flip levers on hinges toward you.

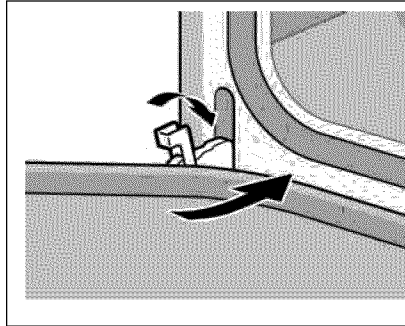


1. Close door carefully until it stops. It will be about half way closed.
2. Holding the door firmly on both sides using both hands, pull the door up and out of the hinge slots. Hold firmly; the door is heavy.
3. Place the door in a convenient and stable location for cleaning.

## Installing the Oven

1. Lift or slide unit into cabinet cutout. Do not lift appliance by door handle.
2. Push straight in until oven trim is flush with cabinet wall, being careful not to crimp flexible conduit between oven and cabinet back wall. The oven should be straight and level, not crooked.
3. Install supplied screws through tap holes in trim. (2 screws for single ovens, 4 screws for double/combo ovens)

### To replace the oven door:



1. Holding the door firmly in both hands, place hinges in hinge slots.
2. Open door all the way to expose hinges and slots.
3. Push lever down and away from you until flush with the bracket.
4. Close and open door slowly to be sure it is correctly and securely in place. Door must be straight, not crooked.

## Testing Operation

1. Turn on power at the breaker.
2. Check power at junction box using a volt meter.  
For 240 V installation, the reading between the red and black wires (line to line) should be 220 to 240 volts.  
For 208 V installation, the reading between the red and black wires (line to line) should be 190 to 208 volts.
3. Test the oven mode.  
Select the **BAKE** mode. See the Use and Care Manual for detailed operation instructions.
4. Verify that the oven light comes on and the oven begins to preheat.
5. Test the door lock.  
Set the **SELF CLEAN** mode. Confirm that the door locks when the lock icon appears in the display.
6. If installing a double oven, test the second oven as well.
7. If any of the tests do not result as explained above, contact Thermador service for assistance. Otherwise, the installation is complete at this time.

---

# Service

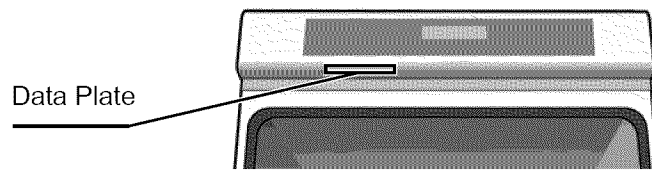
## Before Calling Service

See Use and Care Manual for troubleshooting information. Refer to the Warranty in the Use and Care Manual.

To reach a service representative, see the contact information at the front of the manual. Please be prepared with the information printed on your product data plate when calling.

## Data Plate

The data plate shows the model and serial number. Refer to the data plate on the appliance when requesting service. The data plate is located on the underside of the control panel:





---

# Contenidos

<b>Seguridad</b> .....	<b>1</b>
Instrucciones de seguridad importantes .....	1
<b>Instalación</b> .....	<b>3</b>
Antes de empezar .....	3
Herramientas y piezas necesarias .....	3
Piezas incluidas .....	3
Electrodomésticos de 27" .....	3
Información general .....	3
Electrodomésticos de 30" .....	6
Quitar el embalaje .....	9
Para los hornos combinados de microondas y convección .....	9
<b>Instalación</b> .....	<b>10</b>
Instalación eléctrica .....	10
Instalar el horno .....	12
Probar el equipo .....	13
<b>Servicio</b> .....	<b>14</b>
Antes de llamar al servicio .....	14

Este electrodomestico de Thermador es hecho por  
BSH Home Appliances Corporation  
5551 McFadden Ave.  
Huntington Beach, CA 92649

¿Preguntas?

1-800-735-4328

[www.thermador.com](http://www.thermador.com)

¡Esperamos oír de usted!

---

# Seguridad



## Instrucciones de seguridad importantes

LEA Y CONSERVE ESTAS INSTRUCCIONES

### ADVERTENCIA:

Si no sigue la información de este manual exactamente, se puede ocasionar un incendio o una descarga eléctrica que puede causar daños materiales o lesiones personales.

### ADVERTENCIA:

No repare ni cambie ninguna parte del electrodoméstico, a menos que se recomiende específicamente en los manuales. La instalación, servicio técnico o mantenimiento incorrectos pueden causar lesiones o daños materiales. Consulte este manual para su orientación. Cualquier otro tipo de reparación debe ser realizada por un técnico calificado.

### Seguridad con el manejo del electrodoméstico

No levante el electrodoméstico tomándolo del asa de la puerta. Retire la puerta para facilitar la manipulación y la instalación. Consulte las instrucciones en el Manual de uso y cuidado.

La unidad es pesada y se requieren al menos dos personas o un equipo adecuado para trasladarla.

Las superficies ocultas pueden tener bordes filosos. Proceda con cuidado al intentar tomar el electrodoméstico por la parte trasera o desde abajo.

### Códigos y normas de seguridad

Este electrodoméstico cumple con una o más de las siguientes normas:

- UL 858, Norma de seguridad para estufas eléctricas de uso doméstico (Standard for the Safety of Household Electric Ranges)
- UL 923, Norma de seguridad para electrodomésticos de cocción por microondas (Standard for the Safety of Microwave Cooking Appliances)
- UL 507, Norma de seguridad para ventiladores eléctricos (Standard for the Safety of Electric Fans)
- ANSI Z21.1, Norma nacional estadounidense para electrodomésticos a gas para cocinar de uso doméstico (American National Standard for Household Cooking Gas Appliances)
- CAN/CSA-C22.2 N.º 113-M1984, Ventiladores (Fans and Ventilators)
- CAN/CSA-C22.2 N.º 61-M89, Estufas de uso doméstico (Household Cooking Ranges)

Es responsabilidad del propietario y el instalador determinar si se aplican otros requisitos y/o normas en instalaciones específicas.

### Seguridad con la electricidad

Antes de enchufar un cable eléctrico, asegúrese de que todos los controles estén en posición OFF (Apagado).

Si el Código Nacional Eléctrico (o el Código Eléctrico Canadiense) así lo requiere, este electrodoméstico debe instalarse en un circuito derivado por separado.



# Instrucciones de seguridad importantes

## LEA Y CONSERVE ESTAS INSTRUCCIONES

**Instalador:** muestre al propietario la ubicación del disyuntor o el fusible. Márquela para recordarla más fácilmente.

**Importante:** conserve estas instrucciones para uso del inspector de electricidad local.

Antes de realizar la instalación, apague el suministro eléctrico en el panel de servicio. Trabe el panel de servicio para impedir que se encienda accidentalmente el suministro eléctrico.

Para obtener más información, consulte la placa de datos. Para conocer la ubicación de la placa de datos, consulte la sección "Placa de datos" debajo de "Servicio técnico".

Asegúrese de que el electrodoméstico sea correctamente instalado y conectado a tierra por un técnico calificado. La instalación, las conexiones eléctricas y la conexión a tierra deben cumplir con todos los códigos correspondientes.

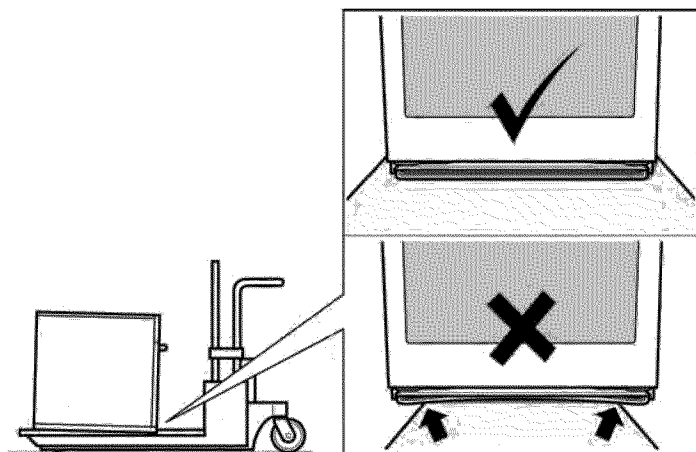
### Seguridad de los equipos relacionados

Retire toda la cinta y el embalaje antes de usar el electrodoméstico. Destruya el embalaje después de desembalar el electrodoméstico. Nunca deje que los niños jueguen con el material de embalaje.

Nunca modifique ni altere la construcción del electrodoméstico. Por ejemplo, no retire las patas niveladoras, paneles, cubiertas para cables ni soportes/tornillos antivuelco.

### Transporte

Para evitar el daño a la abertura del horno, utiliza el método del transporte mostrado en el dibujo abajo.



# Instalación

## Antes de empezar

- Herramientas y piezas necesarias
- Destornillador con cabeza Phillips
  - Cinta métrica
  - Taladro con broca (1/8")
- Piezas incluidas
- Tornillos con cabeza Phillips (6)

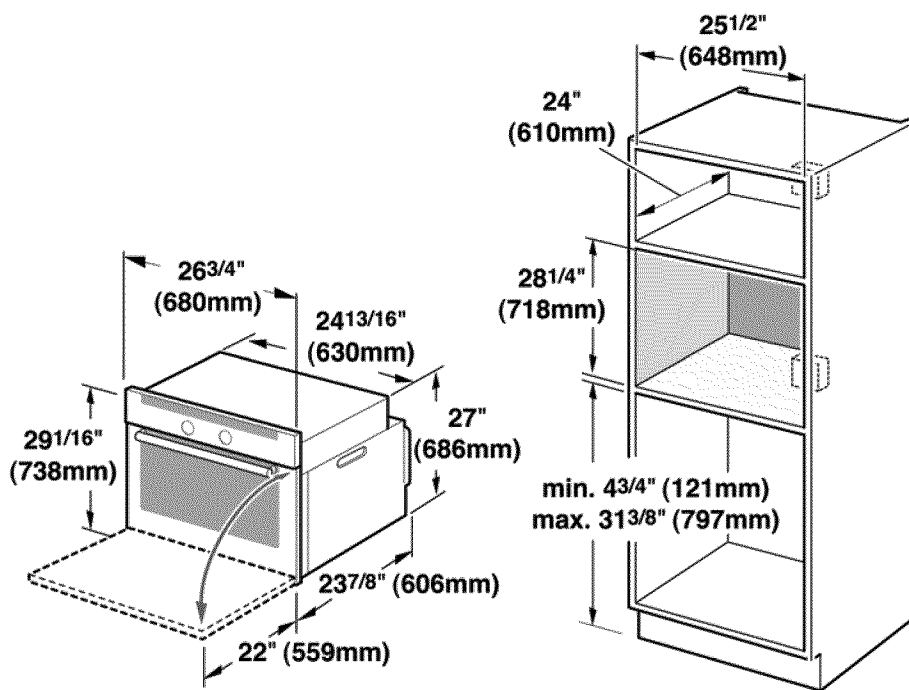
## Electrodomésticos de 27"

### Información general

#### Requisitos de electricidad

La toma de corriente debe tener la conexión a tierra adecuada de conformidad con todos los códigos correspondientes.

#### Dimensiones para unidades montadas a la pared de 27"



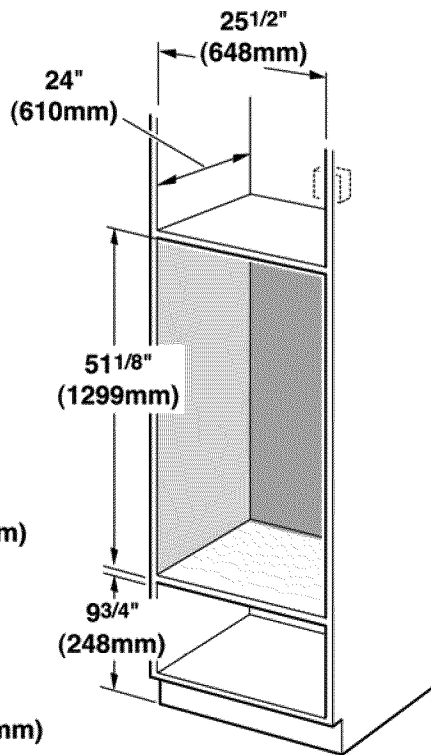
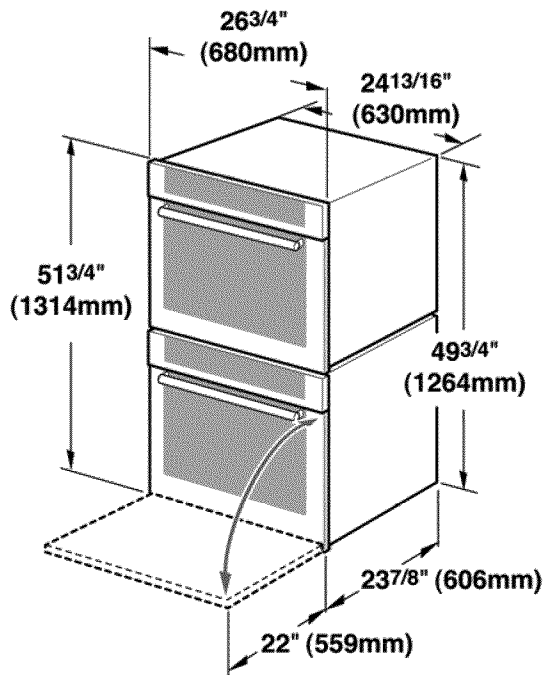
#### Horno individual de 27"

Cuando el horno está instalado al final de un gabinete, junto a una pared perpendicular o a una puerta del gabinete, se aconseja dejar un espacio de al menos 1/4" entre el costado del horno y la pared/puerta.

Para un mejor apoyo del horno, instale tablas de madera de 2 x 4 de adelante hacia atrás, que estén niveladas con la parte inferior y lateral de la abertura. La base de apoyo debe estar bien asegurada al piso/gabinete y nivelada.

**Nota:** La caja de conductos debe instalarse encima o debajo de la unidad. Si la caja de conductos se instala debajo de la unidad, se debe dejar un orificio o espacio de 2" de diámetro entre la pared trasera y la parte posterior derecha de los soportes de 2 x 4.

**La base del gabinete debe ser plana y capaz de sostener un peso de por lo menos 210 lb (95 kg).**



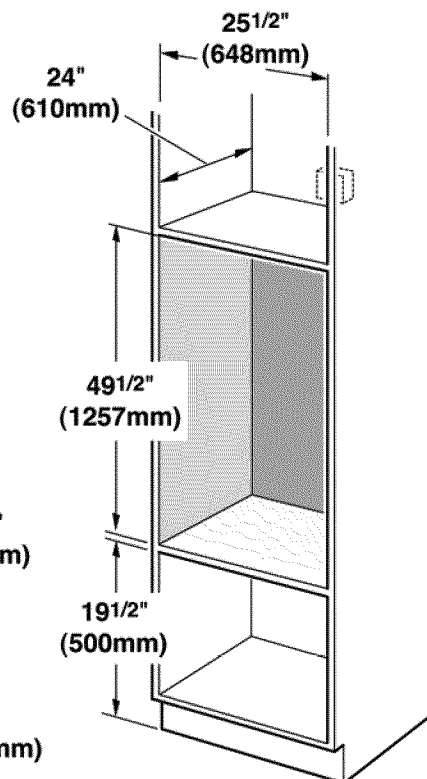
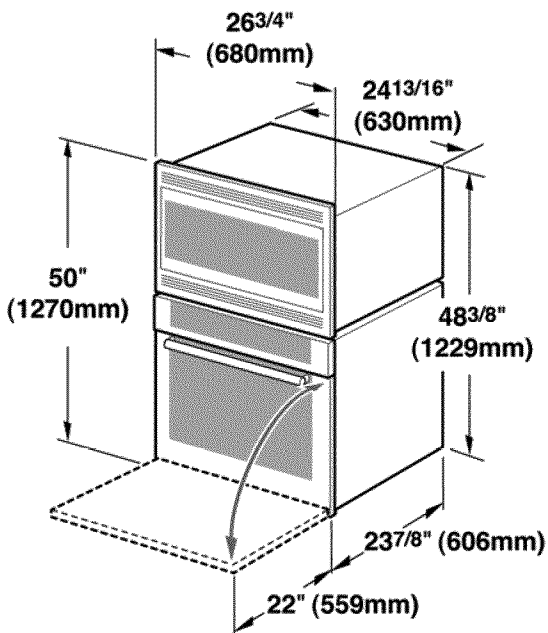
### Hornos dobles de 27"

Cuando el horno está instalado al final de un gabinete, junto a una pared perpendicular o a una puerta del gabinete, se aconseja dejar un espacio de al menos 1/4" entre el costado del horno y la pared/puerta.

Para un mejor apoyo del horno, instale tablas de madera de 2 x 4 de adelante hacia atrás, que estén niveladas con la parte inferior y lateral de la abertura. La base de apoyo debe estar bien asegurada al piso/gabinete y nivelada.

**Nota:** La caja de conductos debe estar ubicada sobre la unidad para facilitar la conexión y el servicio técnico.

**La base del gabinete debe ser plana y capaz de sostener un peso de por lo menos 355 lb (161 kg).**



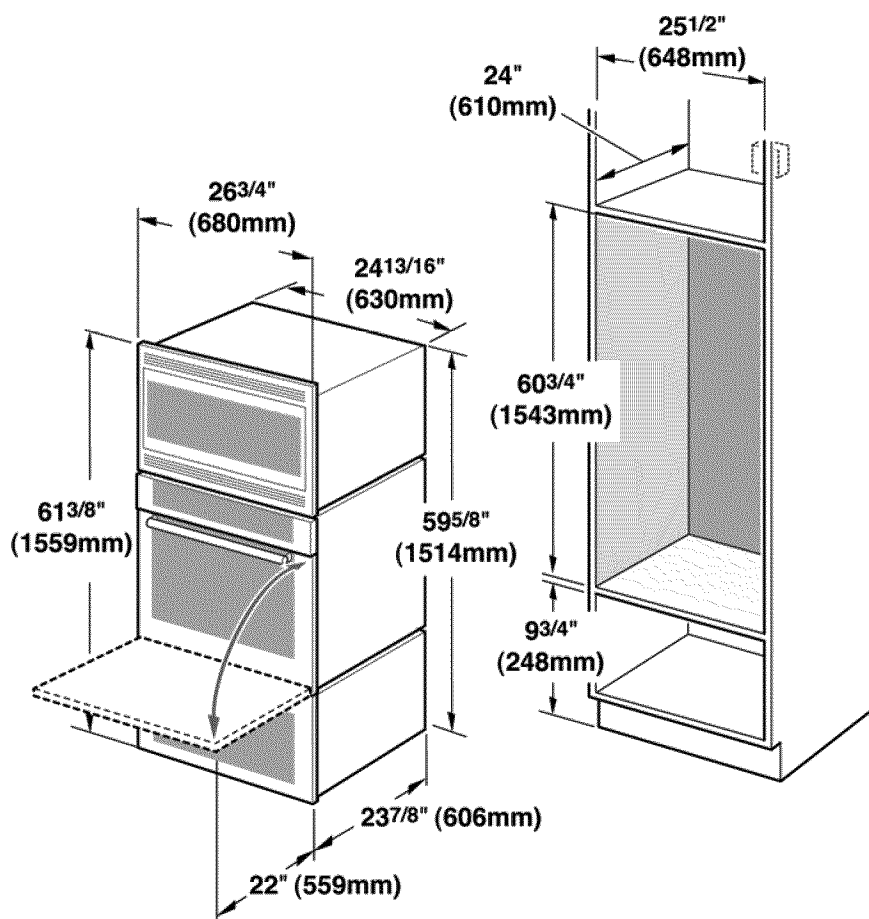
### Horno combinado con microondas de 27"

Cuando el horno está instalado al final de un gabinete, junto a una pared perpendicular o a una puerta del gabinete, se aconseja dejar un espacio de al menos 1/4" entre el costado del horno y la pared/puerta.

Para un mejor apoyo del horno, instale tablas de madera de 2 x 4 de adelante hacia atrás, que estén niveladas con la parte inferior y lateral de la abertura. La base de apoyo debe estar bien asegurada al piso/gabinete y nivelada.

**Nota:** La caja de conductos debe estar ubicada sobre la unidad para facilitar la conexión y el servicio técnico.

**La base del gabinete debe ser plana y capaz de sostener un peso de por lo menos 330 lb (150 kg).**



### Horno combinado con microondas y cajón calentador de 27"

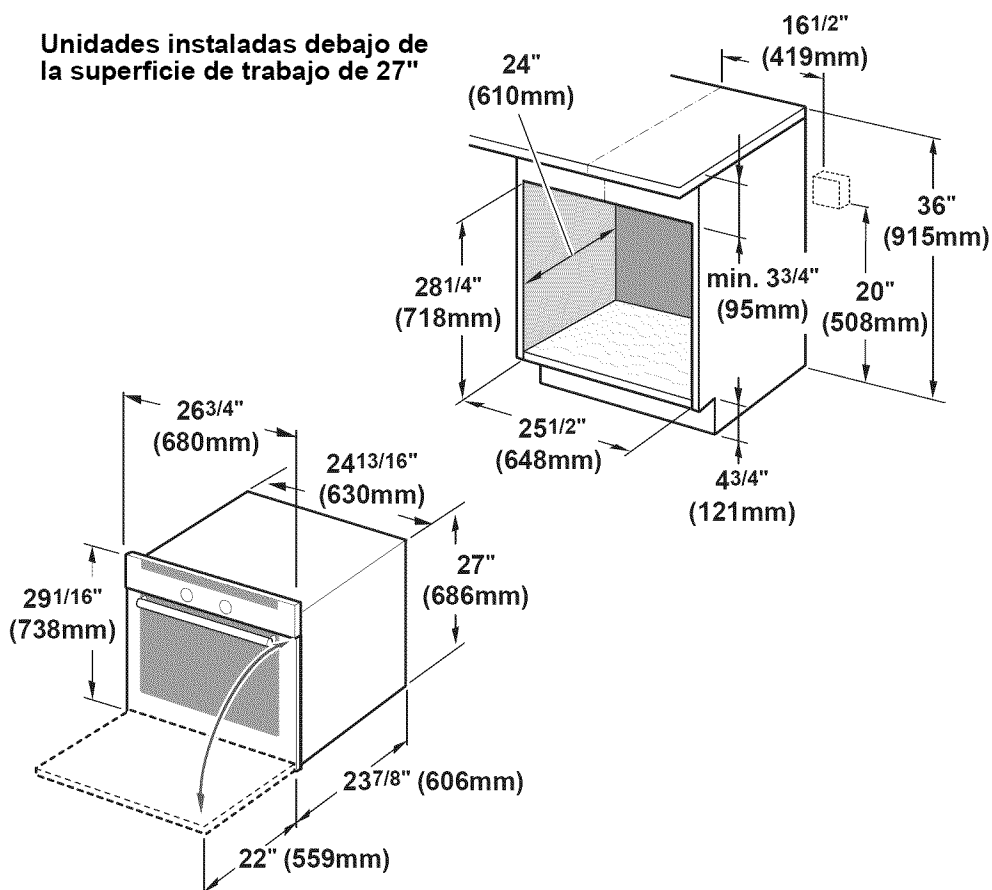
Cuando el horno está instalado al final de un gabinete, junto a una pared perpendicular o a una puerta del gabinete, se aconseja dejar un espacio de al menos 1/4" entre el costado del horno y la pared/puerta.

Para un mejor apoyo del horno, instale tablas de madera de 2 x 4 de adelante hacia atrás, que estén niveladas con la parte inferior y lateral de la abertura. La base de apoyo debe estar bien asegurada al piso/gabinete y nivelada.

**Nota:** La caja de conductos debe estar ubicada sobre la unidad para facilitar la conexión y el servicio técnico.

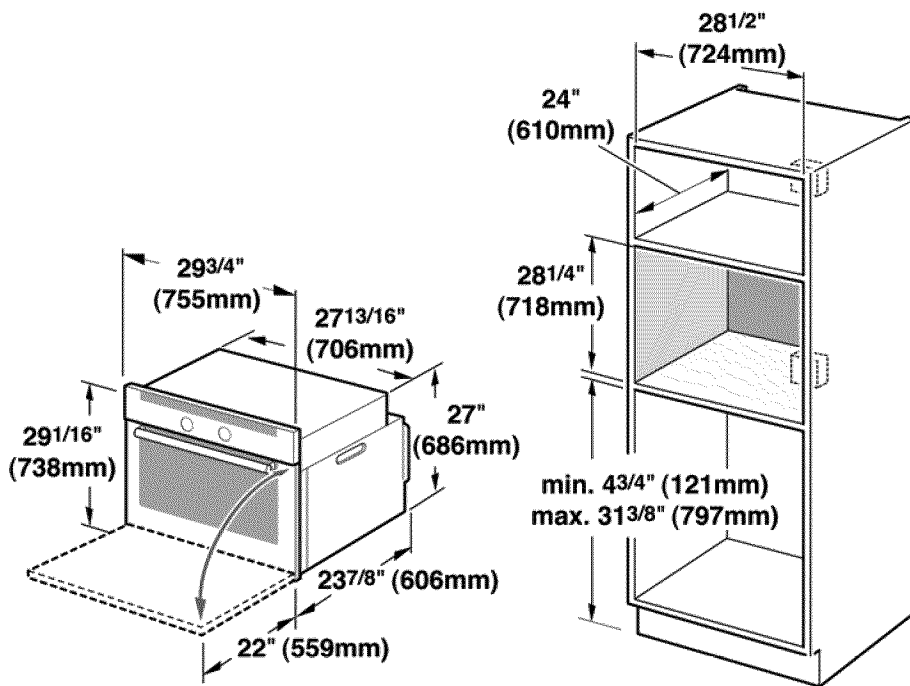
**La base del gabinete debe ser plana y capaz de sostener un peso de por lo menos 370 lb (168 kg).**

### Unidades instaladas debajo de la superficie de trabajo de 27"



# Electrodomésticos de 30"

## Dimensiones para unidades montadas a la pared de 30"



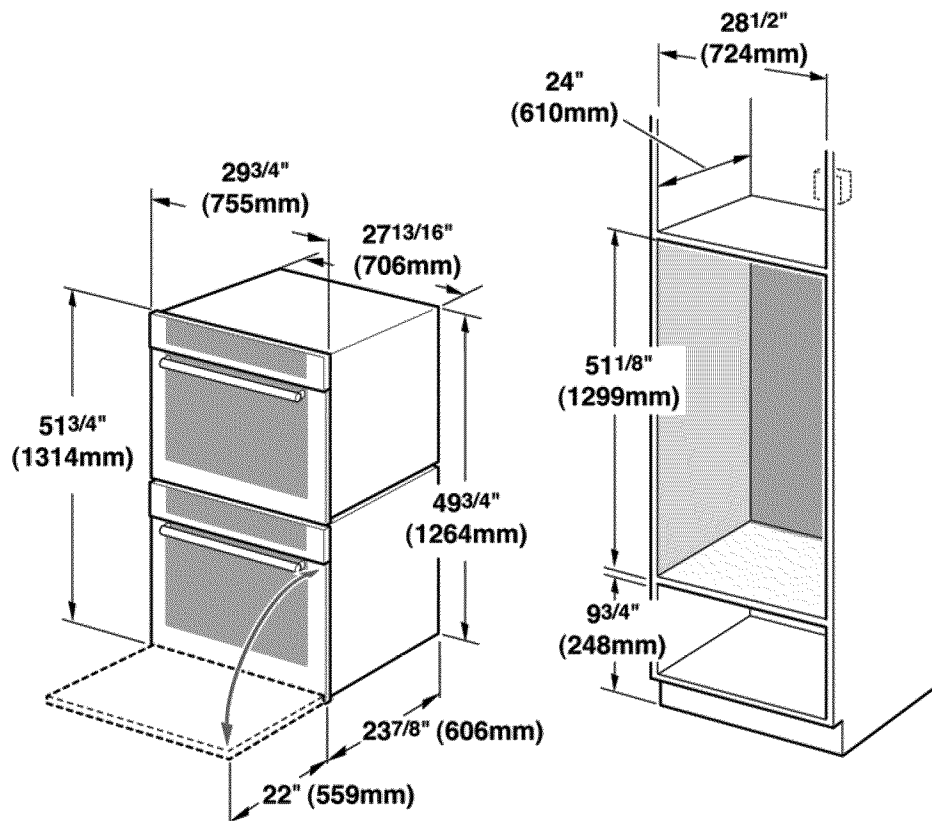
### Horno individual de 30"

Cuando el horno está instalado al final de un gabinete, junto a una pared perpendicular o a una puerta del gabinete, se aconseja dejar un espacio de al menos 1/4" entre el costado del horno y la pared/puerta.

Para un mejor apoyo del horno, instale tablas de madera de 2 x 4 de adelante hacia atrás, que estén niveladas con la parte inferior y lateral de la abertura. La base de apoyo debe estar bien asegurada al piso/gabinete y nivelada.

**Nota:** La caja de conductos debe instalarse encima o debajo de la unidad. Si la caja de conductos se instala debajo de la unidad, se debe dejar un orificio o espacio de 2" de diámetro entre la pared trasera y la parte posterior derecha de los soportes de 2 x 4.

**La base del gabinete debe ser plana y capaz de sostener un peso de por lo menos 190 lb (86 kg).**



### Hornos dobles de 30"

Cuando el horno está instalado al final de un gabinete, junto a una pared perpendicular o a una puerta del gabinete, se aconseja dejar un espacio de al menos 1/4" entre el costado del horno y la pared/puerta.

Para un mejor apoyo del horno, instale tablas de madera de 2 x 4 de adelante hacia atrás, que estén niveladas con la parte inferior y lateral de la abertura. La base de apoyo debe estar bien asegurada al piso/gabinete y nivelada.

**Nota:** La caja de conductos debe estar ubicada sobre la unidad para facilitar la conexión y el servicio técnico.

**La base del gabinete debe ser plana y capaz de sostener un peso de por lo menos 330 lb (150 kg).**

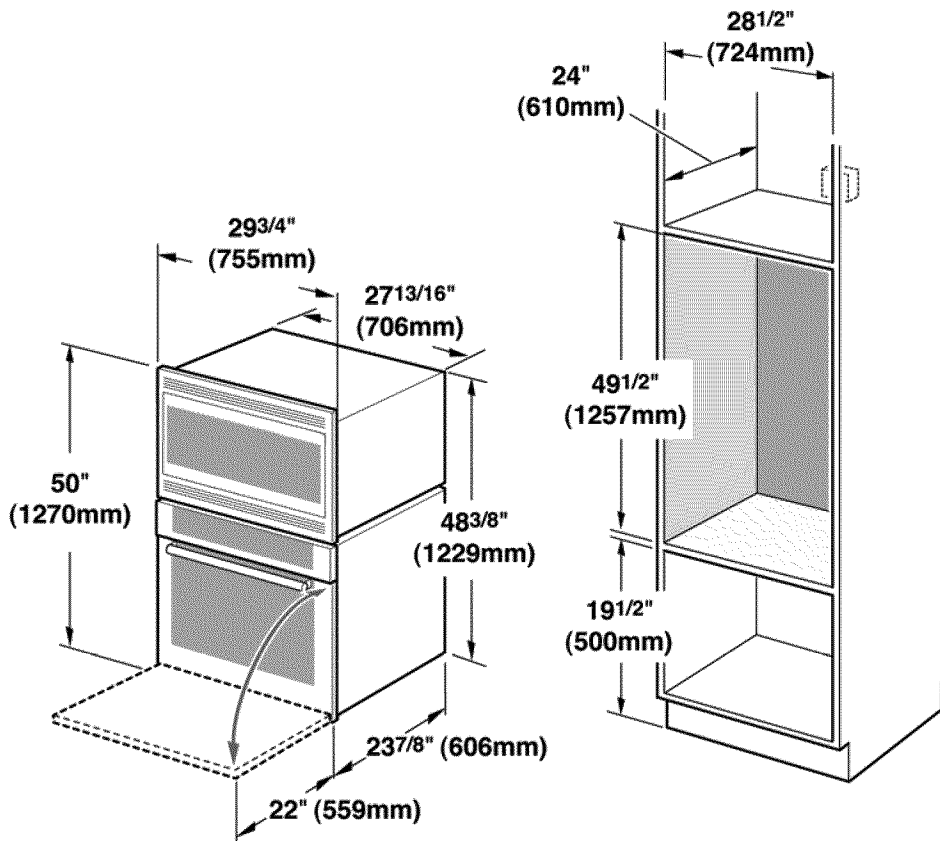
### Horno combinado con microondas de 30"

Cuando el horno está instalado al final de un gabinete, junto a una pared perpendicular o a una puerta del gabinete, se aconseja dejar un espacio de al menos 1/4" entre el costado del horno y la pared/puerta.

Para un mejor apoyo del horno, instale tablas de madera de 2 x 4 de adelante hacia atrás, que estén niveladas con la parte inferior y lateral de la abertura. La base de apoyo debe estar bien asegurada al piso/gabinete y nivelada.

**Nota:** La caja de conductos debe estar ubicada sobre la unidad para facilitar la conexión y el servicio técnico.

**La base del gabinete debe ser plana y capaz de sostener un peso**



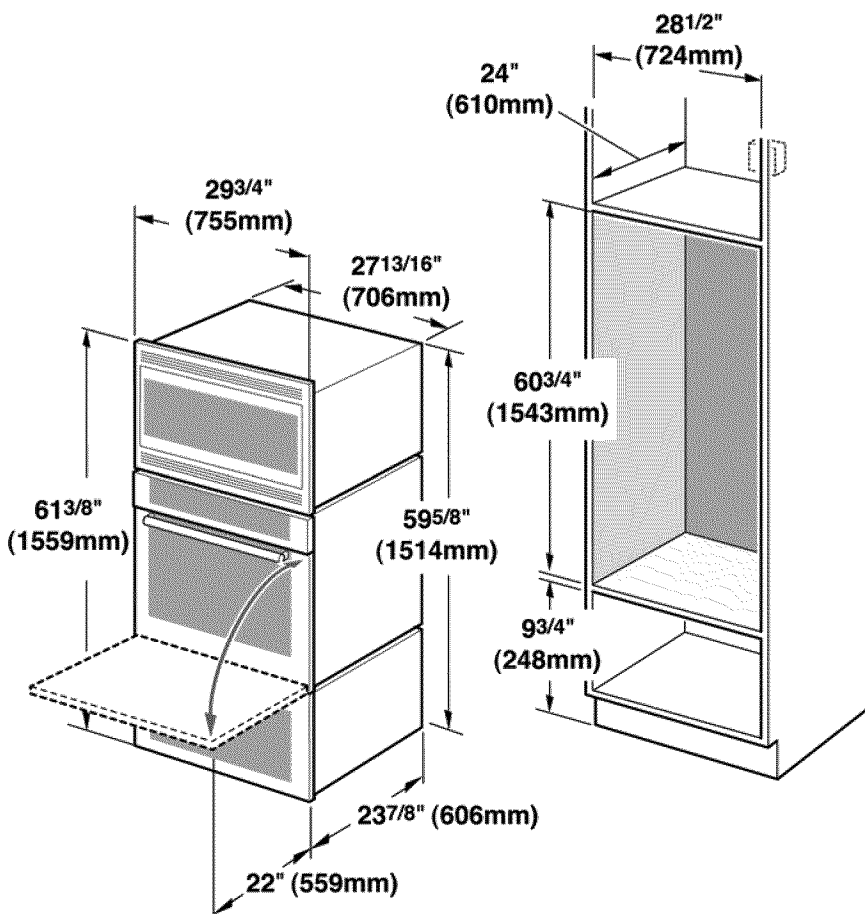
### Horno combinado con microondas y cajón calentador de 30"

Cuando el horno está instalado al final de un gabinete, junto a una pared perpendicular o a una puerta del gabinete, se aconseja dejar un espacio de al menos 1/4" entre el costado del horno y la pared/puerta.

Para un mejor apoyo del horno, instale tablas de madera de 2 x 4 de adelante hacia atrás, que estén niveladas con la parte inferior y lateral de la abertura. La base de apoyo debe estar bien asegurada al piso/gabinete y nivelada.

**Nota:** La caja de conductos debe estar ubicada sobre la unidad para facilitar la conexión y el servicio técnico.

**La base del gabinete debe ser plana y capaz de sostener un peso de por lo menos 310 lb (141 kg).**





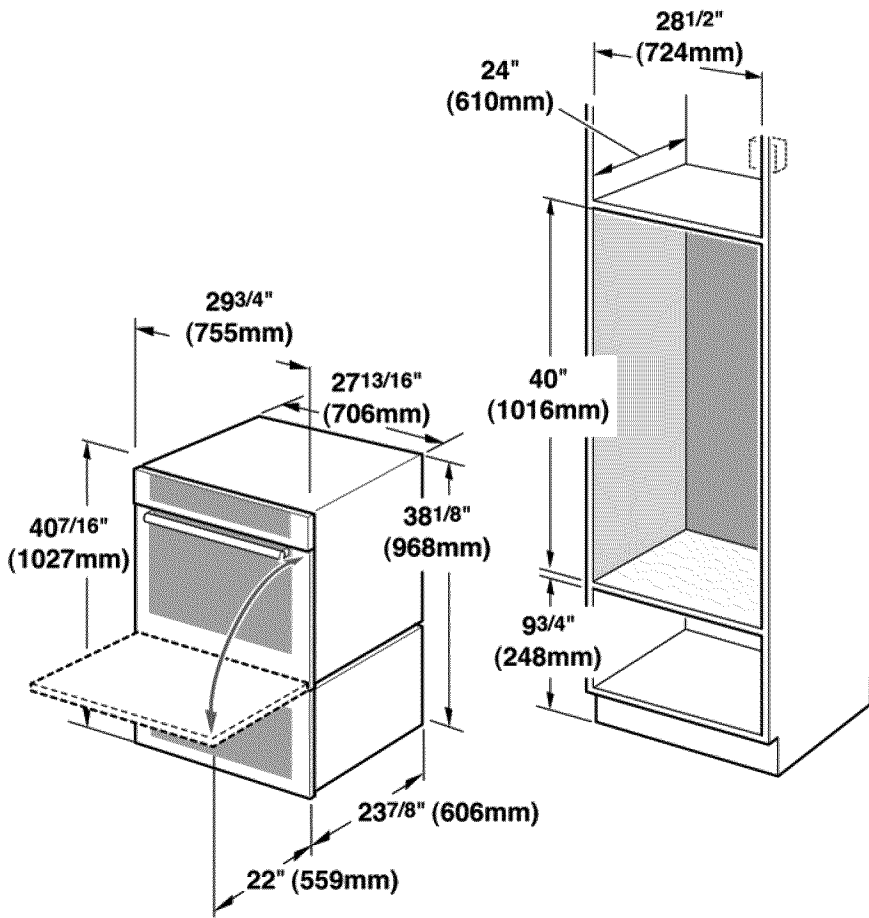
### Horno combinado con cajón calentador de 30"

Cuando el horno está instalado al final de un gabinete, junto a una pared perpendicular o a una puerta del gabinete, se aconseja dejar un espacio de al menos 1/4" entre el costado del horno y la pared/ puerta.

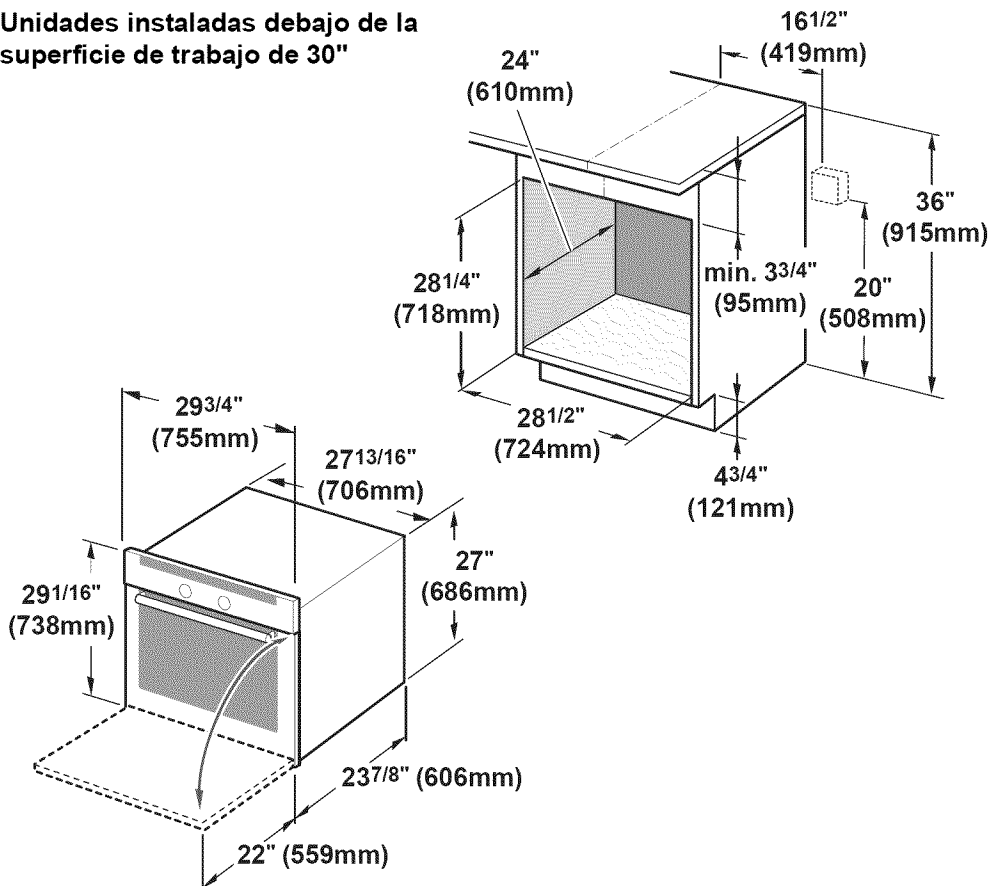
Para un mejor apoyo del horno, instale tablas de madera de 2 x 4 de adelante hacia atrás, que estén niveladas con la parte inferior y lateral de la abertura. La base de apoyo debe estar bien asegurada al piso/gabinete y nivelada.

**Nota:** La caja de conductos debe estar ubicada sobre la unidad para facilitar la conexión y el servicio técnico.

**La base del gabinete debe ser plana y capaz de sostener un peso de por lo menos 290 lb (132 kg).**



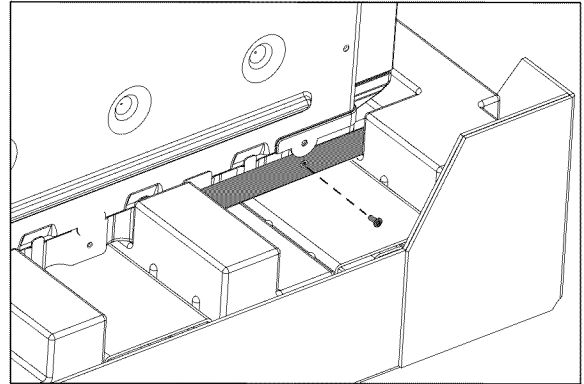
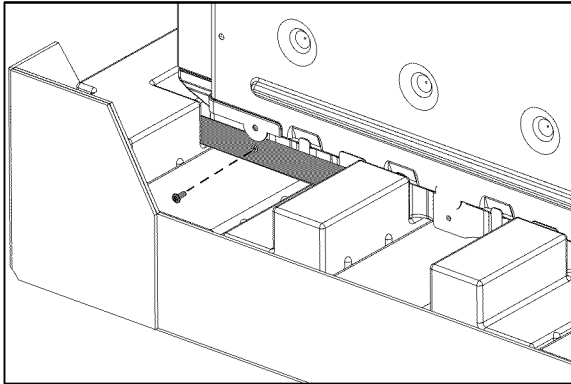
### Unidades instaladas debajo de la superficie de trabajo de 30"



# Quitar el embalaje

- Corte las correas del exterior de la caja.
- Quite la caja de cartón.
- Quite todos los cartones superiores y laterales así como las grapas de poliestireno.
- Coloque el horno delante del sitio en que se instalará.
- Destornille los tirantes de izquierda et derecha del embalaje, como se enseña en la figura “Como quitar los tirantes de izquierda y derecha del embalaje.”

## Como quitar los tirantes de izquierda y derecha del embalaje

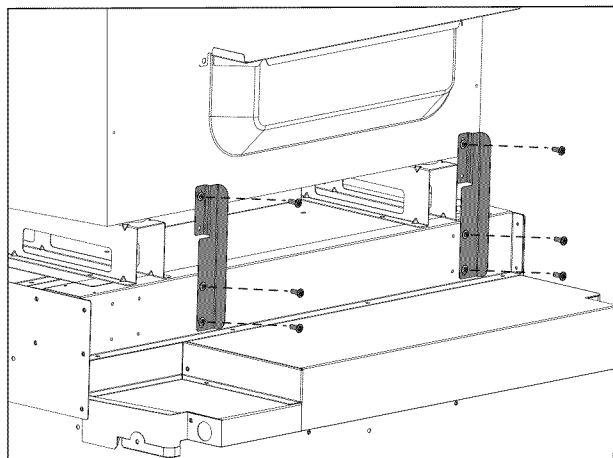


**Nota:** Cada modelo usa diferentes materiales de embalaje. Los tirantes pueden ser distintos. Los tirantes se quedan en la base del embalaje. El equipo debe quedarse el la base del embalaje hasta levantarlo hacia el sitio en que se instalará.

## Para los hornos combinados de microondas y convección

Quite los dos tirantes de transporte del micro-ondas combinado antes de instalarlo como se enseña en “Como quitar los tirantes de transporte del horno microondas y convección.”

## Como quitar los tirantes de transporte del horno microondas y convección (para los equipos combinados de microondas y convección)



## Preparación del horno

Coloque el horno enfrente de los gabinetes donde se debe instalar. Descanse el horno sobre un gato u otro soporte robusto para que quede alineado con el recorte para el gabinete.

# Instalación

## Instalación eléctrica

Todos los modelos de hornos que se detallan en la portada tienen capacidad nominal doble y están diseñados para conectarse a una fuente de alimentación eléctrica monofásica, de 4 hilos, 208/240 V CA, 60 Hz.

Modelo	Circuito requerido	
	208 V, 60 Hz	240 V, 60 Hz
M271, M301	25 AMP	30 AMP
ME301, ME271, PO301, POD301, DE301, DEC301	30 AMP	30 AMP
MEW301	30 AMP	40 AMP
ME302, MED302, ME272, MED272, PO302, POD302, PODC302, DE302	40 AMP	40 AMP
MEM271, MEM301, POM301, MEMC301, MEMCW301, MEMW271, MEMW301, POMW301	50 AMP	

El suministro eléctrico debe ser de CA monofásica, de 4 hilos. Instale una caja de conductos adecuada (no viene incluida). Un conector de conducto de dimensiones apropiadas aprobado por UL debe ser utilizado para fijar correctamente el conducto a la caja de conexiones.

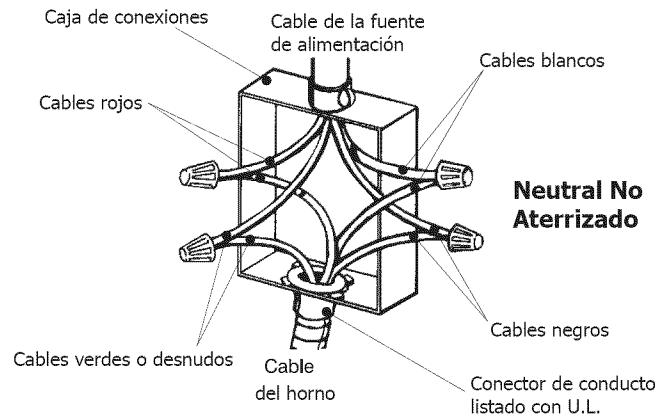
**Importante:** Los códigos locales pueden variar. La instalación, las conexiones eléctricas y la conexión a tierra deben cumplir con todos los códigos locales correspondientes.

Si los códigos locales permiten hacer la conexión a tierra a través del cable neutro del suministro eléctrico, conecte el cable neutro blanco y el cable de conexión a tierra desnudo del horno al cable neutro blanco del suministro eléctrico.

## Conexión eléctrica

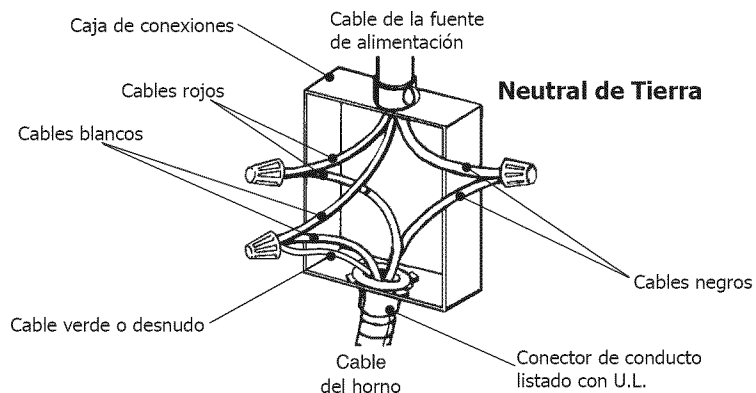
La conexión del circuito con cuatro hilos es preferible pero donde los códigos locales lo permiten, se acepta también una conexión con tres hilos.

### Conexión a cuatro cables



- Conecte el cable rojo del horno al cable rojo del suministro eléctrico (cable con corriente).
- Conecte el cable negro del horno al cable negro del suministro eléctrico (cable con corriente).
- Conecte el cable neutro blanco del horno al cable neutro blanco (no el de conexión a tierra desnudo) del suministro eléctrico.
- Conecte el cable de conexión a tierra desnudo del horno al cable de conexión a tierra desnudo del suministro eléctrico.

### Conexión a tres cables



- Conecte el cable rojo del horno al cable rojo en la caja de conexiones.
- Conecte el cable negro del horno al cable negro en la caja de conexiones.
- Conecte ambos cables verde y blanco del horno al cable blanco (o gris) neutral en la caja de conexiones.

El cable de conducto, donde está conectado al horno, gira. Gire el cable de conducto hacia arriba (o hacia abajo) e introdúzcalo en el orificio preparado en el gabinete para conectarlo a la caja de empalme.

Para mantener las condiciones que permitan realizar un buen servicio técnico, el conducto flexible no debe acortarse y debe enrutarse para que se pueda sacar temporalmente el horno.

# Instalar el horno

**Nota:** Antes de instalar el horno, asegúrese de verificar las dimensiones del gabinete y las conexiones eléctricas.

## Retirar la puerta del horno

Para facilitar la instalación, las puertas de algunos hornos se pueden retirar para reducir el peso del horno 30 lb (14 kg) por puerta, antes de instalarlo en el gabinete. Consulte las instrucciones que figuran a continuación.

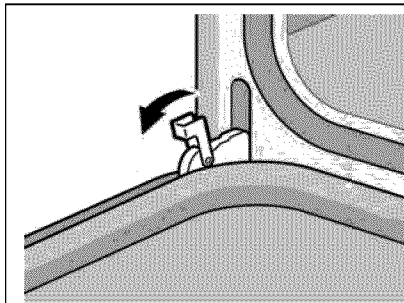


### PRECAUCIÓN:

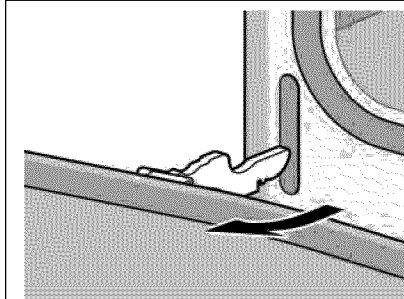
Al retirar la puerta del horno:

- Asegúrese de que el horno esté frío y de que la alimentación eléctrica esté apagada antes de retirar la puerta. No hacerlo puede ocasionar una descarga eléctrica o quemaduras.
- La puerta del horno es pesada y frágil. Use las dos manos para retirar la puerta del horno. El frente de la puerta es de vidrio. Manipúlela con cuidado para que no se rompa.
- Tome la puerta del horno solamente por los costados. No la tome del asa, porque puede deslizarse de la mano y causar daños o lesiones.
- No tomar la puerta del horno con firmeza y correctamente podría ocasionar lesiones personales o daños al producto.
- Para evitar lesiones cuando se cierra la bisagra, asegúrese de que ambas palancas estén firmemente en su lugar antes de retirar la puerta. Tampoco abra ni cierre la puerta forzándola; la bisagra se puede dañar y ocasionar lesiones.

## Para retirar la puerta del horno:



1. Asegúrese de leer la PRECAUCIÓN anterior antes de intentar retirar la puerta.
2. Abra la puerta por completo.
3. Lleve las palancas de las bisagras hacia usted.



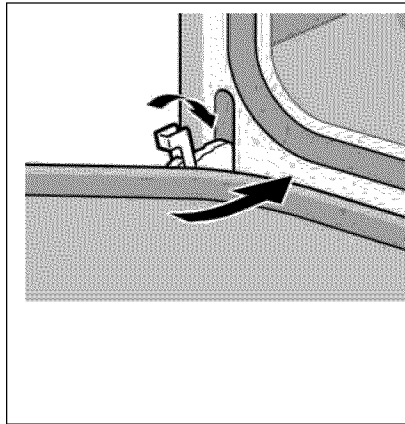
1. Cierre la puerta con cuidado hasta que se detenga. Se cerrará hasta la mitad aproximadamente.
2. Sujetando la puerta firmemente de ambos lados, con las dos manos, jale la puerta hacia arriba y sáquela de las ranuras de las bisagras. Sujétela con firmeza; la puerta es pesada.
3. Coloque la puerta en un lugar práctico y estable para limpiarla.

## Instalar el horno

Para facilitar la instalación, las puertas de algunos hornos se pueden retirar para reducir el peso del horno 30 lb (14 kg) por puerta, antes de instalarlo en el gabinete. Ver la sección « Para quitar la puerta del horno » en el manual de instalación.

1. Instale el equipo hacia el lugar en que se instalará. No sujete el equipo por la palanca de la puerta.
2. Empuje el horno hacia atrás hasta que el borde quede al ras con la pared del gabinete. Tenga cuidado para no doblar el conducto flexible entre el horno y la pared trasera del gabinete. El horno debe quedar en posición recta, no torcida.
3. Instale los tornillos proporcionados a través de los agujeros preperforados del adorno. (2 tornillos para los hornos simples, 4 tornillos para los hornos dobles/combos)

### Para reemplazar la puerta del horno:



1. Sujetando la puerta firmemente con las dos manos, coloque las bisagras en las ranuras de las bisagras.
2. Abra la puerta al máximo para que se vean las bisagras y las ranuras.
3. Empuje la palanca hacia abajo y aléjela de usted hasta que esté alineada con el soporte.
4. Cierre y abra la puerta despacio para asegurarse de que está correcta y firmemente colocada. La puerta debe estar derecha, no torcida.

## Probar el equipo

1. Prenda la corriente en el interruptor.
2. Revise la corriente en la caja de conexiones con un voltímetro.  
Para una instalación de 240V, la lectura entre los cables rojos y negros (línea a línea) debe ser 220 a 240 voltios.  
Para una instalación de 208V, la lectura entre los cables rojos y negros (línea a línea) debe ser 190 a 208 voltios.
3. Verifique el modo del horno.  
Seleccione el modo **BAKE** (Hornear). Consulte el manual de uso y cuidado para instrucciones detalladas de la operación.
4. Verifique el que se prendan las luces del horno y que comience a calentarse.
5. Compruebe el bloqueo de la puerta.  
Seleccione el modo **SELF CLEAN** (Autolimpieza). Confirma que se bloquea la puerta cuando aparece el icono de bloqueo en la pantalla.
6. Cuando instala un doble horno, aplique la misma prueba también al otro horno.
7. Si alguna de las pruebas no resulta como se describe arriba, contacte al servicio de Thermador para recibir ayuda. De otro modo la instalación ya terminó en este momento.

---

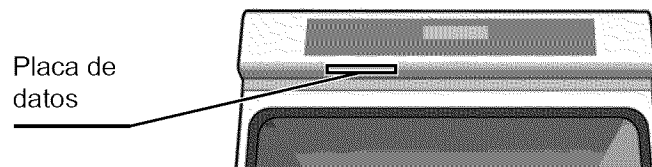
# Servicio

**Antes de llamar al servicio** Para obtener información sobre resolución de problemas, consulte el Manual de uso y cuidado. Consulte la garantía en el Manual de uso y cuidado.

Para consultar a un representante de servicio técnico, remítase a la información de contacto que aparece en el frente del manual. Cuando llame, tenga a la mano la información impresa en la placa de datos de su producto.

## Placa de datos

La placa de datos muestra el modelo y el número de serie. Al solicitar servicio técnico, consulte la placa de datos del electrodoméstico. La placa de datos se encuentra en la parte inferior del panel de control:



***Thermador***® | *An American Icon*™

5551 McFadden Avenue, Huntington Beach, CA 92649 • 800-735-4328 • [www.thermador.com](http://www.thermador.com)  
9000119664 • 5V0D3J • Rev F • 4/08 © BSH Home Appliances Corporation, 2007 • All rights reserved  
Litho in USA