

Operator's Manual

SNAPPER®

3100 PSI MAX

2.5 GPM MAX

PRESSURE WASHER

Model No. 580.752641



HOURS: Mon. - Fri. 8 a.m. to 5 p.m. (CT)



WARNING

Before using this product, read this manual and follow all Safety Rules and Operating Instructions.



ADVERTENCIA

Antes de utilizar el producto, lea este manual y siga todas las Reglas de Seguridad e Instrucciones de Uso.

- Safety
- Assembly
- Operation
- Maintenance
- Parts
- Español, p. 32

This pressure washer is rated in accordance to the Pressure Washer Manufacturers Association (PWMA) standard PW101 (Testing and Rating Performance of Pressure Washers).

Esta limpiadora a presión está clasificada conforme a la norma PW101 (comprobación y clasificación de rendimiento de limpiadoras a presión) de la Asociación de fabricantes de bombas a presión (Pressure Washer Manufacturers Association, PWMA).

Sears, Roebuck and Co., Hoffman Estates, IL 60179 U.S.A.

Visit our website: www.sears.com

Part No. 209811GS Draft - (03/31/2009)



TABLE OF CONTENTS

WARRANTY	2	STORAGE	21
REPAIR PROTECTION AGREEMENT	2	TROUBLESHOOTING	22
SAFETY RULES	3-5	REPLACEMENT PARTS	23-27
FEATURES AND CONTROLS	6	EMISSION CONTROL WARRANTY	28-29
ASSEMBLY	7-10	NOTES	30-31
OPERATION	11-14	ESPAÑOL	32-55
SPECIFICATIONS	15	HOW TO ORDER PARTS	BACK PAGE
MAINTENANCE	16-20		

WARRANTY

SNAPPER FULL WARRANTY

If this Snapper product fails due to a defect in material or workmanship within two years from the date of purchase, return it to any Sears store or Sears Parts & Repair Service Center in the United States for free repair (or replacement if repair proves impossible).

This warranty applies for only 90 days from the date of purchase if this product is ever used for commercial or rental purposes.

This warranty covers ONLY defects in material and workmanship. Sears will NOT pay for:

- Expendable items that can wear out from normal use within the warranty period, such as spray guns, hoses, nozzle extensions, nozzles, filters and spark plugs.
- Repairs necessary because of accident, or failure to operate or maintain the product according to all supplied instructions.
- Preventive maintenance, or repairs necessary due to improper fuel mixture, contaminated or stale fuel.

This warranty gives you specific legal rights, and you may also have other rights which vary from state to state.

Sears, Roebuck and Co., Hoffman Estates, IL 60179

REPAIR PROTECTION AGREEMENT

Congratulations on making a smart purchase.

Your new pressure washer is designed and manufactured for years of dependable operation. But like all products, it may require repair from time to time. That's when having a Repair Protection Agreement can save you money and aggravation.

Here's what the Repair Protection Agreement* includes:

- **Expert service** by our 10,000 professional repair specialists
- **Unlimited service and no charge** for parts and labor on all covered repairs
- **Product replacement** up to \$1500 if your covered product can't be fixed
- **Discount of 10%** from regular price of service and related installed parts not covered by the agreement; also, 10% off regular price of preventive maintenance check
- **Fast help by phone** – we call it Rapid Resolution – phone support from a Sears representative. Think of us as a “talking owner's manual”.

Once you purchase the Repair Protection Agreement, a simple phone call is all it takes for you to schedule service. You can call anytime day or night, or schedule a service appointment online.

The Repair Protection Agreement is a risk-free purchase. If you cancel for any reason during the product warranty period, we will provide a full refund. Or, a prorated refund anytime after the product warranty period expires. Purchase your Repair Protection Agreement today!

Some limitations and exclusions apply. For prices and additional information in the U.S.A. call 1-800-827-6655.

*** Coverage in Canada varies on some items. For full details, call Sears Canada at 1-800-361-6665.**

Sears Installation Service

For Sears professional installation of home appliances, garage door openers, water heaters, and other major home items, in the U.S.A. or Canada call 1-800-4-MY-HOME®.

SAFETY RULES



Read this manual carefully and become familiar with your pressure washer. Know its applications, its limitations, and any hazards involved.

Important Safety Information

Safety Symbols and Meanings



Toxic Fumes



Kickback



Electrical Shock



Slippery Surface



Fall



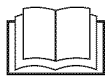
Fluid Injection



Fire



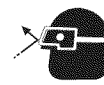
Explosion



Operator's Manual



Moving Parts



Flying Objects



Hot Surface

▲ The safety alert symbol indicates a potential personal injury hazard. A signal word (DANGER, WARNING, or CAUTION) is used with the alert symbol to designate a degree or level of hazard seriousness. A safety symbol may be used to represent the type of hazard. The signal word *NOTICE* is used to address practices not related to personal injury.

▲ **DANGER** indicates a hazard which, if not avoided, *will* result in death or serious injury.

▲ **WARNING** indicates a hazard which, if not avoided, *could* result in death or serious injury.

▲ **CAUTION** indicates a hazard which, if not avoided, *could* result in minor or moderate injury.

NOTICE address practices not related to personal injury.

▲ **WARNING** The engine exhaust from this product contains chemicals known to the State of California to cause cancer, birth defects, or other reproductive harm.

▲ **WARNING** This product contains lead and lead compounds, known to the State of California to cause birth defects or other reproductive harm. *Wash your hands after handling this product.*

▲ **WARNING** Running engine gives off carbon monoxide, an odorless, colorless, poison gas. Breathing carbon monoxide can cause headache, fatigue, dizziness, vomiting, confusion, seizures, nausea, fainting or death. Some chemicals or detergents may be harmful if inhaled or ingested, causing severe nausea, fainting, or poisoning.

- Operate pressure washer **ONLY** outdoors.
- Keep exhaust gas from entering a confined area through windows, doors, ventilation intakes, or other openings.
- **DO NOT** start or run engine indoors or in an enclosed area, even if windows and doors are open.
- Use a respirator or mask whenever there is a chance that vapors may be inhaled.
- Read all instructions with mask so you are certain the mask will provide the necessary protection against inhaling harmful vapors.

▲ WARNING Starter cord kickback (rapid retraction) can result in bodily injury. Kickback will pull hand and arm toward engine faster than you can let go. Broken bones, fractures, bruises, or sprains could result.



- NEVER pull starter cord without first relieving spray gun pressure.
- When starting engine, pull cord slowly until resistance is felt and then pull rapidly to avoid kickback.
- After each starting attempt, where engine fails to run, always point spray gun in safe direction, press red button and squeeze spray gun trigger to release high pressure.
- Firmly grasp spray gun with both hands when using high pressure spray to avoid injury when spray gun kicks back.

▲ WARNING Risk of electrocution.



Contact with power source can cause electric shock or burn.

- NEVER spray near power source.

▲ WARNING The high pressure stream of water that this equipment produces can cut through skin and its underlying tissues, leading to serious injury and possible amputation.



Spray gun traps high water pressure, even when engine is stopped and water is disconnected, which can cause injury.

- DO NOT allow CHILDREN to operate pressure washer.
- NEVER repair high pressure hose. Replace it.
- NEVER repair leaking connections with sealant of any kind. Replace o-ring or seal.
- NEVER connect high pressure hose to nozzle extension.
- Keep high pressure hose connected to pump and spray gun while system is pressurized.
- ALWAYS point spray gun in safe direction, press red button and squeeze spray gun trigger to release high pressure, every time you stop engine.
- NEVER aim spray gun at people, animals, or plants.
- DO NOT secure spray gun in open position.
- DO NOT leave spray gun unattended while machine is running.
- NEVER use a spray gun which does not have a trigger lock or trigger guard in place and in working order.
- Always be certain spray gun, nozzles and accessories are correctly attached.

▲ WARNING Fuel and its vapors are extremely flammable and explosive. Fire or explosion can cause severe burns or death.



WHEN ADDING OR DRAINING FUEL

- Turn pressure washer OFF and let it cool at least 2 minutes before removing fuel cap. Loosen cap slowly to relieve pressure in tank.
- Fill or drain fuel tank outdoors.
- DO NOT overfill tank. Allow space for fuel expansion.
- If fuel spills, wait until it evaporates before starting engine.
- Keep fuel away from sparks, open flames, pilot lights, heat, and other ignition sources.
- DO NOT light a cigarette or smoke.

WHEN STARTING EQUIPMENT

- Ensure spark plug, muffler, fuel cap, and air cleaner are in place.
- DO NOT crank engine with spark plug removed.

WHEN OPERATING EQUIPMENT

- DO NOT tip engine or equipment at angle which causes fuel to spill.
- DO NOT spray flammable liquids.

WHEN TRANSPORTING OR REPAIRING EQUIPMENT

- Transport/repair with fuel tank EMPTY or with fuel shutoff valve OFF.
- Disconnect spark plug wire.

WHEN STORING FUEL OR EQUIPMENT WITH FUEL IN TANK

- Store away from furnaces, stoves, water heaters, clothes dryers, or other appliances that have pilot light or other ignition source because they can ignite fuel vapors.

▲ WARNING Contact with muffler area can result in serious burns.



Exhaust heat/gases can ignite combustibles, structures or damage

fuel tank causing a fire.

- DO NOT touch hot parts and AVOID hot exhaust gases.
- Allow equipment to cool before touching.
- Keep at least 5 feet (152 cm) of clearance on all sides of pressure washer including overhead.
- It is a violation of California Public Resource Code, Section 4442, to use or operate the engine on any forest-covered, brush-covered, or grass-covered land unless the exhaust system is equipped with a spark arrester, as defined in Section 4442, maintained in effective working order. Other states or federal jurisdictions may have similar laws.

Contact the original equipment manufacturer, retailer, or dealer to obtain a spark arrester designed for the exhaust system installed on this engine.

- Replacement parts must be the same and installed in the same position as the original parts.

▲ WARNING Use of pressure washer can create puddles and slippery surfaces. Kickback from spray gun can cause you to fall.



- Operate pressure washer from a stable surface.
- The cleaning area should have adequate slopes and drainage to reduce the possibility of a fall due to slippery surfaces.
- Be extremely careful if you must use the pressure washer from a ladder, scaffolding, or any other similar location.
- Firmly grasp spray gun with both hands when using high pressure spray to avoid injury when spray gun kicks back.

▲ WARNING Unintentional sparking can result in fire or electric shock.



WHEN ADJUSTING OR MAKING REPAIRS TO YOUR PRESSURE WASHER

- Disconnect the spark plug wire from the spark plug and place the wire where it cannot contact spark plug.

WHEN TESTING FOR ENGINE SPARK

- Use approved spark plug tester.
- DO NOT check for spark with spark plug removed.

▲ WARNING Starter and other rotating parts can entangle hands, hair, clothing, or accessories.



- NEVER operate pressure washer without protective housing or covers.
- DO NOT wear loose clothing, jewelry or anything that may be caught in the starter or other rotating parts.
- Tie up long hair and remove jewelry.

▲ WARNING Risk of eye injury. Spray can splash back or propel objects.



- Always wear indirect vented (chemical splash) safety goggles marked to comply with ANSI Z87.1 when using or in vicinity of this equipment.
- NEVER substitute safety glasses or dry-condition goggles for indirect vented safety goggles.

NOTICE High pressure spray may damage fragile items including glass.

- DO NOT point spray gun at glass when using MAX (0°) nozzle.
- NEVER aim spray gun at plants.

NOTICE Improper treatment of pressure washer can damage it and shorten its life.

- If you have questions about intended use, ask dealer or contact Sears.
- NEVER operate units with broken or missing parts, or without protective housing or covers.
- DO NOT by-pass any safety device on this machine.
- DO NOT tamper with governed speed.
- DO NOT operate pressure washer above rated pressure.
- DO NOT modify pressure washer in any way.
- Before starting pressure washer in cold weather, check all parts of the equipment to be sure ice has not formed there.
- NEVER move machine by pulling on hoses. Use handle provided on unit.
- Check fuel system for leaks or signs of deterioration, such as chafed or spongy hose, loose or missing clamps, or damaged tank or cap. Correct all defects before operating pressure washer.
- This equipment is designed to be used with Sears authorized parts **ONLY**. If equipment is used with parts that DO NOT comply with minimum specifications, user assumes all risks and liabilities.

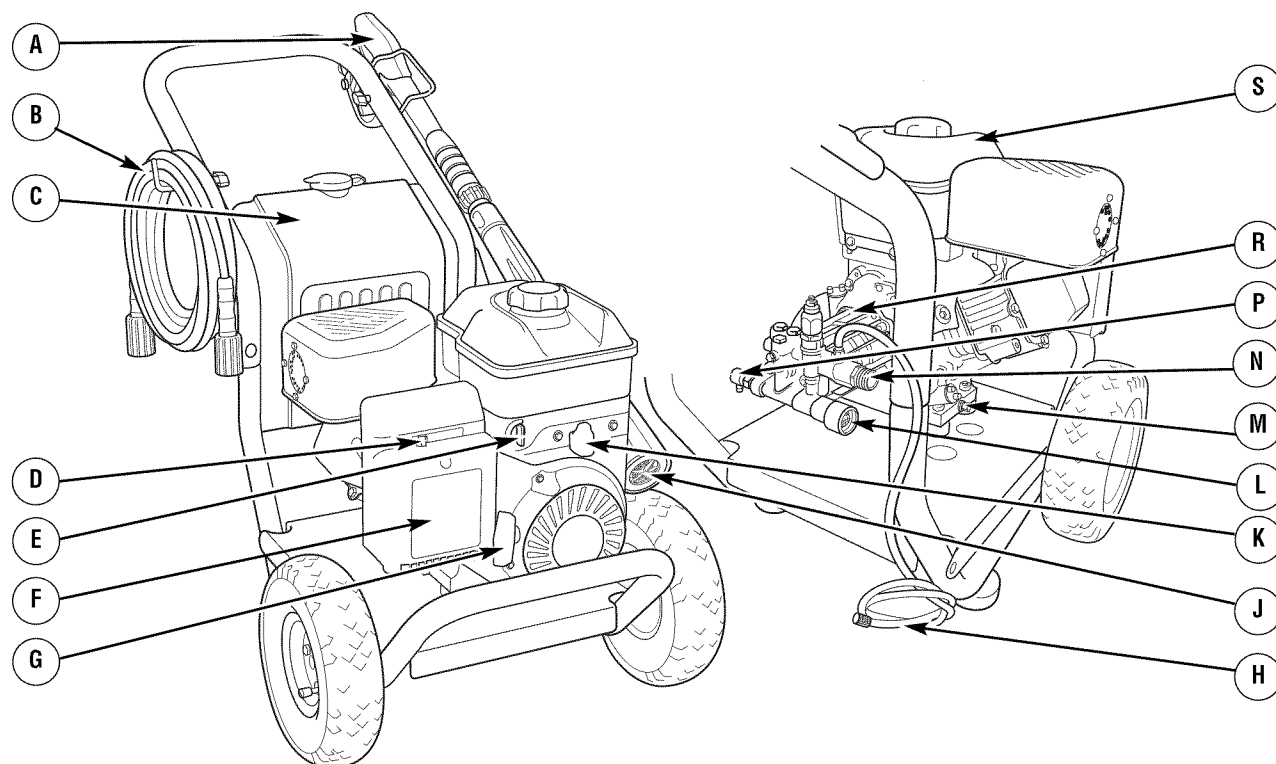
FEATURES AND CONTROLS

KNOW YOUR PRESSURE WASHER



Read the Operator's Manual and safety rules before operating your pressure washer.

Compare the illustrations with your pressure washer to familiarize yourself with the locations of various controls and adjustments. Save this manual for future reference.



A - Spray Gun — Controls the application of water onto cleaning surface with trigger device. Includes trigger lock.

B - High Pressure Hose — Connect one end to water pump and the other end to spray gun.

C - Cleaning Tank — Use to hold up to two gallons (7.6 l) of pressure washer safe detergent.

D - Choke Lever — Prepares a cold engine for starting.

E - Fuel Valve — Used to turn fuel supply on and off to engine.

F - Air Filter — Protects engine by filtering dust and debris out of intake air.

G - Recoil Starter — Used for starting the engine manually.

H - Standard Detergent Siphoning Tube/Filter — Use to siphon pressure washer safe detergents into the low pressure stream.

J - PrecisionSpray™ Selector — Contains six different setting for various applications.

K - Throttle Lever — Sets engine in starting mode for recoil starter and stops a running engine.

L - Water Inlet — Connection for garden hose.

M - Oil Drain — Drain engine oil here.

N - High Pressure Outlet — Connection for high pressure hose.

P - Automatic Cool Down System — Cycles water through pump when water reaches 125°-155°F. Warm water will discharge from pump onto ground. This system prevents internal pump damage.

R - Pump — Develops high pressure.

S - Fuel Tank — Fill tank with regular unleaded fuel. Always leave room for fuel expansion.

Items Not Shown:

Identification Label (near rear of base plate) — Provides model and serial number of pressure washer. Please have these readily available if calling for assistance.

Oil Fill — Check and add engine oil here.

Warning/Operating Instructions Tag — Identifies hazards and proper procedure to start/stop pressure washer.

ASSEMBLY

Your pressure washer requires some assembly and is ready for use only after it has been properly serviced with the recommended oil and fuel.

If you have any problems with the assembly of your pressure washer, please call the pressure washer helpline at 1-800-317-7833.

UNPACK PRESSURE WASHER

1. Remove everything from carton except pressure washer.
2. Open carton completely by cutting each corner from top to bottom.
3. Remove pressure washer from carton.

CARTON CONTENTS

Check all contents. If any parts are missing or damaged, call the pressure washer helpline at **1-800-317-7833**.

- Main Unit
- Handle
- Cleaning Tank
- High Pressure Hose
- Spray Gun
- PrecisionSpray™ Selector
- Spray Gun Wireform
- Detergent Siphon Hose
- Oil Bottle
- Parts Bag (which includes the following):
 - Operator's Manual
 - Owner's Registration Card
 - Handle Fastening Hardware Kit (which includes):
 - Carriage Bolts (2)
 - "L" Bolt
 - Plastic Knobs (4)
 - Tree Clips (4)

Become familiar with each piece before assembling the pressure washer. Identify all contents with the illustration on page 6. If any parts are missing or damaged, call the pressure washer helpline at **1-800-317-7833**.

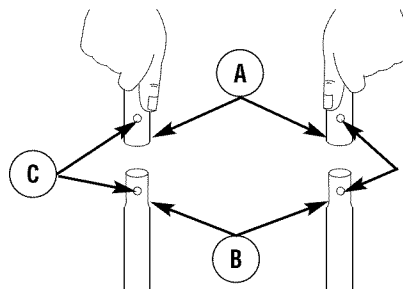
ASSEMBLING PRESSURE WASHER

Your Snapper pressure washer will need assembly before operation:

1. Fill out and send in registration card.
2. Attach handle and cleaning tank.
3. Connect detergent siphon hose to pump.
4. Add oil to engine crankcase.
5. Add fuel to fuel tank.
6. Connect pressure hose to spray gun and pump.
7. Connect water supply to pump.
8. Attach PrecisionSpray™ selector to spray gun.

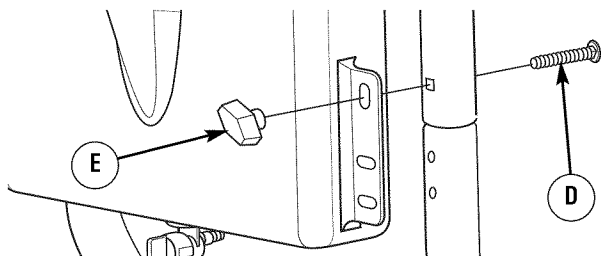
Attach Handle and Cleaning Tank

1. Place handle (A) onto handle supports (B) connected to main unit. Make sure holes (C) in handle align with holes (C) on handle supports.

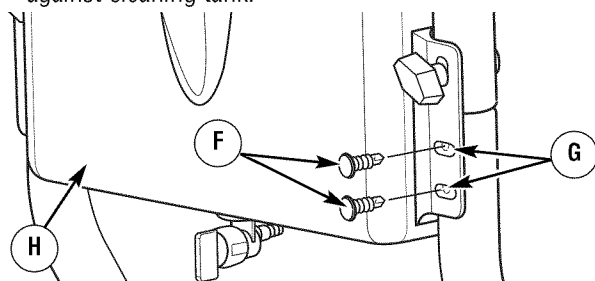


NOTICE It may be necessary to move the handle supports from side to side in order to align the handle so it will slide over the handle supports.

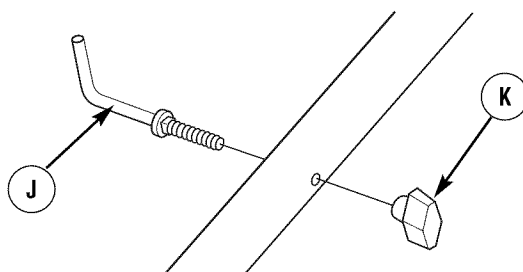
2. Place cleaning tank over holes on handle and handle supports (viewing from rear of unit).
3. Insert carriage bolts (D) through top holes of the handle, handle supports and cleaning tank from front of unit and attach a plastic knob (E) from rear of unit. Tighten by hand.



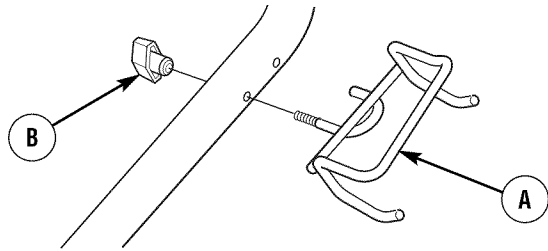
4. Push tree clips (F) into bottom holes (G) of cleaning tank (H) and holes on handle supports until they sit flat against cleaning tank.



5. Insert "L" bolt (J) through hole on left side of handle (viewing from front of unit). Hold bolt in place and attach a plastic knob (K) from inside of unit. Tighten by hand.



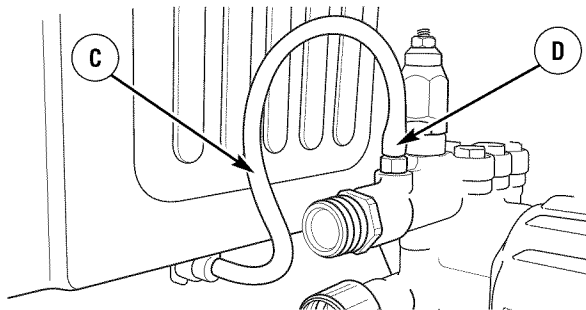
- Insert spray gun holder wireform (A) through hole just above cleaning tank on right side of handle (viewing from front of unit). Hold wireform in place and attach a plastic knob (B) from inside of unit. Tighten by hand.



Attach Detergent Siphon Hose to Pump

The pressure washer is equipped with two detergent siphoning hoses. One is attached to the cleaning tank and one is loose for siphoning pressure washer safe detergents from a bottle or container.

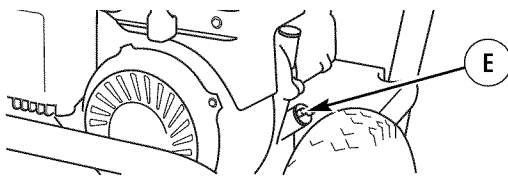
Attach one of the detergent siphon hoses (C) to the barbed hose fitting (D) on the pump.



NOTICE Only one detergent siphoning hose can be used at a time. When cleaning tank is not used, make sure detergent shut-off valve on cleaning tank is in the "Off" position.

Add Engine Oil

- Place pressure washer on a flat, level surface.
- Clean area around oil fill and remove yellow oil fill cap.
- Using oil funnel (optional), slowly pour contents of provided oil bottle into oil fill opening (E) to the point of overflowing.



NOTICE Improper treatment of pressure washer can damage it and shorten its life.

- DO NOT attempt to crank or start the engine before it has been properly serviced with the recommended oil. This may result in an engine failure.

- Replace oil fill cap and fully tighten.

Add Fuel

Fuel must meet these requirements:



- Clean, fresh, unleaded gasoline.
- A minimum of 87 octane/87 AKI (91 RON). High altitude use, see *High Altitude*.
- Gasoline with up to 10% ethanol (gasohol) or up to 15% MTBE (methyl tertiary butyl ether) is acceptable.

NOTICE Avoid pressure washer damage. Failure to follow Operator's Manual for fuel recommendations voids warranty.

- DO NOT use unapproved gasoline such as E85.
- DO NOT mix oil in gasoline.
- DO NOT modify engine to run on alternate fuels.

To protect the fuel system from gum formation, mix in a fuel stabilizer when adding fuel. See *Storage*. All fuel is not the same. If you experience starting or performance problems after using fuel, switch to a different fuel provider or change brands. This engine is certified to operate on gasoline. The emission control system for this engine is EM (Engine Modifications).

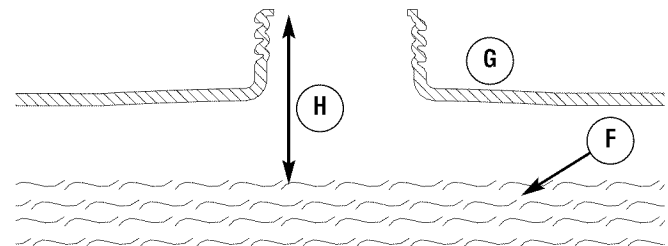
▲ WARNING Fuel and its vapors are extremely flammable and explosive. Fire or explosion can cause severe burns or death.

WHEN ADDING FUEL

- Turn pressure washer OFF and let it cool at least 2 minutes before removing fuel cap. Loosen cap slowly to relieve pressure in tank.
- Fill fuel tank outdoors.
- DO NOT overfill tank. Allow space for fuel expansion.
- If fuel spills, wait until it evaporates before starting engine.
- Keep fuel away from sparks, open flames, pilot lights, heat, and other ignition sources.
- DO NOT light a cigarette or smoke.

- Clean area around fuel fill cap, remove cap.
- Slowly add regular unleaded fuel (F) to fuel tank (G). Be careful not to overfill. Allow about 1.5" (4 cm) (H) of tank space for fuel expansion.



- Install fuel cap and wait for any spilled fuel to evaporate.

CAUTION! Alcohol-blended fuels (called gasohol, ethanol or methanol) can attract moisture, which leads to separation and formation of acids during storage. Acidic gas can damage the fuel system of an engine while in storage.

To avoid engine problems, the fuel system should be treated with a fuel preserver or emptied before storage of 30 days or longer. If adding a fuel preserver, fill the fuel tank with fresh fuel. If only partially filled, air in the tank will promote fuel deterioration during storage. If fuel preserver is not used, drain the fuel tank, start the engine and let it run until the fuel lines and carburetor are empty. Use fresh fuel next season. See *Storage* for additional information.

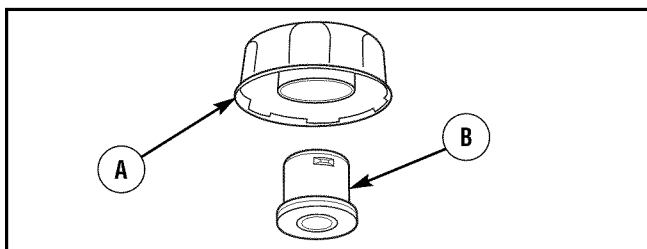
NEVER use engine or carburetor cleaner products in the fuel tank as permanent damage may occur.

High Altitude

At altitudes over 5,000 feet (1524 meters), a minimum 85 octane / 85 AKI (89 RON) gasoline is acceptable. To remain emissions compliant, high altitude adjustment is required. Operation without this adjustment will cause decreased performance, increased fuel consumption, and increased emissions. See a qualified Sears dealer for high altitude adjustment information. Operation of the engine at altitudes below 2,500 feet (762 meters) with the high altitude kit is not recommended.

FreshStart® Fuel Cap

The FreshStart® fuel cap (A) is designed to hold a cartridge (B) which contains fuel preserver. Adding fuel preserver helps keep fuel fresh and carburetors clean for easier starting all season long. The FreshStart® fuel cap, if equipped with a cartridge, automatically drips concentrated fuel preserver into your fuel tank so you don't have to add it yourself.



NOTICE FreshStart® fuel preserver cartridge is available as an optional accessory, retail item 7133386. It is not included with the pressure washer. Contact the original equipment manufacturer, retailer, or dealer to obtain a cartridge designed for the FreshStart® fuel cap installed on this engine.

Read and follow all instructions and warnings given in the FreshStart® fuel preserver cartridge package.

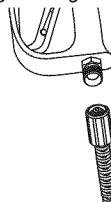
Connect Hose and Water Supply to Pump

NOTICE DO NOT run the pump without the water supply connected and turned on.

- Damage to equipment resulting from failure to follow this instruction will void warranty.

NOTICE Remove and discard the shipping caps from the pump's high pressure outlet and water inlet before attaching hoses.

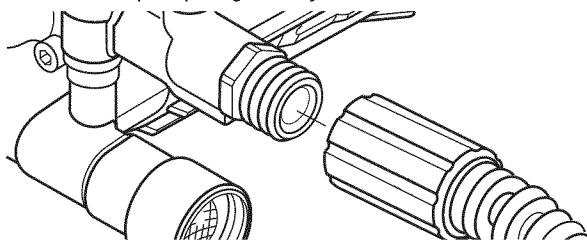
1. Uncoil high pressure hose and attach one end of hose to base of spray gun. Tighten by hand.



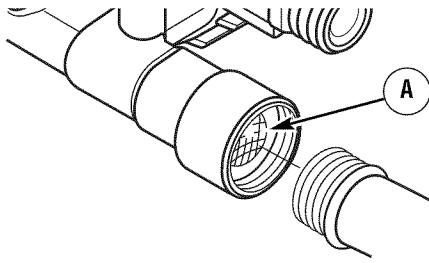
▲ WARNING The high pressure stream of water that this equipment produces can cut through skin and its underlying tissues, leading to serious injury and possible amputation.

- NEVER connect high pressure hose to nozzle extension.
- Keep high pressure hose connected to pump and spray gun while system is pressurized.
- Always be certain spray gun, nozzles and accessories are correctly attached.

2. Attach other end of high pressure hose to high pressure outlet on pump. Tighten by hand.



- Before connecting garden hose to water inlet, inspect inlet screen. Clean screen (A) if it contains debris or have it replaced if damaged. **DO NOT run pressure washer if inlet screen is damaged or missing.**



- Run water through garden hose for 30 seconds to flush it of debris. Turn off water.

NOTICE DO NOT siphon standing water for the water supply. Use ONLY cold water (less than 100°F).

- Connect garden hose (not to exceed 50 feet in length) to water inlet. Tighten by hand.

NOTICE Using a One Way Valve (vacuum breaker or check valve) at pump inlet can cause pump or inlet connector damage.

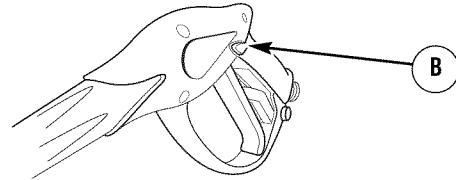
- There MUST be at least ten feet of unrestricted garden hose between the pressure washer inlet and any device, such as a vacuum breaker or check valve.
- Damage to equipment resulting from failure to follow this instruction will void warranty.

▲ WARNING Risk of eye injury.
Spray can splash back or propel objects.



- Always wear indirect vented (chemical splash) safety goggles marked to comply with ANSI Z87.1 when using or in vicinity of this equipment.
- NEVER substitute safety glasses or dry-condition goggles for indirect vented safety goggles.

- Turn ON the water, press red button (B) on the gun and squeeze the trigger to purge the pump system of air and impurities.



Checklist Before Starting Engine

Review the unit to ensure you have performed all of the following:

- Be sure to read *Safety Rules* and *Operation* sections before using the pressure washer.
- Make sure handle is in place and secure.
- Check that oil has been added to proper level in engine crankcase.
- Add proper fuel to fuel tank.
- Check for proper hose connections (high pressure and water supply) and that there are no kinks, cuts, or damage to the high pressure hose.
- Provide proper water supply (not to exceed 100°F).

OPERATION

HOW TO USE YOUR PRESSURE WASHER

If you have any problems operating your pressure washer, please call the pressure washer helpline at **1-800-317-7833**.

Pressure Washer Location

Pressure Washer Clearance

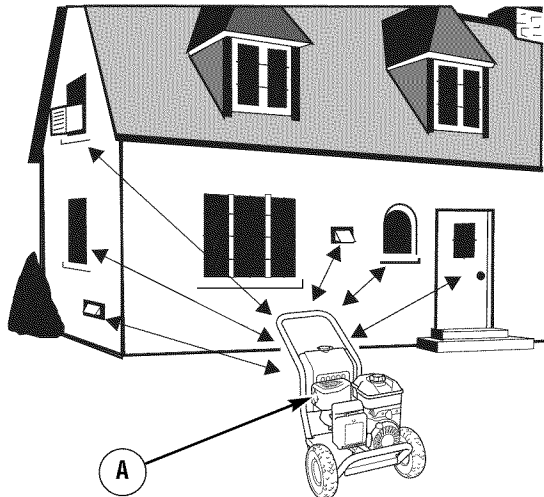
▲ WARNING Exhaust heat/gases can ignite combustibles, structures or damage fuel tank causing a fire.

- Keep at least 5 ft. (152 cm) clearance on all sides of pressure washer including overhead.

Place pressure washer outdoors in an area that will not accumulate deadly exhaust gas. **DO NOT** place pressure washer where exhaust gas **(A)** could accumulate and enter inside or be drawn into a potentially occupied building. Ensure exhaust gas is kept away from any windows, doors, ventilation intakes, or other openings that can allow exhaust gas to collect in a confined area. Prevailing winds and air currents should be taken into consideration when positioning pressure washer.

▲ WARNING Running engine gives off carbon monoxide, an odorless, colorless, poisonous gas. Breathing carbon monoxide can cause headache, fatigue, dizziness, vomiting, confusion, seizures, nausea, fainting or death.

- Operate pressure washer **ONLY** outdoors.
- Keep exhaust gas from entering a confined area through windows, doors, ventilation intakes, or other openings.
- **DO NOT** start or run engine indoors or in an enclosed area, even if windows and doors are open.



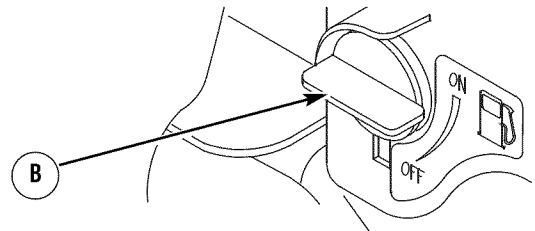
To Start Your Pressure Washer

To start your engine-powered pressure washer for the first time, follow these instructions step-by-step. This information also applies whenever you start the engine after you have let the pressure washer sit idle for at least a day.

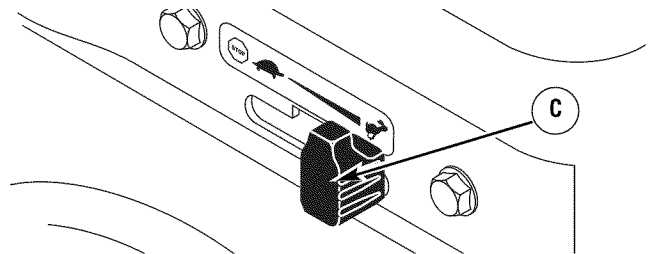
1. Place pressure washer near an outside water source capable of supplying water at a flow rate greater than 3.5 gallons per minute and no less than 20 PSI at pressure washer end of garden hose.
2. Check that high pressure hose is tightly connected to spray gun and pump. See *Assembly* for illustrations.
3. Make sure unit is in a level position.
4. Connect garden hose to water inlet on pressure washer pump.

NOTICE **DO NOT** run the pump without the water supply connected and turned on.

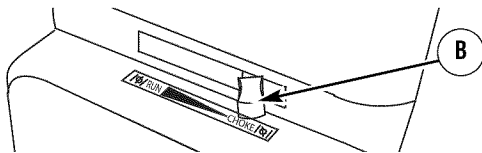
- Damage to equipment resulting from failure to follow this instruction will void warranty.
5. Turn **ON** the water, press red button on the gun and squeeze the trigger to purge the pump system of air and impurities.
 6. Attach PrecisionSpray™ Selector to spray gun according to PrecisionSpray™ Selector instruction sheet.
 7. Rotate fuel shut-off valve to "**On**" position **(B)** (fully counter-clockwise).



8. Move throttle lever **(C)** to "**Fast**" position, shown here as a rabbit.



9. Move choke lever (B) to “Choke” position.



NOTICE For a warm engine, be sure the choke lever is in the “Run” position.

NOTICE Before starting the pressure washer, be sure you are wearing safety goggles as described below.

▲ WARNING Risk of eye injury.
Spray can splash back or propel objects.



- Always wear indirect vented (chemical splash) safety goggles marked to comply with ANSI Z87.1 when using or in vicinity of this equipment.
- NEVER substitute safety glasses or dry-condition goggles for indirect vented safety goggles.

10. When starting engine, position yourself as recommended, grasp handle and pull recoil starter lightly until you feel some resistance, then pull briskly.



▲ WARNING Starter cord kickback (rapid retraction) can result in bodily injury. Kickback will pull hand and arm toward engine faster than you can let go. Broken bones, fractures, bruises, or sprains could result.



- NEVER pull starter cord without first relieving spray gun pressure.
- When starting engine, pull cord slowly until resistance is felt and then pull rapidly to avoid kickback.
- After each starting attempt, where engine fails to run, always point spray gun in safe direction, press red button and squeeze spray gun trigger to release high pressure.
- Firmly grasp spray gun with both hands when using high pressure spray to avoid injury when spray gun kicks back.

11. Return recoil starter slowly. DO NOT let rope “snap back” against starter.
12. When engine starts, slowly move choke lever to “Run” position, as engine warms. If engine falters, move choke lever to “Choke” position, then to “Run” position.
13. After each starting attempt, where engine fails to run, always point gun in safe direction, press red button and squeeze spray gun trigger to release high pressure. Move choke lever to “Choke” position, and repeat steps 10 through 12.
14. If engine fails to start after six pulls, move choke lever to “Run” position, and repeat steps 10 through 12.

NOTICE Always keep the throttle lever in the “Fast” position when operating the pressure washer.

▲ WARNING The high pressure stream of water that this equipment produces can cut through skin and its underlying tissues, leading to serious injury and possible amputation.



Spray gun traps high water pressure, even when engine is stopped and water is disconnected, which can cause injury.

- DO NOT allow CHILDREN to operate pressure washer.
- Keep high pressure hose connected to pump and spray gun while system is pressurized.
- NEVER aim spray gun at people, animals, or plants.
- DO NOT secure spray gun in open position.
- DO NOT leave spray gun unattended while machine is running.
- NEVER use a spray gun which does not have a trigger lock or trigger guard in place and in working order.
- Always be certain spray gun, nozzles and accessories are correctly attached.

▲ WARNING Contact with muffler area can result in serious burns. Exhaust heat/gases can ignite combustibles, structures or damage fuel tank causing a fire.



- DO NOT touch hot parts and AVOID hot exhaust gases.
 - Allow equipment to cool before touching.
 - Keep at least 5 feet (152 cm) of clearance on all sides of pressure washer including overhead.
 - It is a violation of California Public Resource Code, Section 4442, to use or operate the engine on any forest-covered, brush-covered, or grass-covered land unless the exhaust system is equipped with a spark arrester, as defined in Section 4442, maintained in effective working order. Other states or federal jurisdictions may have similar laws.
- Contact the original equipment manufacturer, retailer, or dealer to obtain a spark arrester designed for the exhaust system installed on this engine.
- Replacement parts must be the same and installed in the same position as the original parts.

How to Stop Your Pressure Washer

1. Release spray gun trigger and let engine idle for two minutes.
2. Move throttle to SLOW position, then STOP position.

▲ WARNING Backfire, fire or engine damage could occur.



- DO NOT stop engine by moving choke control to “Choke” position (I\I).

3. ALWAYS point spray gun in a safe direction, press red button and squeeze spray gun trigger to release retained high water pressure.

NOTICE Spray gun traps high water pressure, even when engine is stopped and water is disconnected.

▲ WARNING The high pressure stream of water that this equipment produces can cut through skin and its underlying tissues, leading to serious injury and possible amputation.



Spray gun traps high water pressure, even when engine is stopped and water is disconnected, which can cause injury.

- Keep high pressure hose connected to pump and spray gun while system is pressurized.
- ALWAYS point spray gun in safe direction, press red button and squeeze spray gun trigger to release high pressure, every time you stop engine.

How to Use PrecisionSpray™ Selector

Refer to the PrecisionSpray™ Selector instruction sheet for proper use.

NOTICE Product damage will occur if the gun trigger is squeezed while the Selector is in-between nozzle settings.

- NEVER turn the Selector while spraying.

Cleaning and Applying Detergent

▲ CAUTION Chemicals can cause bodily injury, and/or property damage.

- NEVER use caustic liquid with pressure washer.
- Use ONLY pressure washer safe detergents/soaps. Follow all manufacturers instructions.

To apply detergent follow these steps:

1. Attach one of the detergent siphon hoses following instructions *Attach Detergent Siphon Hose to Pump*.

NOTICE Contact with the hot muffler can damage detergent siphoning tube.

- When inserting the siphon into a detergent solution bottle, route the tube so as to keep it from inadvertently contacting the hot muffler.

2. Prepare detergent solution as required by job.
3. Make sure detergent shut-off valve on cleaning tank is in “Off” position.
4. If using cleaning tank, pour detergent into cleaning tank.

NOTICE The cleaning tank holds two gallons.

NOTICE Cleaning tank damage may occur if not drained prior to removing handle.

5. Rotate PrecisionSpray™ Selector to a low pressure position, as described in the PrecisionSpray™ Selector instruction sheet.

NOTICE Detergent cannot be applied with the PrecisionSpray™ Selector in a high pressure position.

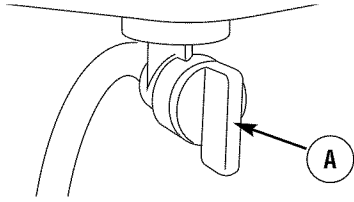
6. Make sure garden hose is connected to water inlet. Check that high pressure hose is connected to spray gun and pump. Turn on water.

NOTICE You must attach all hoses before you start the engine.

- Starting the engine without all the hoses connected and without the water turned ON will damage the pump.
- Damage to equipment resulting from failure to follow this instruction will void warranty.

7. Start engine following instructions *How to Start Your Pressure Washer*.

- 8A. If using cleaning tank, rotate detergent shut-off valve on cleaning tank to “**On**” position (**A**).



NOTICE If using detergent siphoning hose, make sure detergent shut-off valve on cleaning tank is in the “**Off**” position.

- 8B. If using detergent siphoning hose, place small filter end of detergent siphoning tube into detergent container.

NOTICE Contact with the hot muffler can damage detergent siphoning tube.

- When inserting the siphon into a detergent solution bottle, route the tube so as to keep it from inadvertently contacting the hot muffler.

NOTICE Make sure the filter is fully submerged in detergent while applying detergent.

9. Apply detergent to a dry surface, starting at lower portion of area to be washed and work upward, using long, even, overlapping strokes.
10. Allow detergent to “soak in” for 3-5 minutes before washing and rinsing. Reapply as needed to prevent surface from drying. **DO NOT** allow detergent to dry on (prevents streaking).

IMPORTANT: When using the detergent siphoning hose, you must flush the detergent siphoning system after each use by placing the filter into a bucket of clean water, then run the pressure washer in low pressure for 1-2 minutes.

Pressure Washer Rinsing

After detergent is applied, scour the surface and rinse it clean as follows:

1. If using cleaning tank, rotate detergent shut-off valve on cleaning tank to “**Off**” position.
2. Rotate PrecisionSpray™ Selector to a high pressure position, as described in the PrecisionSpray™ Selector instruction sheet.

3. Keep spray gun a safe distance from spray surface.

▲ WARNING Kickback from spray gun can cause you to fall.



- Operate pressure washer from a stable surface.
- Be extremely careful if you must use the pressure washer from a ladder, scaffolding, or any other similar location.
- Firmly grasp spray gun with both hands when using high pressure spray to avoid injury when spray gun kicks back.

4. Apply a high pressure spray to a small area and then check the surface for damage. If no damage, proceed to step 5.
5. Start at top of area to be rinsed, working down with same overlapping strokes used for cleaning.

Cleaning Detergent Siphoning Tube

If you used the detergent siphoning tube, you must flush it with clean water before stopping the engine.

1. Place detergent siphoning tube/filter in a bucket full of clean water.
2. Rotate PrecisionSpray™ Selector to a low pressure position, as described in the PrecisionSpray™ Selector instruction sheet.
3. Flush for 1-2 minutes.
4. Shut off engine following instructions *How to Stop Pressure Washer* and turn off water supply.
5. **ALWAYS** point spray gun in a safe direction push red button and squeeze spray gun trigger to release retained high water pressure.

NOTICE Spray gun traps high water pressure, even when engine is stopped and water is disconnected.

▲ WARNING The high pressure stream of water that this equipment produces can cut through skin and its underlying tissues, leading to serious injury and possible amputation.

Spray gun traps high water pressure, even when engine is stopped and water is disconnected, which can cause injury.

- Keep high pressure hose connected to pump and spray gun while system is pressurized.
- **ALWAYS** point spray gun in safe direction, press red button and squeeze spray gun trigger to release high pressure, every time you stop engine.

Automatic Cool Down System (Thermal Relief)

If you run the engine on your pressure washer for 3-5 minutes without pressing the trigger on the spray gun, circulating water in the pump can reach temperatures above 125°F. The system engages to cool the pump by **discharging the warm water onto the ground.**

SPECIFICATIONS

ENGINE TECHNICAL INFORMATION

This is a single cylinder, overhead valve (OHV), air cooled engine. It is a low emissions engine.

In the State of California, Model 120000 engines are certified by the California Air Resources Board to meet emissions standards for 125 hours. Such certification does not grant the purchaser, owner or operator of this engine any additional warranties with respect to the performance or operational life of this engine. The engine is warranted solely according to the product and emissions warranties stated elsewhere in this manual.

Power Ratings

The gross power rating for individual gas engine models is labeled in accordance with SAE (Society of Automotive Engineers) code J1940 (Small Engine Power & Torque Rating Procedure), and rating performance has been obtained and corrected in accordance with SAE J1995 (Revision 2002-05). Torque values are derived at 3060 RPM; horsepower values are derived at 3600 RPM. Actual gross engine power will be lower and is affected by, among other things, ambient operating conditions and engine-to-engine variability. Given both the wide array of products on which engines are placed and the variety of environmental issues applicable to operating the equipment, the gas engine will not develop the rated gross power when used in a given piece of power equipment (actual "on-site" or net power). This difference is due to a variety of factors including, but not limited to, accessories (air cleaner, exhaust, charging, cooling, carburetor, fuel pump, etc.), application limitations, ambient operating conditions (temperature, humidity, altitude), and engine-to-engine variability. Due to manufacturing and capacity limitations, Briggs & Stratton may substitute an engine of higher rated power for this Series engine.

This pressure washer is rated in accordance to the Pressure Washer Manufacturers Association (PWMA) standard PW101 (Testing and Rating Performance of Pressure Washers).

PRODUCT SPECIFICATIONS

Pressure Washer Specifications

Max Outlet Pressure 3,100 PSI
Max Flow Rate 2.5 GPM
Detergent Mix Use as directed
Water Supply Temperature Not to exceed 100°F

Engine Specifications

Bore 2.672 in. (68mm)
Stroke 2.204 in. (56mm)
Displacement 12.48 in. (206 cc)
Spark Plug
Resistor Type: Briggs & Stratton 491055
Long Life Platinum: Briggs & Stratton 5066
Set Gap To: 0.030inch (0.76mm)
Armature Air Gap: 0.010-0.014 in.(0.25-0.36mm)
Valve clearance with valve springs installed and piston 1/4 in.
(6 mm) past top dead center (check when engine is cold).
Intake 0.004-0.006 in.(0.10-0.15 mm)
Exhaust 0.009-0.011 in.(0.23-0.28 mm)
Fuel Capacity 1.6 Quarts
Oil Capacity 20 Ounces (0.6 liter)

NOTICE For practical operation, the engine load should not exceed 85% of rated power. Engine power will decrease 3-1/2% for each 1,000 feet (300 meters) above sea level and 1% for each 10° F (5.6° C) above 77° F (25° C). It should operate satisfactorily at an angle up to 15°.

MAINTENANCE

OWNER'S RESPONSIBILITIES

Follow the hourly or calendar intervals, whichever occurs first. More frequent service is required when operating in adverse conditions noted below.

First 5 Hours
<ul style="list-style-type: none">• Change engine oil
Every 8 Hours or Daily
<ul style="list-style-type: none">• Check/clean water inlet screen¹• Check high pressure hose• Check detergent siphoning hoses/tank• Check spray gun and assembly for leaks• Clean debris• Check engine oil level
Every 25 Hours or Yearly
<ul style="list-style-type: none">• Service engine air cleaner²
Every 50 Hours or Yearly
<ul style="list-style-type: none">• Change engine oil²• Inspect muffler and spark arrester
Every 100 Hours or Yearly
<ul style="list-style-type: none">• Service spark plug• Clean cooling system²

¹ Clean if clogged. Replace if perforated or torn.

² Service more often under dirty or dusty conditions.

General Recommendations

Regular maintenance will improve the performance and extend the life of the pressure washer. See any Sears or other qualified service dealer for service.

The pressure washer warranty does not cover items that have been subjected to operator abuse or negligence. To receive full value from the warranty, the operator must maintain pressure washer as instructed in this manual including proper storage as detailed in *Storage*.

Some adjustments will need to be made periodically to properly maintain your pressure washer.

All service and adjustments should be made at least once each season. Follow the requirements in the *Maintenance Schedule* chart above.

NOTICE Once a year you should clean or replace the spark plug and replace the air filter. A new spark plug and clean air filter assure proper fuel-air mixture and help your engine run better and last longer.

Pump Oil

DO NOT attempt any oil maintenance on this pump. The pump is pre-lubricated and sealed from the factory, requiring no additional maintenance for the life of the pump.

Emissions Control

Maintenance, replacement, or repair of the emissions control devices and systems may be performed by any non-road engine repair establishment or individual. However, to obtain "no charge" emissions control service, the work must be performed by a factory authorized dealer. See the *Emissions Warranty*.

Before Each Use

1. Check engine oil level.
2. Clean debris.
3. Check detergent siphoning hoses/cleaning tank for damage.
4. Check water inlet screen for damage.
5. Check high pressure hose for leaks.
6. Check spray gun for leaks.
7. Purge pump of air and contaminants.

PRESSURE WASHER MAINTENANCE

Clean Debris

Daily or before use, clean accumulated debris from pressure washer. Keep linkage, spring and controls clean. Keep area around and behind muffler free from any combustible debris. Inspect cooling air slots and openings on the pressure washer. These openings must be kept clean and unobstructed.

Pressure washer parts should be kept clean to reduce the risk of overheating and ignition of accumulated debris.

- Use a damp cloth to wipe exterior surfaces clean.

NOTICE Improper treatment of pressure washer can damage it and shorten its life.

- DO NOT insert any objects through cooling slots.

- Use a soft bristle brush to loosen caked on dirt, oil, etc.
- Use a vacuum cleaner to pick up loose dirt and debris.

Check and Clean Inlet Screen

Examine garden hose inlet screen. Clean if it is clogged or replace if it is torn.

Check High Pressure Hose

High pressure hoses can develop leaks from wear, kinking, or abuse. Inspect hose before each use. Check for cuts, leaks, abrasions, bulging of cover, or damage or movement of couplings. If any of these conditions exist, replace hose immediately.

- ▲ WARNING** The high pressure stream of water that this equipment produces can cut through skin and its underlying tissues, leading to serious injury and possible amputation.
- NEVER repair high pressure hose. Replace it.
 - Replacement hose rating MUST exceed maximum pressure rating of unit.

Check Detergent Siphoning Hoses/Cleaning Tank

Examine the cleaning tank and detergent siphoning hoses and clean if clogged. The hose should fit tightly on the barbed fitting of the pump and detergent shut-off valve. Examine the hoses for leaks or tears. Replace the tank or hoses if either is damaged.

Check Spray Gun

Examine the hose connection to the spray gun and make sure it is secure. Test the trigger by pressing the red button and making sure the trigger “springs back” into place when you release it. You should not be able to press the trigger without pressing the red button. Replace spray gun immediately if it fails any of these tests.

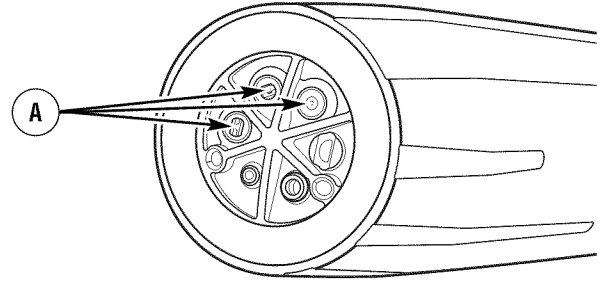
Nozzle Maintenance

A pulsing sensation felt while squeezing the spray gun trigger may be caused by excessive pump pressure. The principal cause of excessive pump pressure is a nozzle clogged or restricted with foreign materials, such as dirt, etc. To correct the problem, immediately clean the nozzle following these instructions:

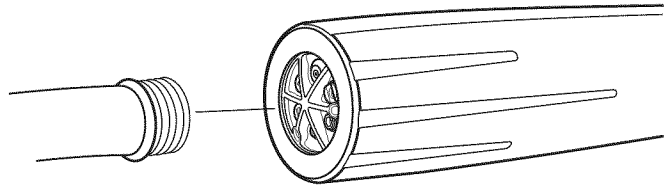
1. Shut off engine and turn off water supply.
2. ALWAYS point spray gun in a safe direction, press red button and squeeze spray gun trigger to release retained high water pressure.

- ▲ WARNING** The high pressure stream of water that this equipment produces can cut through skin and its underlying tissues, leading to serious injury and possible amputation.
- Spray gun traps high water pressure, even when engine is stopped and water is disconnected, which can cause injury.
- Keep high pressure hose connected to pump and spray gun while system is pressurized.
 - ALWAYS point spray gun in safe direction, press red button and squeeze spray gun trigger to release high pressure, every time you stop engine.

3. Disconnect PrecisionSpray™ Selector from spray gun.
4. Use a small paper clip to free any foreign material clogging or restricting the high pressure nozzles (A).



5. Using a garden hose, remove additional debris by back flushing water through PrecisionSpray™ Selector. Back flush between 30 to 60 seconds.



6. Reconnect PrecisionSpray™ Selector to spray gun.
7. Make sure garden hose is connected to water inlet. Check that high pressure hose is connected to spray gun and pump. Turn on water.
8. Start engine following instructions *How to Start Your Pressure Washer*.
9. Test pressure washer by operating with each nozzle selection.

O-Ring Maintenance

Purchase an O-Ring Repair Kit at your local Sears or by calling **1-800-4-MY-HOME (469-4663)** or online at www.sears.com. It is not included with the pressure washer. This kit includes replacement o-rings, rubber washer and water inlet filter. Refer to the instruction sheet provided in the kit to service your unit's o-rings.

- ▲ WARNING** The high pressure stream of water that this equipment produces can cut through skin and its underlying tissues, leading to serious injury and possible amputation.
- NEVER repair leaking connections with sealant of any kind. Replace o-ring or seal.

ENGINE MAINTENANCE

▲ WARNING Unintentional sparking can result in fire or electric shock.



WHEN ADJUSTING OR MAKING REPAIRS TO YOUR PRESSURE WASHER

- Disconnect the spark plug wire from the spark plug and place the wire where it cannot contact spark plug.

WHEN TESTING FOR ENGINE SPARK

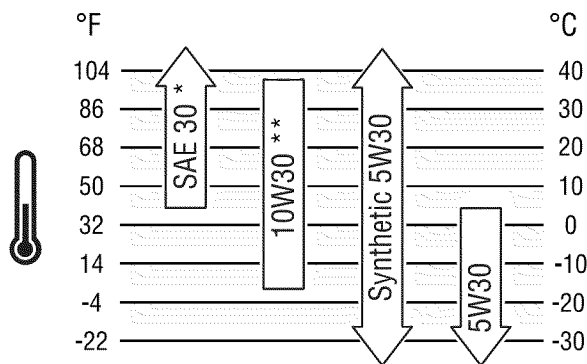
- Use approved spark plug tester.
- DO NOT check for spark with spark plug removed.

Oil

Oil Recommendations

We recommend the use of Briggs & Stratton Warranty Certified oils for best performance. Other high-quality detergent oils are acceptable if classified for service SF, SG, SH, SJ or higher. DO NOT use special additives.

Outdoor temperatures determine the proper oil viscosity for the engine. Use the chart to select the best viscosity for the outdoor temperature range expected.



* Below 40°F (4°C) the use of SAE 30 will result in hard starting.

** Above 80°F (27°C) the use of 10W30 may cause increased oil consumption. Check oil level more frequently.



NOTICE Synthetic oil meeting ILSAC GF-2, API certification mark and API service symbol with “SJ/CF ENERGY CONSERVING” or higher, is an acceptable oil at all temperatures. Use of synthetic oil does not alter required oil change intervals.



Checking Oil Level

Oil level should be checked prior to each use or at least every 8 hours of operation. Keep oil level maintained.

1. Make sure pressure washer is on a level surface.
2. Remove oil fill cap and wipe clean with cloth.
3. Verify oil is at the point of overflowing at oil fill opening. Replace and tighten oil fill cap.

Adding Engine Oil

1. Make sure pressure washer is on a level surface.
2. Check oil level as described in *Checking Oil Level*.
3. If needed, slowly pour oil into oil fill opening to the point of overflowing at oil fill cap.
4. Replace and tighten oil fill cap.

Changing Engine Oil

If you are using your pressure washer under extremely dirty or dusty conditions, or in extremely hot weather, change oil more often.

▲ CAUTION Avoid prolonged or repeated skin contact with used motor oil.

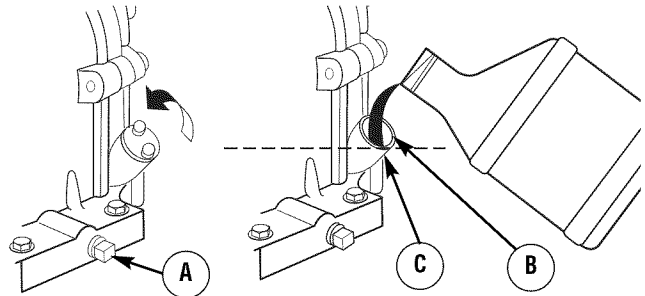
- Used motor oil has been shown to cause skin cancer in certain laboratory animals.
- Thoroughly wash exposed areas with soap and water.



KEEP OUT OF REACH OF CHILDREN. DON'T POLLUTE. CONSERVE RESOURCES. RETURN USED OIL TO COLLECTION CENTERS.

Change oil while engine is still warm from running, as follows:

1. Make sure unit is on a level surface.
2. Disconnect the spark plug wire from the spark plug and place the wire where it cannot contact spark plug.
3. Clean area around oil drain plug (A). The oil drain plug is located at base of engine, opposite carburetor.



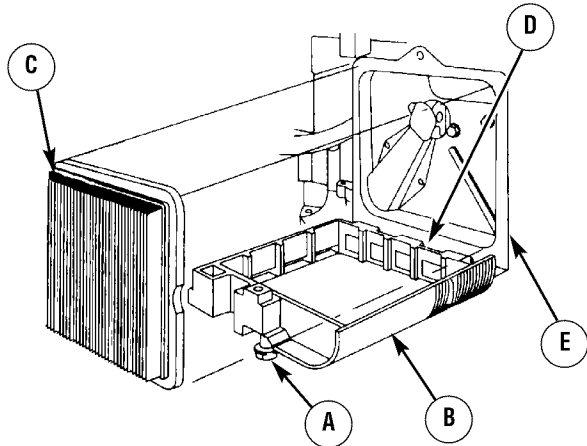
4. Remove oil drain plug and drain oil completely into a suitable container.
5. Reinstall oil drain plug and tighten securely. Remove oil fill cap.
6. Slowly pour oil (about 20 oz.) into oil fill opening (B) to the point of overflowing (C) at oil fill cap.
7. Reinstall oil fill cap. Finger tighten cap securely.
8. Wipe up any spilled oil.

Service Air Cleaner

Your engine will not run properly and may be damaged if you run it with a dirty air cleaner. Service more often if operating under dirty or dusty conditions. Replacements are available at your local Sears service center.

To service the air cleaner, follow these steps:

1. Loosen screw (A) and tilt cover (B) down.



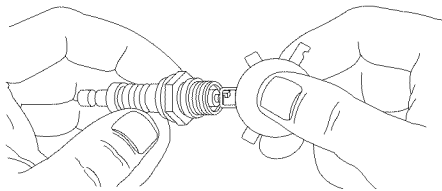
2. Carefully remove cartridge (C) assembly.
3. To clean cartridge, gently tap pleated paper side on a flat surface.
4. Reinstall clean or new cartridge assembly inside cover.
5. Insert cover's tabs (D) into slots in bottom of base (E).
6. Tilt cover up and tighten screw securely to base.

NOTICE You can purchase new air filter elements by calling 1-800-4-MY-HOME (469-4663).

Service Spark Plug

Changing the spark plug will help your engine to start easier and run better.

1. Clean area around spark plug.
2. Remove and inspect spark plug.
3. Replace spark plug if electrodes are pitted, burned or porcelain is cracked. Use the recommended replacement plug. See *Specifications*.
4. Check electrode gap with wire feeler gauge and reset spark plug gap to recommended gap if necessary (see *Specifications*).



5. Install spark plug and tighten firmly.

NOTICE You can purchase a new spark plug by calling 1-800-4-MY-HOME (469-4663).

Inspect Muffler and Spark Arrester

Inspect the muffler for cracks, corrosion, or other damage. Remove the spark arrester, if equipped, and inspect for damage or carbon blockage. If replacement parts are required, make sure to use only original equipment replacement parts.

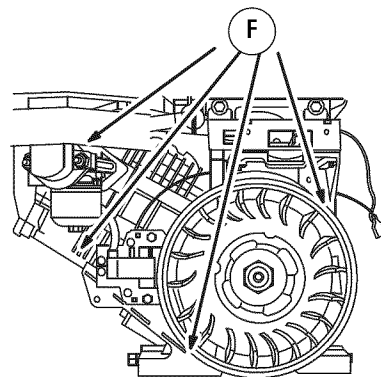
▲ WARNING Contact with muffler area can result in serious burns. Exhaust heat/gases can ignite combustibles, structures or damage fuel tank causing a fire.



- DO NOT touch hot parts and AVOID hot exhaust gases.
 - Allow equipment to cool before touching.
 - Keep at least 5 feet (152 cm) of clearance on all sides of pressure washer including overhead.
 - It is a violation of California Public Resource Code, Section 4442, to use or operate the engine on any forest-covered, brush-covered, or grass-covered land unless the exhaust system is equipped with a spark arrester, as defined in Section 4442, maintained in effective working order. Other states or federal jurisdictions may have similar laws.
- Contact the original equipment manufacturer, retailer, or dealer to obtain a spark arrester designed for the exhaust system installed on this engine.
- Replacement parts must be the same and installed in the same position as the original parts.

Air Cooling System

Over time debris may accumulate in cylinder cooling fins and cannot be observed without partial engine disassembly. For this reason, we recommend you have a qualified Sears service dealer clean the cooling system (F) per recommended intervals (see *Maintenance Schedule*). Equally important is to keep top of engine free from debris. See *Clean Debris*.



AFTER EACH USE

Water should not remain in the unit for long periods of time. Sediments or minerals can deposit on pump parts and “freeze” pump action. Follow these procedures after every use:

1. Flush detergent system by turning its detergent shut-off valve to “**Off**” position and run pressure washer with PrecisionSpray™ Selector in a low pressure position. Flush for one to two minutes.
2. Shut off engine, turn off water supply, point gun in a safe direction, press red button and squeeze trigger to relieve trapped pressure and let engine cool.

▲ WARNING The high pressure stream of water that this equipment produces can cut through skin and its underlying tissues, leading to serious injury and possible amputation.



Spray gun traps high water pressure, even when engine is stopped and water is disconnected, which can cause injury.

- Keep high pressure hose connected to pump and spray gun while system is pressurized.
- ALWAYS point spray gun in safe direction, press red button and squeeze spray gun trigger to release high pressure, every time you stop engine.

3. Disconnect hose from spray gun and high pressure outlet on pump. Drain water from hose, gun, and spray tip extension. Use a rag to wipe off the hose.
4. Empty pump of all pumped liquids by pulling recoil handle about 6 times. This should remove most liquid in pump.
5. Coil high pressure hose on hook provided on handle.
6. Store unit in a clean, dry area.
7. If storing for more than 30 days see *Long Term Storage* on next page.

▲ WARNING Fuel and its vapors are extremely flammable and explosive. Fire or explosion can cause severe burns or death.



WHEN STORING FUEL OR EQUIPMENT WITH FUEL IN TANK

- Store away from furnaces, stoves, water heaters, clothes dryers, or other appliances that have pilot light or other ignition source because they can ignite fuel vapors.

STORAGE

WINTER STORAGE

NOTICE You must protect your unit from freezing temperatures.

- Failure to do so will permanently damage your pump and render your unit inoperable.
- Freeze damage is not covered under warranty.

To protect the unit from freezing temperatures:

1. Empty cleaning tank as follows:
 - a. Disconnect hose connected to injection fitting on pump. Place end of hose into suitable container.
 - b. Rotate detergent shut-off valve to “On” position and open the tanks cover. Gravity will empty tank contents into container.
 - c. Reconnect hose to injection fitting on pump. Add 0.5 quart of clean fresh water to cleaning tank and close tanks cover.
2. Flush detergent system by turning detergent shut-off valve to “On” position, rotate PrecisionSpray™ Selector to a low pressure position and run pressure washer. Flush until cleaning tank is empty. Turn its detergent shut-off valve to “Off” position.
3. Follow steps 2-5 in the previous section *After Each Use*.
4. Use pump saver, available at Sears retail item 7174403GS, to treat pump. This minimizes freeze damage and lubricates pistons and seals.
5. If pump saver is not available, connect a 3-foot section of garden hose to water inlet adapter. Pour RV-antifreeze (antifreeze without alcohol) into hose. Pull recoil handle twice. Disconnect 3-foot hose.
6. Store unit in a clean, dry area.

LONG TERM STORAGE

If you do not plan to use the pressure washer for more than 30 days, you must prepare the engine and pump for long term storage.

It is important to prevent gum deposits from forming in essential fuel system parts such as the carburetor, fuel filter, fuel hose or tank during storage. Also, experience indicates that alcohol-blended fuels (called gasohol, ethanol or methanol) can attract moisture, which leads to separation and formation of acids during storage. Acidic gas can damage the fuel system of an engine while in storage.

Protect Fuel System

Fuel Additive:

Fuel can become stale when stored over 30 days. Stale fuel causes acid and gum deposits to form in the fuel system or on essential carburetor parts. To keep fuel fresh, use Briggs & Stratton FRESH START® fuel stabilizer, available as a liquid additive or a drip concentrate cartridge.

There is no need to drain gasoline from the engine if a fuel stabilizer is added according to instructions. Run the engine for 2 minutes to circulate the stabilizer throughout the fuel system. The engine and fuel can then be stored up to 24 months.

If gasoline in the engine has not been treated with a fuel stabilizer, it must be drained into an approved container. Run the engine until it stops from lack of fuel. The use of a fuel stabilizer in the storage container is recommended to maintain freshness.

Change Oil

While engine is still warm, drain oil from crankcase. Refill with recommended grade. See *Changing Engine Oil*.

Protect Pump

To protect the pump from damage caused by mineral deposits or freezing, use PumpSaver, retail item 7174403GS, to treat pump. This prevents freeze damage and lubricates pistons and seals.

NOTICE PumpSaver is available as an optional accessory. It is not included with the pressure washer. Contact your local Sears service center to purchase PumpSaver.

NOTICE You must protect your unit from freezing temperatures.

- Failure to do so will permanently damage your pump and render your unit inoperable.
- Freeze damage is not covered under warranty.

To use PumpSaver, make sure the pressure washer is turned off and disconnected from supply water. Read and follow all instructions and warnings given on the PumpSaver container.

Other Storage Tips

1. DO NOT store fuel from one season to another unless it has been treated as described in *Protect Fuel System*.
2. Replace fuel container if it starts to rust. Rust and/or dirt in fuel can cause problems if it's used with this unit.
3. Cover unit with a suitable protective cover that does not retain moisture.

▲ WARNING Storage covers can be flammable.



- DO NOT place a storage cover over a hot pressure washer.
- Let equipment cool for a sufficient time before placing the cover on the equipment.

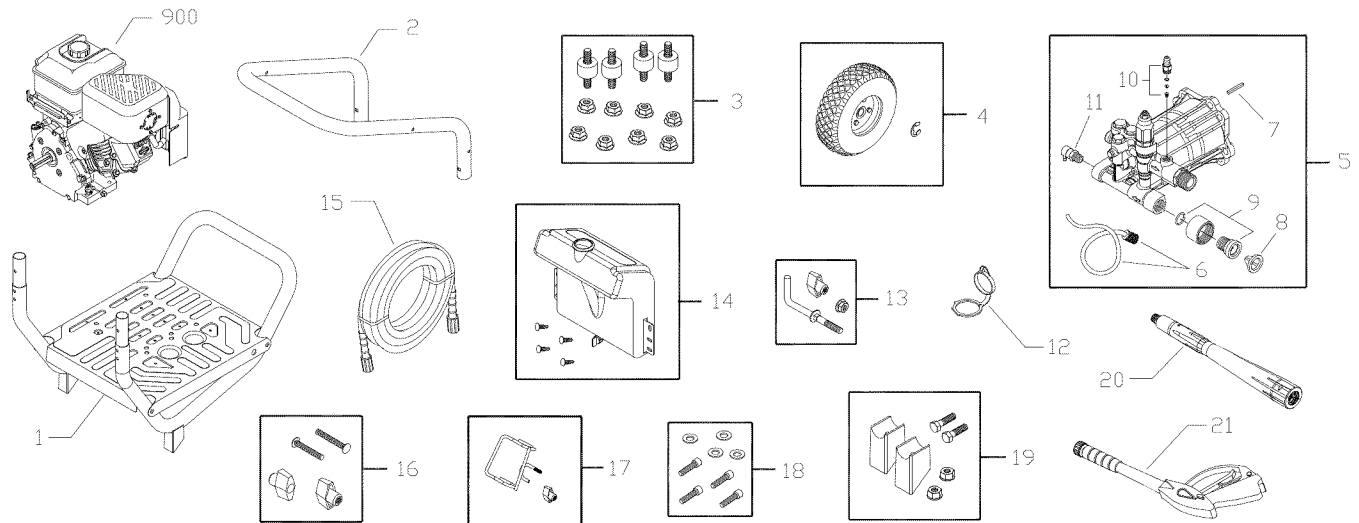
4. Store unit in a clean and dry area.

TROUBLESHOOTING

Problem	Cause	Correction
Pump has following problems: failure to produce pressure, erratic pressure, chattering, loss of pressure, low water volume.	<ol style="list-style-type: none"> 1. PrecisionSpray™ Selector is in a low pressure position. 2. Water inlet is blocked. 3. Inadequate water supply. 4. Inlet hose is kinked or leaking. 5. Clogged inlet hose strainer. 6. Water supply is over 100°F. 7. High pressure hose is blocked or leaks. 8. Gun leaks. 9. Nozzle in PrecisionSpray™ Selector is obstructed. 10. Pump is faulty. 	<ol style="list-style-type: none"> 1. Rotate PrecisionSpray™ Selector to a high pressure position. 2. Clear inlet. 3. Provide adequate water flow. 4. Straighten inlet hose, patch leak. 5. Check and clean inlet hose strainer. 6. Provide cooler water supply. 7. Clear blocks in high pressure hose or replace hose. 8. Replace gun. 9. Clean PrecisionSpray™ Selector nozzles. 10. Contact Sears service facility
Detergent fails to mix with spray.	<ol style="list-style-type: none"> 1. Detergent shut-off valve is in the "Off" position. 2. PrecisionSpray™ Selector is in a high pressure position. 	<ol style="list-style-type: none"> 1. Rotate detergent shut-off valve to "On" position. 2. Rotate PrecisionSpray™ Selector to a low pressure position.
Engine runs good at no-load but "bogs" when load is added.	Engine speed is too slow.	Move throttle control to FAST position. If engine still "bogs down", contact Sears service facility.
Engine will not start; or starts and runs rough.	<ol style="list-style-type: none"> 1. Dirty air cleaner. 2. Out of fuel. 3. Stale fuel. 4. Spark plug wire not connected to spark plug. 5. Bad spark plug. 6. Water in fuel. 7. Overchoking. 8. Excessively rich fuel mixture. 	<ol style="list-style-type: none"> 1. Clean or replace air cleaner. 2. Fill fuel tank. 3. Drain fuel tank; fill with fresh fuel. 4. Connect wire to spark plug. 5. Replace spark plug. 6. Drain fuel tank; fill with fresh fuel. 7. Open choke fully and crank engine. 8. Contact Sears service facility.
Engine shuts down during operation.	Out of fuel.	Fill fuel tank.
Engine lacks power.	Dirty air filter.	Replace air filter.
Engine "hunts" or falters.	Choke is opened too soon.	Move choke to halfway position until engine runs smoothly.

PARTS

SNAPPER 3100 PSI Pressure Washer 580.752641 Main Unit — Exploded View and Parts List

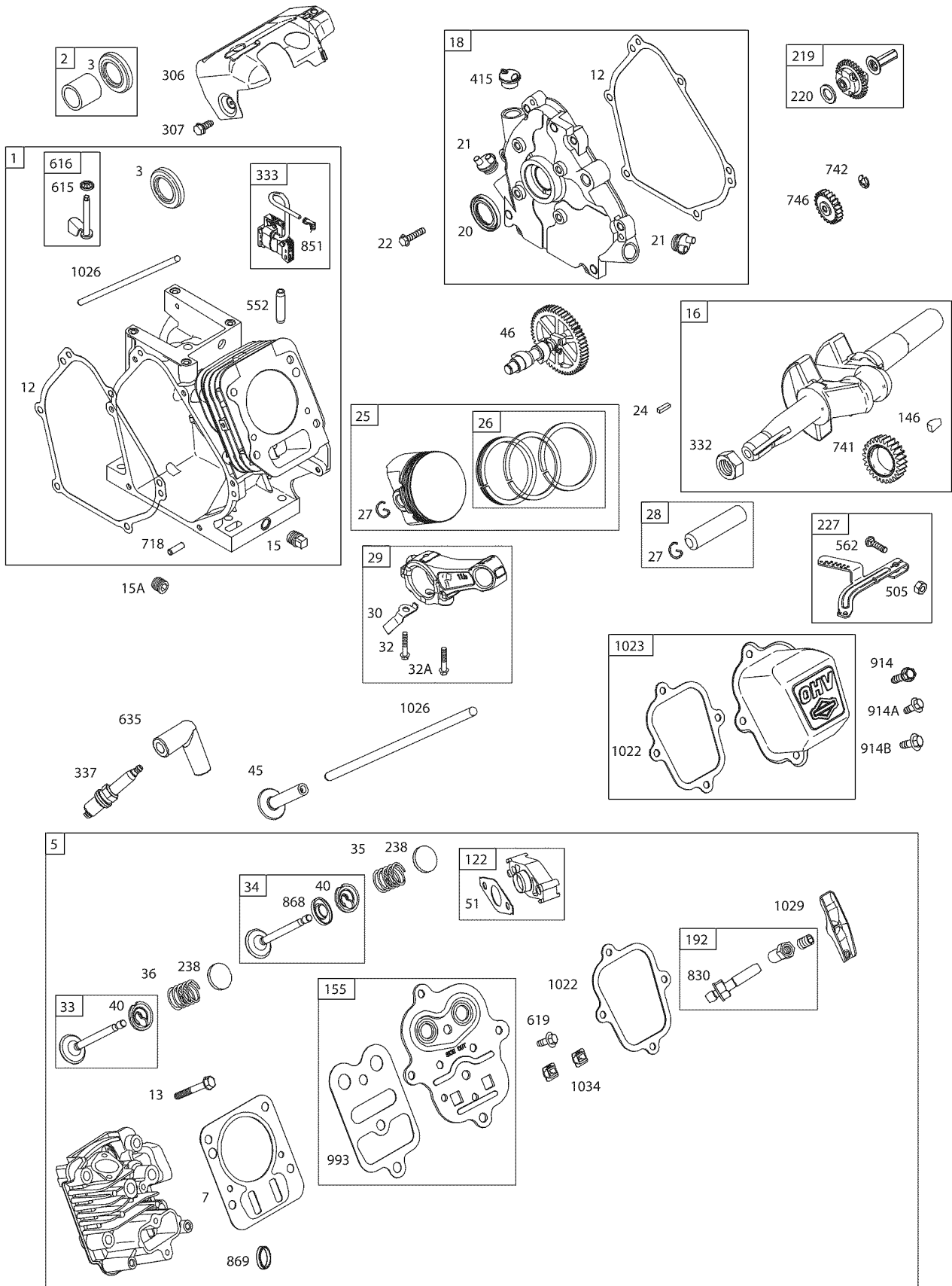


Item	Part #	Description
1	209897GS	BASE
2	AG208900GS	HANDLE
3	192134GS	KIT - VIBRATION MOUNT
4	194509GS	KIT - WHEEL
5	203901GS	PUMP
6	189971GS	Chemical Hose
7	23139DGS	Key
8	B2384GS	Filter, Inlet
9	204085GS	Kit, Water Inlet
10	192914GS	Kit, Hose Tail
11	208673GS	Valve, Thermal Relief
12	B3222EGS	CAP - CHEMICAL TANK
13	194264GS	HOOK
14	209325GS	TANK - CHEMICAL
	195964GS	Clip
	192980GS	Kit, Valve
15	209283GS	HOSE
16	B2203GS	KIT - HARDWARE HANDLE
17	201661GS	WIREFORM
18	192131GS	KIT - HRDWR PUMP MOUNTING
19	209884GS	KIT - VIBRATION MOUNT
20	201202GS	WAND - SPRAY SELECT
21	199990GS	GUN
900	NSP	ENGINE (121012-0122-B8) (see pages 24-27)

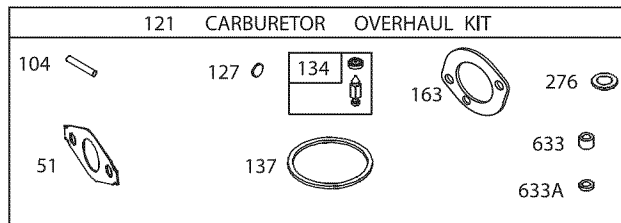
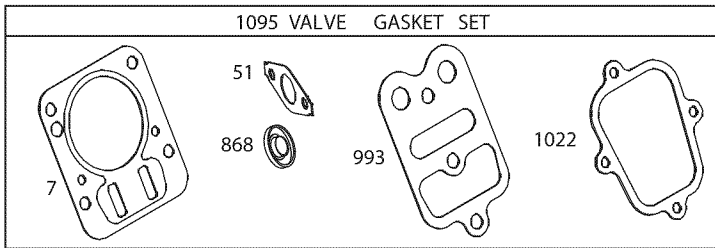
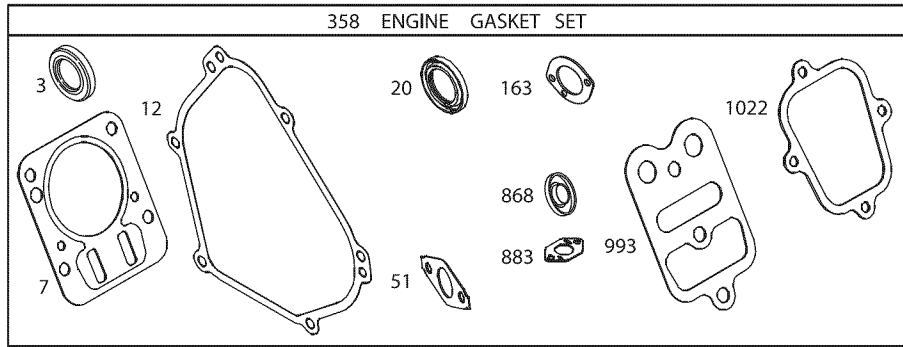
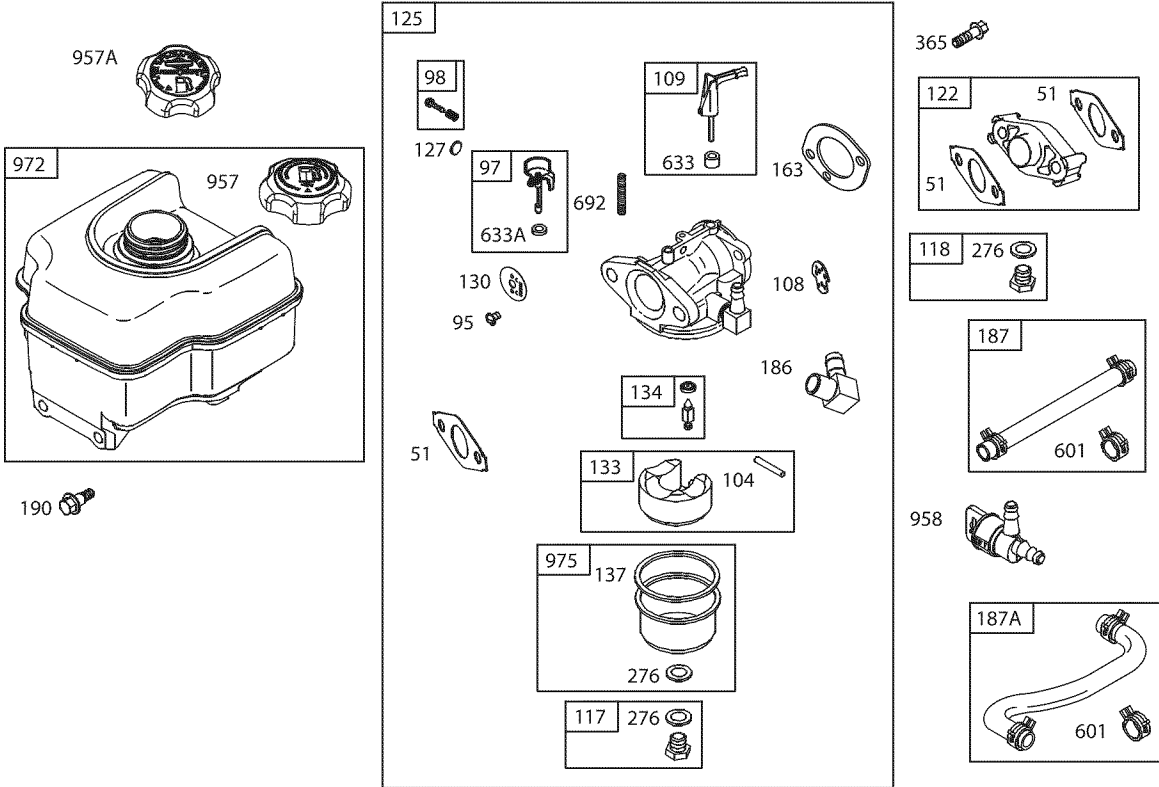
Items Not Illustrated	Part #	Description
	209811GS	MANUAL - OPERATOR'S
	208097GS	AXLE
	AB3061BGS	OIL BOTTLE
	695755	KNOB - THROTTLE
	200658GS	DECAL - RECOIL
	208925GS	DECAL - AIR CLEANER
	209476GS	DECAL - ENGINE
	208918GS	DECAL - UNIT
	194256GS	TAG - WARNING

Optional Accessories Not Illustrated	Part #	Description
	7175187	Garden Hose Quick Connect
	7175197	Accessory Quick Connect
	7175124	Rotating Brush Kit
	7175122	30' Replacement Hose
	7175116	O Ring Repair Kit
	7175129	Turbo Nozzle
	7175121	25' Extension Hose
	7174402	Hose Reel
	7174403	Pump Saver
	7133386	CARTRIDGE, Fresh Start
	7174404	Project Pro® PerfectMix™ Multi-Purpose and Vehicle Cleaner
	7174405	Project Pro® PerfectMix™ Concrete, Brick, and Tile Cleaner
	7174406	Project Pro® PerfectMix™ Mold and Mildew Cleaner

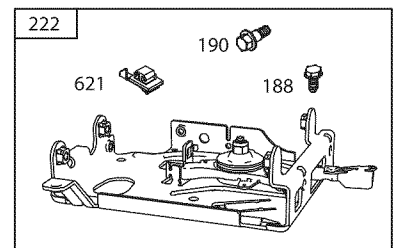
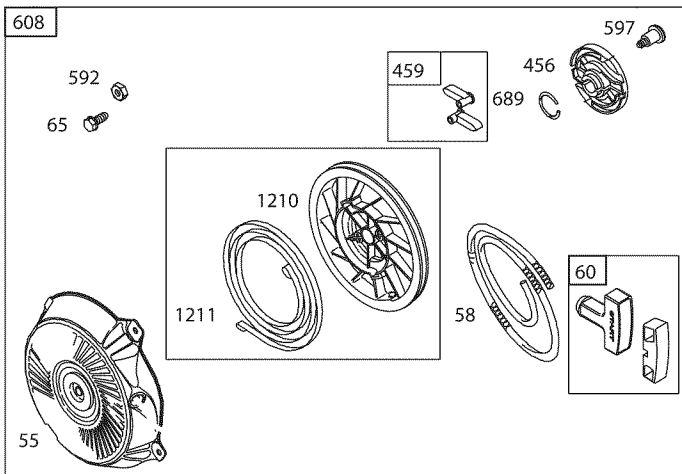
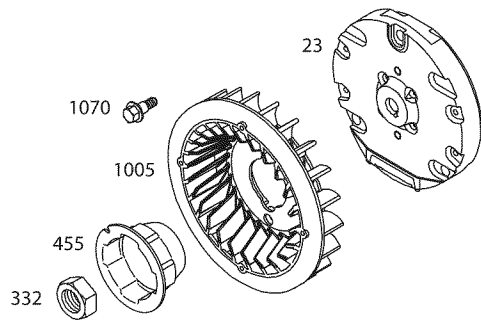
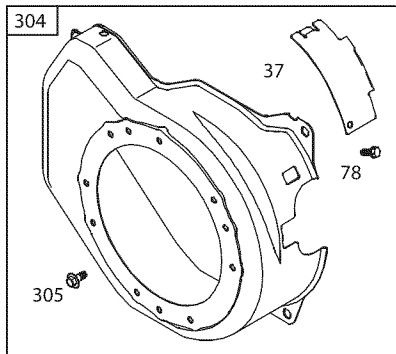
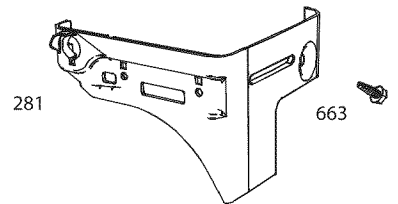
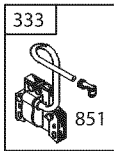
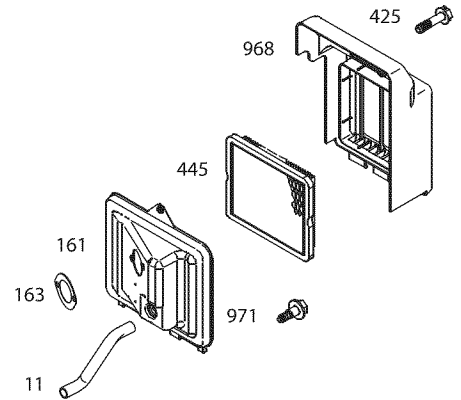
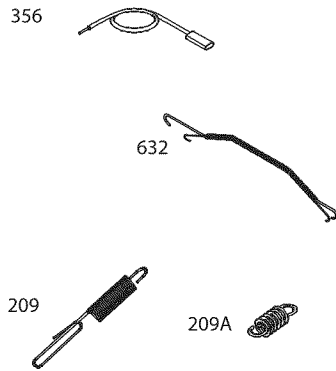
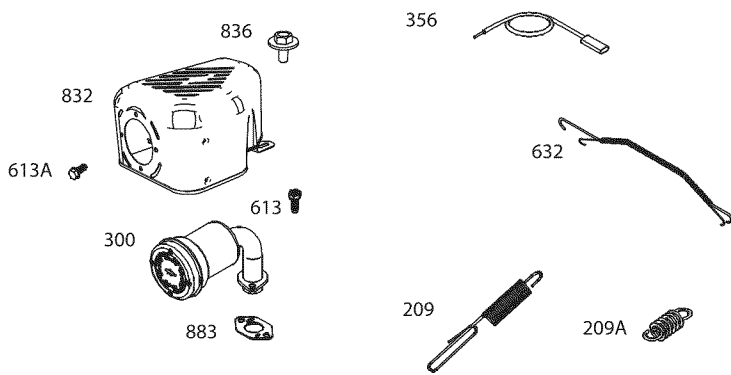
ENGINE, Briggs & Stratton, 121012 – Exploded View



ENGINE, Briggs & Stratton, 121012 – Exploded View



ENGINE, Briggs & Stratton, 121012 – Exploded View



ENGINE, Briggs & Stratton, 121012 – Parts List

Item	Part #	Description	Item	Part #	Description
1	697322	Cylinder Assembly	238	691300	Valve-Cap
2	399269	Kit-Bushing/Seal (Magneto Side)	276	271716	Washer-Sealing
3	299819s	Seal-Oil (Magneto Side)	281	793122	Panel-Control
5	699486	Head-Cylinder	300	693593	Muffler
7	698210	Gasket-Cylinder Head	304	699598	Housing-Blower
11	692600	Tube-Breather	305	699480	Screw (Blower Housing)
12	699485	Gasket-Crankcase	306	795334	Shield-Cylinder
13	699482	Screw (Cylinder Head)	307	699483	Screw (Cylinder Shield)
15	691686	Plug-Oil Drain	332	792723	Nut (Flywheel)
15A	691682	Plug-Oil Drain	333	695711	Armature-Magneto
16	699445	Crankshaft	334	699477	Screw (Magneto Armature)
18	699804	Cover-Crankshaft	337	491055s	Plug-Spark
20	692550	Seal-Oil (PTO Side)	356	692390	Wire-Stop
21	281658s	Cap-Oil Fill	358	791797	Gasket Set-Engine
22	699478	Screw (Crankcase Cover/Sump)	365	699484	Screw (Carburetor)
23	699488	Flywheel	415	693463	Plug (Crankcase Cover)
24	222698s	Key-Flywheel	425	699208	Screw (Air Cleaner Cover)
25	791968	Piston Assembly (Standard)	445	491588s	Filter-Air Cleaner Cartridge
	793000	Piston Assembly (.020" Oversize)	455	692591	Cup-Flywheel
26	791969	Ring Set (Standard)	456	692299	Plate-Pawl Friction
	793001	Ring Set (.020" Oversize)	459	281505s	Pawl-Ratchet
27	691866	Lock-Piston Pin	505	691251	Nut (Governor Control Lever)
28	499423	Pin-Piston	552	692346	Bushing-Governor Crank
29	690124	Rod-Connecting	562	691119	Bolt (Governor Control Lever)
30	791584	Dipper-Connecting Rod	592	690800	Nut (Rewind Starter)
32	691664	Screw (Connecting Rod) (Short)	597	691696	Screw (Pawl Friction Plate)
32A	695759	Screw (Connecting Rod) (Long)	601	791850	Clamp-Hose (Green)
33	499642	Valve-Exhaust	608	795930	Starter-Rewind
34	795443	Valve-Intake	613	699209	Screw (Muffler) (M6x20mm Long)
35	691304	Spring-Valve (Intake)	613A	699203	Screw (Muffler)
36	691304	Spring-Valve (Exhaust)	615	692576	Retainer-Governor Shaft
37	699661	Guard-Flywheel	616	692547	Crank-Governor
40	692194	Retainer-Valve	619	699230	Screw (Cylinder Head Plate)
45	690977	Tappet-Valve	621	692310	Switch-Stop
46	693404	Camshaft	632	693408	Spring/Link-Mechanical Governor
51	692555	Gasket-Intake	633	693867	Seal-Choke/Throttle Shaft (Choke Shaft)
55	791848	Housing-Rewind Starter	633A	691321	Seal-Choke/Throttle Shaft (Throttle Shaft)
58	693389	Rope-Starter	635	692076	Boot-Spark Plug
60	490652	Grip-Starter Rope	663	699206	Screw (Control Panel)
65	690837	Screw (Rewind Starter) (SAE)	677	699203	Screw (Muffler Deflector)
65A	699228	Screw (Rewind Starter) (Metric) (Original Equipment)	689	691855	Spring-Friction (Rewind Starter)
78	699205	Screw (Flywheel Guard)	692	690572	Spring-Detent
95	691636	Screw (Throttle Valve)	718	690959	Pin-Locating
97	690024	Shaft-Throttle	741	695087	Gear-Timing
98	398185	Kit-Idle Speed	742	692564	Retainer-E Ring
104	691242	Pin-Float Hinge	746	790278	Gear-Idler
108	692567	Valve-Choke	830	694544	Stud-Rocker Arm
109	690023	Shaft-Choke	832	693583	Guard-Muffler
117	690048	Jet-Main (Standard)	836	699632	Screw (Muffler Guard) (M6x14mm Long)
118	497315	Jet-Main (High Altitude)	851	493880s	Terminal-Spark Plug
121	792006	Kit-Carburetor Overhaul	868	795440	Seal-Valve
122	795643	Spacer-Carburetor	869	691155	Seal-Valve
125	698474	Carburetor	883	691893	Gasket-Exhaust
127	691739	Plug-Welch	914	699480	Screw (Rocker Cover) (Bottom)
130	691181	Valve-Throttle	914A	692557	Screw (Rocker Cover) (Top)
133	398187	Float-Carburetor	914B	697551	Screw (Rocker Cover) (Center)
134	398188	Kit-Needle/Seat	957	795027	Cap-Fuel Tank
137	693981	Gasket-Float Bowl	957A	792647	Cap-Fuel Tank (Original Equipment)
146	690979	Key-Timing	958	698180	Valve-Fuel Shut Off
155	698214	Plate-Cylinder Head	968	692584	Cover-Air Cleaner
161	699207	Base-Air Cleaner	971	690370	Screw (Air Cleaner Base to Carburetor)
163	696024	Gasket-Air Cleaner	972	694260	Tank-Fuel
186	692317	Connector-Hose	975	790559	Bowl-Float
187	791766	Line-Fuel (Cut To Required Length)	993	694088	Gasket-Cylinder Head Plate
187A	791867	Line-Fuel (Formed)	1005	692592	Fan-Flywheel
188	699479	Screw (Control Bracket)	1022	691890	Gasket-Rocker Cover
190	699220	Screw (Fuel Tank)	1023	499924	Cover-Rocker
192	694543	Adjustor-Rocker Arm	1026	790287	Rod-Push
209	692579	Spring-Governor	1029	691230	Arm-Rocker
209A	691278	Spring-Governor (Platinum)	1034	691343	Guide-Push Rod
219	693578	Gear-Governor	1070	699201	Screw (Flywheel Fan)
220	691724	Washer (Governor Gear)	1095	791798	Gasket Set-Valve
222	793108	Bracket-Control	1210	791849	Pulley/Spring Assembly (Pulley)
227	794367	Lever-Governor Control	1211	791849	Pulley/Spring Assembly (Spring)

EMISSION CONTROL SYSTEM WARRANTY

California, U.S. EPA, and Sears Emissions Control Warranty Statement

Your Warranty Rights And Obligations

The California Air Resources Board, U.S. EPA, and Sears, Roebuck and Co., U.S.A. (Sears) are pleased to explain the emissions control system warranty on your Model Year 2008 and later engine/equipment. In California, new small off-road engines must be designed, built, and equipped to meet the State's stringent anti-smog standards. Sears must warrant the emissions control system on your engine/equipment for the periods of time listed below provided there has been no abuse, neglect, or improper maintenance of your small off-road engine.

Your emissions control system may include parts such as the carburetor or fuel injection system, fuel tank, ignition system, and catalytic converter. Also included may be hoses, belts, connectors, sensors, and other emissions-related assemblies. Where a warrantable condition exists, Sears will repair your engine/equipment at no cost to you including diagnosis, parts, and labor.

Manufacturer's Warranty Coverage:

Small off-road engines are warranted for two years. If any emissions-related part on your engine/equipment is defective, the part will be repaired or replaced by Sears.

Owner's Warranty Responsibilities:

- As the small engine/equipment owner, you are responsible for the performance of the required maintenance listed in your owner's manual. Sears recommends that you retain all receipts covering maintenance on your engine/equipment, but Sears cannot deny warranty solely for the lack of receipts or your failure to ensure the performance of all scheduled maintenance.
- As the engine/equipment owner, you should however be aware that Sears may deny you warranty coverage if your engine/equipment or a part has failed due to abuse, neglect, improper maintenance, or unapproved modifications.
- You are responsible for presenting your engine/equipment to a Sears distribution center, servicing dealer, or other equivalent entity, as applicable, as soon as a problem exists. The warranty repairs should be completed in a reasonable amount of time, not to exceed 30 days. If you have any questions regarding your warranty rights and responsibilities, you should contact Sears at (800) 469-4663.

Sears Emissions Control Warranty Provisions

The following are specific provisions relative to your Emissions Control Warranty Coverage. It is in addition to the Sears engine warranty for non-regulated engines found in the Operator's Manual.

1. Warranted Emissions Parts

Coverage under this warranty extends only to the parts listed below (the emissions control systems parts) to the extent these parts were present on the engine purchased.

a. Fuel Metering System

- Cold start enrichment system (soft choke)
- Carburetor and internal parts
- Fuel pump
- Fuel line, fuel line fittings, clamps
- Fuel tank, cap and tether
- Carbon canister

b. Air Induction System

- Air cleaner
- Intake manifold
- Purge and vent line

c. Ignition System

- Spark plug(s)
- Magneto ignition system

d. Catalyst System

- Catalytic converter
- Exhaust manifold
- Air injection system or pulse valve

e. Miscellaneous Items Used in Above Systems

- Vacuum, temperature, position, time sensitive valves and switches
- Connectors and assemblies

2. Length of Coverage

For a period of two years from date of original purchase, Sears warrants to the original purchaser and each subsequent purchaser that the engine is designed, built, and equipped so as to conform with all applicable regulations adopted by the Air Resources Board; that it is free from defects in material and workmanship that could cause the failure of a warranted part; and that it is identical in all material respects to the engine described in the manufacturer's application for certification. The warranty period begins on the date the engine is originally purchased.

In the USA and Canada, a 24-hour hotline, 1-800-469-4663, has a menu of pre-recorded messages offering you product maintenance information.

The warranty on emissions-related parts is as follows:

- Any warranted part that is not scheduled for replacement as required maintenance in the owner's manual supplied, is warranted for the warranty period stated above. If any such part fails during the period of warranty coverage, the part will be repaired or replaced by Sears at no charge to the owner. Any such part repaired or replaced under the warranty will be warranted for the remaining warranty period.
- Any warranted part that is scheduled only for regular inspection in the owner's manual supplied, is warranted for the warranty period stated above. Any such part repaired or replaced under warranty will be warranted for the remaining warranty period.
- Any warranted part that is scheduled for replacement as required maintenance in the owner's manual supplied, is warranted for the period of time prior to the first scheduled replacement point for that part. If the part fails prior to the first scheduled replacement, the part will be repaired or replaced by Sears at no charge to the owner. Any such part repaired or replaced under warranty will be warranted for the remainder of the period prior to the first scheduled replacement point for the part.
- Add on or modified parts that are not exempted by the Air Resources Board may not be used. The use of any non exempted add on or modified parts by the owner will be grounds for disallowing a warranty claim. The manufacturer will not be liable to warrant failures of warranted parts caused by the use of a non exempted add on or modified part.

3. Consequential Coverage

Coverage shall extend to the failure of any engine components caused by the failure of any warranted emissions parts.

4. Claims and Coverage Exclusions

Warranty claims shall be filed according to the provisions of the Sears engine warranty policy. Warranty coverage does not apply to failures of emissions parts that are not original equipment Sears parts or to parts that fail due to abuse, neglect, or improper maintenance as set forth in the Sears engine warranty policy. Sears is not liable for warranty coverage of failures of emissions parts caused by the use of add-on or modified parts.

Look For Relevant Emissions Durability Period and Air Index Information On Your Engine Emissions Label

Engines that are certified to meet the California Air Resources Board (CARB) Emissions Standard must display information regarding the Emissions Durability Period and the Air Index. The engine manufacturer makes this information available to the consumer on emissions labels. The engine emissions label will indicate certification information.

The **Emissions Durability Period** describes the number of hours of actual running time for which the engine is certified to be emissions compliant, assuming proper maintenance in accordance with the Operating & Maintenance Instructions. The following categories are used:

Moderate: Engine is certified to be emissions compliant for 125 hours of actual engine running time.

Intermediate: Engine is certified to be emissions compliant for 250 hours of actual engine running time.

Extended: Engine is certified to be emissions compliant for 500 hours of actual engine running time.

For example, a typical walk-behind lawn mower is used 20 to 25 hours per year. Therefore, the **Emissions Durability Period** of an engine with an **intermediate** rating would equate to 10 to 12 years.

Small off-road engines are certified to meet the United States Environmental Protection Agency (USEPA) Phase 2 emissions standards. For Phase 2 certified engines, the Emissions Compliance Period referred to on the Emissions Compliance label indicates the number of operating hours for which the engine has been shown to meet Federal emissions requirements.

For engines less than 225 cc displacement.

Category C = 125 hours

Category B = 250 hours

Category A = 500 hours

For engines of 225 cc or more displacement.

Category C = 250 hours

Category B = 500 hours

Category A = 1000 hours

NOTES

NOTES

TABLA DE CONTENIDOS

GARANTIA	32	MANTENIMIENTO	46-50
CONTRATO DE PROTECCIÓN PARA REPARACIONES	32	ALMACENAMIENTO	51
REGLAS DE SEGURIDAD	33-35	REPARACION DE DAÑOS REPUESTOS	52
CARACTERÍSTICAS Y CONTROLES	36	NOTAS	53
MONTAJE	37-40	GARANTIA DEL CONTROL DE EMISIONES	54-55
OPERACION	41-44	COMO ORDENAR PARTES	PAGINA POSTERIOR
ESPECIFICACIONES	45		

GARANTIA

GARANTÍA COMPLETA DE SNAPPER

Si este producto de Snapper falla debido a defectos de materiales o mano de obra en el plazo de dos años a partir de la fecha de compra, devuélvalo a cualquier almacén Sears o centro de reparación y repuestos Sears de los Estados Unidos para su reparación gratuita o, en caso de que ésta no sea posible, para su sustitución.

Esta garantía se reducirá a 90 días desde la fecha de compra si este producto se utiliza en algún momento con fines comerciales o de alquiler.

Esta garantía SÓLO cubre defectos de materiales y de mano de obra. Sears NO pagará:

- Los elementos que pueden desgastarse en condiciones de uso normales dentro del período de garantía, como pistolas rociadoras, mangueras, prolongadores de boquilla, boquillas, filtros y bujías.
- Reparaciones necesarias debido a accidentes o fallos que se deriven de la incapacidad para operar o mantener el producto de acuerdo con todas las instrucciones facilitadas.
- Mantenimiento preventivo o reparaciones necesarias debido al uso de mezclas de combustible inadecuadas o de combustible contaminado o pasado.

Esta garantía le otorga determinados derechos legales y es posible que tenga otros derechos que pueden variar de una provincia a otra.

Sears, Roebuck and Co., Hoffman Estates, IL 60179

CONTRATO DE PROTECCIÓN PARA REPARACIONES

Felicidades por realizar una compra inteligente.

Su nuevo limpiadora a presión está diseñado y fabricado para funcionar de manera fiable durante muchos años. Pero como todos los productos, es posible que requiera reparación ocasionalmente. Es en esos momentos, tener un contrato de protección para reparaciones puede ahorrarle dinero y molestias.

A continuación se menciona lo que el contrato de protección para reparaciones* contempla:

- **Servicio experto** de nuestros 10.000 especialistas profesionales en reparación.
- **Servicio ilimitado y sin costo** en partes y mano de obra en todas las reparaciones incluidas en la cobertura.
- **Cambio del producto** por hasta \$1.500 si el producto incluido en la cobertura no se puede reparar.
- **Un 10% de descuento** en el precio normal de servicio y en partes instaladas relacionadas no incluidas en la cobertura del contrato; asimismo, un 10% de descuento en el precio normal de revisiones de mantenimiento preventivo.
- **Ayuda telefónica rápida.** Nuestro servicio de Solución rápida consiste en apoyo telefónico por un representante de Sears. Piense que somos un "manual del usuario parlante".

Una vez que adquiera el contrato de protección para reparaciones, sólo tiene que hacer una sencilla llamada telefónica para programar un servicio. Puede llamar a cualquier hora del día o la noche, o programar una cita de servicio en línea.

El contrato de protección para reparaciones es una compra segura. Si lo cancela por cualquier motivo durante el período de garantía del producto, le reembolsaremos el total de su dinero o una parte proporcional en cualquier momento posterior al vencimiento del período de garantía del producto. Adquiera hoy su contrato de protección para reparaciones.

Aplican algunas limitaciones y exclusiones. Para conocer precios y obtener información adicional en EE. UU., llame al 1-800-827-6655.

*** La cobertura en Canadá varía en determinados artículos. Para obtener todos los detalles, comuníquese a Sears Canadá al 1-800-361-6665.**

Servicio de instalación de Sears

Para solicitar un servicio de instalación por parte de un profesional de Sears para aparatos domésticos, puertas automáticas de garajes, calentadores de agua y otros artículos domésticos importantes en EE. UU. o Canadá, comuníquese al 1-800-4-MY-HOME®.

REGLAS DE SEGURIDAD



Lea este manual minuciosamente y conozca a fondo las partes y el funcionamiento de su máquina limpiadora a presión. Conozca sus aplicaciones, sus limitaciones y los peligros involucrados.

Información importante de seguridad

Símbolos sobre la seguridad y significados



Gases Tóxicos



Contragolpe



Descarga Eléctrica



Superficies Resbalosas



Caer



Inyección Líquida



Partes en Movimiento



Objetos Voladores



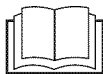
Superficie Caliente



Fuego



Explosión



Manual del Operario

▲ El símbolo de alerta de seguridad indica un posible riesgo para su integridad física. Se utiliza una palabra de señalización (PELIGRO, ADVERTENCIA o PRECAUCIÓN) junto con el símbolo de alerta para designar un grado o nivel de gravedad de riesgo. Se puede utilizar un símbolo de seguridad para representar el tipo de riesgo. La palabra de señalización *AVISO* se utiliza para hacer referencia a una práctica no relacionada con una lesión física.

▲ **PELIGRO** indica un riesgo que, de no evitarse, *provocará* la muerte o lesiones de gravedad.

▲ **ADVERTENCIA** indica un riesgo que, de no evitarse, *podría* provocar la muerte o lesiones de gravedad.

▲ **PRECAUCIÓN** indica un riesgo que, de no evitarse, *podría* provocar lesiones leves o moderadas.

AVISO hace referencia a una práctica no relacionada con una lesión física.

▲ **ADVERTENCIA** El escape del motor de este producto contiene elementos químicos reconocidos en el Estado de California por producir cáncer, defectos de nacimiento u otros daños de tipo reproductivo.


▲ **ADVERTENCIA** Este producto contiene plomo y compuestos de plomo declarados causantes de malformaciones y otros defectos congénitos por el Estado de California. *Lávese las manos después de manipular este producto.*

▲ **ADVERTENCIA** Al motor funcionar, se produce monóxido de carbono, un gas inodoro y venenoso.

 Respirar monóxido de carbono puede provocar dolor de cabeza, fatiga, mareos, vómitos, confusión, ataques, náuseas, desmayos o incluso la muerte. Algunas sustancias químicas o los detergentes pueden ser perjudiciales si inhalados o ingeridos, causando la náusea severa, desmayando o para envenenar.

- Opere el limpiadora a presión SOLAMENTE al aire libre.
- Asegúrese de que los gases de escape no puedan entrar por ventanas, puertas, tomas de aire de ventilación u otras aberturas en un espacio cerrado en el que puedan acumularse.
- NO arranque ni deje funcionar el motor en interiores ni en zonas cerradas, aunque haya ventanas y puertas abiertas.
- Utilice un respirador o máscara siempre que exista la posibilidad de inhalar vapores.
- Lea todas las instrucciones de la máscara para asegurarse de que le brindará la protección necesaria contra la inhalación de vapores nocivos.

▲ **ADVERTENCIA** Riesgo de electrocución.

 El contacto con los cables eléctricos puede provocar electrocución y quemaduras.

- NUNCA rocíe cerca de una fuente de energía eléctrica.

▲ ADVERTENCIA El retroceso (repliegue rápido) del cable del arrancador puede producir lesiones. El retroceso impedirá que el usuario suelte el cable a tiempo y tirará de su mano y brazo hacia el motor.



Como resultado, podrían producirse fracturas, contusiones o esguinces.

- NUNCA tire del cable del arrancador sin eliminar previamente la presión de la pistola rociadora.
- Cuando arranque el motor, tire lentamente del cable hasta sentir una resistencia y, a continuación, tire rápidamente de él para evitar su retroceso.
- Después de cada intento de arranque, cuando el motor no consiga arrancar, apunte con la pistola rociadora hacia una dirección segura, pulse el botón rojo y apriete el gatillo para descargar la presión.
- Sujete firmemente la pistola rociadora con ambas manos cuando aplique un rociado a alta presión para evitar lesiones cuando se produzca el retroceso de la pistola.

▲ ADVERTENCIA El contacto con la zona del silenciador puede producir quemaduras graves.



Los gases y el calor de escape pueden inflamar los materiales combustibles y

las estructuras o dañar el depósito de combustible y provocar un incendio.

- NO toque las superficies calientes y evite los gases del escape a alta temperatura.
- Permita que el equipo se enfríe antes de tocarlo.
- Deje un espacio mínimo de 1.5 m (5 pies) alrededor del limpiadora a presión, incluida la parte superior.
- Utilizar el motor en un terreno boscoso, con maleza o cubierto de hierba constituye una infracción al Código de recursos públicos de California, a menos que el sistema de escape esté equipado con una pantalla apagachispas, de acuerdo a la definición de la Sección 4442, que se mantenga en buenas condiciones de funcionamiento. En otros estados o jurisdicciones federales puede haber leyes similares en vigor. Póngase en contacto con el fabricante, el vendedor o el distribuidor del equipo original para obtener una pantalla apagachispas diseñada para el sistema de escape instalado en este motor.
- Las piezas de recambio deben ser las mismas que las piezas originales y estar instaladas en la misma posición.

▲ ADVERTENCIA El arrancador y otras piezas que rotan pueden enredar las manos, el pelo, la ropa, o los accesorios.



- NUNCA utilice la limpiadora a presión sin sus carcasas o tapas de protección.
- NO use ropa suelta, joyas o elementos que puedan quedar atrapados en el arranque o en otras partes rotatorias.
- Ate para arriba el pelo largo y quite la joyería.

▲ ADVERTENCIA La gasolina y sus vapores son extremadamente inflamables y explosivos.



El fuego o una explosión pueden causar quemaduras severas e inclusive la muerte.

CUANDO ANADA COMBUSTIBLE O VACÍE EL DEPÓSITO

- Apague el limpiadora a presión (posición OFF) y déjelo enfriar al menos por 2 minutos antes de remover la tapa de la combustible. Afloje la tapa lentamente para dejar que la presión salga del tanque.
- Llene o vacíe el depósito de combustible a la intemperie.
- NO llene demasiado el tanque. Permita al menos espacio para la expansión del combustible.
- Si se ha derramado combustible, espere a que se evapore antes de arrancar el motor.
- Mantenga la gasolina alejada de chispas, llamas abiertas, pilotos, calor y otras fuentes de ignición.
- NO encienda un cigarrillo o fume.

CUANDO PONGA EN FUNCIONAMIENTO EL EQUIPO

- Compruebe que la bujía, el silenciador, el tapón del depósito de combustible y el filtro de aire están instalados.
- NO arranque el motor sin la bujía instalada.

CUANDO OPERE EL EQUIPO

- NO incline el motor o el equipo, de tal manera que la gasolina se pueda derramar.
- NO rocíe líquidos inflamables.

CUANDO TRANSPORTE O REPARE EL EQUIPO

- Transporte o repare el equipo con el tanque de combustible vacío, o con la válvula para apagar el combustible, apagada (posición OFF).
- Desconecte el cable de la bujía.

CUANDO ALMACENE O GUARDE EL EQUIPO CON COMBUSTIBLE EN EL TANQUE

- Almacene alejado de calderas, estufas, calentadores de agua, secadoras de ropa u otros aparatos electrodomésticos que posean pilotos u otras fuentes de ignición, porque ellos pueden encender los vapores de la combustible.

▲ ADVERTENCIA El uso de limpiadora a presión puede crear los charcos y superficies resbalosas.



El retroceso de la pistola rociadora puede provocar caídas.

- Utilice la limpiadora a presión desde una superficie estable.
- El área de limpieza deberá tener inclinaciones y drenajes adecuados para disminuir la posibilidad de caídas debido a superficies resbalosas.
- Extreme las precauciones si necesita utilizar la limpiadora a presión desde una escalera, un andamio u otro lugar similar.
- Sujete firmemente la pistola rociadora con ambas manos cuando aplique un rociado a alta presión para evitar lesiones cuando se produzca el retroceso de la pistola.

▲ ADVERTENCIA El chorro de agua a alta presión que este equipo produce, puede atravesar la piel y los tejidos subcutáneos, provocando lesiones de gravedad que podrían dar lugar a la amputación de un miembro.



La pistola rociadora contiene agua a alta presión incluso con el motor parado y el agua desconectada, que puede causar la herida.

- NO permita en ningún momento que NIÑOS operen la máquina limpiadora a presión.
- NUNCA repare la manguera de alta presión. Remplacela.
- NUNCA utilice ningún tipo de sellador para reparar una fuga en una conexión. Sustituya la junta tórica o la junta.
- NUNCA conecte la manguera de alta presión al prolongador de la boquilla.
- Mantenga conectada la manguera a la máquina o a la pistola de rociado cuando el sistema esté presurizado.
- SIEMPRE que pare el motor, apunte con la pistola rociadora hacia una dirección segura, pulse el botón rojo y apriete el gatillo para descargar la presión.
- NUNCA apunte la pistola a la gente, animales o plantas.
- NO fije la pistola rociadora en la posición abierta.
- NO abandone la pistola rociadora cuando la máquina esté en funcionamiento.
- NUNCA utilice una pistola rociadora cuyo seguro o protección para el gatillo no esté en perfecto estado de funcionamiento.
- Asegúrese en todo momento de conectar correctamente la pistola rociadora, las boquillas y los accesorios.

▲ ADVERTENCIA Chispear involuntario puede tener como resultado el fuego o el golpe eléctrico.



CUANDO AJUSTE O HAGA REPARACIONES A SU MÁQUINA LIMPIADORA A PRESIÓN

- Siempre desconecte el alambre de la bujía y colóquelo donde no pueda entrar en contacto con la bujía.

CUANDO PRUEBE LA BUJÍA DEL MOTOR

- Utilice un comprobador de bujías homologado.
- NO compruebe la chispa sin la bujía instalada.

▲ ADVERTENCIA Riesgo de lesiones oculares. El agua rociada puede salpicar o propulsar objetos.



- Cuando utilice este equipo o esté cerca de él, siempre use gafas de seguridad con ventilación indirecta (contra salpicaduras de productos químicos) marcadas para cumplir con ANSI Z87.1.
- NUNCA se ponga gafas de seguridad ni gafas para entornos secos como sustituto de las gafas de seguridad con ventilación indirecta.

AVISO El rociado de alta presión puede dañar elementos frágiles, incluyendo el vidrio.

- NO dirija la pistola rociadora hacia un cristal cuando utilice la boquilla MAX (punta de alfiler).
- NUNCA apunte la pistola a plantas.

AVISO El tratamiento inadecuado del limpiadora a presión puede dañarlo y acortar su vida productiva.

- Si usted tiene alguna pregunta acerca de las finalidades de uso del generador, pregúntele a su concesionario o contacte a Sears.
- NUNCA deberán ser operadas las unidades con partes rotas o ausentes, o sin la caja o cubiertas de protección.
- NO eluda ningún dispositivo de seguridad de esta máquina.
- NO intente alterar la velocidad controlada.
- NO utilice la limpiadora a presión por encima de su presión nominal.
- NO haga ninguna modificación en la limpiadora a presión.
- Antes de poner en marcha la máquina limpiadora a presión en clima frío, revise todas las partes del equipo y asegúrese de que no se haya formado hielo sobre ellas.
- NUNCA mueva la máquina halando la manguera de alta presión. Utilice la manija que viene con la unidad.
- Revise que el sistema de combustible no presente fugas o signos de deterioro, como mangueras desgastadas o porosas, sujetadores flojos o ausentes, tapa o tanque dañados. Corrija todos los defectos antes de operar la máquina limpiadora a presión.
- El equipo de alta presión está diseñado para ser utilizado ÚNICAMENTE con las partes autorizadas Sears. Si utiliza este equipo con partes que no cumplan con las especificaciones mínimas, el usuario asume todos los riesgos y responsabilidades.

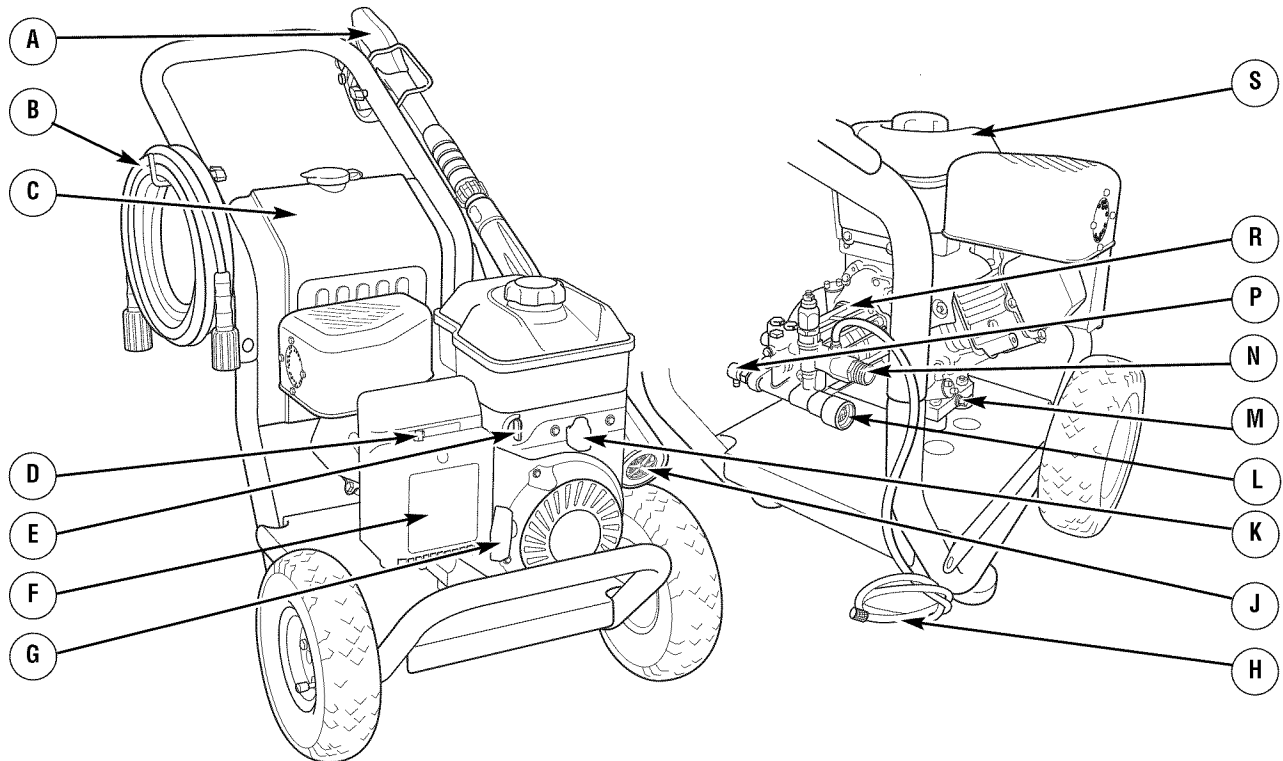
CARACTERÍSTICAS Y CONTROLES

CONOZCA SU MAQUINA LIMPIADORA A PRESIÓN



Lea el Manual del Operario y las reglas de seguridad antes de poner en marcha su limpiadora a presión.

Compare las ilustraciones con su limpiadora a presión para familiarizarse con las ubicaciones de los diferentes controles y ajustes. Guarde este manual para referencias futuras.



A - Pistola de Rociado — Controla la aplicación de agua sobre la superficie de limpieza con el gatillo. Incluye cerrojo de seguridad.

B - Manguera de Alta Presión — Conecte un extremo a la pistola de rociado y el otro extremo a la toma de alta presión.

C - Limpiar el Tanque — Permite almacenar hasta 7,6 litros (2 galóns) de detergente para la limpiadora a presión.

D - Perilla del Cebador — Usada para arranque de motores fríos.

E - Válvula de Combustible — Permite abrir y cerrar la alimentación de combustible al motor.

F - Filtro de Aire — El elemento de filtro tipo seco limita la cantidad de suciedad y polvo que se introduce en el motor.

G - Arrancador de Retroceso — Usado para arrancar el motor manualmente.

H - Filtro y Tubo para Recolección de Detergente — Usado para succionar detergente de la botella de químicos a la corriente de agua de baja presión.

J - PrecisionSpray™ Selector — Contiene seis escenarios diferentes para diferentes aplicaciones de limpieza.

K - Palanca de Control de la Válvula de Regulación — Coloca el motor en modo de arranque para el arrancador de retroceso y detiene el motor en funcionamiento.

L - Entrada de Agua — Conexión para la manguera de jardín.

M - Tapón de Vaciado de Aceite — Permite vaciar el aceite del motor.

N - Toma de Alta Presión — Conexión para la manguera de alta presión.

P - Automático se Enfía Sistema — Los ciclos regan por bomba cuando agua alcanza 125°-155°F. Entibiar agua descargará de la bomba en el suelo. Este sistema previene el daño interno de bomba.

R - Bomba — Desarrolla alta presión de agua.

S - Tanque del Combustible — Llene el tanque con gasolina regular sin contenido de plomo en este punto. Siempre habitación de hoja para la expansión del combustible.

No mostrado:

Calcomanía Ejemplar de Datos (near rear of base plate) — Proporciona el modelo y el número de serie de limpiadora a presión. Tenga por favor estos prontamente disponible cuando llamar para la ayuda.

Etiqueta de Advertencia e Instrucciones — Identifica los riesgos e indica el procedimiento adecuado de puesta en marcha o de parada de la limpiadora a presión.

Tapa del Depósito del Aceite — Llene el motor con aceite aquí.

MONTAJE

Su limpiadora a presión requiere de cierto ensamble y estará lista para ser usado únicamente después de haber depositado el combustible y el aceite recomendado.

Si tiene problemas con el ensamble de su máquina limpiadora a presión, llame a la línea de ayuda de la máquina limpiadora a presión al 1-800-317-7833.

Desembale la Limpiadora a Presión

1. Saque todo el contenido de la caja de cartón, a excepción de la limpiadora a presión.
2. Abra completamente la caja de cartón cortando cada una de sus esquinas de arriba abajo.
3. Saque la limpiadora a presión de la caja de cartón.

Contenido de la Caja

Revise el contenido de la caja. Si alguna de las partes no está presente o está dañada, llame a la línea de ayuda de la máquina limpiadora a presión al **1-800-317-7833**.

- La unidad principal
- Asa
- Limpiar el tanque
- La manguera de alta presión
- Pistola de rociado
- Selector PrecisionSpray™
- Gancho de alambre de soporte de la pistola
- Manguera de sifón del detergente
- Aceite para motor
- Bolsa de partes (incluye los elementos descritos a continuación)
 - Manual del operador
 - Tarjeta de la matrícula
 - Piezas para la asa (incluye lo siguiente):
 - Pernos del Soporte (2)
 - Perno "L"
 - Perilla Plástica (4)
 - Pinzas de árbol (4)

Familiarícese con cada parte antes de ensamblar la máquina limpiadora a presión. Compare el contenido con la ilustración de la página 36. Si alguna de las partes no está presente o se encuentra dañada, llame a la línea de ayuda de la máquina limpiadora a presión al **1-800-317-7833**.

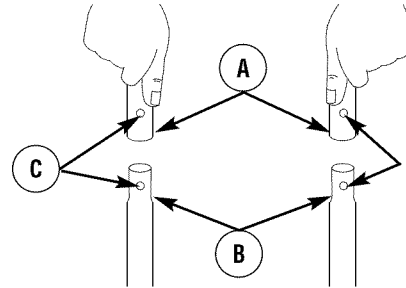
MONTAJE DEL LIMPIADORA A PRESIÓN

Usted deberá llevar a cabo los siguientes procedimientos antes de poner en funcionamiento su limpiadora a presión:

1. Llene y mande en tarjeta de matrícula.
2. Conecte asa y limpiar el tanque a unidad principal.
3. Conecte la manguera de sifón del detergente a la bomba.
4. Añada aceite al motor.
5. Añada gasolina al tanque de combustible.
6. Conecte manguera a alta presión a pistola rociadora y a bomba.
7. Conecte el suministro de agua a bomba.
8. Conecte el selector PrecisionSpray™ a la pistola rociadora.

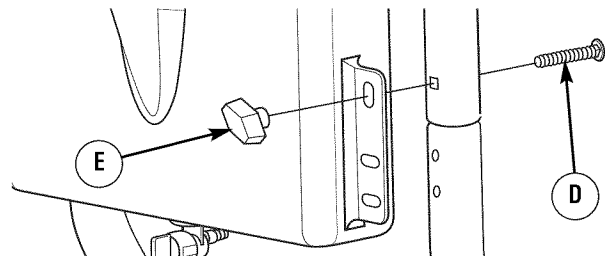
Conecte el Asa y Limpiar el Tanque

1. Coloque el asa (A) sobre los soportes del mismo (B) que ya están adheridos a la unidad principal. Asegúrese de que los orificios (C) en el asa estén alineados con los orificios (C) en los soportes del mismo asa.

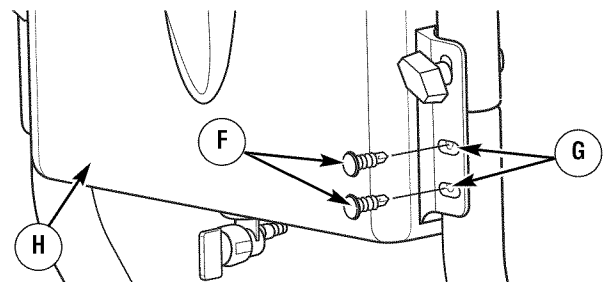


AVISO Tal vez será necesario mover los soportes del asa de un lado a otro para alinear el asa de tal manera que pueda deslizarse sobre los soportes del mismo asa.

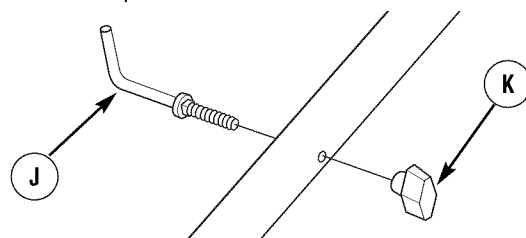
2. Coloque el limpiar el tanque sobre los orificios en el asa y los soportes del asa (vista desde la parte trasera de la unidad).
3. Inserte los pernos de cabeza redonda (D) por los orificios superiores del asa, los soportes del asa y limpiar el tanque desde la parte delantera de la unidad y coloque un pomo de plástico (E) desde la parte trasera de la unidad. Apriete a mano.



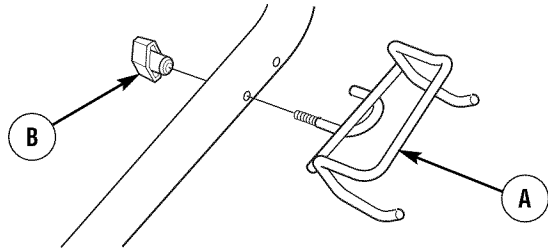
4. Inserte los pasadores de retención (F) en los orificios (G) inferiores del limpiar el tanque (H) y los orificios del soportes del asa hasta que queden empotrados en la limpiar el tanque.



5. Inserte el "L" perno (J) de la pistola a través del orificio situado justo encima del panel, en el lado izquierdo del asa (vista desde la parte delantera de la unidad). Sujete el "L" perno en su posición y coloque un pomo de plástico (K) desde el interior de la unidad. Apriete a mano.



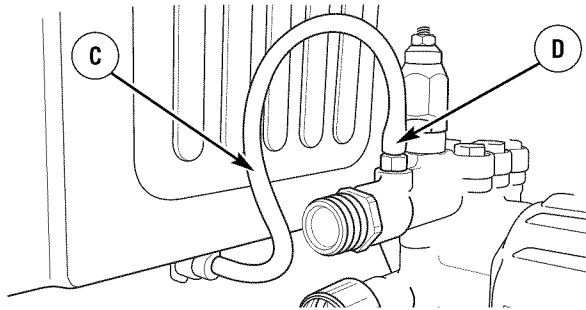
5. Inserte el gancho de alambre de soporte (A) de la pistola a través del orificio situado justo encima del limpiar el tanque en el derecho de la asa (visto desde la parte delantera de la unidad). Sujete el gancho de alambre en su posición y coloque un perilla de plástico (B) desde el interior de la unidad. Apriete a mano.



Montaje de Manguera de Sifón del Detergente a la Bomba

La limpiadora a presión está equipada con dos mangueras de inyección de detergente. Una de ellas está conectada al limpiar el tanque, y la otra está suelta y se utiliza para inyectar detergentes aptos para la limpiadora a presión desde una botella u otro recipiente.

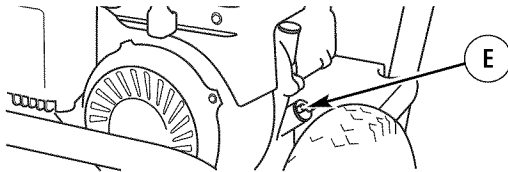
Conecte una de las mangueras de inyección de detergente (C) al acoplamiento dentado de la manguera (D) de la bomba.



AVISO Sólo se puede utilizar una de las mangueras de inyección de detergente en un momento dado. Cuando no se utilice el limpiar el tanque, asegúrese de que la llave de paso de detergente del limpiar el tanque esté en la posición "Off".

Agregue Aceite de Motor

1. Coloque la limpiadora a presión en una superficie plana y nivelada.
2. Limpie la zona de alrededor del orificio de llenado de aceite y quite el tapón amarillo.
3. Con la ayuda de un embudo (opcional), vierta lentamente todo el contenido de la botella de aceite por el orificio de llenado de aceite (E).



AVISO El tratamiento inadecuado del limpiadora a presión puede dañarlo y acortar su vida productiva.

- NO procure acodar ni empujar el motor antes de haberlo atendido apropiadamente con el aceite recomendado. Esto puede tener como resultado una avería del motor.

4. Vuelva a colocar el tapón y apriételo firmemente.

Agregue Gasolina

El combustible debe reunir los siguientes requisitos:

- Gasolina sin plomo limpia y nueva.
- Un mínimo de 87 octanos/87 AKI (91 RON). Para uso a gran altitud, consulte *Gran altitud*.
- El motor admite gasolina con hasta un 10% de etanol (gasohol) o hasta un 15% de MTBE (éter metil terbutílico).

AVISO Evite el daño del limpiadora a presión. El fracaso para seguir Manual de Operario para el combustible recomedations garantía de vacíos.

- NO utilice gasolina no autorizada; por ejemplo, E85.
- NO mezcle aceite con gasolina.
- NO modifique el motor para hacerlo funcionar con otros combustibles.

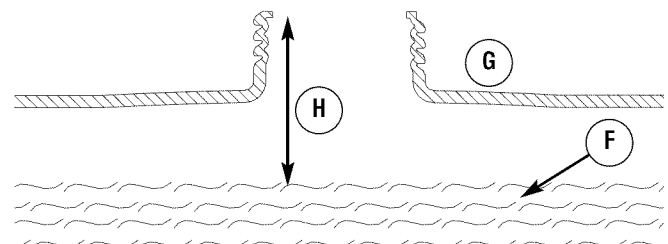
Para evitar la formación de carbonilla en el circuito de combustible, siempre que añada combustible, mézclelo con un estabilizador. Consulte *Almacenamiento*. NO todos los combustibles son iguales. Si detecta problemas de arranque o de rendimiento después de utilizar un combustible, pruebe a cambiar de proveedor o de marca. Este motor está certificado para funcionar con gasolina. Su sistema de control de emisiones es EM (Modificaciones del motor).

⚠ ADVERTENCIA La gasolina y sus vapores son extremadamente inflamables y explosivos. El fuego o una explosión pueden causar quemaduras severas e inclusive la muerte.

CUANDO ANADA COMBUSTIBLE EL DEPÓSITO

- Apague el limpiadora a presión (posición OFF) y déjelo enfriar al menos por 2 minutos antes de remover la tapa de la combustible. Afloje la tapa lentamente para dejar que la presión salga del tanque.
- Llene el depósito de combustible a la intemperie.
- NO llene demasiado el tanque. Permita al menos espacio para la expansión del combustible.
- Si se ha derramado combustible, espere a que se evapore antes de arrancar el motor.
- Mantenga la gasolina alejada de chispas, llamas abiertas, pilotos, calor y otras fuentes de ignición.
- NO encienda un cigarrillo o fume.

1. Limpie el área alrededor de la tapa de llenado del combustible, retire la tapa.
2. Añada lentamente gasolina sin plomo (F) al depósito de combustible (G). NO añada combustible en exceso. Deje aproximadamente 4 cm (1,5") de espacio (H) en el depósito para permitir la expansión del combustible, como se muestra.



3. Instale la tapa del tanque de combustible y la espera para algún combustible rociado por evaporar.

¡PRECAUCIÓN! Los combustibles con mezcla de alcohol (gasohol, etanol o metanol) pueden atraer la humedad y provocar la separación y formación de ácidos durante el almacenamiento. Los gases ácidos pueden dañar el circuito de combustible y el motor durante el almacenamiento.

Para evitar este tipo de problemas, vacíe el circuito de combustible cuando vaya a almacenar la unidad durante 30 días o más. Vacíe el depósito de combustible, arranque el motor y déjelo funcionar hasta que los conductos de combustible y el carburador queden vacíos. Utilice combustible nuevo la próxima temporada. Para obtener más información al respecto, consulte *Almacenamiento*.

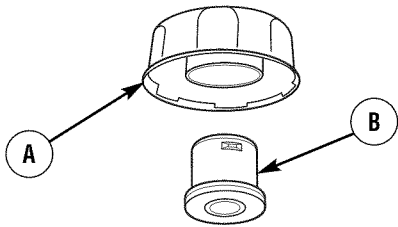
NUNCA utilice productos limpiadores para motores o carburadores en el depósito de combustible, ya que podrían provocar daños permanentes.

Gran altitud

En altitudes superiores a 1.524 metros (5.000 pies), se deberá utilizar gasolina con un mínimo de 85 octanos / 85 AKI (89 RON). Para seguir cumpliendo la normativa sobre emisiones, es necesario ajustar la unidad para su uso a gran altitud. De no realizarse este ajuste, el rendimiento se reducirá y el consumo de combustible y las emisiones aumentarán. Para obtener más información sobre el ajuste para gran altitud, consulte con un distribuidor cualificado de Sears. No se recomienda utilizar el motor a altitudes inferiores a 762 metros (2.500 pies) con el juego de gran altitud.

Tapón de combustible FreshStart®

El tapón de combustible FreshStart® (A) está diseñado para albergar un cartucho (B) con aditivo para combustible. La adición de un aditivo para combustible ayuda a mantener el combustible en buen estado y los carburadores limpios para facilitar el arranque durante toda la temporada. El tapón de combustible FreshStart®, si está equipado con un cartucho, suministra automáticamente el aditivo de combustible concentrado en el tanque de combustible, de forma que usted no tenga que agregarlo.



AVISO El cartucho de aditivo para combustible FreshStart® está disponible como un accesorio opcional, número de catálogo 7174403. No está incluido en la limpiadora a presión. Póngase en contacto con el fabricante del equipo original, el vendedor o el distribuidor para obtener un cartucho diseñado para el tapón de combustible FreshStart® instalado en este motor.

Lea y siga todas las instrucciones y advertencias del paquete del cartucho de aditivo para combustible FreshStart®.

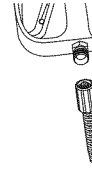
Conecte la Manguera y el Suministro de Agua a la Bomba

AVISO NO haga funcionar la bomba si no tiene el suministro conectado y abierto.

- El daño a la limpiadora a presión, resultado de la desatención a esta precaución, no será cubierto por la garantía.

AVISO Antes de conectar las mangueras, retire y deseche los tapones de transporte de la salida de alta presión y de la entrada de agua de la bomba.

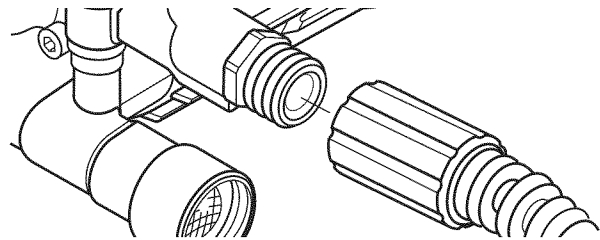
1. Retroceda la manguera a alta presión y conecte a la base de la pistola rociadora. Apriete con la mano.



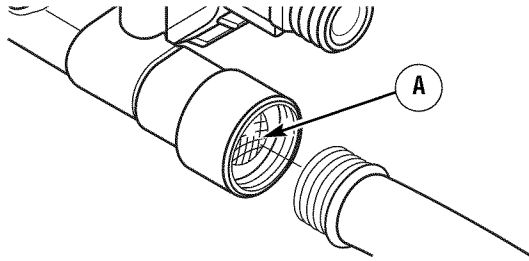
▲ ADVERTENCIA El chorro de agua a alta presión que este equipo produce, puede atravesar la piel y los tejidos subcutáneos, provocando lesiones de gravedad que podrían dar lugar a la amputación de un miembro.

- NUNCA conecte la manguera de alta presión al prolongador de la boquilla.
- Mantenga conectada la manguera a la máquina o a la pistola de rociado cuando el sistema esté presurizado.
- Asegúrese en todo momento de conectar correctamente la pistola rociadora, las boquillas y los accesorios.

2. Conecte el otro extremo de la manguera a alta presión, a la salida de alta presión de la bomba. Apriete con la mano.



- Antes de que conecte la manguera de jardín a la entrada de agua, inspeccione el colador de la entrada. Limpie el colador (A) si tiene residuos o solicite su remplazo si está dañado. **NO haga funcionar la limpiadora a presión si el filtro de entrada falta o está dañado.**



- Haga correr el agua a través de la manguera de su jardín por 30 segundos para limpiar cualquier escombros que se encuentre en ella. Desconecte el agua.

AVISO Hace NO agua de parar de siphon para el abastecimiento de agua. Use agua SOLO fría (menos que 100°F).

- Conecte la manguera de jardín (no exceder 50 pies en la longitud) a la entrada del agua. Apriete con la mano.

AVISO El uso de una válvula unidireccional (igualador de presión o válvula de retención) en la entrada de la bomba puede producir daños en la bomba o en el conector de entrada.

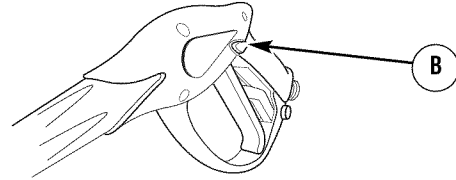
- DEBE haber un mínimo de 3 metros (10 pies) de manguera de riego libre entre la entrada de la limpiadora a presión y cualquier dispositivo, como un igualador de presión o una válvula de retención).
- El daño a la limpiadora a presión, resultado de la desatención a esta precaución, no será cubierto por la garantía.

⚠ ADVERTENCIA Riesgo de lesiones oculares. El agua rociada puede salpicar o propulsar objetos.



- Cuando utilice este equipo o esté cerca de él, siempre use gafas de seguridad con ventilación indirecta (contra salpicaduras de productos químicos) marcadas para cumplir con ANSI Z87.1.
- NUNCA se ponga gafas de seguridad ni gafas para entornos secos como sustituto de las gafas de seguridad con ventilación indirecta.

- Abra el grifo, pulse el botón rojo (B) de la pistola rociadora y apriete el gatillo para eliminar el aire y las impurezas del sistema de bombeo.



LISTA DE REVISION PREVIA AL ARRANQUE DEL MOTOR

Revise la unidad para asegurarse que ha llevado a cabo los siguientes procedimientos:

- Asegúrese de leer las secciones *Reglas de Seguridad* y *Operación* antes de usar el limpiadora a presión.
- Revise que los sujetadores del carrete de la manguera estén apretados.
- Revise que haya sido depositado aceite y esté al nivel correcto en la caja del cigüeñal del motor.
- Deposite la gasolina adecuada en el tanque del combustible.
- Revise que todas las conexiones de las mangueras (alta presión y suministro de agua) estén apretadas correctamente y que no existan dobleces, cortes o daño de la manguera de alta presión.
- Proporcione el suministro de agua adecuado (que no exceda los 100°F).

OPERACION

COMO USAR SU LIMPIADORA A PRESIÓN

Si tiene problemas con el funcionamiento de su máquina limpiadora a presión, por favor llame a la línea de ayuda de la máquina limpiadora a presión al 1-800-317-7833.

Ubicación del limpiadora a presión

Espacio libre alrededor del limpiadora a presión

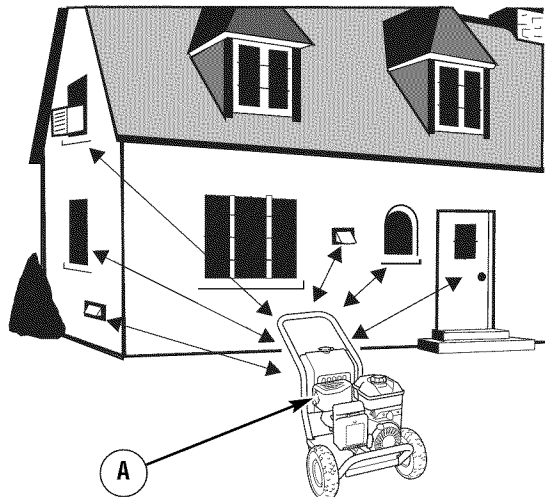
▲ ADVERTENCIA Los gases y el calor de escape pueden inflamar los materiales combustibles y las estructuras o dañar el depósito de combustible y provocar un incendio.

- Deje un espacio mínimo de 1.5 m (5 pies) alrededor del limpiadora a presión, incluida la parte superior.

Coloque la limpiadora a presión a la intemperie en una zona en donde no se acumulen gases de escape mortales. Asegúrese de que los gases de escape (A) no puedan entrar por ventanas, puertas, tomas de aire de ventilación u otras aberturas en un espacio cerrado en el que puedan acumularse. Tenga en cuenta los vientos y las corriente de aire preponderantes cuando elija la ubicación del limpiadora a presión.

▲ ADVERTENCIA Al motor funcionar, se produce monóxido de carbono, un gas inodoro y venenoso.

- Respirar monóxido de carbono puede provocar dolor de cabeza, fatiga, mareos, vómitos, confusión, ataques, náuseas, desmayos o incluso la muerte.
- Opere el limpiadora a presión SOLAMENTE al aire libre.
 - Asegúrese de que los gases de escape no puedan entrar por ventanas, puertas, tomas de aire de ventilación u otras aberturas en un espacio cerrado en el que puedan acumularse.
 - NO arranque ni deje funcionar el motor en interiores ni en zonas cerradas, aunque haya ventanas y puertas abiertas.



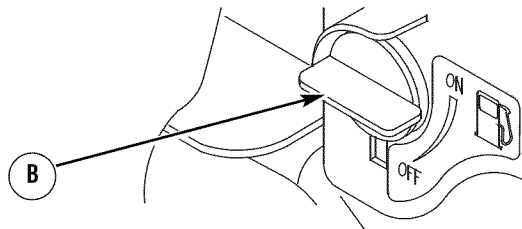
Para Poner en Marcha el Limpiadora a Presión

Para darle arranque a su limpiadora a presión movido a motor por primera vez, siga estas instrucciones paso a paso. Esta información acerca de la puesta en marcha inicial también es válida para cuando vaya a darle arranque al motor después de haberlo dejado la máquina limpiadora a presión fuera de funcionamiento por lo menos un día.

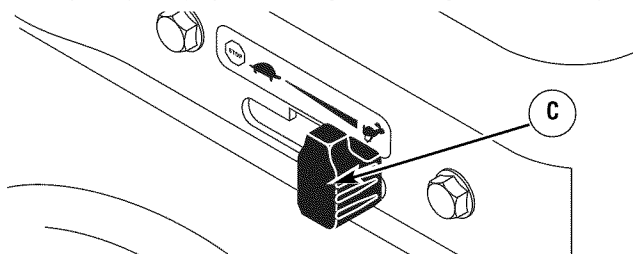
1. Coloque la máquina limpiadora a presión en un área cercana a una suministro de agua exterior capaz de abastecer agua a un volumen mayor de 3.5 galones por minuto en no menos que 20 PSI en el fin de arandela de presión de la manga del jardín.
2. Revise que la manguera de alta presión se encuentre conectada firmemente a la pistola de rociado y a la bomba. Vea *Montaje*.
3. Asegúrese que la unidad esté nivelada.
4. Conecte la manguera de jardín a la entrada del agua. Aprieta con la mano.

AVISO NO haga funcionar la bomba si no tiene el suministro conectado y abierto.

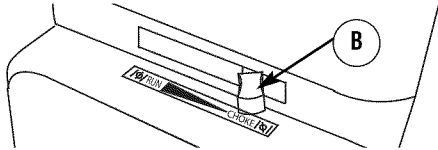
- El daño a la limpiadora a presión, resultado de la desatención a esta precaución, no será cubierto por la garantía.
5. Abra el grifo, pulse el botón rojo de la pistola rociadora y apriete el gatillo para eliminar el aire y las impurezas del sistema de bombeo.
 6. Conecte el selector PrecisionSpray™ a la pistola rociadora como se explica en la hoja de instrucciones correspondiente.
 7. Gire la válvula del combustible a la posición "On" (B). El asidero de la válvula del combustible debe ser vertical (señalar hacia el suelo) para el combustible para fluir.



8. Mueva el control de la válvula de admisión (C) a la posición "Rápido" ("Fast"), que se distingue con la figura de un conejo.



9. Mueva la palanca del ahogador (B) a la posición "Ahogado" ("Choke").



AVISO En el caso de que el motor esté caliente, asegúrese de que la palanca del ahogador se encuentre en la posición "En marcha" ("Run").

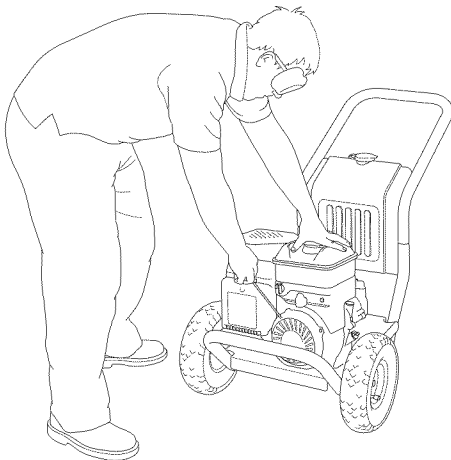
AVISO Antes de arrancar la limpiadora a presión, asegúrese de ponerse gafas de seguridad como se describe a continuación.

▲ ADVERTENCIA Riesgo de lesiones oculares. El agua rociada puede salpicar o propulsar objetos.



- Cuando utilice este equipo o esté cerca de él, siempre use gafas de seguridad con ventilación indirecta (contra salpicaduras de productos químicos) marcadas para cumplir con ANSI Z87.1.
- NUNCA se ponga gafas de seguridad ni gafas para entornos secos como sustituto de las gafas de seguridad con ventilación indirecta.

10. Cuando arranque el motor, colóquese en la posición que se recomienda a continuación. Sujete la manija y hale ligeramente la manija del arranque hasta que sienta cierta resistencia. Después hálela rápidamente.



▲ ADVERTENCIA El retroceso (repliegue rápido) del cable del arrancador puede producir lesiones. El retroceso impedirá que el usuario suelte el cable a tiempo y tirará de su mano y brazo hacia el motor. Como resultado, podrían producirse fracturas, contusiones o esguinces.

- NUNCA tire del cable del arrancador sin eliminar previamente la presión de la pistola rociadora.
- Cuando arranque el motor, tire lentamente del cable hasta sentir una resistencia y, a continuación, tire rápidamente de él para evitar su retroceso.
- Después de cada intento de arranque, cuando el motor no consiga arrancar, apunte con la pistola rociadora hacia una dirección segura, pulse el botón rojo y apriete el gatillo para descargar la presión.
- Sujete firmemente la pistola rociadora con ambas manos cuando aplique un rociado a alta presión para evitar lesiones cuando se produzca el retroceso de la pistola.

11. Jale la cuerda de arranque lentamente. NO permita que la cuerda regrese bruscamente en contra del arrancador.
12. Cuando arranque el motor, mueva lentamente la palanca del ahogador a la posición "En marcha" ("Run"). Si el motor falla, mueva la palanca a la posición "Ahogado" ("Choke"), y después a la posición "En marcha" ("Run").
13. Después de cada intento de arranque, cuando el motor no consiga arrancar, apunte con la pistola rociadora hacia una dirección segura, pulse el botón rojo y apriete el gatillo para descargar la presión. Mueva la palanca del ahogador a la posición "Ahogado" ("Choke"), y repite los pasos 10 por 12.
14. Si el motor no arranca después de 6 tirones, mueva la palanca del ahogador a la posición "En marcha" ("Run"), y repite los pasos 10 por 12.

▲ ADVERTENCIA El chorro de agua a alta presión que este equipo produce, puede atravesar la piel y los tejidos subcutáneos, provocando lesiones de gravedad que podrían dar lugar a la amputación de un miembro.



La pistola rociadora contiene agua a alta presión incluso con el motor parado y el agua desconectada, que puede causar la herida.

- NO permita en ningún momento que NIÑOS operen la máquina limpiadora a presión.
- Mantenga conectada la manguera a la máquina o a la pistola de rociado cuando el sistema esté presurizado.
- NUNCA apunte la pistola a la gente, animales o plantas.
- NO fije la pistola rociadora en la posición abierta.
- NO abandone la pistola rociadora cuando la máquina esté en funcionamiento.
- NUNCA utilice una pistola rociadora cuyo seguro o protección para el gatillo no esté en perfecto estado de funcionamiento.
- Asegúrese en todo momento de conectar correctamente la pistola rociadora, las boquillas y los accesorios.

▲ ADVERTENCIA El contacto con la zona del silenciador puede producir quemaduras graves. Los gases y el calor de escape pueden inflamar los materiales combustibles y las estructuras o dañar el depósito de combustible y provocar un incendio.



- NO toque las superficies calientes y evite los gases del escape a alta temperatura.
- Permita que el equipo se enfríe antes de tocarlo.
- Deje un espacio mínimo de 1.5 m (5 pies) alrededor del limpiadora a presión, incluida la parte superior.
- Utilizar el motor en un terreno boscoso, con maleza o cubierto de hierba constituye una infracción al Código de recursos públicos de California, a menos que el sistema de escape esté equipado con una pantalla apagachispas, de acuerdo a la definición de la Sección 4442, que se mantenga en buenas condiciones de funcionamiento. En otros estados o jurisdicciones federales puede haber leyes similares en vigor. Póngase en contacto con el fabricante, el vendedor o el distribuidor del equipo original para obtener una pantalla apagachispas diseñada para el sistema de escape instalado en este motor.
- Las piezas de recambio deben ser las mismas que las piezas originales y estar instaladas en la misma posición.

AVISO Siempre mantenga el control de válvula de regulación en el "Rápido" ("Fast") posición cuando opere la limpiadora a presión.

Cómo Detener su Limpiadora a Presión

1. Suelte el gatillo de la pistola rociadora y deje funcionar el motor al ralentí durante dos minutos.
2. Mueva el acelerador a la posición "Slow" (Lento), y luego a la posición "Stop" (Parada).

▲ ADVERTENCIA El motor podría petardear, incendiarse o dañarse.



- NO coloque la palanca estranguladora en la posición "Choke" (I\I) para parar el motor.

3. SIEMPRE fusil de punto en una dirección segura, presione el seguro (botón rojo) y el disparador del fusil del rocío del estriujón para liberar la presión retenida de la pleamar.

AVISO La pistola rociadora contiene agua a alta presión incluso con el motor parado y el agua desconectada.

▲ ADVERTENCIA El chorro de agua a alta presión que este equipo produce, puede atravesar la piel y los tejidos subcutáneos, provocando lesiones de gravedad que podrían dar lugar a la amputación de un miembro.



La pistola rociadora contiene agua a alta presión incluso con el motor parado y el agua desconectada, que puede causar la herida.

- Mantenga conectada la manguera a la máquina o a la pistola de rociado cuando el sistema esté presurizado.
- SIEMPRE que pare el motor, apunte con la pistola rociadora hacia una dirección segura, presione el seguro (botón rojo) y apriete el gatillo para descargar la presión y evitar el retroceso.

Cómo Utilizar el Selector PrecisionSpray™

Consulte las instrucciones de uso en la hoja de instrucciones del selector PrecisionSpray™.

AVISO El producto sufrirá daños si se aprieta el gatillo de la pistola con el selector situado entre dos posiciones de boquilla.

- NUNCA gire el selector durante el rociado.

Limpieza y Aplicación del Detergente

▲ PRECAUCIÓN Los productos químicos pueden provocar lesiones de gravedad y/o daños materiales.

- NUNCA utilice líquidos cáusticos con la limpiadora a presión.
- Use EXCLUSIVAMENTE detergentes o jabones especiales para la limpiadora a presión. Siga todas las instrucciones del fabricante.

Para aplicar el detergente, siga los siguientes pasos:

1. Conecte una de las mangueras de inyección de detergente conforme a las instrucciones que se detallan en la sección *Conecte la manguera de inyección de detergente a la bomba.*

AVISO El contacto con el silenciador a alta temperatura puede producir daños en el tubo de inyección de detergente.

- Cuando coloque el filtro en la botella del detergente, coloque el tubo de manera que no entre en contacto accidentalmente con el silenciador caliente.
2. Prepare la solución detergente siguiendo las instrucciones del fabricante.
 3. Asegúrese de que la llave de paso de detergente del limpiar el tanque está en la posición "Off".
 4. Si utiliza un limpiar el tanque, vierta detergente en su interior.

AVISO La capacidad del limpiar el tanque es de 7,6 l (2 galóns).

AVISO El limpiar el tanque puede resultar dañado si no se vacía antes de quitar el asa.

5. Gire el selector PrecisionSpray™ hasta una posición de baja presión, como se describe en la hoja de instrucciones.

AVISO No se puede aplicar detergente con el selector PrecisionSpray™ en una posición de alta presión.

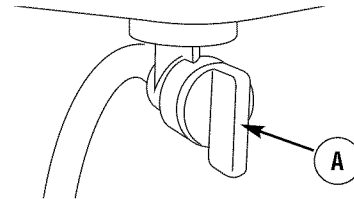
6. Asegúrese de que la manguera del jardín esté conectada a la entrada de agua. Compruebe que la manguera de alta presión esté conectada a la pistola rociadora y a la bomba. Abra la alimentación de agua.

AVISO Usted deberá conectar todas las mangueras antes de darle arranque al motor.

- Arrancar el motor sin tener todas las mangueras conectadas y sin el suministro de agua ABIERTO (ON) causará el daño de la bomba.
- El daño a la limpiadora a presión, resultado de la desatención a esta precaución, no será cubierto por la garantía.

7. Arranque el motor conforme a las instrucciones de *Puesta en funcionamiento de la limpiadora a presión.*

- 8A. Si utiliza el limpiar el tanque, gire la llave de paso de detergente del depósito hasta la posición "On" (A).



AVISO Si utiliza una manguera de inyección de detergente, asegúrese de que la llave de paso de detergente del limpiar el tanque está en la posición "Off".

- 8B. Si utiliza una manguera de inyección de detergente, coloque el extremo del filtro pequeño del tubo de inyección de detergente en el recipiente del detergente.

AVISO El contacto con el silenciador a alta temperatura puede producir daños en el tubo de inyección de detergente.

- Cuando coloque el filtro en la botella del detergente, coloque el tubo de manera que no entre en contacto accidentalmente con el silenciador caliente.

AVISO Asegúrese de que el filtro esté totalmente sumergido mientras se aplica el detergente.

9. Aplique el detergente sobre la superficie seca, comenzando en la parte inferior del área y dirigiéndose hacia arriba, utilizando movimientos largos, parejos y superpuestos.
10. Permita que el detergente "penetre" de 3 a 5 minutos antes de enjuagar. Vuelva a aplicarlo cuando sea necesario para evitar que la superficie se seque. NO permita que el detergente se seque. Si permite que el detergente se seque, la superficie podría quedar con manchas.

AVISO Si utiliza la manguera de inyección de detergente, limpie el circuito de inyección de detergente después de cada uso. Para ello, coloque el filtro en un cubo de agua fría y haga funcionar la limpiadora a baja presión durante 1 ó 2 minutos.

Enjuage de la Máquina Limpiadora a Presión

Después de haber aplicado el detergente, refriegue la superficie y enjuagela de la siguiente manera:

1. Asegúrese de que la válvula de paso de detergente está en la posición "Off".
2. Gire el selector PrecisionSpray™ hasta una posición de alta presión, como se describe en la hoja de instrucciones.
3. Mantenga la pistola de rociado a una distancia segura del área que planea rociar.

▲ ADVERTENCIA El retroceso de la pistola rociadora puede provocar caídas.



- Utilice la limpiadora a presión desde una superficie estable.
- Extreme las precauciones si necesita utilizar la limpiadora a presión desde una escalera, un andamio u otro lugar similar.
- Sujete firmemente la pistola rociadora con ambas manos cuando aplique un rociado a alta presión para evitar lesiones cuando se produzca el retroceso de la pistola.

4. Aplique un rociado de alta presión a una pequeña zona y luego compruebe si se ha producido algún tipo de daño. Si no aprecia daños, continúe en el paso 5.
5. Comience en la parte superior del área que va a enjuagar, dirigiéndose hacia abajo con los mismos movimientos superpuestos que utilizó para la limpieza.

Limpieza del tubo de inyección de detergente

Si usó el tubo, debe lavarlo con agua limpia antes de parar el motor.

1. Coloque el filtro y la inyección de detergente en un balde lleno de agua limpia.
2. Gire el selector PrecisionSpray™ hasta una posición de baja presión, como se describe en la hoja de instrucciones.
3. Lave de 1 a 2 minutos.
4. Pare el motor siguiendo las instrucciones de la sección *Cómo detener su limpiadora a presión* y cierre la entrada de agua.
5. SIEMPRE apunte la pistola rociadora hacia una dirección segura, oprima el botón rojo y apriete el gatillo de la pistola rociadora para liberar la presión.

AVISO La pistola rociadora contiene agua a alta presión incluso cuando el motor está apagado y el tubo de agua está desconectado.

▲ ADVERTENCIA El chorro de agua a alta presión que este equipo produce, puede atravesar la piel y los tejidos subcutáneos, provocando lesiones de gravedad que podrían dar lugar a la amputación de un miembro.



La pistola rociadora contiene agua a alta presión incluso con el motor parado y el agua desconectada, que puede causar la herida.

- Mantenga conectada la manguera a la máquina o a la pistola de rociado cuando el sistema esté presurizado.
- SIEMPRE que pare el motor, apunte con la pistola rociadora hacia una dirección segura, presione el seguro (botón rojo) y apriete el gatillo para descargar la presión y evitar el retroceso.

Sistema de Enfriamiento Automático (Alivio Térmico)

El agua que circula dentro de la bomba puede alcanzar temperaturas entre los 125°-155°F si hace funcionar el motor de su máquina limpiadora a presión de 3 a 5 minutos sin oprimir el gatillo de la pistola de rociado. El sistema de enfriamiento automático se activa a esta temperatura y enfría la bomba descargando agua caliente en el piso, evitando así el daño interno de la bomba.

ESPECIFICACIONES

INFORMACIÓN TÉCNICA SOBRE EL MOTOR

El motor es de uno cilindros, de válvulas en cabeza (OHV), refrigerado por aire y de baja emisión.

En el Estado de California, los motores de la serie 120000 han obtenido la certificación del California Air Resources Board (Consejo de recursos de aire de California) de cumplimiento de la normativa sobre emisiones durante 125 horas. Esta certificación no supone para el comprador, el propietario o el usuario ninguna garantía adicional en lo relativo al rendimiento y a la vida útil del motor. Las garantías del motor atañen exclusivamente al producto y a las emisiones que se declaran en este manual.

Potencia Nominal

El valor de potencia bruta de cada modelo de motor de gasolina se indica en la etiqueta conforme a los requisitos del código J1940 (Procedimiento de valoración de potencia y par de pequeños motores) de la SAE (Society of Automotive Engineers, Sociedad de ingenieros de automoción). Los valores nominales se han obtenido y corregido conforme al código SAE J1995 (Revisión 2002-05). Los valores de par se obtienen a 3060 rpm, y los valores de potencia, a 3600 rpm. La potencia bruta real del motor será inferior y dependerá, entre otros factores, de las condiciones ambientales de uso y de las variaciones entre distintos motores del mismo modelo. Dada la amplia variedad de productos que utilizan nuestros motores y la multitud de factores ambientales que pueden afectar a su funcionamiento, es posible que el motor de gasolina no desarrolle toda su potencia bruta nominal en determinados equipos (potencia real "in situ"). Esta diferencia se debe, entre otros, a los siguientes factores: accesorios (filtro de aire, escape, carga, refrigeración, carburador, bomba de combustible, etc.), limitaciones de la aplicación, condiciones ambientales de uso (temperatura, humedad, altitud) y variaciones entre distintos motores de un mismo modelo. Briggs & Stratton podrá sustituir el motor de esta serie por otro de mayor potencia nominal en caso de limitaciones de fabricación o capacidad.

Esta limpiadora a presión está clasificada conforme a la norma PW101 (comprobación y clasificación de rendimiento de limpiadoras a presión) de la Asociación de fabricantes de bombas a presión (Pressure Washer Manufacturer's Association, PWMA).

ESPECIFICACIONES DEL PRODUCTO

Especificaciones de la Máquina Limpiadora a Presión

Presión de salida máxima 3,100 PSI
Caudal máximo 2.5 GPM
Mezcla de químicos Use según instrucciones
Temperatura del suministro
de agua Que no exceda los 100°F

Especificaciones del Motor

Diámetro de camisa 68 mm (2,672 pulgadas)
Carrera 56 mm (2,204 pulgadas)
Desplazamiento 206 cc (12,48 pulgadas)

Bujía

Tipo de reóstato: Briggs & Stratton 491055

Tipo de larga de vida de platino: Briggs & Stratton 5066

Calibrar Separación a: 0.030 pulgadas (0.76 mm)

Entrehierro del inducido: 0,25-0,36 mm
(0,010-0,014
pulgadas)

Holgura de la válvula con muelles de válvula instalados y pistón de 6 mm (0,25 pulgadas) pasado el punto muerto superior (comprobar con el motor en frío)

Admisión 0,10-0,15 mm (0,004-0,006 pulgadas)

Escape 0,23-0,28 mm (0,009-0,011 pulgadas)

Capacidad de Gasolina 1.6 Cuartos

Capacidad de Aceite 0.6 litros (20 onzas)

AVISO Para un mejor funcionamiento, la carga de potencia no debe superar el 85% de la potencia nominal. La potencia del motor se reducirá un 3,5% por cada 300 metros (1.000 pies) de altitud y un 1% por cada 5,6 °C (10 °F) a partir de 25 °C (77 °C). Funcionará satisfactoriamente en un ángulo de hasta 15°.

MANTENIMIENTO

PLAN DE MANTENIMIENTO

Siga los intervalos de horas o de calendario, los que sucedan antes. Si opera en condiciones adversas (señaladas más abajo) es necesario un mantenimiento más frecuente.

Primeras Cinco (5) Horas
<ul style="list-style-type: none">• Cambie el aceite del motor
Cada 8 horas o diario
<ul style="list-style-type: none">• Revise/limpie el filtro de la entrada de agua¹• Revise la manguera de alta presión• Revise la mangueras del detergente/limpiar el tanque• Revise la pistola aspersora y verifique que no haya fugas en el ensamblaje• Limpie los residuos• Compruebe el nivel de aceite
Cada 25 horas o una vez al año
<ul style="list-style-type: none">• Mantenimiento del filtro de aire²
Cada 50 horas o una vez al año
<ul style="list-style-type: none">• Cambie el aceite del motor²• Inspeccione el silenciador y la pantalla apagachispas
Cada 100 horas o una vez al año
<ul style="list-style-type: none">• Servicio a la bujía• Limpie el sistema de refrigeración²

¹ Limpiar si está obstruido. Reemplazar si está perforado o roto.

² Servicio más a menudo bajo condiciones de suciedad o polvo.

Recomendaciones generales

El mantenimiento periódico mejorará el rendimiento y prolongará la vida útil del limpiadora a presión. Si necesita asistencia, consulte con un distribuidor de Sears o con otro distribuidor cualificado.

La garantía de la máquina limpiadora a presión NO cubre los elementos que han sido sujetos a abuso o negligencia por parte del operador. Para hacer válida la cobertura total de la garantía, el operador deberá mantener la lavadora de presión tal y como se indica en el manual, incluyendo su adecuado almacenamiento, como se describe en la sección *Almacenamiento en el Invierno* y *Almacenamiento prolongado*.

AVISO Una vez al año, usted deberá limpiar o reemplazar la bujía y el filtro de aire. Una bujía nueva y un filtro de aire limpio garantizan una mezcla de combustible-aire adecuada y le ayuda a su motor a funcionar mejor y a tener una vida útil más prolongada.

Bomba de Aceite

NO realice ninguna operación de mantenimiento con el aceite de la bomba. La bomba se suministra prelubricada y sellada en fábrica, y no requiere lubricación adicional durante su vida útil.

Control de Emisiones

Cualquier establecimiento o individuo especializado en la reparación de motores que no sean de automoción puede encargarse del mantenimiento, la sustitución y la reparación de los dispositivos y sistemas de control de emisiones. No obstante, para realizar la revisión gratuita de control de emisiones, deberá acudir a un distribuidor autorizado por el fabricante. Véase *Garantía de emisiones*.

Antes de Cada Uso

1. Revise el nivel de aceite del motor.
2. Limpie los residuos.
3. Revise si existen daños en el colador de la entrada de agua.
4. Revise si existen daños en el mangueras del detergente y limpiar el tanque.
5. Revise si existen daños en el manguera de alta presión.
6. Revise si existen fugas en el conjunto de la pistola rociadora.
7. Elimine el aire y los contaminantes de la bomba.

MANTENIMIENTO DE LA MAQUINA LAVADORA A PRESION

Limpie los Residuos

Limpie a diario, o antes de cada uso, los residuos acumulados en el limpiadora a presión. Mantenga limpias las conexiones, los muelles y los mandos. Limpie todo resto de combustible de la zona que rodea al silenciador y de detrás del mismo. Inspeccione las ranuras para aire de enfriamiento y la apertura del limpiadora a presión. Estas aperturas deberán mantenerse limpias y despejadas.

Mantenga limpios los componentes del limpiadora a presión para reducir el riesgo de sobrecalentamiento e ignición de los residuos acumulados.

- Utilice un trapo húmedo para limpiar las superficies exteriores.

AVISO El tratamiento inadecuado del limpiadora a presión puede dañarlo y acortar su vida productiva.

- NO inserte cualquier objeto a través de las ranuras de enfriamiento.

- Puede usar un cepillo de cerdas suaves para retirar la suciedad endurecida, aceite, etc.
- Puede usar una máquina aspiradora para eliminar suciedad y residuos sueltos.

Revise y Limpie el Colador de Entrada

Examine el colador de entrada de la manguera de jardín. Límpielo si está tapado o reemplacelo si está roto.

Revise la Manguera de Alta Presión

La manguera de alta presión pueden desarrollar fugas debido al desgaste, dobleces o abuso. Revise la manguera antes de cada uso. Revise si existen cortes, fugas, abrasiones, levantamiento de la cubierta, daño o movimiento de los acoplamientos. Si existe cualquiera de estas condiciones, reemplace la manguera inmediatamente.

▲ ADVERTENCIA El chorro de agua a alta presión que este equipo produce, puede atravesar la piel y los tejidos subcutáneos, provocando lesiones de gravedad que podrían dar lugar a la amputación de un miembro.



- NUNCA repare la manguera de alta presión. Remplacela.
- Remplacela con una manguera que cumpla con la capacidad mínima de presión de su limpiadora a presión.

Revise la Mangueras del Detergente y Limpiar el Tanque

Examine el mangueras del detergente y limpiar el tanque y límpielo si se encuentra sucio. El mangueras debería quedar apretado en la pieza. Examine el mangueras para ver si existe cualquier tipo de goteo o está roto. Reemplace el mangueras del detergente y limpiar el tanque si alguno de ellos se encuentra dañado.

Revise la Pistola Rociadora

Examine la conexión de la manguera con la pistola rociadora y asegúrese de que es correcta. Pruebe el gatillo pulsando el botón rojo y asegúrese de que el gatillo retrocede a su sitio al soltarlo. No debería poder apretar el gatillo sin pulsar primero el botón rojo. Cambie inmediatamente la pistola rociadora si falla cualquiera de estas pruebas.

Mantenimiento de la Boquilla

Si siente una sensación pulsante al momento de apretar el gatillo de la pistola rociadora, puede que sea causada por la presión excesiva en la bomba. La causa principal de la presión excesiva en la bomba es cuando la boquilla se encuentra atascada o tapada con materiales extraños, tales como tierra, etc. Para corregir el problema, limpie inmediatamente la boquilla siga las instrucciones siguientes:

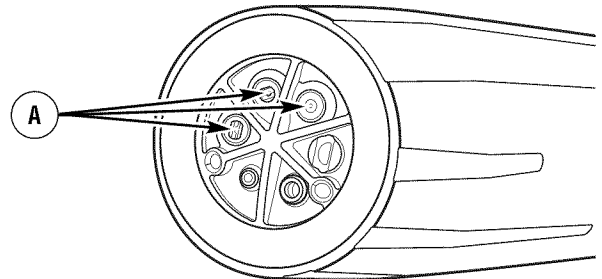
1. Apague el motor y apague el suministro de agua.
2. Apunte SIEMPRE con la pistola rociadora hacia una dirección segura, pulse el botón rojo y apriete el gatillo para descargar el agua a alta presión restante.

▲ ADVERTENCIA El chorro de agua a alta presión que este equipo produce, puede atravesar la piel y los tejidos subcutáneos, provocando lesiones de gravedad que podrían dar lugar a la amputación de un miembro.

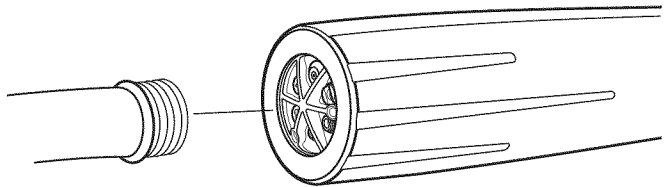


- La pistola rociadora contiene agua a alta presión incluso con el motor parado y el agua desconectada, que puede causar la herida.
- Mantenga conectada la manguera a la máquina o a la pistola de rociado cuando el sistema esté presurizado.
 - SIEMPRE que pare el motor, apunte con la pistola rociadora hacia una dirección segura, presione el seguro (botón rojo) y apriete el gatillo para descargar la presión y evitar el retroceso.

3. Desconecte el selector PrecisionSpray™ de la pistola rociadora.
4. Utilice un pequeño clip para papel para eliminar todo material extraño que pueda obstruir las boquillas (A).



5. Utilice una manguera de riego para eliminar los restos haciendo pasar agua por el selector PrecisionSpray™ en el sentido contrario al del rociado durante 30 a 60 segundos.



6. Vuelva a conectar el selector PrecisionSpray™ a la pistola rociadora.
7. Asegúrese de que la manguera del jardín está conectada a la entrada de agua. Compruebe que la manguera de alta presión está conectada a la pistola rociadora y a la bomba. Abra la alimentación de agua.
8. Ponga en marcha el motor siguiendo las instrucciones de la sección *Cómo poner en funcionamiento la limpiadora a presión*.
9. Pruebe la limpiadora a presión utilizándola con las distintas boquillas.

Mantenimiento de los Anillos 'O'

Compre una O-Juego de Reparación de Anillo en sus Sears locales o llamando **1-800-4-MY-HOME (469-4663)** o en línea en www.sears.com. No se incluye con la arandela de la presión. Este juego incluye los anillos del reemplazo O, arandela de caucho y filtro de cala de agua. Refiérase a la hoja de la instrucción proporcionada en el juego para atender a su unidad'los anillos de s O.

▲ ADVERTENCIA El chorro de agua a alta presión que este equipo produce, puede atravesar la piel y los tejidos subcutáneos, provocando lesiones de gravedad que podrían dar lugar a la amputación de un miembro.



- NUNCA utilice ningún tipo de sellador para reparar una fuga en una conexión. Sustituya la junta tórica o la junta.

MANTENIMIENTO DEL MOTOR

⚠ ADVERTENCIA Chispear involuntario puede tener como resultado el fuego o el golpe eléctrico.



CUANDO AJUSTE O HAGA REPARACIONES A SU MÁQUINA LIMPIADORA A PRESIÓN

- Siempre desconecte el alambre de la bujía y colóquelo donde no pueda entrar en contacto con la bujía.

CUANDO PRUEBE LA BUJÍA DEL MOTOR

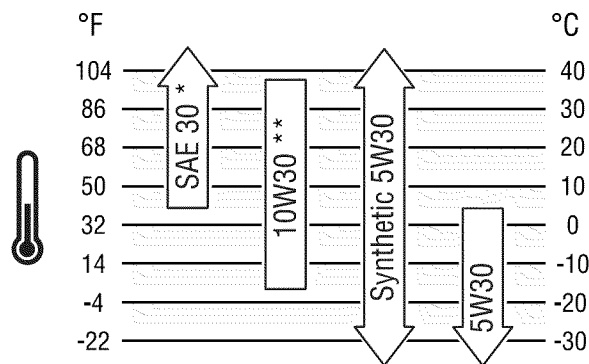
- Utilice un comprobador de bujías homologado.
- NO compruebe la chispa sin la bujía instalada.

Aceite

Recomendaciones sobre el aceite

Para obtener el mejor rendimiento, recomendamos utilizar aceites certificados con garantía Briggs & Stratton. También se pueden utilizar otros aceites detergentes de alta calidad con clasificación de servicio SF, SG, SH, SJ o superior. NO utilice aditivos especiales.

Las temperaturas exteriores determinan la viscosidad adecuada del aceite para el motor. Utilice el cuadro para seleccionar la mejor viscosidad para el intervalo de temperatura exterior previsto.



* Por debajo de 4 °C (40 °F), el uso de aceite SAE 30 provocará dificultades de arranque.

** Por encima de 27 °C (80 °F) el uso de aceite 10W30 puede aumentar el consumo de aceite. Compruebe el nivel de aceite con mayor frecuencia.



AVISO Todo aceite sintético que cumpla las especificaciones ILSAC GF-2, con marca de certificación API y con símbolo de servicio API (se muestra a la izquierda) con "SJ/CF ENERGY CONSERVING" o superior es un aceite aceptable a todas las temperaturas. El uso de aceite sintético no altera los intervalos de cambio de aceite indicados.

Comprobación del nivel de aceite

Compruebe el nivel de aceite antes de cada uso o cada 8 horas de funcionamiento, como mínimo. Rellene si es necesario.

1. Coloque el limpiadora a presión sobre una superficie nivelada.
2. Quite el tapón de llenado de aceite y límpielo con un trapo.
3. Compruebe que el aceite llega hasta el punto de desbordamiento en el orificio de llenado.
4. Instale el tapón de llenado de aceite, apriete firmemente.

Adición de Aceite del Motor

1. Coloque el limpiadora a presión sobre una superficie nivelada.
2. Compruebe el nivel de aceite tal como se indica en la sección *Comprobación del nivel de aceite*.
3. Si es necesario, vierta lentamente aceite por el orificio de llenado hasta el punto de desbordamiento en el tapón de llenado de aceite.
4. Instale el tapón de llenado de aceite, apriete firmemente.

Cambio de Aceite del Motor

Si está utilizando su generador bajo condiciones de extrema suciedad o polvo, o en un clima demasiado caliente, haga el cambio de aceite más frecuentemente.

⚠ PRECAUCIÓN Evite el contacto prolongado o repetido de piel con aceite usado de motor.

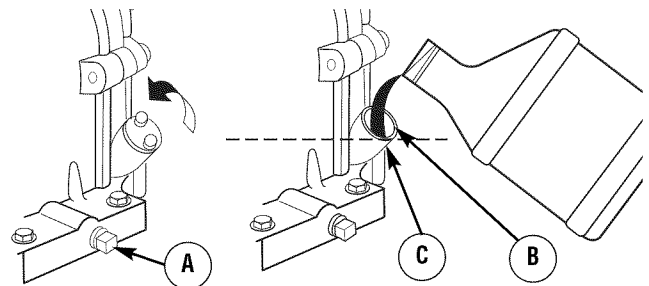
- El aceite usado del motor ha sido mostrado al cáncer de la piel de la causa en ciertos animales del laboratorio.
- Completamente lavado expuso áreas con el jabón y el agua.



MANTENER FUERA DEL ALCANCE DE LOS NIÑOS. NO CONTAMINE. CONSERVE LOS RECURSOS. DEPOSITE EL ACEITE USADO EN UN PUNTO DE RECOGIDA.

Cambie el aceite cuando el motor siga estando caliente después de haber funcionado:

1. Asegúrese de que la unidad esté en una superficie plana.
2. Desconecte el cable de la bujía de esta y colóquelo donde no pueda entrar en contacto con la bujía.
3. Limpie la zona de alrededor del tapón de vaciado de aceite (A), situado en la base del motor, al otro lado del carburador.



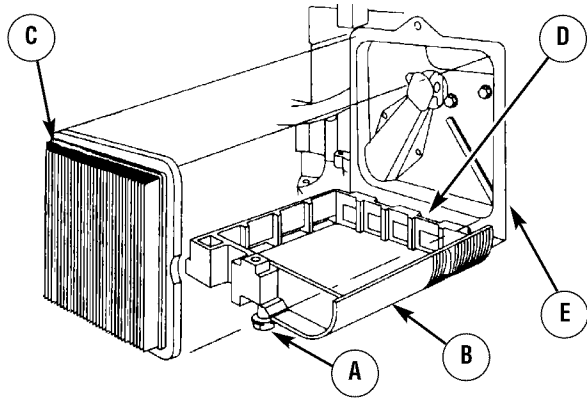
4. Quite el tapón de llenado de aceite y vacíe todo el aceite en un recipiente adecuado.
5. Vuelva a colocar el tapón de vaciado y apriételo bien. Quite el tapón de llenado de aceite.
6. Vierta lentamente unos 0,6 litros (20 onzas) de aceite por el orificio de llenado (B) hasta el punto de desbordamiento (C).
7. Vuelva a colocar el tapón de llenado de aceite. Apriételo firmemente a mano.
8. Limpie los residuos de aceite.

Servicio del Depurador de Aire

Su motor no funcionará adecuadamente y puede dañarse si usted lo hace funcionar con un depurador de aire sucio. Suministre servicio más frecuentemente si la unidad funciona bajo condiciones de mucha suciedad o polvo. Los repuestos se encuentran disponibles en su centro de servicio local Sears.

Para dar servicio al filtro de aire, siga los pasos que se detallan a continuación:

1. Afloje el tornillo (A) y quite la cubierta (B).



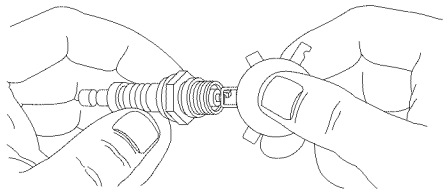
2. Remueva cuidadosamente el cartucho (C).
3. Para limpiar el cartucho, golpee ligeramente su costado de papel plegado sobre una superficie firme.
4. Reinstale el juego de cartucho nuevo o limpio debajo de la cubierta.
5. Inserte las lengüetas (D) de la cubierta en las ranuras que se encuentran en el fondo de la base (E).
6. Coloque la cubierta en su lugar y apriete el tornillo firmemente a la base.

AVISO Usted puede comprar los elementos del filtro de aire nuevos llamando al 1-800-4-MY-HOME (469-4663).

Reemplace la Bujía

Cambie la bujía ayudará a su motor a arrancar más fácilmente y funcionar mejor.

1. Limpie el área alrededor de la bujía y retírela.
2. Retire y revise la bujía.
3. Cambie la bujía si los electrodos están picados o quemados o si la porcelana está agrietada. Utilice la bujía de repuesto recomendada. Consulte *Especificaciones*.
4. Compruebe la separación del electrodo con un calibrador de alambre y ajuste el espacio de la bujía a la medida recomendada si fuera necesario (véase *Especificaciones*).



5. Instale la bujía y apriétela firmemente.

AVISO Puede adquirir nuevas bujías al número telefónico 1-800-4-MY-HOME (469-4663).

Inspeccione el Silenciador y la Pantalla Apagachispas

Inspeccione que el silenciador no presente fisuras, corrosión u otros daños. Desmonte la pantalla apagachispas, si cuenta con una, y verifique que no presente daños ni obstrucción por carbón. En caso de que se necesiten piezas de recambio, asegúrese de usar solamente piezas de recambio originales para el equipo.

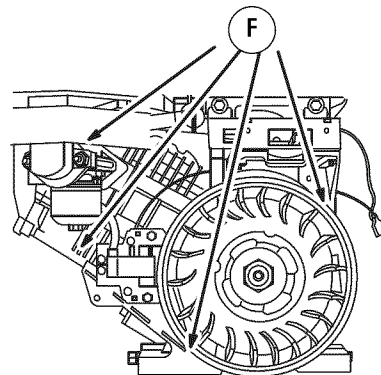
AVISO Para obtener el número de parte llame al 1-800-4-MY-HOME (469-4663).

▲ ADVERTENCIA El contacto con la zona del silenciador puede producir quemaduras graves. Los gases y el calor de escape pueden inflamar los materiales combustibles y las estructuras o dañar el depósito de combustible y provocar un incendio.

- NO toque las superficies calientes y evite los gases del escape a alta temperatura.
- Permita que el equipo se enfríe antes de tocarlo.
- Deje un espacio mínimo de 1.5 m (5 pies) alrededor del limpiadora a presión, incluida la parte superior.
- Utilizar el motor en un terreno boscoso, con maleza o cubierto de hierba constituye una infracción al Código de recursos públicos de California, a menos que el sistema de escape esté equipado con una pantalla apagachispas, de acuerdo a la definición de la Sección 4442, que se mantenga en buenas condiciones de funcionamiento. En otros estados o jurisdicciones federales puede haber leyes similares en vigor. Póngase en contacto con el fabricante, el vendedor o el distribuidor del equipo original para obtener una pantalla apagachispas diseñada para el sistema de escape instalado en este motor.
- Las piezas de recambio deben ser las mismas que las piezas originales y estar instaladas en la misma posición.

Sistema de Refrigeración de Aire

Con el tiempo, se pueden acumular residuos en las aletas de refrigeración del cilindro y pasar inadvertidos mientras no se desmonte parcialmente el motor. Recomendamos que encargue la limpieza del sistema de refrigeración (F) a un distribuidor autorizado de servicio Sears siguiendo los intervalos recomendados (consulte la sección *Calendario de Mantenimiento*). Es igualmente importante que no se acumulen residuos en el motor. Consulte la sección *Limpie los Residuos*.



DESPUES DE CADA USO

No deberá haber agua en la unidad por largos períodos de tiempo. Los sedimentos de minerales se pueden depositar en partes de la bomba y “congelar” su funcionamiento. Lleve a cabo estos procedimientos después de cada uso:

1. Limpie el circuito de detergente girando la llave de paso de detergente hasta la posición “Off” y haga funcionar la limpiadora a presión con el selector PrecisionSpray™ en una posición de baja presión. Prolongue la limpieza entre uno y dos minutos.
2. Pare el motor, cierre la alimentación de agua, apunte con la pistola rociadora hacia una dirección segura, pulse el botón rojo y apriete el gatillo para descargar la presión. Deje enfriar el motor.

▲ ADVERTENCIA El chorro de agua a alta presión que este equipo produce, puede atravesar la piel y los tejidos subcutáneos, provocando lesiones de gravedad que podrían dar lugar a la amputación de un miembro.

La pistola rociadora contiene agua a alta presión incluso con el motor parado y el agua desconectada, que puede causar la herida.

- Mantenga conectada la manguera a la máquina o a la pistola de rociado cuando el sistema esté presurizado.
- SIEMPRE que pare el motor, apunte con la pistola rociadora hacia una dirección segura, presione el seguro (botón rojo) y apriete el gatillo para descargar la presión y evitar el retroceso.

3. Desconecte manga del fusil del rocío y salida alta de presión en la bomba. Desagüe agua de la manga, del fusil, y de la extensión de boquilla. Use un harapo para quitar la manga.
4. Saque todos los líquidos de la bomba halando la manija de retroceso aproximadamente 6 veces. Esto deberá evacuar la mayoría del líquido de la bomba.
5. Enrolle la manguera y cuélguela del gancho situado en el asa.
6. Almacene la unidad en una área limpia y seca.
7. Si planea almacenar la unidad por más de 30 días, vea la sección *Almacenamiento Prolongado* en próxima página.

▲ ADVERTENCIA La gasolina y sus vapores son extremadamente inflamables y explosivos. El fuego o una explosión pueden causar quemaduras severas e inclusive la muerte.

CUANDO ALMACENE O GUARDE EL EQUIPO CON COMBUSTIBLE EN EL TANQUE

- Almacene alejado de calderas, estufas, calentadores de agua, secadoras de ropa u otros aparatos electrodomésticos que posean pilotos u otras fuentes de ignición, porque ellos pueden encender los vapores de la combustible.

ALMACENAMIENTO

ALMACENAMIENTO PARA INVIERNO

AVISO Usted deberá proteger su unidad de las temperaturas de congelamiento.

- Si no lo hace, dañará permanentemente la bomba y la unidad no podrá funcionar.
- La garantía no cubre el daño de la unidad ocasionado por congelamiento.

Para proteger la unidad de las temperaturas de congelamiento:

1. Vacíe la limpiar el tanque como se indica a continuación:
 - a. Desconecte la manguera conectada al acoplamiento de inyección de la bomba. Coloque el extremo de la bomba en un recipiente adecuado.
 - b. Gire las llaves de paso de detergente hasta la posición "On" y abra la tapa del depósito. El contenido del depósito se vaciará por gravedad en el recipiente.
 - c. Vuelva a conectar la manguera al acoplamiento de inyección de la bomba. Añada 0,5 litros de agua dulce limpia el tanque y cierre las tapas de la tanque.
2. Limpie el circuito de limpieza. Para ello, sitúe la llave de paso de detergente en la posición "On", gire el selector PrecisionSpray™ a una posición de baja presión y ponga en funcionamiento la limpiadora a presión. Limpie el circuito hasta que se vacíe el primer depósito. Gire la llave de paso de detergente hasta la posición "Off".
3. Siga los pasos 2-5 en la sección previa *Después de Cada Uso*.
4. Utilice un protector de bomba, disponible en Sears con el número de catálogo 7174403GS, para cuidar la bomba. Aquél protege a la unidad contra el congelamiento y lubrica tanto los pistones como los empaques.
5. Si el protector de bomba no está disponible, conecte un tramo de 3 pies de manguera de jardín a la entrada de agua. Vierta anticongelante RV (anticongelante sin alcohol) en la manguera. Jale la manija de arranque dos veces. Desconecte después la manguera de 3 pies.
6. Almacene la unidad en una área limpia y seca.

ALMACENAMIENTO PROLONGADO

Si usted no planea usar la máquina limpiadora a presión por más de 30 días, deberá preparar el motor para un almacenamiento prolongado.

Es importante evitar la formación de depósitos de goma en las partes esenciales del sistema del combustible tales como carburador, filtro del combustible, manguera o tanque del combustible durante el almacenamiento. También, la experiencia indica que los combustibles con mezclas de alcohol (llamados gasohol, etanol o metanol) pueden atraer la humedad, lo que lleva a la separación y formación de ácidos durante el almacenamiento. La gasolina ácida puede dañar el sistema del combustible de un motor durante el almacenamiento.

Proteja el Sistema de Combustible

Aditivo para Combustible:

El combustible puede estar pasado 30 días después de su almacenamiento. El combustible pasado provoca la formación de residuos ácidos y de carbonilla en el circuito de combustible y en los componentes básicos del carburador. Para mantener el combustible en buen estado, utilice el estabilizador de combustible FRESH START® de Briggs & Stratton en cualquiera de sus variantes: líquido o cartucho concentrado con goteo.

Si se añade un estabilizador de combustible conforme a las instrucciones, no será necesario vaciar el motor de combustible. Haga funcionar el motor durante dos minutos para que el estabilizador circule por todo el circuito de combustible. El motor y el combustible se pueden almacenar hasta 24 meses.

Si no se ha añadido un estabilizador de combustible a la gasolina, deberá vaciar completamente el motor utilizando un contenedor homologado. Deje funcionar el motor hasta que se agote el combustible. Se recomienda utilizar un estabilizador de combustible en el contenedor de almacenamiento para mantener la gasolina en buen estado.

Cambio de Aceite

Con el motor todavía caliente, drene el aceite de la caja del cigüeñal. Vuelva a llenarlo con el grado de aceite recomendado. Vea *Cambio de Aceite*.

Protección de la Bomba

Para proteger la bomba frente a los daños que causan los depósitos minerales o la congelación, use PumpSaver, número de catálogo 7174403GS para cuidar la bomba. Esto evita los daños derivados de la congelación y lubrica los pistones y las juntas.

AVISO El PumpSaver están disponible sólo como un accesorio opcional. NO es incluido con la arandela de la presión. Avise el más cercano servicio autorizado central para comprar PumpSaver.

Al uso el PumpSaver, cerciórese la arandela de la presión se apaga y desconecta del agua del suministro. Lea y siga todas instrucciones y las advertencias dadas en el contenedor de PumpSaver.

Otras sugerencias para el almacenamiento

1. NO guarde combustible de una temporada a otra a menos que lo haya tratado como se indica en la sección *Aditivo para combustible*.
2. Reemplace la caneca de gasolina si comienza a oxidarse. El óxido y/o la suciedad en la gasolina le causará problemas.
3. Cubra su unidad con una cubierta de protección adecuada que no retenga humedad.

▲ ADVERTENCIA Las cubiertas para almacenamiento pueden ser inflamables.



- NO coloque una cubierta encima de un limpiadora a presión caliente.
- Deje que la unidad se enfríe lo suficientemente antes de que le coloque la cubierta.

4. Almacene la unidad en un área limpia y seca.

REPARACION DE DAÑOS

Problema	Causa	Solución
La bomba presenta los siguientes problemas: no produce presión, produce una presión errada, traqueteo, pérdida de presión, bajo volumen de agua.	<ol style="list-style-type: none"> 1. El selector PrecisionSpray™ está en una posición de baja presión. 2. La entrada de agua está bloqueada. 3. Suministro de agua inadecuado. 4. La manguera de entrada está doblada o presenta fugas. 5. El colador de la manguera de entrada está tapado. 6. El suministro de agua está por encima de los 100°F. 7. La manguera de alta presión está bloqueada o presenta fugas. 8. La pistola presenta fugas. 9. La boquilla del selector PrecisionSpray™ está obstruida. 10. Bomba defectuosa. 	<ol style="list-style-type: none"> 1. Gire el selector PrecisionSpray™ hasta una posición de alta presión. 2. Limpie la entrada. 3. Proporcione flujo de agua adecuado. 4. Estire la manguera de entrada, coloque un parche en la fuga. 5. Revise y limpie el colador de la manguera de entrada. 6. Proporcione suministro de agua más fría. 7. Retire las obstrucciones de la manguera de salida. 8. Reemplace la pistola. 9. Limpie las boquillas del selector PrecisionSpray™. 10. Póngase en contacto con el centro de servicio Sears.
El detergente no se mezcla con el rociado.	<ol style="list-style-type: none"> 1. Las llaves de paso de detergente están en la posición "Off". 2. El selector PrecisionSpray™ está en una posición de alta presión. 	<ol style="list-style-type: none"> 1. Gire la llave de paso de detergente del limpiar el tanque deseado hasta la posición "On". 2. Gire el selector PrecisionSpray™ hasta una posición de baja presión.
El motor funciona bien cuando no tiene cargas, pero funciona "mal" cuando se conecta una carga.	La velocidad del motor es demasiado lenta.	Mueva el control de la válvula de regulación a la posición FAST (RAPIDO). Si el motor continúa funcionando mal, póngase en contacto con el centro de servicio Sears.
El motor no arranca; o arranca y funciona mal.	<ol style="list-style-type: none"> 1. Depurador de aire sucio. 2. Sin gasolina. 3. Gasolina vieja. 4. El alambre de la bujía no está conectado a la bujía. 5. Bujía mala. 6. Agua en la gasolina. 7. Estrangulación excesiva. 8. Mezcla de combustible demasiado rica. 	<ol style="list-style-type: none"> 1. Limpie o reemplace el depurador de aire. 2. Llène el tanque de combustible. 3. Drene el tanque de gasolina; llénelo con combustible fresco. 4. Conecte el alambre a la bujía. 5. Reemplace la bujía. 6. Drene el tanque de gasolina; llénelo con combustible fresco. 7. Abra el cebador por completo y haga girar el motor. 8. Póngase en contacto con el centro de servicio Sears.
El motor se apaga durante la operación.	Sin gasolina.	Llene el tanque de combustible.
El motor no tiene fuerza.	Filtro de aire sucio.	Reemplace el filtro de aire.
El motor intenta estabilizarse o su funcionamiento no es constante.	Cebador abierto demasiado rápido	Mueva el cebador a la posición intermedia hasta que el motor funcione normalmente.

NOTAS

GARANTÍA DEL SISTEMA DE CONTROL DE EMISIONES

Garantía de control de emisiones de California, U.S. EPA y Sears

Derechos y obligaciones de la garantía

California Air Resources Board, U.S. EPA y Sears, Roebuck and Co. U.S.A. (Sears) le explican a continuación la garantía del sistema de control de emisiones de su motor/equipo modelo 2008 y posteriores. En California, los nuevos motores pequeños para máquinas de servicio deben estar diseñados, fabricados y equipados conforme a los exigentes estándares de lucha contra la contaminación del Estado. Sears garantiza el sistema de control de emisiones de su motor/equipo durante los períodos que se indican a continuación, siempre que no haya habido uso indebido, negligencia o mantenimiento indebido del motor pequeño para máquinas de servicio.

Su sistema de control de emisiones puede incluir componentes como el carburador o el sistema de inyección de combustible, el tanque de combustible, el sistema de arranque y el convertidor catalítico. También puede incluir mangueras, correas, conectores, detectores y otros conjuntos relacionados con las emisiones. Si se cumplen las condiciones de la garantía, Sears reparará el motor/equipo sin coste alguno, incluido el diagnóstico, los componentes y la mano de obra.

Cobertura de la garantía del fabricante:

Los motores pequeños para máquinas de servicio tienen dos años de garantía. Si algún componente del motor/equipo relacionado con las emisiones estuviera defectuoso, Sears lo reparará o sustituirá.

Responsabilidades de la garantía del propietario:

- Como propietario del motor/equipo pequeño, usted es responsable de llevar a cabo todas las operaciones de mantenimiento que se enumeran en el manual del propietario. Sears recomienda conservar todas las facturas relativas al mantenimiento del motor/equipo, pero Sears no puede denegar la garantía basándose únicamente en la falta de facturas o en la imposibilidad por parte del propietario de asegurar la correcta realización de todas las operaciones de mantenimiento.
- Como propietario del motor/equipo, debe ser consciente de que Sears puede denegar la cobertura de la garantía si el motor/equipo o uno de sus componentes falla debido a un uso indebido o negligente, un mantenimiento inadecuado o modificaciones no autorizadas.
- Usted es responsable de presentar su motor/equipo a un centro de distribución de Sears, distribuidor autorizado de servicio u otra entidad equivalente, según corresponda, en el momento en que surja un problema. Las reparaciones cubiertas por la garantía se llevarán a cabo en un plazo razonable, no superior a 30 días en ningún caso. En caso de preguntas sobre los derechos y responsabilidades relativos a la garantía, póngase en contacto con Sears llamando al (800) 469-4663.

Disposiciones de la garantía contra defectos del sistema de control de emisiones de Sears

A continuación se detallan las disposiciones concretas relativas a la Cobertura de la garantía contra defectos del sistema de control de emisiones. Se añaden a la garantía de motores de Sears para motores no regulados, que figura en el Manual del Operario.

1. Piezas garantizadas

La presente garantía cubre únicamente las piezas que se enumeran a continuación (piezas del sistema de control de emisiones) siempre que tales piezas estuvieran presentes en el motor adquirido.

- a. Sistema de regulación de combustible
 - Sistema de enriquecimiento para arranque en frío (estrangulador electrónico)
 - Carburador y piezas internas
 - Bomba de combustible
 - Conducto de combustible, acoplamientos del conducto de combustible, abrazaderas
 - Depósito de combustible, tapón y cadena
 - Bote de carbono
- b. Sistema de inducción de aire
 - Filtro de aire
 - Colector de admisión
 - Línea de purga y ventilación
- c. Sistema de encendido
 - Bujía(s)
 - Sistema de encendido magnético
- d. Sistema catalizador
 - Convertidor catalítico
 - Colector de escape
 - Sistema de inyección de aire o válvula de impulso
- e. Elementos diversos utilizados en los sistemas anteriores
 - Válvulas y conmutadores de aspiración, temperatura, posición y temporizados
 - Conectores y unidades

2. Duración de la cobertura

Durante un período de dos años desde la fecha de compra original, Sears garantiza al propietario original y a todo propietario posterior que el motor está diseñado, fabricado y equipado conforme a la normativa vigente adoptada por el Air Resources Board; que no tiene defectos de materiales ni de mano de obra que provoquen el fallo de un componente cubierto; y que es idéntico en todos los aspectos materiales al motor descrito en la aplicación de certificación del fabricante. El período de garantía comienza en la fecha de adquisición original del motor.

En EE.UU. y Canadá contamos con una línea de emergencia las 24 horas (1-800-469-4663), que ofrece un menú de mensajes pregrabados con información sobre mantenimiento de productos.

La garantía de los componentes relacionados con las emisiones es la siguiente:

- Los fallos de todo componente cubierto por la garantía que no se deba sustituir como parte del plan de mantenimiento obligatorio detallado en el manual del propietario entregado quedarán cubiertos por la garantía durante el período de la garantía especificado anteriormente. Si alguno de estos componentes falla durante el período de cobertura de la garantía, deberá ser reparado o sustituido por Sears sin cargo alguno para el propietario. Los componentes que se reparen o sustituyan en virtud de la garantía estarán cubiertos por la garantía durante el período de garantía restante.
- Los fallos de todo componente cubierto por la garantía que sólo se deba inspeccionar periódicamente según el manual del propietario entregado quedarán cubiertos por la garantía durante el período de la garantía especificado anteriormente. Los componentes que se reparen o sustituyan en virtud de la garantía estarán cubiertos por la garantía durante el período de garantía restante.
- Los fallos de todo componente cubierto por la garantía que se deba sustituir como parte del plan de mantenimiento obligatorio detallado en el manual del propietario entregado quedarán cubiertos por la garantía hasta el momento en que se indique que es necesario hacer la primera sustitución. Si el componente falla antes de la fecha de la primera sustitución, será reparado o sustituido por Sears sin cargo alguno para el propietario. Los componentes que se reparen o sustituyan en virtud de la garantía estarán cubiertos por la garantía durante el período de garantía hasta llegar a la fecha de la primera sustitución.
- No se podrán utilizar componentes complementarios o modificados no exentos por el Air Resources Board. El uso de componentes complementarios o modificados no exentos por parte del propietario dará lugar a la anulación de la garantía. El fabricante no será responsable de los fallos de componentes cubiertos por la garantía que se deban al uso de un componente complementario o modificado no exento.

3. Cobertura de daños derivados

La cobertura se ampliará a los fallos de cualquier componente del motor derivados del fallo de cualquier componente relacionado con el sistema de emisiones cubierto por la garantía.

4. Solicitudes y exclusiones de cobertura

Las solicitudes de garantía se cumplimentarán con arreglo a las disposiciones de la política de garantía de motores Sears. La cobertura no aplica a los fallos de componentes relacionados con el sistema de emisiones cubiertos por la garantía que no sean originales de Sears ni a los fallos debidos a uso indebido, negligencia o mantenimiento inadecuado, conforme a las disposiciones de la política de garantía de motores

Sears. Sears no será responsable de la cobertura de la garantía de fallos de componentes relacionados con el sistema de emisiones cubiertos por la garantía provocados por el uso de componentes complementarios o modificados.

Consulte la información sobre el período de durabilidad de las emisiones y el índice de aire en la etiqueta de emisiones del motor

Motores pequeños para máquinas de servicio con certificación de cumplimiento de la normativa sobre emisiones del California Air Resources Board (CARB) deben mostrar información sobre el período de durabilidad de las emisiones y el índice de aire. El fabricante del motor ofrece esta información al consumidor mediante etiquetas de emisiones. La etiqueta de emisiones del motor contiene la información de certificación.

El **Período de Durabilidad de las Emisiones** indica el número de horas durante las cuales el motor puede funcionar cumpliendo las normas sobre emisiones, siempre que se realicen las operaciones de mantenimiento que se detallan en las instrucciones de uso y mantenimiento. Se utilizan las siguientes categorías:

Moderado: El motor está certificado para cumplir la normativa sobre emisiones durante 125 horas de funcionamiento real.

Intermedio: El motor está certificado para cumplir la normativa sobre emisiones durante 250 horas de funcionamiento real.

Prolongado: El motor está certificado para cumplir la normativa sobre emisiones durante 500 horas de funcionamiento real.

Por ejemplo, un cortacésped con operario a pie se suele utilizar entre 20 y 25 horas al año. Por tanto, el **Período de Durabilidad de las Emisiones** de un motor con clasificación **intermedia** equivaldría a 10-12 años.

Los motores cuentan con la certificación de cumplimiento de la fase 2 de las normativas sobre emisiones de la United States Environmental Protection Agency (USEPA, Agencia estadounidense de protección del medioambiente). En el caso de los motores con certificación de fase 2, el período de cumplimiento de la normativa sobre emisiones que figura en la etiqueta de cumplimiento de emisiones indica el número de horas de funcionamiento durante las cuales el motor ha demostrado cumplir los requisitos federales sobre emisiones.

Para motores de menos de 225 cc:

Categoría C = 125 horas

Categoría B = 250 horas

Categoría A = 500 horas.

Para motores de 225 cc o más:

Categoría C = 250 horas

Categoría B = 500 horas

Categoría A = 1000 horas.

Get it fixed, at your home or ours!

Your Home

For expert troubleshooting and home solutions advice:

manage my home

www.managemyhome.com

For repair – **in your home** – of **all** major brand appliances, lawn and garden equipment, or heating and cooling systems, **no matter who made it, no matter who sold it!**

For the replacement parts, accessories and owner's manuals that you need to do-it-yourself.

For Sears professional installation of home appliances and items like garage door openers and water heaters.

1-800-4-MY-HOME[®] (1-800-469-4663)

Call anytime, day or night (U.S.A. and Canada)

www.sears.com www.sears.ca

Our Home

For repair of carry-in items like vacuums, lawn equipment, and electronics, call anytime for the location of your nearest

Sears Parts & Repair Service Center

1-800-488-1222 (U.S.A.) **1-800-469-4663** (Canada)

www.sears.com

www.sears.ca

To purchase a protection agreement on a product serviced by Sears:

1-800-827-6655 (U.S.A.)

1-800-361-6665 (Canada)

Para pedir servicio de reparación a domicilio, y para ordenar piezas:

1-888-SU-HOGAR[®]

(1-888-784-6427)

Au Canada pour service en français:

1-800-LE-FOYER^{MC}

(1-800-533-6937)

www.sears.ca

Sears