

Installation Instructions

50" MULCH KIT WITH BAFFLES

PART NO. 1687050
MODEL 107.277740

CRAFTSMAN®

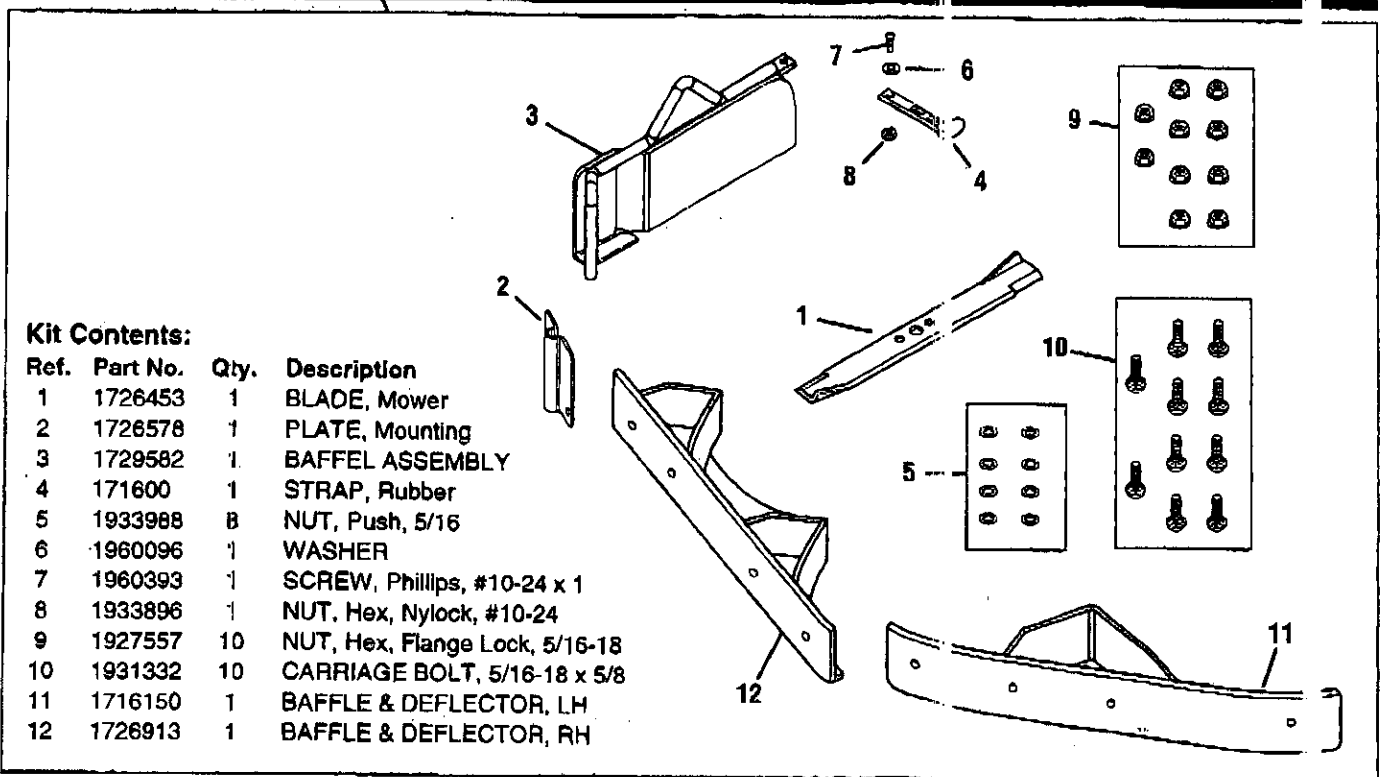


Figure 1. Contents

⚠ WARNING

Before beginning any service work turn off the PTO, set the parking brake, turn off the ignition, remove the key, and disconnect the spark plug wire(s).

INSTALLATION

1. Remove the mower deck. Refer to Operator's Manual (see Mower Deck Removal & Installation).
2. See Figure 2. Remove the RH blade. Use a block of wood to prevent blade rotation while loosening the capscrew by turning it counterclockwise.
3. Remove the capscrew (D, Figure 3), spring washer (C), hex washer (B), and blade (E).
4. Reinstall the blade with the lift wings (E, Figure 3) pointing up toward the mower deck as shown.
5. Reinstall the hex washer (B, Figure 3), spring washer (C) and capscrew (D). Use a wooden block (A) to prevent blade rotation while tightening the capscrew (D) to 45-55 ft. lbs. (61-75 N.m). Turn capscrew clockwise to tighten.

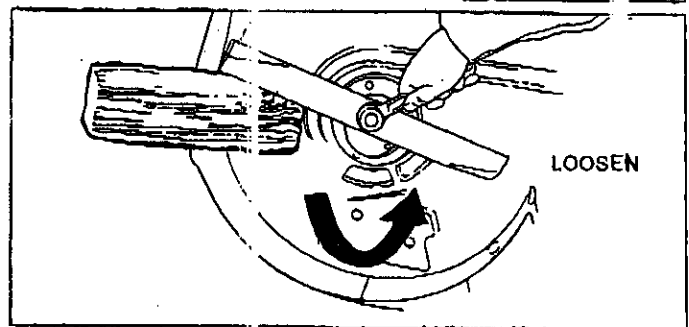


Figure 2. Blade Removal

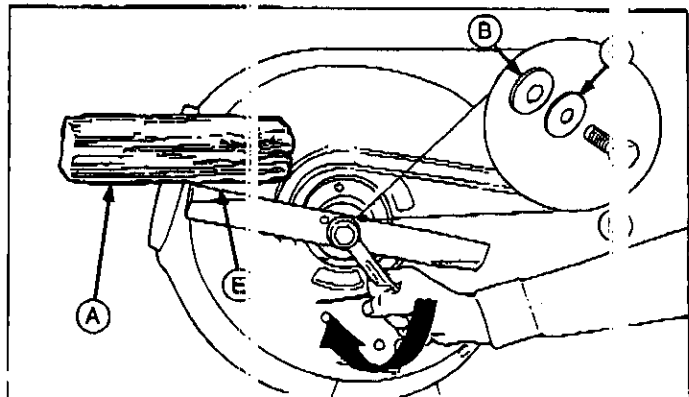


Figure 3. Blade Installation

- | | |
|-------------------|-----------------------|
| A. 4x4 Wood Block | D. Blade Capscrew |
| B. Hex Washer | E. Blade w/Lift Wings |
| C. Spring Washer | |

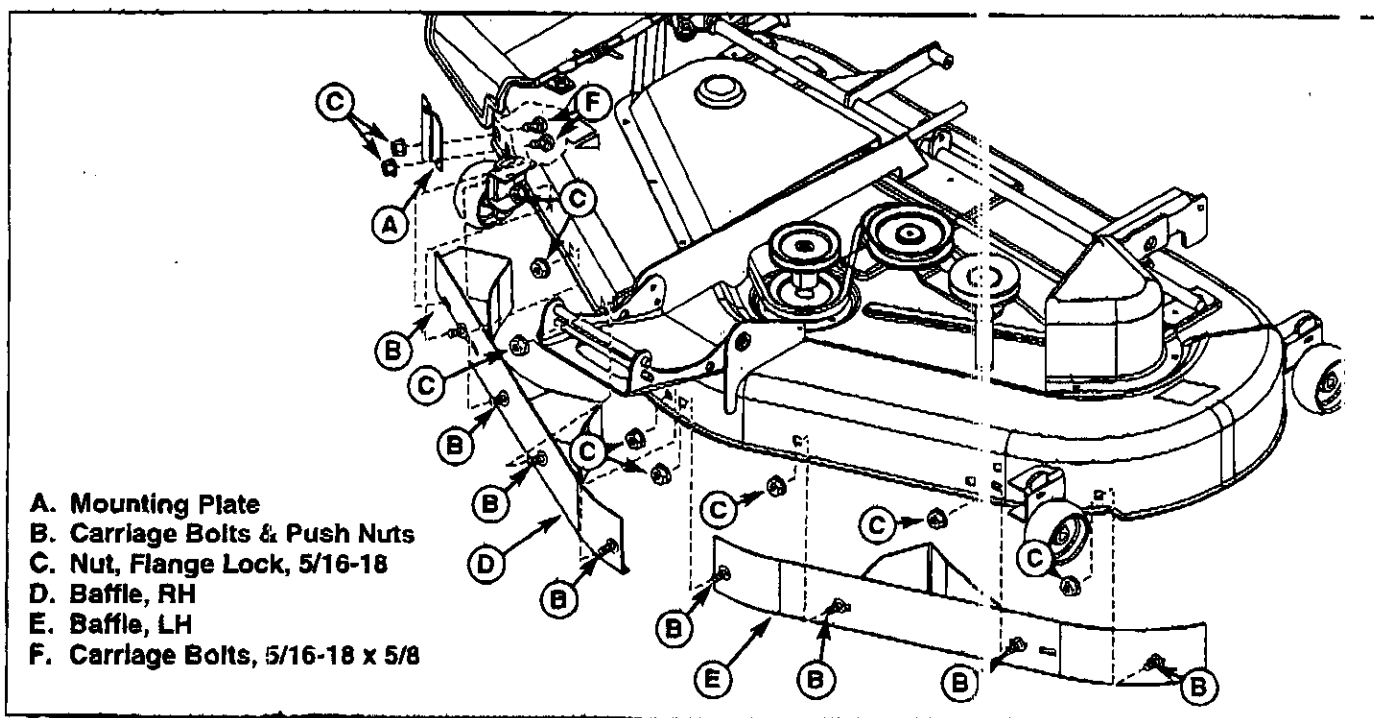


Figure 4. Baffle Installation

6. Install RH baffle (D) secure with carriage bolts & push nuts (B) and nuts (C).

Note: The carriage bolt & push nuts are combined to hold carriage bolt in place and aid in ease of installation.

7. Install mounting plate (A, Figure 4) to mower deck securing with 5/16-18 x 5/8 carriage bolts (F) nuts .
8. Install LH baffle (E) secure with carriage bolts & push nuts (B) and nuts (C).
9. Install the mower deck. Refer to the Operator's Manual (see Mower Deck Removal & Installation)
10. Lift discharge deflector up (D, Figure 5).
11. Insert mulch baffle assembly (A) into mounting plate (B).
12. Pull rubber strap (E) and secure by placing strap completely over locknut (C).

Note: The new RH mulching blade DOES NOT need to be removed or changed for side discharge. For use with a bagger the mulching/side discharge blade will need to be replaced with a bagging blade.

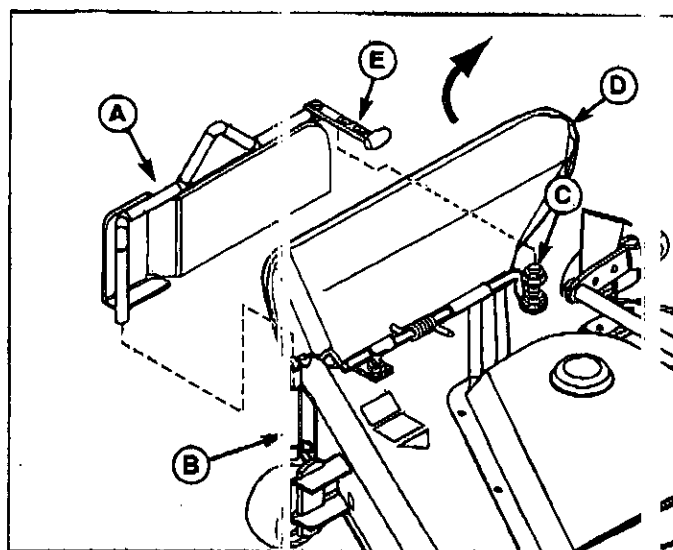


Figure 5. Mulch Cover Installation

- A. Baffle Assembly
- B. Mounting Plate
- C. Locknut
- D. Discharge Deflector
- E. Rubber Strap

Sears, Roebuck and Co., Hoffman Estates, IL 60179 U.S.A.

Visit our Craftsman website: www.sears.com/craftsman

TP 200-4076-02/-C

172693-02

© Registered Trademark / TM Trademark / SM Service Mark of Sears, Roebuck and Co

© Sears, Roebuck and Co.