

30" ELECTRIC RANGE INSTALLATION INSTRUCTIONS

(For 3 or 4 Wire, 60 Hz. Systems)

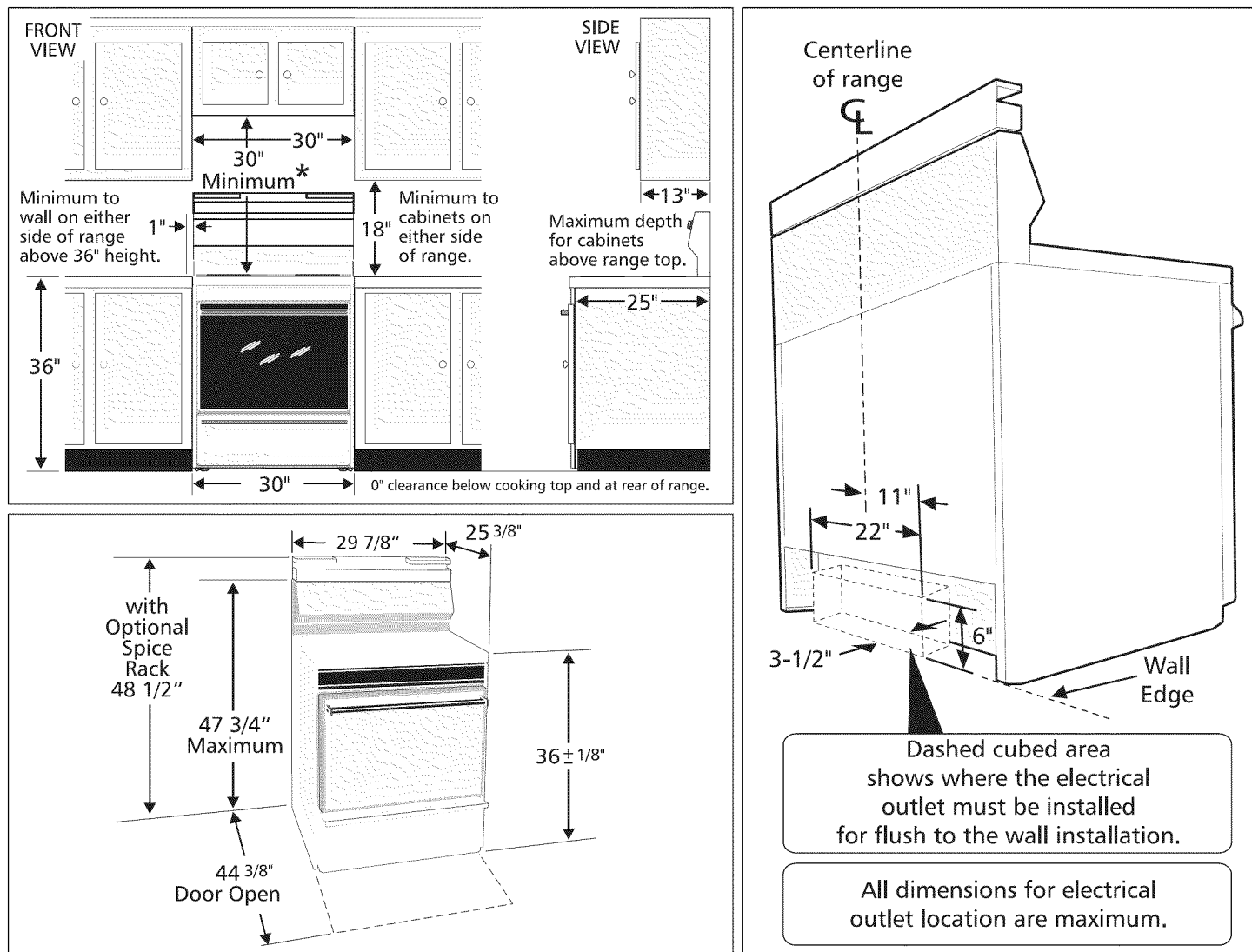
INSTALLATION AND SERVICE MUST BE PERFORMED BY A QUALIFIED INSTALLER.

IMPORTANT: SAVE FOR LOCAL ELECTRICAL INSPECTOR'S USE.

READ AND SAVE THESE INSTRUCTIONS FOR FUTURE REFERENCE.

Clearances and Dimensions

1. Provide adequate clearances between the range and adjacent combustible surfaces.
2. Location—Check location where the range will be installed. Check for proper electrical supply, and the stability of the floor.
3. Dimensions that are shown must be used. Given dimensions provide minimum clearance. Contact surface must be solid and level.



*30" MINIMUM CLEARANCE BETWEEN THE TOP OF THE COOKING SURFACE AND THE BOTTOM OF AN UNPROTECTED WOOD OR METAL CABINET; OR 24" MINIMUM WHEN BOTTOM OF WOOD OR METAL CABINET IS PROTECTED BY NOT LESS THAN 1/4" FLAME RETARDANT MILLBOARD COVERED WITH NOT LESS THAN NO. 28 MSG SHEET STEEL, 0.015" STAINLESS STEEL, 0.024" ALUMINUM OR 0.020" COPPER. 0" CLEARANCE IS THE MINIMUM FOR THE REAR OF THE RANGE. FOLLOW ALL DIMENSION REQUIREMENTS PROVIDED ABOVE TO PREVENT PROPERTY DAMAGE, POTENTIAL FIRE HAZARD, AND INCORRECT COUNTERTOP AND CABINET CUTS.

TO ELIMINATE THE RISK OF BURNS OR FIRE BY REACHING OVER HEATED SURFACE UNITS, CABINET STORAGE SPACE LOCATED ABOVE THE SURFACE UNITS SHOULD BE AVOIDED. IF CABINET STORAGE IS TO BE PROVIDED, THE RISK CAN BE REDUCED BY INSTALLING A RANGE HOOD THAT PROJECTS HORIZONTALLY A MINIMUM OF 5" BEYOND THE BOTTOM OF THE CABINETS.

30" ELECTRIC RANGE INSTALLATION INSTRUCTIONS

(For 3 or 4 Wire, 60 Hz. Systems)

IMPORTANT SAFETY INSTRUCTIONS

⚠ WARNING If the information in this manual is not followed exactly, a fire or electrical shock may result causing property damage, personal injury or death.



Important Notes to the Installer

1. Read all instructions contained in these installation instructions before installing range.
2. Remove all packing material from the oven compartments before connecting the gas and electrical supply to the range.
3. Observe all governing codes and ordinances.
4. Be sure to leave these instructions with the consumer.

Important Note to the Consumer



Keep these instructions with your owner's guide for future reference.

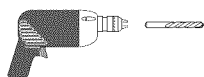
- As when using any appliance generating heat, there are certain safety precautions you should follow. You will find them in the Owner's Guide, read it carefully.
- Be sure your range is installed and grounded properly by a qualified installer or service technician.
- Make sure the wall coverings around the range can withstand the heat generated by the range.
- To eliminate the need to reach over the surface burners, cabinet storage space above the burners should be avoided.

Before Starting


Tools You Will Need

For leveling legs and Anti-Tip Bracket:


- Adjustable wrench or channel lock pliers 
- 5/16" Nutdriver or Flat Head Screwdriver 
- Electric Drill & 1/8" Diameter Drill Bit (Masonry Drill Bit if installing in concrete)



For electrical supply connection:

- 1/4" & 3/8" Socket driver or Nutdriver 

Additional Materials You Will Need

- Power Supply Cord or 
- Copper Electrical Wiring & Metal Conduit (for hard wiring)

Normal Installation Steps

1. Anti-Tip Bracket Installation Instructions

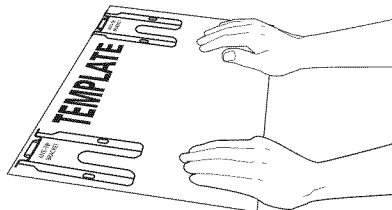
Important Safety Warning

To reduce the risk of tipping of the range, the range must be secured to the floor by properly installed anti-tip bracket and screws packed with the range. Failure to install the anti-tip bracket will allow the range to tip over if excessive weight is placed on an open door or if a child climbs upon it. Serious injury might result from spilled hot liquids or from the range itself.

If range is ever moved to a different location, the anti-tip brackets must also be moved and installed with the range.

Instructions are provided for installation in wood or cement fastened to either the floor or wall. When installed to the wall, make sure that screws completely penetrate dry wall and are secured in wood or metal. When fastening to the floor or wall, be sure that screws do not penetrate electrical wiring or plumbing.

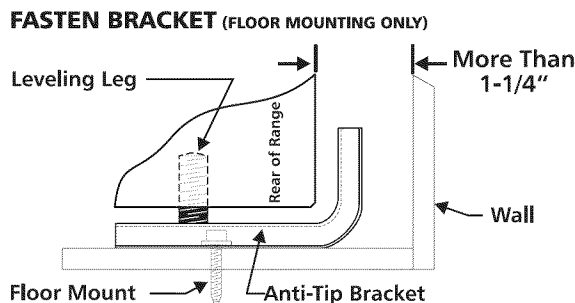
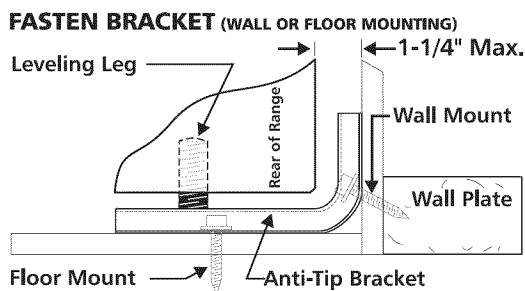
- A. Locate the Bracket Using the Template** - (Bracket may be located on either the left or right side of the range. Use the information below to locate the bracket if template is not available). Mark the floor or wall where left or right side of the range will be located. If rear of range is against the wall or no further than 1-1/4" from wall when installed, you may use the wall or floor mount method. If molding is installed and does not allow the bracket to fit flush against the wall, remove molding or mount bracket to the floor. For wall mount, locate the bracket by placing the back edge of the template against the rear wall and the side edge of template on the mark made referencing the side of the range. Place bracket on top of template and mark location of the screw holes in wall. If rear of range is further than 1-1/4" from the wall when installed, attach bracket to the floor. For floor mount, locate the bracket by placing back edge of the template where the rear of the range will be located. Mark the location of the screw holes, shown in template.



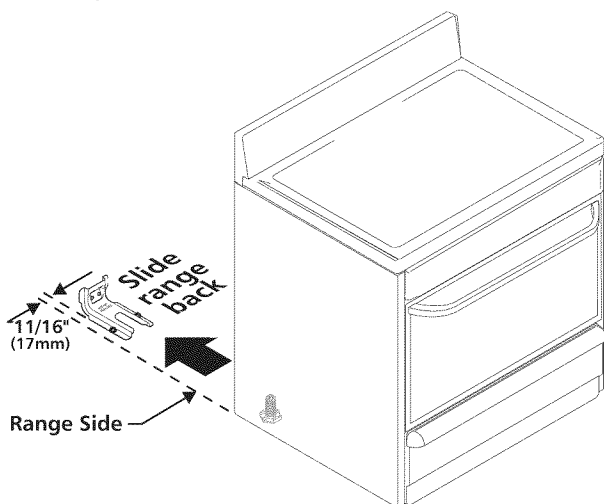
30" ELECTRIC RANGE INSTALLATION INSTRUCTIONS

(For 3 or 4 Wire, 60 Hz. Systems)

- B. Drill Pilot Holes and Fasten Bracket** - Drill a 1/8" pilot hole where screws are to be located. If bracket is to be mounted to the wall, drill pilot hole at an approximate 20° downward angle. If bracket is to be mounted to masonry or ceramic floors, drill a 5/32" pilot hole 1-3/4" deep. The screws provided may be used in wood or concrete material. Use a 5/16" nut-driver or flat head screwdriver to secure the bracket in place.



- C. Level and Position Range** - Level range by adjusting the (4) leveling legs with a wrench. Note: A minimum clearance of 1/8" is required between the bottom of the range and the leveling leg to allow room for the bracket. Use a spirit level to check your adjustments. Slide range back into position. Visually check that rear leveling leg is inserted into and fully secured by the Anti-Tip Bracket by removing lower panel or storage drawer. For models with a warmer drawer or broiler compartment, grasp the top rear edge of the range and carefully attempt to tilt it forward.



2. Serial Plate Information

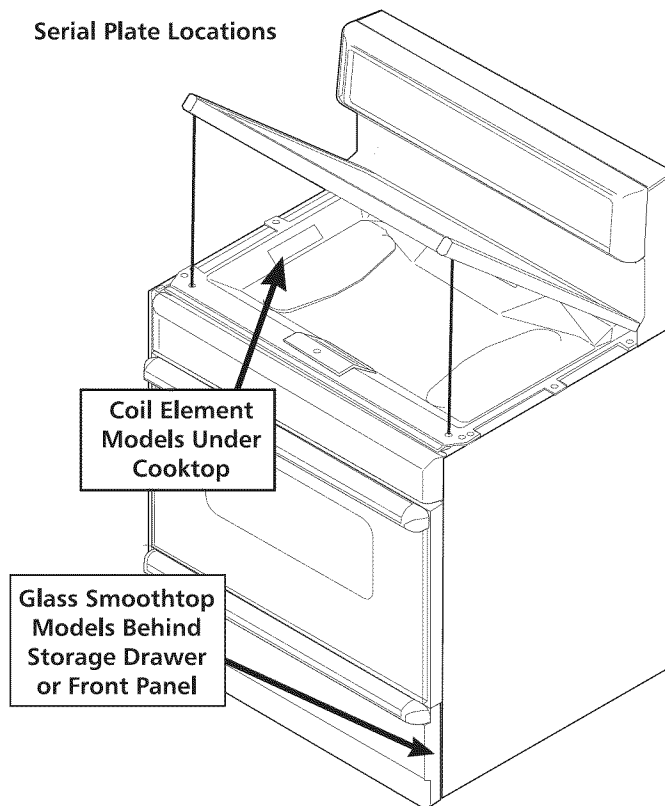
See the serial plate for the following information:

1. Model, lot and serial number of the range.
2. Kilowatt rating (power requirements).
3. Voltage ratings.

Serial plate locations are shown below.

When inquiring about your range, be sure to include the model, brand, product type, approximate date of purchase and serial number along with your inquiry.

Serial Plate Locations



3. Electrical Connection Requirements

This appliance must be properly installed and grounded by a qualified technician in accordance with the National Electrical Code ANSI/NFPA No. 70--latest edition--and local electrical code requirements.

This appliance may be connected by means of permanent "Hard Wiring" or "Power Supply Cord Kit."

When hard wiring, do not leave excess wire in range compartment. Excess wire in the range compartment may not allow the access cover to be replaced properly, and could create a potential electrical hazard if wires become pinched. Connect only as instructed under "WIRING INSTRUCTIONS" in section 6. When using flexible conduit or range cable use flex connector or range cable strain relief.

NOTE: Only use copper wire in connection to terminal block.

30" ELECTRIC RANGE INSTALLATION INSTRUCTIONS

(For 3 or 4 Wire, 60 Hz. Systems)

3A. Models with Factory Connected Power Supply Cord

NOTE: Some models may be equipped with a factory connected three (3) conductor power supply cord.

Mobile home installation or areas where local codes do not permit grounding through neutral, a four (4) conductor power supply cord kit rated at 125/250 volts minimum, and marked for use with ranges shall be used. See Range Connection Opening Size Chart for cord kit ampere rating information. Terminals on end of wires must be either closed loop or open-end spade lugs with upturned ends.

3B. Models Requiring Power Supply Cord Kit

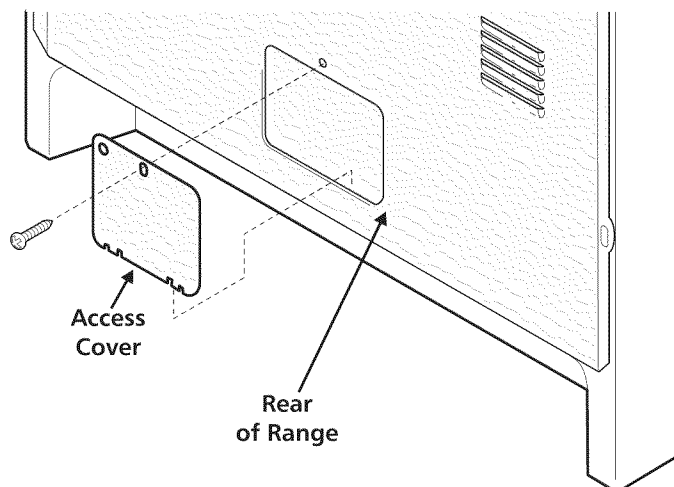
RISK OF FIRE OR ELECTRICAL SHOCK MAY OCCUR IF AN INCORRECT SIZE RANGE CORD KIT IS USED, THE INSTALLATION INSTRUCTIONS ARE NOT FOLLOWED OR STRAIN RELIEF BRACKET IS DISCARDED.

This appliance may be connected by means of a power supply cord. Only a power supply cord kit rated at 125/250 volts minimum, and marked for use with ranges shall be used. See chart on page 3 for cord kit ampere rating information. Cord must have either three (3) or four (4) conductors. Terminals on end of wires must be either closed loop or open-end spade lugs with upturned ends. Cord must have strain relief clamp.

See section 5A for 3-wire or section 5B for 4-wire connection.

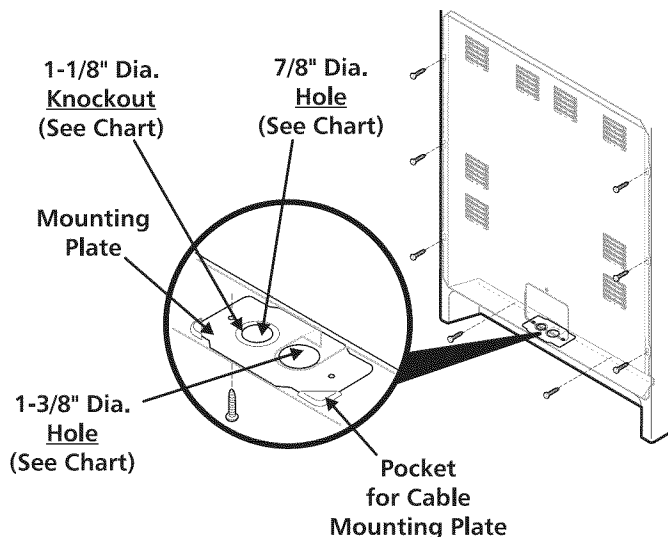
4. Electrical Connection to Range

The rear access cover must be removed. To remove, loosen center screw (one screw) and remove access cover. The terminal block will then be accessible.



Range Connection Opening Size Chart			
Refer to chart below for proper range connection opening size and power supply cord kit ampere rating information. See serial plate on range for kilowatt rating data.			
See Serial Plate on Range for KW Rating	Cord Kit Ampere Rating	Diameter (inches) of Range connection Opening	
120/240 Volts 120/208 Volts		Cord Kit Permanent Wiring	
0-8.7 KW 8.8-16.5 KW 16.6-22.5 KW	0-7.8 KW 7.9-12.5 KW 12.6-18.5 KW	30 Amp 40 Amp 50 Amp	1-1/8 in. 7/8 in. 1-3/8 in. 1-3/8 in.

NOTE: Range is shipped from factory with 1-3/8" dia. hole as shown. To use either 7/8" dia. hole or 1-1/8" dia. knockouts:



If a different diameter hole is required, please follow the steps below:

1. Using a 1/4" socket driver, remove eight (8) screws from Rear Wall Shield to release from the unit (as shown). Save the screws for step #7 below.
2. Again using the 1/4" socket driver, remove one (1) blunt point screw used to secure the Cable Mounting Plate to the Rear Wall Shield. Save the screws for step #6.
3. Remove the Cable Mounting Plate from the Rear Wall Shield by sliding the plate out of the pockets.
4. If a 1-1/8" dia. hole is required, "punch-out" the knockout.
5. Rotate the plate 180 degrees so that the desired hole is placed on top of the opening located on the bottom flange of the Rear Wall Shield.
6. Slide the Cable Mounting Plate into the Rear Wall Shield. Re-secure using the blunt point screw removed from step #2 above.
7. Reassemble the Rear Wall Shield to the unit using eight (8) screws removed from step #1 above.

30" ELECTRIC RANGE INSTALLATION INSTRUCTIONS

(For 3 or 4 Wire, 60 Hz. Systems)

5A. 3-Wire Connection

1. Remove the three (3) loose nuts on the terminal block using a 3/8" nut driver or socket.

NOTE: Do not loosen the nuts which secure the factory installed range wiring to the terminal block. Electrical failure or loss of electrical connection may occur if nuts are loosened.

2. Using the nuts removed in step 1, connect the cable or copper power supply cord to the three (3) studs on the terminal block, as local codes require. The neutral (white) wire or center wire must be connected to the center terminal.
3. Make sure all nuts are tightened securely.
4. Replace the rear access cover.

GROUNDING INSTRUCTIONS:

A ground link is installed on this range which connects the center terminal of the terminal block (neutral) to the chassis. The ground link is not visible in the picture below but is connected to the range by the center, lowest screw (shown in picture below). The ground link must not be removed unless national or local codes do not permit use of ground link.

NOTE: If the ground link is removed for any reason, a separate ground wire must be connected to the separate ground screw attached to the range chassis and to an adequate ground source.

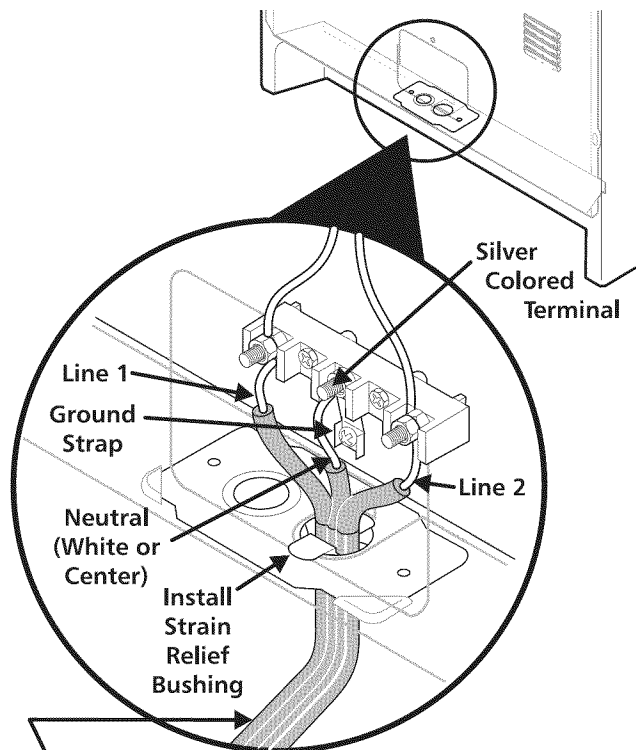
5B. 4-Wire Connection

If connecting to a 4-wire electrical system (mobile home required):

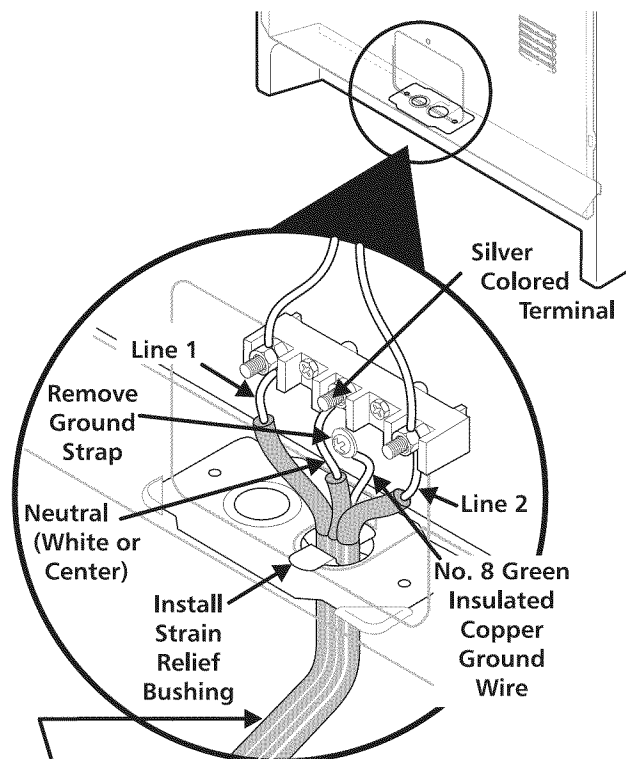
1. Remove the three (3) loose nuts on the terminal block using a 3/8" nut driver or socket. From the center stud on the terminal block, remove the second nut and the copper ground strap. Replace the nut that held the ground strap to the terminal block.

NOTE: Do not loosen the second nut on line 1 or line 2 which secure the factory installed range wiring to the terminal block. Electrical failure or loss of electrical connection may occur if nuts are loosened.

2. Remove the ground screw to release the copper ground strap from the appliance.
3. Discard the ground strap. Connect the ground wire (green) of the copper power supply cord to the frame of the appliance with the ground screw, using the same hole in the frame where the ground strap was removed.
4. Using the nuts removed in step 1, connect the neutral (white) wire of the copper power supply cord to the center silver colored stud on the terminal block.
5. Connect the final two (2) wires to the outer studs on the terminal block.
6. Make sure all nuts are tightened securely.
7. Replace the rear access cover.



3-Wire Copper Power Supply Cord (40 Amperes).
To Fused Disconnect Box or Approved
Wiring Device for Copper Supply Cord.



4-Wire Copper Power Supply Cord (40 Amperes).
To Fused Disconnect Box or Approved
Wiring Device for Copper Supply Cord.

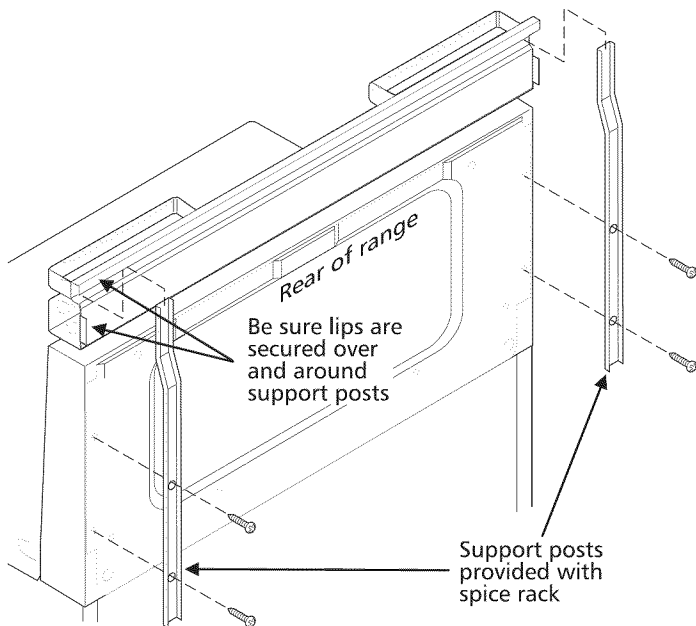
30" ELECTRIC RANGE INSTALLATION INSTRUCTIONS

(For 3 or 4 Wire, 60 Hz. Systems)

Optional Spice Rack

Some models are equipped with an optional spice rack. Follow the instructions below for installation:

- Using a 1/4" nutdriver or Phillips screwdriver, remove four (4) screws from rear of range as shown in diagram below.
- Using these four (4) screws, attach two (2) support posts (provided) to rear of range.
- Set rack on support posts and make sure rear end flanges are around support posts as shown.



INSTRUCCIONES DE INSTALACION PARA LA ESTUFA ELECTRICA DE 30"

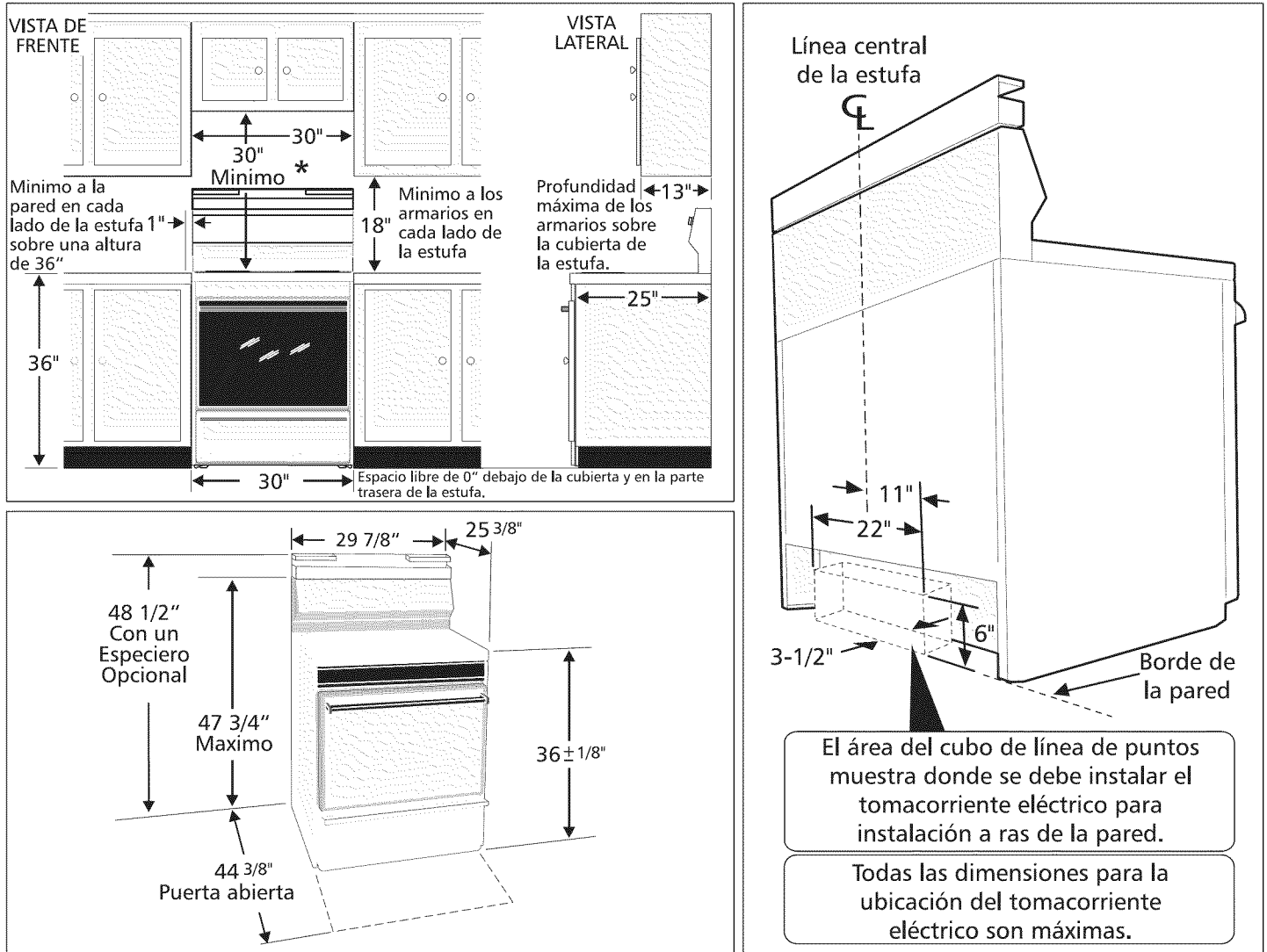
(Para sistemas de 60 Hz de 3 o 4 alambres)

LA INSTALACION Y EL SERVICIO DEBEN SER EFECTUADOS POR UN TECNICO CALIFICADO. IMPORTANTE: CONSERVE ESTAS INSTRUCCIONES PARA USO DEL INSPECTOR LOCAL DE ELECTRICIDAD.

LEA Y CONSERVE ESTAS INSTRUCCIONES PARA REFERENCIA FUTURA.

1. Espacios Libres y Dimensiones

- Provea espacios libres adecuados entre la estufa y las superficies combustibles adyacentes.
- Ubicación - Revise el lugar donde será instalada la estufa. Verifique el suministro de energía eléctrica y la estabilidad del piso.
- Es esencial que se usen las dimensiones que se muestran. Las dimensiones indicadas proveen los espacios libres mínimos. La superficie de contacto debe ser firme y nivelada.



* 30" ESPACIO LIBRE MINIMO ENTRE LA CUBIERTA DE COCINAR DE LA ESTUFA Y LA PARTE INFERIOR DE UN ARMARIO DE METAL O DE MADERA NO PROTEGIDA; O 24" MINIMO CUANDO LA PARTE INFERIOR DE UN ARMARIO DE METAL O DE MADERA ESTA PROTEGIDA CON CARTON RETARDANTE A LAS LLAMAS DE NO MENOS DE 1/4" CUBIERTO CON CHAPA DE ACERO NO INFERIOR AL # 28 MSG, ACERO INOXIDABLE DE 0,015", ALUMINIO DE 0,024 O COBRE DE 0,020". EL ESPACIO LIBRE DE 0" ES EL MINIMO PARA LA PARTE TRASERA DE LA ESTUFA. SIGA TODAS LAS DIMENSIONES INDICADAS ANTERIORMENTE PARA EVITAR DAÑOS MATERIALES, RIESGOS DE INCENDIO Y CORTES INCORRECTOS DE LOS ARMARIOS Y DE LAS MESADAS.

PARA ELIMINAR EL RIESGO DE QUEMADURAS E INCENDIOS AL TOCAR SUPERFICIES SOBRECALENTADAS, SE DEBE EVITAR COLOCAR ESPACIO PARA ARMARIOS DE ALMACENAMIENTO SOBRE LAS ESTUFAS CON ELEMENTOS AL DESCUBIERTO. SI SE INSTALAN ARMARIOS SOBRE LA ESTUFA, SE PUEDEN REDUCIR TALES RIESGOS INSTALANDO UNA CAMPANA PURIFICADORA QUE SE PROYECTA HORIZONTALMENTE UN MINIMO DE 5" MAS AFUERA DE LA PARTE INFERIOR DE LOS ARMARIOS.

INSTRUCCIONES DE INSTALACION PARA LA ESTUFA ELECTRICA DE 30"

(Para sistemas de 60 Hz de 3 o 4 alambres)

IMPORTANTES INSTRUCCIONES DE SEGURIDAD

⚠ ADVERTENCIA Si no se sigue exactamente la información que aparece en este manual, puede provocarse un incendio o choque eléctrico, con lo que resultarían daños a la propiedad, lesiones personales o muerte.

	⚠ ADVERTENCIA <ul style="list-style-type: none">• TODAS LAS ESTUFAS PUEDEN VOLCARSE.• ESTO PODRIA RESULTAR EN LESIONES PERSONALES.• INSTALE EL DISPOSITIVO ANTIVUELCOS QUE SE HA EMPACADO JUNTO CON ESTA ESTUFA.
	

Notas importantes para el instalador

1. Lea todas las instrucciones contenidas en este manual antes de instalar la estufa.
2. Saque todo el material usado en el embalaje del compartimiento del horno antes de conectar el suministro eléctrico a la estufa.
3. Observe todos los códigos y reglamentos pertinentes.
4. Deje estas instrucciones con el comprador.

Nota importante para el consumidor


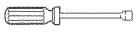
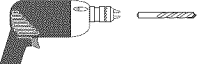
Conserve estas instrucciones y el Manual del Usuario para referencia futura.

- Cuando se usa cualquier aparato que genere calor, existen ciertas precauciones de seguridad que Ud. necesita seguir. Las encontrará en el Manual del Usuario; léa con mucha atención.
- Asegúrese de que la estufa sea instalada y conectada a tierra en forma apropiada por un instalador calificado o por un técnico.
- Asegúrese de que el material que recubre las paredes alrededor de la estufa, pueda resistir el calor generado por la estufa.
- Para eliminar la necesidad de extender el brazo por encima de las hornillas, no se deben instalar armarios arriba de las hornillas.

Antes de Comenzar

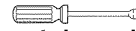
Herramientas necesarias

Para las patas niveladoras y soportes antivuelco:

- Llave ajustable o pinzas ajustables 
- Llave para tuercas de 5/16" o destornillador para tornillos de cabeza plana 
- Taladro eléctrico y broca de 1/8" de diámetro (Broca de albañilería si está instalando en hormigón) 

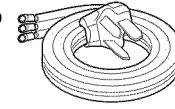
Para la conexión del suministro eléctrico:

- Llave de boca tubular o llave para tuercas de 1/4" y 3/8"



Materiales adicionales necesarios

- Cordón eléctrico o



- Alambre eléctrico de cobre y conducto metálico (para alambrado permanente)

Pasos de la Instalación Normal

1. Instrucciones para la instalación del soporte antivuelco

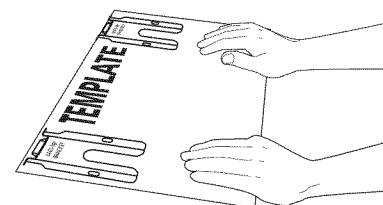
Advertencia de Seguridad Importante

A fin de reducir el riesgo de que la estufa se vuelque, ésta debe ser asegurada al piso mediante la instalación adecuada de un soporte antivuelco usando los tornillos incluidos con la estufa. Si no se instala el soporte antivuelco la estufa puede volcarse si se coloca peso excesivo en una puerta abierta o si un niño se sube a ella. Se puede producir una lesión grave a causa del derrame de líquidos calientes o de la estufa misma si se vuelca.

Si la estufa es cambiada a otro lugar, los soportes antivuelco pueden también ser cambiados e instalados con la estufa.

Las instrucciones son para instalación en madera o cemento y anclaje al piso o a la pared. Cuando se instala en la pared, asegúrese de que los tornillos penetren completamente el muro seco y que estén asegurados en madera o metal. Cuando se asegura al piso o a la pared, asegúrese de que los tornillos no toquen ningún alambrado eléctrico o tuberías.

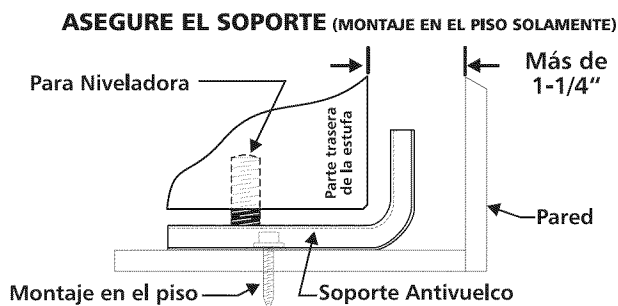
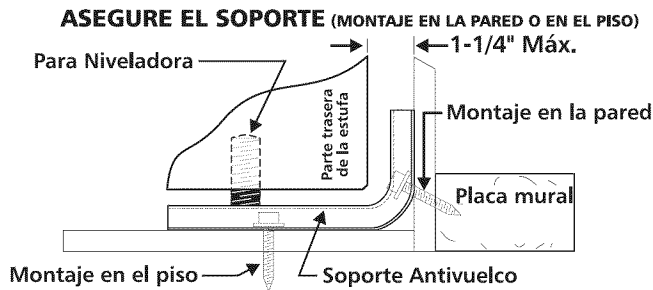
- A. Ubique el soporte usando la plantilla** - (el soporte puede encontrarse en el lado derecho o izquierdo de la estufa. Utilice el diagrama siguiente para ubicar el soporte si la plantilla no está disponible.) Marque en el piso o en la pared donde quedará ubicado el borde derecho o izquierdo de la estufa. Si la parte trasera de la estufa está contra la pared o no está a más de 1-1/4" de la pared, usted puede usar el método de montaje en el piso o en la pared. Si tiene moldura instalada que no permite que el soporte quede a ras contra la pared, retire la moldura o instale el soporte en el piso. Para instalación en la pared, ubique el soporte colocando el borde trasero de la plantilla contra la pared trasera y el borde lateral de la plantilla en la marca hecha que muestra el lado de la estufa. Coloque el soporte arriba de la plantilla y marque la ubicación de los agujeros de los tornillos en la pared. Si la parte trasera de la estufa ya instalada está a más de 1 -1/4" de la pared, instale el soporte en el piso. Para montaje en el piso, ubique el soporte colocando el borde trasero de la plantilla donde quedará ubicada la parte trasera de la estufa. Marque la ubicación de los agujeros de los tornillos, mostrados en la plantilla.



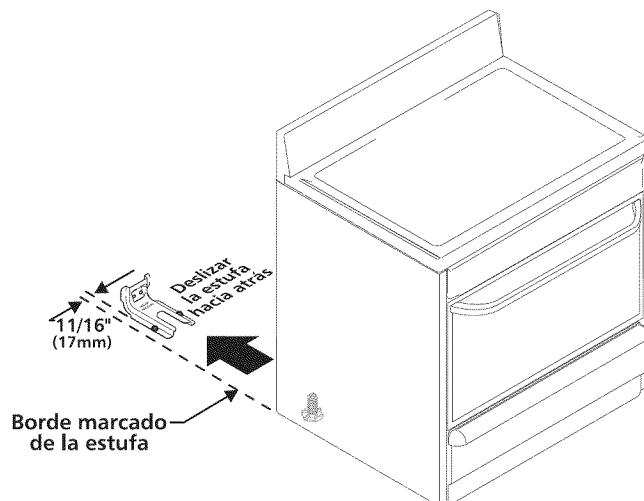
INSTRUCCIONES DE INSTALACION PARA LA ESTUFA ELECTRICA DE 30"

(Para sistemas de 60 Hz de 3 o 4 alambres)

- B. Taladre agujeros pilotos e instale el soporte** - Taladre un agujero piloto de 1/8" donde se van a instalar los tornillos. Si el soporte va a ser instalado en la pared, taladre el agujero piloto a un ángulo descendente de aproximadamente 20°. Si el soporte va a ser instalado en pisos de albañilería o cerámica, taladre un agujero piloto de 5/32" de 1-3/4" de profundidad. Los tornillos provistos pueden ser usados en pisos de madera o concreto. Use una llave para tuercas de 5/16" o un destornillador de hoja plana para asegurar el soporte en su lugar.



- C. Nivele y posicione la estufa** - Nivele la estufa ajustando las cuatro (4) patas niveladoras con una llave. Nota: Se debe dejar un espacio libre de por lo menos 1/8" entre la parte inferior de la estufa y la pata niveladora a fin de que quede espacio para el soporte. Use un nivel de burbuja para verificar los ajustes. Deslice la estufa de nuevo a su lugar. Verifique visualmente si la pata niveladora trasera está bien insertada y asegurada en el soporte antivuelco, retirando el panel inferior o el cajón de almacenamiento. Para los modelos con un compartimiento calefactor o compartimiento de asador, sujete la estufa desde el borde superior trasero y trate de inclinarla hacia adelante cuidadosamente.



2. Información en la placa de serie

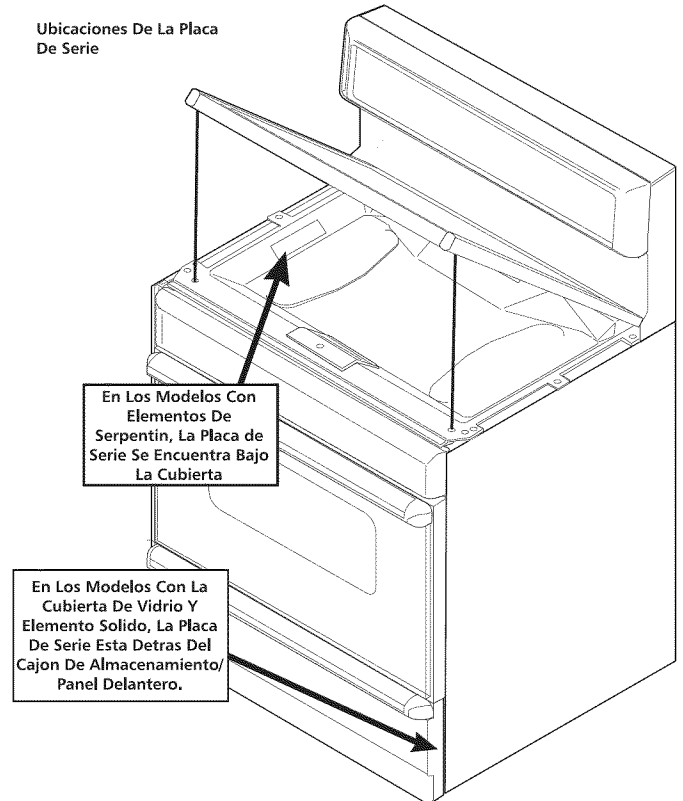
Ver en la placa de serie la siguiente información:

1. Número de modelo, de lote y de serie de la estufa.
2. Potencia nominal en kilovatios (requerimientos de energía).
3. Voltaje nominal.

A continuación se indican los lugares donde puede estar ubicada la placa de serie.

Cuando tenga alguna consulta acerca de su estufa, asegúrese de indicar el número de modelo, la marca, el tipo de producto, la fecha aproximada de compra y el número de serie.

Ubicaciones De La Placa De Serie



3. Requerimientos para la conexión eléctrica

Este artefacto debe ser debidamente instalado y puesto a tierra por un técnico calificado de acuerdo con la norma ANSI/NFPA No. 70 del Código Eléctrico Nacional - última edición - y con los requerimientos del código eléctrico local.

Este artefacto puede ser conectado mediante "cableado rígido" permanente o un "Juego de Cordón Eléctrico".

Cuando se utilice cableado rígido, no deje exceso de alambre en el compartimiento de la estufa. El exceso de alambre en el compartimiento de la estufa puede evitar que la cubierta de acceso sea colocada debidamente y puede crear riesgos eléctricos potenciales si los alambres quedan aplastados. Conecte solamente como se indica en la sección 6 bajo "INSTRUCCIONES PARA EL CABLEADO". Cuando use conductos flexibles o cable de estufa use un conector flexible o un anclaje para el cable de la estufa.

NOTA: Use solamente alambre de cobre en la conexión al tablero de bornes.

INSTRUCCIONES DE INSTALACION PARA LA ESTUFA ELECTRICA DE 30"

(Para sistemas de 60 Hz de 3 o 4 alambres)

3A. Modelos con el cordón eléctrico conectado en la fábrica

NOTA: Algunos modelos vienen equipados con cordón eléctrico de tres (3) conductores conectado en la fábrica.

La instalación en casas móviles o áreas donde los códigos locales no permiten puesta a tierra a través del conductor neutro, se debe usar un juego de cordón eléctrico de cuatro (4) conductores para 125/250 voltios mínimo y marcado para uso con estufas. Consulte la Tabla de tamaño de la abertura de conexión de la estufa para la información sobre los amperes del juego de cordón. Los bornes en los extremos de los alambres deben ser de anillo cerrado u horquillas abiertas con extremos dirigidos hacia arriba.

3B. Modelos que requieren el juego de cordón eléctrico

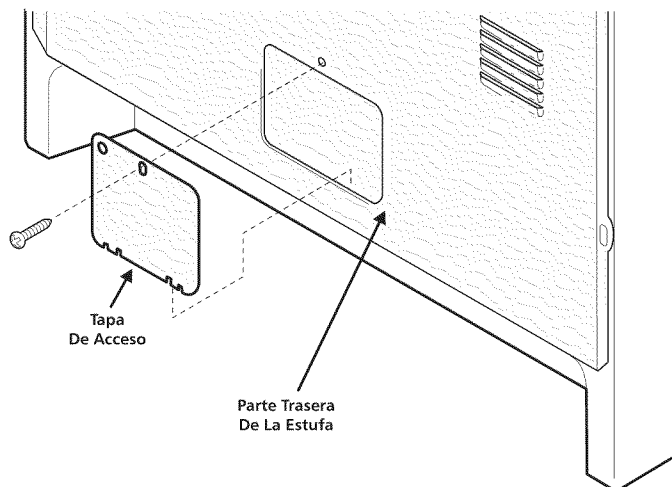
PUEDA OCURRIR RIESGO DE INCENDIO O CHOQUE ELECTRICO SI SE USA UN JUEGO DE CORDON DE ESTUFA DE TAMAÑO INCORRECTO, SI LAS INSTRUCCIONES DE INSTALACION NO SON SEGUIDAS O SI NO SE USA EL ANCLAJE DEL CABLE.

Este artefacto puede ser conectado mediante un cordón eléctrico. Se usará solamente un juego de cordón eléctrico para 125/250 voltios como mínimo y marcado para uso con estufas. Consulte la tabla para la información sobre los amperes del juego de cordón. El cordón debe tener tres (3) o cuatro (4) conductores. Los bornes en los extremos de los alambres deben ser de anillo cerrado o de horquillas abiertas con extremos dirigidos hacia arriba. El cordón debe tener una grapa de anclaje.

VEA SECCION 5A PARA CONEXION DE 3 ALAMBRES OR SECCION 5B PARA CONEXION DE 4 ALAMBRES

4. Conexión eléctrica a la estufa

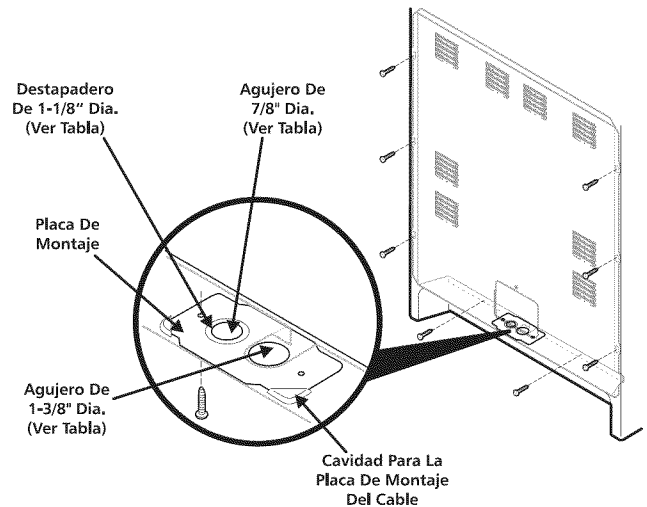
Se debe sacar la tapa de acceso trasera. Para sacar afloje el tornillo central (un tornillo) y saque la tapa de acceso. El tablero de bornes quedará entonces accesible.



NOTA: La estufa es embarcada de la fábrica con un agujero de 1-3/8" de diámetro como se muestra. Para usar ya sea el agujero de 7/8" de diámetro o los destapaderos de 1-1/8" de diámetro:

Tabla de tamaño de la abertura de conexión de la estufa

Consulte la tabla siguiente para el tamaño correcto de la abertura de conexión de la estufa y para la información sobre el amperaje del juego de cordón eléctrico. Ver la placa de serie en la estufa para la información sobre los kilovatios.			
Ver placa de serie en la estufa para la información sobre los KW		Amperaje del Juego de Cordón	Diámetro (pulgadas) de la Abertura de Conexión de la Estufa
120/240 Voltios	120/208 Voltios		
0-8,7 KW	0-7,8 KW	30 Amp.	1-1/8 pulg. 7/8 pulg.
8,8-16,5 KW	7,9-12,5 KW	40 Amp.	1-3/8 pulg. 1-1/8 pulg.
16,6-22,5 KW	12,6-18,5 KW	50 Amp.	1-3/8 pulg. 1-3/8 pulg.



Si se requiere un agujero de un diámetro diferente, se ruega seguir los pasos siguientes:

1. Usando una llave de tuercas de 1/4", saque los ocho (8) tornillos del protector trasero para sacarlo del artefacto (como se muestra). Guarde los tornillos para usarlos en el paso #7.
2. Nuevamente usando la llave de tuercas de 1/4", saque un (1) tornillo de punta roma usado para asegurar la placa de montaje del cable al protector trasero. Guarde los tornillos para usarlos en el paso #6.
3. Saque la placa de montaje del cable del protector trasero deslizando la placa fuera de la cavidad.
4. Si se requiere un agujero de 1-1/8" de diámetro, abra el destapadero.
5. Gire la placa 180 grados de modo que el agujero deseado quede colocado sobre la abertura situada en la brida inferior del protector trasero.
6. Deslice la placa de montaje del cable instalándola en el protector trasero. Vuelva a asegurarla con el tornillo de punta roma que sacó en el paso #2 anterior.
7. Vuelva a instalar el protector trasero en el artefacto usando los ocho (8) tornillos que fueron sacados en el paso #1 anterior.

INSTRUCCIONES DE INSTALACION PARA LA ESTUFA ELECTRICA DE 30"

(Para sistemas de 60 Hz de 3 o 4 alambres)

5A. Conexión de 3 Alambres

1. Saque las tres (3) tuercas sueltas del tablero de bornes usando una llave de tuercas de 3/8".

NOTA: No afloje las tuercas que sujetan el cableado de la estufa instalado en la fábrica al tablero de bornes cuando conecte la estufa. Puede ocurrir falla eléctrica o pérdida eléctrica o pérdida de conexión eléctrica si estas tuercas son aflojadas.

2. Usando las tuercas que se quitaron en el paso 1, conecte el cable o el cable eléctrico de cobre para suministro de energía a las tres (3) clavijas del tablero de bornes, como lo requiere el código local. El alambre neutral (blanco) o el alambre del centro deben estar conectados al terminal central.
3. Asegúrese de que todas las tuercas estén seguramente apretadas.
4. Reponga la tapa de acceso trasero.

INSTRUCCIONES PARA LA PUESTA A TIERRA:

Un puente de conexión de puesta a tierra ha sido instalado en esta estufa que conecta el borne central del tablero de bornes (neutro) al chasis. El puente de conexión de puesta a tierra no es visible en el dibujo que se incluye más abajo, pero está conectado a la estufa mediante el tornillo central más inferior (mostrado en la figura abajo). El puente de conexión de puesta a tierra no debe ser sacado a menos que el código local o nacional no permitan el uso de un puente de conexión de puesta a tierra.

NOTA: Si el puente de conexión de puesta a tierra es sacado por cualquier razón, se debe conectar un alambre de puesta a tierra separado situado en el chasis de la estufa y a una tierra adecuada.

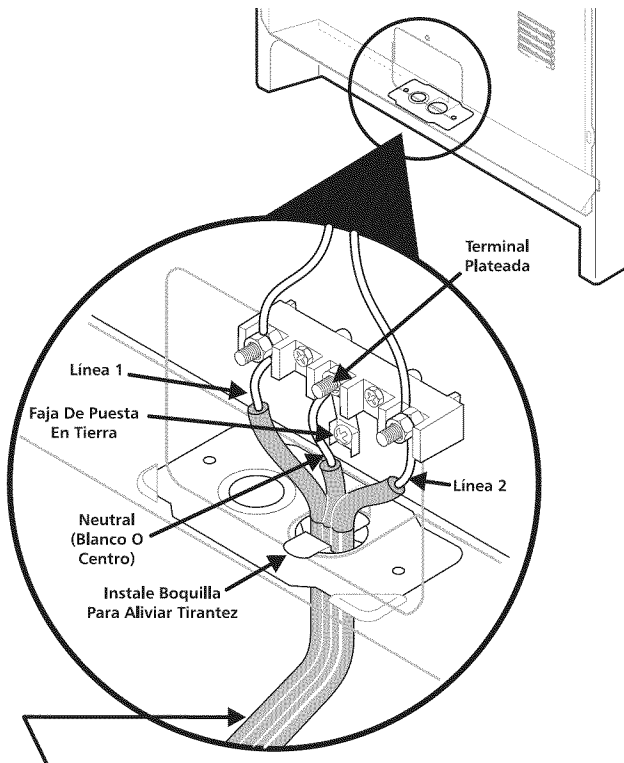
5B. Conexión tetrafililar

Si se conecta a un sistema tetrafililar (requerido para casas rodantes)

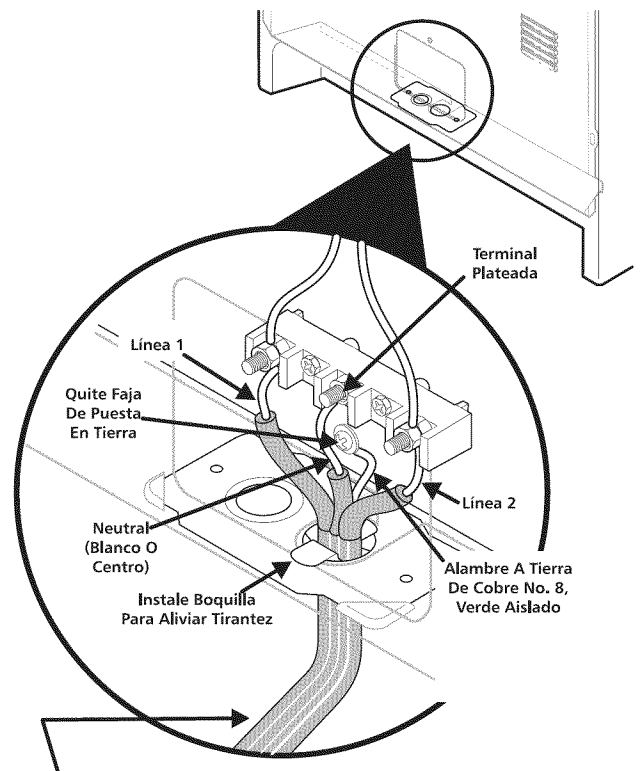
1. Quite las tres (3) tuercas sueltas en el tablero de bornes usando una llave de tuercas de 3/8". Quite la segunda tuerca y la faja de cobre de puesta a tierra de la clavija central en el tablero de bornes. Reponga la tuerca que sujetaba la faja de puesta a tierra al tablero de bornes.

NOTA: No afloje la segunda tuerca en la línea 1 o línea 2 que fijan el alambrado instalado de fábrica al tablero de bornes. Puede causar un fallo o pérdida de conexión eléctrica si se aflojan las tuercas.

2. Quite el tornillo de puesta a tierra para soltar la faja de puesta a tierra de cobre del aparato.
3. Deseche la faja de puesta a tierra. Conecte el alambre de puesta a tierra (verde) del cable eléctrico de cobre a la armadura del aparato con el tornillo de puesta a tierra, usando el mismo agujero en la armadura de donde se quitó la faja de puesta a tierra.
4. Usando las tuercas que se quitaron en el paso 1, conecte el alambre neutral (blanco) del cable eléctrico de cobre a la clavija central plateada en el tablero de bornes.
5. Conecte los dos (2) últimos alambres a las clavijas exteriores en el tablero de bornes.
6. Asegúrese de que todas las tuercas estén apretadas.
7. Reponga la tapa de acceso trasero.



Cable Eléctrico De 3 Alambres (40 Amperios) A Tablero De Desconexión Con Fusible O Aparato De Alambre Aprobado Para Cable De Suministro De Energía De Cobre.



Cable Eléctrico De 4 Alambres (40 Amperios) A Tablero De Desconexión Con Fusible O Aparato De Alambre Aprobado Para Cable De Suministro De Energía De Cobre.

INSTRUCCIONES DE INSTALACION PARA LA ESTUFA ELECTRICA DE 30"

(Para sistemas de 60 Hz de 3 o 4 alambres)

Instalación de la Repisa para Especias.

Esta estufa está equipada con una repisa para especias opcional. Para instalar la repisa en la parte superior de la estufa:

- Utilizando un destornillador Phillips, saque los cuatro tornillos de la parte trasera de la estufa como se muestra en la figura siguiente.
- Usando estos cuatro tornillos instale los dos postes de soporte (provistos) a la parte trasera de la estufa.
- Coloque la repisa en estos soportes. Asegúrese de que el labio superior trasero quede enganchado en los postes de soporte y las bridas de la parte trasera de la repisa queden alrededor de los postes de soporte como se muestra.

