

Sears

*owners
manual*

**MODEL NO.
113.178200**

Serial
number _____

Model and serial
number may be found
on the motor cover.

You should record both
model and serial
number in a safe place
for future use.

CAUTION:

**Read all safety
instructions carefully**



Sears

CRAFTSMAN.

**16 GALLON
HOME-N-SHOP VAC
WET AND DRY PICK UP**

- *assembly*
- *operating*
- *repair parts*

Sold by SEARS, ROEBUCK AND CO., Chicago, IL. 60684 U.S.A.

FULL ONE YEAR WARRANTY ON CRAFTSMAN HOME-N-SHOP VACS.

If within one year from date of purchase, this Craftsman Home-N-Shop Vac fails due to a defect in material or workmanship, Sears will repair it, free of charge.

WARRANTY SERVICE IS AVAILABLE BY SIMPLY CONTACTING THE NEAREST SEARS STORE OR SERVICE CENTER THROUGHOUT THE UNITED STATES.

This warranty gives you specific legal rights, and you may also have other rights which vary from state to state.

SEARS, ROEBUCK AND CO., Sears Tower, BSC 41-3, Chicago, IL 60684

SAFETY INSTRUCTIONS

Rules for Safe Operation

1. Know Your Vac.

Read and understand the owners manual and labels affixed to the vac. Learn its applications and limitations as well as the specific potential hazards peculiar to this vac.

2. Use the proper extension cord to prevent fires and wiring damage.

NOTE: The use of any Extension Cord will cause some loss of power. To keep the loss to a minimum and to prevent overheating and motor burnout, use the table below for the MINIMUM wire size Extension Cord.

Extension Cord Length	Wire Size
0 - 50 Feet	No. 14
50 - 100 Feet	No. 12

Use only three wire extension cords which have 3-prong grounding type plugs and 3-pole receptacle that will accept the plug on your VAC.

3. **WARNING: To avoid fire or explosion caused by the igniting of vapors or dust due to the arcing of the motor brushes:**

a. Do not operate this VAC in areas with explosive vapors (such as lighter fluid, cleaners, oil-base paints, gasoline or gasahol) or dust (such as coal, magnesium, grain or gun powder) in the air.

b. Do not vacuum explosive dust, flammable, volatile liquids or hot ashes.

c. Do not use VAC without the filter in place.

d. Do not use VAC with a torn filter. Replace filter if torn.

e. Do not use VAC as a sprayer for any flammable volatile liquid.

f. Tie back long hair.

4. Sears Service Center can repair your vac should the need ever exist. However, if you choose to service the vac yourself please read and understand MAINTENANCE instructions before changing brush assembly.

WARNING: Taking apart this VAC can result in dangerous electrical hazard if any leads (wires) are pinched against metal surfaces when VAC is put together again.

5. **NOTE: Static Build-up** — A stationary electrical charge may sometimes build up around your vac hose and housing. This is common in dry areas and a slight shock may be gotten much the same as walking across a carpet and touching a wall switch. This is only temporary and does not affect the use of the vac.

A special 2-1/2 inch diameter hose and extension handle Kit which may reduce the amount of static build up, Service Part Number 73100, can be purchased through your Sears Service Department.

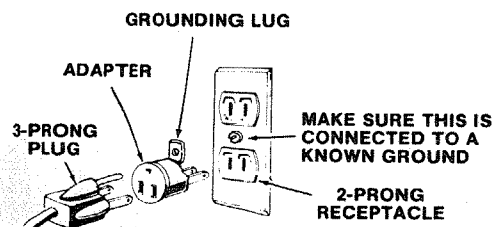
Additional Safety Instructions

1. Plug VAC into 110-120v. grounding type outlet protected by 15 amp. fuse or circuit breaker.

IF YOU ARE NOT SURE THAT YOUR OUTLET IS PROPERLY GROUNDED, HAVE IT CHECKED BY A QUALIFIED ELECTRICIAN.

If the outlet you are planning to use for your VAC is of the two prong type **DO NOT REMOVE OR ALTER THE GROUNDING PRONG IN ANY WAY.** It is recommended that you have a qualified electrician replace the two-prong outlet with a grounding type 3-prong.

As an alternative you may use an adapter as shown, being sure to connect the grounding lug to a known ground.



NOTE: The adapter shown is for use only if you already have a properly grounded 2-prong receptacle.

WARNING: IF NOT PROPERLY GROUNDED this Vac can cause the potential hazard of electrical shock.

2. Empty drum and clean filter often to keep motor cool and running at its best.

WARNING: Unplug power cord before cleaning or changing the filter.

3. Replace both brushes when either is worn to about 1/4" in length or after about 500 operating hours.

4. Use filter at all times to avoid damaging motor.

5. Check gasket on lid after emptying drum for wrinkling or pulling away. Replace if badly worn or torn.

6. Grasp plug to remove from wall socket, not by pulling cord.

7. Don't use VAC unless filter is in correct position.

8. Don't oil or grease motor or blower bearings. These are sealed bearings.

9. Make sure filter is dry for both dry vacuuming and storing.
10. Use only recommended accessories.
11. Note the cautions and warnings that appear on the motor housing and dust drum:

CAUTION: Keep Filter clean.

WARNING: To avoid electric shock do not expose to rain. Store indoors.

WARNING: For your own safety, read and understand Owner's Manual. Do not pick up flammable materials, hot ashes or coals. Do not use around explosive liquids or vapors.

The operation of any utility vac can result in foreign objects being blown into the eyes, which can result in severe eye damage. Always wear safety goggles



complying with ANSI Z87.1 (shown on Package) before commencing operation. Safety Goggles are available at Sears retail or catalog stores.

introduction

Your Home N Shop Vac is made for both vacuuming and blowing. You will find many uses for both; from blowing sawdust and wood chips off of your Craftsman power tools to vacuuming excess water from your basement floor.

CONTENTS

Rules for Safe Operation	2
Introduction	3
Unpacking and Checking Contents	3
Assembly	4
Operation	5
Maintenance	6
Optional Accessories	8
Repair Parts	9

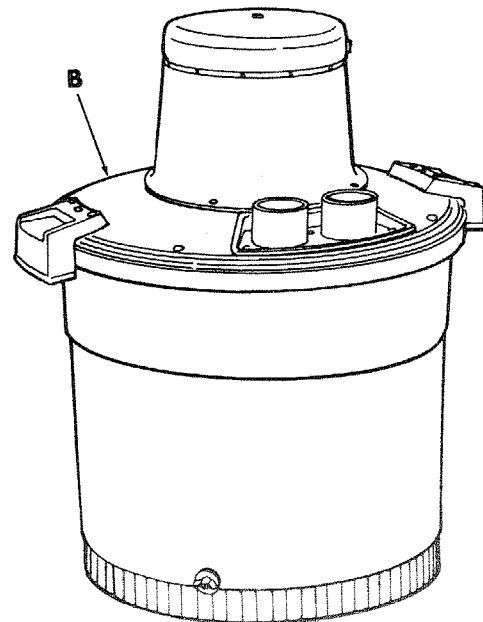
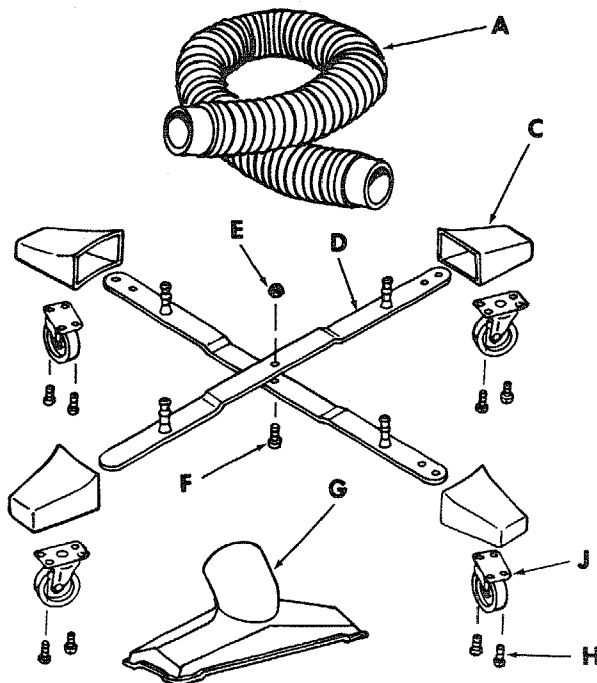
unpacking and checking contents

Model 113.178200 Home-N-Shop Vac is shipped complete but does not include the optional accessory kit. Available accessories can be found on page 8.

Open carton and remove all accessories laying in top of carton. Check each item with the Carton Contents list and notify your Sears Store immediately if any parts are missing.

CARTON CONTENTS

Key	Description	Qty
A	Hose Assembly (2-1/2" Dia.)	1
B	Shop Vac Assembly	1
C	Foot, Caster	4
D	Bar & Stem Assembly	2
E	Nut for Machine Screw	1
F	Screw, Machine	1
G	Nozzle, Rectangular	1
H	Screw, Thread Cutting	8
J	Caster	4



assembly

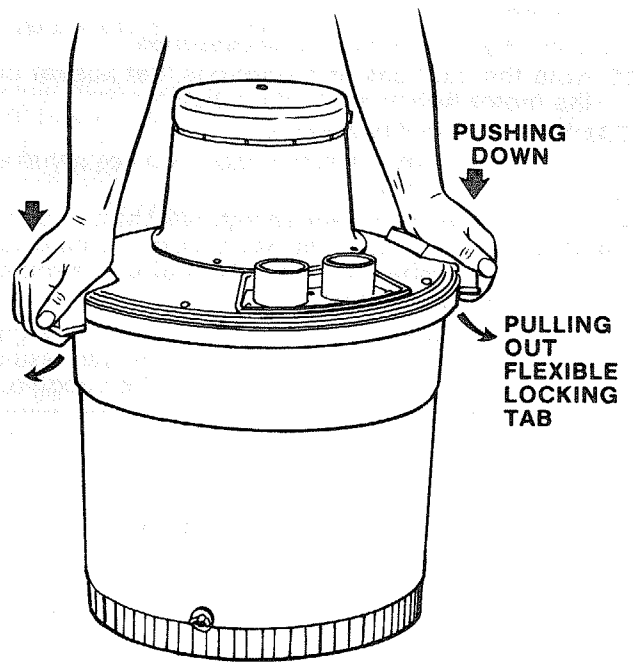
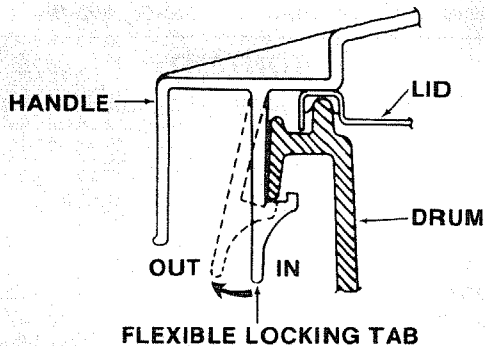
TOOLS NEEDED



#2 PHILLIPS SCREWDRIVER

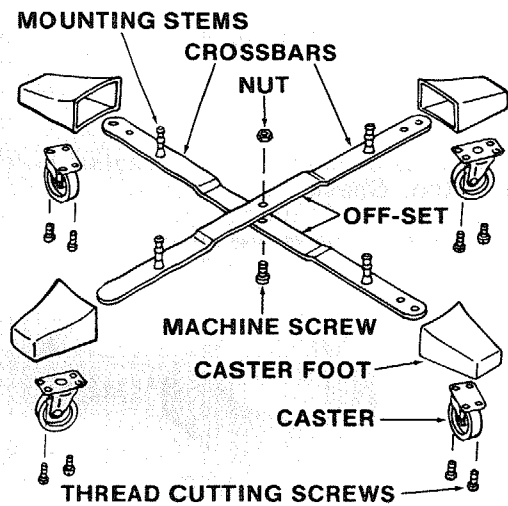
PUTTING YOUR HOME-N-SHOP VAC TOGETHER

1. Remove lid assembly from dust drum. Push down on both handles at once, while pulling out on both flexible locking tabs. With locking tabs in "out" position, lift lid away from tank.

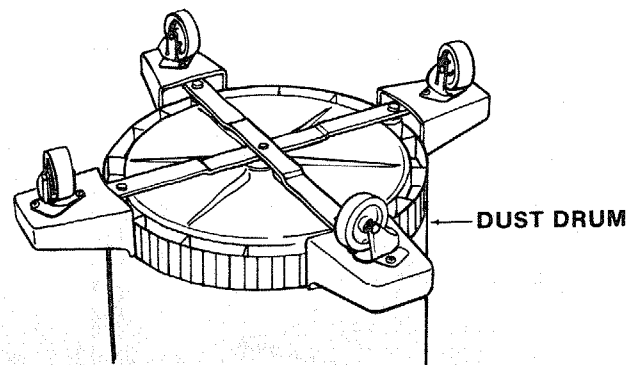


2. Place dust drum from Home-N-Shop Vac upside down. Put together caster assembly as shown.

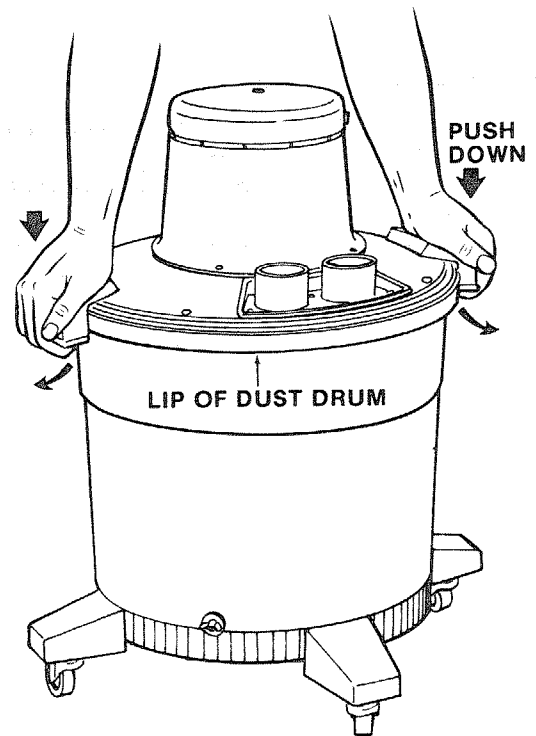
- A. Connect the two cross bars with machine screw and nut — notice the offset in cross bars — arrange cross bars as shown in sketch so all mounting stems are the same height. Snap mounting stems into bottom of dust drum.



- B. Slip each caster foot over ends of cross bars and insert thread cutting screws through caster, caster foot and into cross bar. Do not tighten screws until all parts are in place. Press caster feet against dust drum and tighten screws.



3. Before replacing the lid check to see if filter wing nut is tight. It should be tight enough that filter cannot turn easily. Finger tight only.
4. Replace the lid assembly on the dust drum. Push down on both handles at once. Make sure that the locking tabs are snapped in place to prevent the lid from coming off.
5. Your vac is furnished with a 2-1/2" diameter swivel hose and rectangular nozzle for maximum performance.
6. Put one end of your new swivel hose into the opening for vacuuming and connect the nozzle furnished with your vac to the other end of the hose and you are ready to vacuum.



operations

USING YOUR HOME-N-SHOP VAC

1. Wet Pick Up

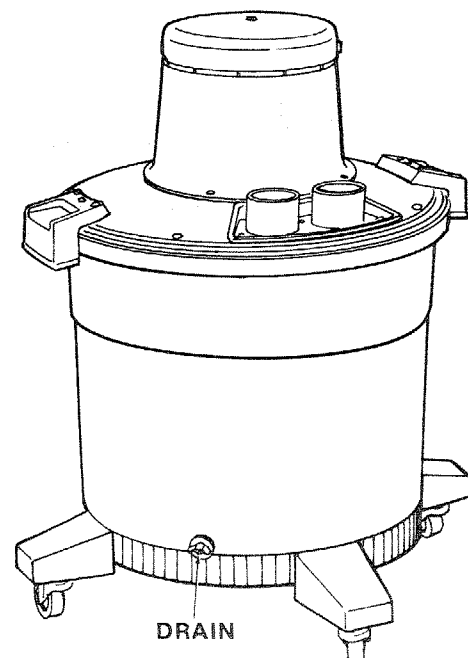
- A. Filter must be in place at all times.
- B. Use same filter for wet or dry pick-up. No changes have to be made to pick up liquids.
- C. Your vac is made to pick up water or any other non-explosive liquid.
- D. Your vac will stop picking up water automatically when full. You can tell when the cut off occurs by listening to the change in motor sound which is a higher pitch sound than normal running.

E. Once the filter is wet, do not pick up dirt or dust because it will clog the filter. When the filter dries under these conditions you will probably have trouble cleaning it. Use a dry filter for dry vacuuming. Both water and dirt can be picked up together but the filter should be cleaned and dried before storing.

F. Any nozzle can be used to pick up water; however, a squeegee nozzle is available from your local Sears Store or Catalog Dept. When the water has dirt mixed with it, the utility nozzle that came with your vac works well.

2. Draining the Drum

Your Home-N-Shop Vac has a drain for emptying liquids. Just loosen the wing nut on the drain and pull the stopper out.



3. Dry Pick Up

- A. Always use a dry filter when picking up dry materials like sawdust.
- B. If you pick up sawdust or dry material when the filter is wet it will clog the filter.
- C. To aid drying a wet filter you may run the vac for about 5 minutes before using it to pick up dry material.
- D. Use your vac to pick up many non-explosive or flammable materials such as sawdust, woodchips and shavings, sand, gravel, even nails.

4. Blowing

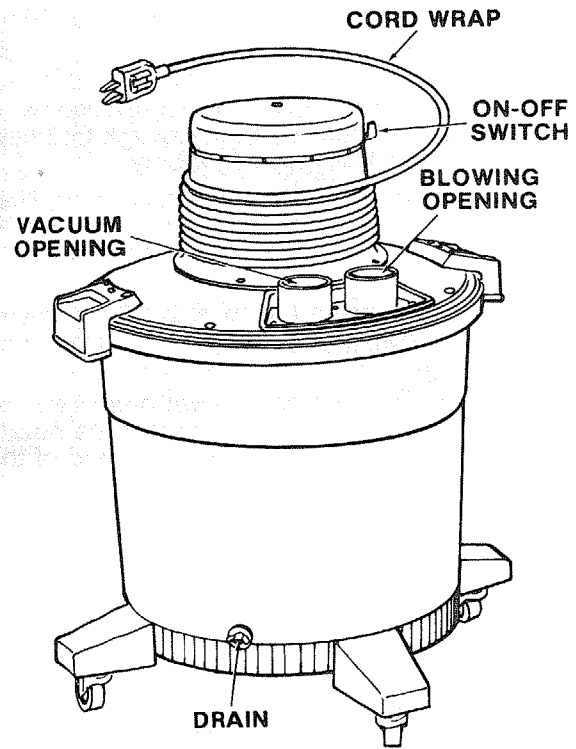
To use your vac for blowing just put the hose into the opening on the top of your vac that says "Blowing".

5. On-Off-Switch

Your vac is turned ON or OFF by using the switch easily found on the Motor Cover.

6. Cord Wrap

When finished using your vac, unplug the cord and wrap it around the Motor Cover.



maintenance

FILTER MAINTENANCE

WARNING — Unplug power cord before changing or cleaning filter.

FILTER SHOULD BE CLEANED OFTEN TO MAINTAIN PEAK PERFORMANCE

1. TO REMOVE — Remove wing nut and plate on bottom of filter. Remove filter by lifting off the wire guide.

2. TO CLEAN —

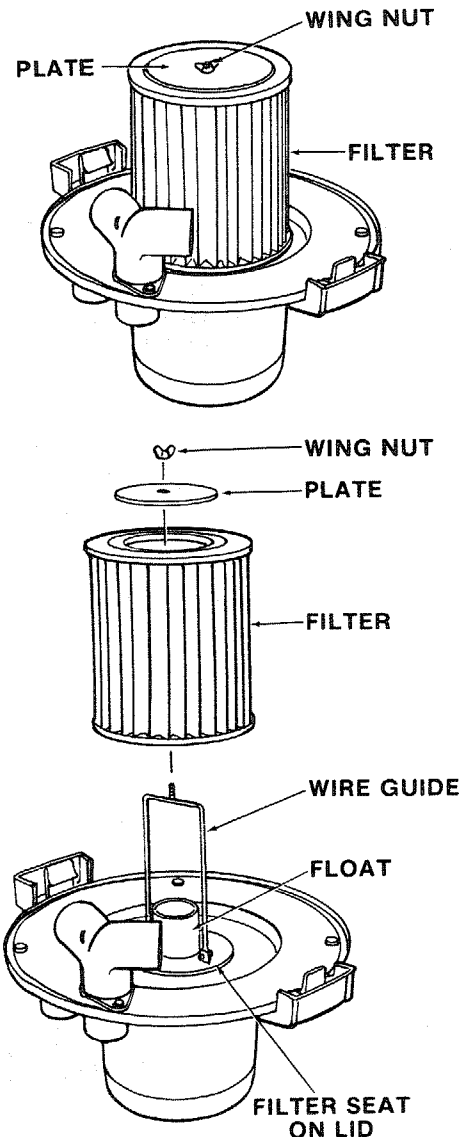
- A. Dry dust applications — shake or tap filter to remove dust.
- B. Wet applications — if dirt will not come off with shaking or tapping; then, run water through filter. Make sure filter is dry before replacing. Run unit with filter in place to aid drying.

NOTE: Don't use vac with torn, ripped or badly worn filter. Small tears may be repaired with tape.

3. TO REPLACE — Threaded part of wire guide goes through middle hole in bottom plate of filter. Make sure filter is setting evenly on lid. Wing nut holds filter in place. Run wingnut down till it is finger tight.

WARNING: If you use a wet filter on dry pickup or store a wet filter, you may damage the filter. Dry filter before storing.

Replace a torn, ripped or badly worn filter right away to keep dust from getting in the motor.



REPLACING BRUSHES

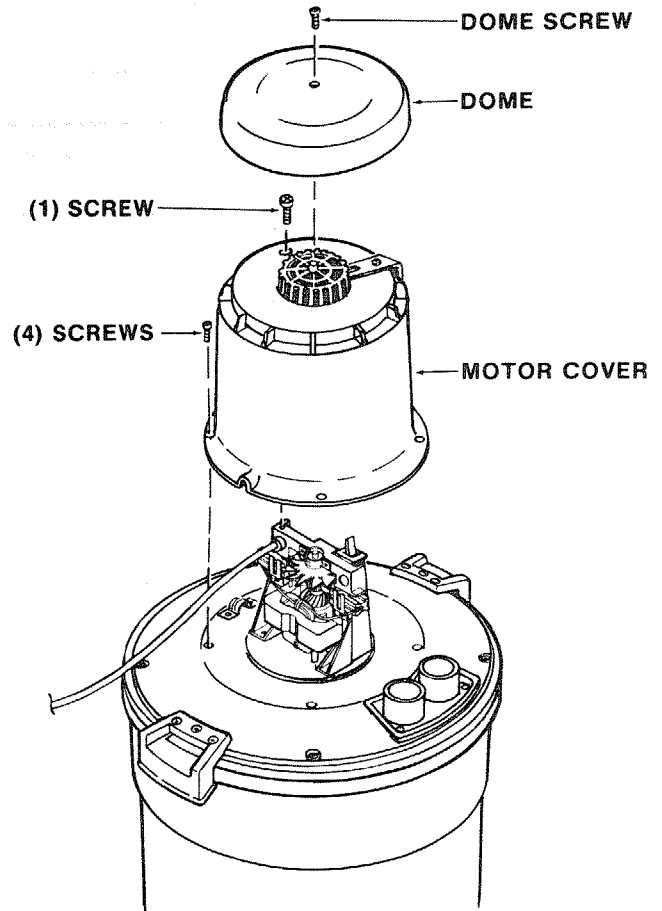
NOTE: Sears Service Center can repair your vac should the need ever exist. However, if you choose to service the vac yourself please read and understand the maintenance instructions before changing brush assembly.

- A. If motor does not run check the plug and cord and fuse or circuit breaker for faults before working on the vac.
- B. When brushes are worn to about 1/4" or after 500 operating hours, they should be replaced.
- C. Your vac motor has two brushes. If either needs to be replaced then both must be replaced at that time.

WARNING — unplug power cord before working on motor, blower, or changing brushes.

TO REPLACE BRUSHES ON MOTOR — Be sure to replace both brushes at same time.

1. Remove screw holding Dome as shown. Remove Dome.
2. Remove five screws holding Motor Cover as shown. Remove Motor Cover. It will be easier if you replace one brush holder at a time.

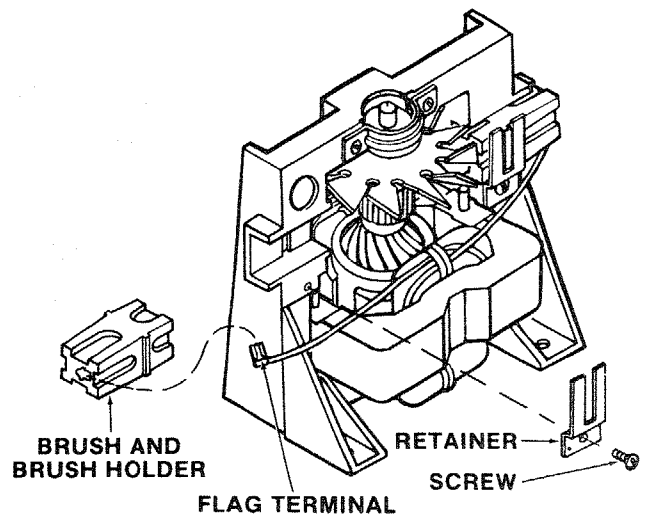


NOTE: To avoid crossing brush wires connect flag terminal to new brush as soon as it is removed from old brush.

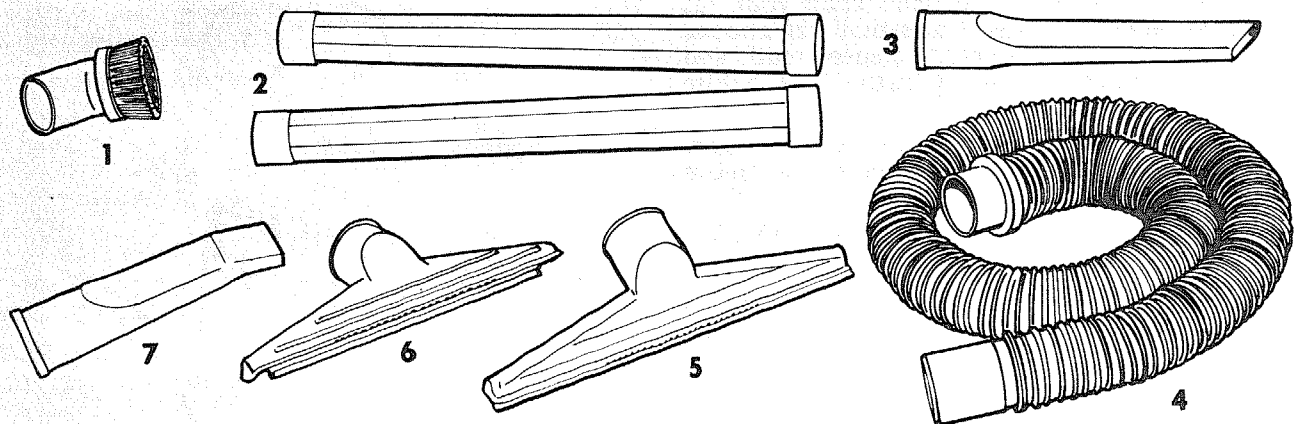
The brush and plastic holder are connected and are replaced as a complete unit.

3. Remove Screw, Retainer and Brush Holder Assembly as shown. Brush Holder Assembly is thrown away after Flag Connector is removed from Brush Holder.
4. Connect new brush holder to flag connector. (Be sure connectors are put back together the same way they were taken off.) Putting connectors on wrong will cause damage to the motor. Replace brush holder, retainer and screw.
5. Put the Motor Cover back on.
6. Put the Dome back on.

NOTE: When new brushes are put in, the motor may sound differently for a while until the new brushes are seated.



Sears Home-N-Shop Vac recommended accessories



2-1/2" DIAMETER ACCESSORIES

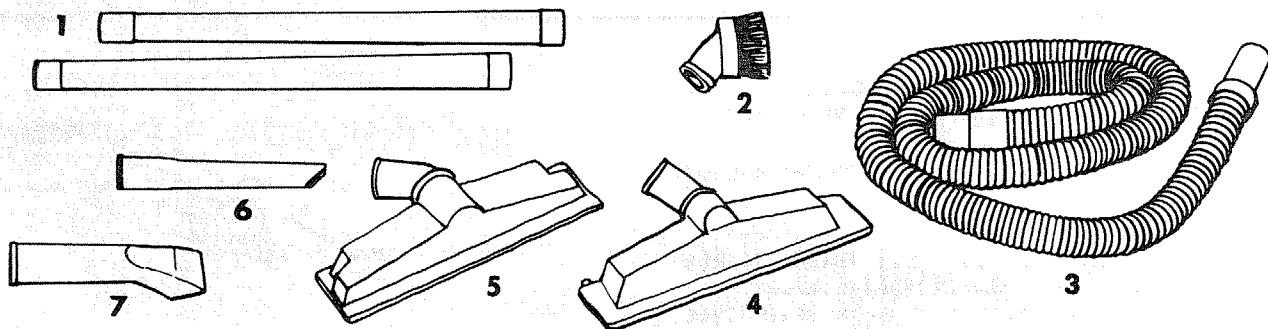
For large debris, the current 2-1/2" diameter accessories shown below are available at your nearest Sears retail or catalog order store.

1. 9-16901 — Round Brush for dusting.
2. 9-16964 — Extension handles for 2-1/2" hose. Extends work-area range up to 46" more.
3. 9-16902 — Crevice Tool for cleaning Hard-to-reach areas.
4. 9-17818 — 2-1/2" diameter Extension Hose and Connector Kit extends cleaning reach up to 72".
5. 9-17817 — 14" Squeegee Nozzle for wet pick-up. Complete with built-in, flexible squeegee blade to wipe clean and pick up water, suds and other liquids.
6. 9-16925 — 14" Wide Nozzle with brush for large area pick-up. Gets dust and dirt from bare floors.
7. 9-16978 — Car Nozzle ideal for cleaning the inside of your car — picks up stones and dirt off carpet; cleans ash tray without having to remove tray.

ACCESSORY SET

9-16919 — 6 Piece Accessory Set includes (1) Round Brush, (2) Two Extension Handles, (3) Crevice Tool, (6) 14" Wide Nozzle, (5) Squeegee Nozzle.

The above recommended accessories were current and available at the time of printing.



1-1/4" DIAMETER ACCESSORIES

The current 1-1/4" diameter accessories shown below are available at your nearest Sears retail or catalog order store.

1. 9-17861 — Extension handles for 1-1/4" hose. Extends work area range up to 40" more.
2. 9-17862 — Round brush for dusting protects fine furniture, great on stairs and blinds. Soft bristles pick up dirt from hard-to-clean areas, convenient angled neck.
3. 9-17866 — 1-1/4" diameter extension hose extends cleaning reach up to 72".
4. 9-17826 — 11" squeegee nozzle for wet pick-up. Complete with built-in, flexible squeegee blade to wipe clean and pick up water, suds and other liquids.
5. 9-17825 — 11-3/8" wide nozzle with brush for large area pick-up. Gets dust and dirt from bare floors.
6. 9-17863 — 9" crevice tool cleans hard-to-reach areas. Remove long-standing dust from behind radiators, under appliances, beneath low-sitting objects, behind seats.
7. 9-17868 — Car nozzle ideal for cleaning the inside of your car — picks up stones and dirt off carpet; cleans ash tray without having to remove tray.

ACCESSORY SET

9-17869 — Six-piece Basic Accessory Set for use with 1-1/4" hose and handles. Includes (1) two Extension Handles, (2) Round Brush, (6) Crevice Tool, (5) Wide-Nozzle Floor Brush and (4) Wet Nozzle.

The above recommended accessories were current and available at the time of printing.

PARTS LIST FOR 16 GALLON HOME-N-SHOP VAC 113.178200

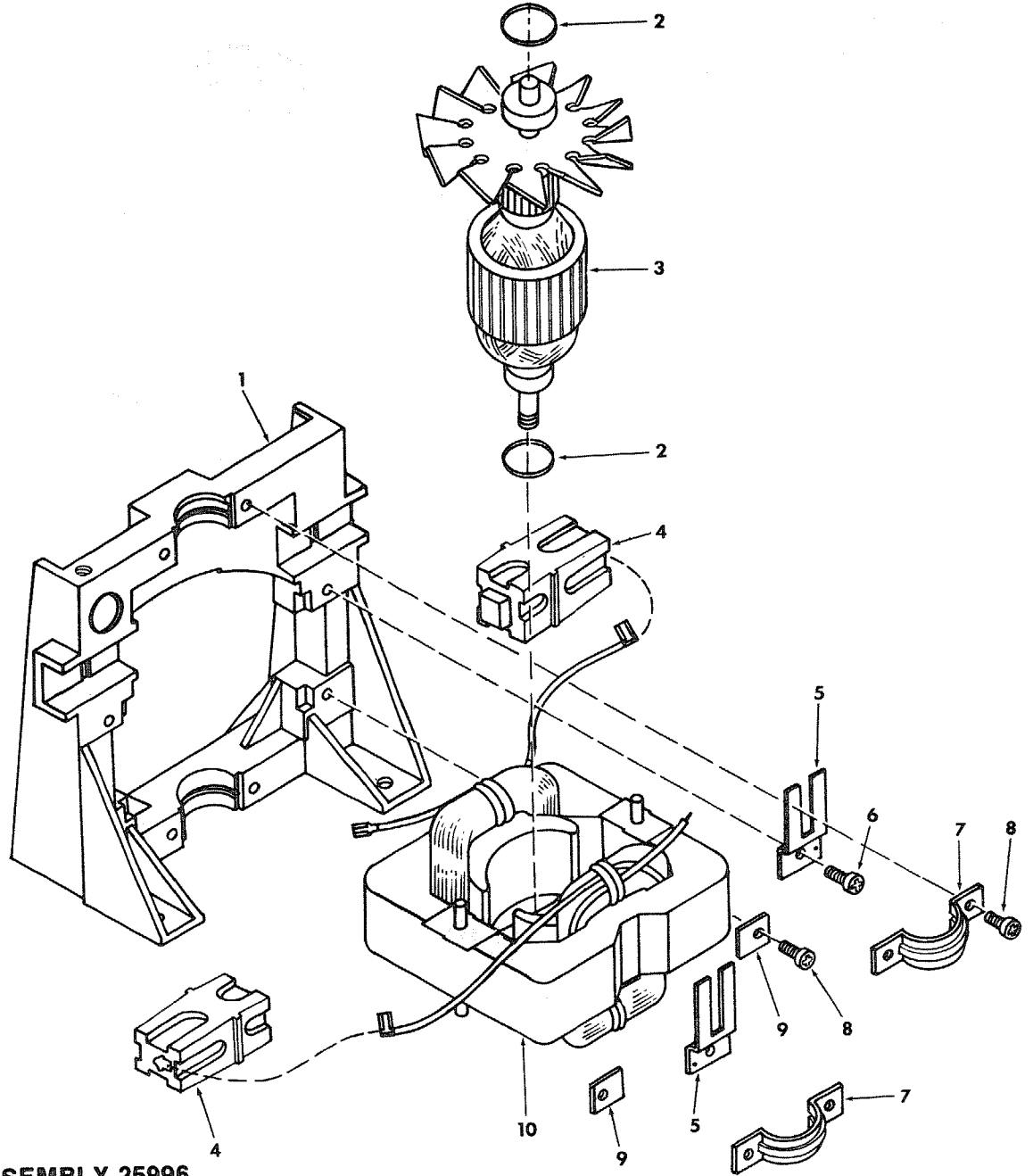


FIGURE 1
MOTOR ASSEMBLY 25996

Key No.	Part No.	Description
1	28932	Frame
2	15531	Ring, Pressure
3	23665	Armature Assembly
4	V26003	Brush Assembly
5	28891	Retainer
6	STD600805	*Screw, Pan Cross Type T 8-32 x 1/2
7	15539	Bracket, Bearing
8	STD600803	*Screw, Pan Cross 8-32 x 7/16
9	19552	Clip
10	25916	Field Assembly

*Standard Hardware Item — May be Purchased Locally

PARTS LIST FOR 16 GALLON HOME-N-SHOP VAC 113.178200

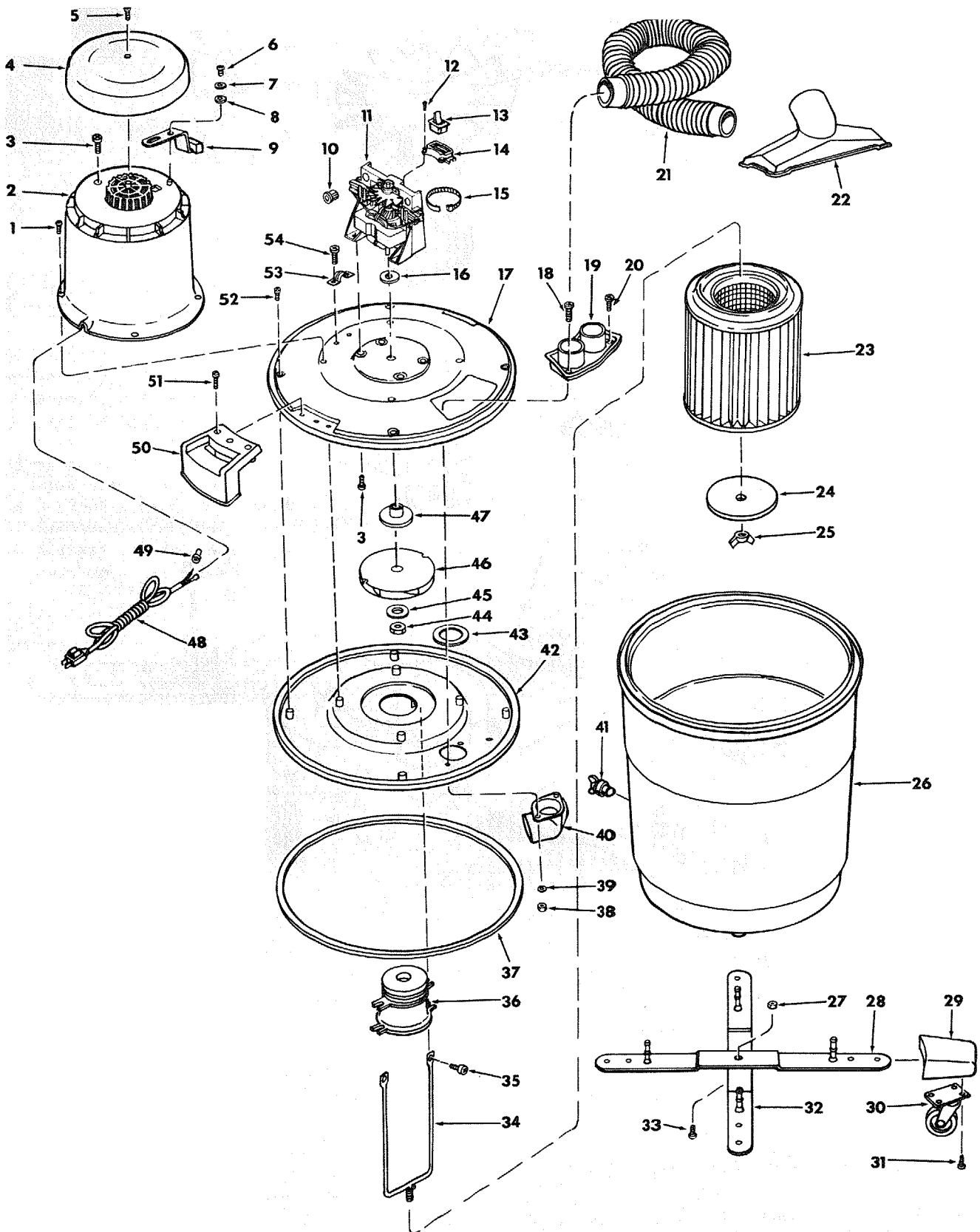


Figure 2

PARTS LIST FOR 16 GALLON HOME-N-SHOP VAC 113.178200

FIGURE 2

Key No.	Part No.	Description
1	STD600803	*Screw, Pan Cross 8-32 x 7/16
2	22209	Cover Assembly
3	STD610803	*Screw, Pan Cross Type BT 8 x 3/8
4	73146	Dome
5	STD611005	*Screw, Pan Cross Type AB 10 x 5/8
6	STD610605	*Screw, Pan Cross Type BT 6 x 1/2
7	STD551006	*Washer, .156 x .404 x .033
8	17787	Washer, Spring
9	22210-01	Lever
10	24473	Bushing, Snap
11	25996	Motor Assembly
12	19002	Screw, Pan Cross Type T 6-32 x 3/4
13	20432	Switch
14	22188-01	Bracket, Switch
15	73120	Tie, Cable
16	22215	Gasket
17	24782	Collector Assembly
18	STD510810	Screw, Pan Rec. Hd. 8-32 x 1
19	22212-01	Ferrule
20	STD610807	*Screw, Pan Cross Type B #8 x 3/4
21	73150	Hose Assembly
22	20557-01	Nozzle, Rectangular
23	73147	Filter Assembly
24	73148	Plate, Filter
25	STD541625	*Nut, Wing 1/4-20
26	20560	Drum Assembly
27	STD541008	*Nut, Hex 8-32
28	21297-01	Bar and Stem Assembly

Key No.	Part No.	Description
29	21171-20	Foot, Caster
30	13833	Caster
31	20605	Screw, Pan Cross Type T 10-24 x 1/2
32	21296-01	Bar and Stem Assembly
33	STD510805	*Screw, Pan Cross 8-32 x 1/2
34	27726-01	Guide Assembly
35	20605	Screw, Pan Cross Type T 10-24 x 1/2
36	22189	Float Assembly
37	25969	Gasket
38	STD541408	*Nut, Lock 8-32
39	STD551008	*Washer, 13/64 x 1/2 x 3/64
40	28229-01	Nozzle
41	13968	Plug Assembly
42	28963	Lid Assembly (Includes Key #37)
43	20866	Gasket
44	STD541031	*Nut, Hex 5/16-18
45	15534	Washer
46	22220	Wheel Assembly
47	22192	Spacer
48	19693	Cord Assembly
49	STD375007	*Connector
50	22364-01	Handle
51	STD510807	*Screw, Truss Cross 8-32 x 3/4
52	STD600802	*Screw, Pan Cross 8-32 x 5/16
53	24464	Clamp
54	STD610805	*Screw, Pan Cross Type AB 8 x 1/2
	73149	Owners Manual (Not Illustrated)

*Standard Hardware Item — May be Purchased Locally



*owners
manual*

SERVICE

**MODEL NO.
113.178200**

**HOW TO ORDER
REPAIR PARTS**

HOME-N-SHOP VAC

Now that you have purchased your Home-N-Shop Vac, should a need ever exist for repair parts or service, simply contact any Sears Service Center and most Sears, Roebuck and Co. stores. See how to order repair parts below.

Model and serial number may be found on the Motor Cover of your Home-N-Shop Vac.

WHEN ORDERING REPAIR PARTS, ALWAYS GIVE THE FOLLOWING INFORMATION:

PART NUMBER	PART DESCRIPTION
MODEL NUMBER 113.178200	NAME OF ITEM HOME-N-SHOP VAC

All parts listed may be ordered from any Sears Service Center and most Sears stores. If the parts you need are not stocked locally, your order will be electronically transmitted to a Sears Repair Parts Distribution Center for handling.

Sold by SEARS, ROEBUCK AND CO., Chicago, IL. 60684 U.S.A.