

36" GAS RANGE INSTALLATION INSTRUCTIONS

INSTALLATION AND SERVICE MUST BE PERFORMED BY A QUALIFIED INSTALLER. IMPORTANT: SAVE FOR LOCAL ELECTRICAL INSPECTOR'S USE. READ AND SAVE THESE INSTRUCTIONS FOR FUTURE REFERENCE. OBSERVE ALL GOVERNING CODES AND ORDINANCES.



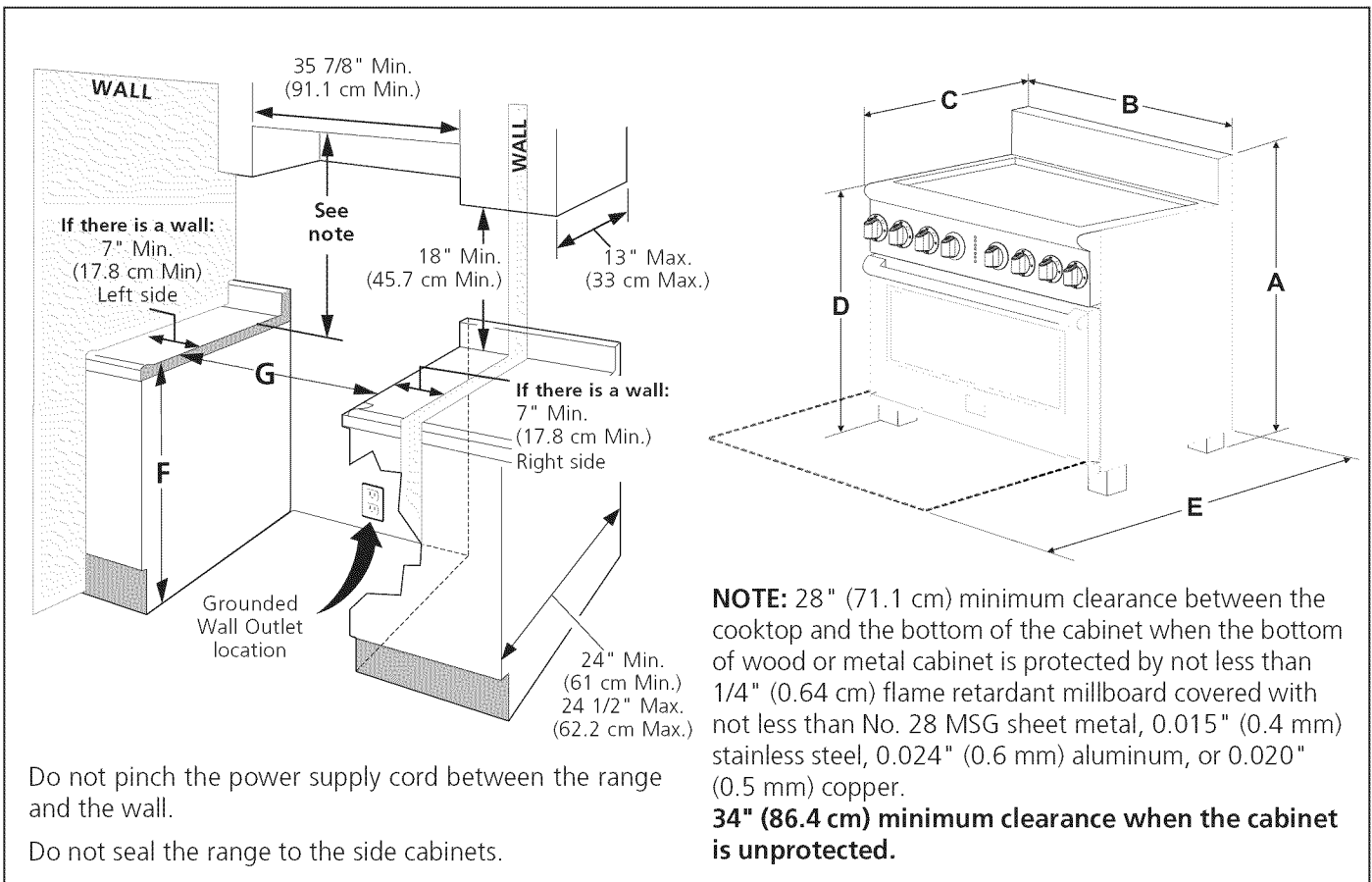
Refer to your serial plate for applicable agency certification

Note: For appliances installed in the state of Massachusetts see page 2.

⚠ WARNING If the information in this manual is not followed exactly, a fire or explosion may result causing property damage, personal injury or death.

FOR YOUR SAFETY:

- Do not store or use gasoline or other flammable vapors and liquids in the vicinity of this or any other appliance.
- **WHAT TO DO IF YOU SMELL GAS:**
 - Do not try to light any appliance.
 - Do not touch any electrical switch; do not use any phone in your building.
 - Immediately call your gas supplier from a neighbor's phone. Follow the gas supplier's instructions.
 - If you cannot reach your gas supplier, call the fire department.
- Installation and service must be performed by a qualified installer, service agency or the gas supplier.



A. HEIGHT	B. WIDTH	C. DEPTH TO FRONT OF RANGE	D. HEIGHT OF COOKTOP	E. DEPTH WITH DOOR OPEN	F. HEIGHT OF COUNTERTOP	G. MINIMUM CUTOUT WIDTH
41 5/8" (105.7 cm) Min. 42 5/8" (108.3 cm) Max.	35 7/8" (91.1 cm)	27 1/2" (69.9 cm)	35 3/4" (90.8 cm) Min. 36 3/4" (93.3 cm) Max.	47 3/8" (120.3 cm)	36" (91.4 cm) Standard 35 3/4" (90.8 cm) Min.	36 1/16" (91.6 cm)

Note: Wiring diagram for this model is enclosed in this booklet (see page 20).

P/N 318201777 (0808) Rev. A

English - pages 1-8; Español - páginas 9-16

Printed in United States

Notes - pages 17-19; Wiring Diagram - page 20

36" GAS RANGE INSTALLATION INSTRUCTIONS

IMPORTANT SAFETY INSTRUCTIONS

Installation of this range must conform with local codes or, in the absence of local codes, with the National Fuel Gas Code ANSI Z223.1/NFPA No.54.

When installing in a manufactured (mobile) home, installation must conform with Manufactured Home Construction and Safety Standard, title 24CFR, part 3280 [Formerly the Federal Standard for Mobile Home Construction and Safety, title 24, HUD (part 280)] or, when such standard is not applicable, the Standard for Manufactured Home Installation, ANSI Z225.1/NFPA 501A-latest edition, or with CAN/CSA-Z240 MH, or with local codes .

This range has been design certified by CSA international. As with any appliance using gas and generating heat, there are certain safety precautions you should follow. You will find them in the Use and Care Guide, read it carefully.

- **Be sure your range is installed and grounded properly by a qualified installer or service technician.**
- **This range must be electrically grounded in accordance with local codes or, in their absence, with the National Electrical Code ANSI/NFPA No. 70—latest edition in the United States or with CSA standard C22.1, Canadian Electrical Code, Part 1 in Canada.**
- **Make sure the wall coverings around the range can withstand the heat generated by the range.**
- **Before installing the range in an area covered with linoleum or any other synthetic floor covering, make sure the floor covering can withstand heat at least 90°F/32°C above room temperature without shrinking, warping or discoloring.** Do not install the range over carpeting unless you place an insulating pad or sheet of 1/4" (6.4 mm) thick plywood between the range and carpeting.
- **Do not obstruct the flow of combustion air at the oven vent nor around the base or beneath the lower front panel of the range.** Avoid touching the vent openings or nearby surfaces as they may become hot while the oven is in operation. This range requires fresh air for proper burner combustion.

⚠ WARNING Never cover any slots, holes or passages in the oven bottom or cover an entire rack with materials such as aluminum foil. Doing so blocks air flow through the oven and may cause carbon monoxide poisoning. Aluminum foil linings may also trap heat, causing a fire hazard.

⚠ WARNING Never leave children alone or unattended in the area where an appliance is in use. As children grow, teach them the proper, safe use of all appliances. Never leave the oven door open when the range is unattended.

⚠ WARNING Stepping, leaning or sitting on the door of this range can result in serious injuries and can also cause damage to the range.

- **Do not store items of interest to children in the cabinets above the range.** Children could be seriously burned climbing on the range to reach items.
- **To eliminate the need to reach over the surface units, cabinet storage space above the units should be avoided.**
- **Adjust surface burner flame size so it does not extend beyond the edge of the cooking utensil.** Excessive flame is hazardous.
- **Do not use the oven as a storage space.** This creates a potentially hazardous situation.
- **Never use your range for warming or heating the room.** Prolonged use of the range without adequate ventilation can be dangerous.
- **Do not store or use gasoline or other flammable vapors and liquids near this or any other appliance.** Explosions or fires could result.
- In the event of an electrical power outage, the surface burners can be lit manually. To light a surface burner, hold a lit match to the burner head and rapidly turn the Surface Control knob to Med. Use caution when lighting surface burners manually.
- **Remove broiler pan, food and other utensils before self-cleaning the oven.** Wipe up excess spillage. Follow the cleaning instructions in the Use & Care Guide.
- **Unlike the standard gas range, THIS COOKTOP IS NOT REMOVABLE.** Do not attempt to remove the cooktop.

Special Instructions for appliances installed in the State of Massachusetts: This appliance can only be installed in the State of Massachusetts by a Massachusetts licensed plumber or gas fitter. When using a flexible gas connector, it must not exceed 3 feet (36 inches) in length. A "T" handle type manual gas valve must be installed in the gas supply line to this appliance.



⚠ WARNING

- All ranges can tip.
- Injury to persons could result.
- Install anti-tip device packed with range.



⚠ WARNING

To reduce the risk of tipping of the range, the range must be secured by properly installed anti-tip bracket(s) provided with the range. To check if the bracket is installed properly, grasp the top rear edge of the range and carefully tilt it forward to make sure the range is anchored.

36" GAS RANGE INSTALLATION INSTRUCTIONS

Important Notes to the Installer

1. Read all instructions contained in these installation instructions before installing range.
2. Remove all packing material from the oven compartments before connecting the electrical supply to the range.
3. Observe all governing codes and ordinances.
4. Be sure to leave these instructions with the consumer.
5. Note: For operation at 2000 ft. elevations above sea level, appliance rating shall be reduced by 4 percent for each additional 1000 ft.

Important Note to the Consumer

Keep these instructions with your owner's guide for future reference.

Optional Items Available:

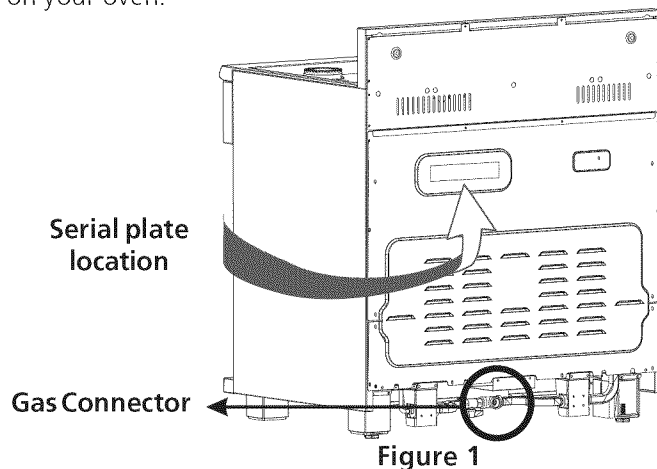
- A Stainless Steel Kick Plate
- A Black Knob Kit

Those kits can be ordered for purchase through an Electrolux Service Center at 1-877-4ELECTROLUX (1-877-435-3287).

1. Model and Serial Number Location

The serial plate is located at back of the appliance.

When ordering parts for or making inquiries about your oven, always be sure to include the model and serial numbers and a lot number or letter from the serial plate on your oven.



2. Electrical Requirements

120 volt, 60 Hertz, properly grounded dedicated circuit protected by a 15 amp circuit breaker or time delay fuse.

Note: This range is not recommended to be installed with a Ground Fault Interrupt (GFI).

Do not use an extension cord with this range.

Grounding Instructions

IMPORTANT Please read carefully.

For personal safety, this appliance must be properly grounded.

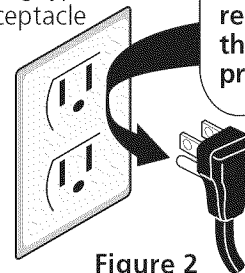
The power cord of this appliance is equipped with a 3-prong (grounding) plug which mates with a standard 3-prong grounding wall receptacle (see Figure 2) to minimize the possibility of electric shock hazard from the appliance.

The wall receptacle and circuit should be checked by a qualified electrician to make sure the receptacle is properly grounded.

Where a standard 2-prong wall receptacle is installed, it is the personal responsibility and obligation of the consumer to have it replaced by a properly grounded 3-prong wall receptacle.

Preferred Method

Grounding type wall receptacle



Do not, under any circumstances, cut, remove, or bypass the grounding prong.

Power supply cord with 3-prong grounding plug.

Do not, under any circumstances, cut or remove the third (ground) prong from the power cord.

⚠ WARNING Disconnect electrical supply cord from wall receptacle before servicing range.

⚠ WARNING Electrical Shock Hazard

- Electrical ground is required on this appliance.
- Do not use the gas supply line for grounding the appliance.

Failure to do any of the above could result in a fire, personal injury or electrical shock.

36" GAS RANGE INSTALLATION INSTRUCTIONS

3. Gas Supply Installation

When shipped from the factory, this unit is designed to operate on 4" (10,16 cm) water column (1.0 kPa) Natural gas manifold pressure. A convertible pressure regulator is connected to the range manifold and **MUST** be connected in series with the gas supply line. The gas connector is located as shown on figure 1. It is accessible from front of the range.

For proper operation, the maximum inlet pressure to the regulator should be no more than 14" (35,56 cm) of water column pressure (3.5 kPa).

The inlet pressure to the regulator must be at least 1" (.25 kPa) greater than the regulator manifold pressure setting. The regulator is set for 4" (10,16 cm) water column (1.0 kPa) Natural gas manifold pressure; the inlet pressure must be at least 5" (12.60 cm) water column (1.25 kPa) Natural gas. For LP/Propane gas, the regulator must be set for 10" (25,4 cm) water column (2.5 kPa) manifold pressure; the inlet pressure must be at least 11" (27,9 cm) water column (2.75 kPa).

The supply line should be equipped with an approved shutoff valve (see Figure 3 & 4). This valve should be located in the same room as the range and should be in a location that allows ease of opening and closing. Do not

block access to the shutoff valve. The valve is for turning on or shutting off gas to the appliance. Open the shutoff valve in the gas supply line. Wait a few minutes for gas to move through the gas line.

The gas supply between the shutoff valve and the regulator may be connected by rigid piping or by A.G.A./C.G.A.-approved flexible metallic union-connected piping where local codes permit use.

The gas supply piping can be through the side wall of the right cabinet. The right side cabinet is an ideal location for the main shutoff valve, if the range is installed within cabinet storage space

Connection to Pressure Regulator

The regulator is already installed on the appliance.

CAUTION Do not make the connection too tight. The regulator is die cast. Overtightening may crack the regulator resulting in a gas leak and possible fire or explosion.

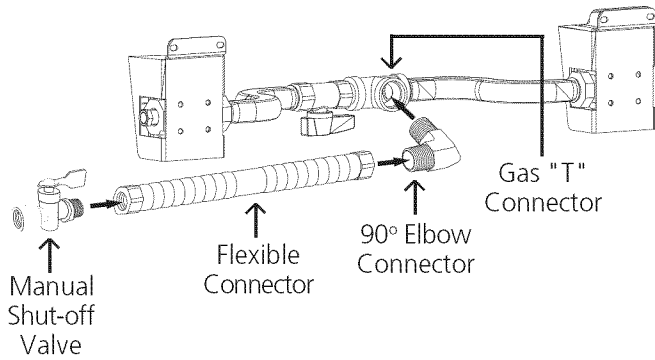
The gas supply line to the shutoff valve should be 1/2" (1,27 cm) or 3/4" (1.9 cm) solid pipe.

The user must know the location of the main shutoff valve and have easy access to it.

When using flexible gas conduit on the range, allow sufficient slack to pull the range outside the cutout for cleaning or servicing.

NOTE: Do not allow the flexible conduit to get pinched between the wall and the range.

Suggested gas connections



All connections must be wrench-tightened

Figure 3

Assemble the flexible connector from the gas supply pipe to the gas connector in the following order:

1. Manual shut-off valve (not supplied)
2. Flexible connector (not supplied)
3. 1/2" 90° Elbow Connector (not supplied)
4. Gas "T" connector (supplied)

Use pipe-joint compound made for use with Natural and LP/Propane gas to seal all gas connections. If flexible connectors are used, be certain connectors are not kinked. The supply line must be equipped with an approved manual shutoff valve. This valve should be located in the same room as the range and should be in a location that allows ease of opening and closing. Do not block access to the shutoff valve. The valve is for turning on or shutting off gas to the appliance.

Once regulator is in place, open the shutoff valve in the gas supply line. Wait a few minutes for gas to move through the gas line.

Check for leaks. After connecting the range to the gas supply, check the system for leaks with a manometer. If a manometer is not available, turn on the gas supply and use a liquid leak detector (or soap and water) at all joints and connections to check for leaks. Leaks will be indicated by bubbles appearing at the connections or joints.

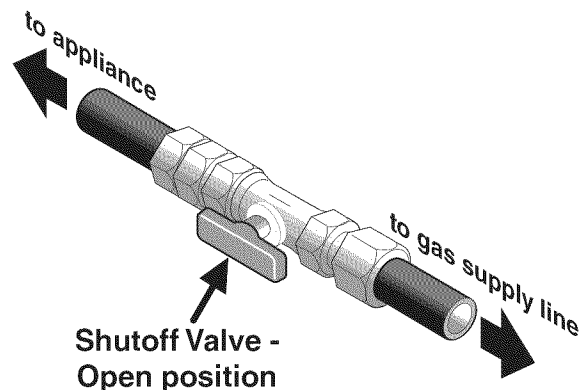


Figure 4

36" GAS RANGE INSTALLATION INSTRUCTIONS

⚠ WARNING Do not use a flame to check for leaks from gas connections. Checking for leaks with a flame may result in a fire or explosion.

All openings in the wall or floor where the range is to be installed must be sealed.

Tighten all connections if necessary to prevent gas leakage in the cooktop or supply line.

Disconnect this range and its individual shutoff valve from the gas supply piping system during any pressure testing of the system at test pressures greater than 1/2 psig (3.5 kPa or 14" (35,56 cm) water column).

Isolate the range from the gas supply piping system by closing its individual manual shutoff valve during any pressure testing of the gas supply piping system at test pressures equal to or less than 1/2 psig (3.5 kPa or 14" (35,56 cm) water column).

4. LP/Propane Gas Conversion

This appliance can be used with Natural gas or LP/Propane gas. It is shipped from the factory for use with natural gas.

If you wish to convert your range for use with LP/Propane gas, use the supplied fixed orifices located in a bag containing the literature marked "FOR LP/PROPANE GAS CONVERSION." Follow the instructions packaged with the orifices.

The conversion must be performed by a qualified service technician in accordance with the manufacturer's instructions and all local codes and requirements. Failure to follow these instructions could result in serious injury or property damage. The qualified agency performing this work assumes responsibility for the conversion.

⚠ WARNING Failure to make the appropriate conversion can result in personal injury and property damage.

5. Moving the Appliance for Servicing and Cleaning

Turn off the range line fuse or circuit breakers at the main power source, and turn off the manual gas shut-off valve. Make sure the range is cold. Open the oven door. Lift the range at the front and slide it out of the cut-out opening without creating undue strain on the flexible gas conduit. Make sure not to pinch the flexible gas conduit at the back of the range when replacing the unit into the cut-out opening. Close the door and switch on the electrical power and gas to the range.

6. Range Placement

⚠ CAUTION To eliminate the risk of burns or fire from reaching over heated surface units, cabinet storage space located above the range should be avoided. If cabinet storage space is to be provided, the risk can be reduced by installing a range hood that projects horizontally a minimum of 5" (12.7 cm) beyond the bottom of the cabinet.

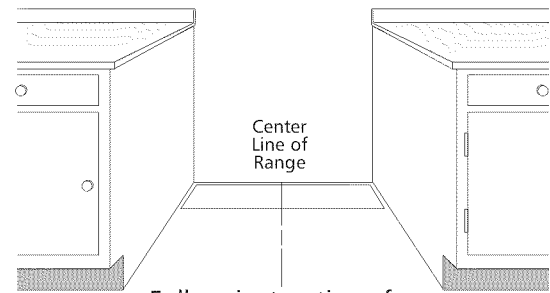


Figure 5

If range will be installed with a cabinet on both sides, draw a center line on the floor between the cabinets (see figure 5). If back of range will not be flush with the wall (the location of the outlet may not allow the range to be positioned against the wall), draw a line on the floor where the back edge of the range will be. Now install anti-tip bracket (see "Anti-Tip Bracket Installation", page 8).

If range will be installed with a cabinet on one side only, move the range into final position. Draw a line on the floor along the side of the range that is not against the cabinet. If back of range will not be flush with the wall (the location of the outlet may not allow the range to be positioned against the wall), draw a line on the floor where the back edge of the range will be. Now install anti-tip bracket (see "Anti-Tip Bracket Installation", page 8).

If range will not be installed against a cabinet, move range into final position. Draw a line on the floor along both sides of the range. If back of range will not be flush with the wall (the location of the outlet may not allow the range to be positioned against the wall), draw a line on the floor where the back edge of the range will be. Now install anti-tip bracket (see "Anti-Tip Bracket Installation", page 8).

36" GAS RANGE INSTALLATION INSTRUCTIONS

7. Range Installation

1. The back of the range may be installed directly against the wall.
2. To reduce possible scorching of vertical walls and to minimize potential fire hazards under abnormal surface unit use conditions such as high heat or no pans and to conform to Agency requirements:
 - A minimum of 7" (17.8 cm) spacing should be provided on both sides of the cooktop.

! WARNING

Excessive Weight Hazard

- Use 2 or more people to move and install range.
- Failure to follow this instruction can result in back or other injury.

7.1 Leveling the Range

1. Install an oven rack in the center of the oven.
2. Place a level on the rack (see Figure 6). Take 2 readings with the level placed diagonally in one direction and then the other. Level the range, if necessary, by adjusting the 4 leveling legs with a wrench (see Figure 11).
3. Slide the range to its final position and double check for levelness. If the range is not level, pull unit out and readjust leveling legs, or make sure floor is level.

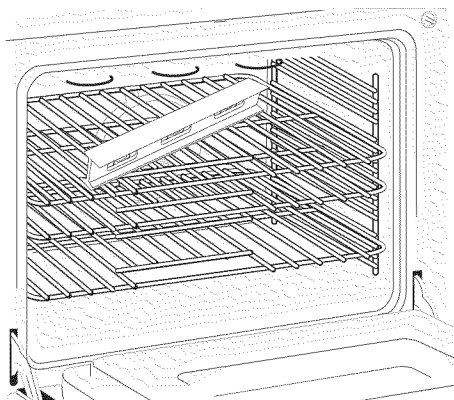


Figure 6

7.2 Check Operation

Refer to the Use and Care Guide and the Electronic Oven Control Guide packaged with the range for operating instructions and for care and cleaning of your range.

Remove all packaging from the oven before testing.

1. Burner Bases and Burner Caps

This range is equipped with sealed burners as shown (Figure 7). All pieces are at their place. Take note where they are. **Remove all packaging material located under the Dual Surface burner head.** Make sure the burner is properly aligned and leveled. **NOTE:** There are no burner adjustments necessary on this range.

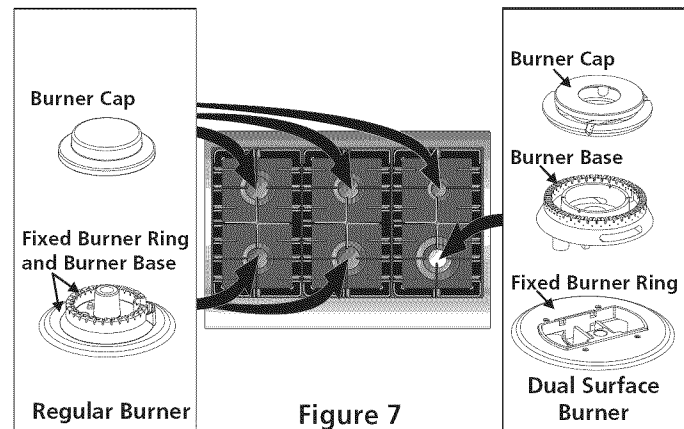


Figure 7

2. Turn on Electrical Power and Open Main Shutoff Gas Valve

3. Check the Igniters

Operation of electric igniters should be checked after range and supply line connectors have been carefully checked for leaks and range has been connected to electric power. To check for proper lighting:

- a. Push in and turn a surface burner knob to the LITE position. All electronic surface igniters will spark at the same time. However, only the burner you are turning on will ignite.
- b. The surface burner should light once the flow of gas reached the surface burner. Each burner should light within four (4) seconds in normal operation after air has been purged from supply lines. Visually check that burner has lit.
- c. Once the burner lights, the control knob should be rotated out of the LITE position.

There are separate ignition devices for each burner. Try each knob separately until all burner valves have been checked.

36" GAS RANGE INSTALLATION INSTRUCTIONS

4. Adjust the "LOW" Setting of Regular Burner (see figure 7) on the Surface Burner Valves (Figure 8):

- Push in and turn control to LITE until burner ignites.
- Quickly** turn knob to LOWEST POSITION.
- If burner goes out, reset control to OFF.
- Remove the surface burner control knob and decorative ring.
- Insert a thin-bladed screwdriver into the hollow valve stem and engage the slotted screw inside. Flame size can be increased or decreased by turning the screw. Turn counterclockwise to increase flame size. Turn clockwise to decrease flame size. Adjust flame until you can quickly turn knob from LITE to LOWEST POSITION without extinguishing the flame. Flame should be as small as possible without going out.

Note: Air mixture adjustment is not required on surface burners.

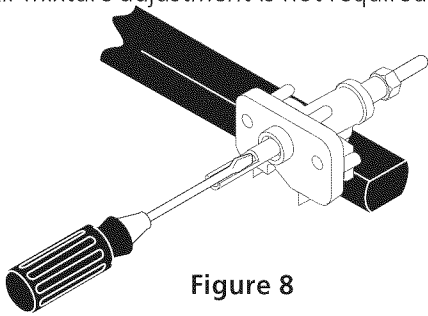


Figure 8

5. Adjust the "LOW" Setting of the Dual Burner (see Figure 7) on the Surface Burner Valve (Figure 9):

Note: On the dual valve the low setting of each portion (rear portion of bridge burner and the center portion of bridge burner) should be adjusted individually.

- Push in and turn control to LITE until the rear portion of the bridge burner ignites only.
- Quickly** turn knob to LOWEST POSITION.
- If burner goes out, reset control to OFF.
- Remove the surface burner control knob.
- The inner portion of the dual burner flame size can be increased or decreased by turning screw **A** (see Figure 9). Use screw **B** to adjust the flame size of the outer portion of the dual burner. Turn counterclockwise the screw to increase flame size. Turn clockwise the screw to decrease flame size. Adjust flame until you can quickly turn knob from LITE to LOWEST POSITION without extinguishing the flame. Flame should be as small as possible without going out.

Note: Air mixture adjustment is not required on surface burners.

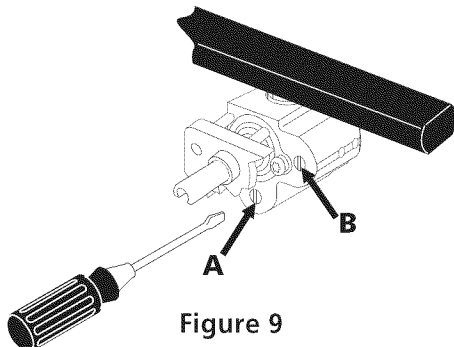


Figure 9

When All Hookups are Complete

Make sure all controls are left in the OFF position.

Before You Call for Service

Read the Before You Call for Service Checklist and operating instructions in your **Use and Care Guide**. It may save you time and expense. The list includes common occurrences that are not the result of defective workmanship or materials in this appliance.

Refer to your **Use and Care Guide** for Electrolux Service phone numbers, or call **1-877-4ELECTROLUX (1-877-435-3287)**.

36" GAS RANGE INSTALLATION INSTRUCTIONS

Important Safety Warning

To reduce the risk of tipping of the range, the range must be secured to the floor by the properly installed anti-tip bracket and screws packed with the range. These parts are located in a plastic bag in the oven. This gas range has two brackets. Failure to install the bracket will allow the range to tip over if excessive weight is placed on an open door or if a child climbs upon it. Serious injury might result from spilled hot liquids or from the range itself.

Follow the instructions below to install the anti-tip bracket.

If range is ever moved to a different location, the anti-tip bracket must also be moved and installed with the range.

Tools Required:

- 5/16" (8 mm) Nut driver or Flat Head Screwdriver
- Adjustable Wrench
- Electric Drill
- 3/16" (4.8 mm) Diameter Drill Bit
- 3/16" (4.8 mm) Diameter Masonry Drill Bit (if installing in concrete)

Anti-Tip Bracket Installation

1. The anti-tip bracket must be installed on the right **and** left side at back of the range.
2. The anti-tip bracket supports are attached to the floor at the back. When fastening to the floor, be sure that screws do not penetrate electrical wiring or plumbing. The screws provided will work in either wood or concrete.
3. Unfold paper template and place it flat on the floor with the back and side edges positioned exactly where the back and sides of range will be located when installed. (Use the diagram in figure 10 to locate

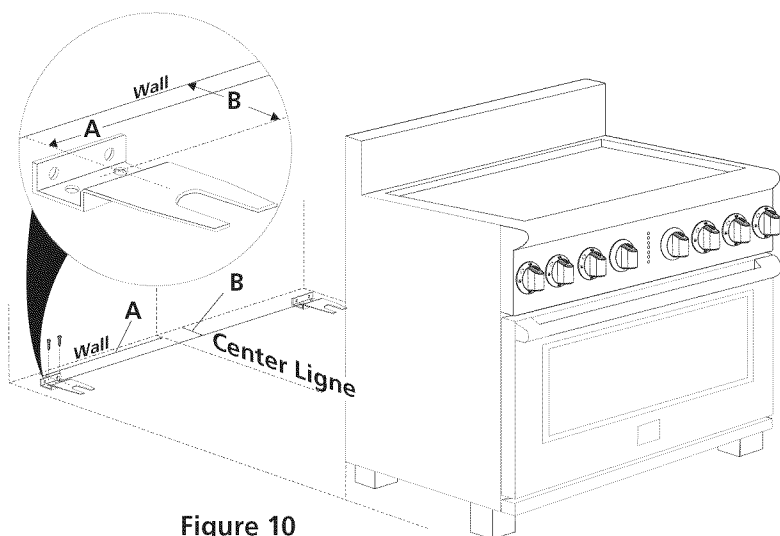


Figure 10

Note: Install the anti-tip bracket on the right **and** left side

bracket if template is not available.)

4. Mark on the floor the location of the mounting holes shown on the template (right and left position). For easier installation, 3/16" (4.8 mm) diameter pilot holes 1/2" (1.3 cm) deep can be drilled into the floor.
5. Remove template and place bracket on floor (see figure 10). Line up holes in bracket with marks on floor and attach the bracket using the screws provided. Brackets must be secured to solid floor. If attaching to concrete floor, first drill 3/16" (4.8 mm) dia. pilot holes using a masonry drill bit.
6. Level range if necessary, by adjusting the 4 leveling legs with an adjustable wrench. Loosen the screw which fixes the decorative leg and lift it to reach the leveling leg. Turn the leveling leg counterclockwise to raise the range or clockwise to lower the range (see Figure 11). Replace the decorative legs at your convenience.
7. Before sliding the range to its final position; take note of the serial and model numbers for future reference. Slide range into place making sure rear leg is trapped by the bracket. Range may need to be shifted slightly to one side as it is being pushed back to allow rear leg to align with bracket.
8. After installation, visually verify that the anti-tip brackets are engaged.

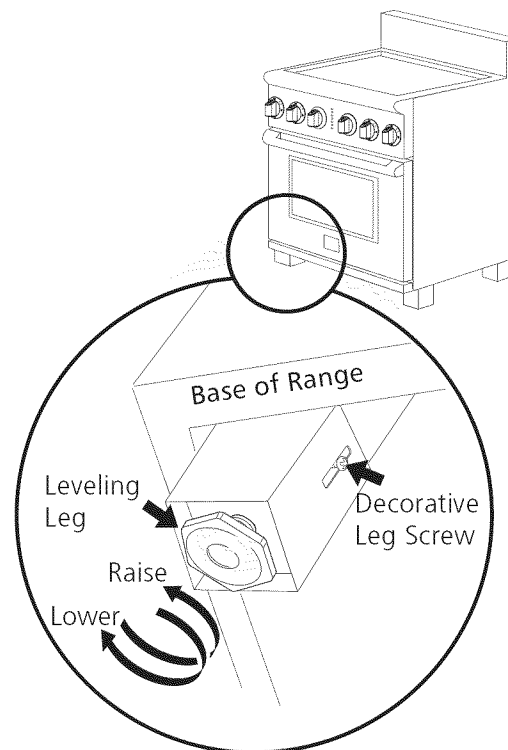


Figure 11

	A	B
36" Range	14 5/16 (36.4 cm)	1 5/8 (4.1 cm)

INSTRUCCIONES DE INSTALACION PARA LA ESTUFA DE GAS

LA INSTALACION Y EL SERVICIO DEBEN SER EFECTUADOS POR UN INSTALADOR CALIFICADO.
IMPORTANTE: GUARDE ESTAS INSTRUCCIONES PARA USO DEL INSPECTOR LOCAL DE ELECTRICIDAD.
LEA Y GUARDE ESTAS INSTRUCCIONES PARA REFERENCIA FUTURA.
OBSERVE CÓDIGOS GOBERNANTES Y ORDENANZAS.

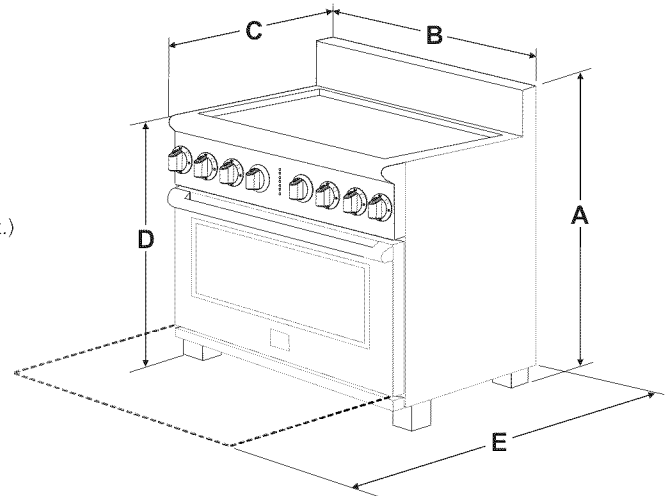
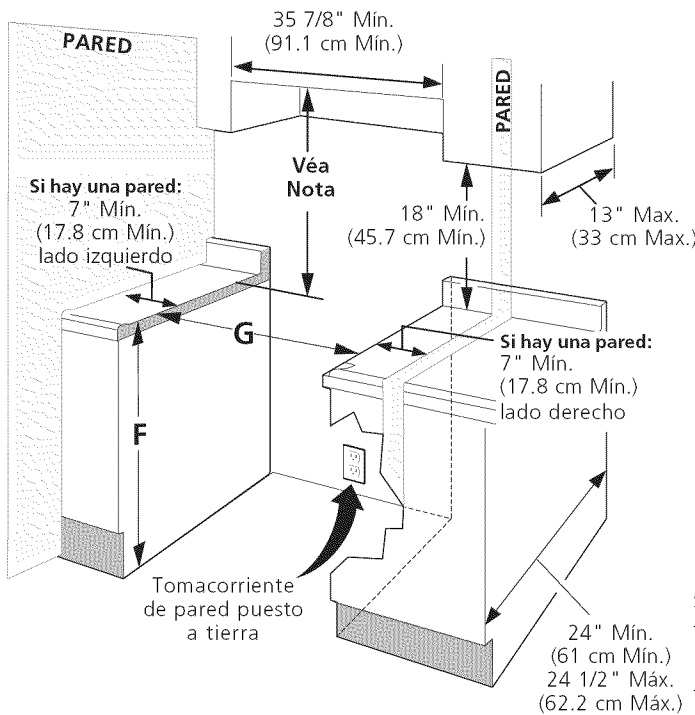


⚠️ ADVERTENCIA Si la información contenida en este manual no es seguida exactamente, puede ocurrir un incendio o explosión causando daños materiales, lesión personal o la muerte.

PARA SU SEGURIDAD:

- No almacene ni utilice gasolina u otros vapores y líquidos inflamables en la proximidad de éste o de cualquier otro electrodoméstico.
- **QUE DEBE HACER SI PERCIBE UN OLOR A GAS:**
 - No trate de encender ningún electrodoméstico.
 - No toque ningún interruptor eléctrico; no use ningún teléfono en su edificio.
 - Llame a su proveedor de gas desde el teléfono de un vecino. Siga las instrucciones del proveedor de gas.
 - Si no logra comunicarse con su proveedor de gas, llame al departamento de bomberos.
- La instalación y el servicio de mantenimiento deben ser efectuados por un instalador calificado, la agencia de servicio o el proveedor de gas.

Nota: Para electrodomésticos instalados en el estado de Massachussets. Vea página 12.



NOTA: Un espacio mínimo de 28" (71.1 cm) entre la superficie de la estufa y el fondo del armario cuando el fondo del armario de madera o metal está protegido por no menos de 1/4" (0.64 cm) de madera resistente al fuego cubierta por una lámina metálica de MSG, número 28, 0.015" (0.4 mm) de acero inoxidable, 0.024" (0.6 mm) de aluminio, ó 0.02" (0.5 mm) de cobre.

Un espacio mínimo de 34" (86.4 cm) cuando el armario no está protegido.

No pellizque el cordón eléctrico entre la estufa y la pared.

No selle la estufa a los armarios laterales.

A. ALTURA	B. ANCHO	C. PROFUNDIDAD AL FRENTE DE LA ESTUFA	D. ALTURA DE LA CUBIERTA	E. PROFUNDIDAD CON PUERTA ABIERTA	F. ALTURA DE MOSTRADOR	G. ANCHO MÍNIMO PARA LA ABERTURA
41 5/8" (105.7 cm) Min. 42 5/8" (108.3 cm) Max.	35 7/8" (91.2 cm)	27 1/2" (69.9 cm)	35 3/4" (90.8 cm) Min. 36 3/4" (93.3 cm) Max.	47 3/8" (120.3 cm)	36" (91.4 cm) Standard 35 3/4" (90.8 cm) Min.	36 1/16" (91.6 cm)

El diagrama del cableado de este modelo está incluido en esta manual (vea la pagina 20)

P/N 318201777 (0805) Rev. A

Impreso en los Estados Unidos

English - pages 1-8; Español - páginas 9-16; Notas - páginas 17-19;

Diagrama de la instalación alámbrica - página 20

IMPORTANTES INSTRUCCIONES DE SEGURIDAD

Instalación de esta estufa debe cumplir con todos los códigos locales, o en ausencia de códigos locales con el Código Nacional de Gas Combustible ANSI Z223.1/NFPA no.54.

La instalación de aparatos diseñados para instalación en casas prefabricadas (móviles) debe conformar con el Manufactured Home Construction and Safety Standard, título 24CFR, parte 3280 [Anteriormente el Federal Standard for Mobil Home Construction and Safety, título 24, HUD (parte 280)] o cuando tal estándar no se aplica, el Standard for Manufactured Home Installation 1982 (Manufactured Home sites, Communities and Setups), ANSI Z225.1/NFPA 501A-edición más reciente, o con los códigos locales.

Esta estufa ha sido diseñada y certificada por el organismo CSA Internacional. Como en cualquier electrodoméstico donde se use gas y se genere cierto calor, existen diversas precauciones de seguridad que deben ser seguidas. Usted encontrará esta lista de precauciones en el manual de Uso y Cuidado, por favor léalas cuidadosamente.

- **Asegúrese de que la estufa sea instalada y conectada a tierra en forma apropiada por un instalador calificado o por un técnico.**
- **Esta estufa debe ser eléctricamente puesta a tierra de acuerdo con los códigos locales, o en su ausencia, con el Código Eléctrico Nacional ANSI/NFPA No. 70, última edición.**
- **Asegúrese de que el material que recubre las paredes alrededor de la estufa, pueda resistir el calor generado por la estufa.**
- **Antes de instalar la estufa en un área cuyo piso este recubierto con linóleo u otro tipo de piso sintético, asegúrese de que éstos puedan resistir una temperatura de por lo menos 90°F sobre la temperatura ambiental sin provocar encogimiento, deformación o decoloración.** No instale la estufa sobre una alfombra al menos que coloque una plancha de material aislante de por lo menos 1/4 pulgada, entre la estufa y la alfombra.

⚠ ADVERTENCIA No obstruya el flujo del aire de combustión en la ventilación del horno ni tampoco alrededor de la base o debajo del panel inferior delantero de la estufa. Evite tocar las aberturas o áreas cercanas de la ventilación, ya que pueden estar muy calientes durante el funcionamiento del horno. La estufa requiere aire fresco para la combustión apropiada de los quemadores.

⚠ ADVERTENCIA Nunca deje niños solos o desatendidos en un área donde un electrodoméstico está siendo usado. A medida que los niños crecen, enséñeles el uso apropiado y seguro para todos los electrodomésticos. Nunca deje la puerta del horno abierta cuando la estufa está desatendida.

⚠ ADVERTENCIA No se pare, apoye o sienta en las puertas o cajones de esta estufa pues puede resultar en serias lesiones y puede también causar daño a la estufa.

- **No almacene artículos que puedan interesar a los niños en los gabinetes sobre la estufa.** Los niños pueden quemarse seriamente tratando de trepar a la estufa para alcanzar estos artículos.
- **Los gabinetes de almacenamiento sobre la estufa deben evitarse, para eliminar la necesidad de tener que pasar sobre los elementos superiores de la estufa para llegar a ellos.**
- **Ajuste el tamaño de la llama de los quemadores superiores de tal manera que ésta no sobrepase el borde de los utensilios de cocinar.** La llama excesiva es peligrosa.
- **No use el horno como espacio de almacenaje.** Esto creará una situación potencialmente peligrosa.
- **Nunca use la estufa para calentar el cuarto.** El uso prolongado de la estufa sin la adecuada ventilación puede resultar peligroso.
- **No almacene ni utilice gasolina u otros vapores y líquidos inflamables en la proximidad de éste o de cualquier otro electrodoméstico eléctrico.** Puede provocar incendio o explosión.
- En caso de una interrupción del servicio eléctrico, es posible de encender los quemadores de superficie a mano. Para encender un quemador de superficie, acerque un fósforo encendido a la cabezal del quemador, y gire rápidamente el botón de control de superficie a **Med**. Tenga cuidado al encender los quemadores a mano.
- **Retire el sartén asador, alimentos o cualquier otro utensilio antes de ajustar un ciclo de auto-limpieza en el horno.** Limpie el exceso de derrames. Siga las instrucciones en manual de Uso y Cuidado.
- **A diferencia de otras cubiertas a gas, ESTA CUBIERTA no es removible.** No intente remover esta cubierta.

Instrucciones especiales para los electrodomésticos instalados en el estado de Massachussets: Este electrodoméstico puede ser solamente instalado en el estado de Massachussets por un plomero calificado o instalador de gas con licencia en el estado de Massachussets. Cuando se utilice un conector flexible de gas, éste no debe de exceder 3 pies (36 pulgadas) de largo. Una válvula manual de tipo "T" debe de instalarse en la línea de alimentación de gas hacia este electrodoméstico.

⚠ ADVERTENCIA

- Todas las estuffas pueden volcarse.
- Esto podría resultar en lesiones personales.
- Instale el dispositivo antivuelco provisto con esta estufa.

Para reducir el riesgo de que se vuelque la estufa, hay que asegurarla adecuadamente colocando Los soportes antivuelco que se proporcionan. Para comprobar si estos estan instalados y apretados correctamente, tome el borde trasero superior de la estufa y cuidadosamente inclínela hacia adelante para asegurarse que la estufa esté anclada.



INSTRUCCIONES DE INSTALACION PARA LA ESTUFA DE GAS

Notas importantes para el Instalador

1. Lea todas las instrucciones contenidas en este manual antes de instalar la estufa.
2. Saque todo el material usado en el empaque del compartimiento del horno antes de conectar el suministro eléctrico a la estufa.
3. Observe todos los códigos y reglamentos pertinentes.
4. Deje estas instrucciones con el comprador.
5. Nota: Para el correcto funcionamiento en lugares superiores a los 2000 ft, el régimen del mecanismo debe reducirse un 4% por cada 1000 ft sobre el nivel del mar.

Nota Importante para el Consumidor

Conserve estas instrucciones y el Manual del Usuario para referencia futura.

Artículos Disponibles Opcionales:

- Una Kick plata de Acero Inoxidable.
- Un empaque de perillas negro.

Estos juegos se pueden ordenar para comprar mediante Service Center 1-877-4ELECTROLUX (1-877-435-3287).

1. Ubicación del Número de Modelo y de Serie

La placa de serie se encuentra en la parte trasera de la estufa

Cuando haga pedidos de repuestos o solicite información con respecto a su estufa, esté siempre seguro de incluir el número de modelo y de serie y el número o letra del lote de la placa de serie de su estufa.

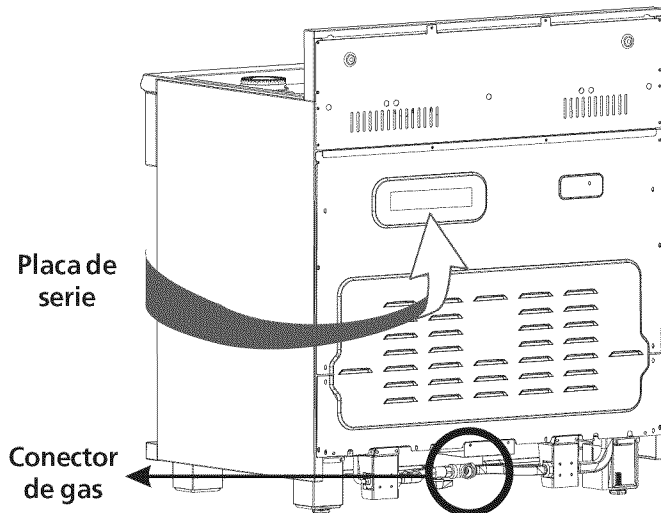


Figura 1

2. Requisitos eléctricos

120 voltio, 60 Hertzio, circuito dedicado apropiadamente puestos a tierra protegido por un circuito de amperio o fusible de demora de tiempo de 15 amp. **Nota:** no es recomendado instalarlo con un Interruptor (GFI) de puesta a tierra.

No utilice una extensión con esta estufa.

Instrucciones de puesta a tierra

IMPORTANTE Por favor lea con cuidado.

Para la seguridad personal, este aparato debe ser puesto a tierra apropiadamente.

El cable del suministro eléctrico de esta estufa está equipado con un enchufe de tres patillas (para puesta a tierra) que coincida con un enchufe de pared estándar con puesta a tierra de tres patillas para minimizar la posibilidad que se produzcan descargas eléctricas.

El cliente deberá encargarse a un técnico para asegurarse de que el enchufe se encuentra debidamente conectado a tierra y polarizado.

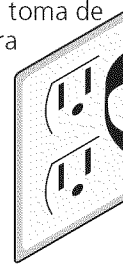
En lugares en los que haya un enchufe de pared estándar de dos patillas, el cliente tendrá responsabilidad directa y la obligación de reemplazarlo por un enchufe de pared de tres patillas debidamente cableado a tierra.

Bajo ninguna circunstancia, corte, retire o deribe la tercera patilla (de toma de tierra) del cable del suministro de energía eléctrica.

⚠ ADVERTENCIA Desenchufa el cable del suministro de energía eléctrica del enchufe de pared antes de mantener la estufa.

Método preferido

Enchufe de pared con toma de tierra



No corte, retire o deribe, bajo ninguna circunstancia, la patilla de la toma de tierra del enchufe

Cable de suministro eléctrico con enchufe con toma de tierra

Figura 2

⚠ ADVERTENCIA

Riesgo de Choque Eléctrico

- Se requiere una conexión a tierra en este electrodoméstico.
- No utilizar la alimentación de gas para la conexión a tierra.

El no seguir cualquiera de las advertencias aquí mencionadas, podría resultar en un incendio, choque eléctrico o lesiones.

3. Instalación de la alimentación de gas

Esta unidad ha sido ajustada de fábrica para operar con una tubería para gas natural de 4" (1.0 kPa). Un regulador de presión de conversión está conectado a la válvula distribuidora y DEBE ser conectado en serie con la tubería de suministro de gas.

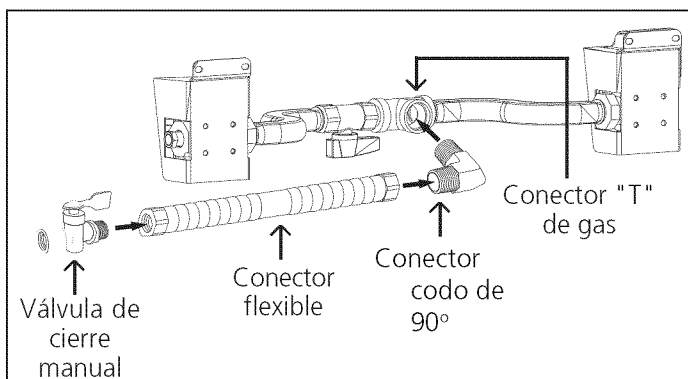
Para la operación apropiada, la máxima presión de entrada al regulador no debe exceder la presión de una tubería de agua de 14 pulgadas (3.5 kPa).

La presión de entrada al regulador debe ser por lo menos 1 pulgada más grande que la válvula distribuidora (.25 kPa). El regulador ha sido ajustado para gas natural a 4 pulgadas de presión para la válvula distribuidora (1.0 kPa). La presión de entrada debe ser por lo menos de 5 pulgadas (1.25 kPa). Para propano líquido a 10 pulgadas de presión para la válvula distribuidora (2.5 kPa) la presión de entrada debe ser por lo menos de 11 pulgadas (2.75 kPa).

La tubería deberá ser equipada con una válvula de cierre aprobada (vea Figura 3 & 4). Esta válvula debe ubicarse en la misma habitación que la estufa en un lugar que permita una una facilidad de abrir y cerrar. No bloquee el acceso a la válvula de cierre. La válvula abre o cierra es para abrir o cerrar el suministro de gas al aparato. Abra la válvula de cierre en la línea de suministro de gas. Espere unos minutos a que el gas pase por el tubo.

El suministro de gas entre la válvula de cierre y el regulador se puede conectar con tubería rígida o con tubería flexible unión metálica conectada y aprobada por la AGA/CGA donde los códigos locales permiten.

La tubería del suministro de gas puede pasar por la pared lateral del armario derecho. El armario lateral derecho es un lugar ideal para la válvula de cierre principal.



Todas las conexiones deben de ser apretadas con una llave.

Figura 3

Monte el conector flexible desde el tubo de suministro de gas hasta el conector "T" de gas según este orden:

1. Válvula de cierre manual (no incluido)
2. Conector flexible (no incluido)
3. Conector codo de 90° (no incluido)
4. Conector "T" de gas (incluido)

Conexión del regulador

El regulador esta instalado en el electrodoméstico.

PRECAUCION Asegurese de no apretar demasiado la conexión. El sobre apretar la conexión puede romper el regulador u generar una fuga de gas y posiblemente un incendio o explosión.

La tubería de suministro de gas debe ser de 1/2" (1,27 cm) o 3/4" (1.9 cm) D.I.

El consumidor debe saber la posición de la válvula principal de cierre y tener acceso fácil a esta.

NOTA: No permita que el conducto se pellizque entre la pared y la estufa. Para verlo, saque el cajón.

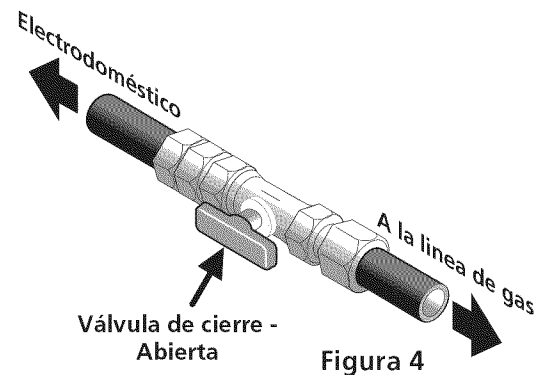


Figura 4

Use un compuesto para juntas de tubería apropiado para el uso con gas natural y de LP/Propano para sellar todas las conexiones de gas. Si se usan conectores flexibles asegúrese de que no estén enroscados.

La línea del suministro se debe equipar de una válvula de cierre manual aprobada. Esta válvula se debe localizar en el mismo cuarto que la estufa y debe estar en una localización que permita el fácil acceso para abrir y cerrar. No obstruya el acceso a la válvula. La válvula abre o cierra el suministro de gas a la estufa.

Una vez que regulador está en su lugar, abra la válvula en la línea del suministro de gas. Espere algunos minutos para que el gas pase a través de la línea de gas.

Asegúrese de que no haya escapes de gas. Después de conectar la estufa al suministro de gas, compruebe el sistema con un manómetro. Si no tiene un manómetro, abra el gas y use un detector de fugas líquido en todas las juntas y conexiones para averiguar si hay escapes de gas.

ADVERTENCIA No use flama para verificar que no hayan pérdidas de gas. La comprobación de pérdidas de gas con una flama puede resultar en un incendio o explosión.

Se debe sellar todas las aberturas en la pared o el piso donde la estufa esté instalada.

Apriete todas las conexiones si hace falta para prevenir fugas de gas en la superficie de la estufa o en la línea de suministro.

Desconecte esta estufa y su válvula individual de cierre del sistema del suministro de gas durante cualquier prueba de presión de ese sistema a presiones mayores de 1/2 psig (3.5 kPa o 14" (35,56 cm) columna de agua).

Aisle la estufa del sistema del suministro de gas cerrando su válvula manual de cierre individual durante cualquier prueba de presión del suministro del gas a presiones iguales a menos de 1/2 psig (3.5 kPa o 14" (35,56 cm) columna de agua).

4. Conversión para uso de Propano Líquido

Este aparato puede ser usado con gas natural o propano líquido. Ha sido ajustado en la fábrica para operar con gas natural solamente.

Si desea convertir su estufa para uso con propano líquido, use las espreas provistas ubicados en el bolso que contiene la literatura titulada "FOR LP/PROPANE GAS CONVERSION". Siga las instrucciones que vienen con las espreas.

La conversión debe efectuarse por un técnico de servicio capacitado, de acuerdo con las instrucciones del fabricante y con todos los códigos y requisitos de las autoridades correspondientes. El no seguir las instrucciones podría dar como resultado lesiones graves o daños a la propiedad. El organismo autorizado para llevar a cabo este trabajo asume la responsabilidad de la conversión.

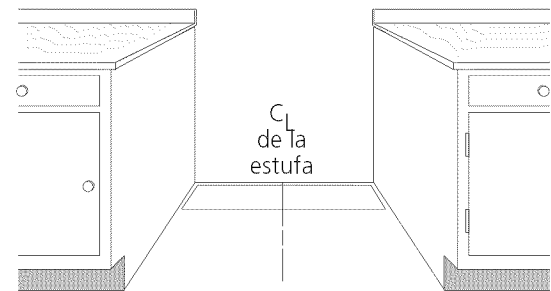
ADVERTENCIA La falta de una conversión apropiada puede resultar en lesiones graves y daños a la propiedad.

5. La mudanza del aparato para reparaciones o limpieza

Corte la corriente eléctrica a la estufa a la fuente de poder principal, y cierre la válvula manual de gas. Asegúrese de que la estufa esté fría. Abra la puerta del horno. Levante el frente de la estufa y deslícela fuera de la abertura sin crear tensión desmedida sobre el conducto flexible de gas. Asegúrese de no pellizcar el conducto flexible de gas detrás de la estufa al reinstalar la unidad en la abertura. Cierre la puerta y abra el gas y la corriente eléctrica a la estufa.

6. Estufa - Colocación

PRECAUCION Para eliminar el riesgo de quemaduras o fuego por el contacto de superficies sobrecalentadas, cualquier espacio de almacenaje en los gabinetes situados sobre la estufa debe ser evitado. Si un espacio de almacenaje debe de ser proporcionado, el riesgo puede ser reducido instalando una campana de estufa que proyecte horizontalmente e un mínimo de el 5" (12.7 centímetros).



Siga las instrucciones para el tipo de instalación que usted tenga

Figura 5

Si la estufa se va a instalar con armarios laterales, marque el centro de la abertura del armario en el piso (ver la figura 5). **Si la parte trasera de la estufa no estará a ras con la pared** (la ubicación del tomacorriente puede que no permita que la estufa se pegue a ras con la pared), marque el piso donde estará el borde trasero de la estufa. Ponga el patrón en el piso, alineando la línea del centro del patrón con la marca en el centro de la abertura del armario. Ponga el borde trasero del patrón a ras contra la pared trasera o la línea marcada para la parte de atrás de la estufa.

Si la estufa se va a instalar con un armario en un sólo un lado, mueva la estufa a su posición final. Marque el piso por el lado de la estufa que no estará contra el armario. **Si la parte trasera de la estufa no está al ras con la pared** (la ubicación del tomacorriente puede que no permita que la estufa se pegue al ras con la pared), marque el piso donde el borde trasero de la estufa estará. Ponga el patrón en el piso y alíne el lado del patrón con la línea marcada en el piso. Alíne la parte trasera del patrón con la pared trasera o la línea marcada para la parte de atrás de la estufa.

Si la estufa no será instalada junto a un armario, mueva la estufa a su posición final. Marque el piso por los dos lados de la estufa. **Si la parte trasera de la estufa no estará a ras con la pared** (la ubicación del tomacorriente puede que no permita que la estufa se pegue a ras con la pared), marque en el piso donde el borde trasero de la estufa estará. Ponga el patrón en el piso y alíne los lados del patrón con las líneas marcadas en el piso. Alíne la parte trasera del patrón con la pared trasera o la línea marcada para la parte trasera de la estufa.

7. Instalación de la estufa

1. La parte trasera de la estufa puede ser directamente instalada a ras con la pared trasera de la estructura.
2. Para reducir posibles marcas o rayas de las paredes verticales y minimizar los riesgos de choques eléctricos en caso de condiciones de uso anormales como alto calor o no cazuelas, y para conformar a los requisitos de A.G.A:
 - Un espacio mínimo de 7" (17.8 cm) debe de ser provisto en ambos lados de la plancha de cocinar.

⚠ ADVERTENCIA

Peligro de Peso Excesivo

- Use 2 personas o más para mover e instalar la estufa.
- Si no cumple con esta instrucción, usted podrá lesionarse la espalda u otra parte de su cuerpo.

7.1 Nivelación de la estufa

1. Coloque una parrilla del horno en el centro del horno.
2. Ponga un nivel sobre la parrilla (figura 6). Ponga un nivel sobre la parrilla. Tome dos lecturas con el nivel puesto diagonalmente en una dirección y después en la otra. Nivele la estufa, si es necesario, ajustando las 4 patas niveladoras con una llave de tuercas (vea la figura 11).
3. Deslice la estufa a su posición final y verifique dos veces la nivelación de la unidad. Si la estufa no esta nivelada, jale la unidad y reajuste las patas niveladoras, o asegúrese que su piso este nivelado.

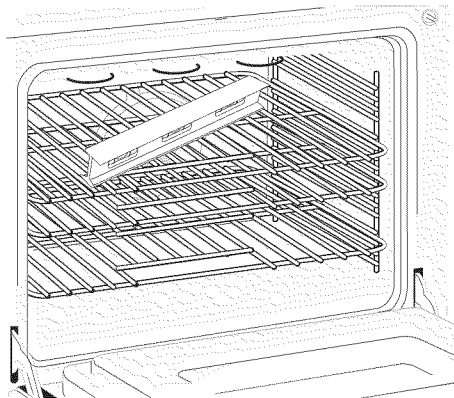


Figura 6

7.2 Comprobación del Funcionamiento

Consulte el Manual del Usuario incluido con la estufa para instrucciones de operación y instrucciones para el cuidado y limpieza de su estufa.

Quite todo el empaque de la unidad antes de comprobarla.

1. Bases y tapas de los quemadores.

Esta estufa esta equipada con quemadores sellados como se muestra más abajo (Figura 7). Todas las piezas están en su lugar. Tome nota en donde están. **Quite todo el material de protección localizado bajo la cabeza del quemador de dual.** **NOTA:** No hace falta ningún ajuste de quemador en esta estufa.

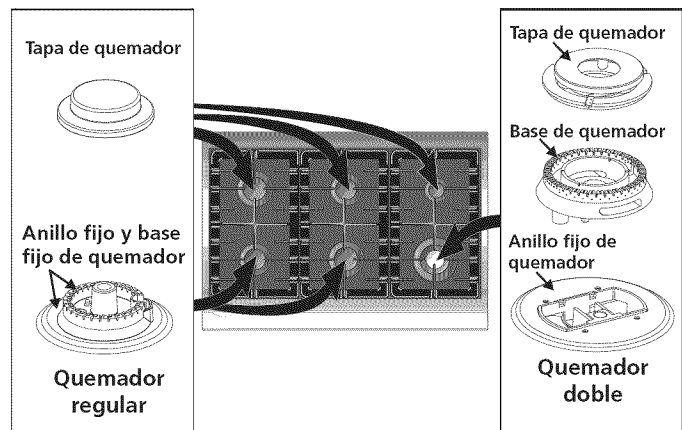


Figura 7

2. Encienda la corriente eléctrica y abra la válvula principal de alimentación.

3. Comprobación de los Encendedores

El funcionamiento de las bujías electrónicas desde ser comprobado una vez que los conectores del suministro de gas han sido verificados y no exista ningún tipo de fuga. Y el suministro de electricidad se conecte a la estufa.

Para verificar un encendido correcto:

- A. Presione y gire a una perilla a la posición de LITE. Todos las bujías electrónicas chispearán al mismo tiempo. Sin embargo, solamente el quemador que usted se está girando encenderá.
- B. El quemador se deberá encender en cuatro (4) segundos para un funcionamiento normal, luego de que el aire haya sido purgado de la tubería de suministro de gas. Controle visualmente que el quemador se hay encendido.
- C. Luego que el quemador se haya encendido, la perilla debe ser girada fuera de la posición LITE.

Cada quemador tiene su encendedor individual.

Controle las perillas separadamente hasta que todas las válvulas hayan sido controladas.

4. Ajuste bajo ("LO") para la válvula de los quemadores de superficie estandar (Figuras 7 y 8)

- a. Presione y gire el control hasta la posición LITE para prender los quemadores.

INSTRUCCIONES DE INSTALACION PARA LA ESTUFA DE GAS

- b. Gire **rápido**mente gire la perilla a la POSICION MAS BAJA.
- c. Si el quemador se apaga, reajuste el control a OFF.
- d. Retire la perilla y el anillo del quemador de superficie.
- e. Inserte un destornillador fino-aplanado en el orificio del vástago de la válvula e inserte en el tornillo ranurado. El tamaño de la llama puede aumentarse o disminuirse dándole vuelta al tornillo. Dé vuelta en sentido opuesto a las manecillas del reloj para aumentar el tamaño de la llama. Dé vuelta en sentido a las manecillas del reloj para disminuir la llama. Ajuste la llama hasta que usted puede dar vuelta rápidamente a la perilla de la posición LITE a la POSICIÓN MÁS BAJA sin extinguir la llama. La llama debe ser tan pequeña como sea posible sin apagarse.

Nota: El ajuste de la mezcla del aire no se requiere en los quemadores de superficie

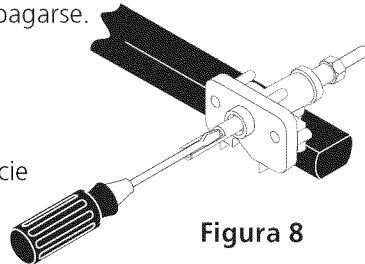


Figura 8

5. Ajuste bajo "LOW" para la válvula de quemador de superficie Dual (vea Figura 7 y 9)

Nota: En la válvula de quemador triple el ajuste «LOW» de cada porción (porción posterior del quemador puente y la porción de centro del quemador del puente) se debe ajustar individualmente.

- a. Presione y gire el control a la posición LITE hasta que la porción posterior del quemador puente se encienda.
- b. Gire **rápido**mente a la perilla a la POSICIÓN MÁS BAJA.
- c. Si el quemador se apaga, reajuste el control a OFF.
- d. Retire la perilla del quemador de superficie.

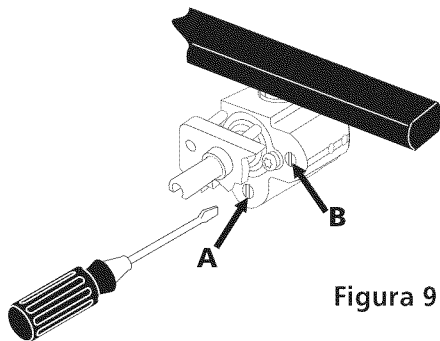


Figura 9

- e. El tamaño de la flama de la porción posterior del quemador puente puede aumentarse o disminuirse dándole vuelta al tornillo **A** (vea Figura 9). Utilice el tornillo **B** para ajustar el tamaño de la llama de la porción central del quemador puente o del quemador triple. Dé vuelta en sentido opuesto de las manecillas del reloj para aumentar el tamaño de la llama. Dé vuelta en sentido a las manecillas del reloj para

disminuir la llama. Ajuste la llama hasta que usted puede dar vuelta rápidamente a la perilla de la posición LITE a la POSICIÓN MÁS BAJA sin extinguir la llama. La llama debe ser tan pequeña como sea posible sin apagarse.

Nota: El ajuste de la mezcla del aire no se requiere en los quemadores de superficie.

Después de Terminar la Instalación

Asegúrese de que todos los controles estén en la posición OFF (apagada).

Antes de Llamar al Servicio

Lea la sección Lista de control de averías en su Manual del Usuario. Esto le podrá ahorrar tiempo y gastos. Esta lista incluye ocurrencias comunes que no son el resultado de defectos de materiales o fabricación de este artefacto.

Refiérase a su manual de Uso y Cuidado para la lista telefónica del servicio o llame al 1-877-4ELECTROLUX (1-877-435-3287).

INSTRUCCIONES DE INSTALACION PARA LA ESTUFA DE GAS

Importante Advertencia de Seguridad

Para reducir el riesgo de que la estufa se vuelque, es necesario asegurarla al piso instalando los soportes antivuelco y los tornillos suministrados con la estufa. Las piezas se encuentran en un saco de plástico en el horno. Si no se instalan los soportes antivuelco, la estufa se puede volcar si se coloca exceso de peso en una puerta abierta o si un niño se sube a ella. Se pueden ocasionar lesiones graves causadas por los líquidos calientes derramados o por la estufa misma.

Siga las instrucciones que más abajo se indican para instalar los soportes antivuelco.

Si la estufa es movida a otro lugar, los soportes antivuelco deben también ser movidos e instalados en la estufa.

Herramientas Necesarias:

Llave de tuerca de 5/16" (8 mm) o destornillador para tornillos de cabeza plana

Llave inglesa

Taladro eléctrico

Broca de 3/16" (4.8 mm) de diámetro

Broca para taladro de mampostería de 3/16" (4.8 mm) de diám. (si se está instalando en concreto).

Instrucciones de Instalación del Soporte Antivuelco

1. El soporte antivuelco debe de ser instalado en el lado derecho e izquierdo en la parte trasera de la unidad.
2. El soporte-base debe de fijarse al piso en la parte posterior. Cuando los fije al piso, asegúrese que los tornillos no toquen ningún cable eléctrico o instalaciones de plomería. Los tornillos provistos funcionaran en madera o concreto.
3. Desdoble la plantilla de papel y colóquela en el piso con la parte posterior y los bordes laterales colocados exactamente donde la parte posterior y los lados de la estufa serán localizados cuando este instalada. (utilice el diagrama en el cuadro 10 para situar el soporte si la plantilla no está disponible.)

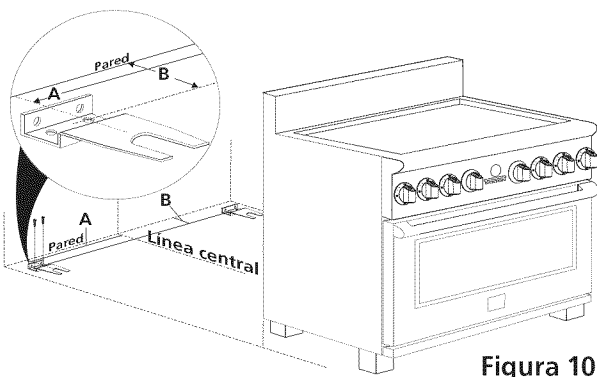


Figura 10

Note: El soporte antivuelco debe de ser instalado en el lado derecho e izquierdo en la parte trasera de la unidad.

4. Marque en el piso la localización de los agujeros de montaje demostrados en la plantilla (posición derecha y izquierda). Para una instalación más fácil, los agujeros 1/2" (1.3 centímetros) de diámetro y 3/16" (4.8 milímetros) de profundidad pueden perforarse en el piso.
5. Quite la plantilla y coloque los soportes en piso (véase figura 10). Alinee los agujeros en soporte con las marcas en piso y una el soporte usando los tornillos proporcionados. El soporte se debe asegurar al piso sólido. Si se ajusta a un piso concreto, primero taladre agujeros con un diámetro de 3/16" (4.8 milímetros) usando un taladro de la albañilería.
6. Nivele la estufa si es necesario, ajustando las 4 patas niveladoras con una llave ajustable. Afloje el tornillo que fija la pata decorativa y levántelo para alcanzar la pata de nivelación. Dé vuelta a la pata de nivelación a la izquierda para levantar la estufa o a la derecha para bajar la estufa (véase la figura 11). Reemplace las patas decorativas según su conveniencia.
7. Antes de deslizar la estufa hacia su posición final; tome la nota del número de serie y de modelo para referencia futura. Deslice la estufa a su lugar y asegúrese que las patas traseras estén ancladas en los soportes. La estufa podrá necesitar ser inclinada levemente hacia un lado mientras que se está empujando para permitir que las patas posteriores se alineen con los soportes.
8. Después de la instalación, verifique visualmente que los soportes antivuelco estén correctamente enganchados (anclados).

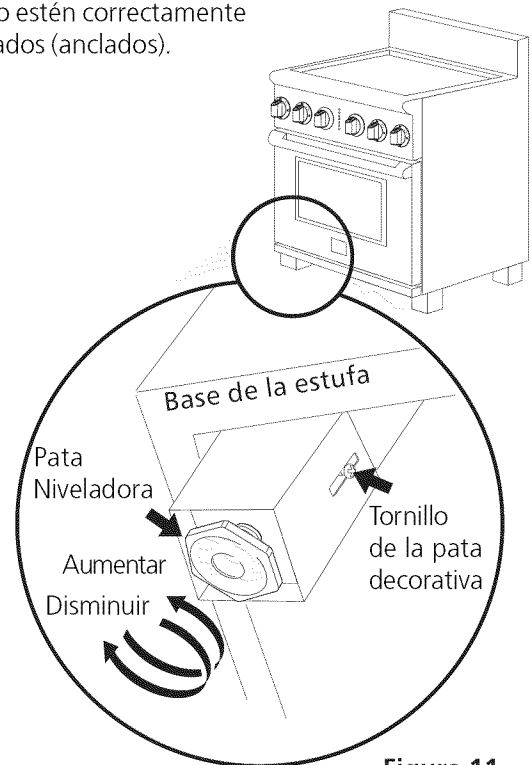
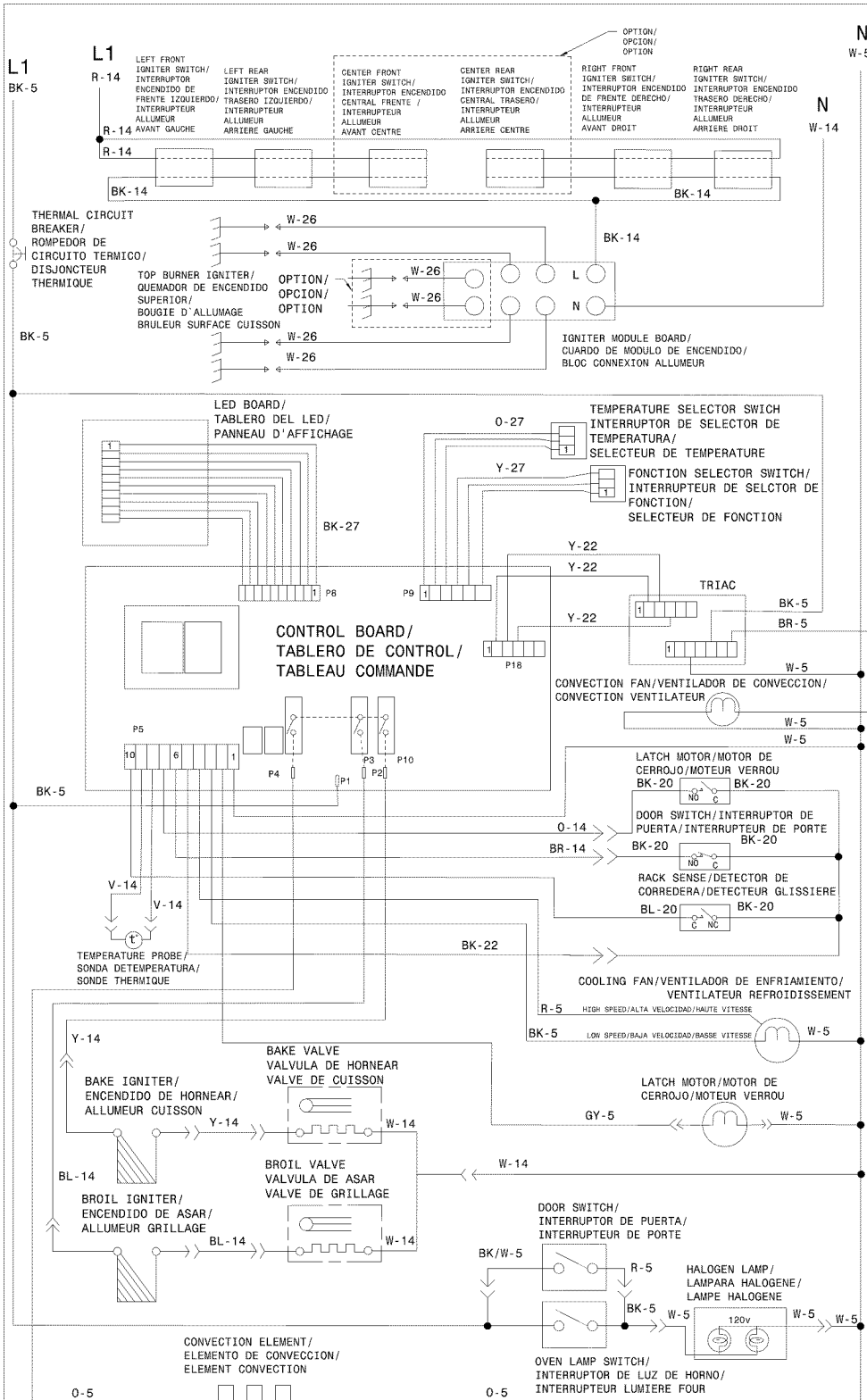


Figura 11

	A	B
Estufa 36"	14 5/16 (36.4 cm)	1 5/8 (4.1 cm)

WIRING DIAGRAM - DIAGRAMA DE LA INSTALACIÓN ALÁMBRICA



COLOR CODE/CODIGOS DE COLOR/CODE DE COULEUR
 GY. - GRAY/GRIS/GRIS
 G. - GREEN/VERDE/VERT
 W. - WHITE/BLANCO/BLANC
 R. - RED/ROJO/ROUGE
 O. - ORANGE/NARANJA/ORANGE
 Y. - YELLOW/AMARILLO/JAUNE
 BR. - BROWN/CAFE/BRUN
 BL. - BLUE/AZUL/BLEU
 BK. - BLACK/NEGRO/NOIR
 BR/W. - BROWN/WHITE //CAFE/BLANCO// BRUN/BLANC

CODE	GAUGE	TEMP. °C	CSA	UL
CODIGO	MEDIDA			
CODE	CALIBRE			
1	18	125	CL1251	3173
2	16	125	CL1251	3173
3	14	125	CL1251	3173
4	12	125	CL1251	3173
5	18	150	EXL-150	3321
6	16	150	EXL-150	3321
7	14	150	EXL-150	3321
8	12	150	EXL-150	3321
9	10	150	EXL-150	3321
10	18	200	SEW-1	3122
11	16	200	SEW-1	3122
12	12	250		3252
13	16	250		3252
14	20	150	EXL-150	3321
15	8	150	EXL-150	3321
16	8	60		
17	10	60		
18	10	200	SEW-1	3122
19	20	125	CL1251	3173
20	20	200	SEW-1	3122
21	22	125	CL-1252	3266
22	22	150		10109
23	18	200		3573
24	20	450		5107
25	16	450		5107
26	18	200		10202
27	22	150		10109

CAUTION: DISCONNECT POWER BEFORE SERVICING UNIT.
 LABEL ALL WIRES PRIOR TO DISCONNECTION WHEN SERVICING CONTROLS.
 WIRINGS ERRORS CAN CAUSE IMPROPER AND DANGEROUS OPERATION.
 VERIFY PROPER OPERATION AFTER SERVICING.

ATENCION: CORTAR LA CORRIENTE ANTES DE REALIZAR EL MANTENIMIENTO DEL ELECTRODOMESTICO.
 ETIQUETE TODOS LOS CABLES ANTES DE DESCONECTAR CUANDO HAGA EL SERVICIO A LOS CONTROLES.
 ERRORES AL VOLVER A ENSAMBLAR LOS CABLES PUEDE CAUSAR FALLAS U OPERACIONES PELIGROSAS.
 VERIFIQUE LA CORRECTA OPERACION DESPUES DEL SERVICIO.

ATTENTION: COUPEZ L'ALIMENTATION AVANT D'EFFECTUER LA REPARATION.
 IDENTIFIEZ TOUS LES FILS AVANT DE LES DEBRANCHER QUAND L'APPAREIL EST HORS SERVICE.
 LES ERREURS DE CONNECTION DE FILS PEUVENT CAUSER UN MAL FONCTIONNEMENT ET UN DANGER D'USAGE DE L'APPAREIL.
 VERIFIEZ LE BON FONCTIONNEMENT DE L'APPAREIL APRES LE SERVICE.