

Amana[®]

IC7 Bottom

Freezer

**Refrigerator Ice
Maker Kit**

**Installation and
Operating
Instructions**



Contents

Introduction	3
Safety Instructions	3
Materials Required	3
Parts	4
Procedure	6
Operating Instructions	9
Before Calling for Service	9
Warranty	10

Introduction



Recognize this symbol as a safety precaution



Caution
To avoid personal injury or property damage, observe all safety instructions.

Read entire manual before installing kit. All necessary tools and materials must be available prior to installation. Verify all listed parts are included in kit. If parts are missing, contact source from whom kit was purchased.

- Mechanical experience is required to install kit.
- Depending on installer's knowledge and skill, installation can take from 3 to 6 hours.
- If unable to solve a problem during installation, contact an **authorized** Amana® technician. Locate a Factory Service Center or independent authorized Amana® technician by calling **1-800-628-5782** inside U.S.A. and **1-319-622-5511** outside U.S.A. Service is at owner's expense.

Safety Instructions



WARNING

To avoid electrical shock which can cause severe personal injury or death, disconnect power to refrigerator before installing kit. After installing kit, connect power.



Caution

To avoid property damage, observe the following:

- Confirm water pressure to water valve is at least 20 pounds per square inch.
- Start nuts by hand to avoid cross threading. Finish tightening nuts using an adjustable wrench. Do not overtighten.
- Check carefully for water leaks prior to returning refrigerator to normal location and 24 hours after connection.

Materials Required

Important

- Before connecting ice maker, contact a plumber to connect copper tubing to household plumbing in compliance with local codes and ordinances.
- Amana Refrigeration, Inc. recommends using a saddle valve. Do not use self-piercing valve. Amana Refrigeration, Inc. is not responsible for property damage due to improper installation or water connection.

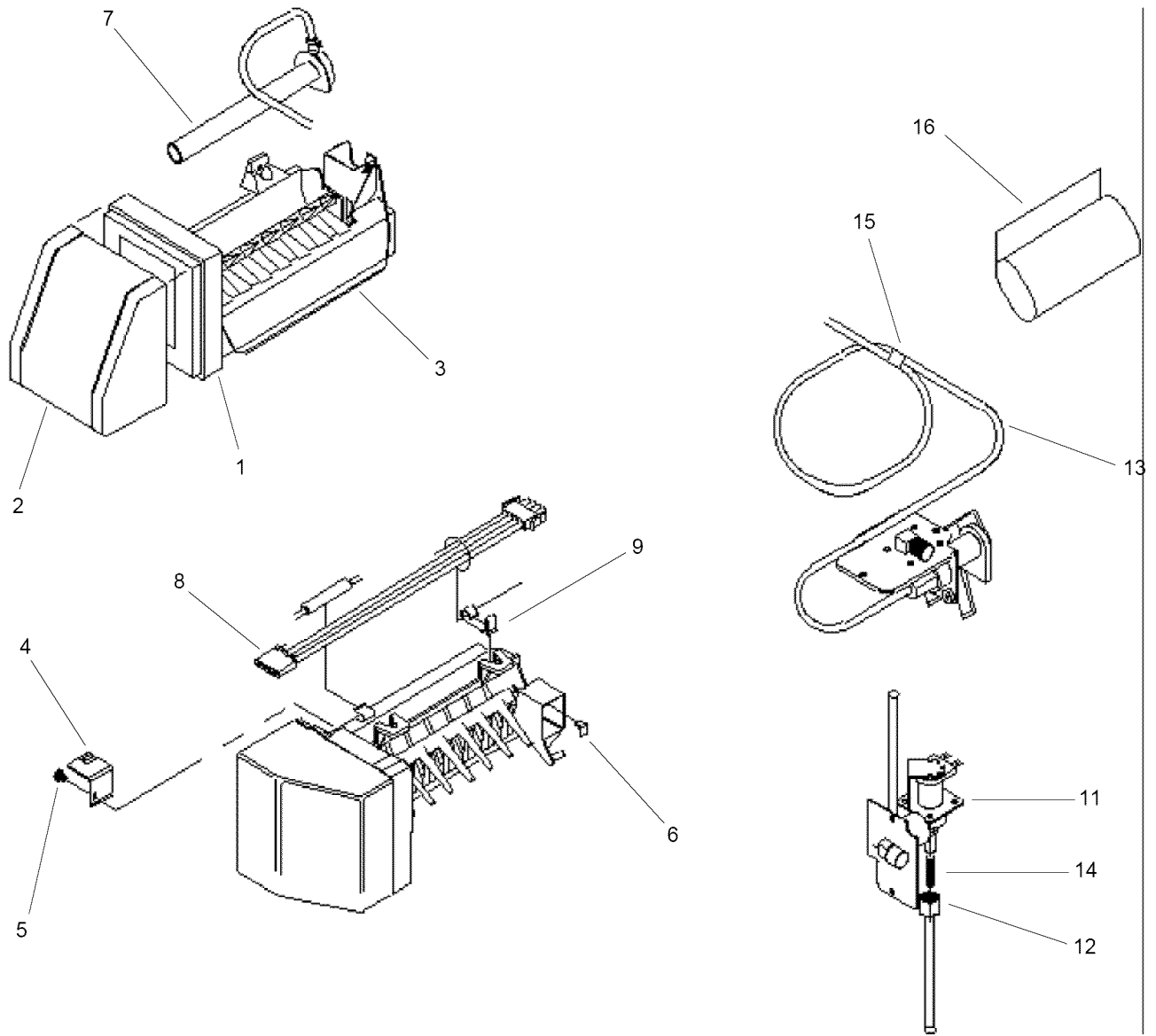
1/4" (6 mm) flexible copper tubing*.

*Length of copper tubing must reach from water supply connection plus an additional 8' (2 m) for service loop behind refrigerator. Tubing should be soft instead of rigid and ends should be free of burrs.

Parts

Use listed part numbers only when ordering replacement parts. Part numbers are not used in installation instructions.

Item	Description	Part Number	Quantity
1	Ice maker	D7824702	1
2	Ice maker cover	10519801	1
N/S	Warning label	A3036901	1
N/S	Diagnostic label	10834701	1
N/S	Label	10549601	2
3	Ice maker arm	10884401	1
4	Lower mounting bracket	B8391802	1
5	1/2" sheet metal screw	M0211017	1
6	Stainless steel clip	B5720301	1
7	Water fill tube elbow	10463201	1
8	Ice maker wire harness	D7813004	1
9	Ice maker wire harness clamp	10526701	1
N/S	Thermal fuse clip	10319801	1
10	5/8" sheet metal screw	M0211018	3
N/S	Button plug	M0311301	2
N/S	Oblong plug	A3124301	1
11	Water valve	10524606	1
12	Nut and sleeve	M0753001	1
13	1/4" plastic tubing	B5705325	1
14	Anti-kink spring	A1055101	1
N/S	Stainless steel insert	A3223101	1
N/S	Hose clamp	M0114003	1
N/S	Compression nut and sleeve	10244904	1
N/S	"P" clamp	M0102301	1
15	Plastic clip	M0104101	1
16	Installation and operating instructions	10527010	1



Procedure

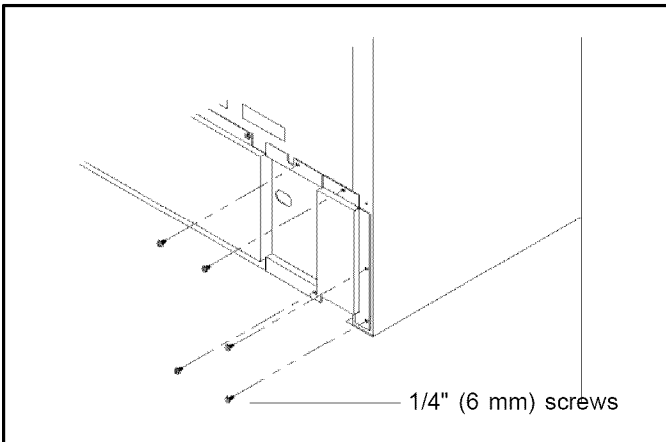
1. Turn off water supply to refrigerator.



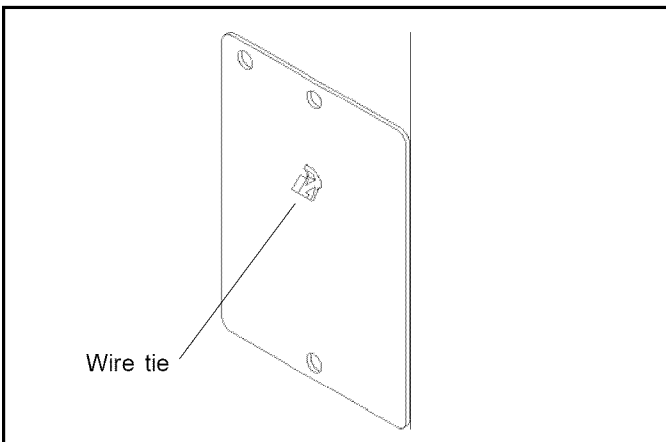
Caution

To avoid property damage, protect soft vinyl or other flooring with cardboard, rugs, or other protective material when moving refrigerator.

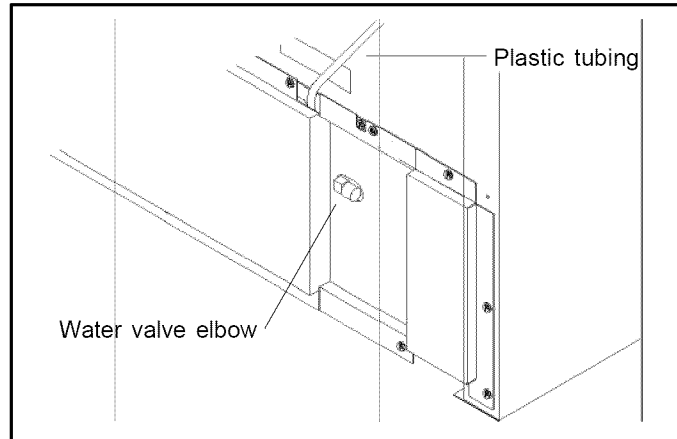
2. Move refrigerator away from wall.
3. Seal open end of copper tubing with masking tape to keep inside of tubing clean. Route copper tubing up to refrigerator through floor or interior wall behind refrigerator providing 3/8" (10 mm) holes as required. Copper tubing route must be above 35°F (1°C) to prevent water line from freezing.
4. Remove a section of the fiberboard back cover by removing screws with a 1/4" hex nut driver. Fold cover back to expose water valve mounting bracket and cover plate.



5. Remove water valve cover plate by removing 2 screws with a 1/4" hex nut driver. Discard water valve cover plate. Save screws. Use screws to install water valve.
6. Remove wires by pushing wire tie through hole in water valve cover plate with pliers. Do not cut wire tie near wires.

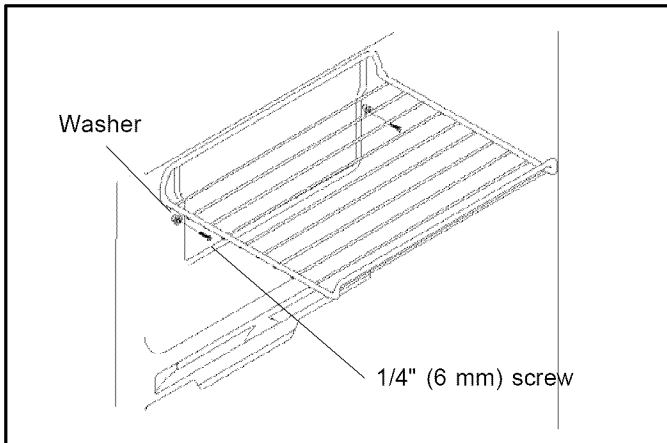


7. Connect wires to water valve. Place water valve on mounting bracket. Insert screws into top 2 holes in water valve cover plate and lower 2 holes in mounting bracket. Tighten screws with a 1/4" hex nut driver.
8. Replace fiberboard back cover by placing cover on refrigerator cabinet. Insert and tighten screws with a 1/4" hex nut driver. Confirm elbow on water valve protrudes through hole in back cover. Confirm plastic tubing is routed through cutout section on top of back cover.

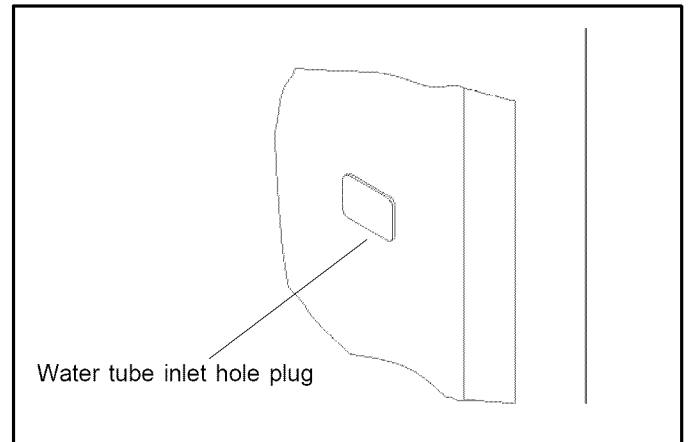


9. Remove tape from end of copper tubing. Put end of copper tubing into sink or bucket. Slightly turn on water supply to refrigerator. Water will be under considerable pressure. Allow water to run through copper tubing for 1 minute to flush out copper tubing. Turn off water supply to refrigerator when flushing is complete.
10. Remove plastic cap from water valve. Place brass nut and brass sleeve on copper tubing. Insert copper tubing into water valve inlet port. Connect brass nut on copper tubing to water valve inlet port with an adjustable wrench. Confirm copper tubing is secure by pulling on copper tubing.
11. Turn on water supply to refrigerator and check for leaks. Turn off water supply to refrigerator and correct any leaks. Repeat this process until no leaks are found, then completely turn on water supply to refrigerator.

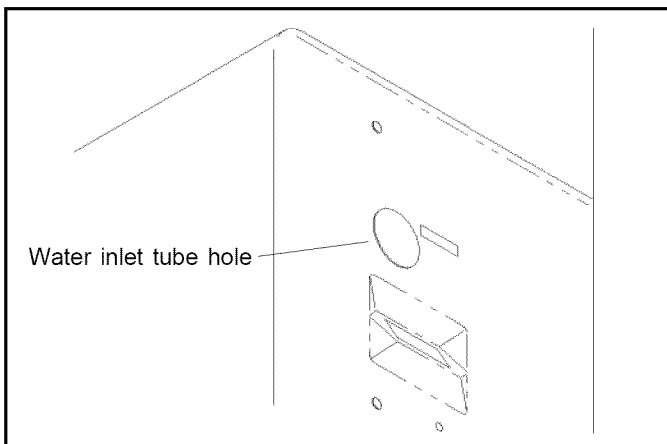
12. Remove ice service rack by lifting rack off plastic washers then pulling out. Remove screws with a 1/4" hex nut driver. Insert plugs into screw holes.



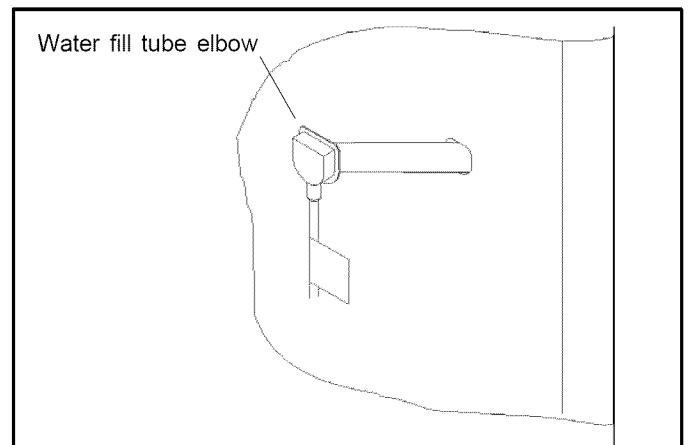
17. Remove water tube inlet hole plug on rear of refrigerator cabinet with a screwdriver covered with masking tape.



13. Locate electrical and water connection cover plate on upper left rear wall of freezer. Remove electrical and water connection cover plate by removing screw with a 1/4" hex nut driver. Discard electrical and water connection cover plate and screw.
 14. Insert oblong plug into cover mounting slot.
 15. Remove freezer shelf by pulling out. A sharp tug may be necessary. Remove basket by lifting and pulling out.
 16. Cut out sealing tape from water inlet tube hole, located on back wall, with a knife covered with masking tape.

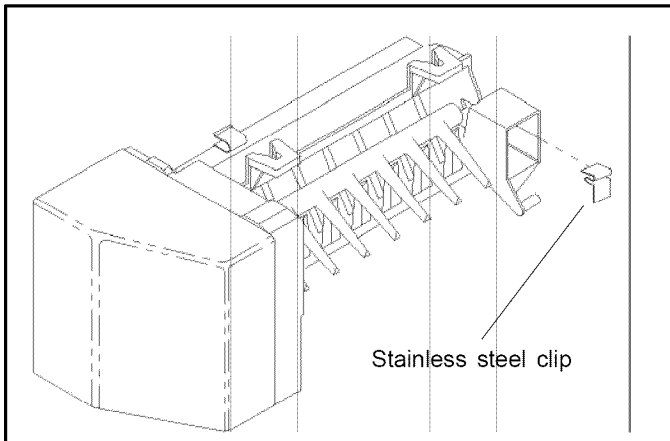


18. Cover end of water fill tube elbow with masking tape to prevent insulation beads from entering water fill tube elbow. Push water fill tube elbow through "U" shaped hole on back of refrigerator cabinet. Pull water fill tube elbow through hole in freezer. Remove masking tape from end of water fill tube elbow.
 19. Push gently on water fill tube elbow while twisting elbow slightly until elbow is firmly seated inside "U" shaped hole.



20. Remove ice maker from shipping carton. Ice maker is shipped with arm down. This is correct for ice production. Do not force arm down or up, past stop positions.

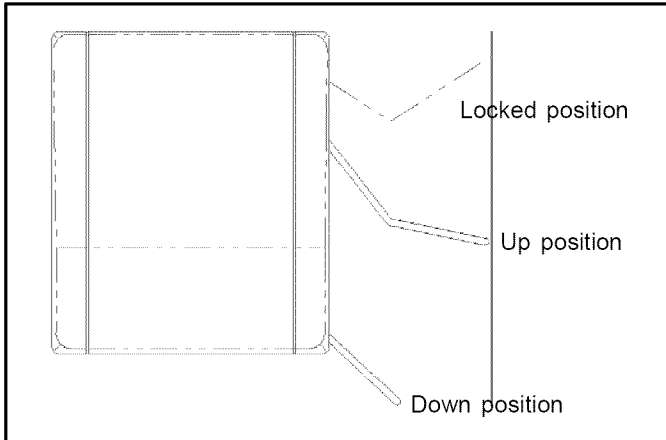
-
21. Slide stainless steel clip over wall of ice maker water cup.



22. Remove 3 button plugs from left freezer wall with a knife covered with masking tape. Discard plugs.
23. Start 5/8" (15 mm) sheet metal screw in top front hole on left wall with a 1/4" hex nut driver. Leave head out approximately 3/8" (9 mm).
24. Hold ice maker in position. Ice maker can only be installed one way. Do not drill additional holes. Insert wire harness plug into receptacle on rear wall until locking fingers on top and bottom of plug snaps into place. Slide ice maker hanger over sheet metal screw. Ease ice maker water cup toward end of water fill tube elbow. Water fill tube elbow fits under stainless steel clip. Water fill tube elbow must not be kinked. Water fill tube elbow should extend approximately 3/8" (9 mm) into ice maker water cup and must be secured under stainless steel clip.
25. Insert and tighten remaining 5/8" (15 mm) sheet metal screws with a 1/4" hex nut driver.
26. Replace freezer shelf by sliding in until back locks in place. Replace wire basket by sliding in. Position ice storage bucket on wire section of freezer shelf under ice maker. Confirm bucket is in the proper position.
27. Check for leaks at household water connection and water valve. Correct any leaks.
28. Create service loop using extreme care to avoid kinks. **Secure copper tubing to refrigerator cabinet using "P" clamp.**
29. Move refrigerator in place and level if necessary.

Operating Instructions

- Confirm ice bucket is in place and ice maker arm is down.



- After freezer section reaches normal temperature, ice maker fills with water and begins operating. Allow 24-48 hours after installation before first harvest of ice. Ice maker produces 7 to 9 harvests of ice in a 24-hour period under ideal conditions.
- After ice is formed, ice maker drops ice cubes into ice storage bucket. During ice production, ice maker arm raises and lowers. When ice storage bucket is full, ice maker arm turns ice maker off. Discard first 3 harvests of ice after initially connecting refrigerator to household water supply and after extended periods of non-use.
- Stop ice production by lifting ice maker arm. A definite click is heard when proper position is reached. Ice maker arm will remain in that position until pushed down.



Caution

To avoid damage to ice maker, observe the following:

- Do not force ice maker arm down or up, past stop position.
- Do not place or store anything in ice storage bucket.

Before Calling For Service

Give ice maker 1 overnight period to make ice before assuming a difficulty exists.

If ice maker is not producing ice

- Confirm ice maker arm is down. Ice bucket and slide out shelf must be in proper position for ice maker to produce ice.
- Confirm household water supply is reaching water valve.
- Confirm ice maker wiring harness is completely inserted into proper holes.
- Check for kinks in copper or plastic tubing. Remove kinks or replace tubing.
- Check electrical connections to water valve coil and connector block on refrigerator cabinet.
- Confirm freezer is operating at proper temperature.

If ice maker is not producing enough ice

- Ice maker produces 7 to 9 harvests of ice in a 24-hour period under ideal conditions.
- See above section.

If ice maker makes unfamiliar sounds.

- These may be normal. Refer to "Normal Operating Sounds" section in Owner's Manual.

Warranty

Ice Maker Full One Year Warranty

First Year

Amana Refrigeration, Inc. will repair or replace, free of charge, any part which is defective due to workmanship or materials.

Warranty Limitations

- Begins at date of original purchase.
- Applies to product used within the United States or in Canada if product has Canadian Standards Association listing when shipped from the factory.
- Service must be performed by an **authorized** Amana® technician.

Warranty Is Void If

- Product is used on a commercial, rental or leased basis.
- Product has defect or damage due to an accident, fire, flood, connection to an improper electrical or water supply, lightning, product alteration, shipping and handling, or other conditions beyond the control of Amana Refrigeration, Inc.
- Product is improperly installed or used.

Owner's Responsibilities

- Provide proof of purchase (sales receipt).
- Provide normal care and maintenance. Replace owner replaceable items where directions appear in Installation and Operating Instructions.
- Make product reasonably accessible for service.
- Pay for premium service costs for service outside technician's normal business hours.
- Pay for service calls related to product installation or usage.

In no event shall Amana Refrigeration, Inc. be liable for incidental or consequential damages*

*This warranty gives you specific legal rights and you may have others which vary from state to state. For example, some states do not allow the exclusion or limitation of incidental or consequential damages so this exclusion may not apply to you.



