

BUILT-IN MICROWAVE OVEN INSTALLATION INSTRUCTIONS

24" (61.0 cm) or 30" (76.2 cm)

This product is suitable for use above electric or gas built-in ovens, and below non-vented electric or gas cooktops. This product is not suitable for use below downdraft cooktops.

These installation instructions cover different models. The appearance of your particular model may differ slightly from the illustrations in these Installation Instructions.

INSTRUCTIONS D'INSTALLATION DU FOUR À MICRO-ONDES ENCASTRÉ

24" (61,0 cm) ou 30" (76,2 cm)

Ce produit convient à une utilisation au-dessus de fours encastrés électriques ou à gaz, et au-dessous de tables de cuisson électriques ou à gaz sans décharge à l'extérieur. Ce produit ne convient pas à une utilisation au-dessous de tables de cuisson avec extraction par le bas.

Ces instructions d'installation sont valables pour plusieurs modèles. Il se peut que l'apparence de votre propre modèle soit légèrement différente de celle illustrée dans ces Instructions d'installation.

Table of Contents / Table des matières

BUILT-IN MICROWAVE OVEN SAFETY	1	SÉCURITÉ DU FOUR À MICRO-ONDES ENCASTRÉ	9
INSTALLATION REQUIREMENTS	2	EXIGENCES D'INSTALLATION	9
Tools and Parts	2	Outillage et composants	9
Location Requirements	2	Exigences d'emplacement.....	10
Minimum Dimensions.....	2	Dimensions minimales	10
Product Dimensions.....	4	Dimensions du produit	12
Electrical Requirements	4	Spécifications électriques	12
INSTALLATION INSTRUCTIONS	5	INSTRUCTIONS D'INSTALLATION	13
Install Spacer Strips (if needed)	5	Installation des bandes d'espacement (si nécessaire)	13
Install the Microwave Oven (24" [61.0 cm] Installation Only)	5	Installation du four à micro-ondes (installation de 24" [61 cm] uniquement).....	13
Install the Microwave Oven (30" [76.2 cm] Installation Only)	6	Installation du four à micro-ondes (Installation de 30" [76,2 cm] uniquement).....	14
Complete Installation	7	Achever l'installation.....	15
ASSISTANCE	8	ASSISTANCE	16

BUILT-IN MICROWAVE OVEN SAFETY

Your safety and the safety of others are very important.

We have provided many important safety messages in this manual and on your appliance. Always read and obey all safety messages.



This is the safety alert symbol.

This symbol alerts you to potential hazards that can kill or hurt you and others.

All safety messages will follow the safety alert symbol and either the word "DANGER" or "WARNING."

These words mean:

⚠ DANGER

You can be killed or seriously injured if you don't immediately follow instructions.

⚠ WARNING

You can be killed or seriously injured if you don't follow instructions.

All safety messages will tell you what the potential hazard is, tell you how to reduce the chance of injury, and tell you what can happen if the instructions are not followed.

INSTALLATION REQUIREMENTS

Tools and Parts

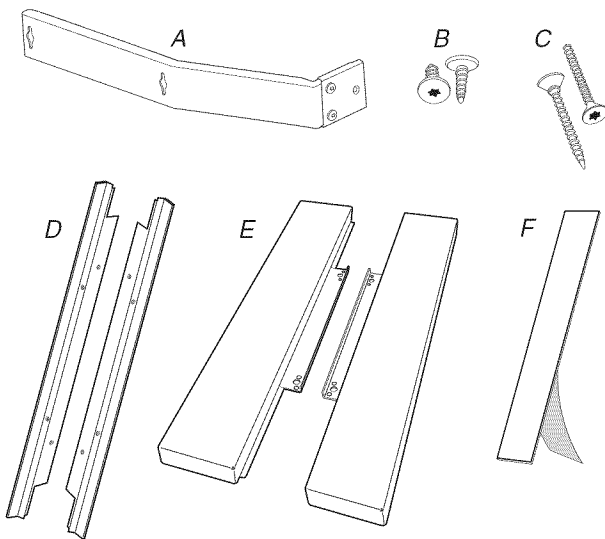
Tools Needed

Gather the required tools and parts before starting installation. Read and follow the instructions provided with any tools listed here.

- Measuring tape
- Pencil
- T10 TORX®† screwdriver
- Drill
- 5/64" (2 mm) drill bit

Parts Supplied

All of the following parts are provided, but not all parts will be used. The cutout opening size will determine which parts you will use. See chart below parts list to see which parts are used for each installation.



- A. Side brackets (2)
- B. 1/2" T-10 screws (4)
- C. 1" T-10 screws (6)
- D. Mounting brackets (2)
- E. Side trim panels (2)
- F. Spacer strips* (4)

INSTALLATION	PARTS USED
24" (61.0 cm) installation	B, C, D, F*
30" (76.2 cm) installation	A, C, E, F*

*To assure clearance for the opening of the microwave oven door, the plastic, self-adhesive spacer strips (part "F") may be installed if the distance from the cutout floor to the product below is less than 5/16" (8 mm). See "Minimum Dimensions" section.

Location Requirements

The microwave oven may be located in a cabinet, and/or above a built-in oven, or below the counter and/or below a non-vented cooktop. Check the opening where the microwave oven will be installed. The location must provide:

- Wood cabinetry.
- Cutout opening that is plumb and square. See "Minimum Cutout Dimensions" in "Minimum Dimensions" section.
- Cutout floor that is solid, level and flush with bottom of cabinet cutout.
- Support for weight of at least 150 lbs (68 kg), which includes microwave oven and items placed inside.
- Grounded electrical outlet. See "Electrical Requirements" section.
- Minimum installation clearances for installation location. See "Minimum Dimensions" section.
- Complete enclosure around the recessed portion of the microwave oven.

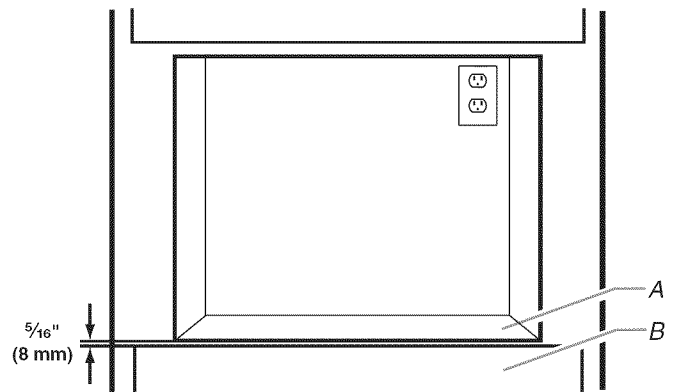
Minimum Dimensions

Minimum Installation Clearances

For proper installation, the following minimum clearances must exist above and below the cutout opening.

NOTE: If the 5/16" (8 mm) clearance does not exist between the cutout floor and the object (cabinet, drawer, oven, etc.) below, the plastic spacer strips must be installed on the cutout floor. See "Installation Instructions" section.

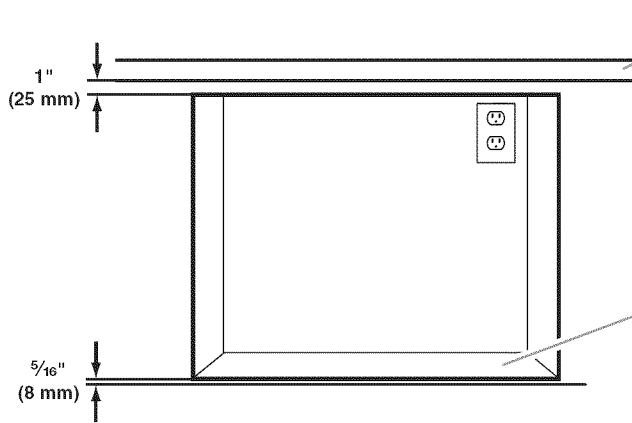
Above Cabinet/Oven/Drawer Installation



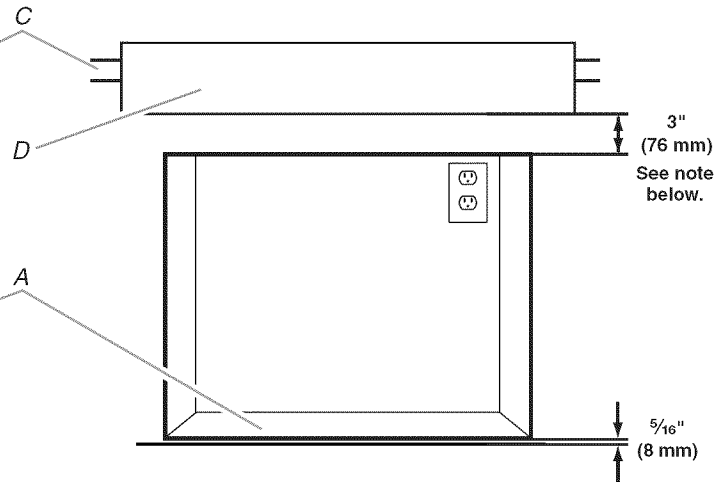
- A. Cutout floor
- B. Cabinet, storage drawer, oven or warming drawer

Minimum Installation Clearances - continued

Below Counter Installation



Below Built-in Cooktop Installation



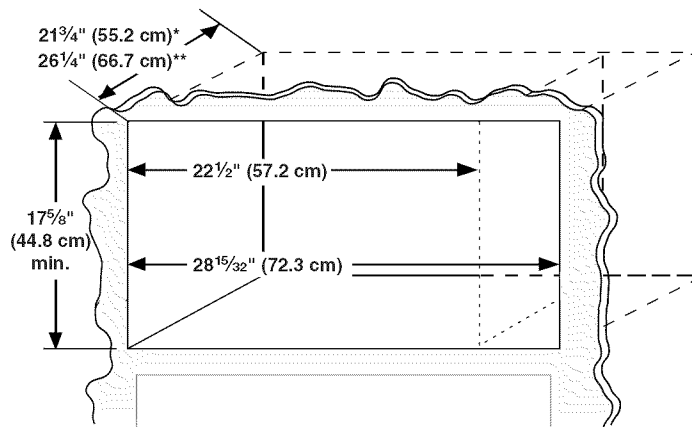
A. Cutout floor
B. Cabinet, storage drawer, oven or warming drawer

C. Countertop
D. Built-in cooktop (non-vented)

NOTE: The bottom of the cooktop may be sunk into the counter and lower cabinet. The minimum 3" (7.6 cm) clearance must exist below the lowest point of the cooktop, and there must be no interference between any part of the cooktop (including any gas fittings) and the microwave oven.

Cutout Dimensions

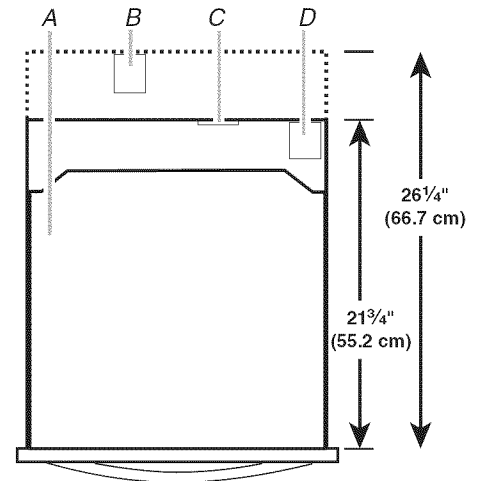
NOTE: Depth dimension may be 21³/₄" (55.2 cm) with non-flush receptacle only if the receptacle is located in upper right or upper left corner. See "Cutout Top View."



*With flush receptacle, or with non-flush receptacle located in upper right or upper left corner of cutout.

**With non-flush receptacle.

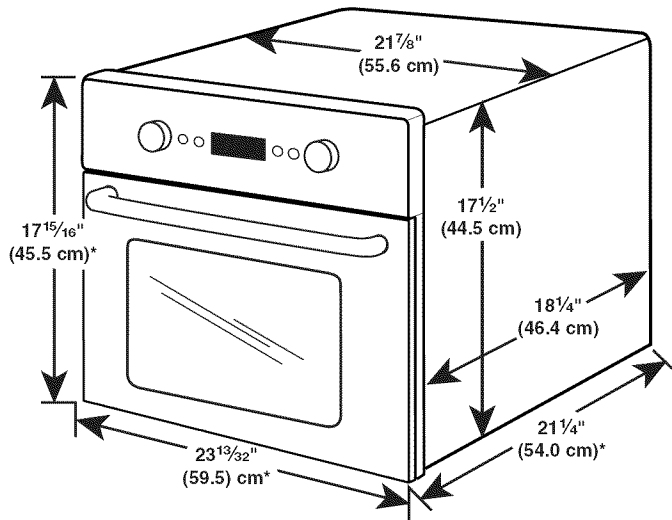
Cutout Top View



A. Microwave oven
B. Non-flush receptacle
C. Flush receptacle
D. Non-flush receptacle located in upper right or upper left corner

DIMENSION	24" (61.0 CM) INSTALLATION	30" (76.2 CM) INSTALLATION
Width	22 ¹ / ₄ " (57.2 cm) ± 1/32" (1 mm)	28 ¹⁵ / ₃₂ " (72.3 cm) ± 1/16" (2 mm)
Height	Min. 17 ⁵ / ₈ " (44.8 cm) for all installations	
Depth	21 ³ / ₄ " (55.2 cm) with flush receptacle, or with non-flush receptacle located in upper right or upper left corner of cutout; 26 ¹ / ₄ " (66.7 cm) with non-flush receptacle	

Product Dimensions



*Measurements include front facing of microwave oven. Depth measurement also includes door handle.

Electrical Requirements

! WARNING



Electrical Shock Hazard

Plug into a grounded 3 prong outlet.

Do not remove ground prong.

Do not use an adapter.

Do not use an extension cord.

Failure to follow these instructions can result in death, fire, or electrical shock.

Observe all governing codes and ordinances.

Required:

- A 120 Volt, 60 Hz, AC only, 15- or 20-amp electrical supply with a fuse or circuit breaker.

Recommended:

- A time-delay fuse or time-delay circuit breaker.
- A separate circuit serving only this microwave oven.

GROUNDING INSTRUCTIONS

■ For all cord connected appliances:

The microwave oven must be grounded. In the event of an electrical short circuit, grounding reduces the risk of electric shock by providing an escape wire for the electric current. The microwave oven is equipped with a cord having a grounding wire with a grounding plug. The plug must be plugged into an outlet that is properly installed and grounded.

WARNING: Improper use of the grounding plug can result in a risk of electric shock. Consult a qualified electrician or serviceman if the grounding instructions are not completely understood, or if doubt exists as to whether the microwave oven is properly grounded.

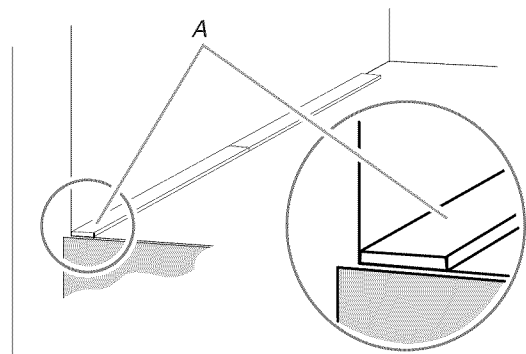
Do not use an extension cord. If the power supply cord is too short, have a qualified electrician or serviceman install an outlet near the microwave oven.

SAVE THESE INSTRUCTIONS

INSTALLATION INSTRUCTIONS

Install Spacer Strips (if needed)

NOTE: If the clearance between the cutout floor and the object below is less than 5/16" (8 mm), the plastic, self-adhesive spacer strips must be installed on the cutout floor, as shown below.



A. Spacer strips in place

To Install Spacer Strips:

1. Remove adhesive backing from each strip.
2. Place one spacer strip flush with the front edge of the cutout, and abutted to the side wall of the cutout, as shown.
3. Place second spacer strip directly behind the first spacer strip, also abutted to the side wall of the cutout.
4. Repeat on other side.

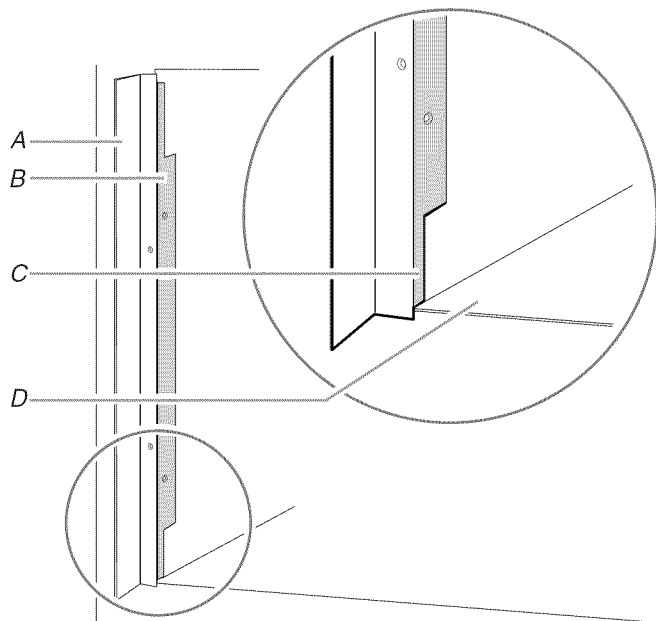
Install the Microwave Oven (24" (61.0 cm) Installation Only)

For 24" (61.0 cm) installation, the mounting brackets must be attached to the 2 side edges of the cutout opening.

To Attach Mounting Brackets:

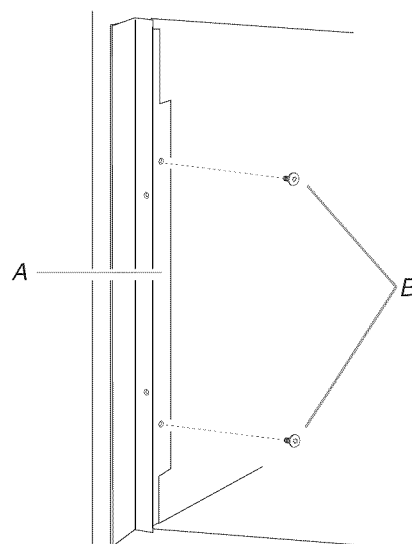
1. Hold the bracket firmly against the side rim of the opening, as shown.

The tiered edge of the bracket should be flat against the inside wall of the opening. The small tier should rest against the floor of the cutout opening (or spacer strip, if it is installed).



A. Mounting bracket C. Small tier
B. Tiered edge (shaded) D. Cutout floor

2. Using a drill with 5/64" (2 mm) bit, drill pilot holes through the 2 holes in the tiered edge.
3. Secure the bracket to the opening side rim with two 1/2" T-10 screws.



A. Tiered edge
B. T-10 screws

4. Repeat on other side.

To Install Microwave Oven:

⚠ WARNING

Excessive Weight Hazard

Use two or more people to move and install microwave oven.

Failure to do so can result in back or other injury.

NOTE: For this microwave oven, the door handle may be used for lifting. Do not use any other portion of the control panel, side brackets, front frame or trim for lifting.

1. Empty microwave oven of any loose items.
2. With the microwave oven near the opening, plug the microwave oven into the grounded 3-prong outlet.

⚠ WARNING



Electrical Shock Hazard

Plug into a grounded 3 prong outlet.

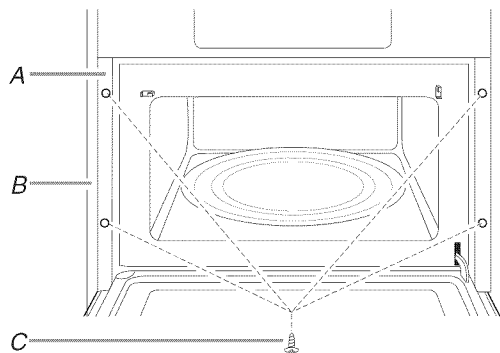
Do not remove ground prong.

Do not use an adapter.

Do not use an extension cord.

Failure to follow these instructions can result in death, fire, or electrical shock.

3. Using 2 or more people, slide the microwave oven all the way into the opening.
4. Open the microwave oven door. The holes in the door facing frame should align with the holes in the mounting brackets. Secure the microwave oven door facing to the mounting brackets using four 1" T-10 screws.



A. Microwave oven door facing frame

B. Cabinet

C. 1" T-10 screws (4)

5. Proceed to "Complete Installation" section.

**Install the Microwave Oven
(30" (76.2 cm) Installation Only)**

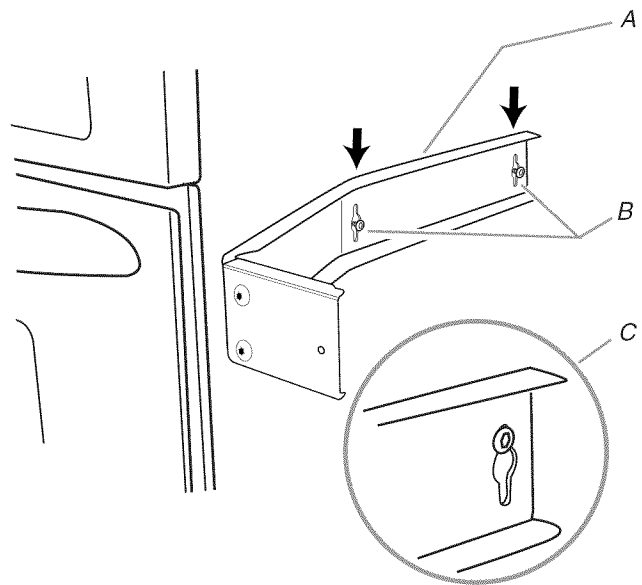
⚠ WARNING

Excessive Weight Hazard

Use two or more people to move and install microwave oven.

Failure to do so can result in back or other injury.

1. Empty microwave oven of any loose contents.
2. Loosen the middle and rear screws on each side of microwave oven. The screws are located at the same height as the door handle.
3. Place the side bracket over the 2 screws, fitting the screw heads through the keyholes on the bracket. Then slide the side bracket down so that the upper portions of the keyholes rest on the screws.



A. Side bracket

B. Existing screws (middle and rear)

C. Proper side bracket attachment

4. Tighten screws to secure the side bracket to the microwave oven.
5. Repeat steps 3 and 4 on the other side of the microwave oven.

⚠ WARNING



Electrical Shock Hazard

Plug into a grounded 3 prong outlet.

Do not remove ground prong.

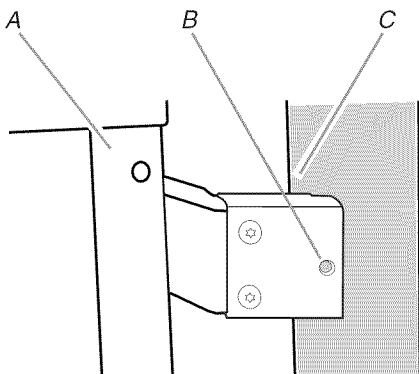
Do not use an adapter.

Do not use an extension cord.

Failure to follow these instructions can result in death, fire, or electrical shock.

6. With the microwave oven near the opening, plug the microwave oven into the grounded 3 prong outlet.
7. Using 2 or more people, slide microwave oven all the way into the opening, and center the microwave oven within the opening.

NOTE: The screw holes in the winged ends of both side brackets must be fully over the wood of the wall or cabinet, as shown.



A. Door front facing
B. Side bracket screw hole for cabinet attachment
C. Cabinet front

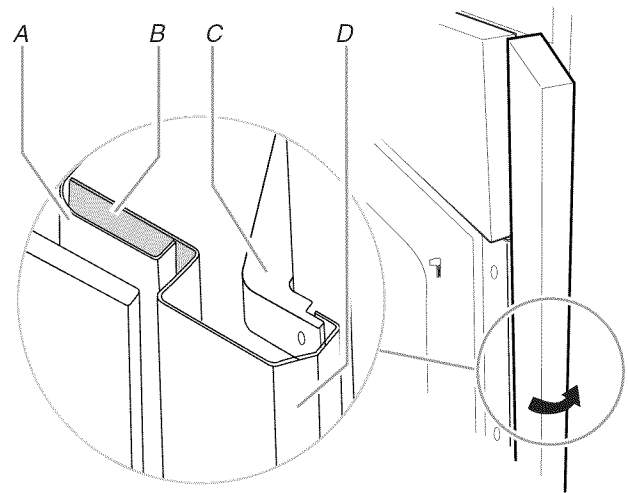
8. Using 5/64" (2 mm) drill, drill pilot holes into the cabinet through the screw holes in the side brackets.
9. Install two 1" T-10 screws in the pilot holes to secure the microwave oven in place.

NOTE: To ensure proper side trim panel fitting, do not overtighten screws.

10. Open microwave oven door.

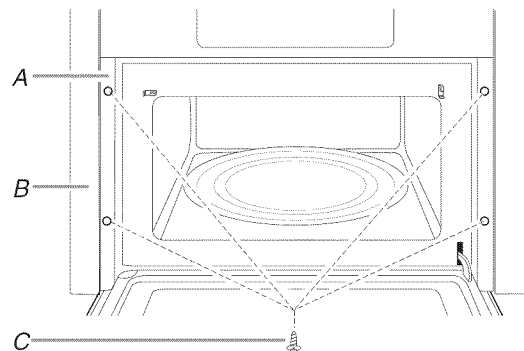
11. Position the tabular portion of the side trim panel behind the door facing frame, then firmly push the outside edge of the trim behind the side bracket, as shown.

Exploded View of Panel Placement



A. Door facing frame
B. Tabular portion (shaded) of side trim panel
C. Side bracket
D. Side trim panel in place

12. Attach the side trim panel to the door facing frame using two 1" T-10 screws.



A. Door facing frame
B. Trim panel
C. 1" T-10 screws (4)

13. Repeat steps 11 and 12 on other side.

Complete Installation

1. Install the turntable in the microwave oven.
2. Check the operation of microwave oven by placing 1 cup (250 mL) of water on the turntable and programming cook time of 1 minute at 100% power.
3. If the microwave oven does not operate:
 - Check that a household fuse has not blown, or a circuit breaker tripped. Replace the fuse or reset the circuit breaker. If the problem continues, call an electrician.
 - Check that the power supply cord is plugged into a grounded 3 prong outlet.
 - See the Use and Care Guide for troubleshooting information.

Installation is now complete.

Save these Installation Instructions for future use.

ASSISTANCE

Call your authorized dealer or service center. When you call, you will need the microwave oven model number and serial number. Both numbers can be found on the model and serial number plate, which is located behind the microwave oven door on the front frame of the microwave oven.

If you need additional assistance, call us at our toll free number or visit our website listed in the Use and Care Guide.

SÉCURITÉ DU FOUR À MICRO-ONDES ENCASTRÉ

Votre sécurité et celle des autres est très importante.

Nous donnons de nombreux messages de sécurité importants dans ce manuel et sur votre appareil ménager. Assurez-vous de toujours lire tous les messages de sécurité et de vous y conformer.



Voici le symbole d'alerte de sécurité.

Ce symbole d'alerte de sécurité vous signale les dangers potentiels de décès et de blessures graves à vous et à d'autres.

Tous les messages de sécurité suivront le symbole d'alerte de sécurité et le mot "DANGER" ou "AVERTISSEMENT". Ces mots signifient :

⚠ DANGER

Risque possible de décès ou de blessure grave si vous ne suivez pas immédiatement les instructions.

⚠ AVERTISSEMENT

Risque possible de décès ou de blessure grave si vous ne suivez pas les instructions.

Tous les messages de sécurité vous diront quel est le danger potentiel et vous disent comment réduire le risque de blessure et ce qui peut se produire en cas de non-respect des instructions.

EXIGENCES D'INSTALLATION

Outillage et composants

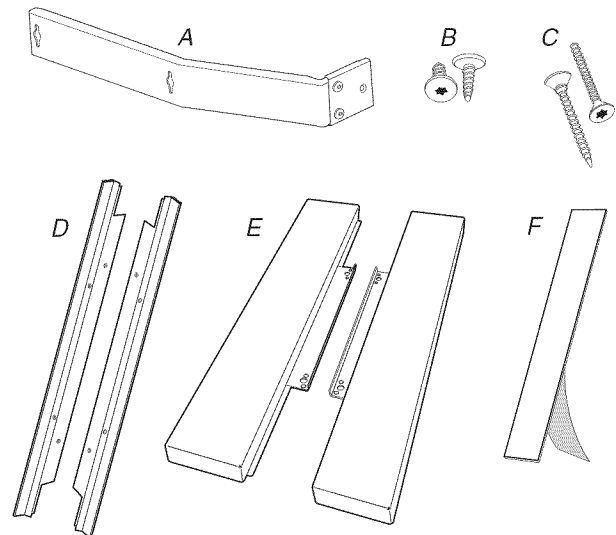
Outillage nécessaire

Rassembler les outils et composants nécessaires avant d'entreprendre l'installation. Lire et observer les instructions fournies avec chacun des outils de la liste ci-dessous.

- Mètre ruban
- Crayon
- Tournevis T10 TORX®†
- Perceuse
- Foret de 5/64" (2 mm)

Pièces fournies

Toutes les pièces suivantes sont fournies, mais elles ne seront pas toutes nécessaires. Les dimensions de l'ouverture d'encastrement détermineront quelles pièces doivent être utilisées. Voir le tableau suivant la liste des pièces pour savoir quelles pièces utiliser en fonction de chaque installation.



- A. Brides latérales (2)
- B. Vis T-10 de 1/2" (4)
- C. Vis T-10 de 1" (6)
- D. Supports de montage (2)
- E. Panneaux de garniture latérale (2)
- F. Bandes d'espacement* (4)

INSTALLATION	PIÈCES UTILISÉES
Installation de 24" (61,0 cm)	B, C, D, F*
Installation de 30" (76,2 cm)	A, C, E, F*

*Pour assurer le dégagement nécessaire à l'ouverture de la porte du four à micro-ondes, les bandes d'espacement autoadhésives en plastique (pièce "F") peuvent être installées si la distance entre le plancher de l'ouverture d'encastrement et le produit ci-dessous est inférieure à 5/16" (8 mm). Voir la section "Dimensions minimales".

Exigences d'emplacement

Le four à micro-ondes peut être installé dans un placard et/ou au-dessus d'un four encastré, ou bien sous le comptoir et/ou sous une table de cuisson sans décharge à l'extérieur. Inspecter l'ouverture dans laquelle le four à micro-ondes sera installé. L'emplacement d'installation doit posséder les caractéristiques suivantes :

- Placards de bois.
- Une ouverture découpée qui soit d'aplomb et d'équerre. Voir "Dimensions minimales de l'ouverture à découper" dans la section "Dimensions minimales".
- Le plancher au niveau de l'encastrement doit être robuste, d'aplomb et en affleurement avec le bas de l'ouverture découpée du placard.
- Une capacité de charge d'au moins 150 lb (68 kg), ce qui comprend le four à micro-ondes ainsi que les éléments placés à l'intérieur.
- Prise de courant reliée à la terre. Voir la section "Spécifications électriques".
- Distances de dégagement minimales pour l'emplacement d'installation. Voir la section "Dimensions minimales".
- Une enceinte complète autour de la partie encastrée du four à micro-ondes.

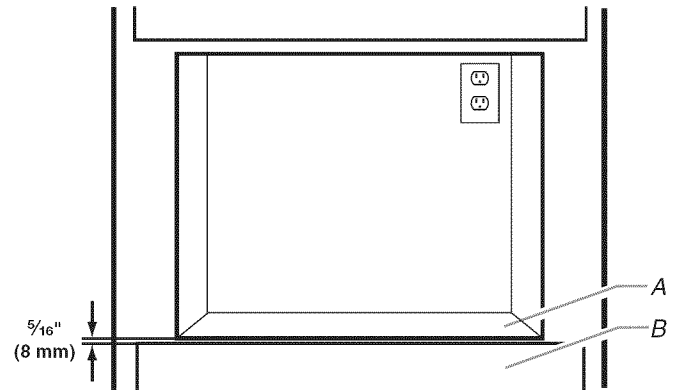
Dimensions minimales

Distances de dégagement minimales d'installation

Pour une installation correcte, les distances de dégagement minimales suivantes doivent être respectées au-dessus et en dessous de l'ouverture à découper.

REMARQUE : En cas d'absence de dégagement de 5/16" (8 mm) entre le plancher de l'ouverture d'encastrement et l'objet (placard, tiroir, four, etc.) ci-dessous, les bandes d'espacement en plastique doivent être installées sur le plancher de l'ouverture. Voir la section "Instructions d'installation".

Installation au-dessus d'un placard/four/tiroir

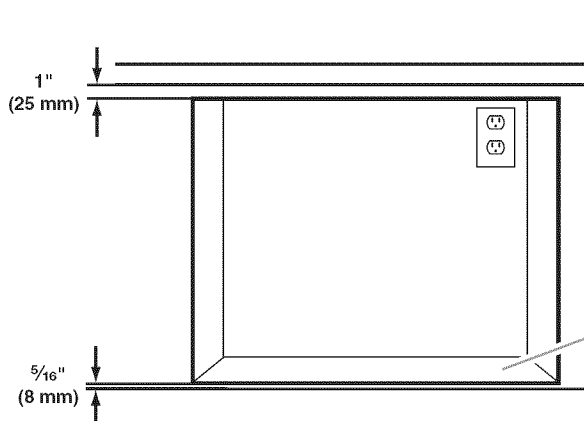


A. Plancher de l'ouverture à découper

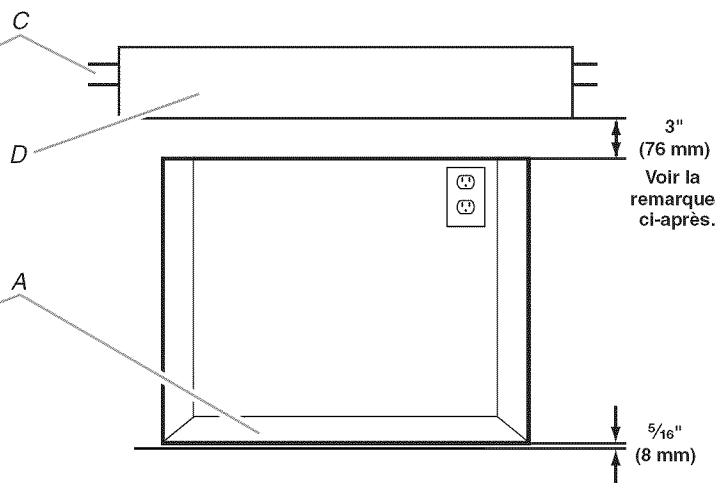
B. Placard, tiroir de remisage, four ou tiroir-réchaud

Distances de dégagement minimales d'installation (suite)

Installation sous comptoir



Installation sous table de cuisson encastrée



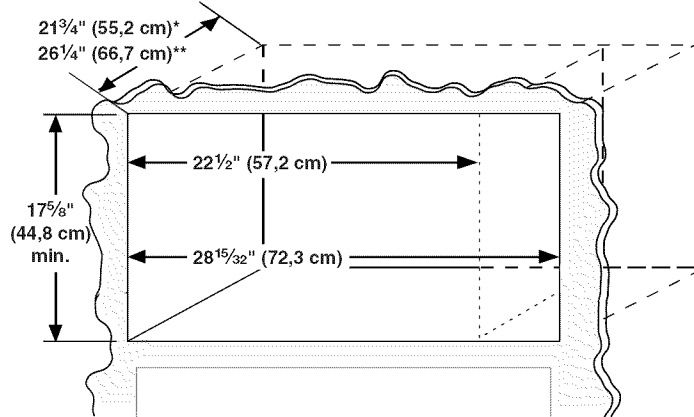
A. Plancher de l'ouverture à découper
B. Placard, tiroir de remisage, four ou tiroir-réchaud

C. Comptoir
D. Table de cuisson encastrée (sans décharge à l'extérieur)

REMARQUE : Le bas de la table de cuisson peut être encastré dans le comptoir et le placard inférieur. La distance de dégagement minimale de 3" (7,6 cm) doit être respectée en dessous du point le plus bas de la table de cuisson et il ne doit y avoir aucun obstacle entre n'importe quelle partie de la table de cuisson (y compris les raccords de gaz) et le four à micro-ondes.

Dimensions de l'ouverture à découper

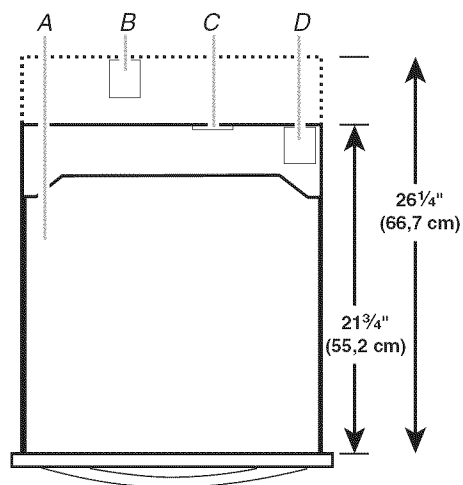
REMARQUE : La profondeur peut être de 21³/₄" (55,2 cm) avec un réceptacle long, uniquement si le réceptacle se trouve à l'angle supérieur droit ou supérieur gauche. Voir "Vue du dessus de l'ouverture à découper".



* Avec réceptacle court (affleurement), ou avec un réceptacle long situé à l'angle supérieur droit ou supérieur gauche de l'ouverture à découper.

** Avec réceptacle long.

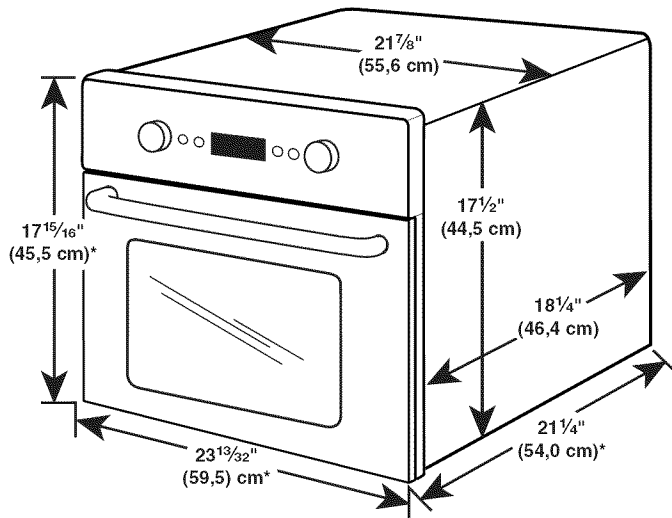
Vue de dessus de l'ouverture à découper



A. Four à micro-ondes
B. Réceptacle long
C. Réceptacle court (affleurement)
D. Réceptacle long situé au coin supérieur droit ou supérieur gauche

DIMENSION	INSTALLATION DE 24" (61,0 CM)	INSTALLATION DE 30" (76,2 CM)
Largeur	25 ¹ / ₄ " (57,2 cm) ± ¹ / ₃₂ " (1 mm)	28 ¹⁵ / ₃₂ " (72,3 cm) ± ¹ / ₁₆ " (2 mm)
Hauteur	Min. 17 ⁵ / ₈ " (44,8 cm) pour toutes les installations	
Profondeur	21 ³ / ₄ " (55,2 cm) avec réceptacle court (affleurement), ou un réceptacle long situé à l'angle supérieur droit ou supérieur gauche de l'ouverture à découper; 26 ¹ / ₄ " (66,7 cm) avec réceptacle long.	

Dimensions du produit



*Les mesures comprennent la partie avant du four à micro-ondes. Les mesures de profondeur comprennent également la poignée de porte.

Spécifications électriques

⚠ AVERTISSEMENT



Risque de choc électrique

Brancher sur une prise à 3 alvéoles reliée à la terre.

Ne pas enlever la broche de liaison à la terre.

Ne pas utiliser un adaptateur.

Ne pas utiliser un câble de rallonge.

Le non-respect de ces instructions peut causer un décès, un incendie ou un choc électrique.

Observer les dispositions de tous les codes et règlements en vigueur.

Nécessaire :

- Une alimentation électrique de 120 volts, 60 Hz, CA seulement, 15 ou 20 ampères, protégée par un fusible ou un disjoncteur.

Recommandé :

- Un fusible temporisé ou un disjoncteur temporisé.
- Un circuit distinct exclusif à ce four à micro-ondes.

INSTRUCTIONS DE LIAISON À LA TERRE

■ Pour tout appareil ménager connecté par un cordon de courant électrique :

Il faut que le four à micro-ondes soit relié à la terre. En cas de court-circuit électrique, la liaison à la terre réduit le risque de choc électrique car le courant électrique dispose d'un itinéraire direct d'acheminement à la terre. Le four à micro-ondes est doté d'un cordon de courant électrique qui comporte un fil de liaison à la terre, avec broche de liaison à la terre. On doit brancher la fiche sur une prise de courant convenablement installée et reliée à la terre.

AVERTISSEMENT : L'utilisation incorrecte du dispositif de liaison à la terre peut susciter un risque de choc électrique. L'utilisateur qui ne comprend pas bien les instructions de liaison à la terre, ou qui n'est pas certain que le four à micro-ondes soit convenablement relié à la terre, devrait consulter un électricien qualifié.

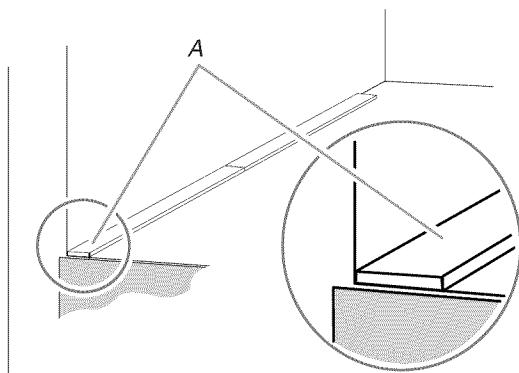
Ne pas utiliser un câble de rallonge. Si le cordon de courant électrique est trop court, demander à un électricien qualifié d'installer une prise de courant à proximité du four à micro-ondes.

CONSERVEZ CES INSTRUCTIONS

INSTRUCTIONS D'INSTALLATION

Installation des bandes d'espacement (si nécessaire)

REMARQUE : Si le dégagement entre le plancher de l'ouverture d'encastrement et l'objet ci-dessous est inférieur à 5/16" (8 mm), les bandes d'espacement autoadhésives en plastique doivent être installées sur le plancher de l'ouverture, tel qu'illustré ci-dessous.



A. Bandes d'espacement en place

Installation des bandes d'espacement :

1. Retirer l'endos adhésif de chaque bande.
2. Placer une bande d'espacement en affleurement avec le bord avant de l'ouverture et bordant la paroi latérale de l'ouverture.
3. Placer une deuxième bande d'espacement directement derrière la première, bordant également la paroi latérale de l'ouverture.
4. Répéter l'opération de l'autre côté.

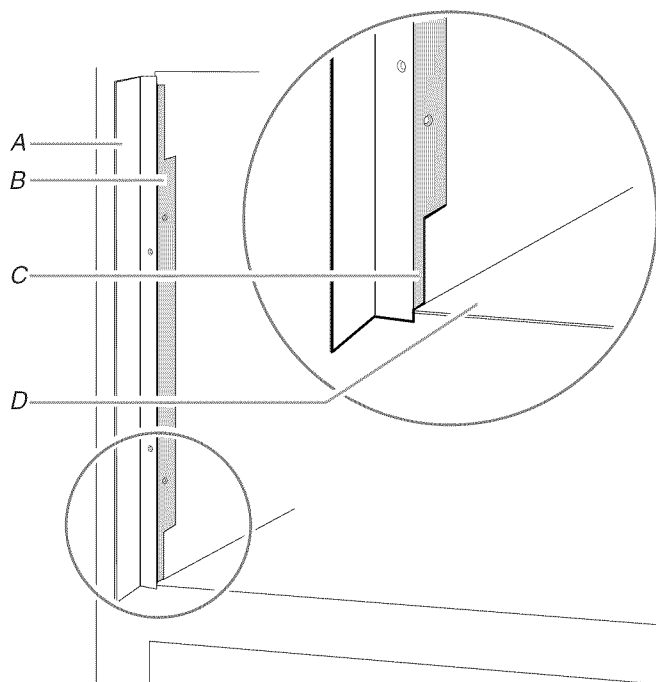
Installation du four à micro-ondes (installation de 24" (61 cm) uniquement)

Pour l'installation de 24" (61 cm), les supports de montage doivent être fixés aux 2 bords latéraux de l'ouverture d'encastrement.

Fixation des supports de montage :

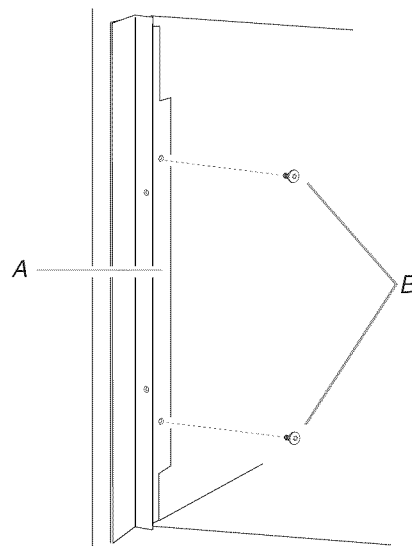
1. Maintenir le support fermement appuyé contre la bordure latérale de l'ouverture tel qu'illustré.

Le bord mixte du support doit être mis bien à plat contre la paroi intérieure de l'ouverture. La partie plus étroite doit reposer contre le plancher de l'ouverture d'encastrement (ou bande d'espacement, si installée).



A. Support de montage
B. Bord mixte (grisé)
C. Partie plus étroite
D. Plancher de l'ouverture

2. À l'aide d'une perceuse et d'un foret de 5/64" (2 mm), percer des avant-trous dans les 2 trous du bord mixte.
3. Fixer le support sur le bord latéral de l'ouverture avec deux vis T-10 de 1/2".



A. Bord mixte
B. Vis T-10

4. Répéter l'opération de l'autre côté.

Installation du four à micro-ondes :

⚠ AVERTISSEMENT

Risque du poids excessif

Utiliser deux ou plus de personnes pour déplacer et installer le four à micro-ondes.

Le non-respect de cette instruction peut causer une blessure au dos ou d'autre blessure.

REMARQUE : On peut se servir de la poignée de porte soulever ce four à micro-ondes. Ne pas utiliser d'autre section du tableau de commande, des supports latéraux, du châssis avant ni de la garniture pour le soulever.

1. Vider le four à micro-ondes de tout article.
2. Tout en gardant le four à micro-ondes à proximité de l'ouverture d'encastrement, le brancher dans la prise à 3 broches reliée à la terre.

⚠ AVERTISSEMENT



Risque de choc électrique

Brancher sur une prise à 3 alvéoles reliée à la terre.

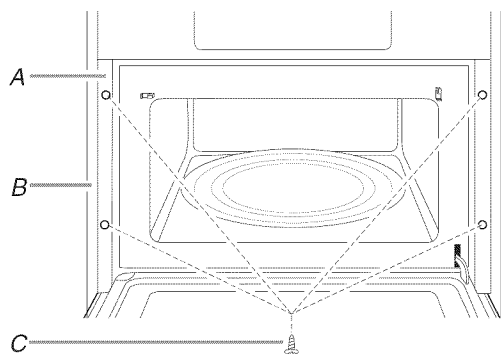
Ne pas enlever la broche de liaison à la terre.

Ne pas utiliser un adaptateur.

Ne pas utiliser un câble de rallonge.

Le non-respect de ces instructions peut causer un décès, un incendie ou un choc électrique.

3. À l'aide de 2 personnes ou plus, faire glisser le four à micro-ondes jusqu'au fond de l'ouverture.
4. Ouvrir la porte du four à micro-ondes. Les trous dans le châssis de façade de la porte doivent s'aligner sur les trous des supports de montage. Fixer la façade de la porte du four à micro-ondes aux supports de fixation à l'aide de quatre vis T-10 de 1".



A. Encadrement de façade de la porte du four à micro-ondes

B. Placard

C. Vis T-10 de 1" (4)

5. Passer à la section "Achever l'installation".

Installation du four à micro-ondes (Installation de 30" (76,2 cm) uniquement)

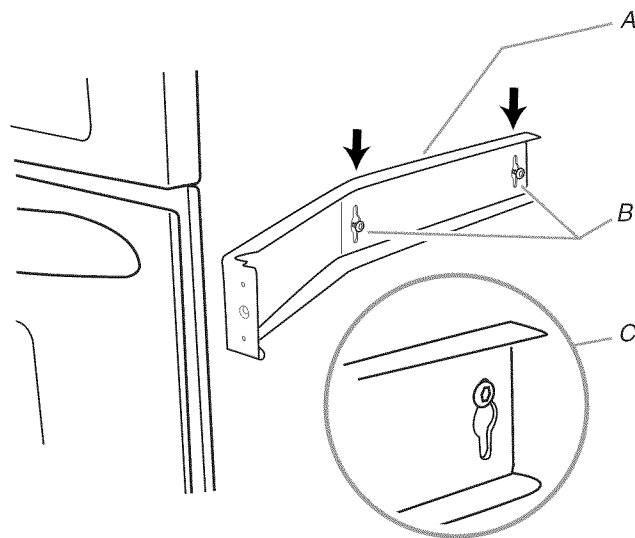
⚠ AVERTISSEMENT

Risque du poids excessif

Utiliser deux ou plus de personnes pour déplacer et installer le four à micro-ondes.

Le non-respect de cette instruction peut causer une blessure au dos ou d'autre blessure.

1. Vider le four à micro-ondes de tout article.
2. Desserrer les vis du milieu et les vis arrière situées de chaque côté du four à micro-ondes. Les vis se trouvent à la même hauteur que la poignée de porte.
3. Engager la bride latérale sur les 2 vis - engager la tête de chaque vis dans l'ouverture allongée de la bride; faire ensuite glisser la bride latérale vers le bas pour que la partie étroite de chaque trou allongé repose sur la vis.



A. Bride latérale

B. Vis pré-installées (milieu et arrière)

C. Fixation correcte de la bride latérale

4. Resserrer les vis pour fixer la bride latérale au four à micro-ondes.
5. Répéter les étapes 3 et 4 pour l'autre côté du four à micro-ondes.

⚠ AVERTISSEMENT

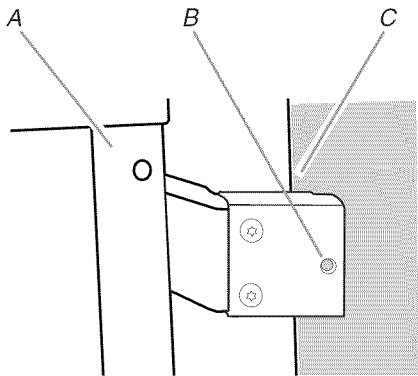


Risque de choc électrique

- Brancher sur une prise à 3 alvéoles reliée à la terre.
- Ne pas enlever la broche de liaison à la terre.
- Ne pas utiliser un adaptateur.
- Ne pas utiliser un câble de rallonge.
- Le non-respect de ces instructions peut causer un décès, un incendie ou un choc électrique.

- Tout en gardant le four à micro-ondes à proximité de l'ouverture d'encastrement, brancher le four à micro-ondes dans la prise de courant à 3 broches reliée à la terre.
- À l'aide d'au moins 2 personnes, faire glisser complètement le four à micro-ondes dans l'ouverture d'encastrement et le centrer dans l'ouverture.

REMARQUE : Il faut que les trous aux embouts de chaque bride latérale soient totalement superposés au matériau de bois du mur ou du placard, tel qu'illustré.



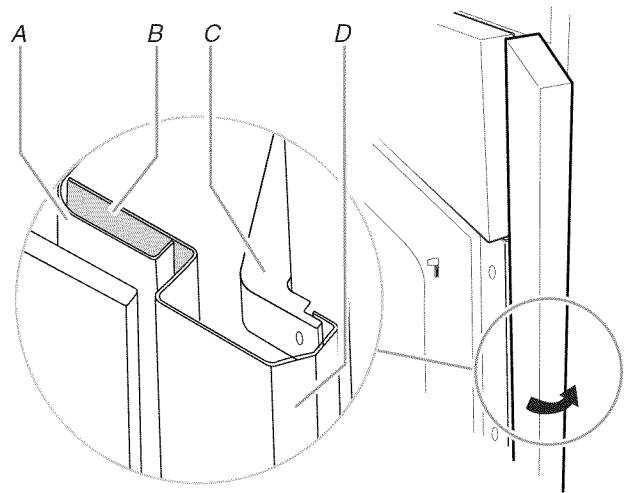
A. Partie avant de la porte
B. Trou de vis de la bride latérale pour la fixation du placard
C. Avant du placard

- À l'aide d'un foret de 5/64" (2 mm), percer des avant-trous dans le placard, à travers les trous de vis des brides latérales.
- Fixer deux vis T-10 de 1" dans les avant-trous pour maintenir le four à micro-ondes en place.

REMARQUE : Afin que le panneau de garniture latérale soit bien installé, ne pas trop serrer les vis.

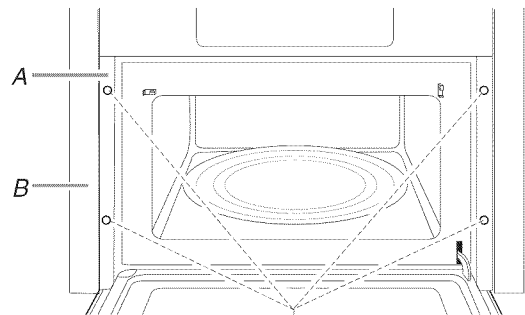
- Ouvrir la porte du four à micro-ondes.
- Positionner la partie tabulaire du panneau de garniture latérale derrière l'encadrement faisant face à la porte, puis enfoncer fermement la rive extérieure de la garniture derrière la bride latérale, tel qu'illustré.

Vue éclatée de l'installation du panneau



A. Encadrement faisant face à la porte
B. Partie tabulaire (grisée) du panneau de garniture latérale
C. Bride latérale
D. Panneau de garniture latérale installé

- Fixer le panneau de garniture latérale à l'encadrement faisant face à la porte à l'aide de deux vis T-10 de 1".



A. Encadrement faisant face à la porte
B. Panneau de garniture
C. Vis T-10 de 1" (4)

- Répéter les étapes 11 et 12 pour l'autre côté.

Achever l'installation

- Installer le plateau rotatif dans le four à micro-ondes.
- Contrôler le fonctionnement du four à micro-ondes : placer sur le plateau rotatif 1 récipient contenant 1 tasse (250 mL) d'eau et programmer une période de cuisson de 1 minute à la puissance maximale (100 %).
- Si le four à micro-ondes ne fonctionne pas :
 - Déterminer si un fusible est grillé ou si un disjoncteur s'est ouvert. Remplacer le fusible du domicile ou réenclencher le disjoncteur. Si le problème persiste, appeler un électricien.
 - Vérifier que le cordon d'alimentation est correctement branché sur une prise de courant à 3 alvéoles reliée à la terre.
 - Pour l'information relative au dépannage, consulter le Guide d'utilisation et d'entretien.

L'installation est maintenant terminée.

Conserver les Instructions d'installation pour une éventuelle réutilisation future.

ASSISTANCE

Appeler le marchand local autorisé ou le centre de service agréé. Lors de l'appel, vous aurez besoin des numéros de modèle et de série du four à micro-ondes. Les deux numéros peuvent être trouvés sur la plaque signalétique située derrière la porte du four à micro-ondes, sur le châssis avant du four à micro-ondes.

Si une assistance supplémentaire est nécessaire, composer le numéro sans frais ou consulter notre site Web indiqué dans le Guide d'utilisation et d'entretien.