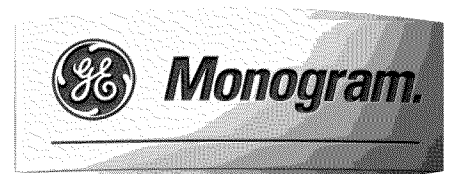


Installation Instructions

Stainless Steel Free-Standing,
Drawer Freezer Refrigerator

31-46515
225D1974P005

monogram.com



Safety Information

BEFORE YOU BEGIN

Read these instructions completely and carefully.

- **IMPORTANT** – Save these instructions for local inspector's use.
- **IMPORTANT** – Observe all governing codes and ordinances.
- **Note to Installer** – Be sure to leave these instructions with the Consumer.
- **Note to Consumer** – Keep these instructions with your Owner's Manual for future reference.

⚠ WARNING:

This appliance must be properly grounded. See "Grounding the Refrigerator," page 4.

⚠ AVERTISSEMENT :

Cet appareil doit être correctement mis à la terre. Consulter « Mise à la terre du réfrigérateur », page 4.

If you received a damaged refrigerator, you should immediately contact your dealer or builder.

Skill Level – Installation of this refrigerator requires basic mechanical, carpentry and plumbing skills. Proper installation is the responsibility of the installer. Product failure due to improper installation is not covered under the GE Appliance Warranty. See the Owner's Manual for warranty information.

⚠ CAUTION:

Due to the weight and size of this refrigerator, and to reduce the risk of personal injury or damage to the product – TWO PEOPLE ARE REQUIRED FOR PROPER INSTALLATION.

⚠ PRUDENCE :

À cause du poids et de la taille de ce réfrigérateur et pour réduire le risque de blessure et de dommages, IL FAUT DEUX PERSONNES POUR FAIRE L'INSTALLATION CORRECTEMENT.

⚠ WARNING:

- Use this appliance only for its intended purpose.
- Immediately repair or replace electric service cords that become frayed or damaged.
- Unplug the refrigerator before cleaning or making repairs.
- Repairs should be made by a qualified service technician.

⚠ AVERTISSEMENT :

- Il ne faut utiliser cet appareil que pour l'utilisation appropriée.
- Réparer ou remplacer immédiatement tout cordon électrique effiloché ou endommagé.
- Il faut débrancher le réfrigérateur avant le nettoyage ou toute intervention.
- Les réparations doivent être faites par un technicien qualifié.

For Monogram local service in your area, call 1.800.444.1845.

For Monogram service in Canada, call 1.800.561.3344

For Monogram Parts and Accessories, call 1.800.626.2002.

www.monogram.com

CONTENTS

Planning Information

Product Dimensions and Clearances.....	3
The Installation Space.....	3

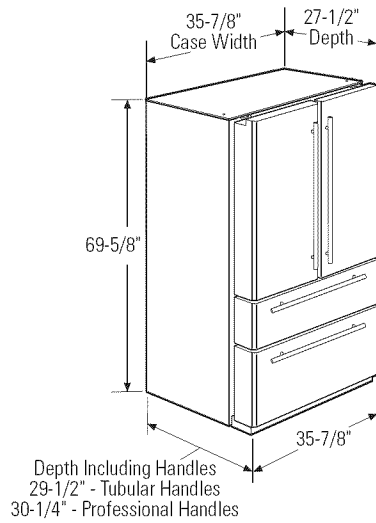
Installation Instructions

Tools, Hardware, Materials	4
Grounding the Refrigerator	4
Step 1, Measure Cabinet Opening	5
Step 2, Install Anti-Tip Bracket	5-6
Step 3, Install the Refrigerator	7
Step 4, Remove the Freezer Drawers	7-8
Step 5, Remove the Fresh Food Doors	8
Step 6, Remove the Toekick	9
Step 7, Move the Refrigerator	9

Step 8, Replace the Freezer Drawers	9-10
Step 9, Replace Fresh Food Doors	11
Step 10, Install Water Line	11
Step 10A, RO Water Line	12
Step 11, Connect Water Supply	12
Step 12, Connect Power	12
Step 13, Move Refrigerator Into Position	12
Step 14, Level Refrigerator	13
Step 15, Level Doors	13
Step 16, Install Toekick	14
Step 17, Start Icemaker	14
Step 18, Temperature Controls.....	14

Planning Information

PRODUCT DIMENSIONS AND CLEARANCES



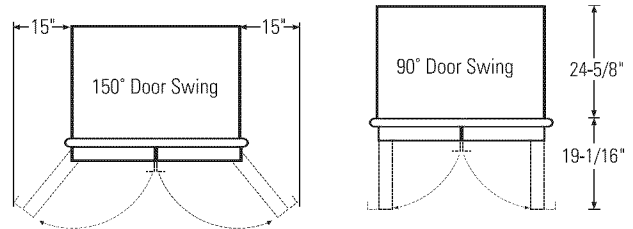
These Monogram free-standing refrigerators require the following clearances for proper air circulation, plumbing and electrical connections.

Air Circulation Clearances:

- 1/8" on each side
- 1/2" at the back side

Installation in a corner:

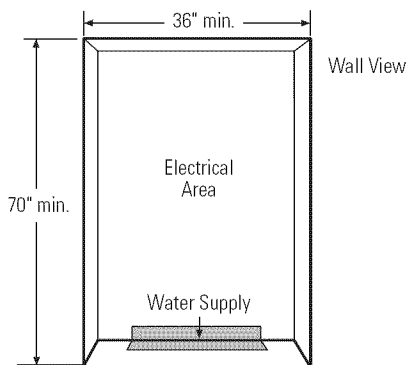
- Allow 4" clearance on each side to an adjacent wall for a 90° opening and access to drawers.



- Allow 15" clearance to wall on each side for removal of drawers.

THE INSTALLATION SPACE

The opening width must be at least 36".



Water And Electrical Locations

The opening must be prepared with the electrical and water supply located as shown.

Additional Specifications

- A 115 volt 60Hz., 15 or 20 amp power supply is required. An individual properly grounded branch circuit or circuit breaker is recommended. Install a properly grounded 3-prong electrical receptacle recessed into the back wall.
- NOTE:** GFI (ground fault interrupter) is not recommended.
- The cold water line can enter the opening through the floor or through an adjacent cabinet, as close to the back wall as possible. The water line should be GE SmartConnect™ Refrigerator Tubing or 1/4" O.D. copper tubing between the cold water line and water connection location at the rear of the refrigerator. Installation of an easily accessible shut off valve in the water line is recommended.

Installation Instructions

TOOLS REQUIRED

- Adjustable wrench
- 3/8" and 5/16" socket ratchet/driver
- Phillips head screwdriver
- 3/32", 1/8", 1/4" Allen wrenches
- 1/8" Drill bit and electric or hand drill
- Tape measure
- Pencil
- Wire cutters
- 1/4" Nut driver
- Level

MATERIALS REQUIRED

- 1/4" O.D. compression nut and 2 ferrules (sleeves)
OR GE SmartConnect™ Refrigerator Tubing Kits

FLOORING

For proper installation, this refrigerator must be placed on a level surface of hard material that is at the same height as the rest of the flooring. This surface should be strong enough to support a fully loaded refrigerator.

IMPORTANT NOTE: Protect the finish of the flooring. Cut a large section of the cardboard carton and place under the refrigerator where you are working.

GROUNDING THE REFRIGERATOR

IMPORTANT - (Please read carefully)

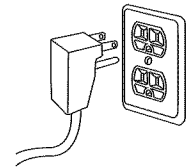
FOR PERSONAL SAFETY, THIS APPLIANCE MUST BE PROPERLY GROUNDED.

The power cord of this appliance is equipped with a 3-prong (grounding) plug which mates with a standard 3-prong (grounding) wall receptacle to minimize the possibility of electric shock hazard from this appliance.

Have the wall outlet and circuit checked by a qualified electrician to make sure the outlet is properly grounded.

Where a standard 2-prong wall outlet is encountered, it is your personal responsibility and obligation to have it replaced with a properly grounded 3-prong wall outlet.

DO NOT, UNDER ANY CIRCUMSTANCES, CUT OR REMOVE THE THIRD (GROUND) PRONG FROM THE POWER CORD.

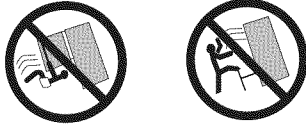


DO NOT USE AN ADAPTER PLUG TO CONNECT THE REFRIGERATOR TO A 2-PRONG OUTLET.

DO NOT USE AN EXTENSION CORD WITH THIS APPLIANCE.

Installation Instructions

⚠ WARNING



Under certain circumstances, this refrigerator can tip forward.

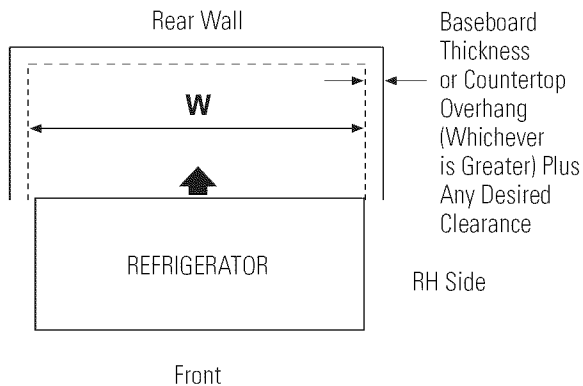
Injury to persons can result.

Install Anti-Tip Bracket packed with this refrigerator.

STEP 1 MEASURE CABINET OPENING AVAILABLE VS. REFRIGERATOR WIDTH

Measure width of cabinet opening where refrigerator will be placed, W.

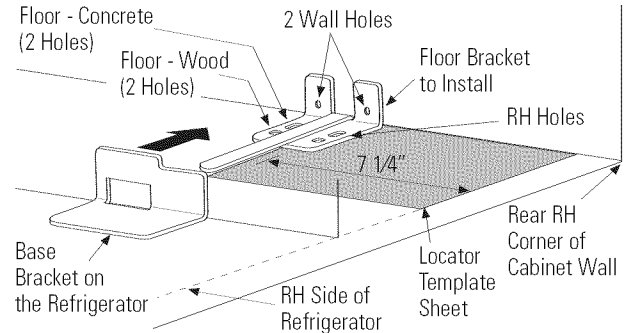
Be sure to account for any countertop overhang, baseboard thickness and any clearance desired. Width, W, should not be less than 36 inches. The refrigerator will be placed approximately in the middle of this opening.



STEP 2 LOCATE ANTI-TIP BRACKET

- A. Place the anti-tip floor bracket locator template (included inside the anti-tip kit) onto the floor up against the rear wall, within W, and in line with the desired location of the RH side of the refrigerator (see Figure 1).

Figure 1 – Installation Overview



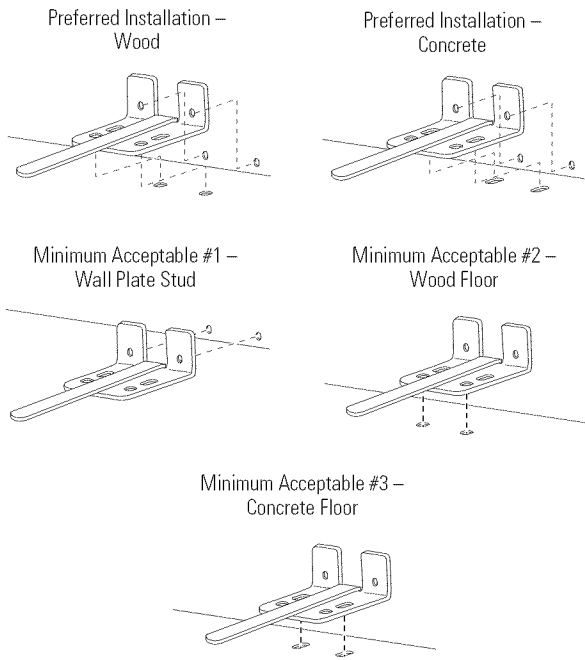
- B. Place the anti-tip floor bracket onto the locator template with its RH floor holes lined up with the floor holes indicated on the template sheet, approximately 7-1/4" from the edge of the sheet or the RH side of the refrigerator.
- C. Hold down in position and use the anti-tip floor bracket as a template for marking the holes based upon your configuration and type of construction as shown in Step 3. Mark the hole locations with a pencil, nail or awl.

NOTE: It is REQUIRED to use at least 2 screws to mount the floor bracket (one on each side of the anti-tip floor bracket). Both must be into either the wall or the floor. Figure 2 indicates all the acceptable mounting configurations for screws. Identify the screw holes on the anti-tip floor bracket for your configuration.

Installation Instructions

STEP 2A LOCATE ANTI-TIP FLOOR BRACKET (CONT.)

Figure 2 – Acceptable Screw Placement Locations

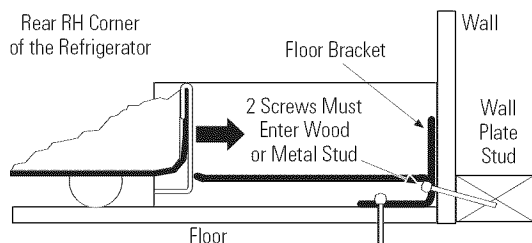


STEP 2B INSTALL ANTI-TIP BRACKET

WOOD Wall and Floor Construction:

- Drill the appropriate number of 1/8" pilot holes in the center of each floor bracket hole being used (a nail or awl may be used if a drill is not available) AND remove the locator template from the floor.
- Mount the anti-tip floor bracket by fastening the 2, or preferably 4, #10-16 hex-head screws tightly into place as illustrated in Figure 3.

Figure 3 – Attachment to Wall and Floor



STEP 2B INSTALL ANTI-TIP BRACKET (CONT.)

CONCRETE Wall and Floor Construction:

- Anchors required (not provided):
4 each 1/4" x 1 1/2" lag bolts
4 each 1/2" O.D. sleeve anchors
- Drill the recommended size holes for the anchors into the concrete at the center of the holes marked in Step 2.
- Install the sleeve anchors into the drilled holes. Place the anti-tip floor bracket as indicated in Step 2. Remove the locator template from the floor.
- Install the lag bolts through the anti-tip floor bracket and tighten appropriately.

WOOD Wall and TILE Floor Construction:

- For this special case, locate the 2 wall holes identified in Fig. 1. Drill an angled 1/8" pilot hole (approx. as shown in Fig. 3) in the center of each hole.
- Mount the anti-tip floor bracket using the Minimum Acceptable Installation #1, as illustrated in Fig. 2.

STEP 2C POSITION THE REFRIGERATOR TO ENGAGE THE ANTI-TIP FLOOR AND BASE BRACKETS

- Before pushing the refrigerator into the opening, plug the power cord into the receptacle and connect waterline (if equipped). Check for leaks.
- Locate the refrigerator's RH side and move back approximately in line with the RH side of the cabinet opening, W. This should position the anti-tip floor bracket to engage the anti-tip base bracket on the refrigerator.
- Gently roll the refrigerator back into the cabinet opening until it comes to a complete stop. Check to see if the refrigerator front lines up with the cabinet front face. If not, carefully rock the refrigerator forward and backward until engagement occurs and you notice that the refrigerator is fully pushed up against the rear wall.
- OPTIONAL: Adjust the rear (and front) wheel height settings to fully engage the rear anti-tip brackets, while also aligning the refrigerator front with the cabinet front face.

NOTE: If you pull the refrigerator out and away from the wall for any reason, make sure the anti-tip floor bracket is engaged when the refrigerator is pushed back against the wall rear wall.

Installation Instructions

STEP 3 INSTALL THE REFRIGERATOR

BEFORE MOVING REFRIGERATOR INDOORS

IMPORTANT: Doors and passageways into the installation location require a 31" min. opening. If the opening is less than 31", the top cap, doors and drawers must be removed. (See steps 4-6.)

NOTE: Skip steps 4-6 if door removal is not required. Go to page 9, Move The Refrigerator.

NOTE: To prevent damage, leave inside packaging, door spacer and outside protective wrap in place until the unit is moved to the installation location.

STEP 4 REMOVE THE FREEZER DRAWERS

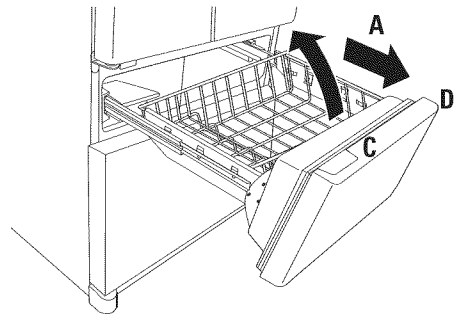
The freezer drawers can be removed, if needed, to fit through tight areas.

Read these instructions completely and carefully.

TOP DRAWER

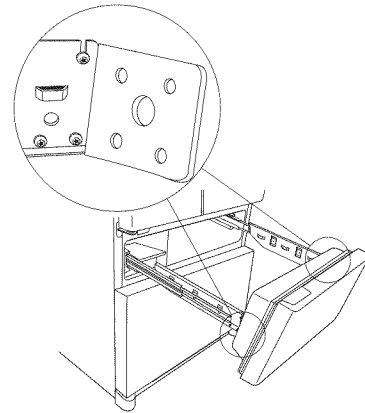
REMOVE THE BASKET

- Open the freezer drawer until it stops.
- Cut the 2 wire ties off of the basket with wire cutters.
- Lift the front end of the basket so that the front two alignment tabs come out of the slide bracket first.
- Then rotate the front edge of the drawer up while lifting the remaining two rear alignment tabs out of the slide bracket. Pull the basket up and out of the drawer.



REMOVE THE DRAWER FRONT FROM THE SLIDES

- Remove the 8 hex head screws from the door and remove the door.



- Set the drawer front on a non-scratching surface.
- Push the rail assemblies back into the cabinet.

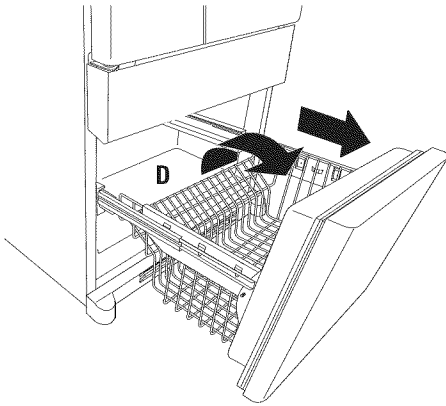
Installation Instructions

STEP 4 REMOVE THE FREEZER DRAWERS (CONT.)

BOTTOM DRAWER

REMOVE THE UPPER BASKET

- Open the bottom freezer drawer until it stops.
- Pull the basket out to the stop location.
- Lift the basket up at the front to release it from the slides.
- Lift the back up and out of the slide.

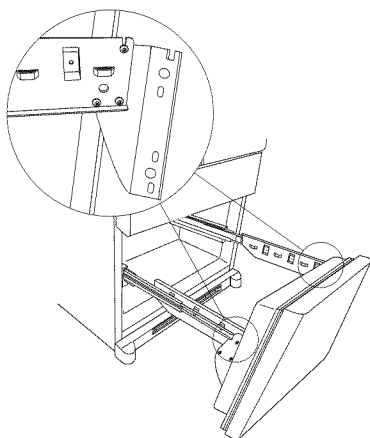


REMOVE THE LOWER BASKET

- Open the bottom freezer drawer until it stops.
- Lift the rear of the basket up so the two rear alignment tabs are pulled out of the slide bracket.
- Rotate the basket up and out of the drawer.

REMOVE THE DRAWER FRONT FROM THE SLIDES

- Remove the 10 hex head screws from the door and remove the door.

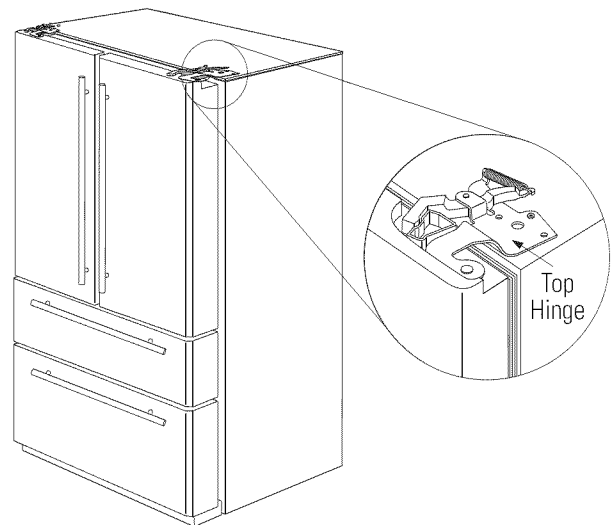
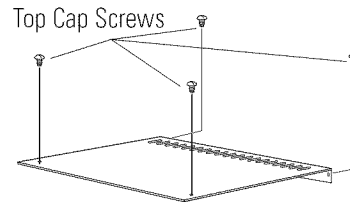


- Set the drawer front on a non-scratching surface.
- Push the rail assemblies back into the cabinet.

STEP 5 REMOVE THE FRESH FOOD DOORS

The top cap must be removed to access hinges. It is best to remove one door at a time.

- Remove 2 screws on top and 2 screws at the back of the top cap. Lift off top cap.
- Remove 2 screws holding top hinge to the case. Carefully lift off left and right side doors.

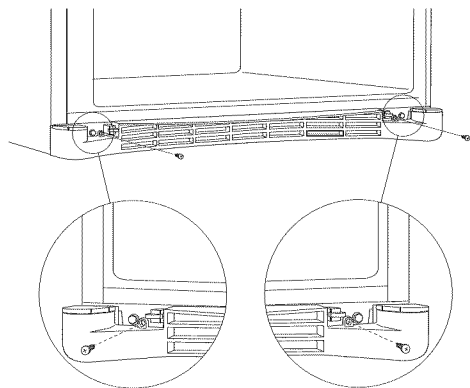


Installation Instructions

STEP 6 REMOVE THE TOEKICK

If, after removing the freezer drawers and refrigerator door, the refrigerator will still not fit through a doorway, the toekick can be removed.

- Remove the toekick by removing the 2 Phillips head screws.



STEP 7 MOVE THE REFRIGERATOR

- Place a piece of the carton or soft cloth against the side panel of the refrigerator to pad and protect the stainless steel finish.
- Place the refrigerator on the handtruck **with a side against the truck only.**
- Move the refrigerator indoors. Place refrigerator close to the installation location.

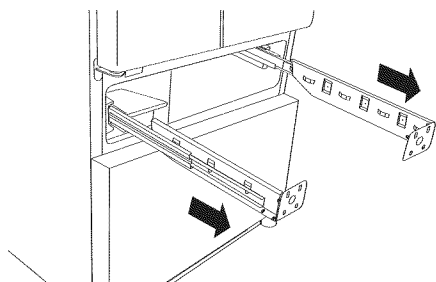
STEP 8 REPLACE THE FREEZER DRAWERS

- I** Two people may be required to complete this procedure.

TOP DRAWER

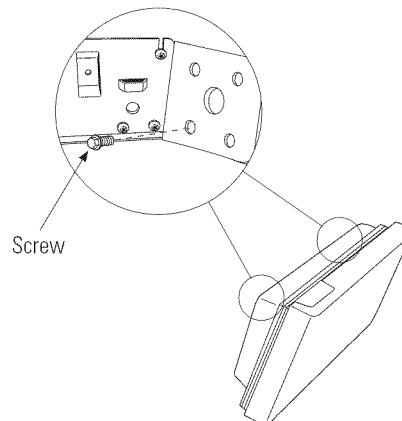
ATTACH AND SECURE THE DRAWER FRONT TO THE SLIDES

- A. Pull out the rail assemblies to the full length on each side of the cabinet.

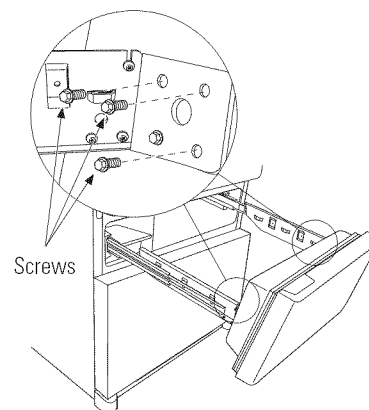


STEP 8 REPLACE THE FREEZER DRAWERS (CONT.)

- B. Drive the bottom outside screw into the door on each side until it is all the way in.

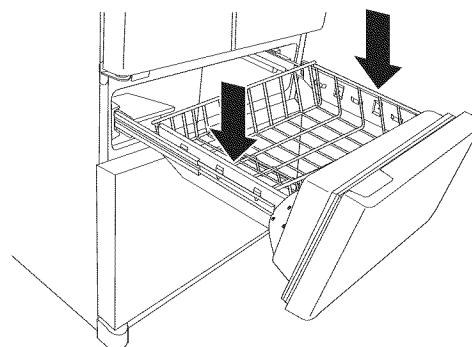


- C. Drive the remaining 3 screws on each side all the way into place (there are a total of 8 hex-head screws).



REPLACE THE FREEZER BASKET

Replace the top drawer freezer basket.



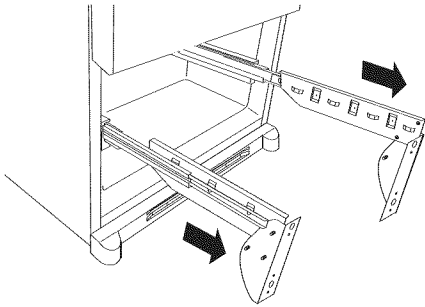
Installation Instructions

STEP 8 REPLACE THE FREEZER DRAWERS (CONT.)

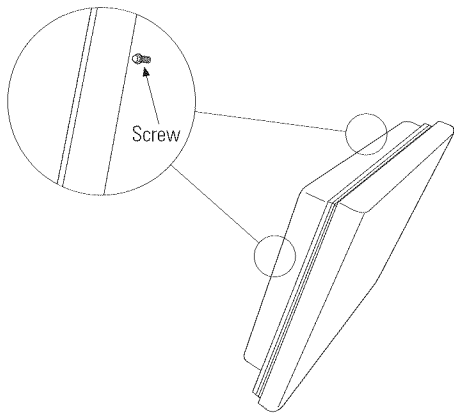
BOTTOM DRAWER

ATTACH AND SECURE THE DRAWER FRONT TO THE SLIDES

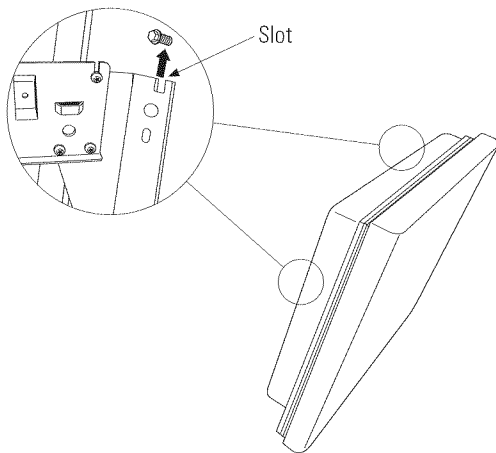
- A. Pull out the rail assemblies to the full length on each side of the cabinet.



- B. Drive the top screw into the door on each side until it is 1/2 way in.

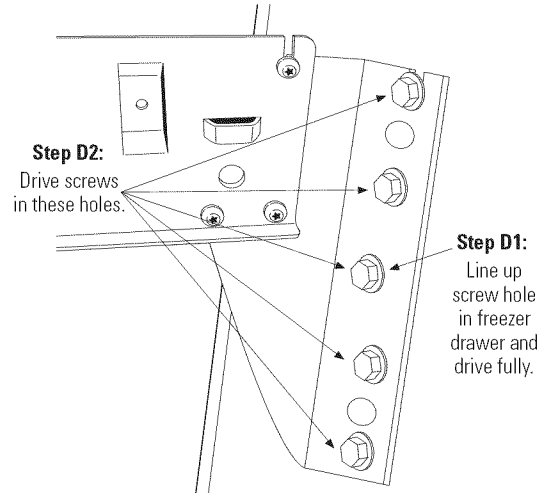


- C. Hang the drawer front onto the open slots on the slides.



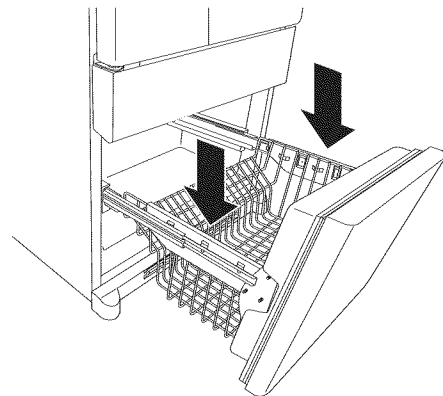
STEP 8 REPLACE THE FREEZER DRAWERS (CONT.)

- D. Drive the screws fully.
(There are 10 screws, 5 on each side.)



REPLACE THE FREEZER BASKET

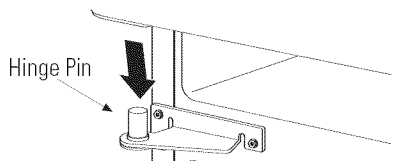
- Replace the bottom drawer freezer basket by lowering it into the frame.



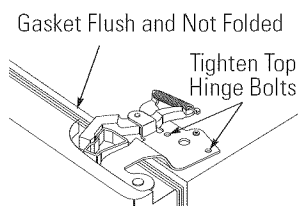
Installation Instructions

STEP 9 REPLACE FRESH FOOD DOORS

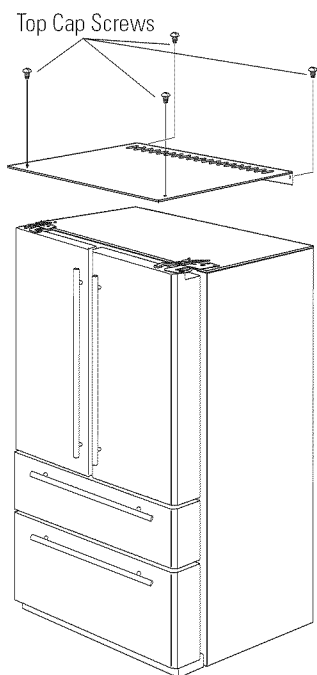
- A. Lower the refrigerator door onto the center hinge pin. Ensure that the plastic hinge pin thimble is on the center hinge pin or inside door hinge pin hole located in the bottom of the door.



- B. Securely tape the door shut with masking tape or have a second person support the door.
- C. Insert the top hinge pin into the hinge hole on top of the refrigerator door. Make sure the door is aligned with the cabinet and opposite door. Attach the hinge to the top of the cabinet loosely with the bolts.
- D. Make sure the gasket on the door is flush against the cabinet and is not folded. Make sure the door is straight and the gap between the doors is even across the front. While holding the aligned door in place, tighten the top hinge bolts.



- E. Follow the same procedure on the opposite door.
- F. Reinstall the top cap using the 4 screws removed earlier.



STEP 10 INSTALL WATER LINE

- A cold water supply is required for automatic icemaker operation. The water pressure must be between 40 and 120 p.s.i.
- Route GE SmartConnect™ Refrigerator Tubing or 1/4" OD copper tubing between house cold water line and the water connection location.
- Measure the distance from the water valve on the back of the refrigerator to the water supply line. Add 8 foot length to allow the refrigerator to be moved away from the wall after installation. Bend the tubing into 3 coils of about 10".

NOTE: The only GE approved plastic tubing is supplied in GE SmartConnect™ Refrigerator Tubing kits. Do not use any other plastic water supply line because the line is under pressure at all times. Certain types of plastic will crack or rupture with age and cause water damage to your home.

GE SmartConnect™ Refrigerator Tubing Kits are available in the following lengths:

2' (0.6 m)	- WX08X10002
6' (1.8 m)	- WX08X10006
15' (4.6 m)	- WX08X10015
25' (7.6 m)	- WX08X10025

Shut off the main water supply.

Turn on the nearest faucet long enough to clear the line of water.

- Install a shut-off valve between the icemaker water valve and cold water pipe in a basement or cabinet. The shut-off valve should be located where it will be easily accessible.
- Turn on the main water supply and flush debris. Run about a quart of water through the tubing into a bucket. Shut off water supply at the shut-off valve.

NOTE: Saddle type shut-off valves are included in many water supply kits, but are not recommended for this application.

NOTE: Commonwealth of Massachusetts Plumbing Codes 248CMR shall be adhered to. Saddle valves are illegal and use is not permitted in Massachusetts. Consult with your licensed plumber.

Installation Instructions

STEP 10A WATER LINE INSTALLATION WITH A REVERSE OSMOSIS SYSTEM

Skip this step when not using RO System.

If the water supply to the refrigerator is from a Reverse Osmosis Water System, use the refrigerator's filter bypass plug.

You must also use the filter bypass plug when a replacement filter cartridge is not available. The icemaker will not operate without the filter or filter bypass plug.

Replacement Filters:

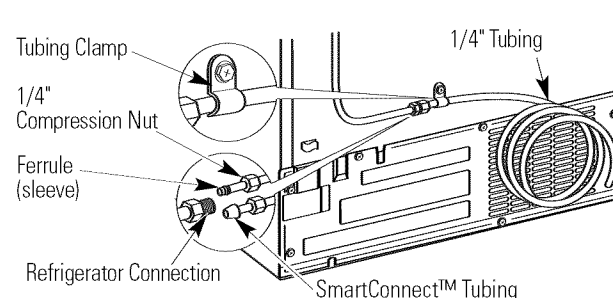
To order additional filter cartridges in the United States, visit our Website, ge.com, or call GE Parts and Accessories, 800.626.2002.

Filter Model GSWF

Customers in Canada should consult the yellow pages for the nearest Mabe Service Center.

STEP 11 CONNECT WATER SUPPLY

Check to be sure that refrigerator power cord is not plugged into the wall outlet.



If you are using copper tubing:

- Place compression nut and ferrule (sleeve) onto the end of the tubing coming from the house water supply.
- Insert the end of the copper tubing into the refrigerator connection at the back of the refrigerator, as far as possible. Hold the tubing in place and tighten the fitting.

If you are using GE SmartConnect™ tubing:

- Insert the molded end of the tubing into the refrigerator connection, at the back of the refrigerator, and tighten the compression nut until it is hand tight.
- Then tighten one additional turn with a wrench. Overtightening may cause leaks.
- Fasten the tubing into the clamp provided to hold it in position. You may need to pry open the clamp.
- Turn on the water at the shut-off valve to check for leaks.

STEP 12 CONNECT POWER

- Connect refrigerator power cord plug to a properly grounded receptacle.
- Check to make sure power to refrigerator is on by opening refrigerator door to see if interior lights are on.

STEP 13 MOVE REFRIGERATOR INTO POSITION

- Remove outside protective wrapping.
- Move the refrigerator into final installation position.
- Remove door spacer, if not removed earlier, and all inside packaging.

Installation Instructions

STEP 14 LEVEL THE REFRIGERATOR

Adjust the Rollers

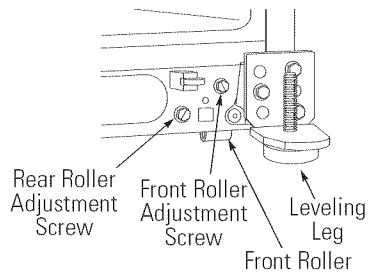
The refrigerator can be leveled by adjusting the rollers, front and rear.

Rollers have three purposes:

- The rollers adjust so that the door closes easily when opened about halfway. (Raise the front about 5/8" [16 mm] from the floor.)
- Rollers adjust to allow the refrigerator to be firmly positioned on the floor and to prevent rocking when the doors are opened and closed.
- The rollers allow you to move the refrigerator from the wall for cleaning.

To Adjust the Rollers:

- Use a 3/8" hex socket or wrench to turn the adjustment screws. Turn the screws clockwise to raise the refrigerator, turn counterclockwise to lower it.
- Use a 5/16" hex socket to turn the screws for the rear rollers. Turn the screws clockwise to raise the refrigerator, counterclockwise to lower it.



Adjust the Leveling Legs

The leveling legs have two purposes:

- Leveling legs adjust so the refrigerator is firmly positioned on the floor and does not wobble.
- Leveling legs serve as a stabilizing brake to hold the refrigerator securely in position during operation and cleaning. The leveling legs also prevent the refrigerator from tipping.

Turn the leveling legs clockwise to raise the refrigerator, counterclockwise to lower it.

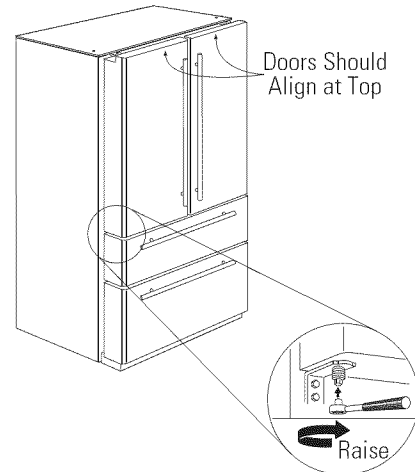
▲ CAUTION: To avoid possible personal injury or property damage, the leveling legs must be firmly touching the floor.

▲ PRUDENCE : Afin d'éviter toute blessure corporelle ou dommage matériel, les pieds de support doivent être en contact avec le sol.

STEP 15 LEVEL THE DOORS

If the doors are not evenly aligned at the top, the refrigerator door can be adjusted.

- Use a 7/16" hex socket or wrench to turn the door adjusting screw. Turn the screw to the right to raise the door, turn left to lower the door.



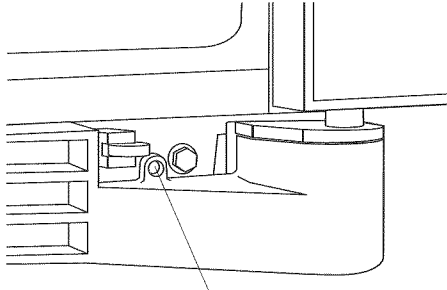
NOTE: A nylon plug is imbedded in the threads of the pin. The plug is designed to prevent the pin from turning. A wrench must be used to turn the pin.

- Turn the wrench one or two times. Open and close the refrigerator door to check alignment with the freezer door at the top. Adjust again if necessary.

Installation Instructions

STEP 16 INSTALL TOEKICK

- Press toekick into position and reinstall one screw on each side.



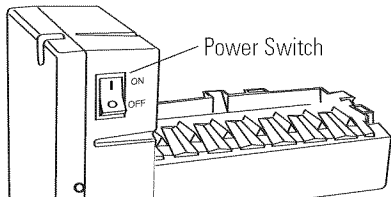
Toekick Screw

IMPORTANT: The vented toekick must remain unobstructed for proper air circulation.

STEP 18 TEMPERATURE CONTROLS

- The temperature controls are preset at 37°F for the refrigerator and 0°F for the freezer.
- Allow 24 hours to stabilize before making adjustments.

STEP 17 REMOVE PACKAGING START ICEMAKER



- Remove all tape, foam and protective packing from shelves and drawers.
- Remove the tie downs from the freezer baskets.

Set the icemaker power switch to the I (on) position. The icemaker will not begin to operate until it reaches its operating temperature of 15°F (-9°C) or below. It will then begin operation automatically. It will take 2-3 days to fill the ice bin.

NOTE: In lower water pressure conditions, the water valve may turn on up to 3 times to deliver enough water to the icemaker.

Notes

NOTE: While performing installations described in this book, safety glasses or goggles should be worn.

For Monogram® local service in your area, call 1.800.444.1845.

NOTE: Product improvement is a continuing endeavor at General Electric. Therefore, materials, appearance and specifications are subject to change without notice.

31-46515
225D1974P005

05-08 JR
Printed in Mexico



GE Consumer & Industrial
Appliances
General Electric Company
Louisville, KY 40225
ge.com