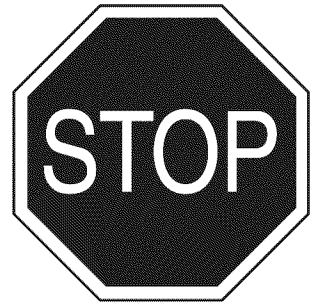


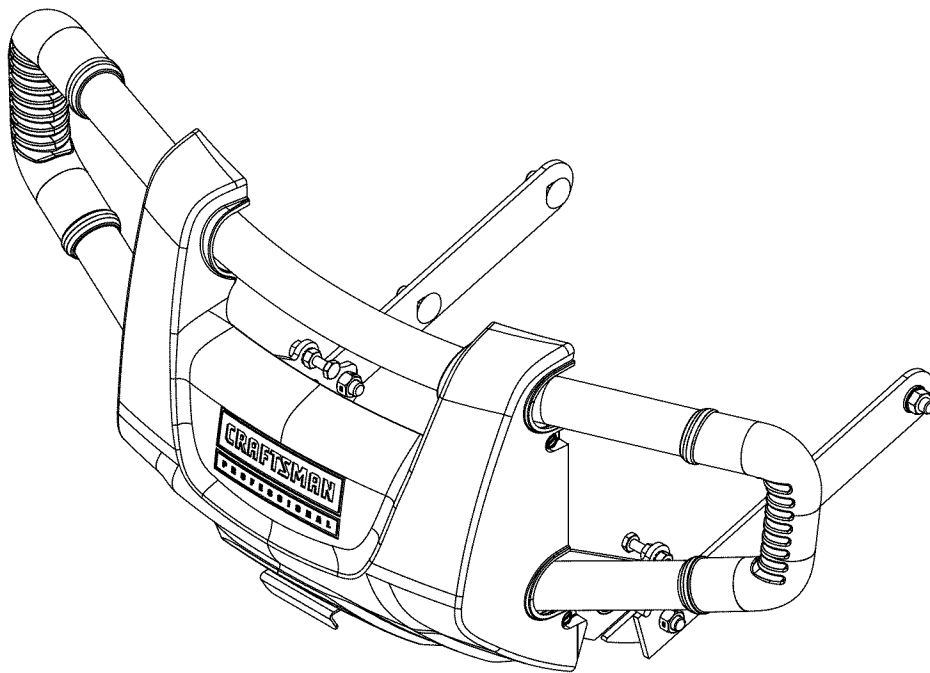
Operator's Manual



PROFESSIONAL BRUSH GUARD

DO NOT RETURN TO STORE
For Missing Parts or Assembly
Questions Call 1-866-576-8388

Model No. 421264



CAUTION:

Before using this product, read this manual and follow all Safety Rules and Operating Instructions.

- Safety
- Assembly
- Operation
- Maintenance
- Parts

Sears, Roebuck and Co., Hoffman Estates, IL 60179 U.S.A.
www.sears.com/craftsman

TABLE OF CONTENTS

SAFETY RULES.....	2	OPERATION.....	5
CARTON CONTENTS.....	2	REPAIR PARTS ILLUSTRATION.....	6
FULL SIZE HARDWARE CHART.....	3	REPAIR PARTS LIST.....	7
ASSEMBLY.....	4	PARTS ORDERING/SERVICE.....	BACK PAGE

SAFETY RULES

Any power equipment can cause injury if operated improperly or if the user does not understand how to operate the equipment. Exercise caution at all times when using power equipment.

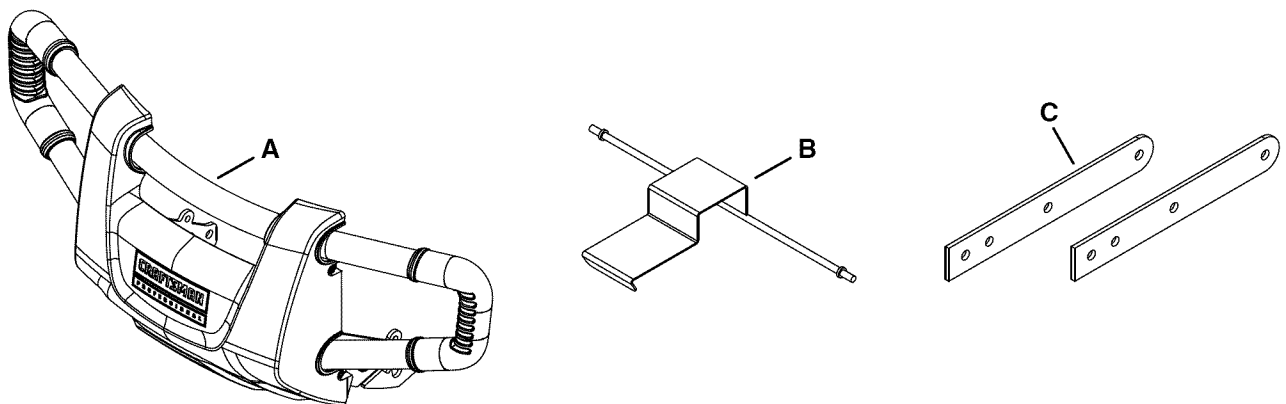
- Refer to your tractor owners manual for "Rules For Safe Operation".



Look for this symbol to point out important safety precautions. It means — **Attention!! Become alert!! Your safety is involved.**

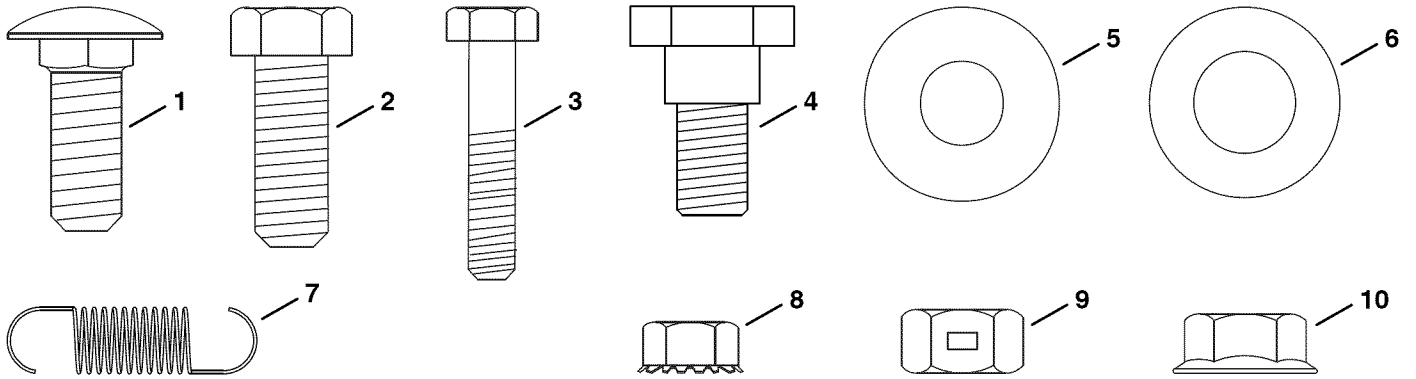
<p>The model number and serial numbers will be found on a decal attached to the Professional Brush Guard.</p> <p>You should record both the serial number and the date of purchase and keep in a safe place for future reference.</p>	<table style="width: 100%; border-collapse: collapse;"> <tr> <td style="width: 60%;">MODEL NUMBER:</td> <td style="text-align: right;">421264</td> </tr> <tr> <td>SERIAL NUMBER:</td> <td style="text-align: right;">_____</td> </tr> <tr> <td>DATE OF PURCHASE:</td> <td style="text-align: right;">_____</td> </tr> </table>	MODEL NUMBER:	421264	SERIAL NUMBER:	_____	DATE OF PURCHASE:	_____
MODEL NUMBER:	421264						
SERIAL NUMBER:	_____						
DATE OF PURCHASE:	_____						

CARTON CONTENTS



REF	QTY	DESCRIPTION	REF	QTY	DESCRIPTION
1	4	Brush Guard	3	2	Frame Brace
2	2	Latch			

FULL SIZE HARDWARE CHART



REF	QTY	DESCRIPTION	REF	QTY	DESCRIPTION
1	4	Carriage Bolt, 3/8-16 x 1"	6	2	Washer, .5312 x 1 x .0598"
2	2	Hex Bolt, 3/8-1 x 1"	7	2	Spring
3	2	Hex Bolt, 1/4-20 x 1-1/4"	8	4	Hex Nut (SIMS), 1/4"
4	2	Shoulder Bolt, 3/8-16	9	4	Lock Nut, 3/8"
5	2	Washer, 3/8"	10	4	Whizlock Nut, 3/8"

ASSEMBLY

TOOLS REQUIRED FOR ASSEMBLY

- (2) 7/16" Wrenches
- (2) 9/16" Wrenches
- (1) 3/4" Wrench



CAUTION! Muffler is hot! Allow engine to cool down before proceeding with bumper installation.

STEP 1: (SEE FIGURE 1)

- Slide the ends of the latch into the slots located on the bottom of the bumper.
- Push the front of the latch down past plastic shroud of bumper. Latch will be under the shroud and should appear as shown in figure 3 when assembled correctly.
- Attach one spring onto the rod on each side of the latch.

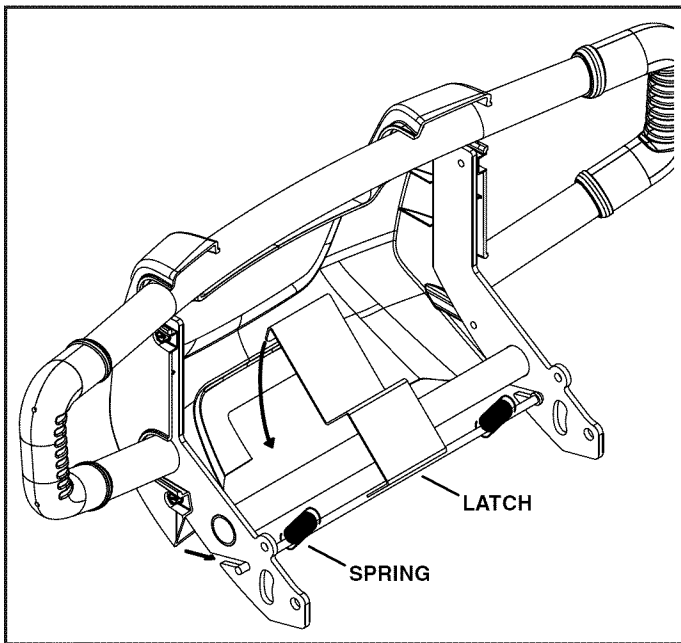


FIGURE 1

STEP 2: (SEE FIGURE 2)

- Insert 1/4 x 1-1/4" hex bolt through one of the springs.
- Assemble 1/4 x 1-1/4" hex bolt onto the bumper using two 1/4-20 hex nuts (SIMS) with end of bolt extending slightly through outside nut.
- Repeat for spring on other side.

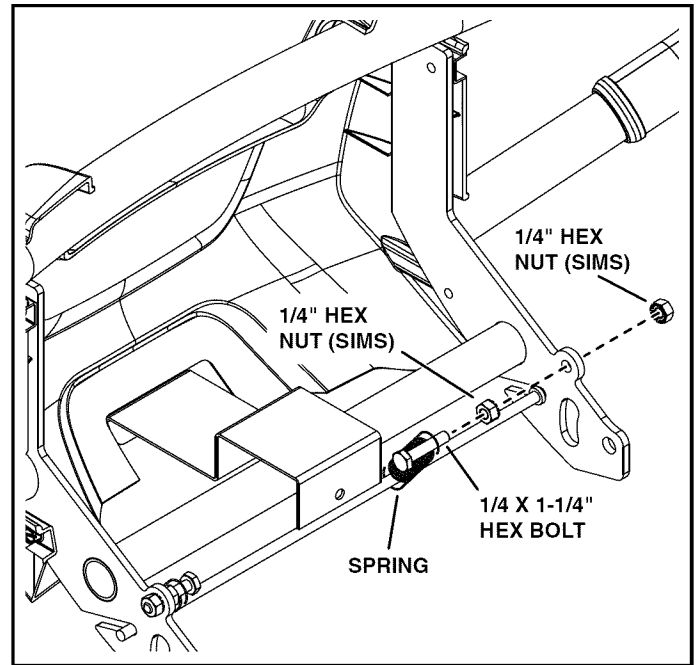


FIGURE 2

STEP 3: (SEE FIGURE 3)

- Assemble a 3/8 x 1" hex bolt, 3/8" washer, frame brace and 3/8" lock nut to the rear hole of the bumper.

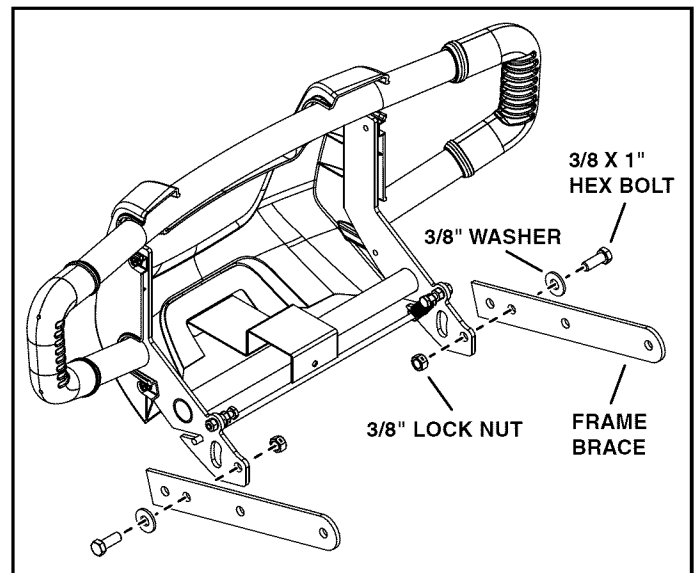


FIGURE 3

STEP 4: (SEE FIGURE 4)

- Assemble a shoulder bolt, large washer and 3/8" lock nut to the frame brace and slotted hole on each side of the bumper.

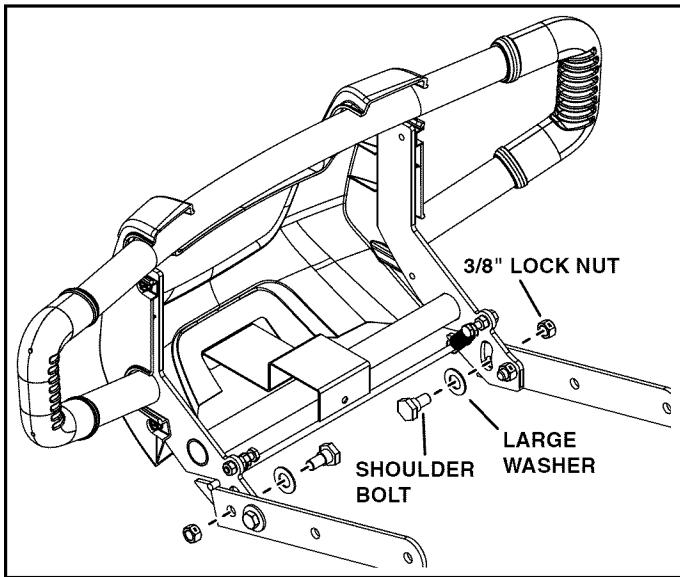


FIGURE 4

STEP 5: (SEE FIGURE 5)

- Fasten the frame braces to the tractor frame using four 3/8-16 x 1" carriage bolts and 3/8" whizlock nuts.

NOTE: Only tractor frame shown for clarity.

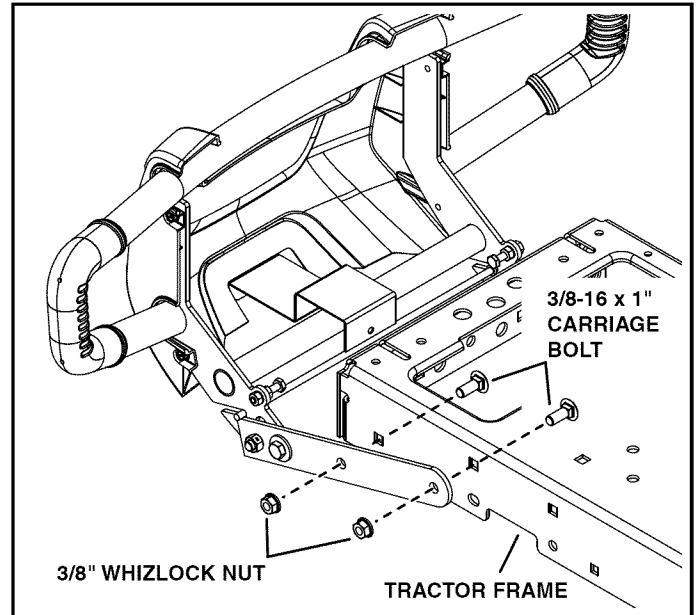


FIGURE 5

OPERATION

TILT BUMPER DOWN BEFORE RAISING TRACTOR HOOD: (SEE FIGURE 6)

- While pushing in lightly on top of bumper, pull latch under front of bumper.
- Keep latch pulled out and pull down on bumper.

LOCK BUMPER INTO UP POSITION: (SEE FIGURE 6)

- Push bumper up into position. Latch will lock bumper into place.

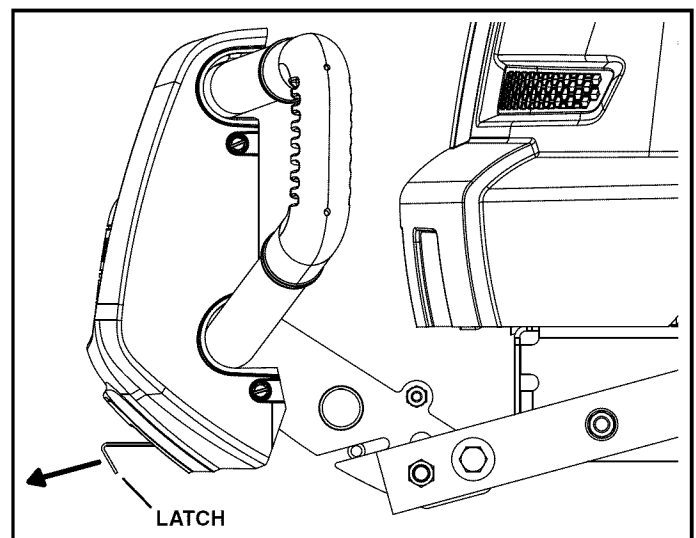
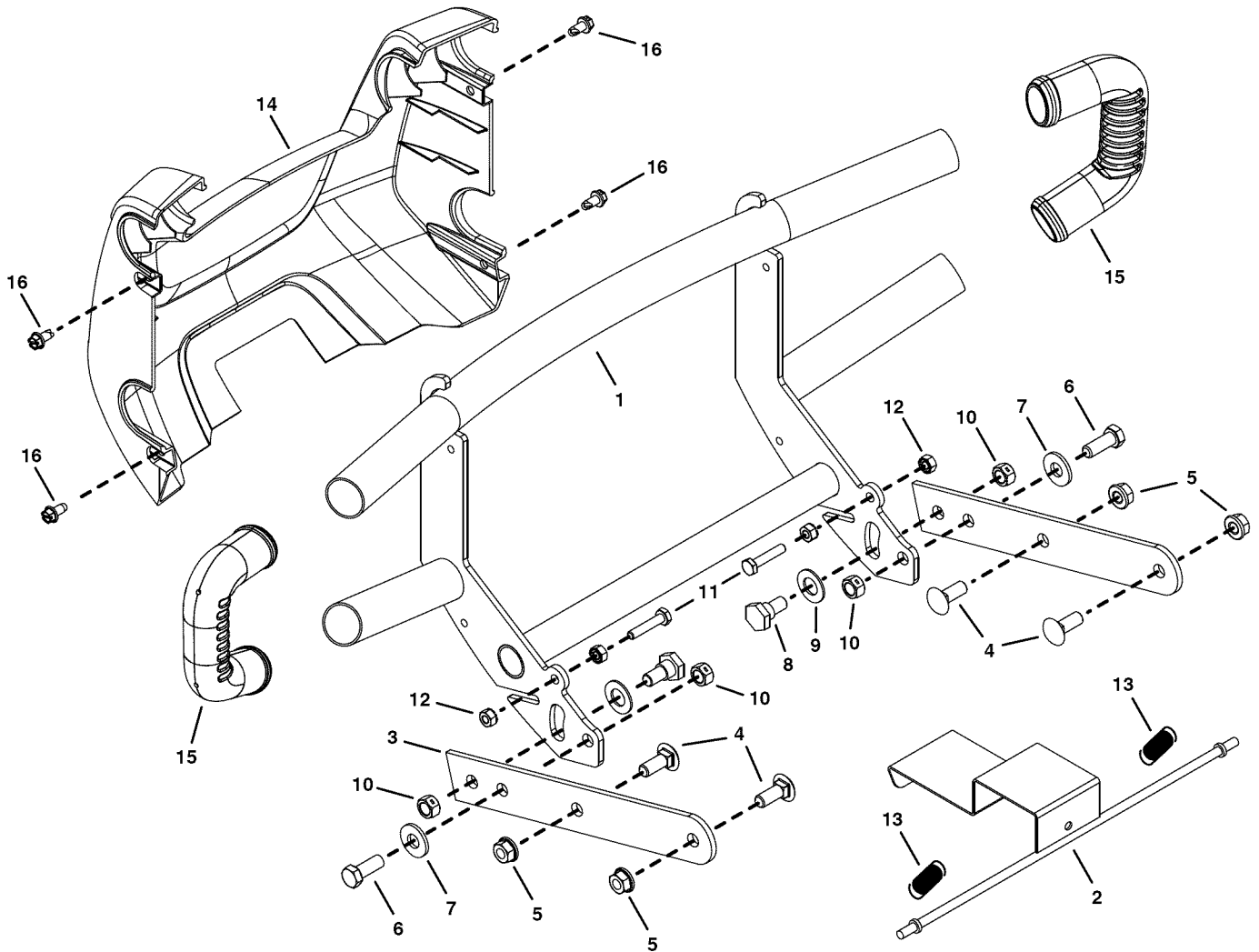


FIGURE 6

REPAIR PARTS ILLUSTRATION

MODEL #421264 PROFESSIONAL BRUSH GUARD



REPAIR PARTS LIST

MODEL #421264 PROFESSIONAL BRUSH GUARD

REF	QTY	PART NO.	DESCRIPTION	REF	QTY	PART NO.	DESCRIPTION
1	1	421265	Brush Guard Assembly	10	4	43082	Lock Nut, 3/8"
2	1	66696	Latch	11	2	1509-90	Hex Bolt, 1/4-20 x 1-1/4"
3	2	26729	Frame Brace	12	4	46978	Hex Nut (SIMS), 1/4"
4	4	43350	Carriage Bolt, 3/8-16 x 1"	13	2	42117	Spring
5	4	44072	Whizlock Nut, 3/8"	14	1	422753	Shroud
6	2	43001	Hex Bolt, 3/8-16 x 1"	15	2	422752	End Cap
7	2	43070	Washer, 3/8"	16	2	48840	Screw, 1/4-20 x 1/2"
8	2	48106	Shoulder Bolt, 3/8-16		1	42035	Owners Manual
9	2	R19171616	Washer, .5312 x 1 x .0598"				

Get it fixed, at your home or ours!

Your Home

For expert troubleshooting and home solutions advice:

manage my home

www.managemyhome.com

For repair – **in your home** – of **all** major brand appliances, lawn and garden equipment, or heating and cooling systems, **no matter who made it, no matter who sold it!**

For the replacement parts, accessories and owner's manuals that you need to do-it-yourself.

For Sears professional installation of home appliances and items like garage door openers and water heaters.

1-800-4-MY-HOME[®] (1-800-469-4663)

Call anytime, day or night (U.S.A. and Canada)

www.sears.com www.sears.ca

Our Home

For repair of carry-in items like vacuums, lawn equipment, and electronics, call anytime for the location of your nearest

Sears Parts & Repair Service Center

1-800-488-1222 (U.S.A.)

www.sears.com

1-800-469-4663 (Canada)

www.sears.ca

To purchase a protection agreement on a product serviced by Sears:

1-800-827-6655 (U.S.A.)

1-800-361-6665 (Canada)

Para pedir servicio de reparación a domicilio, y para ordenar piezas:

1-888-SU-HOGAR[®]

(1-888-784-6427)

Au Canada pour service en français:

1-800-LE-FOYER^{MC}

(1-800-533-6937)

www.sears.ca

