

Sears

operator's manual

- Assembly
- Operation
- Maintenance
- Repair Parts

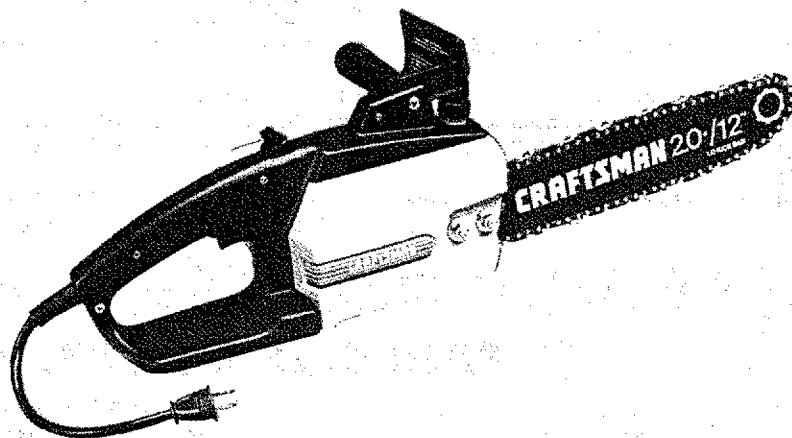
MODEL NO.

358.34020 - 2.0/12"
358.34030 2.0/14" P.S.



WARNING:

Carefully read and follow Safety Rules, Precautions and Operating Instructions. Failure to do so can result in serious personal injury.



CRAFTSMAN

2.0/12" - 2.0/14" P.S.

ELECTRIC CHAIN SAWS

Record in the space provided below the Model No. and Serial No. of your saw. These numbers are located on the starting instructions decal.

Model No. _____ Serial No. _____

Retain these numbers for future reference.

Sears, Roebuck and Co., Chicago, Ill. 60684 U.S.A.

FULL 1 YEAR WARRANTY ON ELECTRIC CHAIN SAW

(Excluding Bar & Chain)

For one year from date of purchase, Sears will repair defects in material or workmanship in this electric chain saw at no charge.

This warranty excludes bar & chain, which are expendable parts and become worn during normal use.

If this chain saw is used for commercial or rental purposes, this warranty applies for only 30 days from date of purchase. WARRANTY SERVICE IS AVAILABLE BY RETURNING THE CHAIN SAW TO THE NEAREST SEARS SERVICE CENTER IN THE UNITED STATES.

This warranty gives you specific legal rights, and you may also have other rights which vary from state to state.

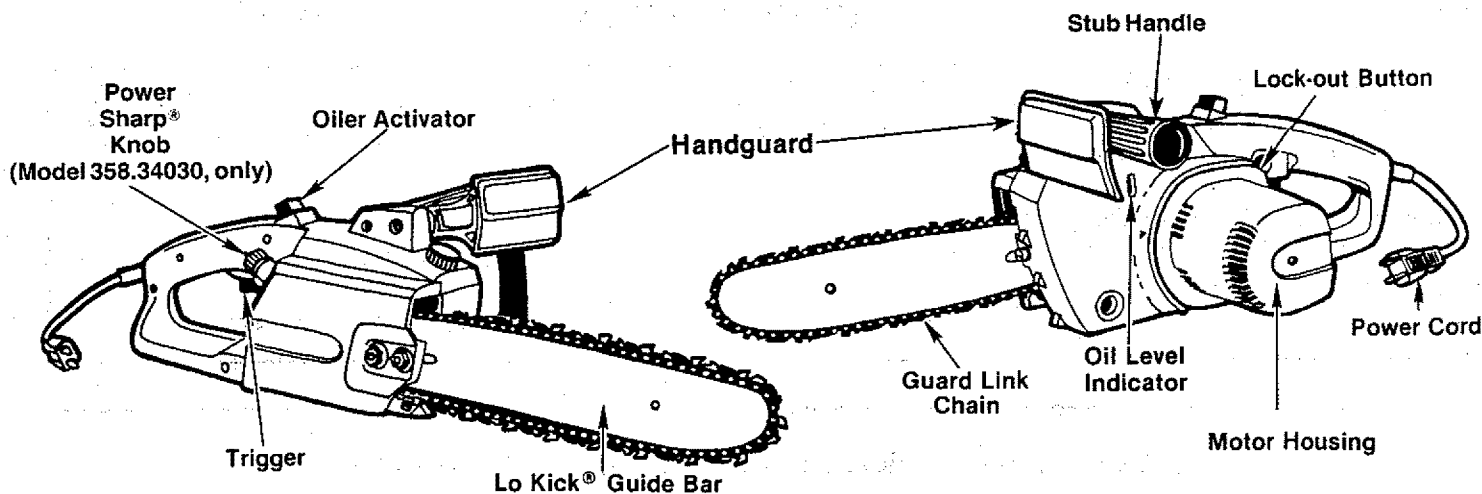
Sears, Roebuck and Co., Sears Tower, Dept. 698/731A, Chicago, IL 60684

TABLE OF CONTENTS

Specifications	2	D. Starting and Stopping the Saw	10
Safety Rules and Precautions	3	Using the Power Sharp® System	11
Know Your Chain Saw	5	Types of Cutting	13
A. Introduction	5	A. Basic Cutting Technique	13
B. Double Insulation	5	B. Tree Felling Techniques	13
C. Carton Contents	5	C. Bucking	15
Preparing Your Saw For Use	5	D. Debranching and Pruning	16
A. Getting Ready	5	Maintenance	17
B. Power Source and Extension Cord	5	A. Cleaning the Saw	17
C. Attaching the Bar and Chain	6	B. Guide Bar and Chain	17
D. Chain Tension	7	C. Sprocket	19
E. Bar and Chain Oil	8	D. Storage	20
Using Your Saw	8	E. Maintenance Accessories	20
A. Control Devices	8	F. Trouble Shooting Chart	21
B. Controlling Kickback	9	Parts List	22
C. Pre-Operation Checks	10	Quick Reference Page	27

SPECIFICATIONS

MODEL	358.34020 (2.0/12")	358.34030 (2.0/14" P.S.)
POWER SUPPLY	110-120 Volts AC 50-60 Hz	110-120 Volts AC 50-60 Hz
RATED CURRENT	12 Amps	12 Amps
MAXIMUM MOTOR OUTPUT	2.0 Horsepower	2.0 Horsepower
SPROCKET/DRIVE	6 Tooth-Slip Clutch	6 Tooth-Slip Clutch
CHAIN—Oregon*	3/8 Pitch, Low Profile Chromed Cutters - Xtra-GUARD	3/8 Pitch, Low Profile, Power Sharp® Chromed Cutters
GUIDE BAR—Lo-Kick®	12" Sprocket Nose	14" Sprocket Nose
OILER	Manual	Manual & Automatic
CHAIN SHARPENING	Manual	Power Sharp® System



SAFETY RULES AND PRECAUTIONS


WARNING!

Because a chain saw is a high-speed wood-cutting tool, special safety precautions must be observed to reduce the risk of personal accidents. Careless or improper use may cause serious injury.

A. KNOW YOUR SAW

1. Read your Operator's Manual carefully until you completely understand and can follow all safety rules and operating instructions *before* attempting to operate the unit.
2. Restrict the use of your saw to adult users who understand and follow the safety rules, precautions, and operating instructions found in this manual.

B. PLAN AHEAD

1.  Wear personal protective gear. Always use steel-toed safety footwear with non-slip soles; snug-fitting clothing with reinforced cutting resistant inserts; heavy-duty non-slip gloves; appropriate eye protection such as non-fogging, vented goggles or face screen; an approved safety hard hat, and sound barriers — ear plugs or mufflers to protect your hearing. Regular users should have hearing checked regularly as chain saw noise may damage hearing.
2. **Keep children, bystanders, and pets out of the work area.** Do not allow other people to be near the chain saw when starting or operating the chain saw.
3. **Do not handle or operate a chain saw when you are fatigued, ill, or upset; or if you have taken alcohol, drugs or medication.** You must be in good physical condition and mentally alert. Chain saw work is strenuous. If you have any condition that might be aggravated by strenuous work, check with your doctor before operating a chain saw.
4. **Do not attempt to use your saw during bad weather conditions** such as strong wind, rain, snow, etc., or during darkness.
5. **Plan your sawing operations carefully in advance.** Do not start cutting until you have a clear work area, secure footing, and if you are felling trees, a planned retreat path.

C. GUARD AGAINST KICKBACK

Kickback can lead to dangerous loss of control of the saw and possibly cause serious personal injury. Kickback is the upward and backward motion of the guide bar that occurs when the moving chain contacts an object at the tip of the guide bar.

To reduce the hazard of kickback:

1. **Hold the saw firmly with both hands.** Left hand on front handle bar, right hand on rear handle *whether you are right-handed or left-handed.* Never use the saw with one hand.
2. **Do not overreach.**
3. **Do not let the tip of the guide bar contact the ground, another log, branch, or any other obstruction.**
4. **Start the motor and see that the chain is moving at full speed before beginning or entering a cut.**
5. **Cut one log at a time.**
6. **Use extreme caution when re-entering a previous cut.**
7. **Do not attempt plunge cuts.**
8. **Watch for shifting logs or other forces that could close a cut and pinch the chain.**
9. **Do not cut above shoulder height.**
10. **Follow manufacturer's chain sharpening and maintenance instructions.** Keep the chain properly tensioned. Check tension at regular intervals with the engine stopped, never with the engine running. Make sure the bar clamp nuts are securely tightened after tensioning the chain.
11. **Use the specific Chain and Lo-Kick® Guide Bar** designed for your saw to reduce the hazard of kickback.

D. AVOID REACTIVE FORCES

Pushback and Pull-in occur when the chain is suddenly stopped by being pinched, caught, or by contacting a foreign object in the wood. This results in a reversal of the chain force used to cut wood and causes the saw to move in the opposite direction of chain rotation, resulting in loss of control and possible serious personal injury.

To avoid Pushback:

1. **Be extremely aware of situations or obstructions** that may cause material to pinch the top of or otherwise stop the chain.
2. **Do not cut more than one log at a time.**
3. **Do not twist the saw** as the bar is withdrawn from an under-cut when bucking.

To avoid Pull-In:

1. **Always begin cutting with the motor running and the saw housing against the wood.**
2. **Use wedges made of plastic, wood, or light alloy (never of steel or iron)** to hold the cut open.

E. OPERATE YOUR SAW SAFELY

1. Do not operate a chain saw that is damaged, improperly adjusted, or not completely and securely assembled.
2. Do not use the saw if the trigger switch does not turn the unit on and off properly. Repairs to the trigger switch must be made by your Sears Service Center.
3. Do not operate the saw from a ladder or in a tree.
4. Position all parts of your body to the left of cut when the motor is running.
5. Cut wood only. Do not use a chain saw for any purpose other than those described in this manual.
6. Make sure the chain will not make contact before starting the motor. Never try to start the saw when the guide bar is in a cut or kerf.
7. Use extreme caution when cutting small size brush and saplings. Slender material may catch the saw chain and be whipped toward you or pull you off balance.
8. Be alert for springback when cutting a limb that is under tension to avoid being struck by the limb or saw when the tension in the wood fibers is released.
9. Do not force the saw through a cut. Exert light pressure only. Pressure on the saw at the end of a cut could cause loss of control when the cut is completed.
10. Avoid body contact with the chain anytime the saw is plugged into a power source. The chain will continue to move for a short time after the trigger is released.
11. Unplug the power connection when the saw is not in use.

F. MAINTAIN YOUR SAW IN GOOD WORKING ORDER

1. Unplug the saw before servicing or changing accessories.
2. Have all chain saw service performed by your Sears Service Center, other than the service described in the maintenance section of this manual.

3. Keep chain and guide bar clean and properly lubricated.
4. Keep oil cap, screws and fasteners tight.
5. Keep the handles dry, clean, and free of oil.
6. Stop the saw if the chain strikes a foreign object. Check for alignment, binding, breakage, and mounting of moving parts and any other condition that may affect the operation of the unit. Check guards and all other parts to see if each will operate properly and perform its intended function. Any part that is damaged should be properly repaired or replaced by using the instructions in this manual or by seeing your Sears Service Center.
7. Be certain the saw chain stops moving when the trigger switch is released.
8. Make certain that all hand tools are removed from the saw before connecting the saw to the power source.
9. Make sure all replacement parts are genuine recommended parts.
10. Never modify your saw in any way. Use only attachments supplied or specifically recommended by Sears.

G. CARRY AND STORE YOUR SAW SAFELY

1. Never carry your saw while climbing. Both hands are needed for safe climbing.
2. Carry the unit unplugged, by the front handle, finger off the trigger switch, and with the guide bar and chain to the rear.
3. Carry the saw with guide bar and chain covered by the scabbard.
4. Before transporting in any vehicle or storing in any enclosure, allow your saw to cool completely, cover the bar and chain and properly secure to avoid turnover or damage.
5. Drain oil tank before storing your saw for 30 or more days.
6. Store in a dry area out of the reach of children.

SAVE THESE INSTRUCTIONS

KNOW YOUR CHAIN SAW

A. INTRODUCTION

The information found in this manual will help you properly prepare your chain saw for use, understand how to operate your saw safely, and perform maintenance required to keep your unit in good working condition.

Your saw has been designed with safety in mind and includes the following safety features as standard equipment:

- Handguard
- Lo-Kick® Guide Bar
- Guard Link Chain

The chain saw should never be operated unless these devices are properly installed on the unit.

The Lo-Kick® Guide Bar and Guard Link Chain have been designed to help reduce the hazard of KICKBACK. You should thoroughly read and understand the section, "CONTROLLING KICKBACK" on page 9 and 10.

B. DOUBLE INSULATION

Your Chain Saw is double insulated to help protect against electric shock. A double insulated tool is constructed throughout with two separate "layers" of electrical insulation or one double thickness of insulation between the operator and the electrical system of the tool.

Tools built with this insulation system are not intended to be grounded. As a result, the extension cord used with your saw can be plugged into any conventional 120 volt electrical outlet without concern for maintaining a ground connection.

Safety precautions must be observed when operating any electrical tool. The double insulation system only supplies added protection against injury resulting from a possible electrical insulation failure within the saw.

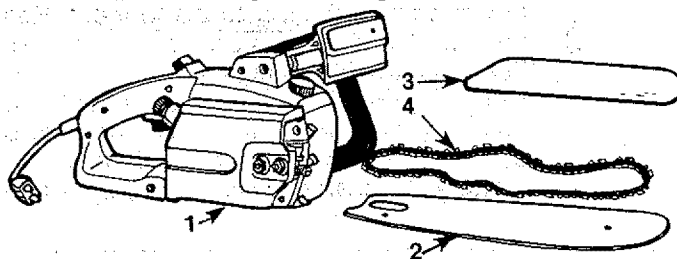
WARNING!

All electrical repairs to this saw, including housing, switch, motor, etc., must be diagnosed and repaired by your Sears Service Center or nearest Sears store. Failure to do so could cause the double insulation construction to become ineffective and result in serious personal injury.

C. CARTON CONTENTS

After you unpack the carton:

1. Check the contents against the list below.
2. Examine the items for damage.
3. Notify your Sears Store immediately if a part is missing or damaged.



KEY NO.	CARTON CONTENTS:	QTY.
1	Powerhead	1
2	Guide Bar	1
3	Scabbard	1
—	Loose Parts Bag (not shown)	1
—	Operator's Manual(not shown)	1
4	Chain	1

PREPARING YOUR SAW FOR USE

A. GETTING READY

1. **READ YOUR OPERATOR'S MANUAL CAREFULLY.** Your Operator's Manual has been developed to help you prepare your saw for use and to understand its safe operation. It is important that you read your manual completely to become familiar with the unit *before* you begin assembly.

2. HAVE THE FOLLOWING AVAILABLE:

- a. Protective Gloves
- b. ½ inch wrench or equivalent
- c. Screwdriver
- d. Bar and Chain Lubricant (see page 8)

B. POWER SOURCE AND EXTENSION CORD

1. POWER SOURCE

Use only an A.C. voltage supply identical to that shown on the name plate of the saw to power this chain saw.

2. EXTENSION CORD

- a. The extension cord used to reach the power source must be:

- 1.) Specifically marked as suitable for out-

door use. The suffix, W-A, must be included on the cord label.

2.) **Heavy enough to carry the current from the power source to the distance at which the saw is to be used.** Otherwise, loss of power and overheating can occur causing damage to the unit. Refer to Figure 1 for minimum wire gauge recommendations.

3.) **In good condition.** Cord insulation must be intact with no cracks or deterioration. Plug connectors must be undamaged.

b. **Suitable extension cords are available at your Sears Retail or Catalog Store.**

3. IMPORTANT POINTS

a. **Secure the tool cord to the extension cord** as shown in Figure 2 to prevent disconnection.

b. **Do not abuse cords.** Never carry saw by the power cord or yank it to disconnect. Keep tool cord and extension cord away from heat, oil, and sharp edges.

c. **Guard against electric shock.** Avoid body contact with any grounded conductor, such as metal pipes and wire fences.

d. **Avoid entanglement.** Keep cords clear of

operator, saw chain, and branches at all times.

e. **Avoid dangerous situations.** Do not expose the saw to rain, or use in damp, wet, gaseous, or explosive locations.

f. **Inspect extension cords before each use.** Replace before using the saw if damaged.

g. **Inspect chain saw cord before each use.** Do not use the unit with a damaged cord. Take the unit to a Sears Service Center for repairs.

MINIMUM WIRE GAUGE RECOMMENDATIONS				
AMP	VOLTS	25 FT.	50 FT.	100 FT.
12	120	16 A.W.G.	14 A.W.G.	10 A.W.G.

Figure 1

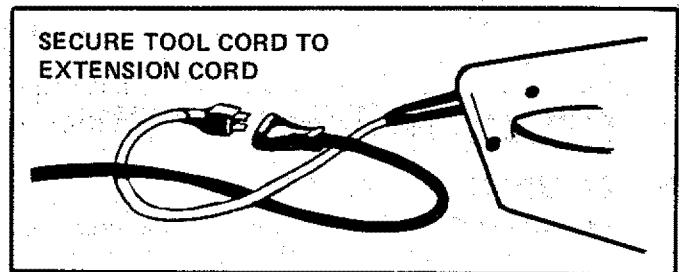


Figure 2

C. ATTACHING THE BAR AND CHAIN

- Your saw is equipped with a Lo-Kick® Guide Bar and a Guard Link Chain designed to help reduce kickback.

- Always use the Lo-Kick® Guide Bar and the specific Chain recommended for your particular saw, when replacing these parts.

CAUTION: Wear protective gloves when handling or operating your saw. The chain is sharp and can cut you even when it is not moving!

1. Remove the Bar Clamp Nuts & Bar Clamp Housing.

2. Turn the Adjusting Screw counterclockwise to position the Adjusting Pin nearly as far as it will go to the rear. Figure 3.

3. Place the Guide Bar on the saw by fitting the long slot in the Guide Bar over the two mounting studs. Figure 4.

NOTE: Be sure the Guide Bar is positioned with the round hole below the large slot.

WARNING!

Avoid accidental starting. Always unplug the saw from the power source before installing a bar and/or chain.

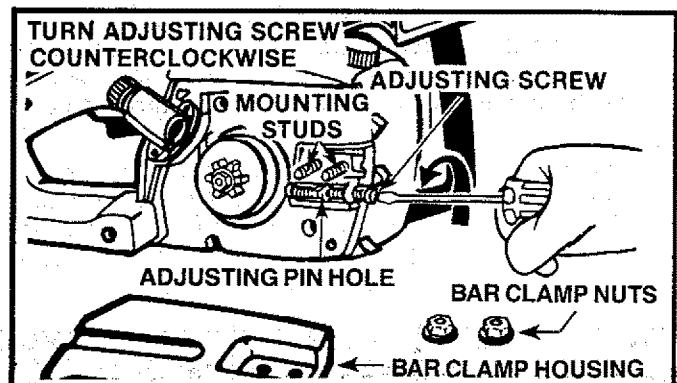


Figure 3

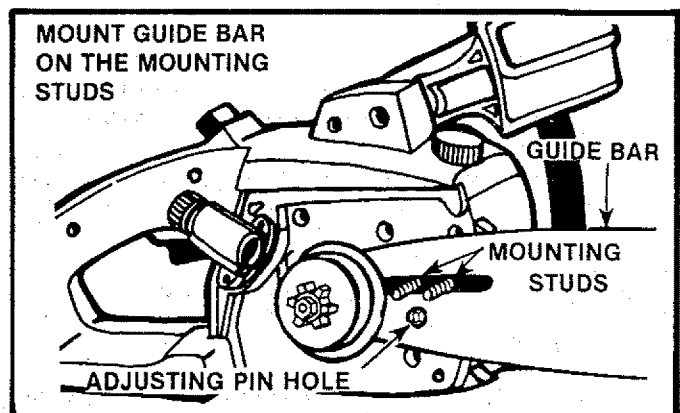


Figure 4

4. Hold chain with cutters facing as shown in Figure 5.
5. Place the chain around the sprocket and fit the drive links into the Guide Bar grooves — first the top and then the bottom groove. Figure 6.
6. Slide the bar forward and fit the adjusting pin into the round hole in the Guide Bar. Figure 7.
7. Hold the Guide Bar against the saw frame and install the Bar Clamp Housing. Figure 7.
8. Secure the Bar Clamp Housing with the Bar Clamp Nuts finger tight **only**.

NOTE: The Bar Clamp Nuts must be slightly loose for the chain to be tensioned properly.

9. Follow "Chain Tension" instructions below.

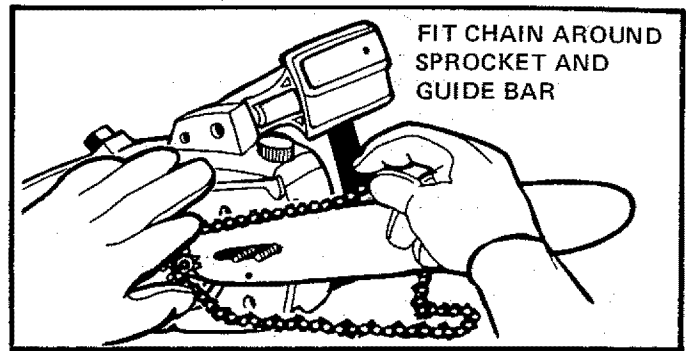


Figure 6

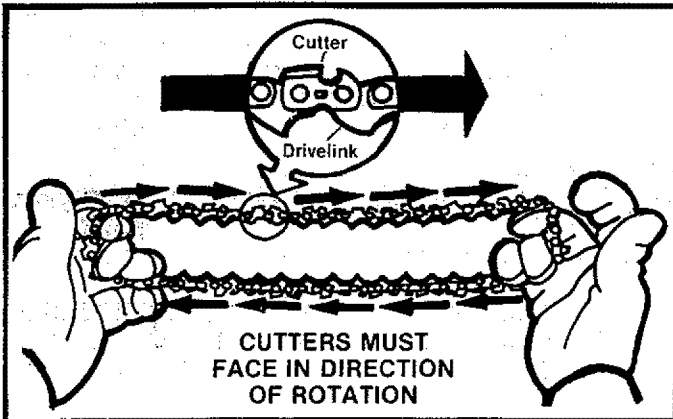


Figure 5

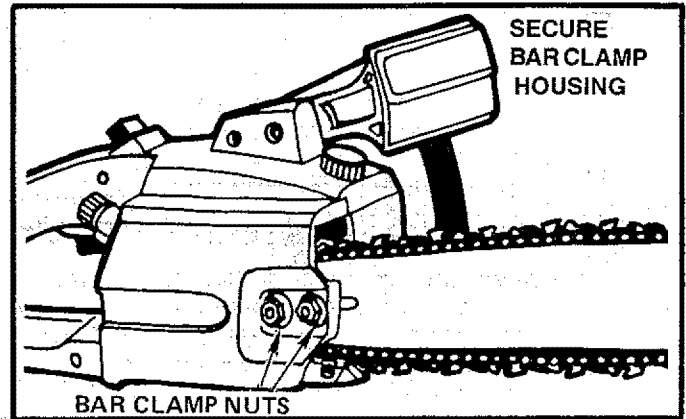


Figure 7

D. CHAIN TENSION

- **Chain tension is very important:**
 - A loose chain will wear the bar and itself.
 - A loose chain can jump off the bar while you are cutting.
 - A tight chain can damage the saw and/or break.
- **Chain tension is correct when the chain:**
 - can be lifted about 1/8" from the Guide Bar at a point near the middle of the bar, and
 - will move freely around the bar.
- **The Bar Clamp Nuts must be loosened to properly tension the chain.**
- **The chain stretches during use, especially when new. Check tension:**
 - each time the saw is used
 - more frequently when the chain is new
 - as the chain warms up to normal operating temperature

2. Check the tension by lifting the chain from the Guide Bar at the center of the bar. Figure 9.
3. Continue turning the Adjusting Screw until the tension is correct.
4. Hold the tip of the Guide Bar up and tighten the Bar Clamp Nuts with a wrench.
5. Recheck tension.

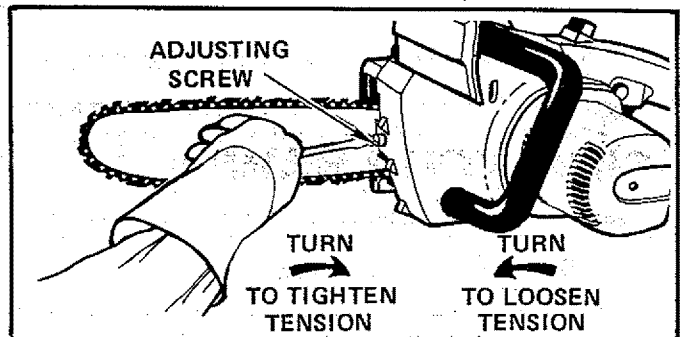


Figure 8

WARNING!
Avoid accidental starting. Always unplug the saw from the power source before adjusting chain tension.

1. Hold the tip of the Guide Bar up and turn the Adjusting Screw clockwise just until the chain does not sag beneath the Guide Bar. Figure 8.

NOTE: To tighten tension, turn the adjusting screw clockwise →. To loosen tension, turn the adjusting screw counterclockwise ←.

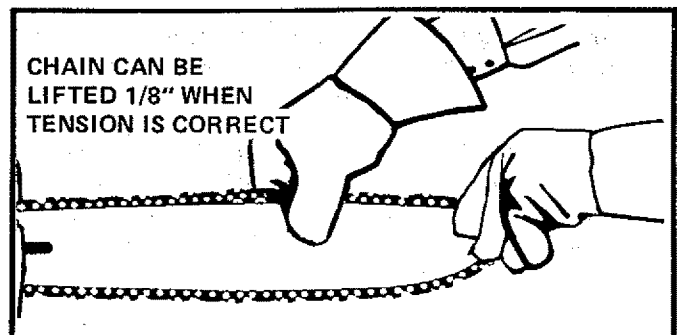


Figure 9

E. BAR AND CHAIN OIL

- The guide bar and cutting chain require continuous lubrication in order to remain in operating condition.
 - Lack of oil will quickly ruin the bar and chain.
 - Too little oil will cause overheating shown by smoke coming from the chain and/or discoloration of the guide bar rails.
- Use Sears Bar and Chain Lubricant #71-36554 to fill the oil tank. Clean SAE 30W oil may also be used. *Never use waste oil for this purpose.*

1. IMPORTANT POINTS

- Fill the oil tank every time you use the saw.
- Wipe off surfaces before filling with oil to avoid sawdust or debris accidentally falling into the tank and causing damage.
- Use a funnel to fill the tank and wipe up all spills. Do not use the saw until it is wiped clean and is completely dry from spilled oil.
- Replace the oil cap securely to ensure proper operation of the oiler.
- Check the oil level indicator frequently during use. Locate the indicator in the saw frame just below and behind the front handle. Figure 10. If oil is not visible in the slot when saw is upright on a level surface, the tank requires filling.
- Let saw stand unplugged for 15 minutes before storing. It is normal for a small amount of oil to drip off the bar and chain when the saw is not in use. The excess oil should be wiped from the saw before storing.

2. USING THE MANUAL OILER (Model 358.34020)

Model 358.34020 is equipped with an oiler activator which manually supplies oil to the bar and chain.

The oiler activator must be used regularly and

often enough to maintain a thin film of oil on the chain while the saw is cutting. It is recommended that the oiler activator be operated six (6) times a minute and held for approximately three (3) seconds each time it is pressed.

- Operate the oiler by pressing down on the oiler activator with your right thumb. Figure 10.
- Be sure that you continue to grip handles firmly while using the oiler activator.

3. USING THE AUTOMATIC OILER (Model 358.34030)

Model 358.34030 is equipped with an automatic and manual oiler. The automatic oiler supplies lubrication to the bar and chain at all times. The manual oiler can be used to prime or supplement the automatic oiler. It may be necessary to prime the automatic oiler when the saw is new, after the oil tank has been emptied, or after a storage period.

- Operate the manual oiler by pressing down on the oiler activator with your right thumb. Figure 10.
- Be sure that you continue to grip handles firmly while using the oiler activator.
- Prime the oiler by holding down the button for about 3 seconds with the saw running.
- Supplement the automatic oiler:
 - during a long felling cut.
 - when cutting a tree or log which is greater in diameter than the guide bar.
 - anytime an additional supply of oil is desired.

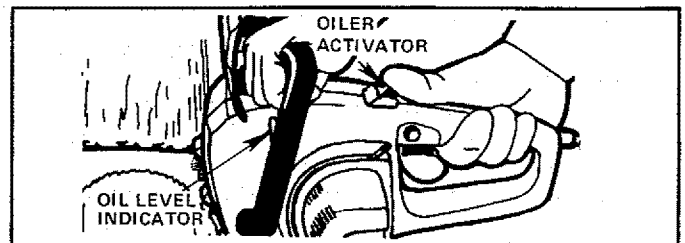


Figure 10

USING YOUR SAW

A. CONTROL DEVICES

Understanding the control devices on your saw is an important part of learning how to properly and safely operate the unit. Figure 11.

- The **Trigger Switch** starts or stops the motor and is located in the rear handle. The Trigger Switch is designed to be used with the Lockout Button.
- The **Lockout Button** is a control feature designed to prevent the motor from being accidentally started. When the rear handle is gripped in a normal cutting position, the Lockout Button can be pushed in by the thumb permitting the index finger to squeeze the Trigger. It is not necessary to maintain pressure on the Lockout Button once the Trigger has been engaged.

- The **Front and Rear handles** are the supports which allow you to grip the saw in the normal cutting position. Your grip on the handles, is most important because proper grip gives you maximum ability to control the saw for safe operation.

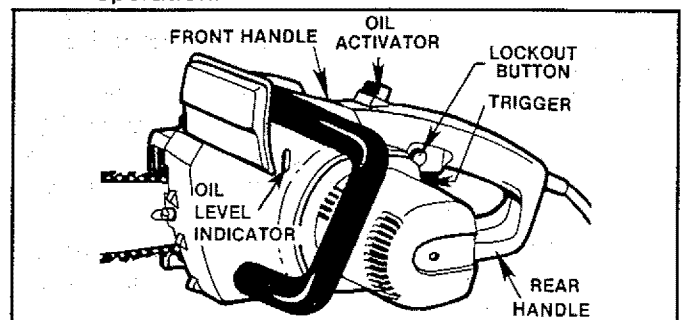


Figure 11

B. CONTROLLING KICKBACK

Kickback is a dangerous chain saw reaction that can cause serious personal injury. Carefully study this section before you make the first cut with your new saw. You must understand what causes kickback, how you can reduce the chance of kickback, and how you can remain in the best control of the saw if kickback does occur.

1. WHAT CAUSES KICKBACK

Kickback can occur when the moving chain contacts an object at the tip of the guide bar.

This contact causes the chain to dig into the object and stops the chain for an instant. The result is a lightning fast, reverse reaction which kicks the saw tip up and back toward the operator. The operator can lose control of the saw and the cutting chain can cause serious personal injury if it comes in contact with any part of the body.

2. REDUCE THE CHANCE OF KICKBACK

- a. **Recognize that kickback can happen.** By understanding and knowing about kickback, you are better equipped to deal with an occurrence.
- b. **Never let the moving chain contact any object at the tip of the guide bar.** Figure 12.
- c. **Keep the working area free from obstructions such as other trees, branches, rocks, fences, stumps, etc.** Figure 13. Eliminate or avoid any obstruction that your saw chain could hit while you are cutting through a particular log or branch.
- d. **Keep your saw chain sharp and properly tensioned.** A loose or dull chain can increase the chance of kickback.
- e. **Start the motor and see that the chain is moving at full speed before beginning or entering a cut.**
- f. **Cut one log at a time.**
- g. **Use extreme caution when re-entering a previous cut.**
- h. **Do not attempt plunge cuts.**
- i. **Watch for shifting logs or other forces that could close a cut and pinch or fall into the chain.**
- j. **Use the Lo-Kick® Guide Bar and the specific Chain recommended for your particular saw.** These devices have been designed to reduce the hazard of kickback.
- k. **Use extra caution if your saw is equipped with the Power Sharp® System.** The Power Sharp® saw is equipped with a Lo-Kick® Guide Bar and a Guard Link Chain. However, due to the chain requirements of the built-in sharpening mechanism, the kickback force from the Power Sharp® chain may be greater than that from other Guard Link chains.

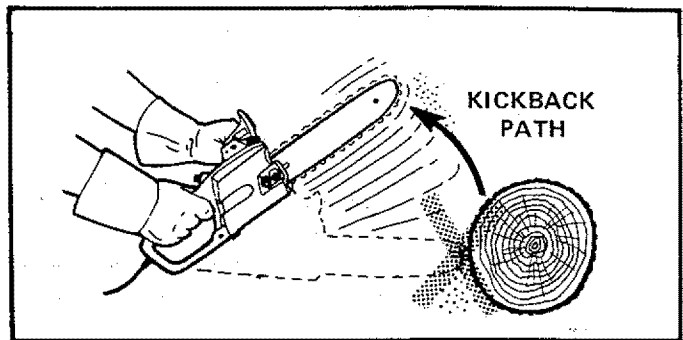


Figure 12

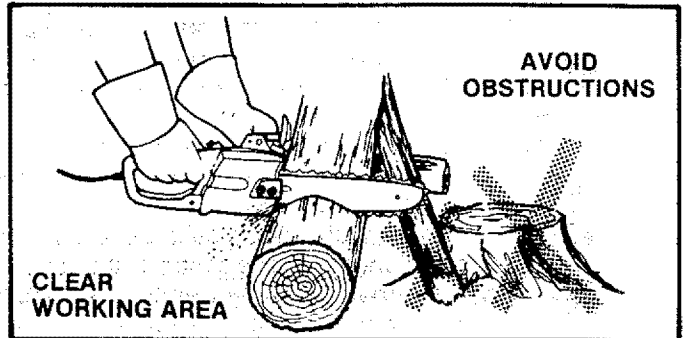


Figure 13

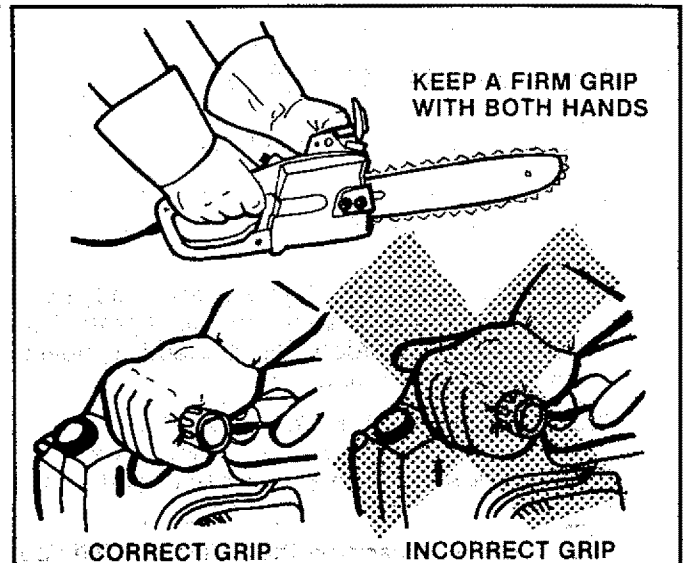


Figure 14

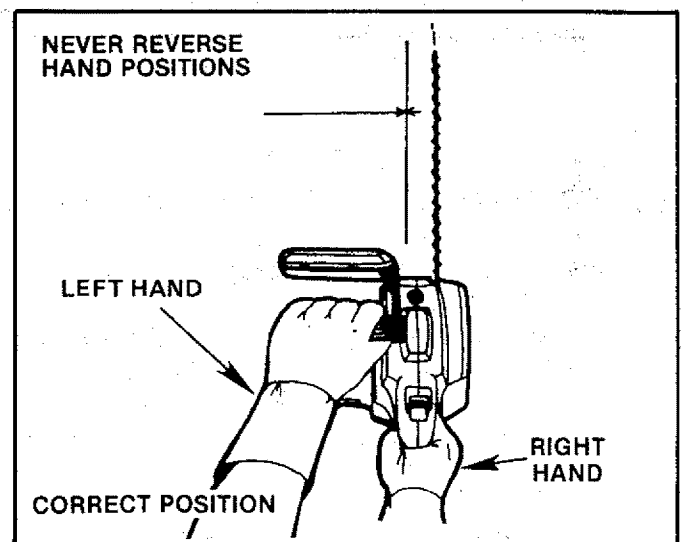


Figure 15

3. MAINTAIN THE BEST CONTROL

- a. **Keep a good firm grip on the saw with both hands.** Figure 14. A firm grip can neutralize kickback and help you maintain control of the saw. Keep the fingers of your left hand encircling and your left thumb under the front handlebar. Keep your right hand completely around the rear handle *whether you are right handed or left handed*. Keep your left arm straight with the elbow locked.
- b. **Position your left hand on the front handlebar and your right hand on the rear handle.** Figure 15. Never reverse right and left hand positions.
- c. **Stand with your weight evenly balanced on both feet.**
- d. **Stand slightly to the left side of the saw, to keep your body from being in a direct line with the cutting chain.** Figure 16.
- e. **Do not overreach.** You could be drawn or thrown off balance and lose control of the saw.
- f. **Do not cut above shoulder height.** It is difficult to maintain control of the saw above shoulder height.

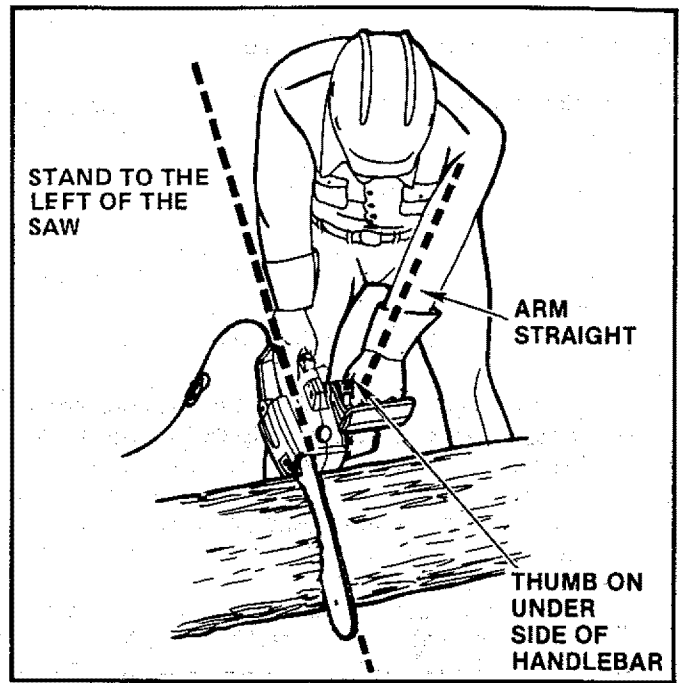


Figure 16

C. PRE-OPERATION CHECKS

Before operating your unit always:

1. ✓ **Check over safety rules and precautions in this manual.** Make certain you completely understand and follow each one.
2. ✓ **Check personal protective gear.** Always use appropriate eye, hearing, and head protection devices; safety footwear, protective gloves, and snug fitting clothing.
3. ✓ **Check the work area.** Bystanders, children, and pets should be a safe distance away from the work area when starting or operating the saw.
4. ✓ **Check weather conditions.** Do not use your saw in bad weather, such as strong wind, rain, snow, etc., or at night since you would not have good visibility.
5. ✓ **Check the unit for loose bolts, nuts or fittings.** Tighten, repair, or replace parts as necessary.
6. ✓ **Check tool cord and extension cord.** Inspect all wire insulation with care. Do not operate with cracked or deteriorated insulation. Take the saw to your Sears Service Center for all electrical repairs.
7. ✓ **Check the saw chain.** The chain should be sharp and at the correct tension.
8. ✓ **Check the oil tank.** The tank should be filled each time the saw is used.
9. ✓ **Check the handles.** Handles should be dry and free of oil.

D. STARTING AND STOPPING THE SAW

1. Connect the saw to a proper electric power source.
2. Start the saw by pushing the Lockout Button with your right thumb and squeezing the Trigger Switch with your right index finger.
NOTE: It is not necessary to continue pressing the Lockout Button once the Trigger Switch can be operated.
3. Stop the saw by releasing the Trigger Switch.

4. Unplug the connection to the power source.

CAUTION: Damage to the trigger switch can occur if the switch is turned on and off while the saw is cutting. Operate the trigger with firm and decisive action. The saw should be running at full speed *before* starting the cut and turned off only *after* leaving the material to avoid damage.

USING THE POWER SHARP® SYSTEM (MODEL 358.34030)

Model 358.34030 is equipped with a Power Sharp® System that will perform approximately 80% of the sharpening necessary for the saw chain. The Power Sharp® System uses a built-in grinding stone to sharpen the cutter top plates and set depth gauges. As the built-in sharpener is used, the cutter side plates gradually will be altered. About every 3rd to 5th time the Power Sharp® System is used, hand-filing is required to correct the cutter side plates.

CAUTION: Always wear gloves when handling the chain. The chain is sharp and can cut you easily, even when it is not moving.

- Sharpen the saw chain when:
 - wood chips become small and powdery. Wood chips made by the chain should be about the size of the teeth of the chain.
 - saw cuts to one side.
 - saw has to be forced through the cut.

- Replace the sharpening Stone when a new Power Sharp® chain is installed. The sharpening stone will wear to the shape of the worn chain and will cause excessive wear to a new chain if not replaced. Replacement Power Sharp® Chain, Stock No. 71-3618, comes supplied with a Sharpening Stone Replacement. Refer to replacement instructions in this section.

- Remove the sharpening stone if a standard or conventional, chisel-type chain is substituted for the Power Sharp® Chain. See instructions for removing the sharpening Stone below. Use as replacement chain Stock No. 71-3617. Follow standard chain sharpening instructions, page 18.

A. AUTOMATIC SHARPENING

1. Disconnect the saw from the power source.
2. Place the saw on a solid, flat surface and make sure that the chain will not contact any object.
3. Adjust the chain for proper tension. Refer to Chain Tension, page 7.

NOTE: The Power Sharp® System will not sharpen correctly unless the chain is properly tensioned.

4. Connect the power cord and run saw during steps "5", "6", and "7".

5. Turn the Power Sharp® Knob clockwise, one click at a time, while pushing down on the knob. Figure 17.

NOTE: Sparks should be visible on top of the chain as the chain comes out of the bar clamp area.

6. Release knob and turn 1 or 2 more clicks.
7. Depress knob for 8-10 seconds and release.
8. Disconnect saw and inspect cutters.

NOTE: A properly sharpened cutter will show grinding marks across its entire width. Figure 18. If cutters do not appear to be sharpened, repeat step "7" for another 5-10 seconds.

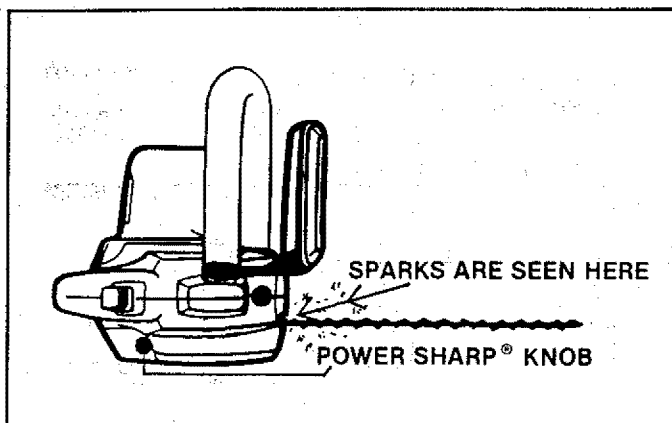


Figure 17

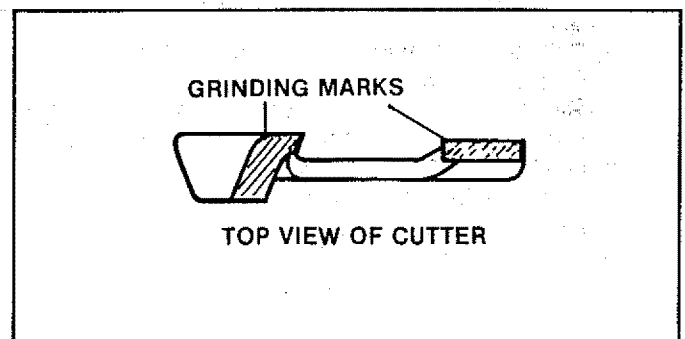


Figure 18

B. HAND FILING — Required after every 3rd to 5th time the Power Sharp® System is used to correct the side plates.

NOTE: If abrasive materials such as rocks, nails, sand, or dirt are contacted by the chain, the side plates should be checked more often. Damage to the cutters caused by abrasive materials usually results in discoloration spots where the chrome has been worn away. Side plates should be filed until these spots are removed.

Items Required: Gloves, 5/32" round file, File holder, flat file, screwdriver, Vise.

1. Disconnect your saw from the power source.
2. Adjust the chain for proper tension, page 7.
3. Clamp the bar in a vise to hold the chain steady. Do not clamp the chain.
4. Support file holder with 5/32" round file on cutter top plate and depth gauge. Figure 19.

NOTE: Work at the midpoint of the bar, moving the chain forward with the slotted end of a screwdriver as each side plate is filed.

5. Hold the file holder level with the 22° guide mark parallel to guide bar. Figure 20.
6. File from inside toward outside of cutter in one direction only — 2 or 3 strokes per side plate should be enough Figure 20.

NOTE: Avoid hitting the top edge of the cutters when filing the side plate.

7. Maintain a 1/32" side plate projection. Figure 21.

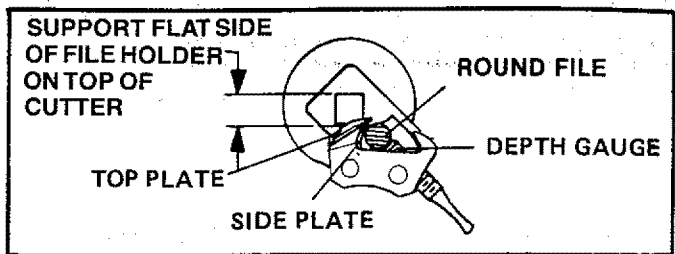


Figure 19

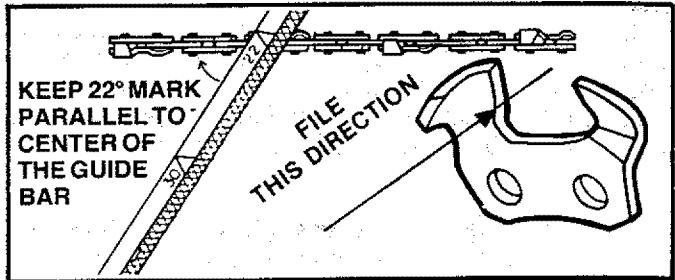


Figure 20

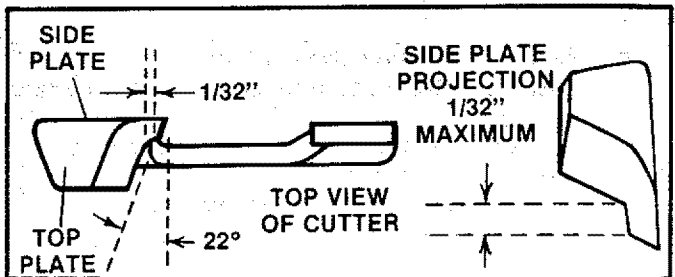


Figure 21

C. IMPORTANT POINTS

1. Check the contact between the stone and chain before advancing the Power Sharp® Knob. If stone is contacting the chain, the chain can be sharpened without advancing the knob.
2. Do not advance the Power Sharp® Knob more than one or two clicks at any one sharpening. Otherwise, excessive wear to the chain and sharpening stone can occur.
3. Note the flow of sparks visible during automatic sharpening:
 - A light flow of sparks indicates proper sharpening.

—A heavy flow of sparks or no sparks indicates improper sharpening.

4. Keep all cutters the same length. The side plates should always be kept approximately 1/32 of an inch longer than the top plate. Figure 21.
5. Preserve the original cutter angles carefully and uniformly.
6. Avoid hand filing into the bottom of the top plates. Keep guide lines on file guide aligned with the chain and guide bar.

D. REPLACING OR REMOVING THE SHARPENING STONE

1. Remove the two Bar Clamp Nuts and Bar Clamp Housing.
2. Remove the two screws holding the Stone and Carrier Assembly on the saw. Figure 22.
3. Unscrew Knob as shown in Figure 22.
4. Remove Clicker Ring and Spring.
5. Discard old assembly.
6. Install your Clicker Ring, Spring, and Power Sharp® Knob into new Stone and Carrier Assembly.
7. Install entire assembly on your saw with the two screws.

8. Reinstall Bar Clamp Housing and Bar Clamp Nuts.
9. Place stone in the operating position by turning the Power Sharp® Knob counterclockwise until it stops.

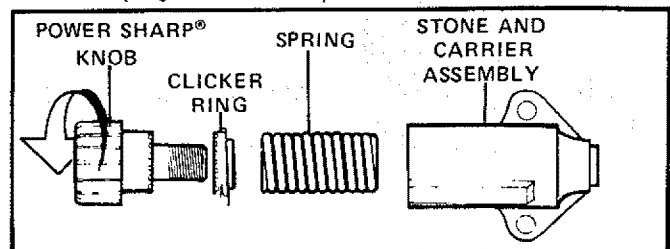


Figure 22

TYPES OF CUTTING

A. BASIC CUTTING TECHNIQUE

1. IMPORTANT POINTS.

- Cut wood only.** Do not cut metal, plastics, masonry, non-wood, building materials; etc.
- Stop the saw if the chain strikes a foreign object.** Inspect the unit and repair or replace parts as necessary.
- Keep the chain out of dirt and sand.** Even a small amount of dirt will quickly dull a chain and thus, increase the possibility of kickback.

2. UNDERSTAND REACTIVE FORCES

Pushback and Pull-in occur when the chain is suddenly stopped by being pinched, caught, or by contacting a foreign object in the wood.

This results in a reversal of the chain force used to cut wood and causes the saw to move in the opposite direction of chain rotation, resulting in loss of control and possible serious personal injury.

• Pushback:

- occurs when the chain, on top of the bar, is suddenly stopped when the top of the bar is used for cutting.
- drives the saw straight back toward the operator, possibly causing loss of saw control.

To avoid Pushback:

- Be extremely aware of situations or obstructions** that may cause material to pinch the top of or otherwise stop the chain.
- Do not cut more than one log at a time.**
- Do not twist the saw** as the bar is withdrawn from an under-cut.

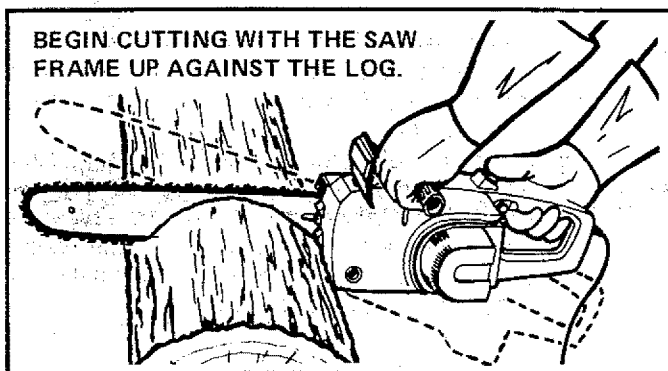


Figure 23

B. TREE FELLING TECHNIQUES

1. PLAN YOUR SAWING OPERATION CAREFULLY IN ADVANCE

- Clear the work area.** You need a clear area all around the tree where you can have secure footing.
 - Study the natural conditions that can cause the tree to fall in a particular direction.**
 - The **WIND** direction and speed
 - The **LEAN** of the tree
 - WEIGHTED** with **BRANCHES** on one side
 - Surrounding **TREES** and **OBSTACLES**
 - Look for decay and rot.** If the trunk is rotted, it could snap and fall toward the operator.
- Check for broken or dead branches** which could fall on you while cutting.
 - Make sure there is enough room for the tree to fall.** Maintaining a distance of 2½ tree lengths from the nearest person or other objects. Motor noise may drown out warning call.
 - Remove dirt, stones, loose bark, nails, staples, and wire** from the tree where cuts are to be made.
 - Plan to stand on the up-hill side** when cutting on a slope.
 - Plan a clear retreat path** to the rear and diagonal to the line of fall. Figure 24.

• Pull-in:

- occurs when the chain on the bottom of the bar is suddenly stopped.
- occurs when the saw housing is not held securely against the tree or limb and/or when the cut is not begun with the motor running.
- pulls the saw forward, and could cause the operator to lose control.

To avoid Pull-in:

- Always begin cutting with the motor running and the saw housing against the wood.**
- Use wedges made of plastic, wood, or light alloy** (never of steel or iron) to hold the cut open.

CAUTION: Do not stall the chain in the cut. This will overheat the motor and cause damage.

3. PROCEDURE

Practice cutting a few small logs using the following technique to get the "feel" of using your saw before you begin a major sawing operation.

- Assume the proper cutting stance** described in the section "Controlling Kickback"— firm grip on front and rear handles, weight evenly balanced on both feet, and body slightly to the left side of the saw.
- Make sure the extension cord is completely away from the saw and your body so the cord cannot be cut or become wrapped around your feet or legs.**
- Press the trigger to start the chain moving before beginning the cut.**
- Begin cutting with the saw frame up against the log.** Figure 23.
- Allow the chain to cut for you.** Exert only light downward pressure. If you force the cut, damage to the bar, chain or motor can result.
- Do not put pressure on the saw at the end of the cut** to avoid losing control when the cut is complete.
- Release the Trigger Switch as soon as the cut is completed.**
- Unplug the unit after each cutting operation.**

2. FELLING SMALL TREES — LESS THAN 6" IN DIAMETER

- a. If you know the direction of fall:
 - 1.) Make a single felling cut on the side away from the direction of fall.
 - 2.) Cut all the way through.
 - 3.) Stop the saw, put it down, and get away quickly on your planned retreat path.
- b. If you are not sure which way the tree will fall, use the notch method described for felling large trees.

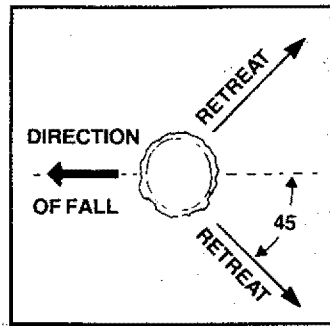


Figure 24

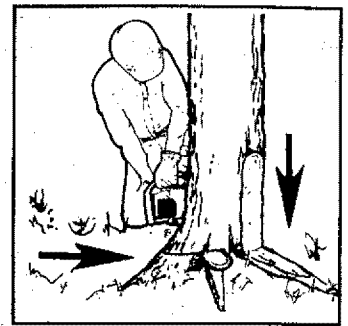


Figure 25

WARNING!

Do not cut a tree in any manner that would endanger people, cause property damage, or strike a utility line. Notify the utility company immediately if a tree makes any contact with a utility line.

3. FELLING LARGE TREES — 6" DIAMETER OR MORE

The notch method is used to cut large trees. A notch is cut on the side of the tree in the desired direction of fall. After a felling cut is made on the opposite side of the tree, the tree will tend to fall into the notch.

NOTE: If the tree has large buttress roots, remove before making the notch. Cut into the buttresses vertically, then horizontally. Figure 25.

- a. Make the notch cut. Figure 26.
 - 1.) Cut the bottom of the notch first, through 1/3 of the diameter of the tree.
 - 2.) Complete the notch by making the slant cut.
 - 3.) Remove the notch of wood.
- b. Make the felling cut on the opposite side of the notch about 2" higher than the bottom of the notch.
- c. Leave enough uncut wood between the felling cut and the notch to form a hinge. Figure 27.

NOTE: The hinge helps to keep the tree from twisting and falling in the wrong direction.

- d. Use a wedge if there is any chance that the tree will not fall in the desired direction.

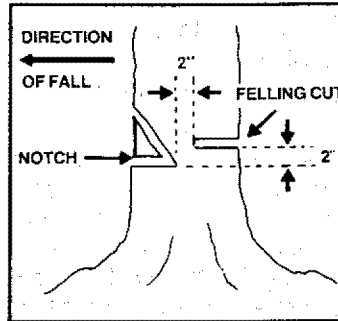


Figure 26

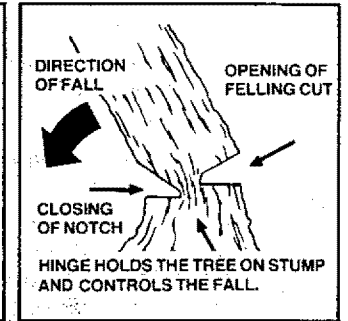


Figure 27

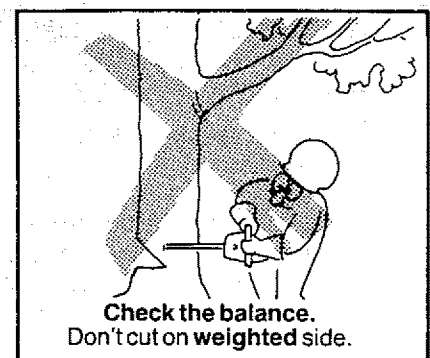
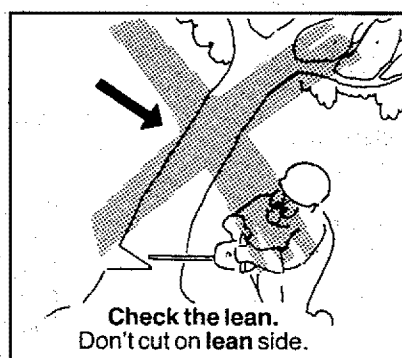
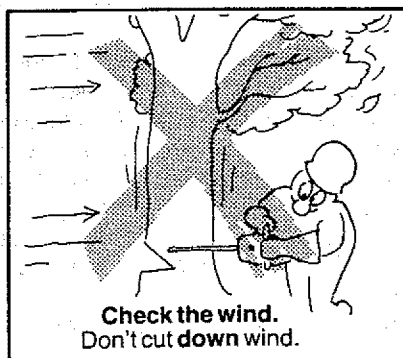
WARNING!

Stay on the uphill side of the terrain to avoid the tree rolling or sliding downhill after it is felled.

NOTE: Before the felling cut is complete, drive wedges to open up the cut when necessary to control the direction of fall. Use wood, plastic or light alloy wedges but *never* steel or iron, to avoid kickback and chain damage.

- e. Be alert for signs that the tree is ready to fall:
 - 1.) cracking sounds
 - 2.) widening of the felling cut
 - 3.) movement in the upper branches.
- f. As the tree starts to fall, *stop the saw; put it down, and get away quickly on your planned retreat path.*
- g. Be extremely cautious with partially fallen trees that may be poorly supported. When a tree doesn't fall completely, set the saw aside and pull down the tree with a cable winch, block and tackle or tractor. Do not cut it down with your saw to avoid injury.

DON'T PUT YOURSELF IN THESE POSITIONS



C. BUCKING

Bucking is the term used for cutting a fallen tree to the desired log size.

1. IMPORTANT POINTS

- Cut only one log at a time.
- Cut shattered wood very carefully. Sharp pieces of wood could be flung toward the operator.
- Use a sawhorse to cut small logs. Never allow another person to hold the log while cutting and never hold the log with your leg or foot.
- Do not cut in an area where logs, limbs and roots are tangled such as in a blown down area. Drag the logs into a clear area before cutting by pulling out exposed and cleared logs first.
- Make the first bucking cut 1/3 of the way through the log and finish with a 2/3 cut on the opposite side. As the log is being cut, it will tend to bend. The saw can become pinched or hung in the log if you make the first cut deeper than 1/3 of the diameter of the log.
- Give special attention to logs under strain to prevent the saw from pinching. Make the first cut on the pressure side to relieve the stress on the log. Figure 28.

2. TYPES OF CUTTING USED (Figure 29)

- **Overcutting** — begin on the top side of the log with the bottom of the saw against the log; exert light pressure downward.
- **Undercutting** — begin on the under side of the log with the top of the saw against the log; exert light pressure upward. During undercutting, the saw will tend to *push* back at you. Be prepared for this reaction and hold the saw firmly to maintain control.

WARNING!
Never turn the saw upside down to undercut. The saw cannot be controlled in this position.

WARNING!
If saw becomes pinched or hung in a log, don't try to force it out. You could lose control of the saw resulting in personal injury and/or damage to the saw. Stop the saw and drive a wedge of plastic, wood or light alloy into the cut until saw can be removed easily. Figure 30. Do not use a steel or iron wedge to avoid kickback and chain damage.

3. BUCKING — WITHOUT A SUPPORT

- Overcut with a 1/3 diameter cut.
- Roll log over and finish with an overcut.

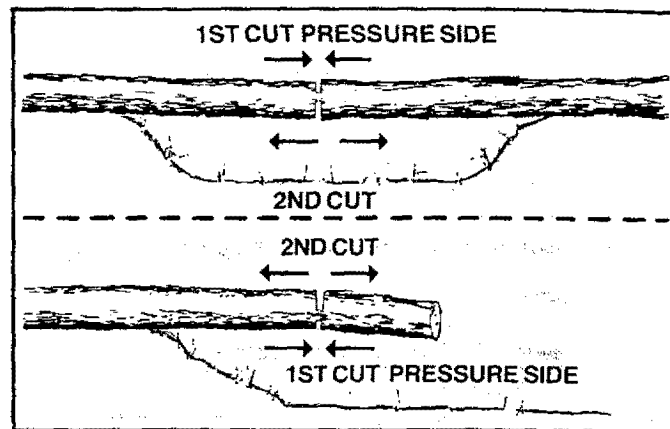


Figure 28

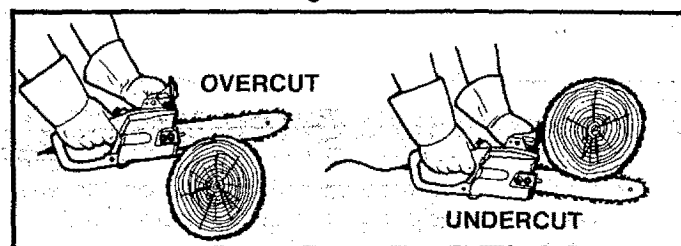


Figure 29

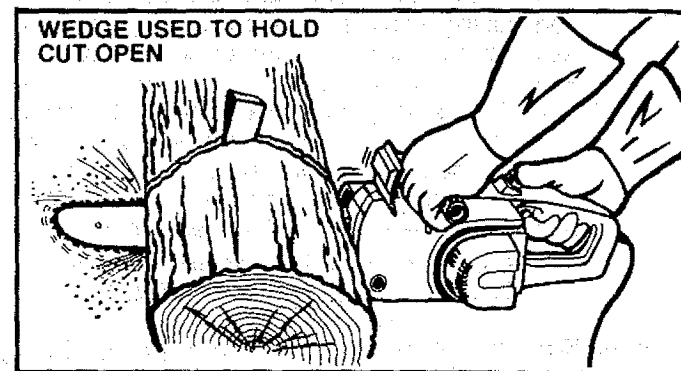


Figure 30

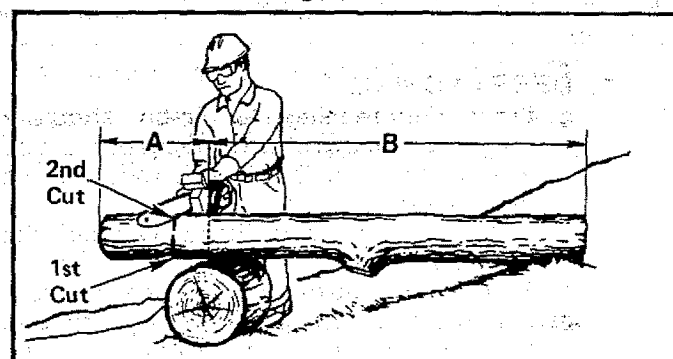


Figure 31

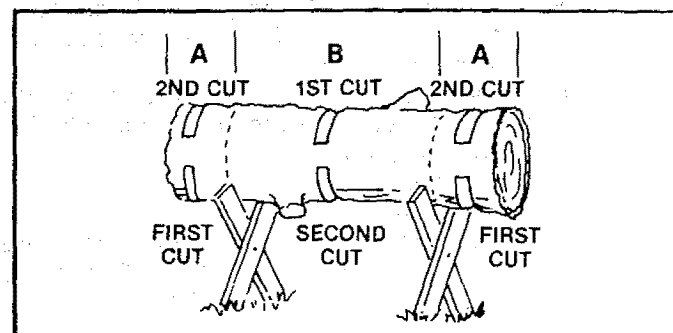


Figure 32

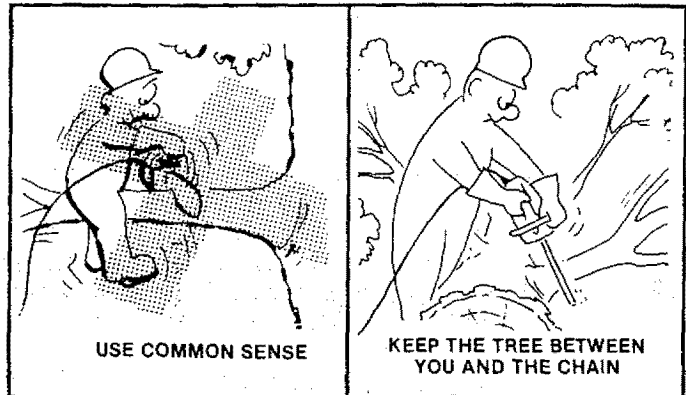
4. BUCKING — USING ANOTHER LOG AS A SUPPORT (Figure 31):

- a. In area A:
 - 1.) Undercut 1/3 of the way through the log.
 - 2.) Finish with an overcut.
- b. In area B:
 - 1.) Overcut, 1/3 of the way through the log.
 - 2.) Finish with an undercut.

5. BUCKING — USING A STAND (Figure 32):

- a. In area A:
 - 1.) Undercut 1/3 of the way through the log.
 - 2.) Finish with an overcut.
- b. In area B:
 - 1.) Overcut 1/3 of the way through the log.
 - 2.) Finish with an undercut.

WARNING!
Do not stand on the log being cut. The cut portion will roll down hill.



D. DEBRANCHING AND PRUNING

- **Work slowly, keeping both hands on the saw with a firm grip.** Maintain secure footing and balance.
- **Watch out for springpoles.** Use extreme caution when cutting small size limbs. Slender material may catch the saw chain and be whipped toward you or pull you off balance.
- **Be alert for springback.** Watch out for branches that are bent or under pressure as you are cutting to avoid being struck by the branch or the saw when the tension in the wood fibers is released.
- **Keep a clear work area.** Frequently clear branches out of the way to avoid tripping over them.

2. PRUNING

- a. **Limit pruning to limbs shoulder height or below.** Do not cut if branches are higher than your shoulder. Get a professional to do the job.
- b. **Refer to Figure 34 for pruning technique.**
 - 1.) Undercut 1/3 of the way through the limb near the trunk of the tree.
 - 2.) Finish with an overcut farther out from the trunk.
 - 3.) Keep out of the way of the falling limb.
 - 4.) Cut the stump flush near the trunk of the tree.

WARNING!
Never climb into a tree to debranch or prune. Do not stand on ladders, platforms, a log or in any position which might cause you to lose control of the saw.

WARNING!
BE ALERT FOR AND GUARD AGAINST KICKBACK. Do not allow the moving chain to contact any other branches or objects at the nose of the guide bar when debranching or pruning. Allowing such contact could result in serious personal injury.

1. DEBRANCHING

- a. **Limit debranching to limbs shoulder height or below.** Always debranch a tree after it is cut down. Only then can debranching be done safely and properly.
- b. **Leave the larger lower limbs to support the tree as you work.**
- c. **Start at the base of the felled tree and work towards the top, cutting branches and limbs.** Remove small limbs with one cut. Figure 33.
- d. **Keep the tree between you and the chain.** Cut from the side of the tree opposite the branch you are cutting.
- e. **Remove larger, supporting branches with the 1/3, 2/3 cutting techniques described in the bucking section.**
 - 1.) Start with an overcut
 - 2.) Finish with an overcut
- f. **Always use an overcut to cut small and freely hanging limbs.** Undercutting could cause limbs to fall and pinch the saw.

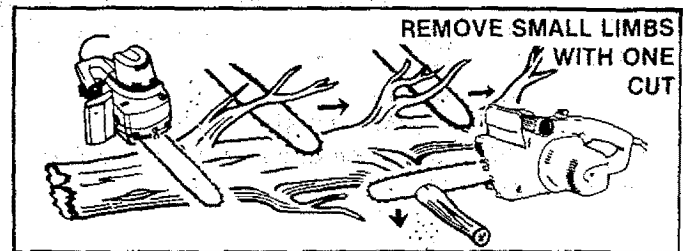


Figure 33

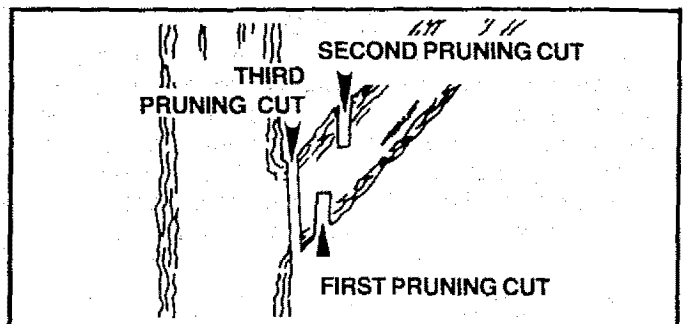


Figure 34

MAINTENANCE

- A good maintenance program of regular inspection and care will increase the service life and help to maintain the safety and performance of your saw.

WARNING!

All electrical repairs to this saw, including housing, switch, motor, etc., must be diagnosed and repaired by your Sears Service Center or nearest Sears store. Failure to do so could cause the double insulation construction to become ineffective and result in serious personal injury.

- Inspect all wire insulation carefully before each period of use. Do not operate or try to repair the saw if wire insulation is cracked or deteriorated. Take the unit to your Sears Service Center for repair.
- Check the saw for loose bolts, screws, nuts, and fittings daily when the saw is in use. Loose fasteners can cause an unsafe condition as well as damage to your saw. Tighten, repair, or replace as necessary.

WARNING!

Avoid accidental starting. Always unplug the saw from the power source before cleaning or performing any maintenance to the saw.

- Check and retighten screws holding front handle at least once for every five (5) hours of operation. Make sure the handguard is securely clamped between the front handle and housing after tightening screws. Figure 35.

CHECK HANDLEBAR SCREWS FREQUENTLY

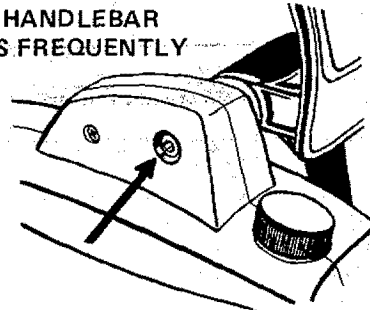


Figure 35

A. CLEANING THE SAW

Clean and inspect the saw after each day of use.

1. Remove the bar and chain from the saw.
NOTE: Always clean the Guide Bar and Chain when the chain is sharpened.
2. Use a small brush or the air discharge of a vacuum cleaner to clean debris and sawdust from the air inlet and exhaust slots on housing. Figure 36.
3. Wipe saw clean with rags. Make sure there is no oil film on the handles or saw housing.

CLEAN AIR INLET AND EXHAUST SLOTS

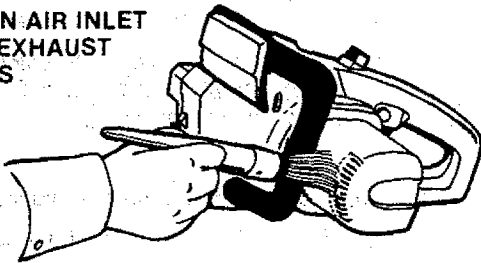


Figure 36

CAUTION: Do not use water, gasoline, kerosene or any type of cleaning fluid to clean the housing. Moisture can cause short circuits. Hydrocarbons will attack and deteriorate the housing.

4. Remove all sawdust and oil from the drive sprocket and bar-mounting pad area of the saw. Figure 37.

CLEAN BAR MOUNTING PAD

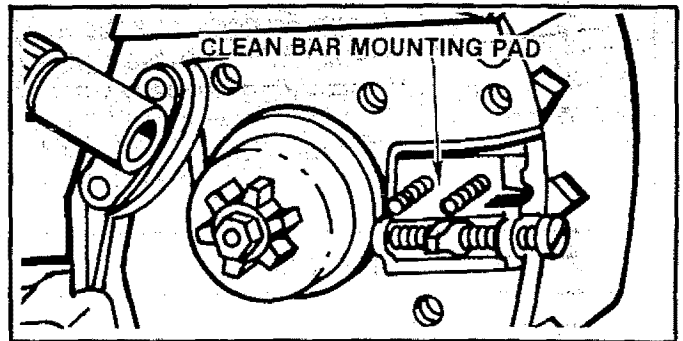


Figure 37

B. GUIDE BAR AND CHAIN

- Increase the service life of your Guide Bar and Chain by:
 - Using the saw properly and as recommended in this manual.
 - Maintaining the correct Chain Tension, page 7.

—Proper lubrication, page 8.

—Regular maintenance as described in this section.

- Remove the Guide Bar from the saw for all maintenance.

CAUTION: Always wear gloves when handling the chain. The chain can be sharp enough to cut you even though it may be too dull to cut wood.

1. CHAIN MAINTENANCE

- Sharpen the chain when:
 - Wood chips are small and powdery. Wood chips made by the saw chain should be about the size of the teeth of the chain.
 - Saw has to be forced through the cut.
 - Saw cuts to one side.

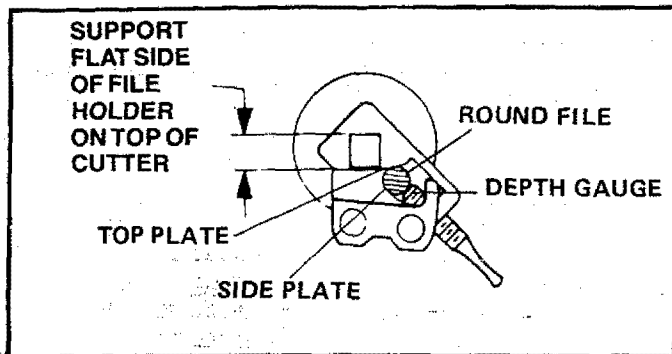


Figure 38

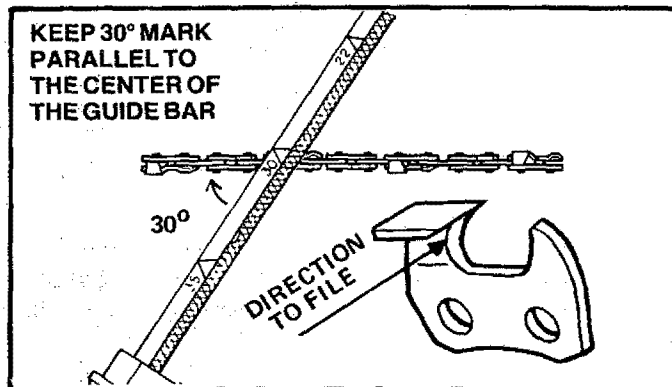


Figure 39

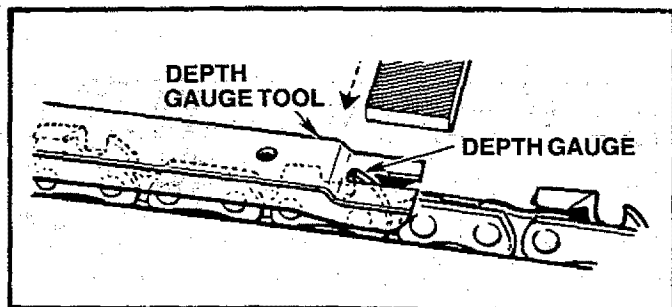


Figure 40

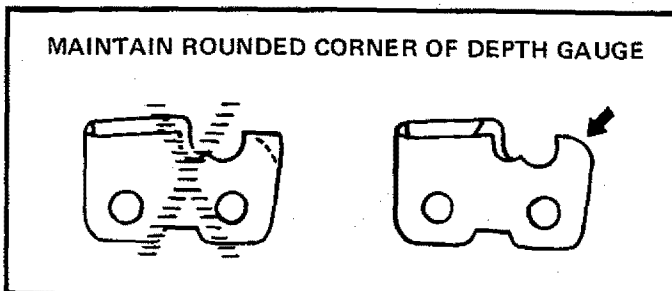


Figure 41

a. CLEAN TREE SAP FROM THE CHAIN BEFORE IT IS SHARPENED:

- 1.) Soak chain in a petroleum based solvent or a detergent and water solution.
- 2.) Dry chain thoroughly.
- 3.) Immerse the clean chain in light oil until oil seeps into the rivet holes.

NOTE: Do not run a chain which has been cleaned without lubricating it first.

b. SHARPENING INSTRUCTIONS — Standard Chain — Model 358.34020 (For Power Sharp® Model 358.34030, see page 11.)

Items required:

Gloves	Depth Gauge Tool
5/32" file	1/2 inch wrench
6" file holder	Vise
Medium file	

- 1.) Disconnect saw from power source.
- 2.) Clamp the bar in a vise to hold the chain steady. Do not clamp the chain.
- 3.) Adjust the chain for proper tension, page 7.
- 4.) Work at the midpoint of the bar, moving the chain forward with the slotted end of a screwdriver as each cutter is filed.
- 5.) Sharpen cutters.
 - a.) Support the square rod on the file holder (with 5/32" round file) on cutter top plate. Figure 38.
 - b.) Hold the file holder level with the 30° guide mark parallel to the center line of the bar. Figure 39.
 - c.) File from inside toward outside of cutter in one direction only. Figure 39.

NOTE: 2 or 3 strokes per cutting edge should be enough. Use light, firm pressure.
 - d.) File all cutters on one side of chain then move to the other side of bar and file remaining cutters.
- 6.) Correct Depth Gauges.
 - a.) Place Depth Gauge Tool (Catalog #71-36557) over each cutter depth gauge. Figure 40.
 - b.) File level with the flat file if depth gauge is higher than the depth gauge tool.
 - c.) Maintain rounded front corner of depth gauge. Figure 41.

NOTE: The very top of the depth gauge should be flat with the front half rounded off with a flat file.

2. CHAIN REPLACEMENT

- Replace the chain when cutters or links break.
- See your Sears Service Center to replace and sharpen individual cutters to match your chain.
- Replace the sprocket whenever a new chain is installed.

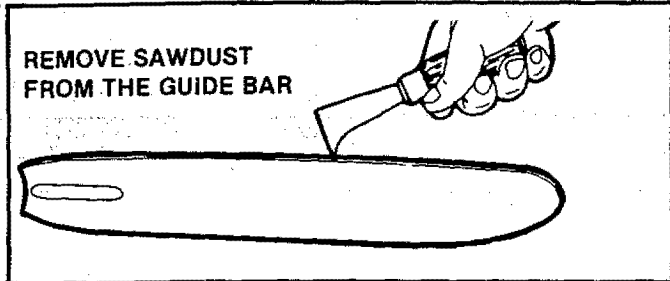


Figure 42

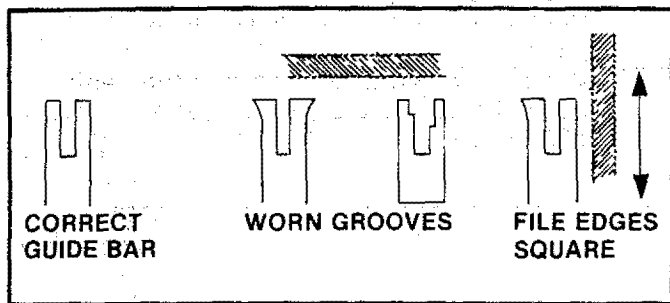


Figure 43

3. GUIDE BAR MAINTENANCE

- Conditions which may require guide bar maintenance:
 - saw cuts to one side
 - saw has to be forced through a cut
 - inadequate supply of oil to bar and chain
 - Check the condition of the guide bar each time the chain is sharpened. A worn guide bar will damage the chain and make cutting more difficult.
 - Replace the guide bar when:
 - the inside groove of the guide bar rails is worn.
 - the guide bar is bent or cracked.
- Remove the guide bar from the saw to service.
 - Clean oil holes at least once for every five hours of operation.
 - Remove saw dust from the guide bar groove periodically with a putty knife or a wire. Figure 42.
 - Remove tree sap by soaking the bar in a petroleum base solvent or a detergent and water solution.

NOTE: Be certain to thoroughly dry the bar and apply a thin coating of oil to the bar before reinstalling on the saw.
 - Remove burrs by filing the side edges of the guide bar square with a flat file. Figure 43.
 - Restore square edges to an uneven rail top by filing with a flat file. Figure 43.

C. SPROCKET

- Clean the sprocket and surrounding area daily during heavy use of the saw.
- Inspect the sprocket regularly for wear. A worn sprocket will cause the chain to run erratically and will shorten the life of the bar and chain. Figure 44.
- Replace the sprocket whenever a new chain is installed. The sprocket matches the pitch of the chain. If both the chain and sprocket are replaced at the same time, they will wear together. A worn sprocket will be out of pitch with the new chain and thereby can cause unnecessary wear.

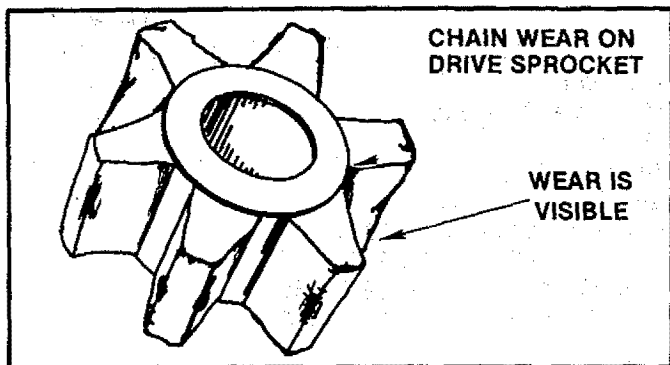


Figure 44

1. SPROCKET REMOVAL OR REPLACEMENT INSTRUCTIONS

Items required:

- Pliers
- 7/16" or adjustable wrench
- ½ wrench or equivalent

- Remove the bar clamp nuts and the bar housing clamp.
- Grasp the thrust washer with pliers as shown in Figure 45.
- Remove the outer nut from the end of the shaft with a 7/16" or adjustable wrench.
- Slide washer, collar, the three beveled washers, flat-sided thrust-washer and inner washer from shaft. Figure 46.

NOTE: Lay the parts in order as they are taken off the shaft to indicate correct replacement.

- Slide sprocket off the shaft.

NOTE: Notice that the sprocket must be installed with the step side fitted into the clutch drum.

- Reverse procedure to install sprocket.

NOTE: Be sure the 3 beveled washers face in the directions shown. Figure 46.

- Tighten the end nut securely with a 7/16" or adjustable wrench while holding thrust-washer with pliers.

GRASP THRUST WASHER WITH PLIERS

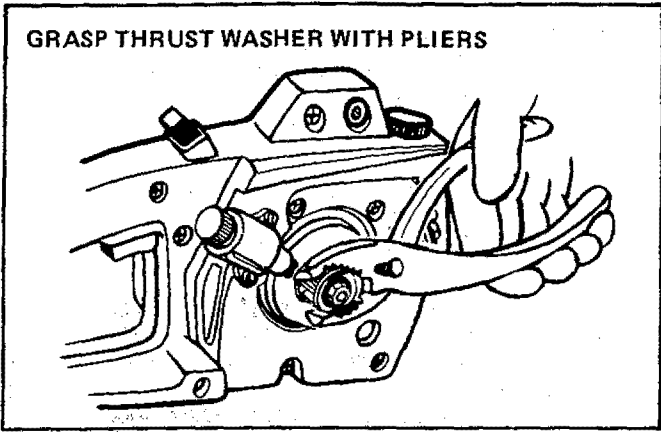


Figure 45

BEVELED WASHER CURVES AWAY FROM POWERHEAD

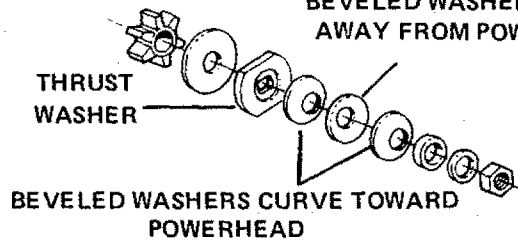


Figure 46

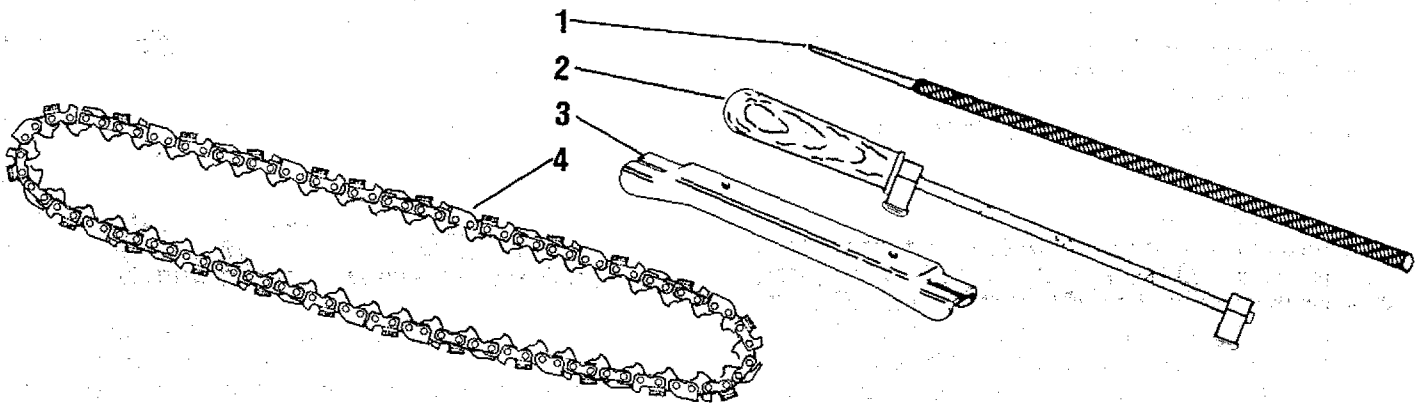
D. STORAGE

When your saw is to be stored for over 30 days always:

1. Drain oil tank.
2. Remove, clean, and dry the bar and chain.
3. Store the chain in a container filled with oil to prevent rust.
4. Apply a coating of oil to the entire surface of the bar and wrap it in heavy paper, cloth, or plastic.
5. Wipe off the outside surfaces of the unit.
6. Store the saw in a dry place out of the reach of children.

E. MAINTENANCE ACCESSORIES

Available through your nearest Sears Store, Catalog Sales Office or Service Center, but not furnished with your saw.



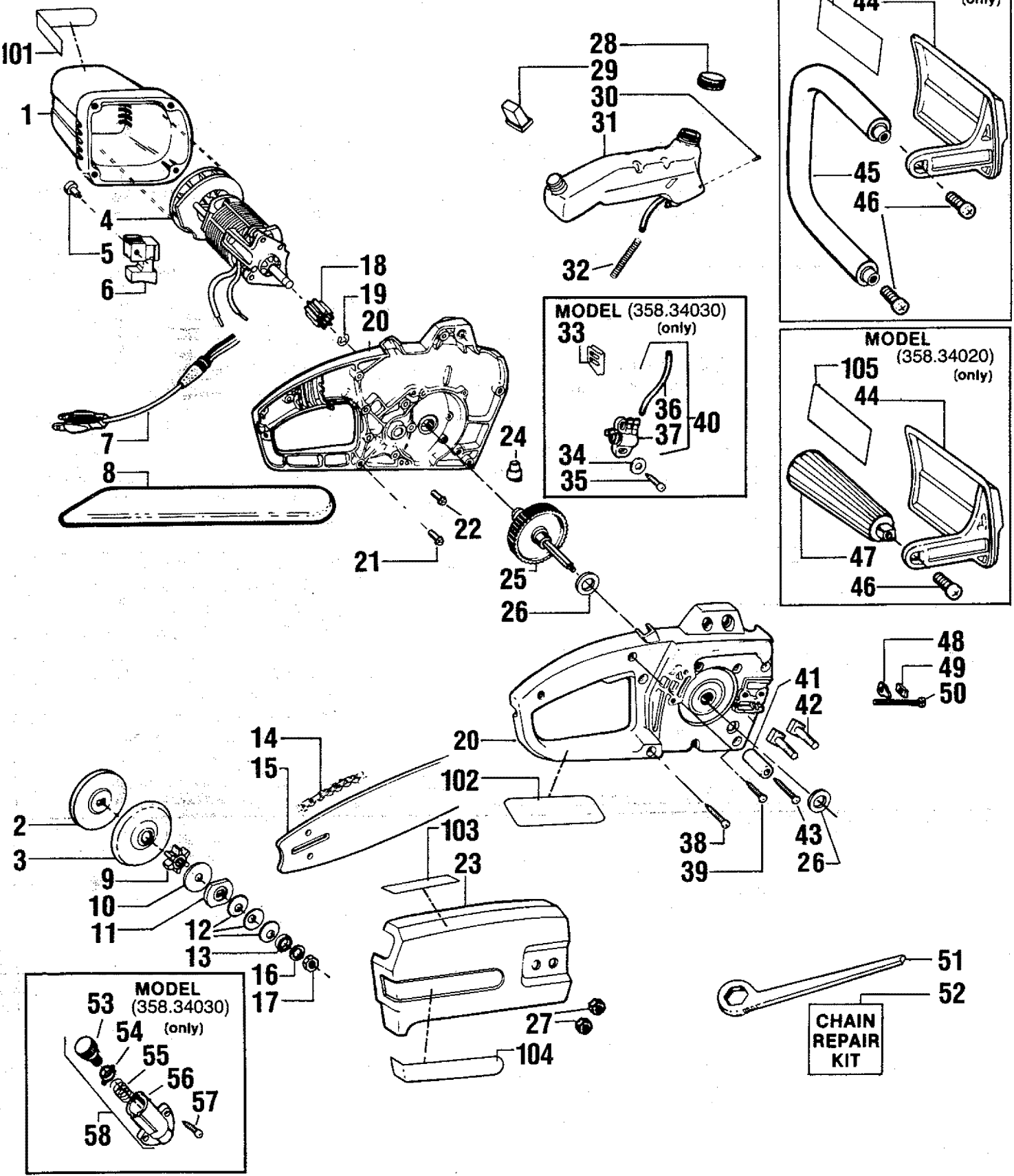
Key No.	Part No.	Catalog No.	Description
1	55004	71-36524	File (5/32" dia.) Twin pack
2	55046	71-36565	File Guide
3	—	71-36557	Depth Gauge Tool
—	—	71-36554	Bar and Chain Lubricant
4	51192	71-3623	Xtra GUARD® Chain 358.34020
—	51116X	71-3618	Power Sharp® Chain 358.34030
—	44245	71-36365	Lo-Kick® Guide Bar - 14" - 358.34030
—	44244	71-36462	Lo-Kick® Guide Bar - 12" - 358.34020

F. TROUBLE SHOOTING CHART

Read and follow all safety rules and precautions (pages 3 and 4) before servicing your saw.

TROUBLE	CAUSE	REMEDY
Oil inadequate for bar and chain lubrication	<ol style="list-style-type: none"> 1. Oil tank empty. 2. Oil pump clogged. 3. Guide bar oil hole blocked. 	<ol style="list-style-type: none"> 1. Fill oil tank, page 8. 2. Contact Sears Service Center. 3. Remove bar and clean, page 6 & 19.
Chain does not move when trigger switch is engaged.	<ol style="list-style-type: none"> 1. Chain tension too tight. 2. Guide bar rails pinched. 3. Clutch slipping (2.0 HP models only) 4. Trigger Switch failure. 	<ol style="list-style-type: none"> 1. See Chain Tension, page 7. 2. Repair or replace, page 6 & 19. 3. Contact Sears Service Center. 4. Contact Sears Service Center.
Chain clatters or cuts roughly	<ol style="list-style-type: none"> 1. Chain tension incorrect. 2. Cutters dull, improperly sharpened; depth gauges too high. 3. Sprocket worn. 4. Chain wear due to contact with dirt, sand, or frozen wood. 5. Cutters damaged after striking foreign material. 	<ol style="list-style-type: none"> 1. See Chain Tension, page 7. 2. See Chain Sharpening Instructions, page 18. (page 11-12 for Power Sharp®). 3. Replace, page 19. 4. Resharpener or replace Chain, page 18 (page 11-12 for Power Sharp®.) 5. Sharpen all cutters evenly and uniformly or replace chain. See chain sharpening instructions, page 18. (page 11-12 for Power Sharp®.)
Chain stops within the cut	<ol style="list-style-type: none"> 1. Chain cutter tops not filed flat. 2. Guide bar burred or bent; rails uneven. 	<ol style="list-style-type: none"> 1. See Chain Sharpening instructions, page 18. (page 11-12 for Power Sharp®.) 2. Repair or replace guide bar, page 6 & 19.
Chain cuts at an angle	<ol style="list-style-type: none"> 1. Cutters damaged on one side. 2. Chain dull on one side. 3. Guide bar bent, or worn. 	<ol style="list-style-type: none"> 1. Resharpener until all cutters have equal angles and lengths, page 18. (page 11-12 for Power Sharp®) 2. Resharpener until all cutters have equal angles and lengths, page 18. (page 11-12 for Power Sharp®). 3. Replace guide bar, page 6 & 19.

SEARS CHAIN SAW PARTS LIST — MODEL NO.
358.34020-2.0/12"
358.34030-2.0/14"PS



SEARS CHAIN SAW PARTS LIST — MODEL NO.

358.34020-2.0/12"

358.34030-2.0/14"PS

Ref. No.	Part No.	Qty.	Description	Ref. No.	Part No.	Qty.	Description
1	26448	1	Housing - Motor	32	23456	1	Spring - Oil Line
2	25458	1	Drive - Clutch	33	25461	1	Grommet - Oil Lines (358.34030)
3	28567	1	Drum - Clutch	34	15274	1	Washer - Oil Pump Mtg. (358.34030)
4	89752	1	Assembly - Motor	35	15496	2	Screw - Oil Pump Mtg. (358.34030)
5	25873	1	Safety Lock Button	36	21048	1	Line - Pump to Bar Pad (358.34030)
6	25518	1	Switch w/Safety Lock Button	37	10525	1	Oil Pump Assembly
7	89755	1	Cordset - 2 Prong (16-2 Wire)	38	15494	4	Screw - Motor Housing to Main Housing (#10 x 1.50)
8	25644	1	Scabbard				
9	28566	1	Sprocket - 6 Tooth	39	15495	7	Screw (For Main Housing)
10	15491	1	Washer - Inner	40	10526	1	Assembly - Oil Pump Body w/line (358.34030)
11	15485	1	Washer - Thrust				
12	15488	3	Washer - Beveled	41	23535	1	Spacer - Chain Catcher
13	25517	1	Collar - Retainer	42	15503	2	Bolt - Bar Stud
14	—	1	Chain - Oregon*	43	15494	1	Screw - Chain Catcher
	51192	1	358.34020 - Xtra GUARD*	44	25451	1	Handguard
	5116X	1	358.34030 - Power Sharp*	45	25457	1	Handlebar - Wraparound (358.34030)
15	—	1	Bar - Lo-Kick*	46	—	—	Screw - Handlebar
	44244		358.34020 - 12" S.N.		15499	2	358.34030
	44245		358.34030 - 14" S.N.		15499	1	358.34020
16	92062	1	Washer - Outer	47	25456	1	Handlebar - Stub Type (358.34020)
17	15502	1	Nut - Sprocket	48	23492	1	Pin - Bar Adjusting
18	25463	1	Gear - Pinion	49	25466	1	Plate - Keeper (Bar Adjusting)
19	STD582031	1	Ring - Retaining (Motor Shaft)	50	15514	1	Screw - Bar Adjusting
20	—	1	Assembly - Main Housing (incl. 42)	51	31063	1	Wrench - Bar w/Screwdriver (Optional)
	10718	1	358.34020				
	10719	1	358.34030	52	52073	1	Chain Repair Kit - 358.34020 only -
21	15541	3	Screw - Motor Assembly to Main Hsg. (#10-24 x .875 Taptite w/washer)	53	25524	1	Adjustment Knob (358.34030)
22	15542	1	Screw - Motor Assembly to Main Hsg. (#10-24 x .625 Taptite w/washer)	54	25462	1	Clicker Ring (358.34030)
23	—	1	Bar Clamp Housing	55	25543	1	Spring - (358.34030)
	26455	1	358.34020	56	69107	1	Stone and Carrier Assembly (358.34030)
	26456	1	358.34030	57	15495	2	Screw - Power Sharp* Assembly (358.34030)
24	31104	1	Tool - Gauge (Oil Pump)	58	69098	1	Kit - Power Sharp* Ass'y. (358.34030) (incl. 53-57)
25	25508	1	Assembly - Drive Gear				
26	15504	2	Washer - Thrust	—	66373	—	Operator's Manual - Not Shown
27	15251	2	Nut - Bar Clamp				
28	25546	1	Oil Cap	Decals			
29	25465	1	Actuator - Oiler	101	26458	1	Decal - Motor Housing
30	26119	1	Check Valve	102	—	1	Decal - Specification
31	10511	1	Oil Tank Assembly (incl. line, filter and 30)		26465	1	358.34020
					26466	1	358.34030
				103	25593	1	Decal - Sharpening Instructions 358.34030
				104	26457	1	Decal - Bar Clamp Housing
				105	25631	1	Decal - Handguard
				—	26544	1	Decal - Warranty - Not Shown
				—	26550	1	Decal - Chain Tensioning - Not Shown

NOTES

NOTES

NOTES

QUICK REFERENCE PAGE

*Read and follow all Safety Rules, Precautions and Operating Instructions.
Failure to do so can result in serious personal injury.*

SAFETY RULES AND PRECAUTIONS	page 3-4
PREPARATION	5
1. Wear personal protective gear — gloves; safety footwear; snug fitting clothing; and eye, hearing, and head protection.	
2. Check for worn, loose, or damaged parts and repair or replace before using the saw.	
3. Check the chain for sharpness and tension.	
4. Keep children, bystanders and pets out of the work area.	
5. Plan your sawing operation carefully in advance.	
BAR AND CHAIN OIL	8
1. Fill the oil tank with clean oil each time the saw is used.	
2. Use a funnel to fill the tank and wipe up all spills.	
3. Replace the oil cap securely.	
4. Operate the oiler activator six times a minute and hold down for approximately three seconds each time the activator is pressed. (Model 358.34020)	
OPERATING THE SAW	8
1. Connect the saw to a proper power source.	
2. Make sure the extension cord is completely away from the saw and cannot be cut.	
3. Start the saw by pushing the lockout button and squeezing the trigger before entering the cut.	
4. Begin cutting with the saw frame against the log.	
5. Allow the chain to cut for you; exert only light downward pressure.	
6. Release the trigger switch as soon as the cut is completed.	
7. Unplug the unit after each cutting operation.	
MAINTENANCE	17
1. Take your saw to a Sears Service Center for all electrical related repairs.	
2. Check and retighten screws holding front handle at least once for each five hours of operation.	
3. Check the guide bar for wear each time the chain is sharpened.	
4. Install a new sprocket each time a new chain is installed.	
5. Let saw stand unplugged for 15 minutes and wipe oil from saw and bar before storing.	
6. Store saw in a dry place out of the reach of children.	
COMMON CHAIN SAW TERMS	
1. Front Handle — The support handle located at or toward the front of the chain saw.	
2. Rear Handle — The support handle located at or toward the rear of the saw.	
3. Trigger Switch — A device that when operated will complete or interrupt an electrical power circuit to the motor of the chain saw.	
4. Lockout Button — A movable stop that prevents the unintentional operation of the switch until manually actuated.	
5. Oiler Activator — A system for oiling the guide bar and saw chain.	
6. Guide Bar — A solid, railed structure that supports and guides the saw chain.	
7. Saw Chain — A loop of chain having cutting teeth (that cut the wood) that is driven by the motor and supported by the guide bar.	
8. Sprocket — The toothed part that drives the saw chain.	
9. Clutch — A mechanism for connecting and disconnecting a driven member to and from a rotating source of power.	
10. Spiked Bumper (Spike) — The pointed tooth or teeth for use when felling or bucking to pivot the saw and maintain position while sawing.	
11. Kickback — The backward and/or upward motion of the guide bar occurring when the saw chain near the nose of the top area of the guide bar contacts any object such as another log or branch, or when the wood closes in and pinches the saw chain in the cut.	
12. Normal Cutting Position — The position assumed in performing the bucking and felling cuts.	
13. Felling — The process of cutting down a tree.	
14. Notch Cut — A notch cut in a tree that directs the fall of the tree.	
15. Felling Cut — The final cut in a tree felling operation made on the opposite side of the tree from the notch cut.	
16. Bucking — The process of cross-cutting a felled tree or log into lengths.	
17. Boring — The process involved in cutting with the saw chain at the nose (tip) of the guide bar, in order to make a hole. WARNING: Sears does not recommend performing plunge or boring cuts due to the dangers of kickback.	

Sears

MODEL NO.
358.34020 - 2.0/12"
358.34030 2.0/14"PS

How to Order Repair Parts

**SEARS SERVICE
IS AT YOUR SERVICE**

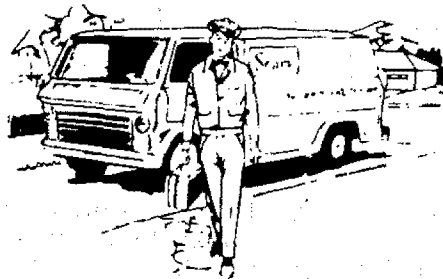
The Model Number will be found under the handle with the Serial Number. Always mention the Model Number when requesting service or repair parts for your Chain Saw.

All parts listed herein may be ordered from any Sears Service Center and most Sears Stores.

WHEN ORDERING REPAIR PARTS ALWAYS GIVE THE FOLLOWING INFORMATION AS SHOWN IN THIS LIST.

- | | |
|---|-----------------------------------|
| 1. The PART NUMBER | 3. The PART DESCRIPTION |
| 2. The MODEL NUMBER
358.34020 — 2.0/12"
358.34030 — 2.0/14"PS | 4. The NAME OF ITEM—
Chain Saw |

If the parts you need are not stocked locally, your order will be electronically transmitted to a Sears Repair Parts Distribution center for expedited handling.



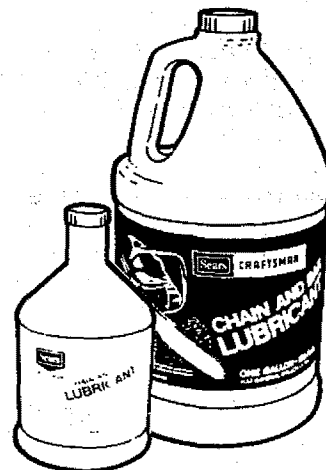
When you buy merchandise from Sears you get an extra something that nobody else can offer. Sears Service.

Across town or across the country, Sears Service follows you, providing trustworthy, competent service technicians using only Sears specified factory parts.



BAR AND CHAIN LUBRICANT

Available in Gallons (#71.36554)
and in Quarts (#71.36556) at your
nearest Sears Store, Catalog
Sales Office, or Service Center.



Sears, Roebuck and Co., Chicago, Ill. 60684 U.S.A.