



*HE*³ *HE*^{3t} *HE*³ *HE*^{3t} *HE*⁴
Steam *Steam*[™]
HE^{4t} *HE*⁵ *HE*^{5t} *HE*⁵ *HE*^{5t}
Steam *Steam*[™]



duet[®] *duet*[®]_{HT} *duet*[®]_{steam}



SLIDE-OUT WORK SURFACE WITH STACK KIT

Use & Care Guide

SUPERFICIE DE TRABAJO DESLIZABLE CON JUEGO PARA APILAR

Manual de uso y cuidado

ÉTAGÈRE ESCAMOTABLE - ACCESSOIRE POUR APPAREILS SUPERPOSÉS

Guide d'utilisation et d'entretien

Table of Contents/ Índice / Table des matières

STACK KIT SAFETY	2	SEGURIDAD DEL JUEGO PARA APILAR ...	10	SÉCURITÉ DE L'ACCESSOIRE POUR APPAREILS SUPERPOSÉS	17
INSTALLATION REQUIREMENTS	2	REQUISITOS DE INSTALACIÓN	10	EXIGENCES D'INSTALLATION	17
INSTALLATION INSTRUCTIONS	5	INSTRUCCIONES DE INSTALACIÓN	12	INSTRUCTIONS D'INSTALLATION	20
SLIDE-OUT WORK SURFACE USE	6	USO DE LA SUPERFICIE DE TRABAJO DESLIZABLE	14	UTILISATION DE L'ÉTAGÈRE ESCAMOTABLE	21
SLIDE-OUT WORK SURFACE CARE	6	CUIDADO DE LA SUPERFICIE DE TRABAJO DESLIZABLE	14	ENTRETIEN DE L'ÉTAGÈRE ESCAMOTABLE	21
LAUNDRY PRODUCT WARRANTY	7	GARANTÍA DE LOS PRODUCTOS DE LAVANDERÍA	15	GARANTIE DES APPAREILS DE BUANDERIE ...	22
KENMORE® LAUNDRY PRODUCT WARRANTY	7	GARANTÍA DE LOS PRODUCTOS DE LAVANDERÍA KENMORE®	15	GARANTIE DES APPAREILS DE BUANDERIE KENMORE®	22
WHIRLPOOL CORPORATION LAUNDRY PRODUCT WARRANTY	8	GARANTÍA DE LOS PRODUCTOS DE LAVANDERÍA DE WHIRLPOOL CORPORATION	16	GARANTIE DES APPAREILS DE BUANDERIE WHIRLPOOL CORPORATION	23

STACK KIT SAFETY

Your safety and the safety of others are very important.

We have provided many important safety messages in this manual and on your appliance. Always read and obey all safety messages.



This is the safety alert symbol.

This symbol alerts you to potential hazards that can kill or hurt you and others.

All safety messages will follow the safety alert symbol and either the word "DANGER" or "WARNING."

These words mean:

⚠ DANGER

You can be killed or seriously injured if you don't immediately follow instructions.

⚠ WARNING

You can be killed or seriously injured if you don't follow instructions.

All safety messages will tell you what the potential hazard is, tell you how to reduce the chance of injury, and tell you what can happen if the instructions are not followed.

INSTALLATION REQUIREMENTS

Parts Supplied

- Hooked stack brackets (2)
- Plastic clips (2)
- Foam pads (4)
- 5/8" (16 mm) pan head screws (6)
- Slide-out shelf

Tools Needed

Gather the required tools and parts before starting installation. Read and follow the instructions provided with any tools listed here.

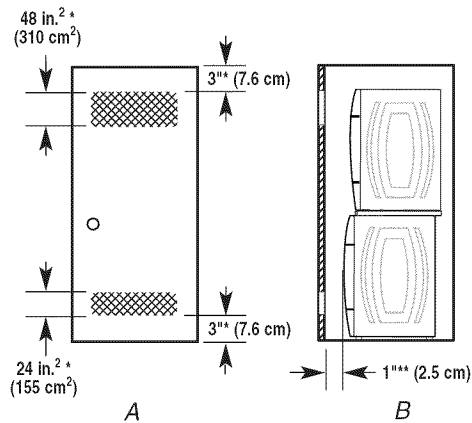
- Phillips screwdriver
- Adjustable wrench that opens to 1" (2.5 cm) or hex-head socket wrench (for removing dryer feet)
- Level
- Bucket
- Pliers or slip-joint pliers (for drain and inlet hoses)

Location Requirements

IMPORTANT: The stacked washer/dryer can be installed in an enclosure. Check the locations of the water supply faucets, grounded electrical outlets, and gas supply line connection (gas dryer only). Depending on your application, longer washer fill hoses, longer electric power supply cords and a longer flexible stainless steel gas connector line than those supplied with the washer/dryer may be needed.

See the Installation Instructions that came with your washer and dryer for more detailed information.

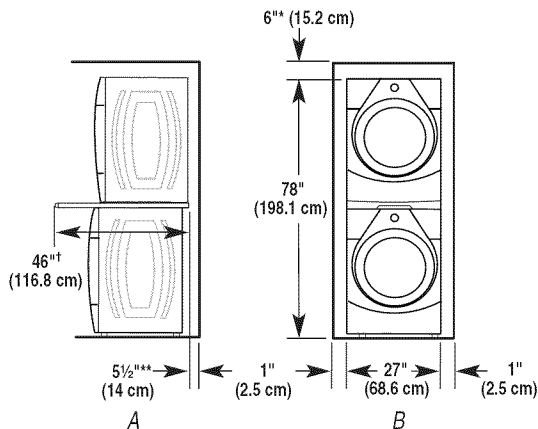
For closet installation, with a door, minimum ventilation openings in the top and bottom of the door are required. Louvered doors with equivalent ventilation openings are acceptable.



A. Closet door minimum ventilation openings
B. Side view of stacked washer and dryer

*Required spacing

**For venting out the side, 1" (2.5 cm) spacing is allowed.



A. Side view of stacked washer and dryer
B. Front view of stacked washer and dryer

*Required spacing

**For venting out the side, 1" (2.5 cm) spacing is allowed.

†Depth with shelf fully extended

If the water supply faucets, electrical outlets, gas supply line or power cord need modification, have a qualified plumber, electrician or gas technician make the changes.

Mobile home - additional installation requirements

Your dryer is suitable for mobile home installations. The installation must conform to the Manufactured Home Construction and Safety Standard, Title 24 CFR, Part 3280 (formerly the Federal Standard for Mobile Home Construction and Safety, Title 24, HUD Part 280).

Mobile home installations require:

- Metal exhaust system hardware, which is available for purchase from your local dealer or service center.
- (Gas dryers only) Mobile Home Installation Kit Part Number 346764. See "Tools and Parts" section of your dryer Use and Care Guide for information on ordering.
- Special provisions must be made in mobile homes to introduce outside air into the dryer. The opening (such as a nearby window) should be at least twice as large as the dryer exhaust opening. See the dryer Installation Instructions for more information on mobile home installation.

Uninstall Washer and Dryer

IMPORTANT: If your washer and dryer are already installed, they must be uninstalled.

If you need to uninstall your washer or dryer, see the Installation Instructions that came with your models for tools required.

⚠ WARNING

Excessive Weight Hazard

Use two or more people to move washer or dryer.
Failure to do so can result in back or other injury.

Uninstalling Your Washer (if not stacked)

1. Turn off the hot and cold water faucets.
2. Unplug the washer.
3. Slowly loosen the fill hoses at the faucets to relieve the water pressure. Use a sponge or towel to absorb the released water.
4. Remove the "HOT" or "COLD" fill hoses from the back of the washer. Drain water in the hoses into a bucket.
5. Remove the drain hose from the wall drain pipe or utility sink and drain any water in the hose into a bucket.

Uninstalling Your Electric Dryer (if not stacked)

1. For power supply cord-connected dryers:
 - Unplug the dryer.
- For direct-wired dryers:

⚠ WARNING



Electrical Shock Hazard

Disconnect power before servicing.
Replace all parts and panels before operating.
Failure to do so can result in death or electrical shock.

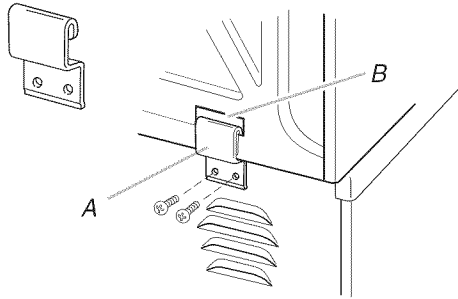
- Disconnect power.
 - Disconnect wiring.
2. Pull the dryer away from the wall enough to loosen the vent clamp. Loosen the clamp and gently remove the exhaust vent from the dryer exhaust outlet.

Uninstalling Your Gas Dryer (if not stacked)

1. Unplug the dryer.
2. Turn off the gas supply.
3. Pull the dryer away from the wall enough to loosen the vent clamp. Loosen the clamp and gently remove the exhaust vent from the dryer exhaust outlet.
4. Disconnect the flexible gas supply line from the dryer. Put a piece of tape over the open ends of the gas line connection fittings.

If Your Washer and Dryer are Already Stacked

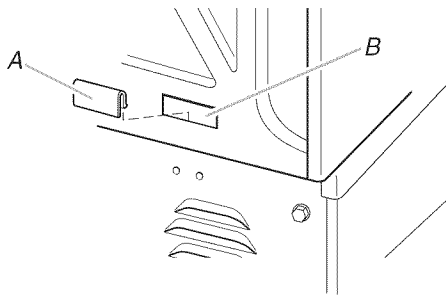
1. Remove the pan head screws that hold the bracket to the washer. Lift up on bracket to remove it from the slot in the back of the dryer.



A. Bracket
B. Slot

Repeat on other side.

2. Discard these brackets. Use the brackets that are provided with the slide-out work surface.
3. Lift up on the plastic clip to remove it from the slot in the back of the dryer.



A. Plastic clip
B. Slot

4. Place a protective covering, such as cardboard or a blanket, on the floor.

⚠ WARNING

Excessive Weight Hazard

Use two or more people to move washer or dryer.
Failure to do so can result in back or other injury.

5. Using two or more people, lift the dryer up off the washer and set it on the floor.

If Your Washer or Dryer Is Still In Its Packaging

⚠ WARNING

Excessive Weight Hazard

Use two or more people to move washer or dryer.
Failure to do so can result in back or other injury.

Position the packaged washer or dryer close to its final location.

- Follow unpacking instructions on the washer or dryer carton.

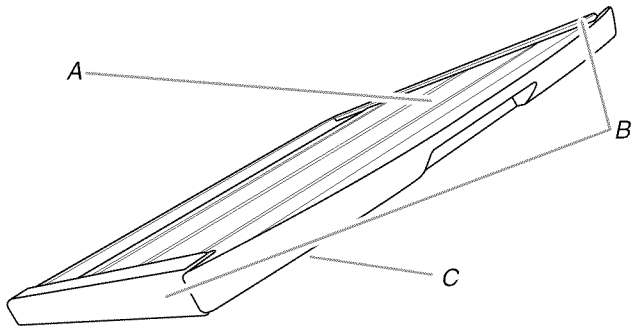
INSTALLATION INSTRUCTIONS

⚠ WARNING

Excessive Weight Hazard

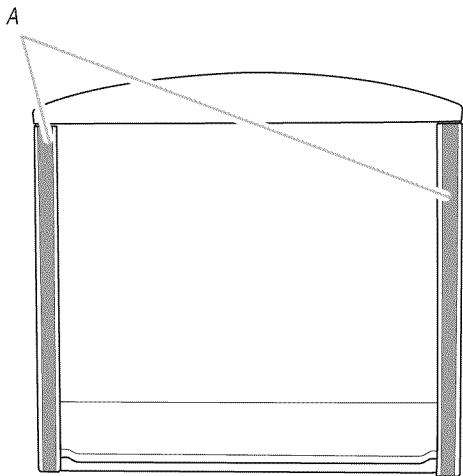
Use two or more people to move washer or dryer.
Failure to do so can result in back or other injury.

1. Move washer close to its final location. Leave space to work behind washer. Do not remove the shipping bolts.
2. Level washer as described in the washer Installation Instructions.
NOTE: Do not install the dryer feet.
3. If the dryer has the feet already installed, place a protective covering, such as cardboard or a blanket, on the floor. Gently lay the dryer down with its back on the covering.
4. Remove the dryer feet.
5. Place a protective covering, such as cardboard or a blanket, on the floor. Gently place the Slide-Out Work Surface, with the top side facing up, on the protective covering. See illustration.



A. Top side
B. Shelf frames
C. Bottom side

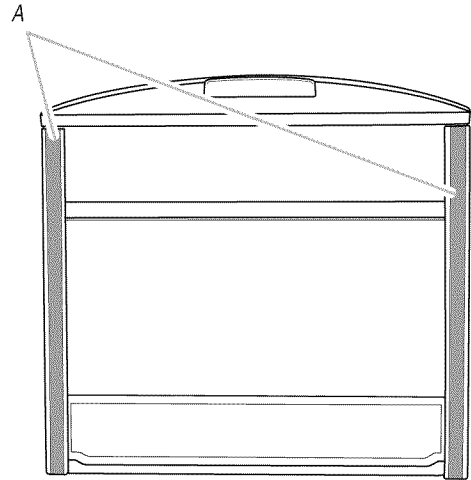
6. Remove the opaque adhesive protective strip from the long foam pads. Apply the adhesive side of the pads along the shelf frames so that they cover the entire length of the shelf frame surfaces and do not stick out past the sides or front edges of the frames.



A. Foam pads installed on top side

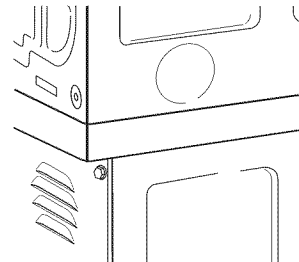
7. Turn the Slide-Out Work Surface back over so that the bottom side faces up.

8. Repeat Step 5 on the bottom side of the Slide-Out Work Surface. See illustration.

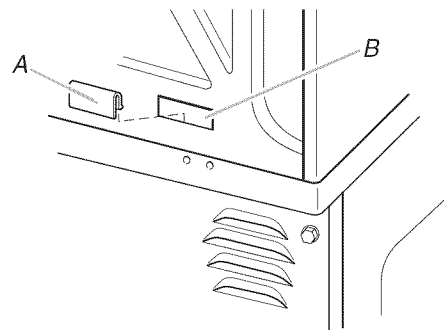


A. Foam pads installed on bottom side

9. Lift the Slide-Out Work Surface up and place it, top side facing up, on top of the washer so that the back of the work surface frame overhangs the back of the washer by about 1" (2.5 cm).
NOTE: The front of the work surface and dryer is positioned 1" (2.5 cm) back from the front of the washer to provide easier access to the washer's bleach dispenser.
10. Using two or more people, lift the dryer back to its upright position and move to the front of the washer.
11. Using two or more people, lift the dryer up and set it on top of the work surface. The back of the dryer and work surface frame overhang the back of the washer by about 1" (2.5 cm).



12. Remove the plastic clips, brackets and the pan head screws from the bag containing parts.
13. Take a plastic clip, and, with the flat side facing out, push it down onto the lower edge of a slot in the dryer back. Repeat on the other side with the second clip.



A. Plastic clip
B. Slot in dryer back

⚠ WARNING



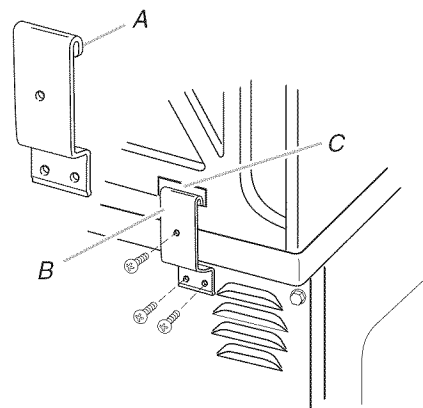
Tip Over Hazard

Do not use slide-out work surface until completely installed.

Install both hooked stack brackets between washer and dryer.

Failure to do so can result in death or serious injury.

14. Place the hooked end of the stack bracket over the plastic clip. Rotate down against the back of the washer if necessary. Adjust the dryer or work surface forward or backward as needed and attach the bracket to the washer with 2 of the $\frac{5}{8}$ " (16 mm) pan head screws. Attach the bracket to the work surface with one of the $\frac{3}{8}$ " (9.5 mm) pan head screws. Tighten screws. Repeat on the other side.

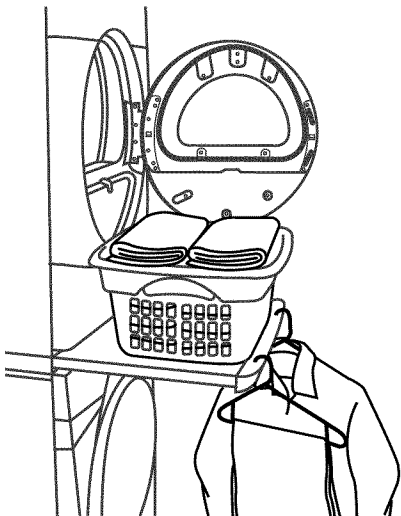


A. Hooked end
B. Stack bracket
C. Slot in dryer back

15. Follow the Installation Instructions that came with your washer and dryer to complete the installation. For a new washer follow the Installation Instructions to remove the shipping bolts.

SLIDE-OUT WORK SURFACE USE

Your slide-out work surface has several uses.



- The shelf provides a temporary work surface for pretreating, sorting and folding clothes, as well as a place to rest a laundry basket.
- The handle of the Slide-Out Work Surface has a raised lip that can be used for hanging items on hangers.

Approximately 10-12 clothing items on hangers can be hung off the work surface.

SLIDE-OUT WORK SURFACE CARE

To clean the interior and exterior:

- Use a soft damp cloth or sponge to wipe up any spills. Occasionally wipe the shelf to help keep it looking new.
- Use mild soap and water; do not use abrasive products.

LAUNDRY PRODUCT WARRANTY

Before You Call for Service

If this laundry product was purchased at Sears, the "Kenmore® Laundry Product Warranty" applies (see following).

If this laundry product was purchased elsewhere, the "Whirlpool Corporation Laundry Product Warranty" applies (see following). Please have your sales receipt available when you call Whirlpool Corporation for service under the "Whirlpool Corporation Laundry Product Warranty."

KENMORE® LAUNDRY PRODUCT WARRANTY

ONE YEAR LIMITED WARRANTY

When installed, operated and maintained according to all instructions supplied with the product, if this laundry product fails due to a defect in material or workmanship within one year from the date of purchase, call 1-800-4-MY-HOME to arrange for free repair. If this laundry product is used for other than private family purposes, this warranty applies for only 90 days from the date of purchase.

THIS WARRANTY COVERS ONLY DEFECTS IN MATERIAL AND WORKMANSHIP. SEARS WILL NOT PAY FOR:

1. Expendable items that can wear out from normal use, including but not limited to filters, belts, light bulbs, and bags.
2. A service technician to instruct the user in correct product installation, operation or maintenance.
3. A service technician to clean or maintain this product.
4. Damage to or failure of this product if it is not installed, operated or maintained according to all instructions supplied with the product.
5. Damage to or failure of this product resulting from accident, abuse, misuse or use for other than its intended purpose.
6. Damage to or failure of this product caused by the use of detergents, cleaners, chemicals or utensils other than those recommended in all instructions supplied with the product.
7. Damage to or failure of parts or systems resulting from unauthorized modifications made to this product.

DISCLAIMER OF IMPLIED WARRANTIES; LIMITATION OF REMEDIES

Customer's sole and exclusive remedy under this limited warranty shall be product repair as provided herein. Implied warranties, including warranties of merchantability or fitness for a particular purpose, are limited to one year or the shortest period allowed by law. Sears shall not be liable for incidental or consequential damages. Some states and provinces do not allow the exclusion or limitation of incidental or consequential damages, or limitations on the duration of implied warranties of merchantability or fitness, so these exclusions or limitations may not apply to you.

This warranty applies only while this laundry product is used in the United States and Canada.

This warranty gives you specific legal rights, and you may also have other rights which vary from state to state.

Sears, Roebuck and Co.
Hoffman Estates, IL 60179
Sears Canada Inc.
Toronto, Ontario, Canada M5B 2B8

PRODUCT RECORD

In the space below, record your complete model number, serial number, and purchase date. You can find this information on the model and serial number label located on the product.

Have this information available to help you obtain assistance or service more quickly whenever you contact Sears concerning your laundry product.

Model number _____

Serial number _____

Purchase date _____

Save these instructions and your sales receipt for future reference.

WHIRLPOOL CORPORATION LAUNDRY PRODUCT WARRANTY

ONE YEAR LIMITED WARRANTY

For one year from the date of purchase, when this product is operated and maintained according to instructions attached to or furnished with the product, Whirlpool or Whirlpool Canada (hereafter "Whirlpool") will pay for factory specified replacement parts and repair labor to correct defects in materials or workmanship. Service must be provided by a Whirlpool designated service company.

ITEMS WHIRLPOOL WILL NOT PAY FOR

1. Service calls to correct the installation of your product, to instruct you how to use your product, to replace or repair house fuses or to correct house wiring or plumbing.
 2. Repairs when your product is used for other than normal, single-family household use.
 3. Damage resulting from accident, alteration, misuse, abuse, fire, flood, acts of God, improper installation, installation not in accordance with electrical or plumbing codes, or use of products not approved by Whirlpool.
 4. Replacement parts or repair labor costs for units operated outside the United States or Canada.
 5. Pickup and delivery. This product is designed to be repaired in the home.
 6. Repairs to parts or systems resulting from unauthorized modifications made to the product.
 7. Expenses for travel and transportation for product service in remote locations.
 8. The removal and reinstallation of your product if it is installed in an inaccessible location or is not installed in accordance with published installation instructions.
-

DISCLAIMER OF IMPLIED WARRANTIES; LIMITATION OF REMEDIES

CUSTOMER'S SOLE AND EXCLUSIVE REMEDY UNDER THIS LIMITED WARRANTY SHALL BE PRODUCT REPAIR AS PROVIDED HEREIN. IMPLIED WARRANTIES, INCLUDING WARRANTIES OF MERCHANTABILITY OR FITNESS FOR A PARTICULAR PURPOSE, ARE LIMITED TO ONE YEAR OR THE SHORTEST PERIOD ALLOWED BY LAW. WHIRLPOOL SHALL NOT BE LIABLE FOR INCIDENTAL OR CONSEQUENTIAL DAMAGES. SOME STATES AND PROVINCES DO NOT ALLOW THE EXCLUSION OR LIMITATION OF INCIDENTAL OR CONSEQUENTIAL DAMAGES, OR LIMITATIONS ON THE DURATION OF IMPLIED WARRANTIES OF MERCHANTABILITY OR FITNESS, SO THESE EXCLUSIONS OR LIMITATIONS MAY NOT APPLY TO YOU. THIS WARRANTY GIVES YOU SPECIFIC LEGAL RIGHTS AND YOU MAY ALSO HAVE OTHER RIGHTS, WHICH VARY FROM STATE TO STATE OR PROVINCE TO PROVINCE.

Outside the 50 United States and Canada, this warranty does not apply. Contact your authorized Whirlpool dealer to determine if another warranty applies. If you need service, in the U.S.A., call **1-800-422-1230**. In Canada, call **1-800-807-6777**.

6/06

Keep this book and your sales slip together for future reference. You must provide proof of purchase or installation date for in-warranty service.

Write down the following information about your major product to better help you obtain assistance or service if you ever need it. You will need to know your complete model number and serial number. You can find this information on the model and serial number label located on the product.

Dealer name _____
Address _____
Phone number _____
Model number _____
Serial number _____
Purchase date _____

Notes

SEGURIDAD DEL JUEGO PARA APILAR

Su seguridad y la seguridad de los demás es muy importante.

Hemos incluido muchos mensajes importantes de seguridad en este manual y en su electrodoméstico. Lea y obedezca siempre todos los mensajes de seguridad.



Este es el símbolo de advertencia de seguridad.

Este símbolo le llama la atención sobre peligros potenciales que pueden ocasionar la muerte o una lesión a usted y a los demás.

Todos los mensajes de seguridad irán a continuación del símbolo de advertencia de seguridad y de la palabra "PELIGRO" o "ADVERTENCIA". Estas palabras significan:

⚠ PELIGRO

Si no sigue las instrucciones de inmediato, usted puede morir o sufrir una lesión grave.

⚠ ADVERTENCIA

Si no sigue las instrucciones, usted puede morir o sufrir una lesión grave.

Todos los mensajes de seguridad le dirán el peligro potencial, le dirán cómo reducir las posibilidades de sufrir una lesión y lo que puede suceder si no se siguen las instrucciones.

REQUISITOS DE INSTALACIÓN

Piezas suministradas

- Soportes para apilar en forma de gancho (2)
- Sujetadores de plástico (2)
- Almohadillas de espuma (4)
- Tornillos de cabeza de cono achatado de $\frac{5}{8}$ " (16 mm) (6)
- Estante deslizable

Herramientas necesarias

Reúna las herramientas y piezas necesarias antes de comenzar la instalación. Lea y siga las instrucciones provistas con cualquiera de las herramientas enlistadas aquí.

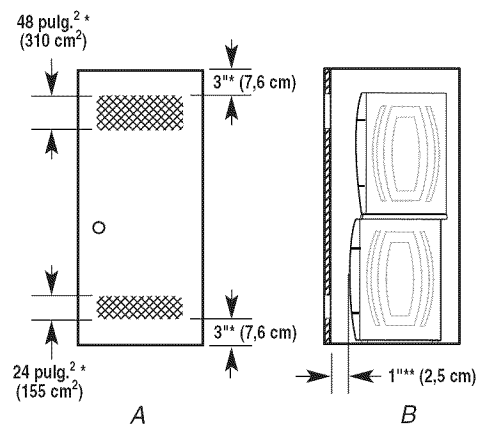
- Destornillador Phillips
- Nivel
- Llave de tuercas ajustable que se abra a 1" (2,5 cm) o una llave de cubo de cabeza hexagonal (para sacar las patas de la secadora)
- Cubeta
- Pinzas o pinzas ajustables (para las mangueras de entrada y de desagüe)

Requisitos de ubicación

IMPORTANTE: La lavadora/secadora apiladas pueden instalarse en un lugar encerrado. Verifique la ubicación de los grifos de suministro de agua, los contactos eléctricos a tierra y la conexión de la línea de suministro de gas (sólo en la secadora a gas). Según su aplicación, tal vez sean necesarias mangueras de llenado más largas para la lavadora, cables de suministro eléctrico más largos y una línea de conexión de gas de acero inoxidable flexible más larga de lo que se ha suministrado con la lavadora/secadora.

Para obtener más información, vea las Instrucciones de instalación que vinieron con la lavadora y la secadora.

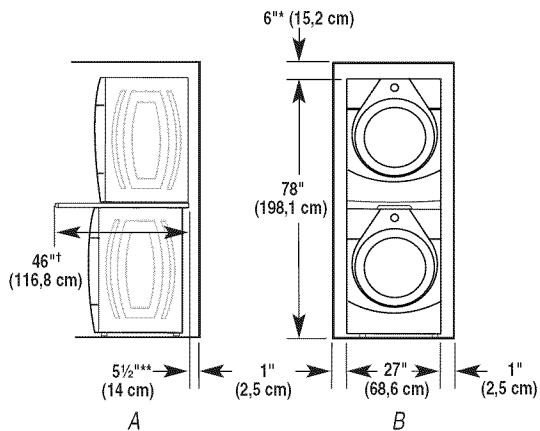
Para la instalación en clóset, con una puerta, se requieren aberturas de ventilación mínimas en la parte superior e inferior de la puerta. Se aceptan puertas tipo persianas con aberturas de ventilación equivalentes.



A. Aberturas de ventilación mínimas de las puertas del clóset
B. Vista lateral de la lavadora y la secadora apiladas

*Espacio necesario

**Para una ventilación lateral hacia el exterior, se permite un espacio de 1" (2,5 cm).



A. Vista lateral de la lavadora y la secadora apiladas
B. Vista frontal de la lavadora y la secadora apiladas

*Espacio necesario

**Para una ventilación lateral hacia el exterior, se permite un espacio de 1" (2,5 cm).

†Profundidad con el estante completamente extendido

Si los grifos de suministro de agua, contactos eléctricos, línea de suministro de gas o el cable de suministro necesitan modificarse, haga que un plomero, electricista o técnico de gas competente haga los cambios necesarios.

Requisitos de instalación adicionales para las casas rodantes

Su secadora es apropiada para instalaciones en casas rodantes. La instalación debe ajustarse al Manufactured Home Construction and Safety Standard (Estándar de seguridad y construcción de casas fabricadas), Título 24 CFR, Parte 3280 (anteriormente conocido como Federal Standard for Mobile Home Construction and Safety [Estándar federal para la seguridad y construcción de casas rodantes], Título 24, HUD Parte 280).

Las instalaciones en casas rodantes necesitan:

- Artículos de ferretería para sistemas de ventilación de metal, que se pueden comprar en su distribuidor o en el centro de servicio técnico de su localidad.
- (Sólo para las secadoras a gas) Juego para la instalación en casas rodantes, pieza número 346764. Vea la sección "Herramientas y piezas" del Manual de uso y cuidado de la secadora para las instrucciones sobre cómo pedir.
- Se deben tomar medidas especiales en el caso de casas rodantes para introducir el aire del exterior en la secadora. La abertura (como la de una ventana adyacente) deberá ser por lo menos el doble de tamaño que la abertura de ventilación de la secadora. Vea las Instrucciones de instalación de la secadora para obtener más información acerca de la instalación en casas rodantes.

Cómo desinstalar la lavadora y la secadora

IMPORTANTE: Si su lavadora y secadora ya están instaladas, se deben desinstalar.

Si necesita desinstalar su lavadora o secadora, vea las Instrucciones de instalación incluidas con su modelo para consultar cuáles son las herramientas necesarias.

⚠ ADVERTENCIA

Peligro de Peso Excesivo

Use dos o más personas para mover la lavadora o la secadora.

No seguir esta instrucción puede ocasionar una lesión en la espalda u otro tipo de lesiones.

Desinstalación de su lavadora (si no está apilada)

1. Cierre los grifos de agua caliente y fría.
2. Desenchufe la lavadora.
3. Afloje lentamente las mangueras de llenado en los grifos para aliviar la presión de agua. Use una esponja o una toalla para absorber el agua saliente.
4. Saque las mangueras de llenado de agua caliente (HOT) o fría (COLD) de la parte trasera de la lavadora. Drene el agua de las mangueras en un balde.
5. Quite la manguera de desagüe del tubo de desagüe o del lavadero utilitario y drene en una cubeta el agua que pueda haber en la manguera.

Desinstalación de su secadora eléctrica (si no está apilada)

1. Para secadoras conectadas al cable de suministro eléctrico:

- Desenchufe la secadora.

Para secadoras con cableado directo:

⚠ ADVERTENCIA



Peligro de Choque Eléctrico

Desconecte el suministro de energía antes de darle mantenimiento.

Vuelva a colocar todos los componentes y paneles antes de hacerlo funcionar.

No seguir estas instrucciones puede ocasionar la muerte o choque eléctrico.

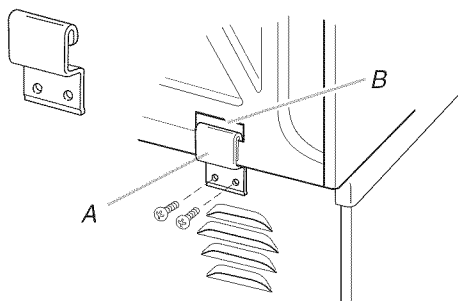
- Desconecte el suministro de energía.
 - Desconecte el cableado.
2. Aleje la secadora de la pared lo suficiente para aflojar la abrazadera del ducto de escape. Afloje la abrazadera y quite suavemente el ducto de escape de la salida de aire de la secadora.

Desinstalación de su secadora a gas (si no está apilada)

1. Desenchufe la secadora.
2. Cierre el suministro de gas.
3. Aleje la secadora de la pared lo suficiente para aflojar la abrazadera del ducto de escape. Afloje la abrazadera y quite suavemente el ducto de escape de la salida de aire de la secadora.
4. Desconecte la línea flexible de suministro de gas de la secadora. Coloque cinta sobre los extremos abiertos de los accesorios de conexión de la línea de gas.

Si su lavadora y secadora ya están apiladas

1. Quite los tornillos de cabeza de cono achatado que sostienen el soporte a la lavadora. Levante por el soporte para quitarlo de la ranura en la parte posterior de la secadora.

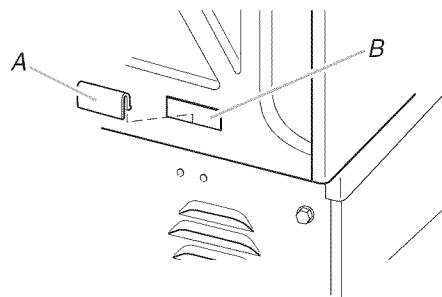


A. Soporte
B. Ranura

Repita del otro lado.

2. Deseche estos soportes. Use los soportes provistos con la superficie de trabajo deslizante.

3. Levante por el sujetador de plástico para quitarlo de la ranura en la parte posterior de la secadora.



A. Sujetador de plástico
B. Ranura

4. Coloque una cubierta protectora sobre el piso, como un trozo de cartón o una cobija.

⚠ ADVERTENCIA

Peligro de Peso Excesivo

Use dos o más personas para mover la lavadora o la secadora.

No seguir esta instrucción puede ocasionar una lesión en la espalda u otro tipo de lesiones.

5. Con la ayuda de 2 o más personas, levante la secadora separándola de la lavadora y póngala en el piso.

Si la lavadora o la secadora está todavía en su empaque

⚠ ADVERTENCIA

Peligro de Peso Excesivo

Use dos o más personas para mover la lavadora o la secadora.

No seguir esta instrucción puede ocasionar una lesión en la espalda u otro tipo de lesiones.

Coloque la lavadora o la secadora en su empaque cerca de su ubicación final.

- Siga las instrucciones para desempacar, que están en el cartón de la lavadora o la secadora.

INSTRUCCIONES DE INSTALACIÓN

⚠ ADVERTENCIA

Peligro de Peso Excesivo

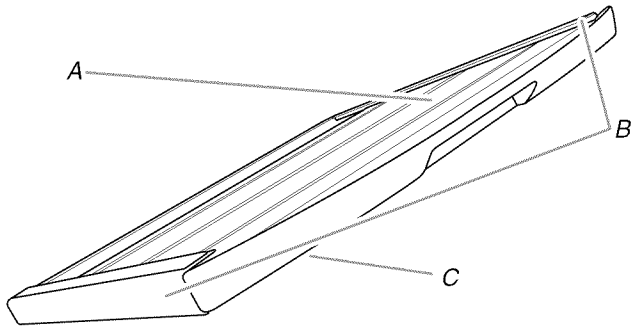
Use dos o más personas para mover la lavadora o la secadora.

No seguir esta instrucción puede ocasionar una lesión en la espalda u otro tipo de lesiones.

1. Traslade la lavadora cerca de su ubicación final. Deje espacio para trabajar detrás de la lavadora. No quite los pernos de empaque.

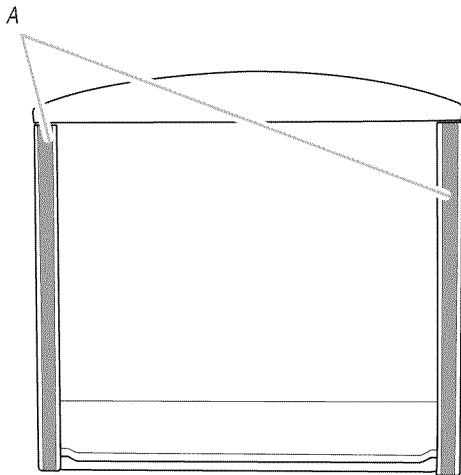
2. Nivele la lavadora como se describe en las Instrucciones de instalación de la misma.
NOTA: No instale las patas de la secadora.
3. Si las patas de la secadora ya están instaladas, coloque una cubierta protectora sobre el piso, como un trozo de cartón o una cobija. Coloque la secadora con cuidado, con la parte de atrás sobre la cubierta.
4. Quite las patas de la secadora.

5. Coloque una cubierta protectora sobre el piso, como un trozo de cartón o una cobija. Dé vuelta con cuidado la superficie de trabajo deslizante y colóquela sobre la cubierta protectora. Vea la ilustración.



A. Lado superior
B. Marcos del estante
C. Lado inferior

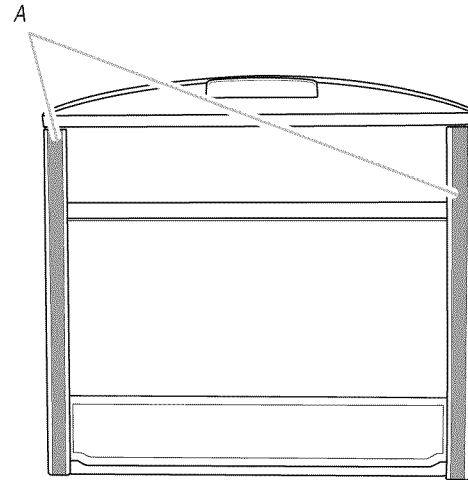
6. Quite la tira adhesiva protectora opaca de las almohadillas de espuma largas. Aplique el lado adhesivo de las almohadillas a lo largo de los marcos del estante, de manera que cubra toda la longitud de las superficies del marco del estante y que no sobresalgan por los lados o los bordes del frente de los marcos.



A. Almohadillas de espuma instaladas en el lado superior

7. Dé vuelta nuevamente la superficie de trabajo deslizante de manera que la parte inferior apunte hacia arriba.

8. Repita el Paso 5 del lado inferior de la superficie de trabajo deslizante. Vea la ilustración.



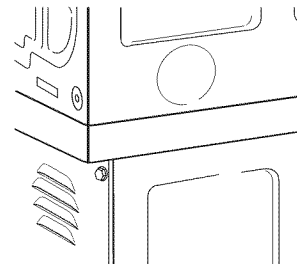
A. Almohadillas de espuma instaladas en el lado inferior

9. Levante la superficie de trabajo deslizante y colóquela sobre la lavadora, de manera que la parte posterior del marco de la misma sobresalga de la parte posterior de la lavadora por 1" (2,5 cm) aproximadamente.

NOTA: El frente de la superficie de trabajo y la secadora está colocado a 1" (2,5 cm) detrás del frente de la lavadora, para proveer un acceso más fácil al depósito del blanqueador de la lavadora.

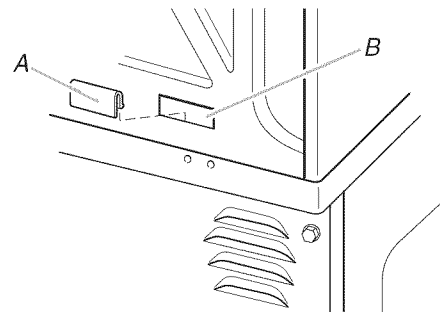
10. Con la ayuda de 2 o más personas, vuelva a levantar la parte posterior de la secadora hacia su posición vertical. Póngase al frente de la lavadora.

11. Con la ayuda de 2 o más personas, levante la secadora y colóquela sobre la superficie de trabajo. La parte posterior de la secadora y el marco de la superficie de trabajo sobresalen de la parte posterior de la lavadora aproximadamente por 1" (2,5 cm).



12. Saque los sujetadores de plástico, los soportes y los tornillos de cabeza de cono achatado de la bolsa que contiene las piezas.

13. Tome un sujetador de plástico, y con el lado plano mirando hacia afuera, empújelo hacia abajo, sobre el borde inferior de la ranura que está en la parte posterior de la secadora. Repita sobre el otro lado con el segundo sujetador.



A. Sujetador de plástico
B. Ranura en la parte posterior de la secadora

⚠ ADVERTENCIA



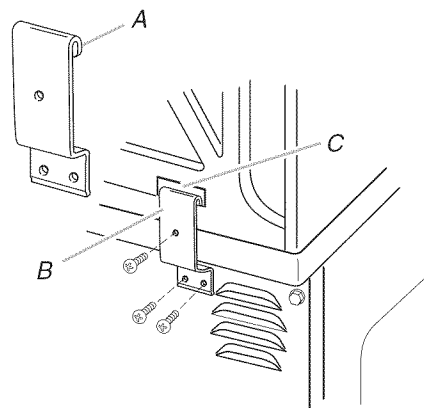
Peligro de Vuelco

No use la superficie de trabajo deslizable hasta que esté completamente instalada.

Instale ambos soportes para apilar en forma de gancho entre la lavadora y la secadora.

No seguir esta instrucción puede ocasionar la muerte o lesiones graves.

14. Coloque el extremo en forma de gancho del soporte para apilar sobre el sujetador de plástico. Si es necesario, rótelo hacia abajo, sobre la parte posterior de la lavadora. Regule la secadora o superficie de trabajo hacia adelante o hacia atrás, según sea necesario, y sujete el soporte a la abrazadera con 2 tornillos de cabeza de cono achatado de $\frac{5}{8}$ " (16 mm). Sujete el soporte a la superficie de trabajo con uno de los tornillos de cabeza de cono achatado de $\frac{3}{8}$ " (9,5 mm). Apriete los tornillos. Repita el procedimiento en el otro lado.

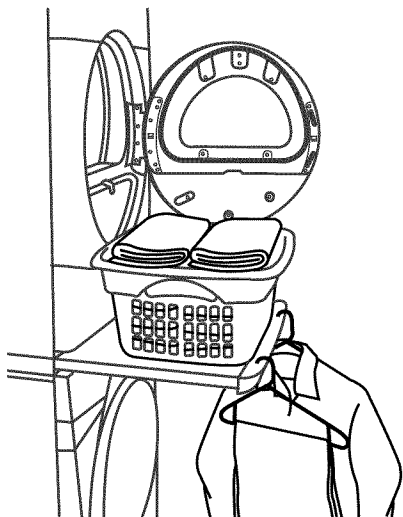


A. Extremo en forma de gancho
B. Soporte para apilar
C. Ranura en la parte posterior de la secadora

15. Siga las Instrucciones de instalación que vinieron con su lavadora y secadora para completar la instalación. Para una lavadora nueva, siga las Instrucciones de instalación para quitar los pernos de empaque.

USO DE LA SUPERFICIE DE TRABAJO DESLIZABLE

La superficie de trabajo deslizable tiene varios usos.



- El estante provee una superficie temporaria de trabajo para tratar previamente la ropa, clasificarla y doblarla, así como también un lugar en donde colocar una canasta de lavandería.
- La agarradera de la superficie de trabajo deslizable tiene un borde con relieve, el cual puede usarse para colgar los artículos en las perchas.

Se pueden colgar aproximadamente de 10 a 12 artículos sobre perchas en la superficie de trabajo.

CUIDADO DE LA SUPERFICIE DE TRABAJO DESLIZABLE

Para limpiar el interior y el exterior:

- Use un paño suave y húmedo o una esponja para limpiar cualquier derrame. De vez en cuando pásele un paño al estante, para ayudar a mantenerlo como nuevo.

- Use jabón suave y agua; no use productos abrasivos.

GARANTÍA DE LOS PRODUCTOS DE LAVANDERÍA

Antes de solicitar servicio técnico

Si este producto de lavandería fue adquirido en Sears, se aplicará la “Garantía de los productos de lavandería Kenmore®” (vea a continuación).

Si este producto de lavandería fue adquirido en otro lugar, se aplicará la “Garantía de los productos de lavandería Whirlpool” (vea a continuación). Sírvase tener a mano su recibo de compra cuando llame a a Whirlpool Corporation para solicitar servicio bajo la “Garantía de los productos de lavandería de Whirlpool Corporation”.

GARANTÍA DE LOS PRODUCTOS DE LAVANDERÍA KENMORE®

GARANTÍA LIMITADA DE UN AÑO

Cuando este electrodoméstico haya sido instalado, operado y mantenido según las instrucciones provistas con el producto, si este producto de lavandería falla por defectos de material o de mano de obra dentro de un año a partir de la fecha de compra, llame al 1-800-4-MY-HOME para gestionar la reparación libre de cargo. Si este producto de lavandería es empleado para algún otro uso que no sea el doméstico familiar, esta garantía sólo tiene vigencia por 90 días a partir de la fecha de compra.

ESTA GARANTÍA CUBRE SOLAMENTE LOS DEFECTOS DE MATERIAL Y MANO DE OBRA. SEARS NO PAGARÁ POR:

1. Los artículos no reutilizables que pueden gastarse por el uso normal, incluyendo, pero sin limitación, filtros, correas, focos y bolsas.
2. Un técnico de servicio para enseñarle al usuario cómo instalar, operar o mantener el producto adecuadamente.
3. Un técnico de servicio para limpiar o mantener este producto.
4. Daños a este producto o fallas del mismo en caso de no ser instalado, operado o mantenido conforme a todas las instrucciones provistas con el producto.
5. Daños a este producto o fallas del mismo como resultado de accidente, abuso, uso indebido o un uso diferente de aquel para el cual fue creado.
6. Daños a este producto o fallas del mismo causados por el uso de detergentes, limpiadores, productos químicos o utensilios diferentes de los recomendados en todas las instrucciones provistas con el producto.
7. Daños a piezas o sistemas o fallas de los mismos como resultado de modificaciones no autorizadas que se hayan efectuado en este producto.

EXCLUSIÓN DE GARANTÍAS IMPLÍCITAS; LIMITACIÓN DE RECURSOS

El único y exclusivo recurso del cliente según los términos de esta garantía limitada será el de reparar el producto según se estipula en la presente. Las garantías implícitas, incluyendo las garantías de comerciabilidad o de capacidad para un propósito particular, serán limitadas a un año o al período más corto permitido por ley. Sears no se hará responsable por daños incidentales o consecuentes. Algunos estados y provincias no permiten la exclusión o limitación de daños incidentales o consecuentes, o limitaciones acerca de cuánto debe durar una garantía implícita de comerciabilidad o capacidad, de modo que las limitaciones o exclusiones arriba mencionadas pueden no aplicarse en su caso.

Esta garantía se aplica sólo mientras este producto de lavandería se usa en los Estados Unidos y Canadá.

Esta garantía le otorga derechos legales específicos, y es posible que usted tenga también otros derechos, los cuales varían de un estado a otro.

**Sears, Roebuck and Co.
Hoffman Estates, IL 60179**

**Sears Canada Inc.
Toronto, Ontario, Canada M5B 2B8**

REGISTRO DEL PRODUCTO

En el espacio a continuación, anote el número completo de modelo y serie así como la fecha de compra. Usted puede encontrar esta información en la etiqueta con el número de modelo y de serie ubicada en el producto.

Tenga esta información disponible para facilitarle la obtención de asistencia o servicio con prontitud siempre que llame a Sears con respecto a su producto de lavandería.

Número de modelo _____

Número de serie _____

Fecha de compra _____

Guarde estas instrucciones y su comprobante de compra para referencia futura.

GARANTÍA DE LOS PRODUCTOS DE LAVANDERÍA DE WHIRLPOOL CORPORATION

GARANTÍA LIMITADA DE UN AÑO

Durante un año a partir de la fecha de compra, siempre y cuando se dé a este producto un uso y mantenimiento de conformidad con las instrucciones adjuntas o provistas con el producto, Whirlpool o Whirlpool Canada (en lo sucesivo denominado "Whirlpool") se hará cargo del costo de las piezas de repuesto especificadas de fábrica y del trabajo de reparación para corregir defectos en los materiales o en la mano de obra. El servicio deberá ser suministrado por una compañía de servicio designada por Whirlpool.

WHIRLPOOL NO PAGARÁ POR LOS SIGUIENTES ARTÍCULOS

1. Visitas de servicio técnico para corregir la instalación de su producto, para enseñarle a usar su producto, para cambiar o reparar fusibles domésticos o para corregir la instalación eléctrica o de la tubería de la casa.
 2. Reparaciones cuando su producto se use de un modo diferente al doméstico normal de una familia.
 3. Daños causados por accidente, alteración, uso indebido, abuso, incendio, inundación, actos fortuitos, instalación incorrecta, instalación que no esté de acuerdo con los códigos eléctricos o de plomería, o el empleo de productos no aprobados por Whirlpool.
 4. Piezas de repuesto o gastos de reparación para electrodomésticos que se empleen fuera de los Estados Unidos o Canadá.
 5. Recogida y entrega. Este producto está diseñado para ser reparado en el hogar.
 6. Reparaciones de piezas o sistemas como resultado de modificaciones no autorizadas que se hayan efectuado en el producto.
 7. Gastos de viaje y transporte para obtener servicio del producto en lugares remotos.
 8. La remoción e instalación de su producto si estuviera instalado en un lugar inaccesible o si no estuviera instalado de conformidad con las instrucciones de instalación publicadas.
-

EXCLUSIÓN DE GARANTÍAS IMPLÍCITAS; LIMITACIÓN DE RECURSOS

EL ÚNICO Y EXCLUSIVO RECURSO DEL CLIENTE SEGÚN LOS TÉRMINOS DE ESTA GARANTÍA LIMITADA SERÁ EL DE REPARAR EL PRODUCTO SEGÚN SE ESTIPULA EN LA PRESENTE. LAS GARANTÍAS IMPLÍCITAS, INCLUYENDO LAS GARANTÍAS DE COMERCIALIZACIÓN O DE CAPACIDAD PARA UN PROPÓSITO PARTICULAR, SERÁN LIMITADAS A UN AÑO O AL PERÍODO MÁS CORTO PERMITIDO POR LEY. WHIRLPOOL NO SE RESPONSABILIZARÁ POR DAÑOS INCIDENTALES O CONSECUENTES. ALGUNOS ESTADOS Y PROVINCIAS NO PERMITEN LAS EXCLUSIONES O LIMITACIONES POR DAÑOS INCIDENTALES O CONSECUENTES, O LIMITACIONES ACERCA DE CUÁNTO DEBE DURAR UNA GARANTÍA IMPLÍCITA DE COMERCIALIZACIÓN O CAPACIDAD, DE MODO QUE LAS LIMITACIONES O EXCLUSIONES ARRIBA MENCIONADAS PUEDEN NO APLICARSE EN SU CASO. ESTA GARANTÍA LE OTORGA DERECHOS LEGALES ESPECÍFICOS Y ES POSIBLE QUE USTED TENGA TAMBIÉN OTROS DERECHOS QUE PUEDEN VARIAR DE UN ESTADO A OTRO O DE UNA PROVINCIA A OTRA.

Esta garantía no tiene vigor fuera de los cincuenta Estados Unidos y Canadá. Póngase en contacto con el distribuidor autorizado de Whirlpool para determinar si corresponde otra garantía. En los EE.UU., si necesita servicio, llame al **1-800-422-1230**. En Canadá, llame al **1-800-807-6777**.

6/06

Guarde este libro y su comprobante de compra juntos para referencia futura. Usted deberá proporcionar el comprobante de la compra o una fecha de instalación para obtener servicio bajo la garantía.

Escriba la siguiente información acerca de su producto principal para ayudarle mejor a obtener asistencia o servicio técnico si alguna vez llegara a necesitarlo. Deberá tener a mano el número completo del modelo y de la serie. Usted puede encontrar esta información en la etiqueta con el número de modelo y de serie ubicada en el producto.

Nombre del distribuidor _____

Dirección _____

Número de teléfono _____

Número de modelo _____

Número de serie _____

Fecha de compra _____

SÉCURITÉ DE L'ACCESSOIRE POUR APPAREILS SUPERPOSÉS

Votre sécurité et celle des autres est très importante.

Nous donnons de nombreux messages de sécurité importants dans ce manuel et sur votre appareil ménager. Assurez-vous de toujours lire tous les messages de sécurité et de vous y conformer.



Voici le symbole d'alerte de sécurité.

Ce symbole d'alerte de sécurité vous signale les dangers potentiels de décès et de blessures graves à vous et à d'autres.

Tous les messages de sécurité suivront le symbole d'alerte de sécurité et le mot "DANGER" ou "AVERTISSEMENT". Ces mots signifient :

⚠ DANGER

Risque possible de décès ou de blessure grave si vous ne suivez pas immédiatement les instructions.

⚠ AVERTISSEMENT

Risque possible de décès ou de blessure grave si vous ne suivez pas les instructions.

Tous les messages de sécurité vous diront quel est le danger potentiel et vous disent comment réduire le risque de blessure et ce qui peut se produire en cas de non-respect des instructions.

EXIGENCES D'INSTALLATION

Pièces fournies

- Brides d'arrimage avec crochet (2)
- Garnitures de plastique (2)
- Panneaux de mousse (4)
- Vis $\frac{5}{8}$ " (16 mm) à tête bombée (6)
- Étagère escamotable

Outils nécessaires

Rassembler les outils et pièces nécessaires avant de commencer l'installation. Lire et suivre les instructions fournies avec les outils indiqués ici.

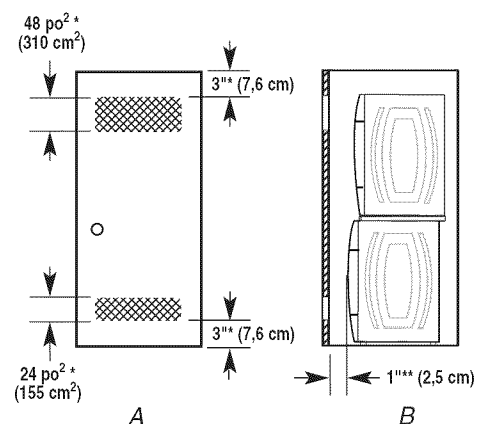
- Tournevis Phillips
- Clé à mollette - ouverture jusqu'à 1" (2,5 cm), ou clé à douille hexagonale (pour l'extraction des pieds de la sècheuse)
- Niveau
- Seau
- Pince ou pince à joint coulissant (pour les tuyaux d'évacuation et d'alimentation)

Exigences d'emplacement

IMPORTANT : La laveuse/sècheuse superposée peut être installée dans un espace clos. Déterminer la position des robinets d'arrivée d'eau, des prises de courant (liaison à la terre) et de la canalisation de gaz (appareil à gaz seulement). Selon la situation ou la configuration d'installation, il peut être nécessaire d'utiliser des tuyaux d'arrivée d'eau plus longs pour la laveuse, des cordons d'alimentation électrique plus longs ou un conduit de raccordement flexible en acier inoxydable (gaz) plus long que les accessoires fournis avec la laveuse/sècheuse.

Pour d'autres détails, consulter les instructions d'installation fournies avec chaque appareil.

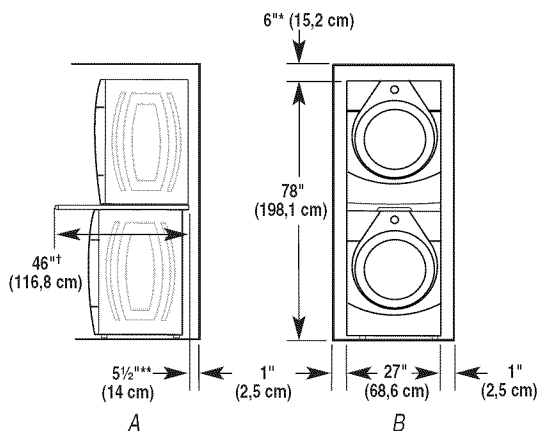
Pour installation dans un placard avec porte, on doit prévoir des ouvertures minimums d'entrée d'air en haut et en bas de la porte. Les portes à claire-voie offrant des ouvertures équivalentes de passage de l'air sont acceptables.



A. Ouvertures d'aération minimum de la porte du placard
B. Vue latérale - laveuse et sècheuse superposées

*Espace requis

**Pour la décharge par le côté, un dégagement de 1" (2,5 cm) est permis.



A. Vue latérale - laveuse et sécheuse superposées
 B. Vue de face - laveuse et sécheuse superposées

*Espace requis

**Pour la décharge par le côté, un dégagement de 1" (2,5 cm) est permis.

†Profondeur avec étagère complètement déployée

S'il est nécessaire de modifier l'installation de robinets d'eau, prise de courant électrique, canalisation de gaz ou circuit électrique, confier ce travail à une personne qualifiée (plombier, électricien, spécialiste de l'installation des appareils à gaz).

Installation dans une maison mobile - exigences supplémentaires

Cette sécheuse peut être installée dans une résidence mobile. L'installation doit être conforme aux critères de la version la plus récente de la norme suivante des É.-U. : Manufactured Home Construction and Safety Standard, Title 24 CFR, Part 3280 (anciennement Federal Standard for Mobile Home Construction and Safety, Title 24, HUD Part 280).

Autres critères à respecter pour une installation en résidence mobile :

- Circuit d'évacuation métallique - les composants sont disponibles auprès d'un commerçant local ou centre de service local.
- (Sécheuses à gaz seulement) Ensemble d'installation pour résidence mobile, pièce numéro 346764. Pour la commande, voir la section "Outils et composants" dans le manuel d'utilisation et entretien de la sécheuse.
- Il faut prendre des dispositions spéciales dans les maisons mobiles pour l'apport d'air de l'extérieur dans la sécheuse. L'ouverture (telle qu'une fenêtre à proximité) devrait être au moins deux fois plus grande que l'ouverture de décharge de la sécheuse. Pour d'autres informations sur l'installation dans une résidence mobile, consulter les Instructions d'installation de la sécheuse.

Désinstallation - Laveuse et sécheuse

IMPORTANT : Si la laveuse et la sécheuse ont déjà été installées, elles doivent être désinstallées.

Au sujet de l'outillage nécessaire pour la désinstallation de la laveuse ou de la sécheuse, consulter les Instructions d'installation fournies avec chaque appareil.

⚠ AVERTISSEMENT

Risque du poids excessif

Utiliser deux ou plus de personnes pour déplacer la laveuse ou la sécheuse.

Le non-respect de cette instruction peut causer une blessure au dos ou d'autre blessure.

Désinstallation de la laveuse (si non superposée)

1. Fermer les robinets d'eau chaude et d'eau froide.
2. Débrancher le cordon d'alimentation électrique.
3. Desserrer lentement les tuyaux de remplissage sur les robinets pour relâcher la pression d'eau. Utiliser une éponge ou un essuie-tout pour absorber l'eau qui s'est déversée.
4. Déconnecter les tuyaux d'eau CHAUDE et d'eau FROIDE à l'arrière de la laveuse. Vidanger l'eau provenant des tuyaux dans un seau.
5. Retirer le tuyau d'évacuation flexible du tuyau rigide raccordé à l'égout ou de l'évier adjacent, et vider dans un seau toute l'eau présente dans le tuyau.

Désinstallation de la sécheuse électrique (si non superposée)

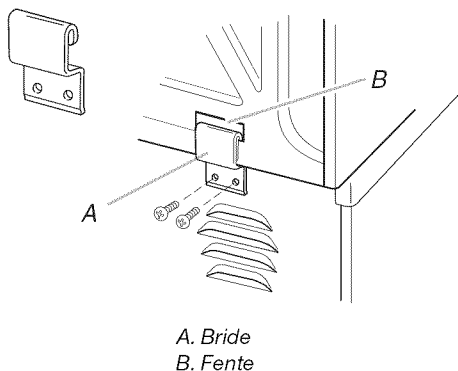
1. **Pour les sécheuses alimentées par cordon d'alimentation :**
 - Débrancher le cordon d'alimentation électrique.
2. Éloigner suffisamment la sécheuse du mur pour pouvoir desserrer la bride du conduit de décharge. Desserrer la bride et retirer doucement le conduit d'évacuation de la bouche de décharge de la sécheuse.

Désinstallation de la sècheuse à gaz (si non superposée)

1. Débrancher le cordon d'alimentation électrique.
2. Couper l'alimentation en gaz.
3. Éloigner suffisamment la sècheuse du mur pour pouvoir desserrer la bride du conduit de décharge. Desserrer la bride et retirer doucement le conduit d'évacuation de la bouche de décharge de la sècheuse.
4. Déconnecter le tuyau flexible d'alimentation en gaz de la sècheuse. Placer un morceau de ruban adhésif sur les extrémités ouvertes des raccords à compression de la canalisation de gaz.

Si la sècheuse et la laveuse sont déjà superposées

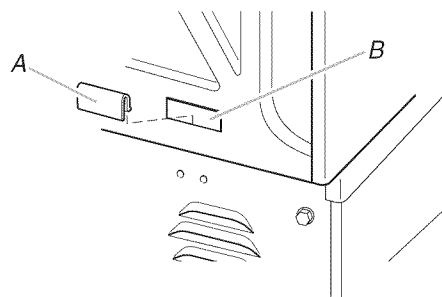
1. Retirer les vis (tête bombée) qui fixent la bride à la laveuse. Soulever la bride pour la retirer de la fente à l'arrière de la sècheuse.



Répéter l'opération pour l'autre côté.

2. Jeter ces brides. Utiliser les brides fournies avec l'étagère escamotable.

3. Soulever la garniture en plastique bride pour la retirer de la fente à l'arrière de la sècheuse.



A. Garniture de plastique
B. Fente

4. Placer un matériau de protection sur le sol - feuille de carton ou couverture.

⚠ AVERTISSEMENT

Risque du poids excessif

Utiliser deux ou plus de personnes pour déplacer la laveuse ou la sècheuse.

Le non-respect de cette instruction peut causer une blessure au dos ou d'autre blessure.

5. À l'aide de deux personnes ou plus, soulever la sècheuse pour la séparer de la laveuse et la déposer au sol. Étendre la sècheuse sur la face arrière, sur le matériau de protection.

Si la laveuse ou sècheuse est encore dans son emballage

⚠ AVERTISSEMENT

Risque du poids excessif

Utiliser deux ou plus de personnes pour déplacer la laveuse ou la sècheuse.

Le non-respect de cette instruction peut causer une blessure au dos ou d'autre blessure.

Placer la laveuse ou la sècheuse emballée à proximité de l'emplacement d'installation final.

- Suivre les instructions de déballage sur le carton de la laveuse ou de la sècheuse.

INSTRUCTIONS D'INSTALLATION

⚠ AVERTISSEMENT

Risque du poids excessif

Utiliser deux ou plus de personnes pour déplacer la laveuse ou la sécheuse.

Le non-respect de cette instruction peut causer une blessure au dos ou d'autre blessure.

1. Placer la laveuse près de son emplacement d'installation final. Laisser suffisamment d'espace pour pouvoir travailler derrière la laveuse. Ne pas retirer les vis de calage utilisées pour l'expédition.

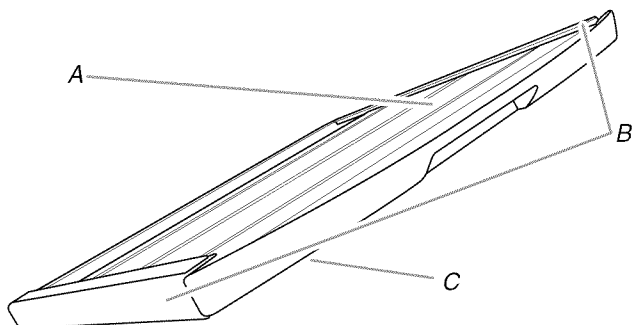
2. Établir l'aplomb de la laveuse - voir les instructions d'installation de la laveuse.

REMARQUE : Ne pas installer les pieds de la sécheuse.

3. Si les pieds de la sécheuse sont déjà installés, placer un matériau de protection sur le sol - feuille de carton ou couverture. Étendre la sécheuse sur la face arrière, sur le matériau de protection.

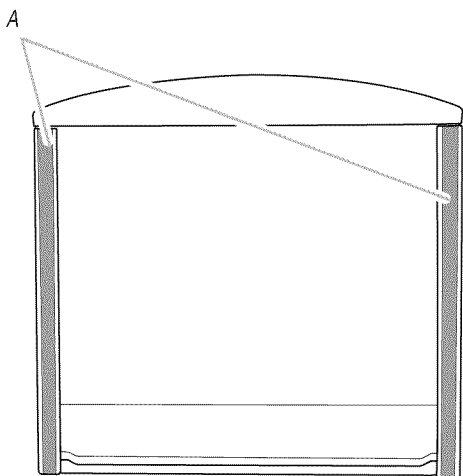
4. Ôter les pieds de la sécheuse.

5. Placer un matériau de protection sur le sol - feuille de carton ou couverture. Placer l'étagère escamotable à l'envers sur le matériau de protection. Voir l'illustration.



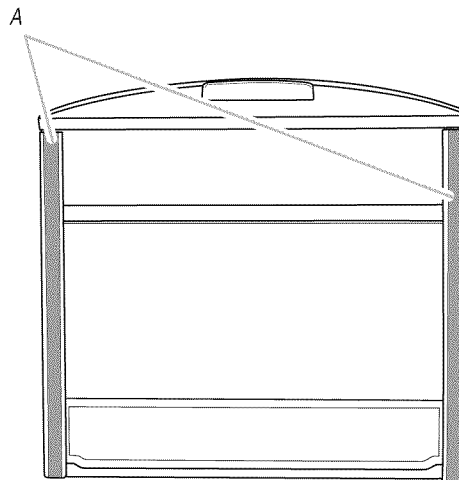
A. Côté supérieur
B. Cadres de l'étagère
C. Côté inférieur

6. Ôter la bande adhésive de protection opaque de l'un des supports longs en caoutchouc. Poser le côté adhésif des supports le long des cadres de l'étagère de sorte qu'il recouvre toute la longueur des surfaces du cadre de l'étagère et qu'il ne colle pas au-delà des côtés ou des bords avant du cadre.



A. Supports en mousse installés sur le côté supérieur

- Redresser l'étagère escamotable vers l'arrière pour qu'elle soit verticale sur le sol.
- Répéter l'étape 5 pour le côté inférieur de l'étagère escamotable - voir l'illustration.



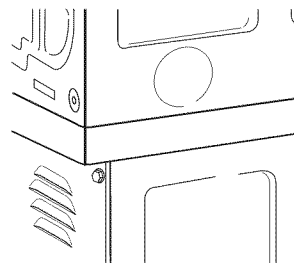
A. Supports en mousse installés sur le côté inférieur

9. Soulever l'étagère escamotable pour la placer à l'envers sur la laveuse - l'arrière du cadre de l'étagère escamotable doit déborder d'environ 1" (2,5 cm) à l'arrière de la laveuse.

REMARQUE : L'avant de l'étagère escamotable et de la sécheuse sera positionné à 1" (2,5 cm) en retrait par rapport à l'avant de la laveuse - ceci facilitera l'accès au distributeur d'agent de blanchiment de la laveuse.

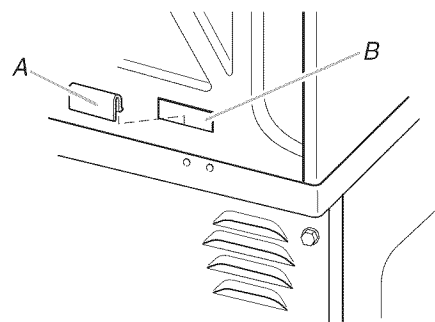
10. Faire intervenir deux personnes ou plus - relever la sécheuse. Approcher la sécheuse à l'avant de la laveuse.

11. Faire intervenir deux personnes ou plus - soulever la sécheuse pour la placer sur le sommet de l'étagère escamotable. L'arrière de la sécheuse et du cadre de l'étagère escamotable doivent déborder d'environ 1" (2,5 cm) à l'arrière de la laveuse.



12. Trouver dans le sachet de pièces les garnitures de plastique, brides d'arrimage et vis à tête bombée.

13. Utiliser une garniture de plastique - le côté plat doit être orienté vers l'extérieur - enfoncer la garniture de plastique sur la rive inférieure d'une ouverture à l'arrière de la sécheuse. Faire de même avec la seconde garniture, sur l'autre côté.



A. Garniture de plastique
B. Fente à l'arrière de la sécheuse

⚠ AVERTISSEMENT



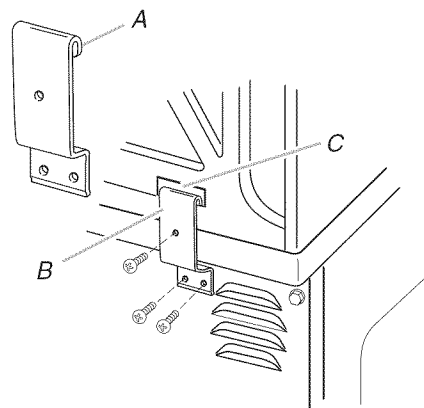
Risque de basculement

Ne pas utiliser la surface de travail de glissement vers l'extérieur tant que l'installation n'est pas terminée.

Installer les deux brides d'arrimage avec crochets entre la laveuse et la sécheuse.

Le non-respect de ces instructions peut causer un décès ou une blessure grave.

14. Engager l'extrémité avec crochet de la bride d'arrimage sur la garniture de plastique. Faire pivoter la bride pour l'amener au contact du panneau arrière de la laveuse. Ajuster la position de la sécheuse ou de l'étagère escamotable vers l'avant ou vers l'arrière selon le besoin, et fixer la bride sur la laveuse avec 2 vis de $\frac{5}{8}$ " (16 mm) (tête bombée). Fixer la bride sur l'étagère escamotable avec une vis de $\frac{3}{8}$ " (9,5 mm) (tête bombée). Resserrer les vis. Répéter l'opération pour l'autre côté.

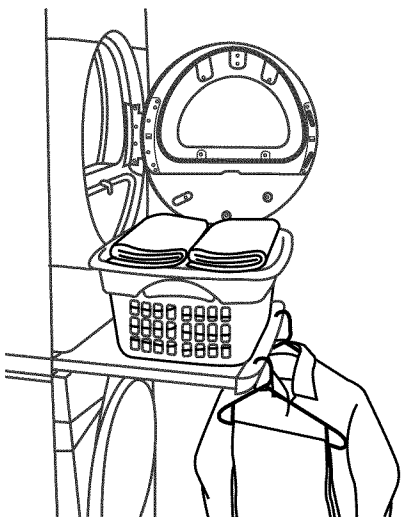


A. Extrémité avec crochet
B. Bride d'arrimage
C. Fente à l'arrière de la sécheuse

15. Pour achever l'installation, consulter les instructions d'installation fournies avec la laveuse et la sécheuse. S'il s'agit d'une nouvelle laveuse, consulter les Instructions d'installation pour l'extraction des vis utilisées pour l'expédition.

UTILISATION DE L'ÉTAGÈRE ESCAMOTABLE

L'étagère escamotable offre plusieurs modes d'utilisation.



- Utilisation comme plan de travail temporaire pour prétraitement, tri et pliage du linge, ou pour y poser un panier de linge.
- La poignée de l'étagère escamotable comporte une lèvre en relief qui permet l'accrochage de portemanteaux. On peut ainsi accrocher 10 à 12 portemanteaux sur l'étagère escamotable.

ENTRETIEN DE L'ÉTAGÈRE ESCAMOTABLE

Nettoyage des surfaces intérieures et extérieures :

- Utiliser une éponge ou un chiffon doux humide pour essuyer les renversements. Essuyer occasionnellement l'étagère pour lui conserver son aspect de produit neuf.
- Utiliser un savon doux et de l'eau; ne pas utiliser de produits abrasifs.

GARANTIE DES APPAREILS DE BUANDERIE

Avant de faire un appel de service

Si cet appareil de buanderie a été acheté chez Sears, la "Garantie des appareils de buanderie Kenmore®" s'applique (voir les dispositions qui suivent).

Si cet appareil de buanderie a été acheté ailleurs, la "Garantie des appareils de buanderie Whirlpool Corporation" s'applique (voir les dispositions qui suivent). Veuillez avoir votre reçu de vente à disposition lorsque vous appelez Whirlpool Corporation pour un service dans le cadre de la "Garantie des appareils de buanderie Whirlpool Corporation".

GARANTIE DES APPAREILS DE BUANDERIE KENMORE®

GARANTIE LIMITÉE DE UN AN

Lorsqu'il est installé, utilisé et entretenu conformément à toutes les instructions fournies avec le produit, si cet appareil de buanderie fait défaut par suite d'un vice de matériau ou de fabrication au cours de l'année qui suit la date d'achat, composer le 1-800-4-MY-HOME pour obtenir une réparation gratuite. Si l'appareil de buanderie fonctionne à toute autre fin que l'utilisation familiale privée, la présente garantie ne s'appliquera que pendant 90 jours à partir de la date d'achat.

LA PRÉSENTE GARANTIE COUVRE UNIQUEMENT LES VICES DE MATÉRIAUX ET DE FABRICATION. SEARS NE PRENDRA PAS EN CHARGE :

1. Les pièces courantes qui peuvent s'user suite à une utilisation normale, notamment les filtres, courroies, ampoules et sacs.
2. L'intervention d'un technicien pour montrer à l'utilisateur comment installer, utiliser et entretenir correctement le produit.
3. L'intervention d'un technicien pour nettoyer ou entretenir ce produit.
4. L'endommagement ou les défauts du produit si celui-ci n'est pas installé, utilisé ou entretenu conformément à toutes les instructions fournies avec le produit.
5. L'endommagement ou les défauts du produit résultant d'accident, usage impropre ou abusif ou utilisation autre que pour laquelle il est destiné.
6. L'endommagement ou les défauts du produit causés par l'utilisation de détergents, agents de nettoyage, produits chimiques ou ustensiles autres que ceux recommandés dans toutes les instructions fournies avec le produit.
7. L'endommagement ou les défauts des pièces ou systèmes résultant d'une modification non autorisée faite au produit.

CLAUSE D'EXONÉRATION DE RESPONSABILITÉ AU TITRE DES GARANTIES IMPLICITES; LIMITATION DES RECOURS

Le seul et exclusif recours du client dans le cadre de la présente garantie limitée consiste en la réparation prévue ci-dessus. Les garanties implicites, y compris les garanties applicables de qualité marchande et d'aptitude à un usage particulier, sont limitées à un an ou à la plus courte période autorisée par la loi. Sears n'assume aucune responsabilité pour les dommages fortuits ou indirects. Certains États ou certaines provinces ne permettent pas l'exclusion ou la limitation des dommages fortuits ou indirects, ou la limitation de la durée des garanties implicites de qualité marchande ou d'aptitude à un usage particulier, de sorte que cette exclusion ou limitation peut ne pas être applicable dans votre cas.

Cette garantie s'applique seulement lorsque cet appareil de buanderie est utilisé aux États-Unis et au Canada.

Cette garantie vous confère des droits juridiques spécifiques et vous pouvez également jouir d'autres droits qui peuvent varier d'un État à l'autre.

**Sears, Roebuck and Co.
Hoffman Estates, IL 60179**

**Sears Canada Inc.
Toronto, Ontario, Canada M5B 2B8**

ENREGISTREMENT DU PRODUIT

Dans l'espace ci-dessous, inscrire les numéros de modèle et de série complets et la date d'achat. Vous trouverez ces renseignements sur la plaque signalétique située sur le produit.

Gardez ces renseignements à disposition pour obtenir plus rapidement assistance ou service lorsque vous communiquez avec Sears au sujet de votre appareil de buanderie.

Numéro de modèle _____

Numéro de série _____

Date d'achat _____

Conservez ces instructions et votre reçu de vente pour référence ultérieure.

GARANTIE DES APPAREILS DE BUANDERIE WHIRLPOOL CORPORATION

GARANTIE LIMITÉE DE UN AN

Pendant un an à compter de la date d'achat, lorsque ce produit est utilisé et entretenu conformément aux instructions jointes à ou fournies avec le produit, Whirlpool ou Whirlpool Canada (ci-après désignées "Whirlpool") paiera pour les pièces de rechange spécifiées par l'usine et la main-d'œuvre pour corriger les vices de matériaux ou de fabrication. Le service doit être fourni par une compagnie de service désignée par Whirlpool.

WHIRLPOOL NE PRENDRA PAS EN CHARGE

1. Les visites de service pour rectifier l'installation du produit, montrer à l'utilisateur comment utiliser le produit, remplacer ou réparer des fusibles ou rectifier le câblage ou la plomberie du domicile.
 2. Les réparations lorsque le produit est utilisé à des fins autres que l'usage unifamilial normal.
 3. Les dommages imputables à : accident, modification, usage impropre ou abusif, incendie, inondation, actes de Dieu, installation fautive ou installation non conforme aux codes d'électricité ou de plomberie, ou l'utilisation de produits non approuvés par Whirlpool.
 4. Le coût des pièces de rechange et de la main-d'œuvre pour les appareils utilisés hors des États-Unis ou du Canada.
 5. Le ramassage et la livraison. Ce produit est conçu pour être réparé à domicile.
 6. Les réparations aux pièces ou systèmes résultant d'une modification non autorisée faite au produit.
 7. Les frais de voyage et de transport pour le service d'un produit dans les régions éloignées.
 8. La dépose et la réinstallation de votre produit si celui-ci est installé dans un endroit inaccessible ou n'est pas installé conformément aux instructions d'installation fournies.
-

CLAUSE D'EXONÉRATION DE RESPONSABILITÉ AU TITRE DES GARANTIES IMPLICITES; LIMITATION DES RECOURS

LE SEUL ET EXCLUSIF RECOURS DU CLIENT DANS LE CADRE DE LA PRÉSENTE GARANTIE LIMITÉE CONSISTE EN LA RÉPARATION PRÉVUE CI-DESSUS. LES GARANTIES IMPLICITES, Y COMPRIS LES GARANTIES APPLICABLES DE QUALITÉ MARCHANDE ET D'APTITUDE À UN USAGE PARTICULIER, SONT LIMITÉES À UN AN OU À LA PLUS COURTE PÉRIODE AUTORISÉE PAR LA LOI. WHIRLPOOL N'ASSUME AUCUNE RESPONSABILITÉ POUR LES DOMMAGES FORTUITS OU INDIRECTS. CERTAINES JURIDICTIONS NE PERMETTENT PAS L'EXCLUSION OU LA LIMITATION DES DOMMAGES FORTUITS OU INDIRECTS, OU LES LIMITATIONS DE LA DURÉE DES GARANTIES IMPLICITES DE QUALITÉ MARCHANDE OU D'APTITUDE À UN USAGE PARTICULIER, DE SORTE QUE CES EXCLUSIONS OU LIMITATIONS PEUVENT NE PAS S'APPLIQUER DANS VOTRE CAS. CETTE GARANTIE VOUS CONFÈRE DES DROITS JURIDIQUES SPÉCIFIQUES ET VOUS POUVEZ ÉGALEMENT JOUIR D'AUTRES DROITS QUI PEUVENT VARIER D'UNE JURIDICTION À UNE AUTRE.

À l'extérieur du Canada et des 50 États des États-Unis, cette garantie ne s'applique pas. Contacter votre marchand Whirlpool autorisé pour déterminer si une autre garantie s'applique. Pour le service aux États-Unis, composer le **1-800-422-1230**. Au Canada, composer le **1-800-807-6777**.

6/06

Conservez ce manuel et votre reçu de vente pour référence ultérieure. Pour l'entretien sous garantie, vous devez présenter un document prouvant la date d'achat ou d'installation.

Inscrivez les renseignements suivants au sujet de votre produit pour mieux vous aider à obtenir assistance ou réparation en cas de besoin. Vous devrez connaître le numéro de modèle et le numéro de série au complet. Vous trouverez ces renseignements sur la plaque signalétique située sur le produit.

Nom du marchand _____

Adresse _____

Numéro de téléphone _____

Numéro de modèle _____

Numéro de série _____

Date d'achat _____

W10103322A

© 2007
All rights reserved.
Todos los derechos reservados.
Tous droits réservés.

® Registered Trademark / ™ Trademark / ℠ Service Mark of Sears Brands, LLC
WHIRLPOOL, DUET and DUET HT are trademarks of Whirlpool, U.S.A.
®Registered Trademark/™Trademark of Maytag Corporation or its related companies
®Marque déposée/™Marque de commerce/℠Marque de service de Sears Brands, LLC
WHIRLPOOL, DUET et DUET HT sont des marques de commerce de Whirlpool, U.S.A.
®Marque déposée/™Marque de commerce de Maytag Corporation ou de ses compagnies affiliées.
® Marca registrada/™Marca de comercio/℠Marca de servicio de Sears Brands, LLC
WHIRLPOOL, DUET y DUET HTson marcas de comercio de Whirlpool, U.S.A.
®Marca registrada/™Marca de comercio de Maytag Corporation o sus compañías asociadas

10/07
Printed in China
Impreso en China
Imprimé en Chine