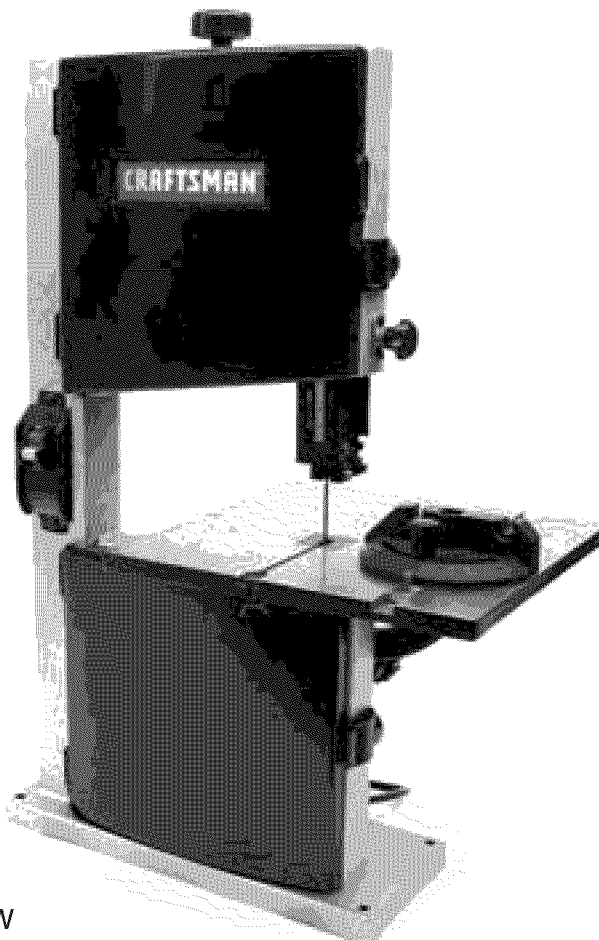


Operator's Manual



9" BENCH TOP BAND SAW

Model No.
351.214190



CAUTION: Read and follow all Safety Rules and Operating Instructions before First Use of this Product.

Sears, Roebuck and Co., Hoffman Estates, IL 60179 U.S.A.

www.sears.com/craftsman

25126.03 Draft (01/18/08)

SAFETY

ASSEMBLY

OPERATION

MAINTENANCE

PARTS LIST

ESPAÑOL

TABLE OF CONTENTS

Warranty	2
Safety Rules	2-3
Unpacking	3
Assembly	3
Installation	3-4
Operation	4-8
Maintenance	8
Troubleshooting	9
Parts Illustrations and Lists	10-13
Español	14-23

WARRANTY

ONE-YEAR FULL WARRANTY ON CRAFTSMAN PROFESSIONAL TOOL

If this Craftsman tool fails due to a defect in material or workmanship within one year from the date of purchase, call 1-800-4-MY-HOME® TO ARRANGE FOR FREE REPAIR (or replacement if repair proves impossible). This warranty does not include expendable parts, such as lamps, batteries, bits or blades.

If this tool is ever used for commercial or rental purposes, this warranty will apply for only 90 days from the date of purchase.

This warranty gives you specific legal rights and you may also have other rights which vary from state to state.

Sears, Roebuck and Co., Hoffman Estates, IL 60179

SAFETY RULES

PROPOSITION 65 WARNING: Some dust created by power sanding, sawing, grinding, drilling and other construction activities contains chemicals known to the state of California to cause cancer, birth defects or other reproductive harm.

Some examples of these chemicals are:

- Lead from lead-based paints.
- Crystalline silica from bricks and cement and other masonry products.
- Arsenic and chromium from chemically-treated lumber.

Your risk from these exposures vary, depending on how often you do this type of work. To reduce your exposure to these chemicals: work in a well ventilated area and work with approved safety equipment. Always wear **OSHA/NIOSH** approved, properly fitting face mask or respirator when using such tools.

WARNING: For your own safety, read all of the instructions and precautions before operating tool.

CAUTION: Always follow proper operating procedures as defined in this manual — even if you are familiar with use of this or similar tools. Remember that being careless for even a fraction of a second can result in severe personal injury.

BE PREPARED FOR JOB

- Wear proper apparel. Do not wear loose clothing, gloves, neckties, rings, bracelets or other jewelry which may get caught in moving parts of machine.
- Wear protective hair covering to contain long hair.
- Wear safety shoes with non-slip soles.
- Wear safety glasses complying with United States ANSI Z87.1. Everyday glasses have only impact resistant lenses. They are **NOT** safety glasses.
- Wear face mask or dust mask if operation is dusty.
- Be alert and think clearly. Never operate power tools when tired, intoxicated or when taking medications that cause drowsiness.

PREPARE WORK AREA FOR JOB

- Keep work area clean. Cluttered work areas invite accidents.
- Do not use power tools in dangerous environments. Do not use power tools in damp or wet locations. Do not expose power tools to rain.
- Work area should be properly lighted.
- Proper electrical receptacle should be available for tool. Three-prong plug should be plugged directly into properly grounded, three-prong receptacle.
- Extension cords should have a grounding prong and the three wires of the extension cord should be of the correct gauge.
- Keep visitors at a safe distance from work area.
- Keep children out of workplace. Make workshop childproof. Use padlocks, master switches or remove switch keys to prevent any unintentional use of power tools.

TOOL SHOULD BE MAINTAINED

- Always unplug tool prior to inspection.
- Consult manual for specific maintaining and adjusting procedures.
- Keep tool lubricated and clean for safest operation.
- Remove adjusting tools. Form habit of checking to see that adjusting tools are removed before switching machine on.
- Keep all parts in working order. Check to determine that the guard or other parts will operate properly and perform their intended function.
- Check for damaged parts. Check for alignment of moving parts, binding, breakage, mounting and any other condition that may affect a tool's operation.
- A guard or other part that is damaged should be properly repaired or replaced. Do not perform makeshift repairs. (Use parts list provided to order replacement parts.)

KNOW HOW TO USE TOOL

- Use right tool for job. Do not force tool or attachment to do a job for which it was not designed.
- Disconnect tool when changing blade.

- Avoid accidental start-up. Make sure that the tool is in the OFF position before plugging in.
- Do not force tool. It will work most efficiently at the rate for which it was designed.
- Keep hands away from moving parts and cutting surfaces.
- Never leave tool running unattended. Turn the power off and do not leave tool until it comes to a complete stop.
- Do not overreach. Keep proper footing and balance.
- Never stand on tool. Serious injury could occur if tool is tipped or if blade is unintentionally contacted.
- Know your tool. Learn the tool's operation, application and specific limitations.
- Use recommended accessories (refer to page 11). Use of improper accessories increases the risk of injury to persons.
- Handle workpiece correctly. Protect hands from possible injury.
- Turn machine off if it jams. Blade jams when it digs too deeply into workpiece. (Motor force keeps it stuck in the work.) Do not remove jammed or cut off pieces until the saw is turned off, unplugged and the blade has stopped.

WARNING: The operation of any power tool can result in foreign objects being thrown into the eyes, which can result in severe eye damage. Always wear safety goggles complying with United States ANSI Z87.1 (shown on package) before commencing power tool operation. Safety goggles are available through your Sears catalog.

UNPACKING

Check for shipping damage. If damage has occurred, a claim must be filed with carrier. Check for completeness. Immediately report missing parts to dealer.

The band saw comes assembled as one unit. Additional parts which need to be fastened to the saw should be located and accounted for before assembling:

- A Miter Gauge Assembly
- B Table Assembly
- C Locking Handle with Washer
- D Table Locking Insert Assembly

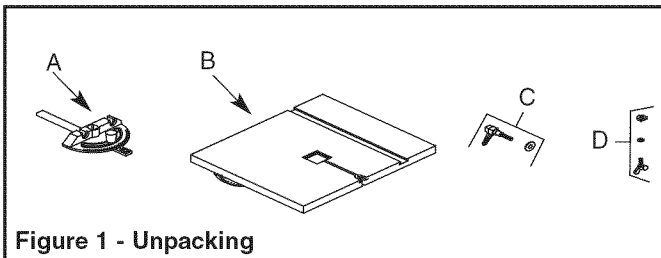


Figure 1 - Unpacking

IMPORTANT: Table is coated with a protectant. To ensure proper fit and operation, remove coating. Coating is easily removed with mild solvents, such as mineral spirits, and a soft cloth. Avoid getting solution on paint or any of the rubber or plastic parts. Solvents

may deteriorate these finishes. Use soap and water on paint, plastic or rubber components. After cleaning, cover all exposed metal surfaces with a light coating of oil. Paste wax is recommended for table top.

WARNING: Never use highly volatile solvents. Non flammable solvents are recommended to avoid possible fire hazard.

ASSEMBLY

CAUTION: Do not attempt assembly if parts are missing. Use operator's manual to order replacement parts.

MOUNT BAND SAW TO WORK SURFACE

- Band saw is designed to be portable so it can be moved to job site, but should be mounted to stable, level bench or table. See Recommended Accessories, page 11.
- Base of band saw has four mounting holes.
- If predrilled holes do not exist on work surface, drill four holes.
- Securely mount band saw to work surface by bolting (hardware not supplied) it through the holes.

NOTE: The blade must be tensioned and tracked, and the blade guides must be adjusted before operation of the saw. Refer to "Tracking Blade" and "Blade Guides" in the OPERATION section, page 6.

INSTALL TABLE

Refer to Figure 10.

- Remove knob assembly (Key Nos. 16, 17 and 18) from saw frame.
- Position table assembly on saw frame. Re-install knob assembly.
- Secure table in position with locking handle assembly (Key Nos. 14 and 15).
- Using a combination square, set table perpendicular to blade. Adjust table stop (Key Nos. 12 and 13) if necessary.
- Set pointer at 0° (Key No. 21).
- Install table locking insert assembly (Key Nos. 4, 5 and 6).

INSTALLATION

Refer to Figures 2 and 3.

MOTOR

The 120 Volt AC motor has the following specifications:

Horsepower (Continuous Duty)	1/3
Voltage	120
Amps.	2.5
Hertz	60
Phase	Single
RPM	1725

POWER SOURCE

The motor is designed for operation on the voltage and frequency specified. Normal loads will be handled safely on voltages not more than 10% above or below the specified voltage.

Running the unit on voltages which are not within the range may cause overheating and motor burn-out. Heavy loads require that the voltage at motor terminals be no less than the voltage specified. Power supply to the motor is controlled by a double pole locking rocker switch. Remove the key to prevent unauthorized use.

GROUNDING INSTRUCTIONS

WARNING: Improper connection of equipment grounding conductor can result in the risk of electrical shock. Equipment should be grounded while in use to protect operator from electrical shock.

Check with a qualified electrician if grounding instructions are not understood or if in doubt as to whether the tool is properly grounded.

This tool is equipped with an approved 3 conductor cord rated at 150V and a three prong grounding type plug for your protection against shock hazards.

Grounding plug should be plugged directly into a properly installed and grounded 3-prong grounding-type receptacle, as shown (Figure 2).

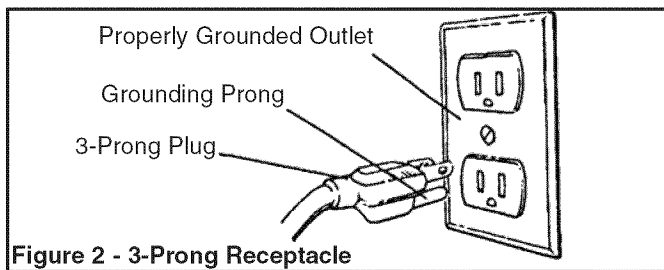


Figure 2 - 3-Prong Receptacle

Do not remove or alter grounding prong in any manner. In the event of a malfunction or breakdown, grounding provides a path of least resistance for electrical shock.

WARNING: Do not permit fingers to touch the terminals of plug when installing or removing from outlet.

Plug must be plugged into matching outlet that is properly installed and grounded in accordance with all local codes and ordinances. Do not modify plug provided. If it will not fit in outlet, have proper outlet installed by a qualified electrician.

Inspect tool cords periodically, and if damaged, have them repaired by an authorized service facility.

Green (or green and yellow) conductor in cord is the grounding wire. If repair or replacement of the electric cord or plug is necessary, do not connect the green (or green and yellow) wire to a live terminal.

Where a 2-prong wall receptacle is encountered, it must be replaced with a properly grounded 3-prong receptacle installed in accordance with National Electric Code and local codes and ordinances.

WARNING: This work should be performed by a qualified electrician.

A temporary 3-prong to 2-prong grounding adapter (see Figure 3) is available for connecting plugs to a two pole outlet if it is properly grounded.

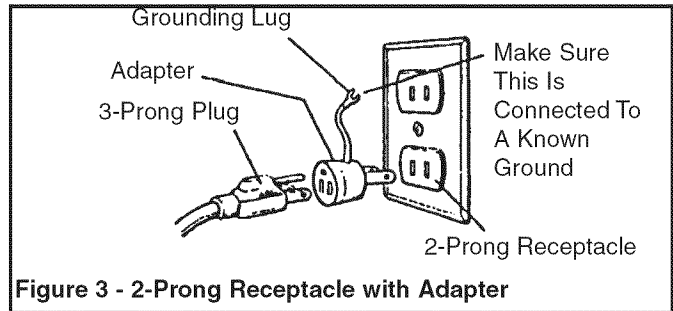


Figure 3 - 2-Prong Receptacle with Adapter

Do not use a 3-prong to 2-prong grounding adapter unless permitted by local and national codes and ordinances. (A 3-prong to 2-prong grounding adapter is not permitted in Canada.) Where permitted, the rigid green tab or terminal on the side of the adapter must be securely connected to a permanent electrical ground such as a properly grounded water pipe, a properly grounded outlet box or a properly grounded wire system.

Many cover plate screws, water pipes and outlet boxes are not properly grounded. To ensure proper ground, grounding means must be tested by a qualified electrician.

EXTENSION CORDS

- The use of any extension cord will cause some drop in voltage and loss of power.
- Wires of the extension cord must be of sufficient size to carry the current and maintain adequate voltage.
- Use the table to determine the minimum wire size (A.W.G.) extension cord.
- Use only 3-wire extension cords having 3-prong grounding type plugs and 3-pole receptacles which accept the tool plug.
- If the extension cord is worn, cut or damaged in any way, replace immediately.

EXTENSION CORD LENGTH

Wire Size	A.W.G.
Up to 50 ft.	16

NOTE: Using extension cords over 50 ft. long is not recommended.

OPERATION

Refer to Figures 4 - 7, pages 5 and 6.

The Craftsman 9" Bench Top Band Saw features welded steel frame construction and a solid cast iron table surface to insure durability. It is designed for cutting hard and soft woods, as well as nonferrous metals and plastics. The saw is equipped with a miter gauge for performing many different operations. A convenient quick tensioning and comprehensive tracking mechanism makes blade changing quick and easy. Saw also features a blade tracking window and dust collection port.

SPECIFICATIONS

Depth of throat at 90°	9"
Maximum depth of cut at 90°	3 ⁵ / ₈ "
Maximum depth of cut at 45°	2"
Table size	11 ³ / ₄ x 11 ³ / ₄ "
Table tilt	0° to 45°
Wheel diameter	9.4"
Blade length	62"
Blade width	1/8" - 3/8"
Blade speed	2460 FPM
Overall dimensions	20 x 13 x 29"
Shipping weight	49 lbs
Dust collection port	2.086"

CAUTION: Always observe the following safety precautions:

- Make sure that blade guides and thrust bearings are positioned and adjusted correctly to prevent side-ways and rearward movement of the blade. Adjust upper guide to just clear workpiece.
- Check to make sure blade is tensioned and tracking properly. Do not over tension the blade in order to prevent premature blade wear and breakage. Avoid under tensioning to eliminate back and forth, side to side blade movement as it cuts.
- Use proper blade for the cutting operation.
- After turning saw on, allow blade to come to full speed before attempting any cutting operation.
- Support workpiece firmly against table and use a smooth steady feed to guide work through the cut. Use push sticks or push blocks when required.
- Keep hands away and out of line with moving parts.
- Always wear eye protection.
- Do not remove jammed cutoff pieces until blade has stopped.

ON/OFF SWITCH

Refer to Figure 4.

The ON/OFF switch is located on the left front of the saw column. To turn saw ON, pull the switch to the up position. To turn saw OFF, push the switch to the down position.

The saw can be locked from unauthorized use by locking the switch. To lock the switch:

- Turn the switch to OFF position and disconnect saw from power source.
- Pull the key out. The switch cannot be turned on with the key removed.

NOTE: Should the key be removed from the switch at the ON position, the switch can be turned off but cannot be turned on again.

- To replace key, slide key into the slot on switch until it snaps.

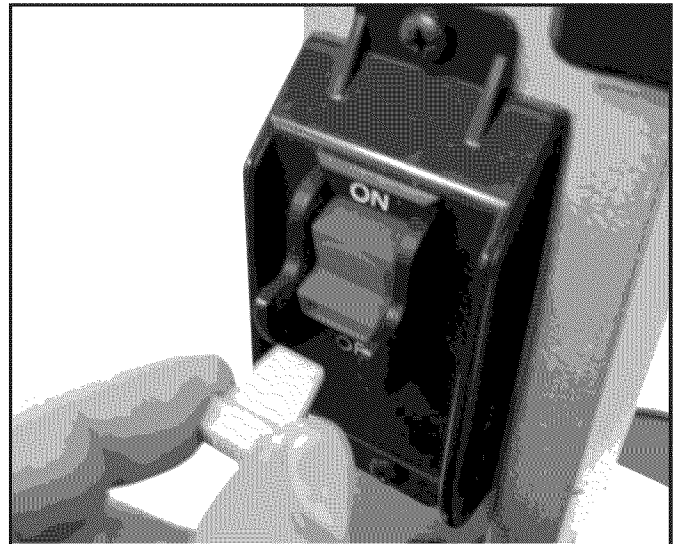


Figure 4- Locking Switch in OFF Position

REMOVING BLADE

WARNING: Disconnect band saw from power source when changing or adjusting blades. Wear leather gloves when handling band saw blades. Never wear gloves when operating saw.

- Turn blade tension lever on the back of the tool counterclockwise all the way until it locks in position to release blade tension (see Figure 5).

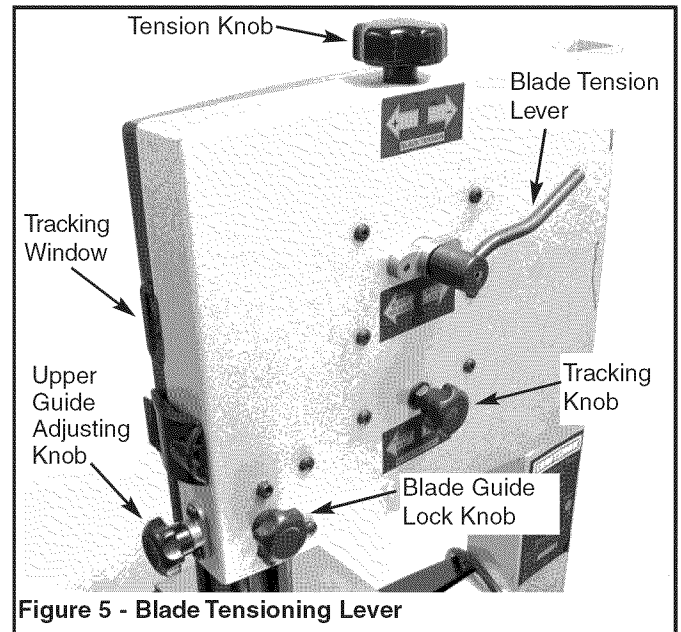


Figure 5 - Blade Tensioning Lever

- Release two latches on the side of the tool and open upper and lower doors.

NOTE: When opening doors, make sure latches are completely free from tabs on frame.

- Lower the upper blade guide completely and unsnap guide panel to access the blade (see Figure 6).

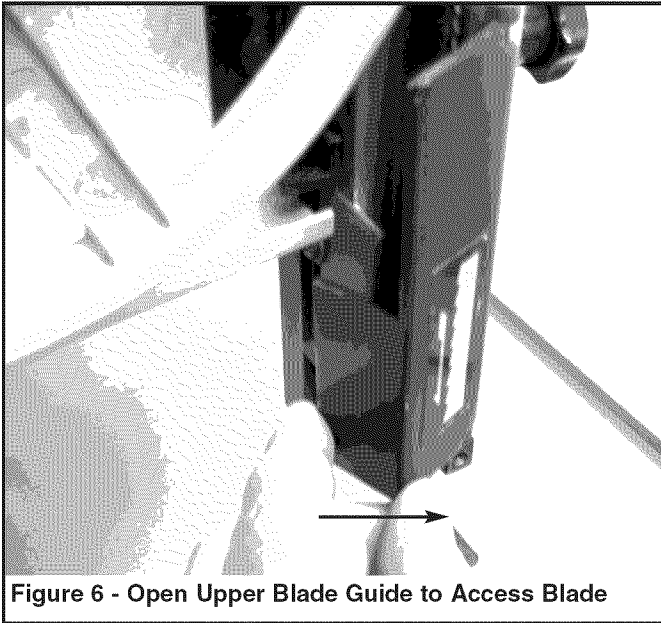


Figure 6 - Open Upper Blade Guide to Access Blade

- Remove table locking insert located in the front of the table slot, take out the released blade and replace with another blade.

INSTALLING BLADE

- Although most of the adjustments are not changed when blade is removed, every adjustment should be checked prior to using a newly installed blade.
- Make sure blade teeth are pointing down towards table. Turn blade inside out if necessary.
- Slip new blade into table slot and over the upper and lower blade wheels. Slide blade in between blade guards.
- Tension blade by turning blade tensioning lever clockwise, as far as it will go (see Figure 5). This is a spring loaded, tensioning mechanism and it will automatically apply required tension to the blade.
- Use the tension knob to make fine adjustments to blade tension
- Close the doors and fasten latches.

NOTE: When closing doors, make sure that the edges of the doors and frame are firmly fitted together before attempting to secure door. This is necessary for proper operation of dust collection system. The latches will not pull the doors and frame together.

- Install table insert.
- Track blade as described in the following sections.

TRACKING BLADE

Refer to Figures 5 and 11.

WARNING: Be very careful; improperly tracked blade may spring out from wheels causing serious injury. Do not perform tracking adjustment while band saw is running.

- Disconnect band saw from power source.
- To check the blade tracking, rotate drive wheel by hand in clockwise direction. View blade through tracking window.
- Proper tracking is achieved when drive and idler wheels are aligned. Tracking knob (Key No. 11) on the back of the tool frame is used to tilt upper wheel and align blade wheels.
- If blade rides away from cabinet, turn knob clockwise. If blade rides toward cabinet, turn knob counterclockwise.
- When blade is tracking properly, secure position by tightening nut (Key No. 13).

BLADE GUIDES

NOTE: Adjust blade guides only after blade has been properly tensioned and tracked.

- Blade guides support blade at sides and rear of blade, and prevent twisting or deflection.
- Blade guides should not touch blade when no work-piece is in contact with blade. Adjust guides as described in following section.

UPPER BLADE GUIDES

- Upper blade guides employ guide pins for side support and a ball bearing for rear support.
- Loosen screws and adjust guide pins to sides of the blade (see Figure 7). Use a feeler gauge to check that guide pins are 0.002" away from blade.

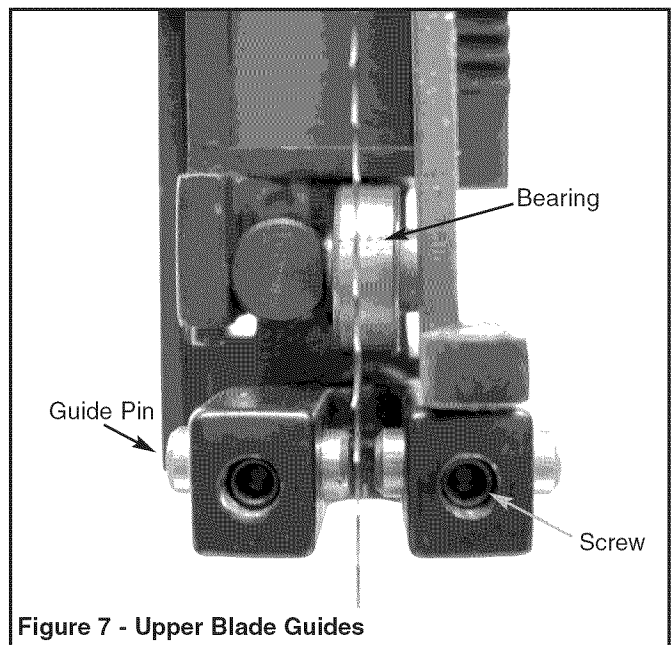
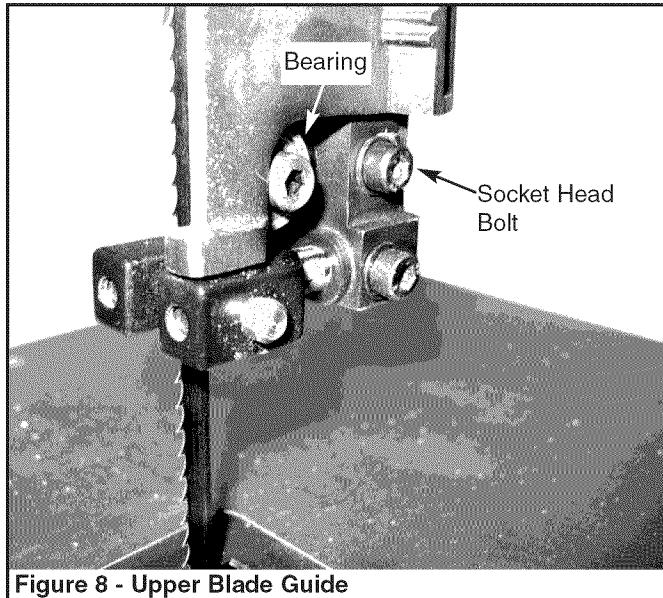


Figure 7 - Upper Blade Guides

- Lock adjustment by tightening screws.

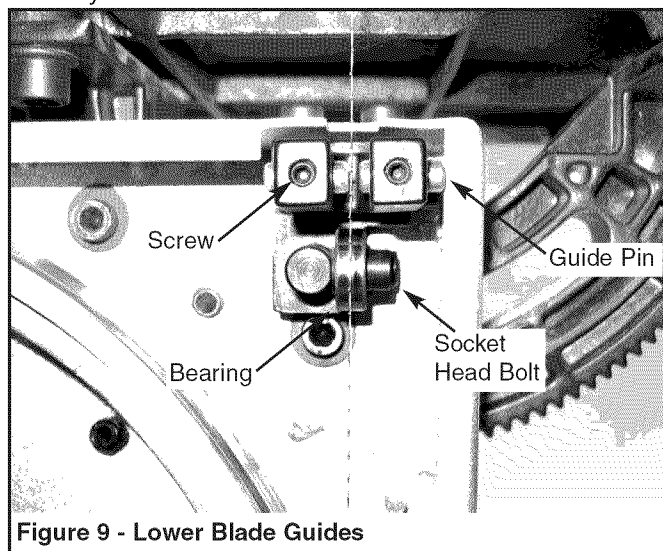
- Adjust ball bearing at rear of blade by loosening socket head bolt and repositioning shaft (see Figure 8).



- Figure 8 - Upper Blade Guide**
- Position ball bearing 0.002" away from back of blade.
 - Secure position of bearing by tightening socket head bolt.
 - Adjust the height of upper guide to clear the workpiece by 1/4". Loosen upper guide knob (Figure 10, Key No. 25) and adjust height of upper guide until it clears workpiece by 1/4". Tighten upper guide knob.

LOWER BLADE GUIDES

- Lower blade guides employ guide pins for side support and bearing for rear support.
- Loosen screws (see Figure 9) and move guide pins away from blade sides.



- Figure 9 - Lower Blade Guides**
- Loosen socket head bolts (Figure 10, Key No. 19) and adjust lower guide bracket position so that rear of blade is positioned 0.002" away from bearing.
 - Tighten socket head bolts.
 - Adjust guide pins (see Figure 9) to sides of the blade. Use a feeler gauge to check that guide pins are 0.002" away from blade.

- Lock adjustment by tightening screws.

BLADE SELECTION

- Blades vary depending on type of material, size of workpiece and type of cut that is being performed.
- Characteristics which make blades different are width, thickness and pitch.

BLADE WIDTH

- Width of blade describes distance from tip of a tooth to back of blade.
- Width of blade affects rigidity of blade. A wider blade wanders less and produces a straighter cut.
- Width of blade also limits the smallest radius which can be cut. A 1/4" wide blade can cut about a 1/2" radius.

BLADE THICKNESS

- Blade thickness describes the distance between sides of blade. A thicker blade has more rigidity and stronger teeth.
- A narrow thick blade is used to cut curves while a wide thin blade is used to make long, straight cuts.

BLADE PITCH

- Pitch describes number of teeth per inch or tooth size. A blade with more teeth per inch produces a smoother cut.
- The type of material being cut determines number of teeth which should be in contact with work.
- For soft materials, the proper blade has between 6 to 8 teeth per inch.
- When cutting hard materials, where shocking is more detrimental, use a blade with 8 to 12 teeth per inch.
- There should always be at least three teeth in contact with cut to avoid shocking blade.
- Blade shocking occurs when pitch is too large and blade tooth encounters too much material. This can strip teeth from blade.
- Blade manufacturers are prepared to supply information about blades for specific applications.

TYPE OF CUT

- Contour cutting is done by guiding workpiece free-handed to produce curved shapes.
- Beveled cutting is done by tilting saw table and using proper work guide method.
- Regardless of which work guiding method is used, a workpiece which overhangs table by more than 5" needs proper support.

CONTOUR SAWING

- When contour sawing, use both hands to keep workpiece flat against table and guided along desired path.
- Avoid positioning hands in line with blade. If hands slip, they could contact blade.
- Try to stand to front of the saw and use hands over

the portion of table which is to right of blade and before cut.

- Cut small corners by sawing around them. Saw to remove scrap until desired shape is obtained.

BEVEL CUTTING

Refer to Figure 10.

- Perform bevel cutting by tilting table to desired degree.
- Unlock table by loosening locking handle located on the backside of the unit (Key No. 14).
- Tilt table to desired position by rotating knob (Key No. 18).
- Lock table in position by tightening locking handle.

MITER GAUGE

- Use miter gauge for securing and holding workpiece at desired angle to produce angled cuts. Use scale to adjust gauge to desired angle.

WARNING: Never use miter gauge and rip fence at the same time. The blade might bind in the workpiece. Operator could be injured and/or workpiece could be damaged.

BLADE CLEANING BRUSH

Refer to Figure 10.

- Make sure that brush (Key No. 57) is in contact with blade to properly remove foreign particles from drive wheel.

MAINTENANCE

WARNING: Make certain that unit is disconnected from power source before attempting to service or remove any component.

CLEANING

- Keep machine and workshop clean. Do not allow sawdust to accumulate on band saw.
- Keep wheels clean. Debris on wheels will cause poor tracking and blade slippage.
- Keep mechanisms and threaded or sliding surfaces clean and free of foreign particles.
- Operate band saw with a dust collector to minimize clean up.

LUBRICATION

- The shielded ball bearings are permanently lubricated and require no further lubrication.
- Small amounts of machine oil can be applied to belt tension mechanisms and threaded or sliding surfaces.
- Occasionally apply a coat of paste wax to table top to keep it slick and corrosion free.

KEEP BAND SAW IN REPAIR

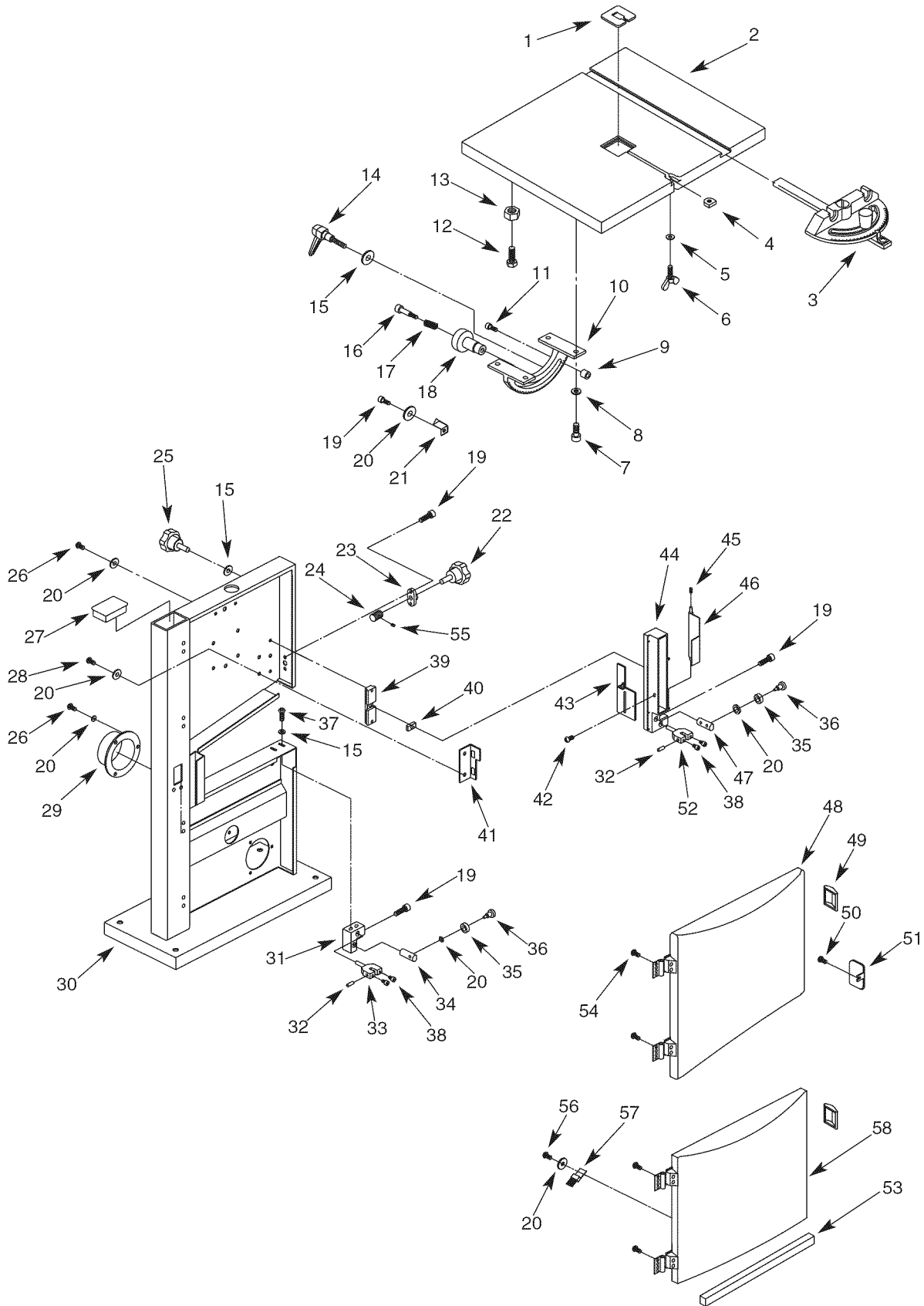
- If power cord is worn or cut in any way, have it replaced.
- Replace any damaged or missing part.
- Use parts list to order parts.

TROUBLESHOOTING

SYMPTOM	POSSIBLE CAUSE(S)	CORRECTIVE ACTION
Excessive blade breakage	<ol style="list-style-type: none"> 1. Material not secure on table 2. Blade too coarse for material 3. Teeth in contact with work before sawing 4. Misaligned guides 5. Blade too thick for wheel diameter 6. Cracking at weld 	<ol style="list-style-type: none"> 1. Squarely place work on table 2. Use finer pitch blade 3. Place blade in contact with work after saw is started and has reached full speed 4. Adjust blade guides properly 5. Use thinner blade 6. Replace blade
Premature blade dulling	<ol style="list-style-type: none"> 1. Blade too coarse 2. Inadequate feed pressure 3. Hard spots or scale in or on material 4. Blade installed backwards 	<ol style="list-style-type: none"> 1. Use finer tooth blade 2. Gently increase pressure 3. Reduce speed; increase rate of feed for scale and change blades for hard spots 4. Remove blade, twist inside out and reinstall blade
Crooked cuts	<ol style="list-style-type: none"> 1. Work not square 2. Rate of feed too great 3. Blade guides not adjusted properly 4. Upper blade guide too far from workpiece 5. Dull blade 6. Blade guide assembly loose or blade thrust bearing loose 	<ol style="list-style-type: none"> 1. Use miter gauge; adjust tilt of table at 90° 2. Reduce rate of feed 3. Move both guide blocks within .002" from blade (use gauge) 4. Adjust upper guide to just clear workpiece by ¼" 5. Replace blade 6. Tighten blade thrust bearing within .002" behind blade back
Rough cuts	<ol style="list-style-type: none"> 1. Too much feed 2. Blade too coarse 	<ol style="list-style-type: none"> 1. Reduce feed 2. Replace with finer blade
Blade is twisting or unusual wear on side/back of blade	<ol style="list-style-type: none"> 1. Cut is binding blade 2. Blade guides or bearing worn 3. Blade guides or bearings not adjusted properly 4. Blade guide brackets loose 	<ol style="list-style-type: none"> 1. Decrease feed pressure 2. Replace 3. Adjust blade guides; see "Operation" 4. Tighten properly
Teeth ripping from blade	<ol style="list-style-type: none"> 1. Teeth too coarse for work 2. Rate of feed too great 3. Vibrating workpiece 4. Teeth filling with material 	<ol style="list-style-type: none"> 1. Use blade with finer teeth 2. Decrease feed rate 3. Hold workpiece firmly 4. Use blade with coarser teeth
Motor running too hot	<ol style="list-style-type: none"> 1. Blade too coarse for work (typical when cutting pipe) 2. Blade too fine for work (typical when cutting slick or soft material) 3. Excessive dirt and chips 	<ol style="list-style-type: none"> 1. Use blade with finer teeth 2. Use blade with coarser teeth 3. Clean thoroughly
Saw will not start	Loose electrical connections	Have qualified electrician check electrical connections

Model 351.214190

Figure 10 - Replacement Parts Illustration for Frame, Table and Guides



REPLACEMENT PARTS LIST FOR FRAME, TABLE AND GUIDES

KEY NO.	PART NO.	DESCRIPTION	QTY.
1	20855.00	Table Insert	1
2	25064.00	Table	1
3	25065.00	Miter Gauge Assembly	1
4	20856.00	Table Locking Insert	1
5	STD852006	6mm Lock Washer*	1
6	25066.00	6-1.0 x 12mm Wing Screw	1
7	STD870820	8-1.25 x 20mm Socket Head Bolt*	4
8	STD851008	8mm Flat Washer*	4
9	25067.00	Spacer	2
10	25068.00	Trunnion	1
11	STD870616	6-1.0 x 15mm Socket Head Bolt*	2
12	STD833025	6-1.0 x 25mm Hex Head Bolt*	1
13	STD840610	6-1.0mm Hex Nut*	1
14	25069.00	Locking Handle	1
15	STD851006	6mm Flat Washer*	5
16	25070.00	Shoulder Bolt	1
17	25071.00	Spring	1
18	25072.00	Knob	1
19	STD870510	5-0.8 x 10mm Socket Head Bolt*	5
20	STD851005	5mm Flat Washer*	13
21	25073.00	Pointer	1
22	25074.00	Knob	1
23	25075.00	Bracket	1
24	25076.00	Pinion	1
25	25077.00	Knob	1
26	STD863512	5-0.8 x 12mm Pan Head Screw*	5
27	25078.00	Plug	1
28	STD863510	5-0.8x10mm Pan Head Screw*	9
29	25079.00	Dust Chute	1

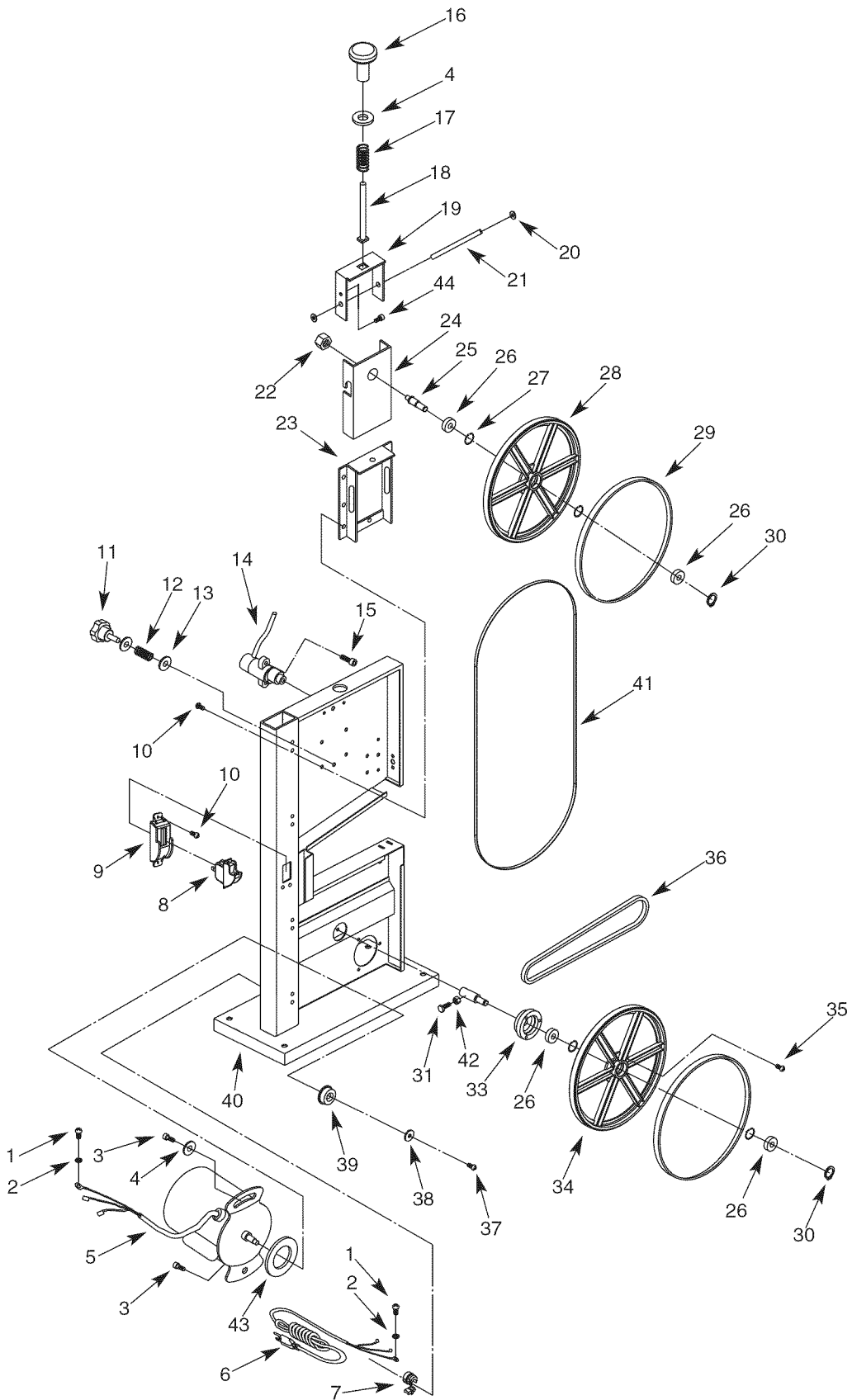
KEY NO.	PART NO.	DESCRIPTION	QTY.
30	N/A	Cabinet	1
31	25080.00	Lower Guide Mount	1
32	25767.00	5 x 14mm Dowel Pin	4
33	25081.00	Lower Guide Block	1
34	25082.00	Lower Bearing Bracket	1
35	STD315488	606ZZ Ball Bearing*	2
36	25083.00	Bearing Stud	2
37	22163.00	6-1.0 x 10mm Socket Pan Head Screw	2
38	04424.00	4-0.7 x 6mm Flat Head Screw	4
39	25084.00	Mount	1
40	25085.00	Nut	1
41	25086.00	Limit Plate	1
42	STD861316	4.2 x 15mm Threadforming Screw*	1
43	25087.00	Guard	1
44	25088.00	Upper Blade Guide	1
45	25089.00	Spring	1
46	25090.00	Blade Guard	1
47	25091.00	Upper Bearing Bracket	1
48	25092.00	Upper Door Assembly	1
49	25093.00	Latch	2
50	STD861395	4.2 x 9.5mm Threadforming Screw*	1
51	25094.00	Window	1
52	25095.00	Upper Guide Block	1
53	25295.00	Seal	1
54	06177.00	4-0.7 x 8mm Flat Head Screw	8
55	25298.00	4-0.7 x 5mm Set Screw	1
56	25099.00	4.8 x 9.5mm Threadforming Screw	1
57	25100.00	Brush	1
58	25101.00	Lower Door Assembly	1

* Standard hardware item available locally.

Recommended Accessories		Model No.
Δ	Multi-Purpose Stand	9-22224
Δ	Blade 62" x 1/8" x 14TPI Hook	9-21792
Δ	Blade 62" x 1/4" x 6TPI Hook	9-21793
Δ	Blade 62" x 3/8" x 4TPI Hook	9-21794

Model 351.214190

Figure 11 - Replacement Parts Illustration for Drive



REPLACEMENT PARTS LIST FOR DRIVE

KEY NO.	PART NO.	DESCRIPTION	QTY.
1	STD863508	5-0.8 x 8mm Pan Head Screw*	2
2	01474.00	5mm Serrated Washer	2
3	STD870812	8-1.25 x 12mm Socket Head Bolt*	2
4	STD851008	8mm Flat Washer*	2
5	25102.00	Motor	1
6	25103.00	Line Cord	1
7	01601.00	Strain Relief	2
8	08066.00	Switch	1
9	25104.00	Switch Box	1
10	STD863510	5-0.8 x 10mm Pan Head Screw*	11
11	25105.00	Knob	1
12	25106.00	Spring	1
13	STD851006	6mm Flat Washer*	2
14	25107.00	Blade Tensioning Cam Assembly	1
15	STD870510	5-0.8 x 10mm Socket Head Bolt	2
16	25108.00	Knob	1
17	25109.00	Spring	1
18	25110.00	8-1.25 x 80mm Carriage Bolt	1
19	25111.00	Tension Bracket	1
20	06801.00	8mm Push Nut	2
21	25112.00	8 x 90mm Dowel Pin	1
22	STD841015	10mm Hex Nut*	1
23	25113.00	Upper Cabinet Support	1
24	25114.00	Tracking Adjustment Bracket	1
25	25115.00	Idler Shaft	1
26	STD315501	6000ZZ Ball Bearing*	4
27	16254.00	3BMI-26 Retaining Ring	4
28	25116.00	Idler Wheel	1
29	25117.00	Wheel Band	2
30	00221.00	3AMI-10 Retaining Ring	2
31	STD833010	6-1.0 x 10mm Hex Head Bolt*	4
32	25118.00	Driven Shaft	1
33	25119.00	Driven Pulley	1
34	25120.00	Lower Wheel	1
35	STD870512	5-0.8 x 12mm Socket Head Bolt*	3
36	25121.00	Belt	1
37	25122.00	5-0.8 x 10mm Button Head Screw	1
38	STD851005	5mm Flat Washer*	1
39	25123.00	Motor Pulley	1
40	N/A	Cabinet	1
41	25124.00	Blade 62" Long	1
42	STD840610	6-1.0mm Hex Nut*	1
43	25296.00	Seal	1
44	STD870506	5-0.8 x 6mm Socket Head Bolt	1
Δ	25126.03	Operator's Manual	1
Δ	25125.00	Hardware Bag	1

* Standard hardware item available locally.

Δ Not shown.

N/A Not available as replacement part.

SIERRA DE BANDA DE BANCO DE 9"

Modelo No.
351.214190

PRECAUCION: Lea y siga todas las Reglas de Seguridad y las Instrucciones de Operación antes de usar este producto por primera vez.

CONTENIDO

Inglés	2-9
Ilustraciones y Listas de Partes	10-13
Garantía	14
Reglas de Seguridad	14-15
Desempaqué	15
Montaje	15-16
Instalación	16-17
Operación	17-19
Mantenimiento	20
Identificación de Problemas	21

GARANTIA

GARANTIA COMPLETA DE UN AÑO PARA HERRAMIENTA CRAFTSMAN

Si esta herramienta Craftsman fallara por causa de defectos en el material o en la mano de obra en un lapso de un año a partir de la fecha de compra, LLAME al 1-800-4-MY-HOME® PARA SOLICITAR LA REPARACION GRATUITA DEL PRODUCTO (o su reemplazo si no se puede reparar la unidad). Esta garantía no incluye partes fungibles, tales como lámparas, baterías, barrenas o cuchillas.

Si esta herramienta se usa alguna vez para fines comerciales o de alquiler, esta garantía es válida únicamente por 90 días a partir de la fecha de compra.

Esta garantía le otorga derechos legales específicos y también puede usted tener otros derechos que varíen de estado a estado.

Sears, Roebuck and Co., Hoffman Estates, IL 60179

REGLAS DE SEGURIDAD

ADVERTENCIA DE LA PROPOSICION 65: Parte del polvo producido por el lijado mecánico, serrado, esmerilado, taladrado y otras tareas de construcción contiene sustancias químicas que el estado de California reconoce como causantes de cáncer, malformaciones congénitas u otros daños reproductivos.

Algunos ejemplos de estas sustancias químicas son:

- Plomo proveniente de pinturas con base de plomo.
- Sílice cristalino proveniente de ladrillos, cemento y otro material de mampostería.
- Arsénico y cromo proveniente de madera químicamente tratada.

El riesgo debido a la exposición de estas sustancias químicas depende de la frecuencia con la cual realice este tipo de trabajo. Para reducir la exposición a estas sustancias químicas: trabaje en un área bien ventilada y utilice equipo de seguridad aprobado. Cuando trabaje con este tipo de herramientas, utilice siempre una máscara para la cara o respirador adecuadamente ajustados, aprobados por OSHA/NIOSH.

ADVERTENCIA: Para su propia seguridad, lea todas las instrucciones y las precauciones antes de operar la herramienta.

PRECAUCION: Siempre siga los procedimientos de operación correctos, tal como se definen en este manual, aun cuando esté familiarizado con el uso de ésta o de otras herramientas similares. Recuerde que descuidarse aunque sólo sea por una fracción de segundo puede ocasionarle graves lesiones.

EL OPERADOR DEBE ESTAR PREPARADO PARA EL TRABAJO

- Use ropa apropiada. No use ropa holgada, guantes, corbatas, anillos, pulseras ni otras joyas que puedan atascarse en las piezas móviles de la máquina.
- Use una cubierta protectora para el cabello, para sujetar el cabello largo.
- Use zapatos de seguridad con suelas antideslizantes.
- Use gafas de seguridad que cumplan con la norma ANSI Z87.1 de los Estados Unidos. Los anteojos comunes tienen lentes que sólo son resistentes al impacto. **No** son anteojos de seguridad.
- Use una máscara para la cara o una máscara contra el polvo, si al utilizar la herramienta se produce mucho polvo.
- Esté alerta y piense claramente. Nunca opere herramientas mecánicas cuando esté cansado, intoxicado o bajo la influencia de medicación que produzca somnolencia.

PREPARE EL AREA DE TRABAJO PARA LA TAREA A REALIZAR

- Mantenga el área de trabajo limpia. Las áreas de trabajo desordenadas atraen accidentes.
- No use herramientas mecánicas en ambientes peligrosos. No use herramientas mecánicas en lugares húmedos o mojados. No exponga las herramientas mecánicas a la lluvia.
- El área de trabajo debe estar iluminada adecuadamente.
- Debe haber disponible una toma de corriente adecuada para la herramienta. El enchufe de tres puntas se tiene que enchufar directamente en un receptáculo de tres puntas conectado a tierra correctamente.
- Los cordones de extensión deben tener una punta de conexión a tierra y los tres alambres del cordón de extensión deben ser del calibre correcto.
- Mantenga a los visitantes a una distancia prudente del área de trabajo.
- Mantenga a los niños fuera del lugar de trabajo. Haga que su taller sea a prueba de niños. Use candados, interruptores maestros y remueva las llaves del arrancador para impedir cualquier uso involuntario de las herramientas mecánicas.

SE DEBE DAR MANTENIMIENTO A LA HERRAMIENTA

- Desenchufe siempre la herramienta antes de inspeccionarla.
- Consulte el manual para informarse sobre los procedimientos de mantenimiento y ajuste específicos.

- Mantenga la herramienta lubricada y limpia de modo que funcione de la manera más segura.
- Retire las herramientas de ajuste. Desarrolle el hábito de verificar que hayan sido retiradas las herramientas de ajuste antes de encender la máquina.
- Mantenga todas las partes listas para funcionar. Revise el protector u otras piezas para determinar si funcionan correctamente y hacen el trabajo que deben hacer.
- Revise que no haya partes dañadas. Verifique el alineamiento de las partes móviles, si hay atascamiento, roturas y montaje o cualquier otra condición que pudiera afectar el funcionamiento de la herramienta.
- Si hay una protección o cualquier otra parte dañada, éstas deberán repararse correctamente o ser reemplazadas. No haga reparaciones provisionales (vélgase de la lista de piezas incluida para solicitar piezas de reemplazo).

EL OPERADOR DEBE SABER COMO USAR LA HERRAMIENTA

- Use la herramienta correcta para cada trabajo. No fuerce la herramienta o el accesorio ni los use para una tarea para la que no fueron diseñados.
- Cuando cambie la hoja, desconecte la herramienta.
- Evite que la herramienta se encienda por accidente. Cerciórese de que la herramienta esté en la posición OFF (apagado) antes de enchufarla.
- No fuerce la herramienta. Funcionará en la forma más eficiente a la velocidad para la cuál se diseñó.
- Mantenga las manos alejadas de las partes móviles y de las superficies cortadoras.
- Nunca deje desatendida una herramienta en funcionamiento. Desconéctela y no abandone el lugar hasta que se haya detenido por completo.
- No trate de alcanzar demasiado lejos. Manténgase firme y equilibrado.
- Nunca se pare sobre la herramienta. Se pueden producir lesiones graves si la herramienta se vuelca o hace contacto con la cuchilla sin intención.
- Conozca su herramienta. Aprenda a manejar la herramienta, su aplicación y limitaciones específicas.
- Use los accesorios recomendados (consulte la página 11). Si se usan accesorios incorrectos, aumenta el riesgo de sufrir lesiones o lesionar a alguien.
- Maneje la pieza de trabajo en forma correcta. Protéjase las manos de posibles lesiones.
- Apague la máquina si se atasca. La hoja se atasca si se introduce muy profundamente en la pieza de trabajo (la fuerza del motor la mantiene trabada en la pieza de trabajo). No quite las piezas atascadas o cortadas hasta que se haya apagado y desconectado la sierra y la hoja se haya detenido.

ADVERTENCIA: La operación de toda herramienta mecánica puede hacer que salgan arrojados objetos extraños hacia los ojos y les causen graves heridas. Siempre use gafas de seguridad que cumplan con los requisitos de la norma estadounidense ANSI Z87.1 (se indica en el paquete) antes de comenzar a usar la herramienta mecánica. Puede obtener gafas de seguridad a través de su catálogo de Sears.

DESEMPAQUE

Verifique que no hayan ocurrido daños durante el envío. Si hay daños, se deberá presentar un reclamo a la compañía de transporte. Verifique que esté completa. Avise inmediatamente al distribuidor si faltan partes.

La sierra de banda viene armada como una unidad. Será necesario localizar y ver que no falten las partes adicionales que deben montarse en la sierra, antes de instalarlas:

- A Conjunto de la guía de ingletes
- B Conjunto de la mesa
- C Manilla de fijación con arandela
- D Conjunto del inserto de fijación de la mesa

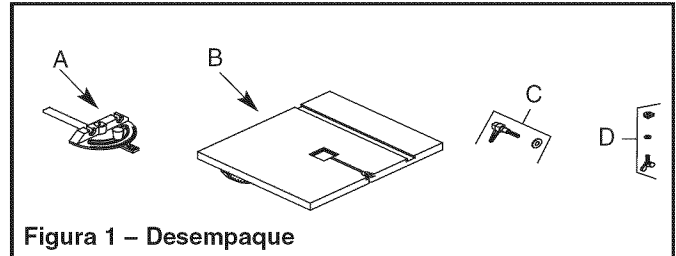


Figura 1 – Desempaquetado

IMPORTANTE: La mesa viene revestida con un protector. Para garantizar un ajuste y un funcionamiento correctos, retire dicho revestimiento. Éste se puede eliminar fácilmente mediante solventes suaves, tales como esencias minerales, y un paño suave. Evite dejar caer esta solución en la pintura o en cualquier parte de goma o plástico. Los solventes pueden deteriorar estos acabados. Use agua y jabón en la pintura y en los componentes de plástico o goma. Después de limpiarla, cubra todas las superficies de metálico expuestas con una capa ligera de aceite. Se recomienda el uso de cera en pasta para la parte superior de la mesa.

ADVERTENCIA: Nunca use solventes muy volátiles. Se recomienda utilizar solventes no inflamables para evitar posibles incendios.

MONTAJE

PRECAUCION: No intente hacer el montaje si hay partes que faltan. Vélgase del manual de operador para solicitar partes de repuesto.

MONTAJE DE LA SIERRA DE BANDA EN LA SUPERFICIE DE TRABAJO

- La sierra de banda ha sido diseñada para ser portátil de modo que pueda llevarse al lugar de trabajo, pero se debe montar en un banco o mesa estable y nivelada. Véa Accesorios Recomendados en la página 11.
- La base de la sierra de banda tiene cuatro agujeros de montaje.
- Si la superficie de trabajo no tiene ya hechos los agujeros, perfóre cuatro con un taladro.
- Monte firmemente la sierra de banda en la superficie de trabajo apertnándola (pernos no incluidos) a través de los agujeros.

AVISO: La hoja debe estar tensa y alineada, y las guías de la hoja deben ajustarse antes de poner en funcionamiento la sierra. Consulte “Alineación de la hoja” y “Guías de la hoja” en la sección OPERACION, páginas 18.

INSTALE LA MESA

Consulte la Figura 10.

- Remueva el conjunto de la manilla (Claves No. 16, 17 y 18) del bastidor de la sierra.
- Coloque el conjunto de la mesa sobre el bastidor de la sierra. Vuelva a instalar el conjunto de la manilla.
- Asegure la mesa en su posición con el conjunto de la manivela de fijación (Claves No. 14 y 15).
- Utilizando una escuadra de combinación, coloque la mesa perpendicular a la hoja. Ajuste el tope de la mesa (Claves No. 12 y 13) de ser necesario.
- Ajuste el indicador en 0° (Clave No. 21).
- Instale el conjunto del inserto de fijación de la mesa (Claves No. 4, 5 y 6).

INSTALACION

Consulte las Figuras 2 y 3.

MOTOR

El motor de CA de 120 voltios tiene las siguientes especificaciones:

Caballaje (servicio continuo)	1/2
Voltaje	120
Amperaje	2.5
Frecuencia (Hz)	60
Fase	Monofásico
RPM	1725

FUENTE DE ALIMENTACION

El motor ha sido diseñado para funcionar al voltaje y frecuencia especificados. Las cargas normales se pueden manejar con seguridad con voltajes no mayores de 10% por encima o por debajo del voltaje especificado.

El hacer funcionar la unidad en voltajes fuera del rango especificado puede sobrecalentar la herramienta y quemar el motor. Para cargas pesadas es necesario que el voltaje en los terminales del motor no sea inferior al voltaje especificado. La fuente de alimentación del motor se controla mediante un interruptor oscilante de enclavamiento bipolar. Extraiga la llave para evitar el uso no autorizado.

INSTRUCCIONES PARA LA CONEXION A TIERRA

ADVERTENCIA: Si no se conecta correctamente el conductor a tierra del equipo, se corre el riesgo de un electrochoque. El equipo debe estar conectado a tierra mientras se usa para proteger al operador de un electrochoque.

Si no comprende las instrucciones de conexión a tierra o tiene dudas en cuanto a si la herramienta está correctamente conectada a tierra, consulte a un electricista calificado.

A fin de protegerlo contra una descarga eléctrica, esta herramienta está equipada con un cordón de tres conductores, aprobado y clasificado para 150 V, y con un enchufe de tres puntas del tipo de conexión a tierra.

El enchufe de conexión a tierra deberá conectarse directamente a un zócalo para 3 clavijas instalado y conectado debidamente a tierra, tal como se muestra en la Figura 2.

No retire ni modifique en forma alguna la punta de conexión a tierra. En caso de un mal funcionamiento o una descomposición, la conexión a tierra proporciona una ruta de menor resistencia para la descarga eléctrica.

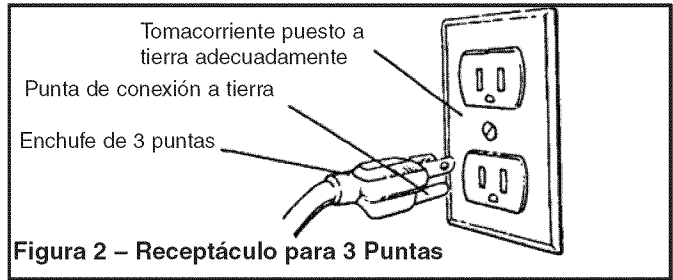


Figura 2 – Receptáculo para 3 Puntas

ADVERTENCIA: Al conectar o desconectar el enchufe del tomacorriente, no permita que los dedos toquen los terminales o el enchufe.

El enchufe debe conectarse en el tomacorriente correspondiente que haya sido instalado y conectado a tierra debidamente, de acuerdo con todos los códigos y regulaciones locales. No modifique el enchufe que se incluye. Si no cabe en el tomacorriente, solicite a un electricista calificado que instale un tomacorriente adecuado.

Revise periódicamente los cordones de la herramienta, y si están dañados, llévelos a un centro de servicio autorizado para que los reparen.

El conductor verde (o verde y amarillo) del cordón es el cable de conexión a tierra. Si es necesario reparar o reemplazar el cordón eléctrico o el enchufe, no conecte el cable verde (o verde y amarillo) a un terminal cargado.

Si se cuenta únicamente con un tomacorriente de dos puntas, éste deberá ser reemplazado con un tomacorriente de tres puntas debidamente conectado a tierra e instalado de acuerdo con las Normas para Instalaciones Eléctricas (National Electric Code) y los códigos y regulaciones locales.

ADVERTENCIA: Esta tarea deberá ser realizada por un electricista calificado.

Se puede usar temporalmente un adaptador de 3 puntas a 2 puntas con conexión a tierra (véase la Figura 3) para conectar los enchufes a un tomacorriente bipolar que esté correctamente puesto a tierra.

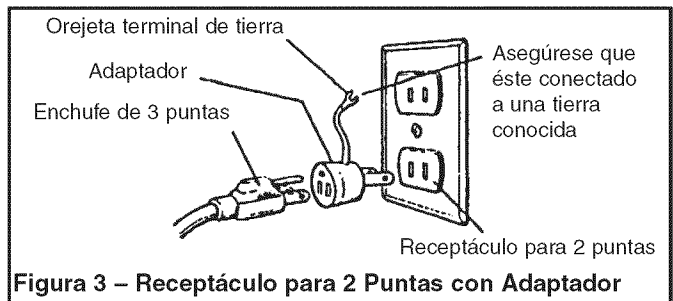


Figura 3 – Receptáculo para 2 Puntas con Adaptador

No utilice este tipo de adaptadores a menos que esté permitido por los códigos y regulaciones nacionales y locales. (En Canadá no se permite usar adaptadores de conexión a tierra de 3 puntas a 2 puntas). Cuando esté permitido utilizar este tipo de adaptadores, la lengüeta rígida de color verde o el terminal en el lado del adaptador deberán estar bien conectados a una tierra permanente, como sería una tubería de agua debidamente conectada a tierra, un tomacorriente debidamente conectado a tierra o un sistema de cables debidamente conectado a tierra.

Muchos de los tornillos de la plancha de cubierta, las tuberías de agua y las cajas de tomacorriente no están debidamente conectados a tierra. Para garantizar que la conexión a tierra sea efectiva, un electricista calificado debe verificar los medios de conexión a tierra.

CORDONES DE EXTENSION

- El uso de cualquier tipo de cordón de extensión ocasionará una caída en el voltaje y una pérdida de potencia.

- Los cables del cordón de extensión deben tener el tamaño suficiente para conducir la corriente adecuada y mantener el voltaje correcto.
- Utilice la tabla para determinar el tamaño mínimo del cordón de extensión (AWG).
- Utilice únicamente cordones de extensión trifilares que tengan enchufes tipo conexión a tierra de tres puntas y receptáculos tripolares que acepten el enchufe de la herramienta.
- Si el cordón de extensión está desgastado, roto o dañado en cualquier forma, reemplácelo inmediatamente.

LONGITUD DEL CORDON DE EXTENSION

Tamaño del alambre	Norma AWG
Hasta 50 pies.	16

AVISO: No se recomienda utilizar cordones de extensión de más de 50 pies de largo.

OPERACION

Consulte las Figuras 4-17 en las páginas 17-19.

La sierra de banda de 9" Craftsman cuenta con un bastidor de acero y una sólida superficie de mesa de hierro fundido para garantizar su duración. Está diseñada para cortar maderas duras y blandas así como metales no ferrosos y plástico. La sierra está equipada con una guía de ingletes para realizar diferentes operaciones. Su práctico mecanismo de tensión rápida y alineación total aligera y facilita el cambio de las hojas. La banda cortadora cuenta con una puerta de polvo y ventana de alineación de la hoja.

ESPECIFICACIONES

Profundidad de la garganta a 90°	9"
Profundidad de corte máxima a 90°	3 ⁵ / ₈ "
Profundidad de corte máxima a 45°	2"
Tamaño de la mesa.	11 ³ / ₄ x 11 ³ / ₄ "
Inclinación de la cabeza	0° a 45°
Diámetro de la rueda.	9.4"
Longitud de la hoja.	62"
Ancho de la hoja	1/8 - 3/8"
Velocidad de la hoja	2460 PPM
Dimensiones generales.	20 x 13 x 29"
Peso de embarque	49 lbs
Orificio colector de polvo.	2.086"

PRECAUCION: Tenga siempre en cuenta las siguientes precauciones:

- Asegúrese de que las guías de las hojas y los rodamientos de empuje estén colocados y ajustados correctamente para evitar que la hoja se mueva hacia un lado y hacia atrás. Ajuste la guía superior para que apenas quede separada de la pieza de trabajo.
- Verifique que la hoja tenga la tensión y alineación correctas. No ponga demasiada tensión en la hoja para evitar que se desgaste prematuramente y se rompa. Evite que se aplique una tensión insuficiente en la hoja para impedir que se mueva de atrás hacia delante y de lado a lado a medida que corta.
- Utilice la hoja adecuada para la operación de corte.
- Después de encender la sierra, permita que la hoja alcance la velocidad completa antes de intentar llevar a cabo ninguna operación de corte.

- Soporte la pieza de trabajo correctamente y use una alimentación uniforme y constante para guiar el trabajo a través del corte. Use palos o bloques de empuje cuando sea necesario.
- Mantenga las manos alejadas y fuera de la trayectoria de las partes móviles.
- Utilice siempre protección para los ojos.

INTERRUPTOR DE ON/OFF (ENCENDIDO/APAGADO)

Consulte la Figura 4, la página 19.

El interruptor de Encendido/Apagado se halla en la parte delantera izquierda de la columna de la sierra. Para encender la sierra, cambie la posición del interruptor a la posición superior. Para apagar la sierra, cambie la posición del interruptor a la posición inferior.

Se puede bloquear el interruptor para impedir el uso no autorizado de la sierra. Para bloquear el interruptor:

- Abra el interruptor y desconecte la saw de la fuente de alimentación.
- Extraiga la llave. No se puede llevar el interruptor a la posición ON (encendido) sin la llave.

AVISO: Si se extrae la llave con el interruptor en la posición ON (encendido), se puede llevar éste a la posición OFF (apagado) pero no a la de encendido.

- Para volver a insertar la llave, deslícela al interior de la ranura del interruptor hasta que se acople.

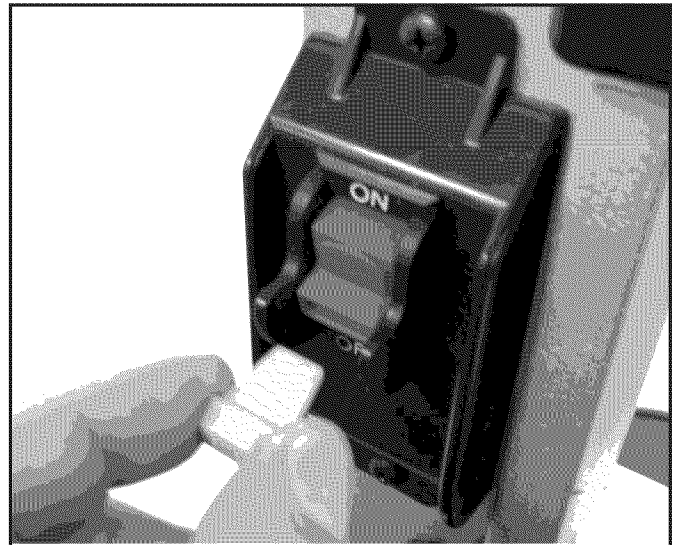


Figura 4 – Interruptor Enclavado en la Posición OFF (Apagado)

EXTRACCION DE LA HOJA

ADVERTENCIA: Desconecte la sierra de banda de la fuente de alimentación al cambiar o ajustar las hojas. Utilice guantes de cuero cuando trabaje con las hojas de la sierra de banda. Nunca utilice guantes cuando opere la sierra.

- Gire la palanca de tensión de la hoja ubicada en la parte posterior de la herramienta en el sentido de las manecillas del reloj hasta que se fije en posición para liberar la tensión de la hoja (vea la Figura 5).

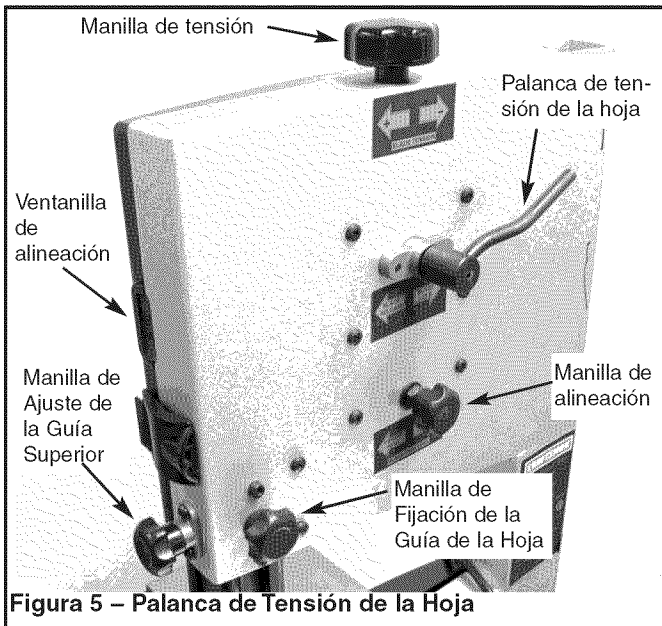


Figura 5 – Palanca de Tensión de la Hoja

- Suelte dos pestillos a un lado de la herramienta y abra las puertas de superior e inferior.

AVISO: Al abrir la puerta, asegúrese que los pestillos no topen con las lengüetas en el bastidor.

- Baje la guía superior de la hoja completamente y destrabe el panel de la guía para lograr acceso a la hoja

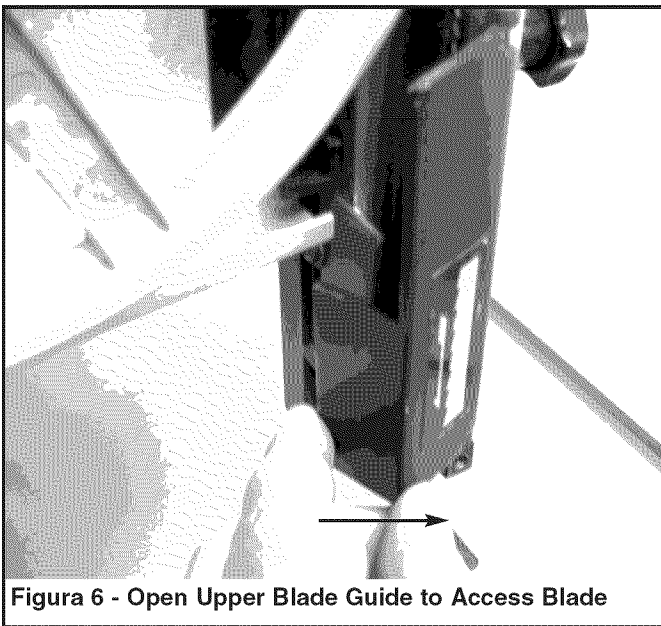


Figura 6 - Open Upper Blade Guide to Access Blade

(consulte la Figura 6).

- Retire el inserto de fijación de la mesa ubicado en la parte delantera de la ranura de la mesa, extraiga la hoja liberada y reemplácela con otra hoja.

INSTALACION DE LA HOJA

- Aunque más de los ajustes no están modificar cuando se ha extraído la hoja, se debe revisar cada ajuste antes de usar una hoja recién instalada.
- Asegúrese de que los dientes de la hoja estén señalando hacia abajo, hacia la mesa. Dé vuelta a la hoja de adentro hacia afuera si es necesario.
- Deslice la hoja nueva en la ranura de la mesa y sobre las ruedas superior e inferior de la hoja. Deslice la hoja entre

sus protecciones.

- Tense la hoja girando la palanca de tensión de la hoja en el sentido de las manecillas del reloj, hasta que tope (vea la Figura 5). Éste es un mecanismo tensor accionado por resorte y aplicará automáticamente la tensión requerida a la hoja.
- Utilice la manilla de tensión para realizar ajustes finos a la tensión de la hoja.

- Cierre las puertas y coloque los pestillos.

AVISO: Al cerrar las puertas, asegúrese que los bordes de las puertas y el bastidor queden firmemente acoplados antes de intentar fijar la puerta. Los pestillos no tirarán de las puertas y el bastidor a la vez.

- Instale el inserto de la mesa.
- Alinee la hoja tal como se describe en las secciones siguientes.

ALINEACION DE LA HOJA

Consulte las Figuras 5 y 11.

ADVERTENCIA: Tenga mucho cuidado; una hoja alineada incorrectamente puede saltar de las ruedas y causar lesiones personales graves. No realice ajustes de alineación mientras la sierra de banda está funcionando.

- Desenchufe la sierra de banda de la fuente de alimentación.
- Para verificar la alineación de la banda gire la rueda impulsora manualmente en el sentido de las manecillas del reloj. Use la ventana para ver la hoja.
- La alineación correcta se logra cuando la rueda impulsora y la rueda loca están alineadas. La manilla de alineación (Clave No. 11) ubicada en la parte posterior del bastidor de la herramienta se usa para inclinar la rueda superior y alinear las ruedas de la hoja.
- Si la hoja avanza en dirección contraria al armario, gire la manilla en el sentido de las manecillas del reloj. Si la hoja avanza hacia el armario, gire la manilla en sentido contrario a las manecillas del reloj.
- Cuando la alineación de la hoja es correcta, asegure la posición apretando la tuerca (Clave No. 13).

GUIAS DE LA HOJA

AVISO: Ajuste las guías de la hoja sólo después de que ésta haya sido tensada y alineada correctamente.

- Las guías de la hoja la soportan por los lados y la parte posterior e impiden que se tuerza o desvíe.
- Las guías de la hoja no deben tocar la hoja si no hay ninguna pieza de trabajo en contacto con la hoja. Ajuste las guías como se describe en las secciones siguientes.

GUIAS SUPERIORES DE LA HOJA

- Las guías superiores de la hoja emplean pasadores de guía para soporte lateral y un rodamiento de bola para soporte posterior.
- Afloje los tornillos y ajuste los pasadores de guía a los lados de la hoja (vea la Figura 7). Use un calibrador de cinta para verificar que los pasadores de guía estén a 0.002" de la hoja.

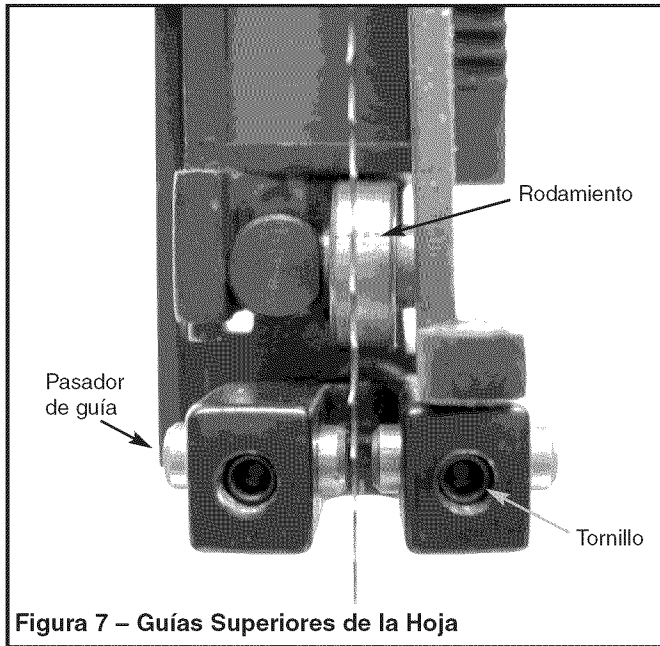


Figura 7 – Guías Superiores de la Hoja

- Asegure el ajuste apretando los tornillos.
- Ajuste el rodamiento de bola en la parte posterior de la hoja aflojando el perno de cabeza hueca y cambiando la posición el eje del rodamiento (vea la Figura 8).

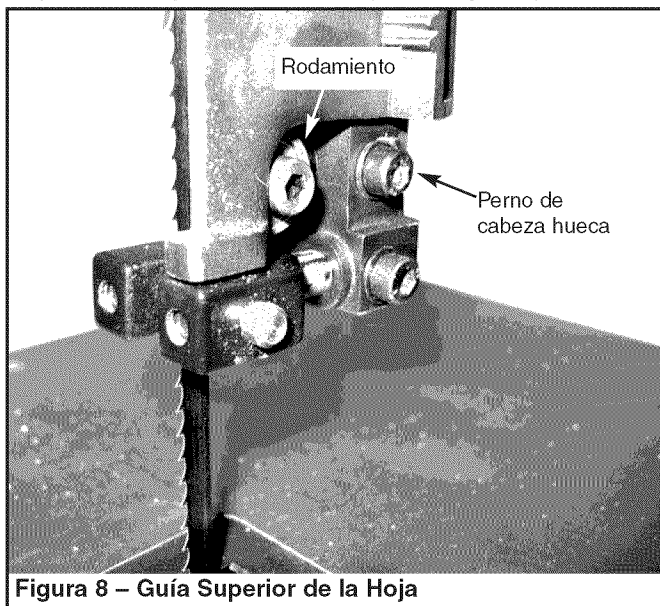


Figura 8 – Guía Superior de la Hoja

- Ponga el rodamiento de bola a 0.002" de la parte posterior de la hoja.
- Asegure la posición del rodamiento de empuje apretando el perno de cabeza hueca.
- Ajuste la altura de la guía superior para que quede a 1/4" de la pieza de trabajo. Afloje la manilla de la guía superior (vea la Figura 10, Clave No. 25) y ajuste la altura de la guía superior hasta que quede a 1/4" de la pieza de trabajo. Apriete la manilla de la guía superior.

GUIAS INFERIORES DE LA HOJA

- Las guías inferiores de la hoja emplean pasadores de guía para soporte lateral y rodamiento para soporte posterior.
- Afloje los tornillos (vea la Figura 9) y mueva los pasadores de guía en dirección opuesta a los lados de la hoja.

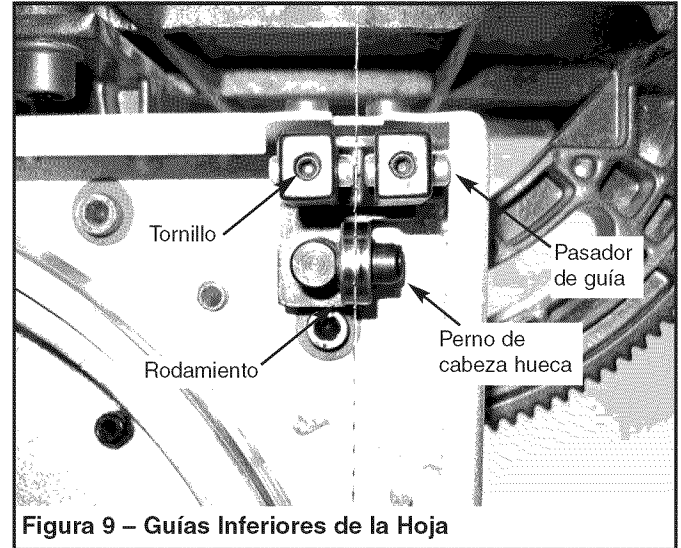


Figura 9 – Guías Inferiores de la Hoja

- Afloje los pernos de cabeza hueca (vea la Figura 10, Clave No. 19) y ajuste la posición del puntal de la guía inferior de manera que la parte posterior de la hoja quede ubicada a una distancia de 0.002 pulg. del rodamiento
- Apriete los pernos de cabeza hueca.
- Ajuste los pasadores de guía (vea la Figura 9) a los lados de la hoja. Use un calibrador de cinta para verificar que los pasadores de guía estén a 0.002" de la hoja.
- Asegure el ajuste apretando los tornillos.

SELECCION DE LA HOJA

- Las hojas varían según el tipo de material, tamaño de la pieza de trabajo y tipo de corte que se vaya a realizar.
- Las características que diferencian a las hojas son el ancho, el espesor y el paso.

ANCHO DE LA HOJA

- El ancho de la hoja es la distancia desde la punta del diente hasta la parte posterior de la hoja.
- El ancho de la hoja afecta la rigidez de la hoja. Una hoja más ancha se desvía menos y produce un corte más recto.
- El ancho de la hoja también limita el radio más pequeño que se puede cortar. Una hoja de 1/4" de ancho puede cortar alrededor de 1/2" de radio.

ESPESOR DE LA HOJA

- El espesor de la hoja es la distancia entre sus lados. Mientras mayor es su espesor, mayor es su rigidez y más fuertes sus dientes.
- Una hoja angosta y de mayor espesor se utiliza para cortar curvas mientras que una hoja ancha y de menor espesor se utiliza para hacer cortes largos y rectos.

PASO DE LA HOJA

- El paso es el número de dientes por pulgada o el tamaño del diente. Una hoja con más dientes por pulgada produce un corte más suave.
- El tipo de material que se está cortando determina el número de dientes que tienen que estar en contacto con el trabajo.
- En el caso de materiales blandos, la hoja adecuada debe tener entre 6 y 8 dientes por pulgada.

- Cuando se corten materiales más duros, en cuyo caso el golpe es más nocivo, se recomienda una hoja de 8 a 12 dientes por pulgada.
- Siempre debe haber al menos tres dientes en contacto con el corte para evitar el golpe de la hoja.
- La hoja se golpea cuando el paso es muy grande y el diente encuentra demasiado material. Esto puede desgarrar los dientes de la hoja.
- Los fabricantes de hojas están en capacidad de suministrar información sobre las hojas para aplicaciones específicas.

TIPO DE CORTE

- El corte de contorno se hace guiando la pieza de trabajo a mano libre para producir las formas curvas.
- El corte biselado se hace inclinando la mesa de la sierra y aplicando la técnica adecuada para guiar la pieza de trabajo.
- Independientemente de la técnica de guía de la pieza de trabajo que se esté aplicando, si la pieza sobrepasa la mesa en más de 5", necesita el apoyo adecuado.

SERRADO DE CONTORNO

- Cuando se sierre el contorno use ambas manos para mantener la pieza de trabajo horizontal sobre la mesa y guiarla por la trayectoria deseada.
- Evite poner las manos en línea con la hoja. Si se le resbalan, pueden hacer contacto con la hoja.
- Trate de pararse hacia la parte delantera de la sierra y ponga las manos sobre la parte de la mesa que está a la derecha de la hoja y antes del corte.
- Corte las esquinas pequeñas aserrando a su alrededor. Sierre para eliminar el material residual hasta lograr la forma deseada.

CORTE BISELADO

Consulte la Figura 10.

- Realice el corte biselado inclinando la mesa al grado deseado.
- Desbloquee la mesa aflojando la manija de fijación ubicada en la parte posterior de la unidad (Clave No. 14).
- Incline la mesa a la posición deseada rotando la manilla (Clave No. 18).
- Fije la mesa en posición apretando la manija de fijación.

GUIA DE INGLETES

- Use la guía de ingletes para asegurar y sujetar la pieza de trabajo en el ángulo deseado y producir así cortes en ángulo. Use la escala para ajustar la guía en el ángulo deseado.

ADVERTENCIA: No use nunca simultáneamente la guía de ingletes y el reborde para serrar a lo largo. La hoja se puede atascar en la pieza de trabajo. El operador puede lesionarse y/o la pieza de trabajo se puede dañar.

ESCOBILLA PARA LIMPIAR LA HOJA

Consulte la Figura 10.

- Asegúrese de que la escobilla (Clave No. 57) haga contacto con la hoja para eliminar adecuadamente los cuerpos extraños que pueda tener la rueda impulsora.

MANTENIMIENTO

ADVERTENCIA: Asegúrese de que la unidad esté desconectada de la fuente de alimentación eléctrica antes de tratar de dar servicio o retirar cualquier componente.

LIMPIEZA

- Mantenga la máquina y el taller limpios. No permita que el aserrín se acumule en la sierra de banda.
- Mantenga las ruedas limpias. Los residuos en las ruedas harán que la hoja se desalinee y resbale.
- Mantenga los mecanismos y superficies roscadas o deslizantes limpios y sin cuerpos extraños.
- Haga funcionar la sierra de banda cortadora con un colector de polvo para minimizar la limpieza.

LUBRICACION

- Los rodamientos de bola protegidos están permanentemente lubricados y no necesitan más lubricación.
- Se puede aplicar un poco de aceite de máquina a los mecanismos de tensión de la hoja y a las superficies deslizantes o roscadas.
- De vez en cuando aplique una capa de cera en pasta a la parte superior de la mesa para mantenerla pulida y sin corrosión.

MANTENGA LA SIERRA DE BANDA EN BUENAS CONDICIONES

- Si el cordón eléctrico está desgastado, cortado o dañado en cualquier manera, reemplácelo inmediatamente.
- Reemplace toda parte que esté dañada o que falte.
- Válgase de la lista de piezas incluida para solicitar piezas de repuesto.

IDENTIFICACION DE PROBLEMAS

SINTOMA	CAUSAS(S) POSIBLE(S)	MEDIDA CORRECTIVA
Las hojas se rompen excesivamente	<ol style="list-style-type: none"> 1. El material no está seguro en la mesa 2. Los dientes son demasiado gruesos para el material 3. Los dientes entran en contacto con la pieza de trabajo antes de serrar 4. Las guías están desalineadas 5. El espesor de la hoja es excesivo para el diámetro de la rueda 6. Partiduras en la soldadura 	<ol style="list-style-type: none"> 1. Cuadre el material sobre la mesa 2. Use una hoja de paso más fino 3. Ponga la hoja en contacto con la pieza de trabajo después de que la sierra haya arrancado y alcanzado su velocidad máxima 4. Ajuste las guías de la hoja correctamente 5. Use una hoja de menor espesor 6. Cambie la hoja
La hoja se desafilam prematuramente	<ol style="list-style-type: none"> 1. La hoja es muy gruesa 2. Presión de alimentación inadecuada 3. Puntos duros o escamas en el material o sobre él 4. La hoja está instalada de atrás para adelante 	<ol style="list-style-type: none"> 1. Use una hoja de dientes más finos 2. Aumente la presión poco a poco 3. Reduzca la velocidad; si se trata de escamas, aumente la velocidad de alimentación y, si se trata de puntos duros, cambie las hojas 4. Retire la hoja, dóblela de adentro hacia afuera y vuélvala a instalar
Cortes chuecos	<ol style="list-style-type: none"> 1. El trabajo no está cuadrado 2. La velocidad de alimentación es muy alta 3. Las guías de la hoja no están ajustadas correctamente 4. La guía de la hoja superior está demasiado alejada de la pieza de trabajo 5. Hoja desafilada 6. El conjunto de la guía de la hoja está suelto o el rodamiento de empuje de la hoja está suelto 	<ol style="list-style-type: none"> 1. Use la guía de ingletes; ajuste la inclinación de la mesa a 90° 2. Reduzca la velocidad de alimentación 3. Mueva ambos bloques de guía dentro de 0.002" de la hoja (use calibrador) 4. Ajuste la guía superior para que apenas quede separada de la pieza de trabajo 1/4" 5. Cambie la hoja 6. Apriete el rodamiento de empuje de la hoja dentro de 0.002" detrás de la parte posterior de la hoja
Cortes ásperos	<ol style="list-style-type: none"> 1. Demasiada alimentación 2. La hoja es muy gruesa 	<ol style="list-style-type: none"> 1. Reduzca la alimentación 2. Cámbiela por una hoja más fina
La hoja se está torciendo o está desgastada anormalmente en su parte lateral/posterior	<ol style="list-style-type: none"> 1. El corte está atascando la hoja 2. Las guías de la hoja o el rodamiento están desgastados 3. Las guías de la hoja o los rodamientos no están ajustados correctamente 4. Los puntales de la guía de la hoja están sueltos 	<ol style="list-style-type: none"> 1. Disminuya la presión de alimentación 2. Reemplácelos 3. Ajuste las guías de la hoja; vea "Operación" 4. Apriete correctamente
Los dientes se están desgarrando de la hoja	<ol style="list-style-type: none"> 1. Los dientes son demasiado gruesos para el trabajo 2. La velocidad de alimentación es muy alta 3. La pieza de trabajo está vibrando 4. Los dientes se están llenando de material 	<ol style="list-style-type: none"> 1. Use una hoja de dientes más finos 2. Disminuya la velocidad de alimentación 3. Sujete la pieza de trabajo firmemente 4. Use una hoja de dientes más gruesos
El motor está funcionando muy caliente	<ol style="list-style-type: none"> 1. La hoja es demasiado gruesa para la pieza de trabajo (típico cuando se cortan tubos) 2. La hoja es muy fina para el trabajo (típico cuando se corta material pulido o blando) 3. Exceso de mugre y virutas 	<ol style="list-style-type: none"> 1. Use una hoja de dientes más finos 2. Use una hoja de dientes más gruesos 3. Limpie a fondo
La sierra no arranca	Conexiones eléctricas sueltas	Haga que un electricista profesional revise las conexiones eléctricas

NOTAS

Get it fixed, at your home or ours!

Your Home

For expert troubleshooting and home solutions advice:

manage my home

www.managemyhome.com

For repair – **in your home** – of **all** major brand appliances, lawn and garden equipment, or heating and cooling systems, **no matter who made it, no matter who sold it!**

For the replacement parts, accessories and owner's manuals that you need to do-it-yourself.

For Sears professional installation of home appliances and items like garage door openers and water heaters.

1-800-4-MY-HOME[®] (1-800-469-4663)

Call anytime, day or night (U.S.A. and Canada)

www.sears.com www.sears.ca

Our Home

For repair of carry-in items like vacuums, lawn equipment, and electronics, call anytime for the location of your nearest

Sears Parts & Repair Service Center

1-800-488-1222 (U.S.A.) **1-800-469-4663** (Canada)

www.sears.com www.sears.ca

To purchase a protection agreement on a product serviced by Sears:

1-800-827-6655 (U.S.A.) **1-800-361-6665** (Canada)

Para pedir servicio de reparación a domicilio, y para ordenar piezas:

1-888-SU-HOGAR[®]

(1-888-784-6427)

Au Canada pour service en français:

1-800-LE-FOYER^{MC}

(1-800-533-6937)

www.sears.ca

Sears

© Registered Trademark / TM Trademark / SM Service Mark of Sears Brands, LLC

© Marca Registrada / TM Marca de Fábrica / SM Marca de Servicio de Sears Brands, LLC

^{MC} Marque de commerce / ^{MD} Marque déposée de Sears Brands, LLC

© Sears Brands, LLC