

# Owner's Instructions

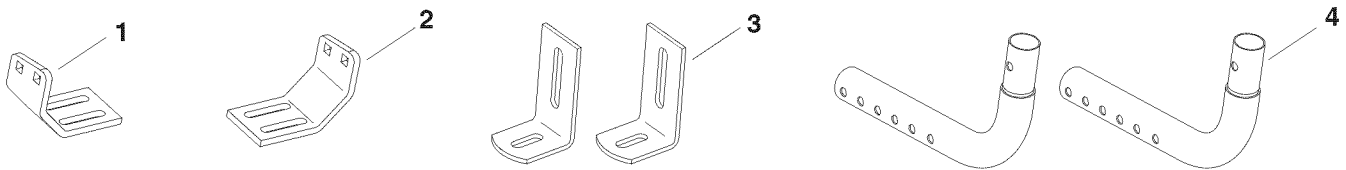


## SUN SHADE KIT

Model No. 486.24240

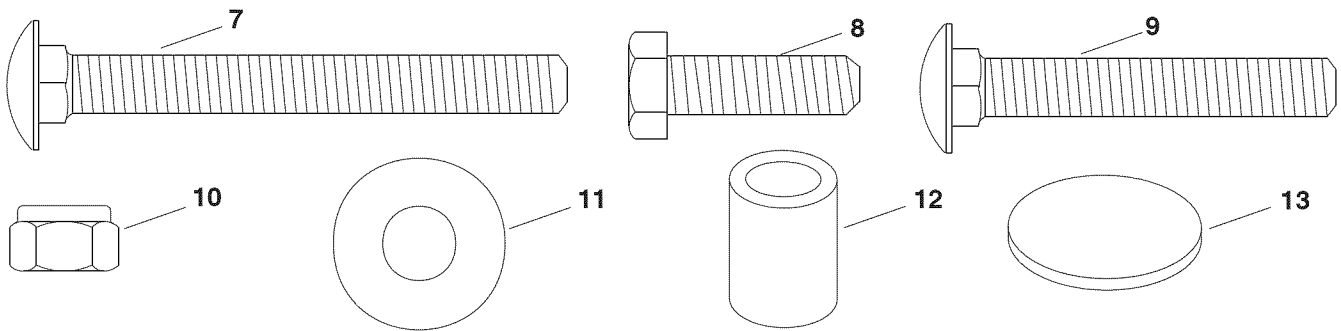
Use this kit to attach the 486.24230 Sun Shade to Sears tractors that have two front mower deck suspension brackets (2006 model year and earlier). Use these instructions in place of steps 1 through 9 in your Sun Shade owner's manual.

### CARTON CONTENTS



REF. NO.	PART NO.	QTY.	DESCRIPTION	REF. NO.	PART NO.	QTY.	DESCRIPTION
1	25303	1	Left Base Bracket	3	25304	2	Rear Base Support Bracket
2	25302	1	Right Base Bracket	4	49325	2	Base Leg Tube

### HARDWARE CHART

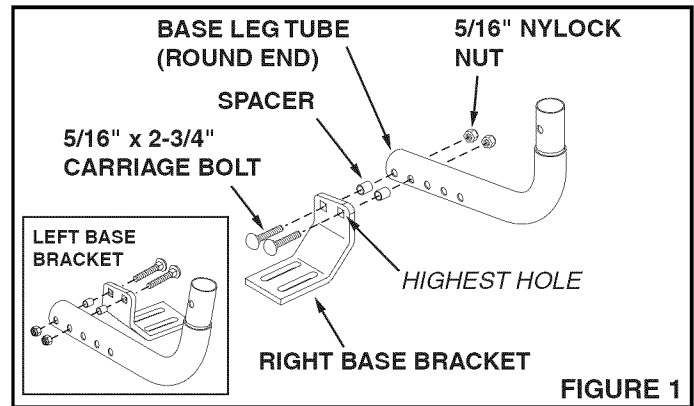


REF. NO.	PART NO.	QTY.	DESCRIPTION	REF. NO.	PART NO.	QTY.	DESCRIPTION
7	46594	4	Carriage Bolt, 5/16-18 x 2-3/4"	11	43081	2	Flat Washer, 5/16"
8	43063	2	Hex Bolt, 5/16-18 x 1"	12	23658	4	Spacer
9	44977	2	Carriage Bolt, 5/16-18 x 2"	13	48661	2	Adhesive Pad
10	47810	6	Nylock Nut, 5/16-18				

Sears, Roebuck and Co., Hoffman Estates, IL 60179 U.S.A.  
[www.sears.com/craftsman](http://www.sears.com/craftsman)

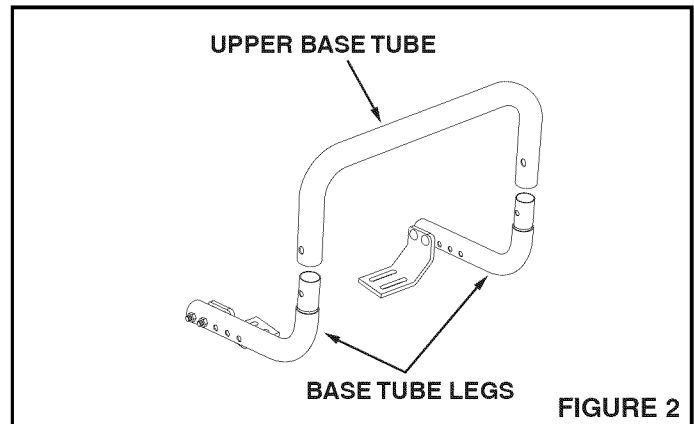
### STEP 1: (Figure 1)

Identify and position the right base bracket as shown. Attach the right base bracket to the front holes of a base leg tube. **Make only finger tight.** Repeat for the left base bracket.



### STEP 2: (Figure 2)

Insert the ends of the base leg tubes into the upper base tube (supplied with the Sun Shade).



### STEP 3: (Figure 3)

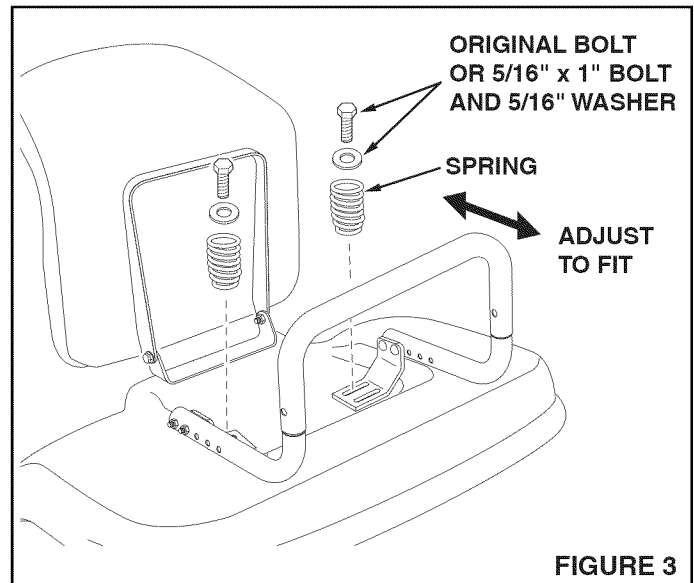
Raise the tractor seat and remove the springs and bolts from the rear fender

### STEP 4:

Place the base tube assembly onto the rear fender. Check for clearance with the seat lowered and the rear bagger (optional) attached. If needed, reposition the base brackets to a different set of holes in the base tubes.

### STEP 5: (Figure 3)

Attach the seat springs and the base brackets to the rear fender. On LT tractors use the bolts that you removed. On GT tractors, if the bolts removed were less than 1" long, use 5/16" x 1" bolts and 5/16" washers from the parts bag. Align the base leg tubes on the rear fender. **Tighten with moderate force.**



### STEP 6: (Figure 4)

If the base tubes rest down against the top of the fender, install the rear base support brackets. Attach an adhesive pad to the bottom of each bracket then attach the brackets to the appropriate holes in the base support tubes. Adjust the brackets to lift the base tubes above the fender, then tighten.

### STEP 7:

Tighten the bolts assembled in step 1.

### STEP 8:

Continue with step 10 in your Sunshade manual.

