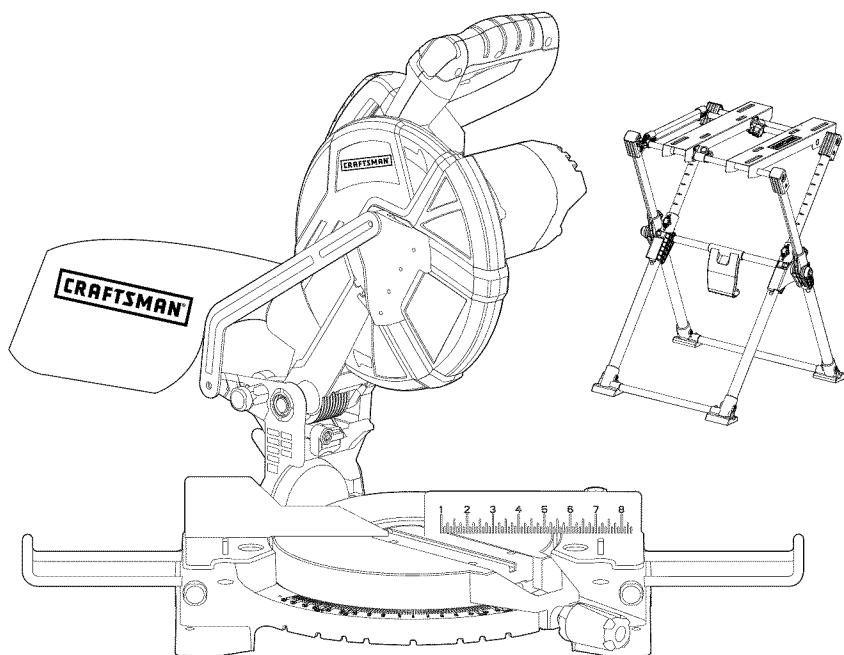


Operator's Manual

CRAFTSMAN[®]

10-in. COMPOUND MITER SAW and STAND COMBO

Model No. 320. 21228



▲ CAUTION! Read, understand and follow all Safety Rules and Operating Instructions in this Manual before using this product.

- WARRANTY
- SAFETY
- UNPACKING
- ASSEMBLY
- DESCRIPTION
- MAINTENANCE

Sears, Roebuck and Co., Hoffman Estates, IL 60179

www.craftsman.com

TABLE OF CONTENTS

Warranty	Page 2
Safety Symbols	Page 3
Safety Instructions	Pages 4-13
Unpacking	Pages 13-14
Description	Pages 15-18
Assembly	Pages 18-23
Adjustment	Pages 23-27
Operation	Pages 27-38
Maintenance	Pages 38-40
Troubleshooting	Pages 40-41
Parts List	Pages 42-47
Sears Repair Parts Phone Numbers	Back Cover

ONE YEAR FULL WARRANTY ON CRAFTSMAN TOOL


If this Craftsman tool fails to give complete satisfaction within one year from the date of purchase, return it to any Sears store or Parts & Repair Center or other Craftsman outlet in the United States for free repair (or replacement, if repair proves impossible).

This warranty does not include expendable parts such as lamps, batteries, bits, or blades.

This warranty applies for only 90 days from the date of purchase if this product is ever used for commercial or rental purposes

This warranty gives you specific legal rights, and you may also have other rights, which vary from state to state.

Sears, Roebuck and Co., Hoffman Estates IL 60179

 **WARNING:** Some dust created by using power tools contains chemicals known to the state of California to cause cancer and birth defects or other reproductive harm.

SAVE THESE INSTRUCTIONS!

READ ALL INSTRUCTIONS!

SAFETY SYMBOLS

The purpose of safety symbols is to attract your attention to possible dangers. The safety symbols and the explanations with them deserve your careful attention and understanding. The symbol warnings **do not**, by themselves, eliminate any danger. The instructions and warnings they give are no substitutes for proper accident prevention measures.

⚠ WARNING: Be sure to read and understand all safety instructions in this manual, including all safety alert symbols, such as “**DANGER,**” “**WARNING,**” and “**CAUTION,**” **before** using this miter saw and tool stand. Failure to following all instructions listed below may result in electric shock, fire, and/or serious personal injury.

SYMBOL MEANNING

⚠ SAFETY ALERT SYMBOL: Indicates DANGER, WARNING, OR CAUTION. May be used in conjunction with other symbols or pictographs.

⚠ DANGER: Failure to obey this safety warning **WILL** result in death or serious injury to yourself or to others. Always follow the safety precautions to reduce the risk of fire, electric shock and personal injury.

⚠ WARNING: Failure to obey this safety warning **CAN** result in death or serious injury to yourself or to others. Always follow the safety precautions to reduce the risk of fire, electric shock and personal injury.

⚠ CAUTION: Failure to obey this safety warning **MAY** result in death or serious injury to yourself or to others. Always follow the safety precautions to reduce the risk of fire, electric shock and personal injury.

DAMAGE PREVENTION AND INFORMATION MESSAGES

These inform user of important information and/or instructions that could lead to equipment or other property damage if not followed. Each message is preceded by the word “**NOTE:**” as in the example below:

NOTE: Equipment and/or property damage may result if these instructions are not followed.

The operation of any miter saw can result in foreign objects being thrown into your eyes, which can result in severe eye damage. Before beginning power tool operation, **ALWAYS** wear safety goggles or safety glasses with side shield and a full-face shield when needed. We recommend a Wide Vision Safety Mask for use over eyeglasses or standard safety glasses with side shield, available at Sears Stores or other Craftsman outlets.



SAFETY INSTRUCTIONS

⚠ WARNING: Be sure to read, understand and follow all Safety rules and operating instructions in this Manual before using this tool. Failure to do so may result in electric shock, fire and /or serious personal injury.

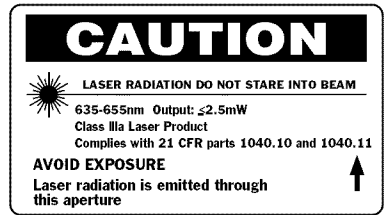
SAFETY PRECAUTIONS FOR LASERS

This Miter Saw has a built-in laser light. The laser is Class IIIA and emits output power of a maximum 2.5mW and 635-655nm wavelengths. These lasers do not normally present an optical hazard. However, **DO NOT** stare at the beam, as this can cause flash blindness.

⚠ CAUTION: The following label is on the tool. It indicates the location from which the saw emits the laser light. **BE AWARE** of the laser-light location when using. Always make sure that any bystanders in the vicinity of use are made aware of the dangers of looking directly into the laser.

- **Do not** remove or deface any product labels. Removing product labels increases the risk of exposure to laser radiation.
- **The laser beam can be harmful to the eyes.** Always avoid direct eye exposure. Do not look directly into the laser-beam-output aperture during operation. Do not project the laser beam directly into the eyes of others.
- **Turn the laser on only when making cuts.**
- The laser on the Miter Saw is not a toy. **Always** keep it out of the reach of children.
- The laser light emitted from this device **should never** be directed toward any person for any reason.
- **Be sure** that the laser beam is aimed at a workpiece (such as wood or a rough-coated surface) that does not have a reflective surface.
- **Do not** use on materials, such as sheet steel, that have shiny, reflective surfaces. The reflective surface could reflect the beam back at the operator. Be aware that laser light reflected off of a mirror or any other reflective surfaces can also be dangerous.
- **Always** turn the laser generator off when it is not in use. Leaving the tool on increases the risk of someone inadvertently staring into the laser's beam.
- **Always** wear laser-protective eyewear when working on or near reflective surfaces

⚠ CAUTION: always follow the instructions contained in this manual when using this laser. Use of this feature in any manner other than which is directed in this manual may result in a hazardous radiation exposure.



WORK AREA SAFETY

- **Keep your work area clean and well lit.** Do not leave tools or wood scraps on the saw while it is in operation. Cluttered workbenches and dark areas invite accidents
- **Do not operate power tools in explosive environments,** such as in the presence of flammable liquids, gases, or dust. Power tools create sparks that may ignite the dust or fumes.
- **Keep children and bystanders and visitors away** while operating a power tool. Distractions can cause you to lose control.
- **Make your workshop childproof** with padlocks and master switches. Lock tools away when they are not in use.
- **Make sure the work area has ample lighting** so you can see the work, and that there are no obstructions that will interfere with safe operation.

PERSONAL SAFETY

- **Know your power tool.** Read this operator's manual carefully. Learn the compound miter saw's applications and limitations, as well as the specific, potential hazards related to this tool.
- **Stay alert,** watch what you are doing, and use common sense when operating a power tool.
- **Do not** use a power tool while tired or under the influence of drugs, alcohol, or medication. A moment of inattention while operating power tools may result in serious personal injury.
- **Dress properly.** Do not wear loose clothing or jewelry. Pull back long hair. Keep your hair, clothing and gloves away from moving parts. Loose clothing or long hair can be caught in moving parts. Air vents often cover moving parts and should also be avoided.
- **Avoid accidental starting of tools.** Be sure switch is in "OFF" position before plugging the tool into a power source.
- **Remove** adjusting keys or blade wrenches before turning the tool "ON." A wrench that is left attached to a rotating part of the tool may result in personal injury.
- **Do not overreach. Keep proper footing and balance at all times.** Proper footing and balance enables better control of the tool in unexpected situations.
- **Always secure your work.** Use clamps or a vise to hold work whenever practical. It is safer than using your hand and frees both hands to operate the tool.
- **Use safety equipment.** Always wear eye protection. Dust mask, non-skid safety shoes, hard hat, or hearing protection must be used for appropriate conditions.
- **Never** stand on tool. Serious injury could occur if the tool is tipped or if the blade is accidentally contacted.

TOOL USE AND CARE SAFETY

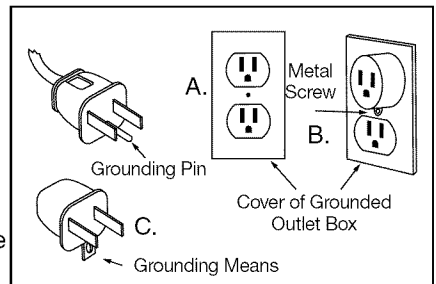
⚠ WARNING: Be sure to read, understand, and follow all safety rules and operating instructions in this manual before using this tool. Failure to do so may result in electric shock, fire, and/or serious personal injury.

- **Always** use clamps or other practical ways to secure and support the workpiece to a stable platform. Holding the work by hand or against your body is unstable and may lead to loss of control.
- **Do not** force the power tool. Use the correct tool for your application. The correct tool will do the job better and more safely at the rate for which it is designed.
- **Do not** use the tool if switch does not turn it “ON” or “OFF.” Any tool that cannot be controlled with the switch is dangerous and must be repaired.
- **Disconnect** the plug from the power source before making any adjustments, changing accessories, or storing the tool. Such preventive safety measures reduce the risk of starting the tool accidentally.
- **Never** leave the tool running. **Always** turn it off. **Do not** leave the tool until it comes to a complete stop.
- **Store** idle tools out of the reach of children and other untrained persons. Tools are dangerous in the hands of untrained users.
- **Maintain** tools with care. Keep cutting tools sharp and clean. Properly maintained tools with sharp cutting edges are less likely to bind and are easier to control.
- **Check** for misalignment or binding of moving parts, breakage of parts, and any other condition that may affect the tool’s operation. If damaged, have the tool serviced before using. Many accidents are caused by poorly maintained tools.
- **Use only** accessories that are recommended for the tool being used. Accessories that may be suitable for one tool may become hazardous when used on another tool.
- **Never** cut metals or masonry products with this tool. This miter saw is designed for use only on wood and wood-like products.
- **Keep** blade guards in place and in good working order.

ELECTRICAL SAFETY

⚠ WARNING: Do not permit fingers to touch the terminal or plug when installing or removing the plug from an outlet.

- **To reduce the risk of electric shock, double insulated tools are equipped with a polarized plug (one blade is wider than the other). This plug will fit in a polarized outlet only one way.** If the plug does not fit fully in the outlet, reverse the plug. If it still does not fit, contact a qualified electrician to install a polarized outlet. Do not change the plug in any way.



- **Double insulation** eliminates the need for the three-wire grounded power cord and grounded power-supply system. Applicable only to Class II (double-insulated) tools. This compound miter saw is a double insulated tool.

⚠ WARNING: Double insulation does not take the place of normal safety precautions when operating this tool.

- **Before** plugging in the tool, **be sure** that the outlet voltage supplied is within the voltage marked on the tool's data plate. **Do not use** "AC only" rated tools with a DC power supply.
- **Avoid** body contact with grounded surfaces, such as pipes, radiators, ranges, and refrigerators. There is an increased risk of electric shock if your body is grounded while using the tool.
- **Do not** expose power tools to rain or wet conditions or use power tools in wet or damp locations. Water entering a power tool will increase the risk of electric shock. This tool is intended for indoor use only.
- If operating a power tool in damp locations is unavoidable, always use a ground-fault circuit interrupter to supply power to your tool. Always wear electrician's rubber gloves and footwear in damp conditions.
- **Inspect** tool cords for damage. Have damaged tool cords repaired at a Sears Service Center. Be sure to stay constantly aware of the cord's location and keep the cord well away from the moving blade.
- **Do not** abuse the cord. Never use the cord to carry the tool by or to pull the plug from the outlet. Keep the cord away from heat, oil, sharp edges, and moving parts. Replace damaged cords immediately. Damaged cords increase the risk of electric shock.

EXTENSION CORDS

- **Use a proper extension cord.** Make sure that extension cords are in good condition. When using an extension cord, be sure to use a cord heavy enough to carry the drawn current needed by the compound miter saw. An undersized cord will cause a drop in line voltage, resulting in loss of power and overheating. The table on the following page shows the correct size to use, depending on the cord length and nameplate ampere rating. If in doubt, use the next heavier gauge: the smaller the gauge number, the heavier the cord.
- **Be sure extension cords are properly wired** and in good condition. Always replace a damaged extension cord or have it repaired by a qualified person before using it. Protect extension cords from sharp objects, excessive heat, and damp or wet areas.
- **Use a separate electrical circuit for power tools.** This circuit must not be less than #6 wire and should be protected with a time-delay fuse. Before connecting the tool to the power line, make sure the switch is in the "OFF" position and the electric current is rated the same as the current stamped on the motor nameplate; running at a lower voltage will damage the motor.

Recommended size of extension cords

Amperage rating		Volts	Total length of the extension cord			
		120v 240v	25ft. 50ft.	50ft. 100ft.	100ft. 200ft.	150ft. 300ft.
More than	Not more than	Minimum Gauge for the extension cord (AWG)				
0	6	18	16	16	14	
6	10	18	16	14	12	
10	12	16	16	14	12	
12	16	14	12	Not recommended		

⚠ WARNING: Ensure that the power-supply outlet in question is properly grounded. If not certain, have a licensed electrician check the outlet.

⚠ WARNING: To avoid electrical hazard, fire hazards, or damage to the tool, use proper circuit protection.

SAFETY SYMBOLS FOR YOUR TOOL

The label on your tool may include the following symbols:

V.....Volts

A..... Amps

Hz..... Hertz

W..... Watts

Min..... Minutes

~ Alternating current

== Direct current

n_0 No-load speed

⊠ Class II construction, Double Insulated

.../min.....Revolutions or Strokes per minute

⚠Indicates DANGER, WARNING or CAUTION:
ATTENTION! Your safety is involved!

SERVICE SAFETY

- **If any part of this saw is missing or should break, bend, or fall in any way; or should any electrical component fail to perform properly:** shut off the power switch, remove the plug from the power source, and have the missing, damaged or failed parts replaced before resuming operation.
- **Tool service must be performed only at a Sears Parts and Repair Center.** Service or maintenance performed by unqualified personnel could result in a risk of injury.

- **When servicing a tool, use only identical replacement parts. Follow instructions in the maintenance section of this manual.** Use of unauthorized parts or failure to follow maintenance instructions may create a risk of electric shock or injury.

SAFETY RULES FOR MITER SAWS

- **Know** your power tool. Read the operator's manual carefully. Learn the applications and limitations, as well as the specific potential hazards related to this tool. Following this rule will reduce the risk of electric shock, fire, or serious injury.
- **Always** firmly clamp or bolt your miter saw to a secure, stable workbench or table at approximately hip height.
- **Be sure** that all adjustments are secure before making a cut.
- **Always** make sure that the miter table and saw arm are locked in position **before** operating your saw. Lock the miter table by securely tightening the miter-lock knob. Lock the saw arm by securely tightening the bevel-lock knob.
- **Use the hold-down clamp** (included) to secure the workpiece whenever possible.
- **Be sure** that the blade path is free of nails. Always carefully inspect lumber and remove all nails before cutting.
- **Always** be sure that the blade clears the workpiece.
- **Never** start the saw with the blade touching the workpiece.
- **Always** allow the motor to come up to full speed before starting a cut.
- **Support** long workpieces when cutting to minimize the risk of the blade pinching or kickback. The saw may slip, walk, or slide while cutting long or heavy boards.
- **Never** use a length-stop on the free end of a clamped workpiece.
- **Never** hold onto or bind the free end of the workpiece in any operation.
- If a work clamp and a length stop are used together, they must both be installed on the **same side** of the saw table to prevent the saw from catching the loose end and kicking up.
- **Never** cut more than one piece at a time. Do not stack more than one workpiece on the worktable at a time.
- **Avoid** awkward operations and hand positions where a sudden slip could cause your hand to move into the blade. Always make sure that you have good balance. Never position your saw on the floor or operate it while in a crouched position.
- **Never** stand or have any part of your body in line with the path of the blade.
- **Only use** the correct blades. Use the right blade size, style, and cutting speed for the material being cut and the type of cut. **Do not** use blades with incorrect size holes. **Never** use blade washers or blade bolts that are defective or incorrect. The maximum blade capacity for this saw is 10 inches.

- **Always** keep blades clean, sharp, and with the sufficient set. Sharp blades minimize stalling and kickback.
- **Do not** use dull or damaged blades. Bent blades can break easily or cause kickback.
- **Do not** remove the saw's blade guards.
- **Never** operate the saw with any guard or cover removed. Make sure that all guards are operating properly before each use.
- **Never** hold with your hands a workpiece that is too small to be clamped. Always keep your hands clear of the "no hands" zone.
- **Never** perform any operation freehand. **Always** place the workpiece to be cut on the miter saw table and position it firmly against the fence as a backstop. **Always** use the fence.
- **Never** apply lubricants to the blade when it is running. **Never** use solvents to clean plastic parts. Solvents could possibly dissolve or otherwise damage the material.
- **Keep your hands away** from the cutting area. **Do not** reach under the material being cut or in the blade's cutting path with your fingers or hand for any reason. **Always** turn the power off before reaching into the cutting area.

⚠ WARNING: The blade continues to turn after the power to the saw is turned off. To avoid possible serious injury, after releasing the trigger switch to cut power, allow the saw blade to stop rotating before raising the blade out of the workpiece.

- **Never** reach behind, under, or within three inches of the blade and its cutting path with your hands or fingers for any reason.
- **Never**, for any reason, touch the blade or other moving parts during use.
- **Do not** turn the motor switch on and off rapidly. This could cause the blade to loosen, which could create a hazard. Should this ever occur, stand clear and allow the saw blade to come to a complete stop. Disconnect the saw from the power source and securely tighten the blade bolt.
- **Always** turn off the saw before disconnecting it to avoid accidental starting when reconnecting the saw to a power supply. **Never** leave the saw unattended while connected to a power supply.
- **Keep the motor air slots** clean and free of chips or dust. To avoid motor damage, the motor should be blown out or vacuumed frequently to keep sawdust from interfering with the motor ventilation.
- **Never** lift this tool by gripping the cutting handle or the miter fence. This may cause misalignment. Always carry saw by holding the base or carry by the carrying handle after you have locked the saw arm in the DOWN position.

⚠ WARNING: use of this product can generate dust containing chemicals known to cause cancer, birth defects or other reproductive harm. Some examples of these chemicals are:

- Lead from lead-based paints.

- Crystalline silica from bricks and cement and other masonry products.
- Arsenic and chromium from chemically-treated lumber.

Your risk from these exposures varies, depending upon how often you do this type of work. To reduce your exposure to these chemicals:

- Work in a well-ventilated area.
- Work with approved safety equipment, such as those dust masks that are specially designed to filter out microscopic particles.

SAFETY RULES FOR THE USE AND OPERATION OF THE MITER SAW STAND

- **Always** set up the miter saw stand on a hard, dry, flat, stable surface.
- **Be sure** that the miter saw stand is fully opened and locked into the proper set-up position before mounting the miter saw to the tabletop assembly.
- **Follow all set-up instructions** in this operator's manual.
- **Always properly attach** the miter saw to the stand. Do not attempt to use the miter saw stand with the miter saw until the tool is bolted securely to the tabletop assembly according to the instructions this operator's manual.
- When using this miter saw stand with a miter saw that has mounting holes that **do not line up** with the pre-slotted holes in the miter saw stand's tabletop assembly, mount the power tool to a plywood mounting board (sold separately), then mount the plywood board and the miter saw to the tabletop assembly.
- **Always follow all safety rules** and instructions in the operator's manual of the miter saw when operating a miter saw that is mounted to this stand.
- **Always be sure that there is sufficient space** around the stand to safely operate the miter saw when setting up the miter saw stand and the miter saw.
- **Always check the miter saw stand and miter saw for damaged parts.** Before further use of the stand or the tool, if any part is damaged, it should be carefully checked to determine if it will operate properly and perform its intended function.
- **Keep hands away** from the cutting area.
- **Always use clamps** or a vise to hold the workpiece, when practical. Using clamps or a vise to hold the workpiece is safer than using a hand. It also frees up both hands to operate the miter saw.
- **Avoid** awkward operations and hand positions where a sudden slip could cause a hand to move into the cutting area of the tool.
- **Never reach** into the cutting area of a tool.
- **Never sit, stand, or climb on this stand.** It is not designed or constructed to accommodate this type of use. It could tip over, causing serious injury.
- **Do not store any items above** or near the miter saw stand, especially when it is set-up with a power tool attached, or allow anyone to sit, climb or stand on the stand.
- **Never use this miter saw stand as a ladder or scaffold.**

ADDITIONAL RULES FOR SAFE OPERATION

⚠ WARNING: Use of this tool can generate and/or disburse dust, which may cause serious and permanent respiratory or other injury. Always use NIOSH/ OSHA approved respiratory protection appropriate for the dust exposure. Direct particles away from face and body.

- **Know** your power tool. Read operator's manual carefully. Learn the applications and limitations, as well as the specific potential hazards related to this tool. Following this rule will reduce the risk of electric shock, fire, or serious injury.
- **Always** wear safety glasses or eye shields when using this saw. Everyday eyeglasses have only impact-resistant lenses; they are **not** safety glasses. All users and bystanders **must** wear eye protection that conforms to ANSI z87.1
- **Protect** your lungs. Wear a face mask or dust mask if the operation is dusty.
- **Protect** your hearing. Wear appropriate personal hearing protection during use. Under some conditions and duration of use, noise from this product may contribute to hearing loss.
- **All visitors and bystanders must** wear the same safety equipment that the operator of the saw should wear.
- **Inspect** the tool cords periodically and, if damaged, have them repaired at your nearest Sears Service Center or other authorized service facility. **Be aware** of the cord's location when operating the saw.
- **Always** check the tool for damaged parts. Before further use of the tool, a guard or other part that is damaged should be carefully checked to determine if it will operate properly and perform its intended function. Check for misalignment or binding of moving parts, breakage of parts, and any other condition that may affect the tool's operation. A guard or other part that is damaged should be properly repaired or replaced at a Sears Service Center.
- **Inspect** and remove all nails from lumber before sawing.
- **Save these instructions.** Refer to them frequently and use them to instruct others who may use this tool. If someone borrows this tool, make sure they have these instructions also.

GLOSSARY OF TERMS FOR WOODWORKING

- **Arbor:** The revolving shaft on which a blade or cutting tool is mounted.
- **Arbor Lock:** Allows the user to stop the blade from rotating while tightening or loosening the arbor screw during blade replacement or removal.
- **Bevel Cut:** A cutting operation made with the blade at any angle other than 90° to the miter table.
- **Chamfer Cut:** A cut removing a wedge from a block of wood so that the end (or part of the end) is angled at other than 90°.
- **Compound-Miter Cut:** A cut made using both a miter angle and a bevel angle at the same time.
- **Cross Cut:** A cutting operation made across the grain of the workpiece.

- **Flange:** A ring or collar on the end of a spindle or arbor that permits other objects, such as a blade, to be attached to it.
- **Freehand Cut:** Performing a cut without using a fence, miter gauge, fixture, work clamp, or other proper device to keep the workpiece from twisting or moving during the cut. **Do not** perform any operation free-hand. Use a clamp or vise wherever possible.
- **Gum:** A sticky, sap-based residue from wood products.
- **Kerf:** The material removed by the blade in a through cut or the slot produced by the blade in a non-through or partial cut.
- **Kickback:** A hazard that can occur when the blade binds or stalls and throws the workpiece back toward operator.
- **Miter Cut:** A cutting operation made with the blade at any angle other than 90° to the fence.
- **No Hands Zone:** The area between the marked lines on the left and right side of the miter-table base. This zone is identified by No Hands Zone symbols inside the marked lines on the miter table base.
- **Non-Through Cuts:** Any cutting operation where the blade does not extend completely through the thickness of the workpiece.
- **Resin:** A sticky, sap-based substance that has hardened.
- **Revolutions Per Minute (RPM):** The number of turns completed by a spinning object in one minute.
- **Saw Blade Path:** The area over, under, behind, or in front of the blade, as it applies to the workpiece; that area which will be or has been cut by the blade.
- **Set:** The distance that the saw blade tooth is bent (or set) outward from the face of the blade.
- **Throat Plate:** A plate inserted in the Miter Saw's table that allows for blade clearance.
- **Through Sawing:** Any cutting operation where the blade cuts completely through the thickness of the workpiece.
- **Workpiece or Material:** The item on which the cutting operation is performed. The surfaces of a workpiece are commonly referred to as faces, ends, and edges.

UNPACKING

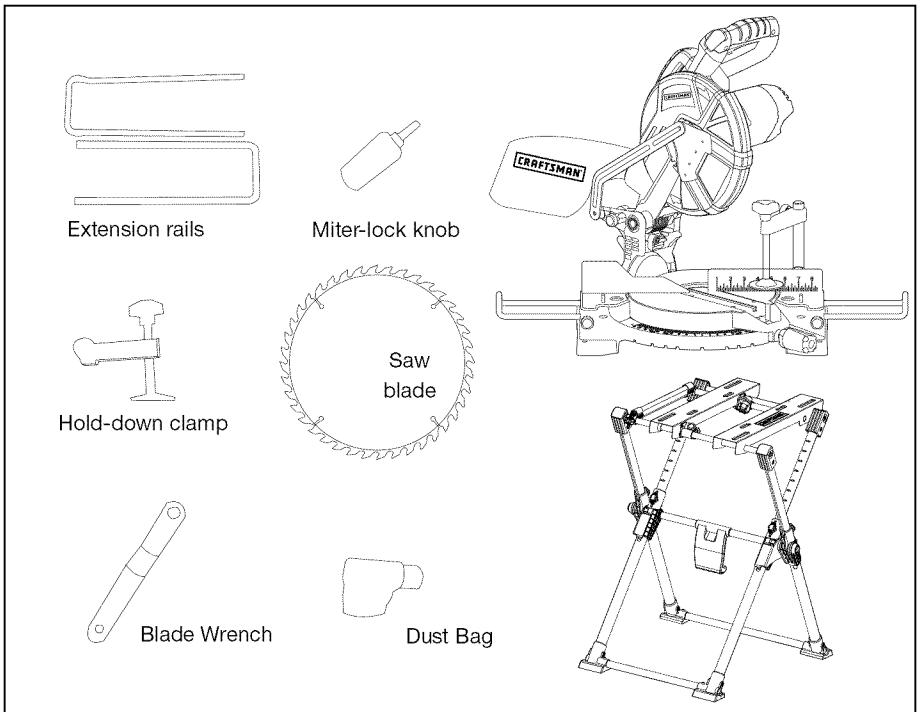
⚠ WARNING: Your saw should never be connected to the power source when you are assembling parts, making adjustments, installing or removing blades, cleaning, or when it is not in use. Disconnecting the saw will prevent accidental starting, which could cause serious personal injury.

1. Open the carton and remove the saw by lifting it with its carrying handle.

⚠ IMPORTANT: **Do not lift the miter saw** by the cutting handle, as this will cause misalignment of the saw arm to the saw base.

2. After lifting the saw out of the carton, place it on a flat, stable work surface with sufficient space to permit inspection of the saw.
3. The miter saw has been shipped with the saw arm locked in the DOWN position. To release the saw arm, press down slightly on the top of the saw arm and pull out the locking pin.
4. The saw arm is spring operated: hold the arm and allow it to rise slowly. The saw arm will automatically lift up and stay in the UP position to permit easy placement of material in the cutting area.
5. When the saw is not in use, the saw arm should be locked in the DOWN position. To lock the saw arm for transporting and for storage, press and hold down the saw arm to the lowest position, then push the locking pin in.
6. Inspect the saw carefully to make sure that no breakage or damage has occurred during shipping.
7. Check to make certain that all parts are accounted for. If any of the items listed are missing, or any breakage or damage has occurred, return the saw to your nearest Sears store or Craftsman outlet to have the saw replaced.

CARTON CONTENTS/LOOSE PARTS



DESCRIPTION

KNOW THE COMPOUND MITER SAW (Fig. 1)

NOTE: Before attempting to use your saw, familiarize yourself with all of the features, operating instructions, and safety requirements.

Your miter saw has a precision-built electric motor which should be connected only to a 120-volt, 60-Hz AC ONLY power supply (normal household current). Do not operate on direct current (DC): the large voltage drop will cause a loss of power and the motor will overheat. If the saw does not operate when plugged into a correct 120-volt, 60-Hz AC ONLY outlet, check the power supply. The saw comes with an 8-ft. power cord (no adapter needed).

This Compound Miter Saw has the following features:

15.0 Amp motor: Provides power and torque for fast cuts.

On/Off trigger switch and safety lock-off button

LaserTrac cutting guide: provides a clear indication of the line to be cut.

Laser On/Off switch

Easy-to-read bevel and miter scales: miter cuts from 0° to 46° left and right with positive stops at 0°, 15°, 22.5°, 31.6°, and 45° for precise cuts. Bevel cuts from 0° to 46° left.

Ergonomically designed handle with molded-in comfort grip for maximum control and comfort when cutting.

3 Craftsman® 10-in blades: 80-tooth, 100-tooth, and 120-tooth blades for smooth cutting in all woods and wood-base materials.

Die-cast aluminum upper blade guard, table, fence, and base: lightweight and durable.

Project ruler etched on right fence: for quick reference.

Hold-down clamp: mounts on left or right side of fence to securely clamp workpiece.

Durable, high-impact-plastic lower blade guard: allows view of workpiece and laser cutting line.

Dust-extraction port: attaches to dust bag with the factory-installed 1-1/4" adapter and to shop vacuum (not included)

Easy-to-use knob and lever: for quick miter, bevel, and compound-miter adjustments; no tools are needed.

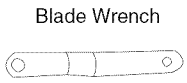
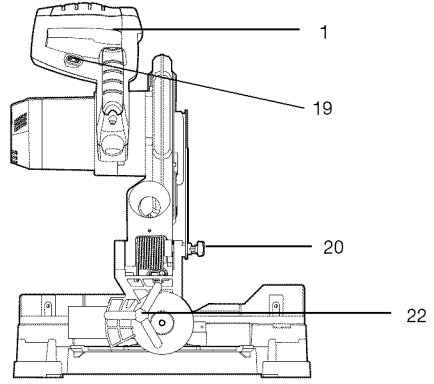
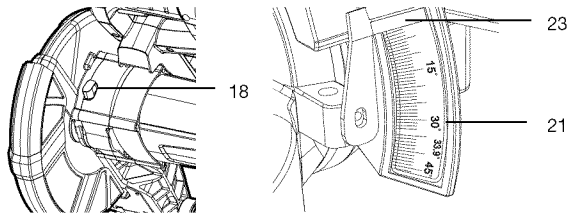
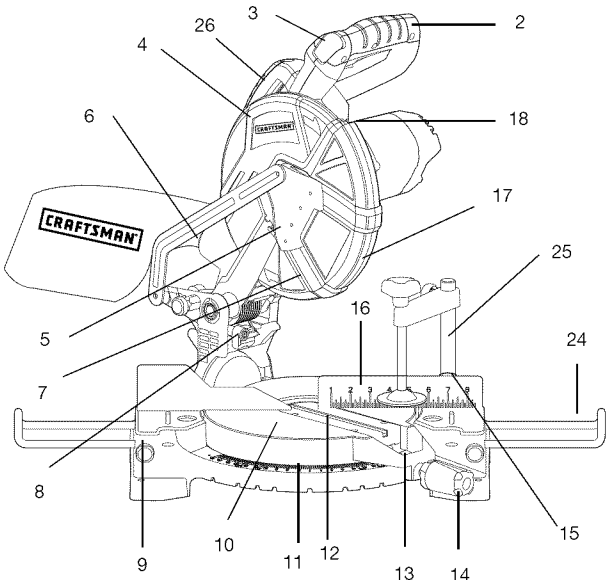
Permanently lubricated 100% ball bearings for long tool life and smooth operation. **Saw arm locking pin:** locks saw arm in **down** position when pushed in. Pull locking pin out to release saw arm.

Arbor-lock button: stops arbor from rotating for easy blade changes.

⚠ WARNING: Do not allow familiarity with your saw to make you careless. Remember that a careless fraction of a second is sufficient to inflict serious injury.

Fig. 1

1. ON/OFF trigger switch
2. Horizontal, rubberized D-handle
3. Safety lock-off button
4. Upper blade guard
5. Arbor-bolt guard
6. Dust-extraction port
7. Saw blade
8. Laser aperture
9. Mounting holes
10. Miter table
11. Miter-angle scale
12. Throat plate
13. Miter-angle indicator
14. Miter-lock knob
15. Clamp mounting holes
16. Fence
17. Lower blade guard
18. Arbor-lock button
19. Laser ON/OFF switch
20. Saw-head locking pin
21. Bevel-angle scale
22. Bevel lock
23. Bevel-angle indicator
24. Extension rails
25. Hold-down clamp
26. Carry handle



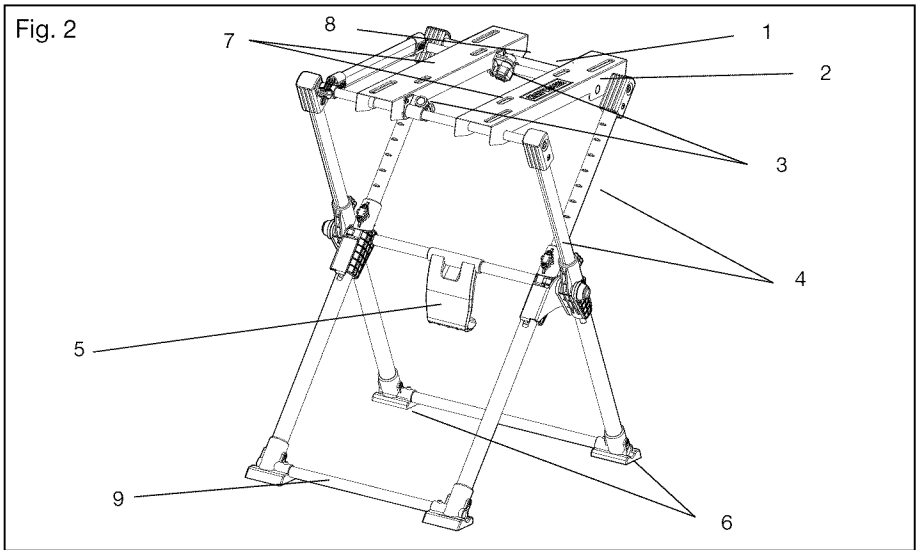
PRODUCT SPECIFICATIONS	
Supply power	120V, 60Hz
Rated current	15A
No load speed	5500 RPM
Saw blade size	10" (25.4 cm.) (80, 100, 120-tooth)
Miter angle	46° left to 46° right
Bevel angle	46° left

CUTTING CAPACITIES				
Type of cut	Angle Setting		Maximum	
	Miter	Bevel	Thickness	Width
Miter cut	45°	0°	2-5/8 in.	3-1/2 in
Bevel cut	0°	45°	1-1/2 in.	5-1/2 in
Compound cut	45°	45°	1-1/2 in.	3-1/2 in
Cross Cut	0°	0°	2-5/8 in.	5-1/2 in

NOTE: All cutting specifications will vary by blade type used, actual lumber size, and compound miter saw. All dimensions are approximate.

KNOW THE MITER SAW STAND (Fig. 2)

Before attempting to use the Miter Saw Stand, become familiar with all of its operating features and safety requirements

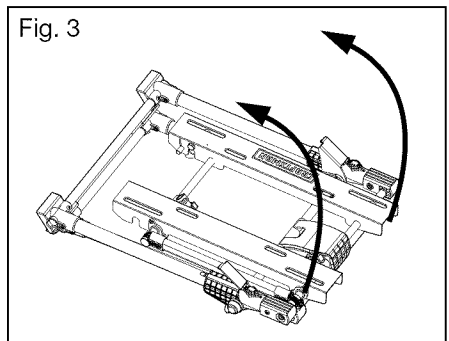


- | | |
|-------------------------------------|----------------------------------|
| 1. Spring-Loaded Locking Pin | 6. Rubber Foot Pads |
| 2. Notch | 7. Tabletop Assembly |
| 3. Tabletop-Assembly Clamping Knobs | 8. Table Assembly Supporting Bar |
| 4. Chrome Extension Bars | 9. Base Support Bar |
| 5. Carrying/Locking Handle | |

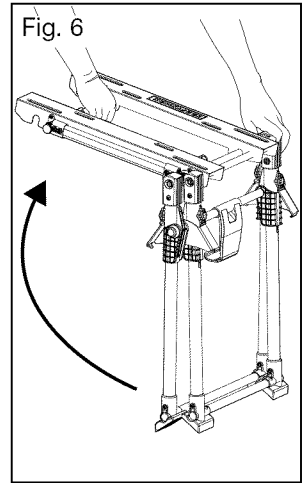
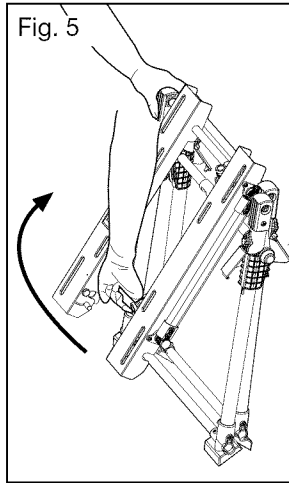
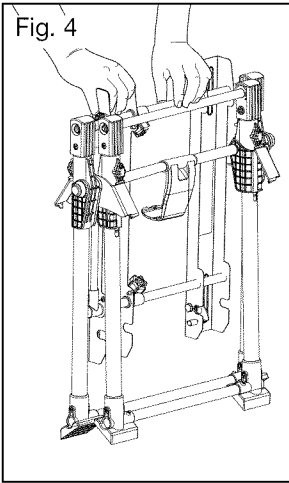
ASSEMBLY

UNFOLDING AND SETTING UP THE MITER SAW STAND

1. After taking the Miter Saw Stand out of carton, place it flat on the floor, as shown (Fig. 3).
2. Hold the red Locking/Carrying Handle (5) and the right side of the Table Assembly (7), and unlock the red Locking/Carrying Handle (5) by pulling the handle towards the operator until the stand is positioned as shown in Fig. 4.



3. Grasp the other bar and lift the Tabletop Assembly, as shown in Fig. 5.

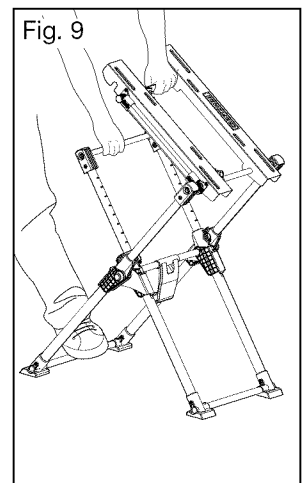
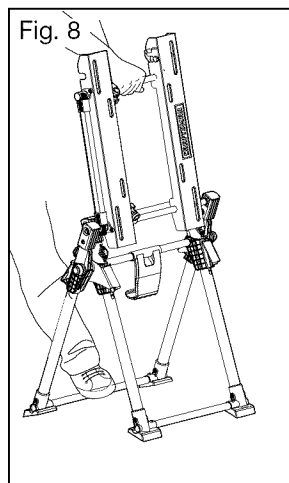
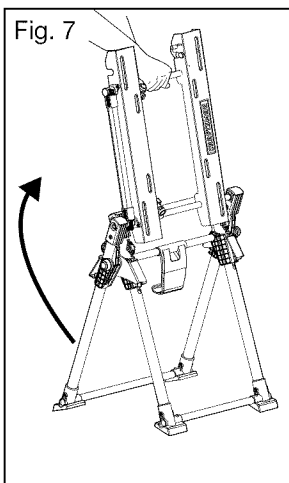


4. Continue to lift the Tabletop Assembly while the Base remains in place on the floor, as shown in Fig. 6.

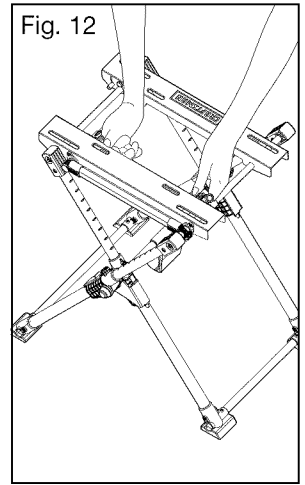
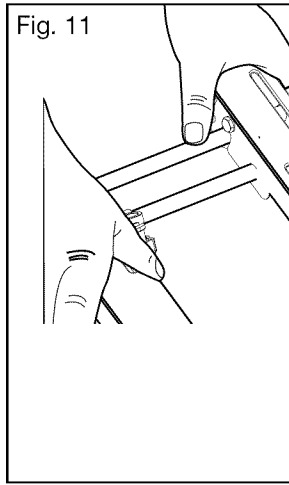
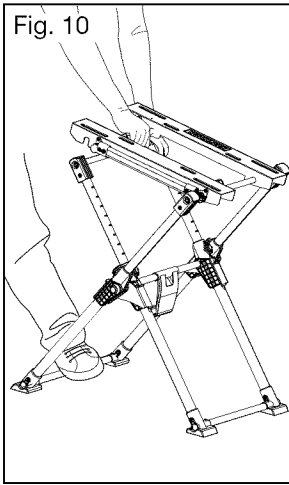
5. Continue to lift the Tabletop Assembly until it is completely vertical (Fig. 7).

6. Hold the Base Bar Legs (as shown) by placing a foot on the Base Bar. Pull the Tabletop Assembly straight up until the Chrome Extension Bars attached to the Tabletop Assembly (4) are fully extended. Be sure that the Chrome Extension Bars lock in place (Fig. 8).

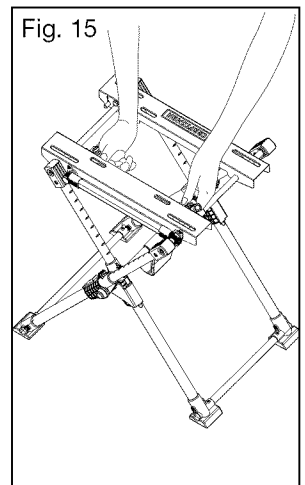
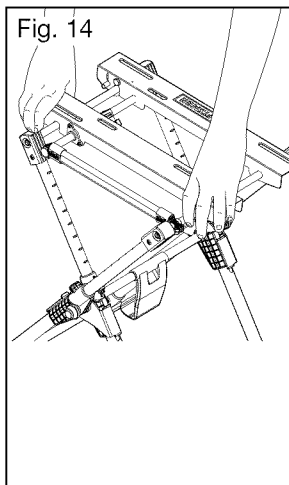
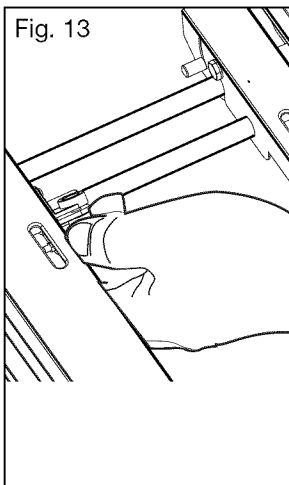
7. With one foot still on the Base Bar, grasp the Support Bar (8) and pull it up until the Chrome Extension Bars are also fully extended and lock in place. Pull the legs further apart to form an "X" (Fig. 9).



8. With one foot still on the Base Bar, lower the Tabletop Assembly onto the Support Bar (8), while making sure that the Support Bar is placed into the Notch (Fig. 10).
9. Pull the Spring-Loaded Locking Pin back, so that the Support Bar and Tabletop groove fit together securely, and then release the Spring-Loaded Locking Pin so that the Tabletop locks into position (Fig. 11).
10. To change the width of the Tabletop Assembly working area, turn the two Clamp Knobs clockwise to unlock them, as shown in Fig. 12.

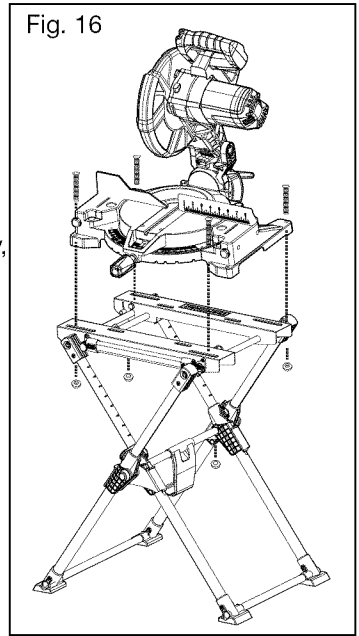


11. After loosening the Clamp Knobs (Fig. 13), adjust the Tabletop Assembly to the desired position to mount the power tool, as shown in Fig. 13 and 14.
12. Be sure that, after adjusting the width of the Tabletop Assembly, the two Clamping Knobs are locked: turn them until they are securely tightened (Fig. 15).



MOUNTING THE MITER SAW TO THE STAND (Fig. 16)

1. Check the Miter Saw for the number of mounting holes and their locations.
2. Choose the corresponding hole locations on the Tabletop Assembly of the Miter Saw Stand.
3. Change the width of the Tabletop Assembly, if necessary, to accommodate the Miter Saw. To change the width of the Tabletop Assembly, see Figs. 10 through 15 in Unfolding and Setting up the Miter Saw Stand.
4. Place the Miter Saw on the Tabletop Assembly, align the mounting holes in the Miter Saw with the holes on the Tabletop Assembly, and use the bolts and nuts (included) to connect them, as shown in Fig. 16.
5. When using this miter saw stand with a miter saw that has mounting holes that do not line up with the pre-slotted holes in the Tabletop Assembly, mount the power tool to a plywood mounting board (sold separately), then mount the plywood board and the miter saw to the Tabletop Assembly.



FOLDING THE MITER SAW STAND FOR STORAGE (Refer to Figs. 3 to 15)

1. Remove the Miter Saw from the Miter Saw Stand.
2. Loosen the Miter Saw Stand Clamping Knobs (Fig. 15).
3. Fully extend the Tabletop Assembly and re-tighten the Clamping Knobs.
4. Pull back on the Spring-Loaded Locking Pin and remove the Support Bar from the Tabletop groove (Fig. 11).
5. With one foot on the Base Bar, raise the Tabletop Assembly to the upright, vertical position.
6. Close up the legs of Miter Saw Stand and push down on the Chrome Extension Bars until they are fully lowered.
7. Lower the Tabletop Assembly.
8. Use the yellow Locking/Carrying Handle to join the Tabletop Assembly and Legs together.

⚠ WARNING: To reduce the risk of injury, always unplug a tool before attaching or removing accessories or making adjustment. Only use specifically recommended accessories.

SETTING UP THE MITER SAW

Installing the dust bag (see Fig. 17)

Place the bag's neck opening around the dust-extraction port.

Emptying the dust bag The dust bag is equipped with a zipper to make it easy to empty the bag. Remove the dust bag from the dust extraction port, hold it over a suitable receptacle, and unzip the bag to empty its contents.

Use with a shop vacuum An adapter (adapter sold separately) permits a shop vacuum to be attached to the dust-extraction port.

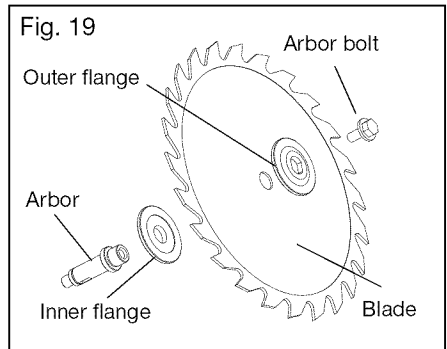
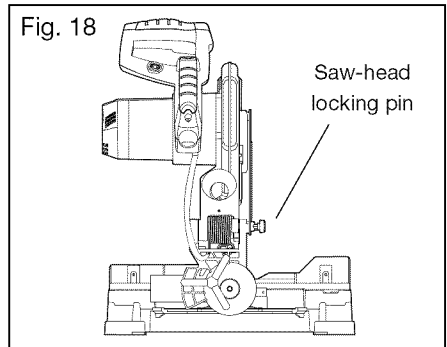
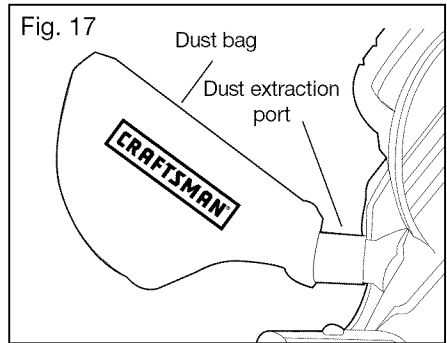
Releasing and locking the saw head

1. Gently press and hold down the saw head. Pull out the Saw-head locking pin to release the saw head. The saw head should freely move up and down (see Fig. 18).
2. Place the saw head at the lowest position. Insert the Saw-head locking pin to lock the saw head for transporting and storage.

Removing the blade (see Fig. 19)

⚠ WARNING: To reduce the risk of injury, always unplug the tool before removing and installing a blade.

1. Unplug the saw.
2. Release and raise the saw head.
3. Remove the upper screw on the arbor-bolt guard (Fig. 1, item 5) by turning it counter-clockwise with a screwdriver.
4. Lift and hold up the lower blade guard (Fig. 1, item 17) and rotate the arbor-bolt guard to expose the threaded arbor bolt.
5. Press and hold the arbor-lock button (Fig. 1, item 18) then rotate the blade with the blade wrench (included) while depressing the arbor-lock button until the blade is locked in position.
6. Use the wrench to turn the arbor bolt clockwise and remove the arbor bolt.
7. Remove the outer flange and the blade. Wipe the flanges and the arbor to remove any dust and debris.



Installing the blade

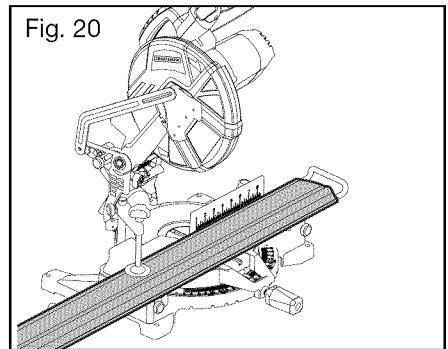
1. Unplug the saw.
2. Ensure that the inner flange is properly installed.
3. Match the arrow on the blade with the arrow on the upper blade guard. Make sure that the blade teeth are pointing downward. Install the selected blade by sliding the blade into the upper blade guard and then placing the blade into position on the arbor.
4. Install the outer flange.

- ▲ WARNING:** Make sure the flat side of the flange is placed against the blade.
5. Press and hold the arbor-lock button and use the wrench supplied to turn the arbor bolt counter-clockwise until the lock engages. Securely tighten the arbor bolt.
 6. Rotate the arbor-bolt guard into position, and use the wrench to securely tighten the bolt by turning it clockwise. Remove and store the wrench in a safe place.
 7. Make sure that the arbor-lock button is released, so that the blade will rotate freely.
 8. Lower the saw head, and check the clearance between the blade and the miter table. The blade should rotate freely.

Installing extension rails

The extension rails support long workpieces during cutting operations. (Fig. 20)

1. Insert both ends of an extension rail through the holes on the outside of the Miter Saw base.
2. Tighten the knob that locks the extension rail in place. Make sure that the extension rails do not move.



ADJUSTMENTS

▲ WARNING: To avoid possible injury, disconnect the tool's plug from the power source before performing any assembly, adjustment, or repair.

▲ WARNING: Do not use thin-kerf blades. Thin-kerf blades can deflect and contact the guard, which can cause injury to the operator.

ADJUSTING THE BLADE

Squaring the blade to the fence (Fig. 21 and Fig. 22)

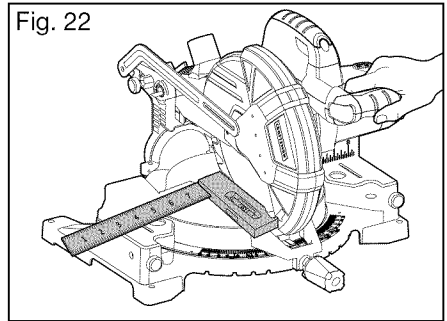
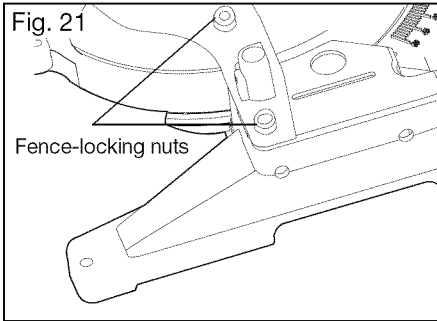
▲ WARNING: Failure to unplug your saw could result in accidental starting, causing serious injury.

1. Unplug the saw.
2. Set the bevel and miter angles to 0°

3. Lower the saw arm and lock it into the DOWN position.
4. Using a square, place the heel of the square against the blade, and the rule of the square against the fence.

NOTE: Be sure to rest the square against the body of the blade and not against the teeth of the blade.

5. If the blade is not 90° to the fence, loosen the four fence-locking nuts. Adjust the fence 90° to the blade. When blade is 90° square to fence, re-tighten the two fence-locking nuts.



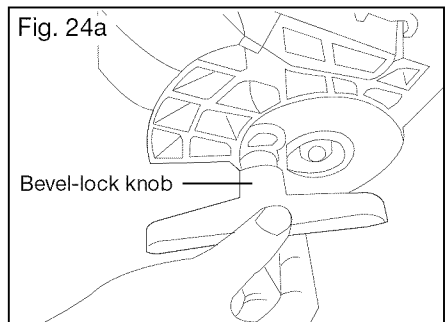
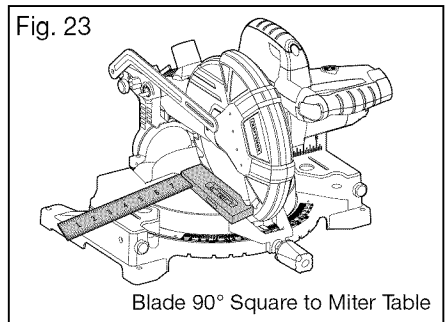
SQUARING THE BLADE TO THE MITER TABLE: 0° Bevel, 0° Miter
(Fig. 23 and Fig. 24)

⚠ WARNING: Failure to unplug your saw could result in accidental starting causing serious injury.

1. Unplug the saw.
2. Set the bevel and miter angle scales to 0° and lock them in place.
3. Lower the saw arm and lock it into the DOWN position.
4. Place a square on the miter table with the rule against the table and heel of the square against the saw blade.

NOTE: Be sure to rest the square against the body of the blade and not against the teeth of the blade.

5. If the blade is not 90° square with the miter table, perform steps 6 and 7, below.
6. Loosen the bevel-lock knob, turn it counterclockwise, square the blade to the table, and pull out the bevel 0°locking bolt; you may need to move the saw arm left or right by hand. (Fig. 24)



7. When the angle is set, engage the lock bolt and tighten the bevel-lock knob.

ADJUSTING THE BLADE TO THE MITER TABLE: 45° Bevel, 0° MITER (Fig. 25 and Fig. 26)

⚠ WARNING: Failure to unplug your saw could result in accidental starting causing serious injury.

1. Unplug the saw.
2. Raise the saw arm.
3. Set the bevel-angle scale to 45°. The miter scale should be on 0°. Lower and lock the saw arm into the DOWN position.
4. Place a square on the miter table with the rule against the table and heel of the square against the saw blade.

NOTE: Be sure to rest the square against the body of the blade and not against the teeth of the blade.

5. If the blade is not 45° square with the miter table, perform steps 6 through 8.
6. Loosen the 45° lock nuts with a hex wrench.
7. Loosen the bevel-lock knob, turn it counterclockwise, and adjust the blade to 45° by adjusting the set screws clockwise or counterclockwise with the hex wrench. You may need to move the saw arm left or right by hand while turning the set screw.

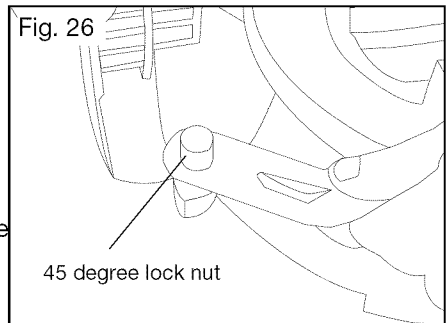
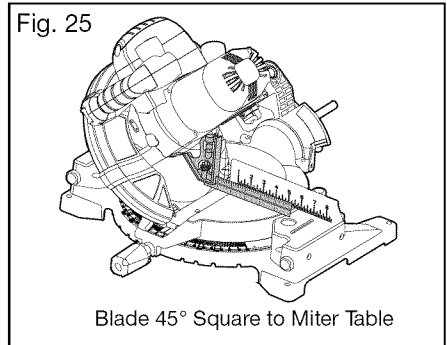
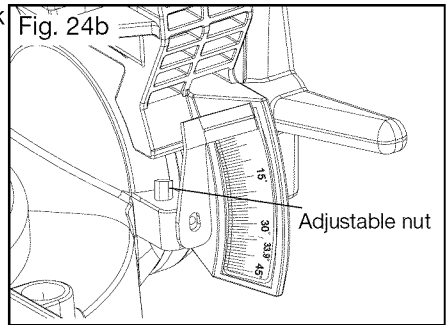
8. When the angle is set, tighten the set screws and the bevel-lock knob.

Miter adjustment

1. Unplug the saw.

⚠ WARNING: Failure to unplug your saw could result in accidental starting causing serious injury.

2. Lock the saw head in the DOWN position, loosen the miter-lock knob, and depress the miter-lock lever.
3. Hold the cutting handle firmly to rotate the miter table to any desired angle. The most common angle settings have positive stops: 0°, 15°, 22.5°, 31.6°, and 45°.
4. Tighten the miter-lock knob and release the saw head.

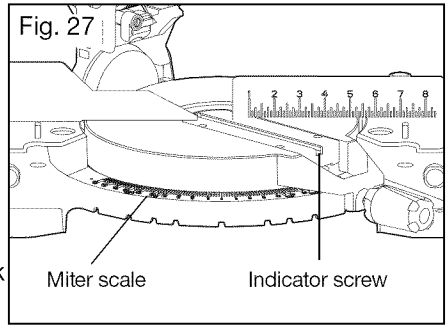


Miter-angle indicator adjustment (if necessary)

1. Unplug the saw.

⚠ WARNING: Failure to unplug your saw could result in accidental starting causing serious injury.

2. Place the miter table at the zero position, making sure the miter-lock knob is securely tightened.
3. Loosen the miter-angle indicator screw and adjust the indicator to the “0” mark on the miter scale (see Fig. 27).
4. Tighten the miter-angle indicator screw.

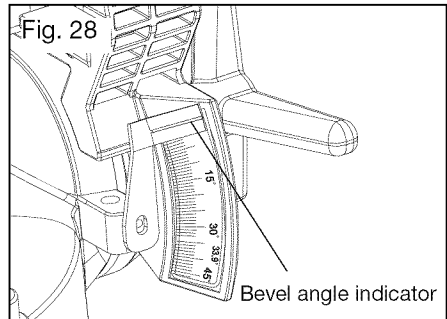


Bevel adjustment

1. Unplug the saw.

⚠ WARNING: Failure to unplug your saw could result in accidental starting causing serious injury.

2. Loosen the bevel lock (Fig. 28) by turning it counter-clockwise
3. Tilt the saw head to the desired angle as indicated on the bevel scale. The blade can be positioned at any angle, from a 90° straight cut (0° on the scale) to a 46° left bevel.
4. Tighten the bevel lock to secure the saw head.

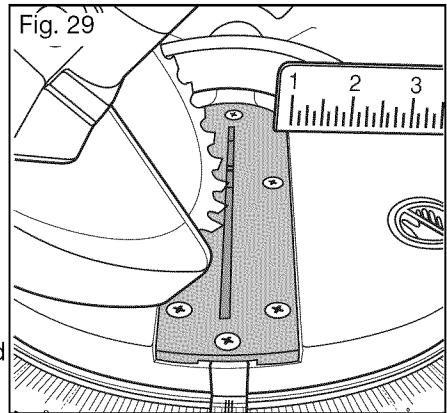


THROAT PLATE SLOT (Fig. 29)

The throat plate was cut (slotted) at the factory for a 0° bevel/miter cut.

The first cut you will make with the saw will be to increase the slot in the throat plate by setting the bevel scale to 46° and making a cut. See the Operation section of this manual for cutting instructions.

⚠ WARNING: Read all operating instructions and warnings before performing this cut to avoid injury.



PIVOT ADJUSTMENTS

NOTE: These adjustments were made at the factory, and under normal circumstances do not require readjustment.

Saw-Arm Travel Pivot Adjustment:

Your saw arm should rise (travel) completely to the up position without assistance.

⚠ WARNING: To avoid risk of personal injury, if your saw arm does not rise by itself or if there is play in the pivot joints, have your saw serviced at a Sears Service Center before using.

Bevel-Pivot Adjustment:

Your miter saw arm should bevel easily by loosening the bevel-lock knob and tilting the saw arm to the left.

⚠ WARNING: To avoid risk of personal injury, if movement is tight or if there is play in the bevel pivot, have your saw serviced at a Sears Service Center before using.

OPERATION

⚠ WARNING: To reduce the risk of injury, wear safety goggles or glasses with side shields.

⚠ WARNING: Before each use, check that the blade is free from cracks, loose teeth, missing teeth, or any other damage. Do not use if damage is noticed or suspected.

⚠ WARNING: Always wait for the blade to stop completely, and unplug the tool before changing accessories or making adjustment.

Moving the Miter Saw

1. Lift the Miter Saw only when the saw is **OFF**, the plug is removed from the power-supply outlet, and the saw head is locked in the DOWN position.
2. To avoid damage, **never** carry the Miter Saw by the cutting handle.
3. **Always** carry the saw by the base or the Carry Handle.

Mounting the Miter Saw

To prevent the tool from sliding, falling, or tipping during operation, the Miter Saw can be mounted to a supporting surface, such as a level, sturdy worktable or bench.

1. Unplug the saw.
2. Position the Miter Saw on a table or workbench to allow adequate room for crosscutting long workpieces.
3. To mount the Miter Saw, insert fasteners through the four holes in the base of the Miter Saw and use the fasteners to secure the saw to the table or bench.

Selection of Desired Angle

Follow the steps in "MITER ADJUSTMENT" and "BEVEL ADJUSTMENT."

⚠ WARNING: The throat plate (see Fig. 1, item 12) is factory-cut only for a 0° bevel cut; the first cut made with the tool in the 46° bevel position will create a wider slot on throat plate.

⚠ WARNING: Always make sure that the arbor-lock button is released, so that the blade will rotate freely.

⚠ WARNING: Make sure that the Saw-head locking pin is loose and that the saw head moves freely up and down. Ensure that all clamps and locks are tight,

in place, and that there is no excessive movement of Miter Saw parts.

Selection of workpiece

1. Be cautious with pitchy, knotty, wet, or warped workpieces. These materials are likely to create pinching conditions.
2. Workpieces that bow and pinch may result in the saw blade kicking back.
3. Before cutting, inspect for and remove any nails from the workpiece.
4. This tool is recommended only for cutting wood and wood-like materials.

Support the workpiece

⚠ WARNING: Never use the help of another person as a substitute for a table extension or as support for a workpiece that is longer or wider than the basic miter table. Never have another person help to feed, support, or pull the workpiece instead of using table extensions.

- Use the fence.

Align the workpiece flush against the fence. This will help to eliminate the tendency of the blade teeth to bind. The fence can be used to support miter, bevel, and compound cuts.

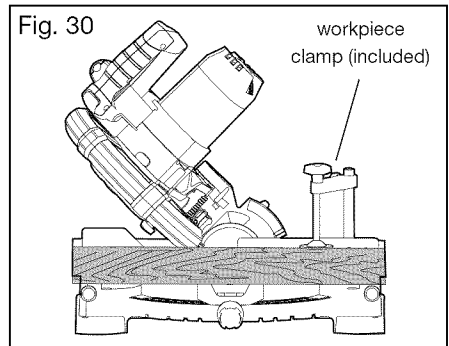
- Use the workpiece clamp

The work piece clamp fits into the clamp mounting holes on the back of the fence. Securely clamp the workpiece to the miter table. (See Fig. 30.)

Clamping wide workpieces

When cutting wide workpieces (such as 2-in. x 8-in. boards), the boards **must** be clamped with the hold-down clamp provided or a C-clamp (sold separately).

⚠ CAUTION: Pay attention to the position of your body and hands. Proper positioning of your body and hands when operating the miter saw will make cutting easier and safer. Never place hands near the cutting area.



Aligning the blade for the cut

⚠ WARNING: Do not look into the laser line.

- Do not aim the laser line at people or animals.
 - Do not use the laser line on highly reflective materials because of the hazard from reflected light.
 - Only have the laser repaired by qualified service technicians.
 - Do not insert hard objects into the laser lens.
 - Clean the laser with a soft, dry brush.
1. Before starting a cut, draw the desired cut line on the workpiece.

2. Press the laser ON/OFF switch forward to turn on the laser.
3. Align the left side of laser line with the right side of cut line. The blade will cut the line marked on wood piece.

NOTE: The laser adjustment has already been made at the factory. The left side of the laser line aligns with the right side of the blade. Align the marked cutting line with the left side of the laser line (Fig.31).

Pay attention to body and hand positions.

Proper positioning of the body and hands when operating the Miter Saw will make cutting easier and safer. Never place hands near the cutting area.

Start the Compound Miter Saw

⚠ WARNING: Always hold the cutting handle firmly, because the starting and stopping action of the motor may cause the handle to move up or down slightly.

1. Plug the Compound Miter Saw into a power-supply outlet.
2. Unlock the saw head and allow it to rise to the UP position.
3. Push the safety lock-off button while squeezing the ON/OFF trigger switch to turn the tool ON. (See Fig. 32.)
4. Wait until the blade reaches full speed before lowering the head and making a cut.

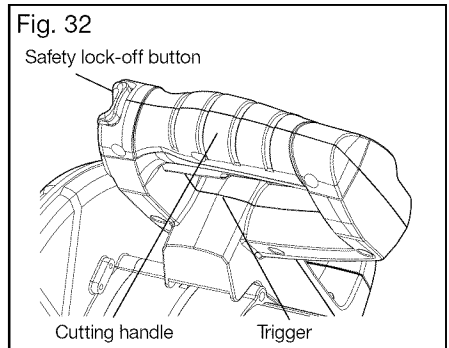
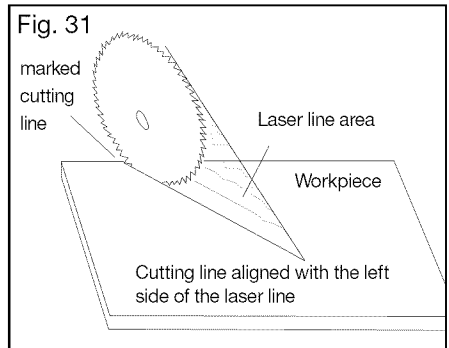
See instructions for Crosscuts, Bevel Cuts, Miter Cuts, and Compound-Miter Cuts, below.

⚠ WARNING: Do not use the saw without the lower blade guard. The lower blade guard is attached to the saw for your protection. Should the lower blade guard become damaged, do not use the saw until the damaged guard has been replaced. Check the lower blade guard regularly, making certain that it is in proper working order.

⚠ WARNING: Always keep hands and fingers away from the cutting area. Any part of the body coming into contact with a moving blade will result in serious injury.

Stop the Miter Saw and remove the workpiece

1. After completing a cut, release the ON/OFF trigger switch and turn the laser ON/OFF switch off.
2. Allow the saw blade to come to a complete stop.



3. Gently raise the saw head and remove the workpiece. Do not remove the workpiece from the sawing plate until the blade has stopped rotating. Ensure that the lower blade guard can easily close.
4. Unplug the tool.
5. Remove loose or scrap pieces.

CROSSCUTS (Fig 33 and Fig 34)

A crosscut is a cut made across the grain of the workpiece. A straight crosscut is a cut made with the miter table set in the 0° position.

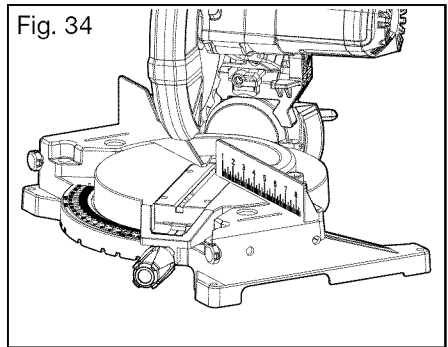
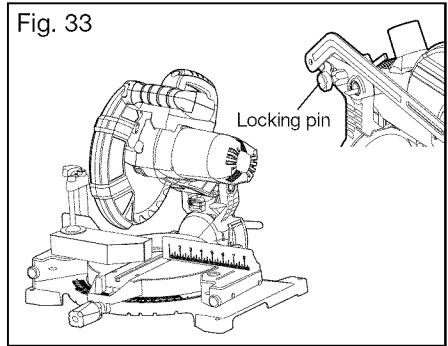
Miter crosscuts are made with the miter table set at an angle, left or right that is not 0°.

To Crosscut With the Miter Saw

1. Unplug the saw.

⚠ WARNING: Failure to unplug the saw could result in accidental starting, causing serious injury.

2. Push in the locking pin to lock the saw arm in the DOWN position.
3. Loosen the knob and depress the miter-lock lever.
4. Firmly hold the base of the saw arm and use it to rotate the miter table, while also holding the saw base steady.
5. Quickly locate 0°, 15°, 22.5°, 31.6° and 45°, left or right, by the stops or clicks at these angle settings.
6. When the miter angle is set, tighten the miter-lock knob.
7. Pull out the locking pin to release the saw arm.
8. Place the workpiece flat on the miter table with one edge securely against the fence. If the board is warped, place the convex side against the fence. If the concave edge of the board is against the fence, the board could collapse on the blade at the end of the cut and jam the blade.
9. Plug the saw into a power supply.
10. Turn on the Laser with the Laser ON/OFF switch.
11. Align the “red laser line” to touch the right edge of the cut line marked on the workpiece.
12. Use the hold-down clamp to secure the workpiece against the saw table and fence.



13. When cutting long workpieces, support the opposite end of the workpiece with a roller stand or with another work surface that is level with the saw table.

⚠ WARNING: To avoid serious personal injury, always securely tighten the miter-lock knob before making a cut. Failure to do so could result in movement of the control arm or miter table while making a cut.

⚠ CAUTION: Never use another person as an additional support for a workpiece that is longer or wider than the basic saw table, or to help feed, support, or pull the workpiece.

⚠ WARNING: To avoid serious personal injury, always keep hands outside the “No Hands Zone” marked on the saw table: at least 3 inches (7.6 cm) from the blade. Also, never perform any cutting operation “freehand” (i.e., without holding the workpiece against the fence); the blade could grab the workpiece, causing it to slip and twist.



14. Before turning on the saw, perform a test of the cutting operation by lowering the saw arm to make sure that no problems will occur when the cut is made.

15. To turn on the saw, push the safety-lock button in with the thumb while squeezing the On/Off trigger switch located under the handle. Allow several seconds for the blade to reach maximum speed.

16. Slowly lower the blade into and through the workpiece.

17. Release the safety lock and the trigger switch, and turn off the laser switch. Allow the saw blade to stop rotating before raising the blade out of the workpiece.

BEVEL CUTTING (Fig. 35)

A bevel cut is a cut made across the grain of the workpiece with the blade at an angle to the workpiece.

A straight bevel cut is made with the miter table set in the 0° position and the saw arm set at a bevel angle between 0° and 46°

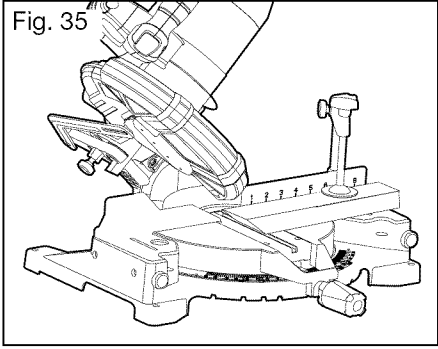
To Bevel Cut with the Miter Saw

1. Unplug the saw.

⚠ WARNING: Failure to unplug the saw could result in accidental starting, causing serious injury.

2. Make sure that the miter table is at 0° and locked, and check that the miter-table lock is locked and secured in position.

⚠ WARNING: To avoid serious personal injury, always securely tighten the miter-lock knob before making a cut. Failure to do so could result in movement of the control arm or miter table while making a cut.

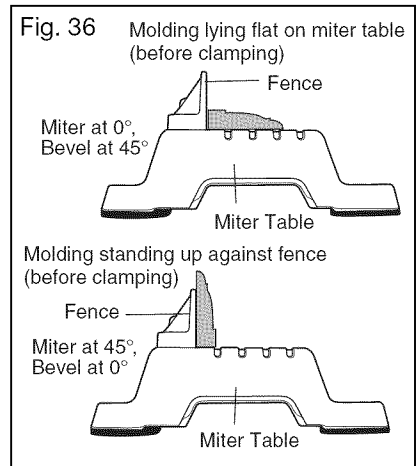


3. Pull out the locking pin to release the saw arm.
4. To make a bevel cut, loosen the bevel-lock knob by turning the knob counter clockwise.
5. Tilt the saw arm to the desired bevel angle as indicated on the bevel scale. The blade can be positioned at any angle, from a 90° straight cut (0 on the scale) to a 46° left bevel.
6. Tighten the bevel-lock knob.
⚠ WARNING: Always tighten the bevel-lock knob to secure the saw arm in its position.
7. Place the workpiece flat on the miter table with one edge securely against the fence. If the board is warped, place the convex side against the fence. If the concave edge of the board is against the fence, the board could collapse on the blade at the end of the cut and jam the blade.
8. Plug the saw into a power supply.
9. Hold the saw handle and use your index finger to turn on the laser switch by pushing it forward.
10. Align the red laser line to touch the right edge of the cut line marked on the workpiece. Turn off the laser.
11. Use the hold-down clamp to secure the workpiece against the Miter Saw table and fence.
12. When cutting long workpieces, support the opposite end of the workpiece with a roller stand or with another work surface that is level with the saw table.
⚠ CAUTION: Never use another person as an additional support for a workpiece that is longer or wider than the basic saw table or to help feed, support, or pull the workpiece.
⚠ WARNING: To avoid serious personal injury, always keep hands outside the “No Hands Zone,” as marked on the saw table: at least 3 inches (7.6 cm) from the blade. Also, never perform any cutting operation “freehand” (i.e., without holding the workpiece against the fence); the blade could grab the workpiece, causing it to slip and twist.
13. Before turning on the saw, perform a trial of the cutting operation by lowering the saw arm to make sure that no problems will occur when the cut is made.
14. Turn on the laser switch. To turn on the saw, push the safety-lock button in with your thumb while squeezing the On/Off trigger switch located under the handle. Allow several seconds for the blade to reach maximum speed.
15. Slowly lower the blade into and through the workpiece.
16. Release the safety lock and the trigger switch, and turn off the laser switch. Allow the saw blade to stop rotating before raising the blade out of the workpiece.
⚠ CAUTION: Always perform a “dry run” cut to determine if the operation being attempted is possible before power is applied to Miter Saw.

CUTTING BASE MOLDING (Fig. 36)

Base moldings and many other moldings can be cut on a miter saw. The proper setup of the saw depends on base molding characteristics and applications, as described below. Perform practice cuts on scrap materials to achieve best results.

1. Always make sure moldings rest firmly against the fence and table. Use hold-down clamp provided, a crown molding vise, or C-clamps and place tape on the area being clamped to avoid marks on the workpiece.
2. Reduce splintering by taping the cut area prior to making the cut. Mark the cut line directly on the tape.
3. Splintering is typically due to incorrect blade style, dull blade, thinness of workpiece, or improperly dried wood.
4. Place the workpiece flat on the miter table with one edge securely against the fence. If the board is warped, place the convex side against the fence. If the concave edge of the board is against the fence, the board could collapse on the blade at the end of the cut and jam the blade.
5. Align the “red laser line” to touch the right edge of the cut line marked on the workpiece.
6. Use the hold down clamp to secure workpiece against saw table and fence.
7. When cutting long workpieces, pull out the extension rail for extra support for the long workpieces.



NOTE: Always perform a dry run cut so you can determine if the operation being attempted is possible before power is applied to miter saw.

COMPOUND MITER CUTTING (Fig. 37)

A compound miter cut is a cut made using a miter angle and a bevel angle at the same time. This type of cut is used for decorative moldings, picture frames, and other fine joinery.

To make this type of cut, the miter table must be rotated to the correct miter angle and the saw arm must be tilted to the correct bevel angle.

Always take special care when making compound miter cuts, due to the interaction of the two angle settings.

Adjustments of miter and bevel settings are dependent on one another. Each time the miter setting is adjusted, the effect of the bevel setting also changes. Each time the bevel setting is adjusted, the effect of the miter setting is changed.

It may take several settings to obtain the desired cut. The first angle setting should be checked after setting the second angle, since adjusting the second angle affects the first.

Once the two correct settings for a particular cut have been obtained, always make a test cut in scrap material before making a finish cut in good material.

To Make a Compound Miter Cut with the Miter Saw (Fig. 37)

1. Unplug the saw.

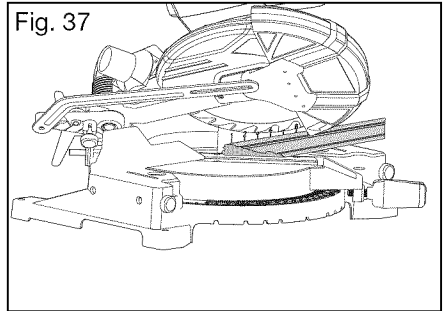
▲ WARNING: Failure to unplug the saw could result in accidental starting, causing serious injury.

2. Pull out the locking pin to release the saw arm.

3. Loosen the miter-lock knob and depress the miter-lock lever to loosen the miter table.

4. Hold the base of the saw arm firmly and use it to rotate the miter table while holding the saw base steady.

5. The 0°, 15°, 22.5°, 31.6°, and 45°, left and right settings are quickly identifiable with the stops at the angle settings.



6. When the desired miter-table setting is achieved, tighten the miter-lock knob.

▲ WARNING: To avoid serious personal injury, always securely tighten the miter-lock knob before making a cut. Failure to do so could result in movement of the control arm or miter table while making a cut.

7. To set the bevel angle, loosen the bevel-lock knob by turning the knob counter clockwise.

8. Tilt the saw arm to the desired bevel angle, as shown on the bevel scale. Bevel angles can be set from 0° to 46° left bevel.

9. When the saw arm has been set at the desired angle, securely tighten the bevel-lock knob.

10. Place the workpiece flat on the miter table with one edge securely against the fence. If the board is warped, place the convex side against the fence. If the concave edge of the board is against the fence, the board could collapse on the blade at the end of the cut and jam the blade.

11. Plug the saw into a power supply.

12. Hold the saw handle and use your index finger to turn on the laser switch by pushing it forward. Align the red laser line to touch the right edge of the cut line marked on the workpiece. Turn off the laser.

13. Use the hold-down clamp to secure the workpiece against the saw table and fence.

14. When cutting long workpieces, support the opposite end of the workpiece with a roller stand or with another work surface that is level with the saw table.

▲ CAUTION: Never use another person as an additional support for a workpiece that is longer or wider than the basic saw table, or to help feed, support, or pull the workpiece.

⚠ WARNING: To avoid serious personal injury, always keep hands outside the “No Hands Zone”, as marked on the saw table, which is at least 3 inches (7.6 cm) from the blade. Also, never perform any cutting operation “freehand” (i.e. without holding the workpiece against the fence); the blade could grab the workpiece, causing it to slip and twist.

15. Make sure that there will be no obstructions to interfere with making the cut.
16. Turn on the laser switch.
17. To turn on the saw, push the safety-lock button in with your thumb while squeezing the On/Off trigger switch located under the handle. Allow several seconds for the blade to reach maximum speed.
18. Slowly lower the blade into and through the workpiece.
19. Release the safety lock and trigger switch, and turn off the laser switch.
Allow the saw blade to stop rotating before raising the blade out of the workpiece.

CUTTING COMPOUND MITERS

To help make the correct settings, use the compound angle setting chart below. Since compound cuts are the most difficult to accurately achieve, plan carefully and make trial cuts in scrap material prior to making your required cut.

COMPOUND-ANGLE SETTINGS FOR POPULAR STRUCTURES

*Pitch of Side = Angle of side from vertical. Example: 

*PITCH OF SIDE	NUMBER OF SIDES						
	3	4	5	6	7	8	9
0°	M-45.00° B- 0.00°	M-36.00° B- 0.00°	M-30.00° B- 0.00°	M-25.71° B- 0.00°	M-22.50° B- 0.00°	M-20.00° B- 0.00°	M-18.00° B- 0.00°
5°	M-44.89° B- 3.53°	M-35.90° B- 2.94°	M-29.91° B- 2.50°	M-25.63° B- 2.17°	M-22.42° B- 1.91°	M-19.93° B- 1.71°	M-17.94° B- 1.54°
10°	M-44.56° B- 7.05°	M-35.58° B- 5.86°	M-29.62° B- 4.98°	M-25.37° B- 4.32°	M-22.19° B- 3.81°	M-19.72° B- 3.40°	M-17.74° B- 3.08°
15°	M-44.01° B- 10.55°	M-35.06° B- 8.75°	M-29.15° B- 7.44°	M-24.95° B- 6.45°	M-21.81° B- 5.68°	M-19.37° B- 5.08°	M-17.42° B- 4.59°
20°	M-43.22° B-14.00°	M-34.32° B-11.60°	M-28.48° B- 9.85°	M-24.35° B- 8.53°	M-21.27° B- 7.52°	M-18.88° B- 6.72°	M-16.98° B- 6.07°
25°	M-42.19° B-17.39°	M-33.36° B-14.38°	M-27.62° B-12.20°	M-23.35° B-10.57°	M-20.58° B- 9.31°	M-18.26° B- 6.72°	M-16.41° B- 7.50°
30°	M-40.89° B-20.70°	M-32.18° B-17.09°	M-26.57° B-14.48°	M-22.64° B-12.53°	M-19.73° B- 11.03°	M-17.50° B- 9.85°	M-15.72° B- 8.89°
35°	M-39.32° B-23.93°	M-30.76° B-19.70°	M-25.31° B-16.67°	M-21.53° B-14.41°	M-18.74° B- 12.68°	M-16.60° B- 11.31°	M-14.90° B- 10.21°
40°	M-37.45° B-27.03°	M-29.10° B- 22.20°	M-23.86° B-18.75°	M-20.25° B-16.19°	M-17.60° B- 14.24°	M-15.58° B- 12.70°	M-13.98° B- 11.46°
45°	M-35.26° B-30.00°	M-27.19° B- 24.56°	M-22.21° B-20.70°	M-18.80° B-17.87°	M-16.32° B- 15.70°	M-14.43° B- 14.00°	M-12.94° B- 12.62°
50°	M-32.73° B-32.80°	M-25.03° B- 26.76°	M-20.36° B-22.52°	M-17.20° B-19.41°	M-14.91° B- 17.05°	M-13.17° B- 15.19°	M-11.80° B- 13.69°

*PITCH OF SIDE	NUMBER OF SIDES						
	3	4	5	6	7	8	9
55°	M-29.84° B-35.40°	M-22.62° B- 28.78°	M-18.32° B-24.18°	M-15.44° B-20.82°	M-13.36° B- 18.27°	M-11.79° B- 16.27°	M-10.56° B- 14.66°
60°	M-26.57° B-37.76°	M-19.96° B- 30.60°	M-16.10° B-25.66°	M-13.54° B-22.07°	M-11.70° B- 19.35°	M-10.31° B- 17.23°	M- 9.23° B- 15.52°
65°	M-22.91° B-39.86°	M-17.07° B- 32.19°	M-13.71° B-26.95°	M-11.50° B-23.16°	M- 9.93° B- 20.29°	M- 8.74° B- 18.06°	M- 7.82° B- 16.26°
70°	M-18.88° B-41.64°	M-13.95° B- 33.53°	M-11.17° B-28.02°	M- 9.35° B-24.06°	M- 8.06° B- 21.08°	M- 7.10° B- 18.75°	M- 6.34° B- 16.88°
75°	M-14.51° B-43.08°	M-10.65° B- 34.59°	M- 8.50° B-28.88°	M- 7.10° B-24.78°	M- 6.12° B- 21.69°	M- 5.38° B- 19.29°	M- 4.81° B- 17.37°
80°	M- 9.85° B-44.14°	M- 7.19° B- 35.37°	M- 5.73° B-29.50°	M- 4.78° B-25.30°	M- 4.11° B- 22.14°	M- 3.62° B- 19.68°	M- 3.23° B- 17.72°
85°	M- 4.98° B-44.78°	M- 3.62° B- 35.84°	M- 2.88° B-29.87°	M- 2.40° B-25.61°	M- 2.07° B- 22.41°	M- 1.82° B- 19.92°	M- 1.62° B- 17.93°
90°	M- 0.00° B-45.00°	M- 0.00° B- 36.00°	M- 0.00° B-30.00°	M- 0.00° B-25.71°	M- 0.00° B- 22.50°	M- 0.00° B- 20.00°	M- 0.00° B- 18.00°

Each B (Bevel) and M (Miter) Setting is listed to the closest 0.005°

CUTTING CROWN MOLDING (Fig. 38)

Your miter saw is ideal for cutting crown molding. In order to fit properly, crown molding must be compound-mitered with extreme accuracy. To fit flat against the ceiling and wall, the sum of the angles of the crown molding's two connecting surfaces must equal 90°

Most crown molding has a high top rear spring angle (the section that fits flat against the ceiling) of 52° and a bottom rear spring angle (the section that fits flat against the wall) of 38°

In order to accurately cut crown molding for a 90° inside or outside corner, lay the molding with its broad back surface flat on the miter table and against the fence. When setting the bevel and miter angles for compound miter cuts, remember that the settings are interdependent; changing one changes the other.

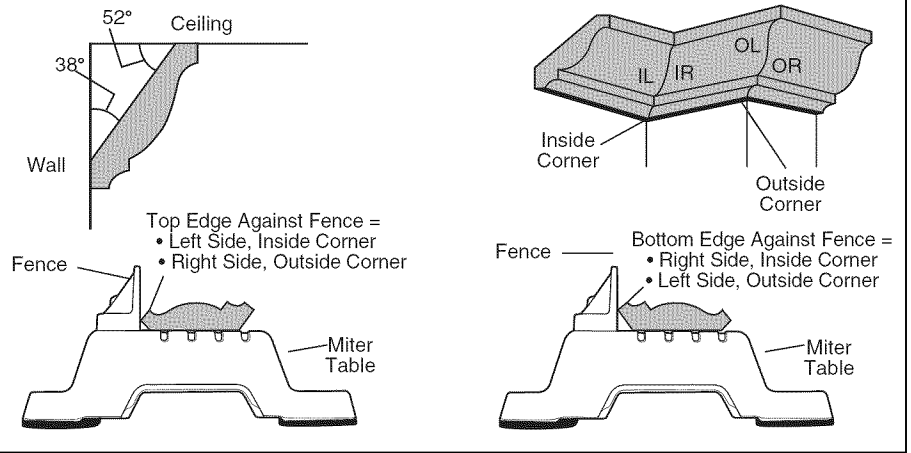
Keep in mind that, since it is very easy for the angles of crown molding to shift slightly, all settings should be tested on scrap molding. Also, most walls do not have angles of precisely 90°, therefore, you will need to fine tune your settings.

When cutting crown molding using this method, the bevel angle should be set at 33.9°. The miter angle should be set at 31.6° either left or right, depending upon the desired cut for the application. See the following table for correct angle setting and correct positioning of the crown molding on the miter table.

The settings in the table below can be used for cutting all standard (U.S.) crown molding with 52° and 38° spring angles. The crown molding is placed flat on the miter table, using the compound features of your miter saw.

Always use the hold-down clamp, and place tape on the area being clamped to avoid marks on the workpiece.

Fig. 38



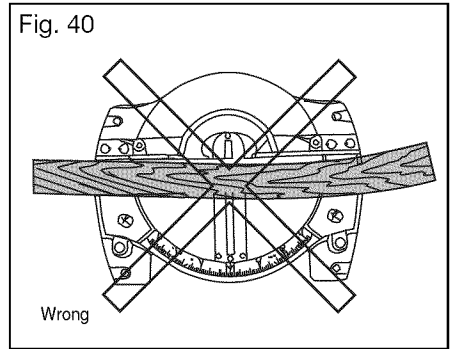
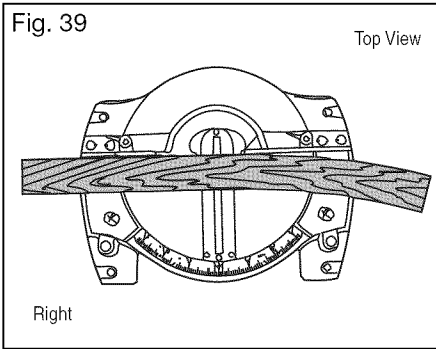
COMPOUND BEVEL /MITER SETTINGS

Bevel Setting	Miter Setting	Type of cut
33.9°	31.6°Right	Inside corner - Left side 1. Position top of molding against fence. 2. Miter table set at RIGHT 31.6° 3. LEFT side of cut is finished piece.
33.9°	31.6°Left	Inside corner - Right side 1. Position top of molding against fence. 2. Miter table set at LEFT 31.6° 3. LEFT side of cut is finished piece.
33.9°	31.6°Left	Outside corner - Left side 1. Position top of molding against fence. 2. Miter table set at LEFT 31.6° 3. RIGHT side of cut is finished piece.
33.9°	31.6°Right	Outside corner - Right side 1. Position top of molding against fence. 2. Miter table set at RIGHT 31.6° 3. RIGHT side of cut is finished piece.

CUTTING WARPED MATERIAL (Fig. 39 and 40)

⚠ WARNING: To avoid kickback and to avoid serious personal injury, never position the concave side of bowed or warped material against the fence.

When cutting warped material, be certain that the material to be cut is positioned on the miter table with the convex side against the fence, as shown in Fig. 35. If the warped material is positioned the wrong way, (Fig. 36), it will pinch the blade near the end of the cut.



MAINTENANCE

⚠ WARNING: To ensure safety and reliability, all repairs - with the exception of the externally accessible brushes - should be performed by a qualified service technician at a Sears Service Center.

⚠ WARNING: For your safety, ALWAYS turn off the switch and unplug the miter saw from the power source before performing any maintenance or cleaning.

Electric tools are subject to accelerated wear and possible premature failure when they are used to work on fiber glass boats and sports cars, wallboard, spackling compounds, or plaster. The chips and grindings from these materials are highly abrasive to electrical tool parts, such as bearings, brushes, commutators, etc. Consequently, it is not recommended that this tool be used for extended work on any fiberglass material, wallboard, spackling compound or plaster. During any use on these materials, **it is extremely important** that the tool is cleaned frequently by blowing with an air jet.

⚠ WARNING: Always wear safety goggles or safety glasses with side shields during power tool operations, or when blowing dust. If the operation is dusty, also wear a dust mask.

ROUTINE MAINTENANCE

⚠ WARNING: DO NOT at any time allow brake fluids, gasoline, petroleum-based products, penetrating oils, etc. to come in contact with plastic parts. Chemicals can damage, weaken, or destroy plastic, which may result in serious personal injury.

Periodic maintenance allows for long life and trouble-free operation. A cleaning and maintenance schedule should be maintained. As a common preventive maintenance practice, follow these recommended steps:

1. Always unplug tool before performing any maintenance operation.
2. When work has been completed, clean the tool to allow smooth functioning of the tool over time.
3. Use clean, damp cloths to wipe the tool.
4. Check the state of all electrical cables and have repairs made when appropriate.
5. Keep the motor air openings free from oil, grease, and sawdust or woodchips and store the tool in a dry place.
6. Be certain that all moving parts are well lubricated, particularly after lengthy exposure to damp and/or dirty conditions.

⚠ CAUTION: When cleaning the lower blade guard, unplug the saw from the power source to avoid unexpected startup.

NOTE: Do not use solvents on the guard, as they may cause any plastic parts to become “cloudy” or brittle.

REPLACEMENT OF CARBON BRUSHES (Fig. 41)

Replacement brush sets are available through Sears Parts and Repair Centers. Replace both carbon brushes when either brush has less than 1/4 inch of carbon remaining.

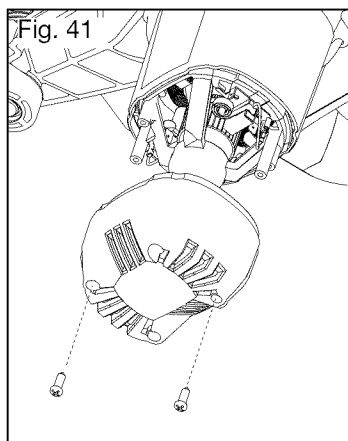
1. Unplug the saw before inspecting or replacing brushes.
2. Open the back cover by loosening the four screws.
3. Replace the carbon bushes and keep the brushes clean and sliding freely in their guide channels.

NOTE: To reinstall the same brushes, make sure the brushes go back in the same way they came out. This will avoid a break-in period.

4. Install the back cover by replacing it and tightening the four screws, **but do not over-tighten**. The saw should be allowed to “RUN IN” (run at no-load without a blade) for 5 minutes before use, to seat the new brushes properly.

⚠ WARNING: While “running in”, do not tie, tape, or otherwise lock the trigger switch “on.” **Hold the trigger switch “on” by hand!**

NOTE: Do not use solvents on the lower blade guard, as they may cause any plastic parts to become “cloudy” or brittle.



SAWDUST

Periodically, sawdust will accumulate under the worktable and base. This could cause difficulty in the movement of the worktable when setting up a miter cut. Frequently blow out or vacuum up the sawdust.

⚠ WARNING: Always wear safety goggles or safety glasses with side shields during power tool operations, or when blowing dust. If operation is dusty, also wear a dust mask.

LUBRICATION

All the motor bearings in this tool are lubricated with a sufficient amount of high-grade lubricant for the life of the unit under normal operating conditions; therefore, no further lubrication is required.

TROUBLESHOOTING

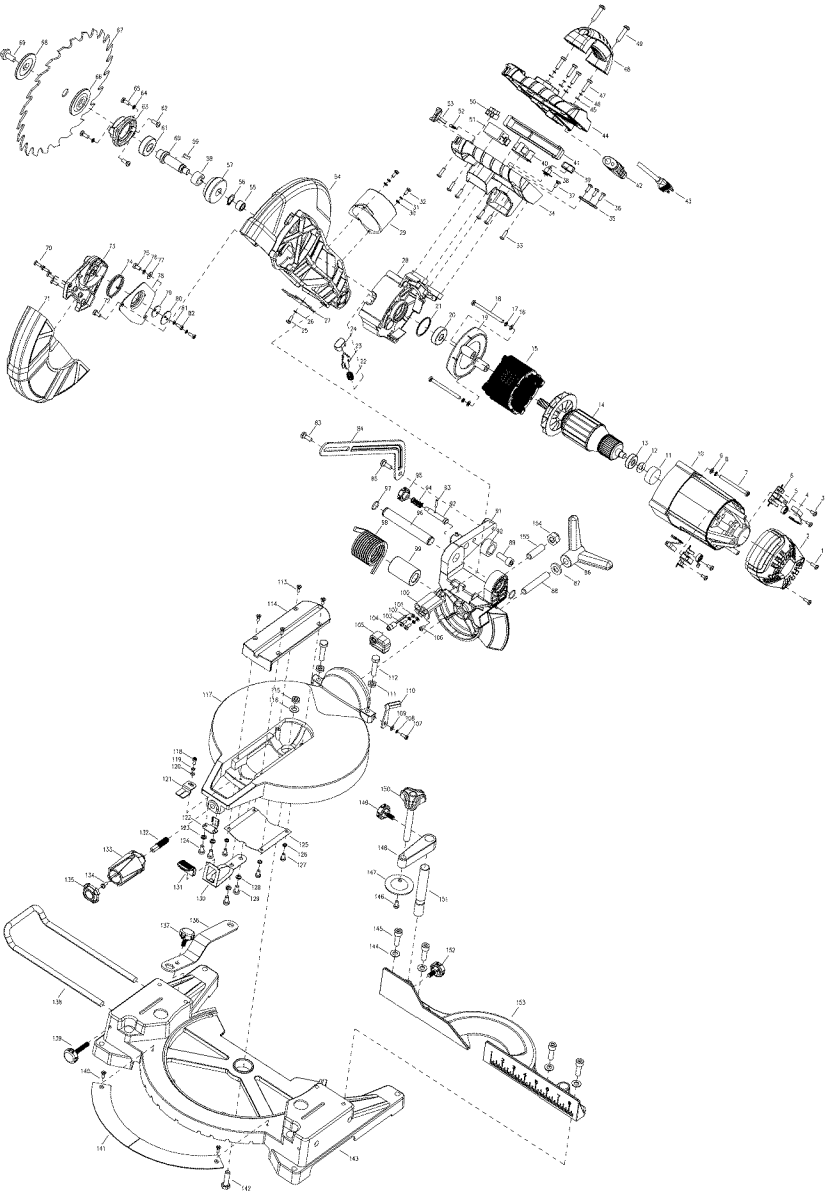
PROBLEM	PROBABLE CAUSE	SUGGESTED CORRECTIVE ACTION
Brake does not stop blade within 6 seconds	Electric hand brake has failed	Take saw for servicing
	Motor brake overheated from use of defective or wrong size blade or rapid ON/OFF cycling	Use a recommended blade
	Arbor bolt is loose	Retighten arbor bolt
Motor does not start	Saw not plugged in	Check that all cords are plugged in
	Fuse	Check time delay fuse or circuit breaker
Angle of cut inaccurate	Miter table unlocked	Use miter-lock knob. See ADJUSTMENT section
	Too much sawdust under table	Vacuum or blow out dust. Wear Eye Protection!

PROBLEM	PROBABLE CAUSE	SUGGESTED CORRECTIVE ACTION
Cutting arm cannot fully raise, or blade guard cannot fully close	Parts failure	Contact Sears Service Center
	Pivot spring not replaced properly after service	Contact Sears Service Center
	Saw-head locking pin not set properly	Check, adjust, and properly set saw-head locking pin
	Sawdust buildup	Clean moving parts
Blade binds, jams, or burns wood	Improper operation	“See OPERATION section”
	Dull blade	Replace blade
	Improper blade	Replace blade
	Warped blade	Replace blade
Saw vibrates or shakes	Saw blade damaged	Replace blade
	Saw blade loosened	Tighten arbor bolt
	Saw not properly fastened down	Fasten saw to stand, bench, or table
	Workpiece not properly supported	Properly support or clamp workpiece
Laser line projection is hard to see	Light in work area is too bright	Move the Miter Saw to the work area with proper light
	Saw dust on the laser lens	Clean laser lens with a soft, dry brush

PARTS LIST

Compound Miter Saw MODEL NUMBER 320.21228

Always mention the Model Number when ordering parts for this tool.



PARTS LIST

No	Name	Quantity
1	Screw	2
2	Motor cover	1
3	Screw	4
4	Brush	2
5	Brush spring	2
6	Brush hold	2
7	Screw	4
8	Spring washer	4
9	Washer	4
10	Motor housing	1
11	Rubber boot	1
12	Wave washer	1
13	Bearing	1
14	Armature	1
15	Stator	1
16	Washer	2
17	Spring washer	2
18	Screw	2
19	Fan baffle	1
20	Bearing	1
21	O-ring	1
22	Gear lock pin spring	1
23	Gear lock pin	1
24	Gear lock pin cap	1
25	Screw	1
26	Spring washer	1
27	Anti-finger touch plate	1
28	Gear case	1
29	Exhaust port	1
30	Washer	2

No	Name	Quantity
31	Spring washer	2
32	Screw	2
33	Screw	6
34	Lower handle	1
35	Cold clamp	1
36	Screw	3
37	Screw	1
38	Laser switch	1
39	Laser switch cap	1
40	Transformer	1
41	Trigger	1
42	Cord protector	1
43	Cable plug	1
44	Upper handle	1
45	Washer	4
46	Spring washer	4
47	Screw	4
48	Carry handle	1
49	Screw	2
50	Binding post	1
51	Switch	1
52	Spring	1
53	Switch lock button	1
54	Fixed guard	1
55	Needle bearing	1
56	C clip	1
57	Gear	1
58	Gear washer	1
59	Key	1
60	Arbor	1

PARTS LIST

No	Name	Quantity
61	Bearing	1
62	Screw	2
63	Gear case cover	1
64	Spring washer	2
65	Screw	2
66	Blade flange inner	1
67	Blade	1
68	Blade flange outer	1
69	Blade bolt	1
70	Rivet	4
71	Moving guard	1
72	Special screw	1
73	Cast center	1
74	Spring	1
75	Screw	1
76	Spring washer	1
77	Big washer	1
78	Moving guard plate	1
79	Plate guarding(small)	1
80	Plate guarding(big)	1
81	Spring washer	2
82	Screw	2
83	Shoulder Screw	1
84	Linkage	1
85	Shoulder Screw	1
86	Bevel lock handle	1
87	Big washer	1
88	Double stud	1
89	Socket head screw	1
90	Bushing	1

No	Name	Quantity
91	Trunnion	1
92	Lock pin	1
93	Rolled pin	1
94	Lock pin spring	1
95	Lock pin cap	1
96	Pivot shaft	1
97	Steel cable baffle ring	2
98	Torsion spring	1
99	Spring bushing	1
100	Laser carrier	1
101	Washer	2
102	Spring washer	2
103	Screw	2
104	Laser	1
105	Laser cover	1
106	Screw	1
107	Screw	1
108	Spring washer	1
109	Washer	1
110	Lever pointer	1
111	Nut	2
112	Bolt	2
113	Screw	4
114	Cutting insert	1
115	Locknut	1
116	Big washer	1
117	Turntable	1
118	Screw	1
119	Spring washer	1
120	Washer	1

PARTS LIST

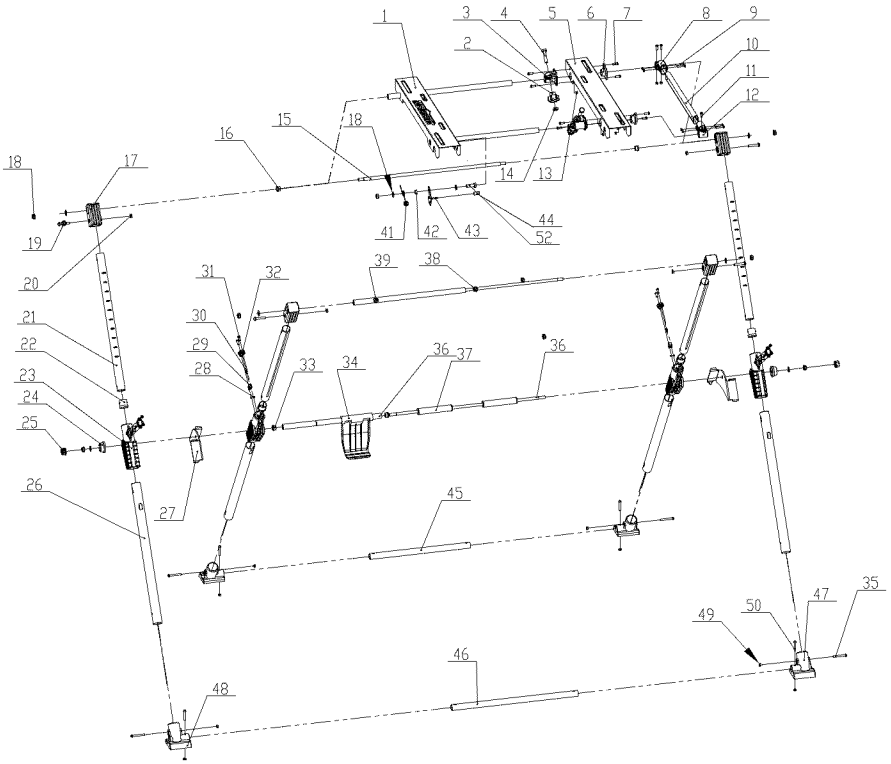
No	Name	Quantity
121	Miter pointer	1
122	Clamp plate	1
123	Spring washer	2
124	Screw	2
125	Safety plate	1
126	Spring washer	4
127	Screw	4
128	Spring washer	2
129	Screw	2
130	Detent	1
131	Detent button	1
132	Lock bolt	1
133	Lock handle	1
134	Screw	1
135	Lock handle cap	1
136	Blade spanner	1
137	Knob	1

No	Name	Quantity
138	Support bar	1
139	Knob	1
140	Sunk screw	2
141	Miter scale board	1
142	Bolt	1
143	Base	1
144	Washer	4
145	Allen key head screw	4
146	Screw	1
147	Clamp	1
148	Support arm	1
149	Knob	1
150	Workpiece knob	1
151	Support pole	1
152	Knob	1
153	Fence	1

PARTS LIST

Miter Saw Stand MODEL NUMBER 320.21228

Always mention the Model Number when ordering parts for this tool.



PARTS LIST

No	Name	Quantity
1	fixed worktable assembly	1
2	knob	2
3	clamp ring	2
4	hexagon screw	2
5	moving table	1
6	slide ring	2
7	bolt M4x12	10
8	gemel 11	1
9	bolt M4x24	4
10	table pole	1
11	screw M4x12	1
12	gemel 1	1
13	nut M4	14
14	nut M8	9
15	upper outer pole	1
16	cover	2
17	upper gemel	4
18	hex bolt M8x20	1
19	screw M6x35	4
20	nut M6	4
21	inner pole	4
22	ring	4
23	gemel Bracket	4
24	nut ring	2
25	nut cover	2

No	Name	Quantity
26	outer pole	4
27	limit position board	2
28	plate	4
29	plate board	4
30	Washer	2
31	screw M4x12	8
32	spring cover	4
33	pole cover	2
34	lock device	1
35	screw M5x38	4
36	pole	1
37	limit position pole	2
38	upper inner pole	1
39	upper inner pipe	1
40	washing	1
41	spring A	1
42	suport ring	1
43	hook	1
44	handle cover	1
45	lower inner pole	1
46	lower outer pole	1
47	right foot	2
48	left foot	2
49	nut M5	8
50	screw M5x29	4

Get it fixed, at your home or ours!

Your Home

For expert troubleshooting and home solutions advice:

manage  home

www.managemyhome.com

For repair – **in your home** – of **all** major brand appliances, lawn and garden equipment, or heating and cooling systems, **no matter who made it, no matter who sold it!**

For the replacement parts, accessories and owner's manuals that you need to do-it-yourself.

For Sears professional installation of home appliances and items like garage door openers and water heaters.

1-800-4-MY-HOME[®] (1-800-469-4663)

Call anytime, day or night (U.S.A. and Canada)

www.sears.com www.sears.ca

Our Home

For repair of carry-in items like vacuums, lawn equipment, and electronics, call anytime for the location of your nearest

Sears Parts & Repair Service Center

1-800-488-1222 (U.S.A.)

www.sears.com

1-800-469-4663 (Canada)

www.sears.ca

To purchase a protection agreement on a product serviced by Sears:

1-800-827-6655 (U.S.A.)

1-800-361-6665 (Canada)

Para pedir servicio de reparación a domicilio, y para ordenar piezas:

1-888-SU-HOGAR[®]

(1-888-784-6427)

Au Canada pour service en français:

1-800-LE-FOYER^{MC}

(1-800-533-6937)

www.sears.ca

Sears

® Registered Trademark / TM Trademark / SM Service Mark of Sears Brands, LLC

® Marca Registrada / TM Marca de Fábrica / SM Marca de Servicio de Sears Brands, LLC

^{MC} Marque de commerce / ^{MD} Marque déposée de Sears Brands, LLC

© Sears Brands, LLC