

Installation Instructions

Built-In Coffee Maker



2 Before You Begin

READ THESE INSTRUCTIONS



NOTE

Installer: Leave these instructions with the owner.

Owner: Read your Coffee Maker Use and Care Guide completely before use. It contains important safety information for operating this appliance. It also has many suggestions for getting the best results from your coffee maker.

Read all instructions before installing the coffee maker.

For your safety, please read and observe all safety instructions. This guide will help you anticipate electrical and water connections and help you select the best location for the coffee maker.

WARNING

Tip Over Hazard: Do not use coffee maker until completely installed.

Do not connect this appliance to electrical power until it is completely installed.

QUESTIONS?



1-877-4Electrolux (1-877-435-3287)

For toll-free telephone support in the U.S. and Canada.

INTERNET



For online support and product information:

In the U.S. visit www.electroluxusa.com. In Canada, visit www.electroluxca.com.

© 2007 Electrolux Home Products, Inc.
Post Office Box 212378, Augusta, Georgia 30917, USA
All rights reserved.

TABLE OF CONTENTS

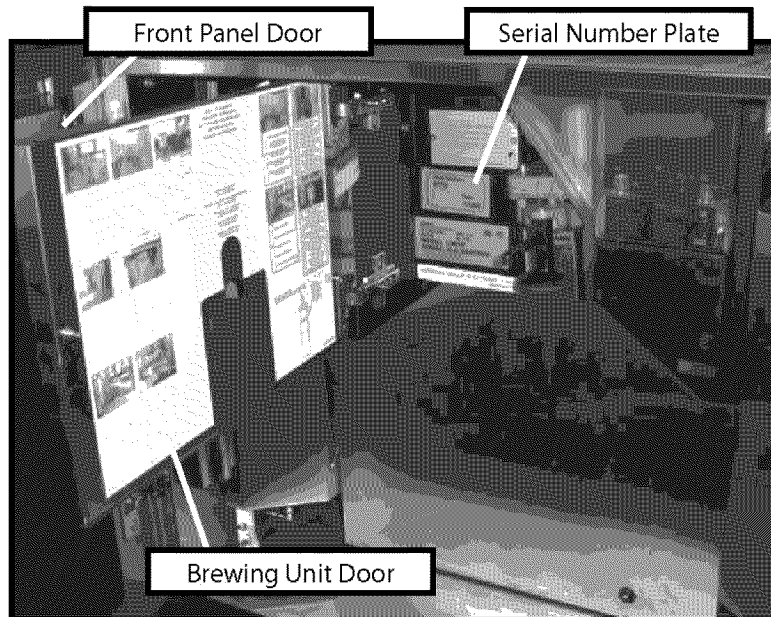


Before You Begin.....	2	Installation	10
Finding Information	3	Before You Start.....	10
Important Safety Instructions.....	4	Tools Needed for Installation	11
Safety	5	Plumbing Installation	12
Preparing for Installation	7	Installing the Cabinet Glides.....	14
Planning the Location.....	7	Installing the Unit in the Cabinet..	16
		Coffee Maker Removal	16
		Connecting the Plumbing	17
		Verifying Operation	18

IF YOUR UNIT REQUIRES SERVICE...



IMPORTANT: If the unit requires service, be sure to have the model and serial number available when you call. The model and serial number are on the data plate located inside the brewing unit door. See the use and care guide for instructions on how to open the front panel and brewing unit doors.



4 Safety

IMPORTANT SAFETY INSTRUCTIONS



Safety Precautions

Do not attempt to install or operate this appliance until you read the safety precautions in this guide. Safety items throughout this guide are labeled with a Warning or Caution based on the risk type.

Definitions



This symbol is the safety alert symbol. It is used to alert you to potential personal injury hazards. Obey all safety messages that follow to avoid possible injury or death.

WARNING

WARNING indicates a potentially hazardous situation which, if not avoided, could result in death or serious injury.

CAUTION

CAUTION indicates a potentially hazardous situation which, if not avoided, may result in minor or moderate injury.

CAUTION

CAUTION used without the safety alert symbol indicates a potentially hazardous situation which, if not avoided, may result in property damage.

IMPORTANT

Indicates installation, operation or maintenance information which is important but not hazard related.

WARNING

Electrolux cannot be held responsible for damage to property or injury to persons caused by failure to comply with the installation, maintenance and safety instructions contained in this handbook.

⚠WARNING

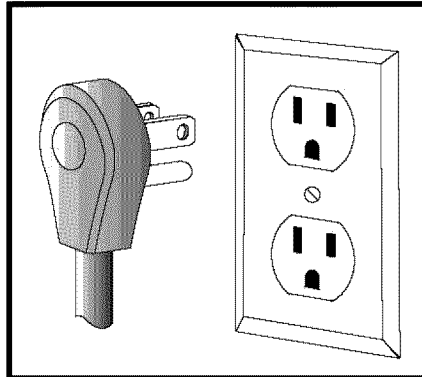
To reduce the risk of fire, electrical shock, or injury when using your coffee maker, follow basic safety precautions including the following:

Read all instructions before operating the coffee maker.

IMPORTANT: Before performing any type of service or installation, make sure that electric power to the coffee maker is disconnected.

IMPORTANT: To avoid the possibility of explosion or fire, do not store or use combustible, flammable, or explosive liquids or vapors (such as gasoline) inside or in the vicinity of this or any other appliance.

IMPORTANT: This appliance is equipped with a three-prong grounding plug for protection against possible electric shock hazards. Plug it only into a dedicated, grounded electrical outlet. When only a standard two-prong electrical outlet is available, the customer must have it replaced with a dedicated, properly grounded three-prong electrical outlet before using this appliance. Do not under any circumstances, cut or remove the third (ground) prong from the power cord. Do not use an adapter plug. Do not use an extension cord. Do not use a power cord that is frayed or damaged. The use of a ground fault interrupter (GFI) is not recommended.



- Do not install or use a damaged appliance. If you receive a damaged appliance, immediately contact your dealer or builder.
- Do not use the coffee maker until it has been properly installed by a qualified installer according to these installation instructions. The installer must show the customer the location of the power plug so that they know where and how to disconnect power to the coffee maker.
- Do not install, repair, or replace any part of the coffee maker unless specifically recommended in the literature accompanying it. A qualified service technician should perform all other service.
- Keep packaging materials away from children. Plastic sheets and bags can cause suffocation.

Save These Instructions for Future Reference.

6 Safety

General Safety Precautions (continued)

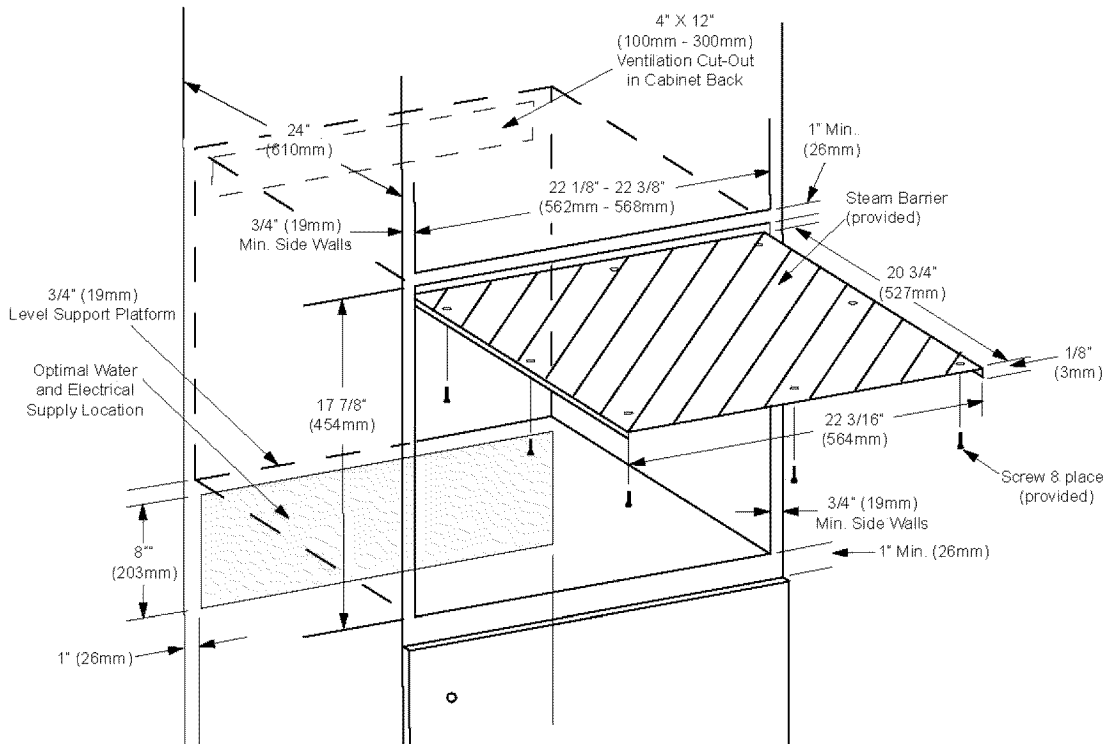
⚠ WARNING

- Do not tamper with the controls.
- Clean the coffee maker thoroughly according to the ***Flushing Out the Coffee Maker*** section in the use and care guide before operating it for the first time.
- When installing or cleaning the mechanical parts of the coffee maker, exercise care with hands and arms around the metal edges.
- Many metal surfaces behind the front panel and inside the brewing compartment are hot when power is on. Exercise care around metal surfaces in these areas when the power switch is in the on position.
- During normal operation, the person using the coffee maker must pull it out from the cabinet to fill the coffee bins, etc. To prevent personal injury, when pushing the coffee maker back into the cabinet, make sure body parts and clothing are clear of the portion of the coffee maker behind the front panel.
- To prevent an electrical shock hazard due to steam and water leakage, do not install this appliance above or below any other appliance.

CAUTION

- To prevent jamming of the grinding mechanism, use only the types of coffee beans specified in these instructions.
 - Remove the drip tray before closing the front panel door. Closing the front panel door without the drip tray removed could damage parts of the coffee maker.
 - Keep the coffee maker keys in a safe place. Replacement keys are not covered by the warranty.
 - To prevent property damage, the back of the cabinet must be ventilated. See the location planning section.
 - Clean and flush the coffee maker according to the ***Routine Cleaning Instructions*** in the use and care guide before using this appliance.
-

PLANNING THE LOCATION



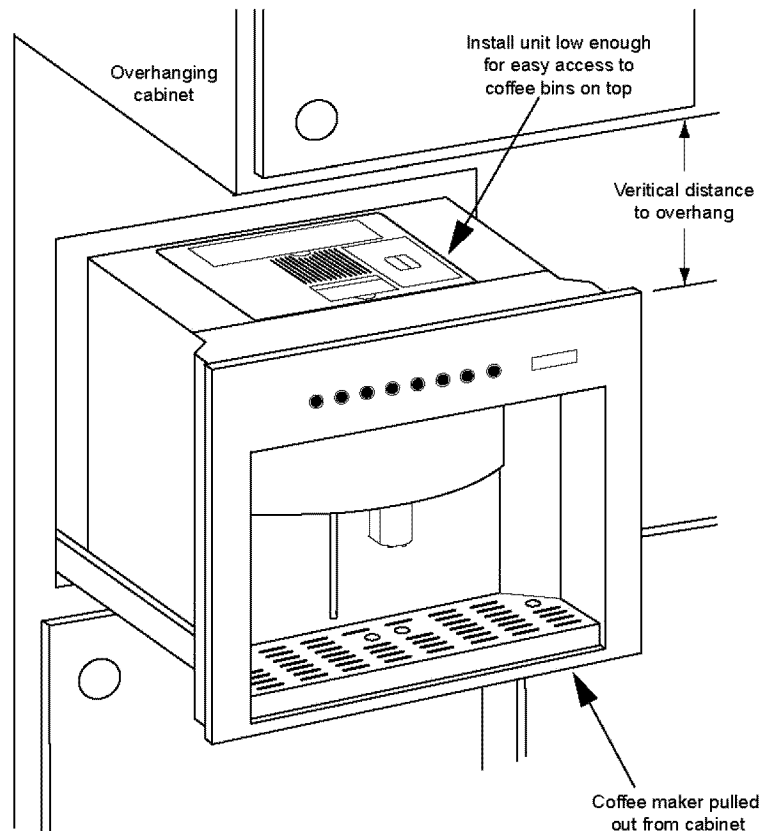
IMPORTANT:

- All statutory regulations, local and regional codes and local power supply company connection specifications must be strictly observed.
- The supplied power cord is 60" (152.4cm) long, terminated by a three-prong plug. It is located in the lower right rear corner on the back of the unit. It must be plugged directly into a dedicated, wall-mounted electrical receptacle.
- The electrical outlet (and water shut off valve for model E24CM76GSS) should be located in an adjacent cabinet. Both must be accessible when the unit is installed.
- The coffee maker(E24CM76GSS) is supplied with a flexible water hose for connection to a 1/4" threaded water line connection. See page 12 for further information on planning the water line connection.
- The coffee maker must be installed at a safe distance from other sources of heat, such as home appliances, in order to avoid an excessive rise in temperature.
- For ventilation purposes, there **must** be a slot near the top of the cabinet back. The minimum dimensions are 4" X 12" (10.0 X 30.0cm).

8 Preparing for Installation

IMPORTANT:

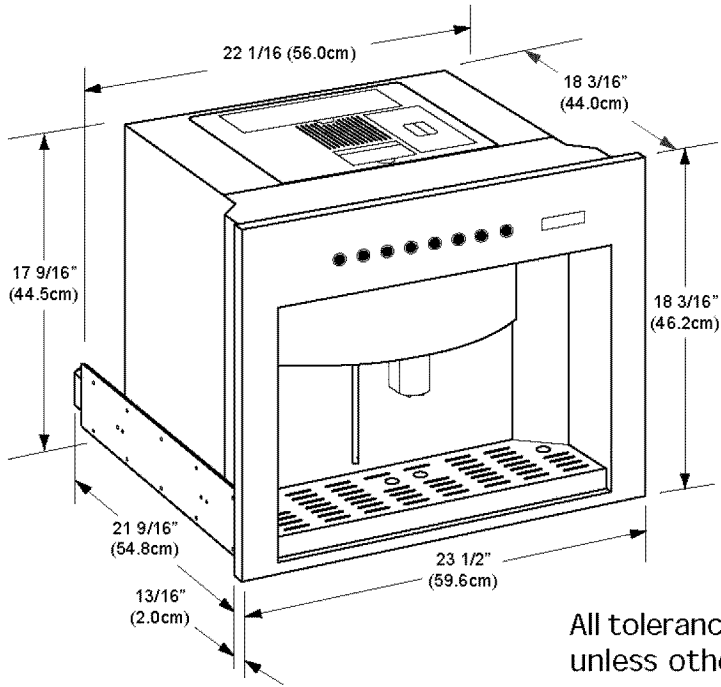
- **DO NOT** install the coffee maker in an unrestrained, free-standing cabinet.
- During normal operation, the user must have access to the top of the unit. The user needs to be able to pour coffee into the coffee bins on top and, on model E24CM75GSS, be able to remove the water tank for filling and cleaning. Install the coffee maker low enough so that the user can reach the top of the unit easily when it is slid out of the cabinet.
- When installing the coffee maker under overhanging cabinets, allow sufficient room for access to the coffee bins (and on some models, the water tank) on top. See the table below.
- Do not install any appliance above or below the coffee maker.



Model	Vertical distance to overhang
E24CM75GSS	14" (Minimum)
E24CM76GSS	6" (Minimum) 12" (Recommended)

Preparing for Installation 9

DIMENSIONS



All tolerances: + 1/16", - 0" unless otherwise stated.

TECHNICAL SPECIFICATIONS

Power Requirements	120 Vac, 60Hz, 20A grounded, dedicated circuit required
Total Connected Load	1.8kW (15A)
Power Cord Length	60 inches
Unit Weight	110 lbs.
Shipping Weight	139 lbs.
Fresh Water Capacity (Model E24CM75GSS)	5 Liters/1.3 Gallons
Minimum Input Water Pressure (Model E24CM76GSS)	1.40 Bar (20 psi)
Maximum Input Water Pressure (Model E24CM76GSS)	2.75 Bar (40 psi)
Water inlet diameter (Model E24CM76GSS)	3/4"

The correct voltage, frequency and amperage must be supplied to the electrical outlet from a grounded, dedicated, single phase circuit that is protected by a properly sized circuit breaker or time-delay fuse. If one is not installed, call a licensed electrician.

10 Installation

BEFORE YOU START



Remove the coffee maker from the packaging and inspect it for damage. Do not install a damaged maker. To prevent damage to the control panel door, do not set the appliance on the floor or counter prior to installation.

Check to make sure all parts are included.

PARTS LIST



- **Steam barrier with mounting screws**
- **2 guide assemblies with mounting screws**
- **6" metal shims, 1/16" (1mm)**
- **Three foot 1/4" to 3/4" flexible water supply hose(E24CM76GSS)**
- **Use & care guide**
- **Detergent tablets (sample)**
- **Spare tank O-ring (model E24CM75GSS)**
- **Spare piston assembly O-ring**
- **Allen wrench (for grinder adjustment)**
- **Anti-liming powder (sample)**
- **Measuring cup for ground coffee**
- **Cleaning brush**
- **Keys (taped to the right side of the unit)**



TOOLS NEEDED FOR INSTALLATION

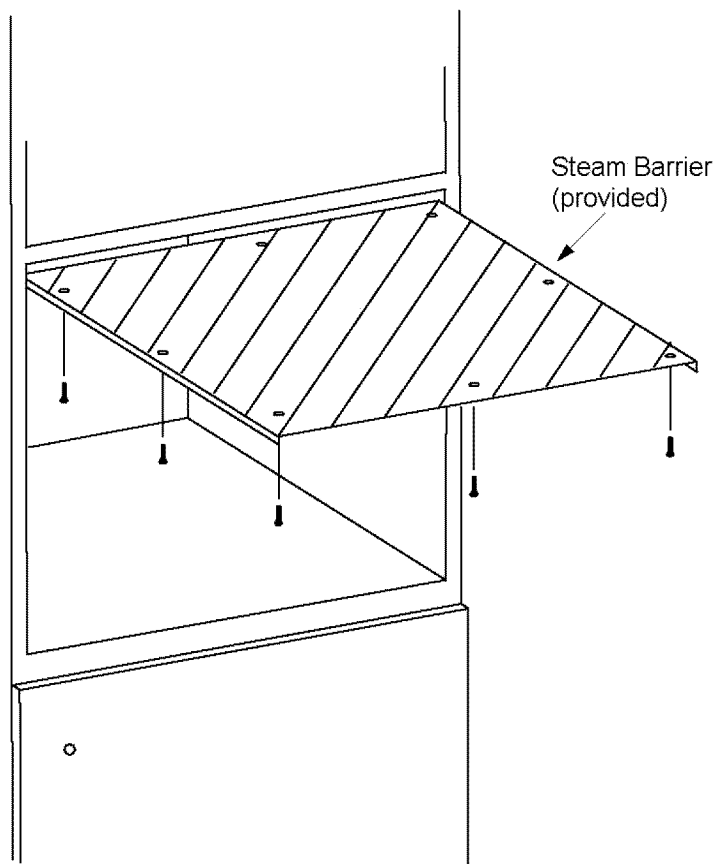


- Phillips screwdriver
- Measuring tape
- Level
- Drill with 1/16" drill bit

STEAM BARRIER INSTALLATION



- Position the steam barrier inside the top of the cut-out. Push it towards the back wall until the back edge lines up with the back of the cabinet.
- Attach it with the eight (8) provided screws.



12 Installation

PLUMBING INSTALLATION



CAUTION

To prevent damage to the coffee maker due to hard water, prior to installation check the water hardness for the building where you will be installing the coffee maker. If necessary have a qualified water treatment specialist install a water treatment system. The water treatment system must be installed between the house plumbing and the coffee maker.

Determine Water Hardness

Before installing the coffee maker, determine the water hardness. Call the local water company. Ask them for the water hardness level of the water supplied to the building where the coffee maker will be installed.

For Model E24CM75GSS (Tank Model):

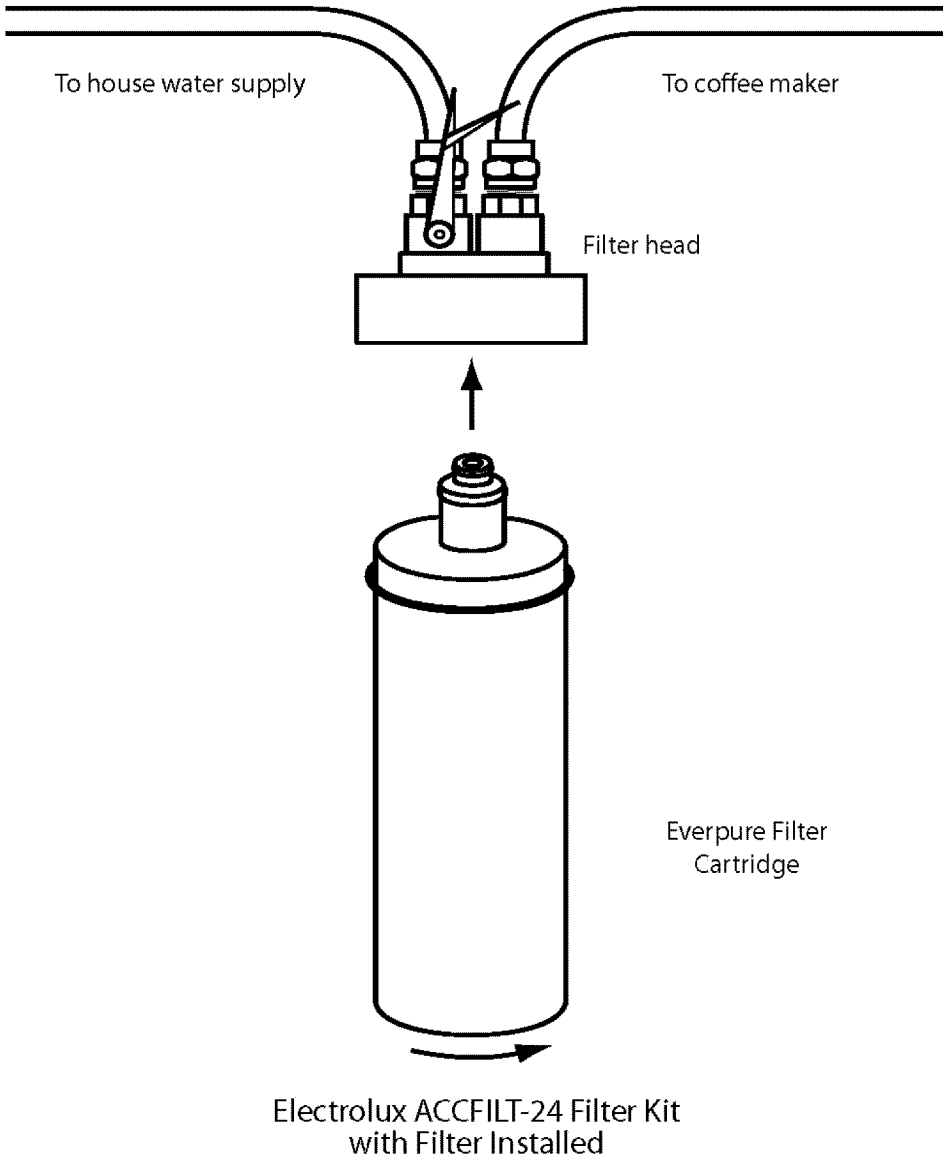
- If the water hardness level is above four grains per gallon (4 gpg) you must use filtered water with a hardness of 4 gpg or less. Do not use distilled water.
- If the water hardness level is below 4 gpg, you may use tap water in the coffee system. Filtered water is recommended for better taste.

For Model E24CM76GSS (Plumbed Model):

- If the water hardness is above 4 grains per gallon (4gpg) contact a qualified water treatment specialist. Have a water treatment system installed that lowers the water hardness level to 4 gpg or less.
- Regardless of the type of water treatment system installed, **ELECTROLUX HIGHLY RECOMMENDS** you install an Electrolux ACCFILT-24 filter system. The coffee maker requires periodic decalcification that must be performed regardless of the water hardness level. The filter head in the kit is required to perform this process for model E24CM76GSS. Decalcification will be **MUCH SIMPLER** with the Electrolux ACCFILT-24 filter system already installed. In addition, the filter will improve water taste.
- Electrolux does not recommend installation of a reverse osmosis filtration system. Reverse osmosis systems can cause low water pressure. When the water pressure is low, the coffee water volume level) can fluctuate and the water pump may make a “hammering” sound.



Installation 13



Electrolux ACCFILT-24 Filter Kit
with Filter Installed

14 Installation

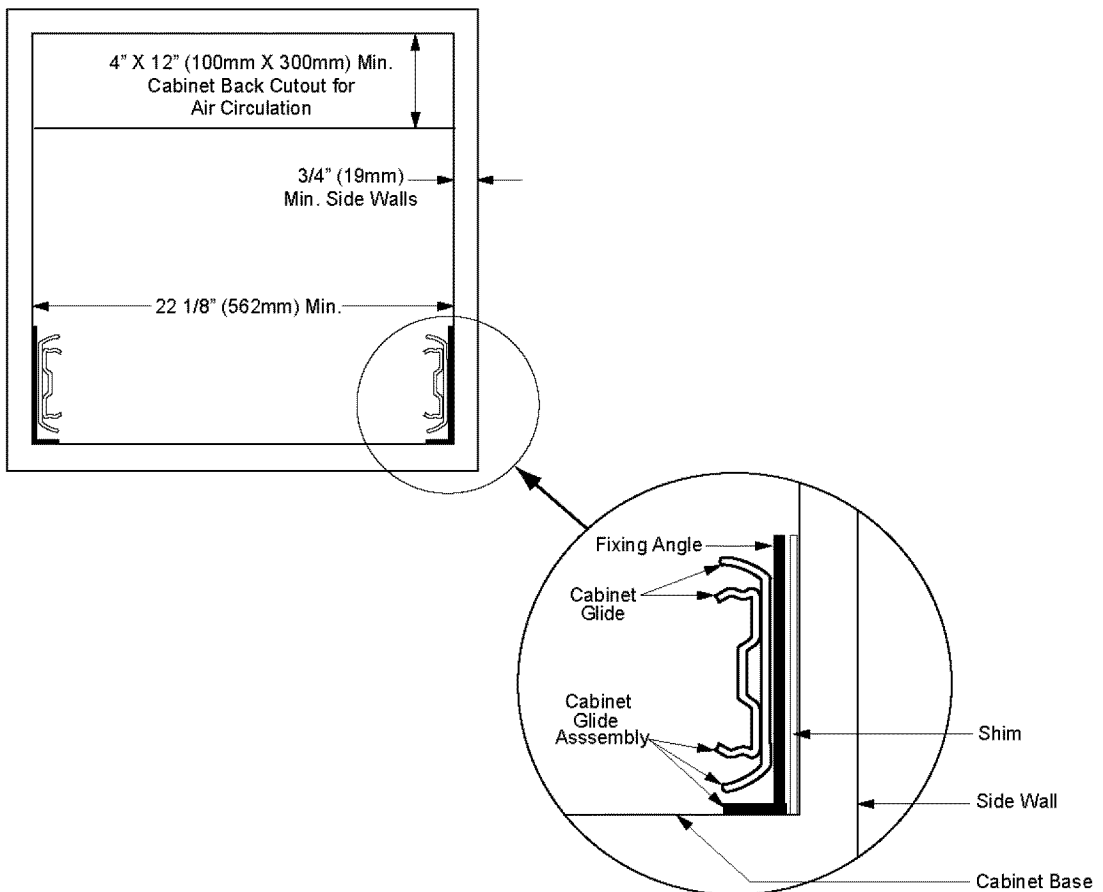
INSTALLING THE CABINET GLIDES

The cabinet glides mount to the inside of the cabinet. The glides on the coffee maker slide into the cabinet glides. The guide system allows the coffee maker to slide in and out of the cabinet for loading the coffee bins and for maintenance.

To install the cabinet glides:

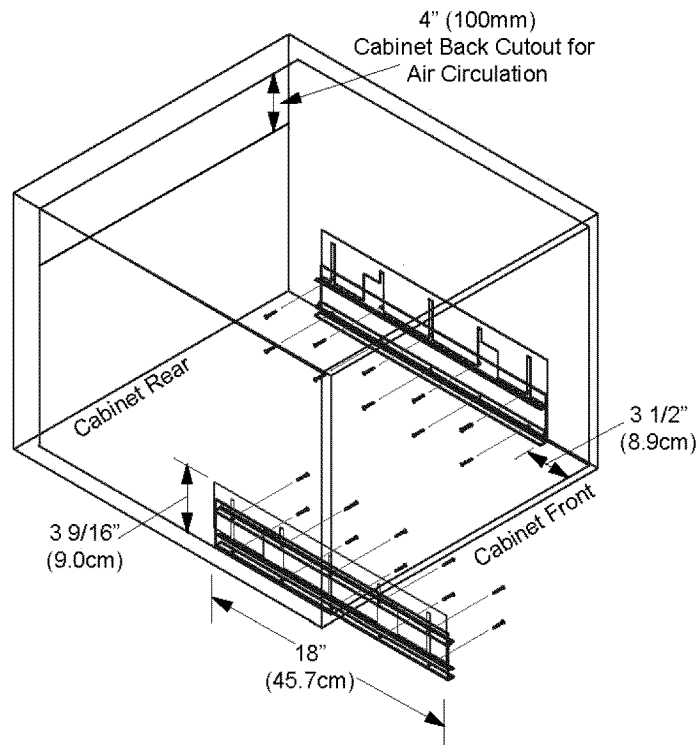
- Determine the number of metal shims required to mount the cabinet glide assemblies according to the chart and diagrams below. The appliance is supplied with six 1/16" (1mm) metal shims. Use the shims to position the fixing angles so that they are properly spaced. The appliance will not slide in and out of the cabinet properly if the fixing angles are not properly spaced.

Cutout Width	Number of Shims
22 1/8" (56.2cm)	0
22 3/16" (56.4cm)	2 Total (1 on each side)
22 1/4" (56.6cm)	4 Total (2 on each side)
22 3/8" (56.8cm)	6 Total (3 on each side)



Installation 15

- Put the two (2) cabinet glide assemblies, and shims if necessary, as shown on the inside surfaces of the cabinet. Position them $3\frac{1}{2}$ " (9.0cm) from the front edge of the cutout opening.
- Insert the screws in the holes of the glides without tightening them completely.
- Make sure the outside distance between the fixing angles is $22\frac{1}{8}$ " (56.2cm) and that the glides are level. Change the number of shims or adjust the fixing angles as necessary.



IMPORTANT: Make sure that the glides are level.

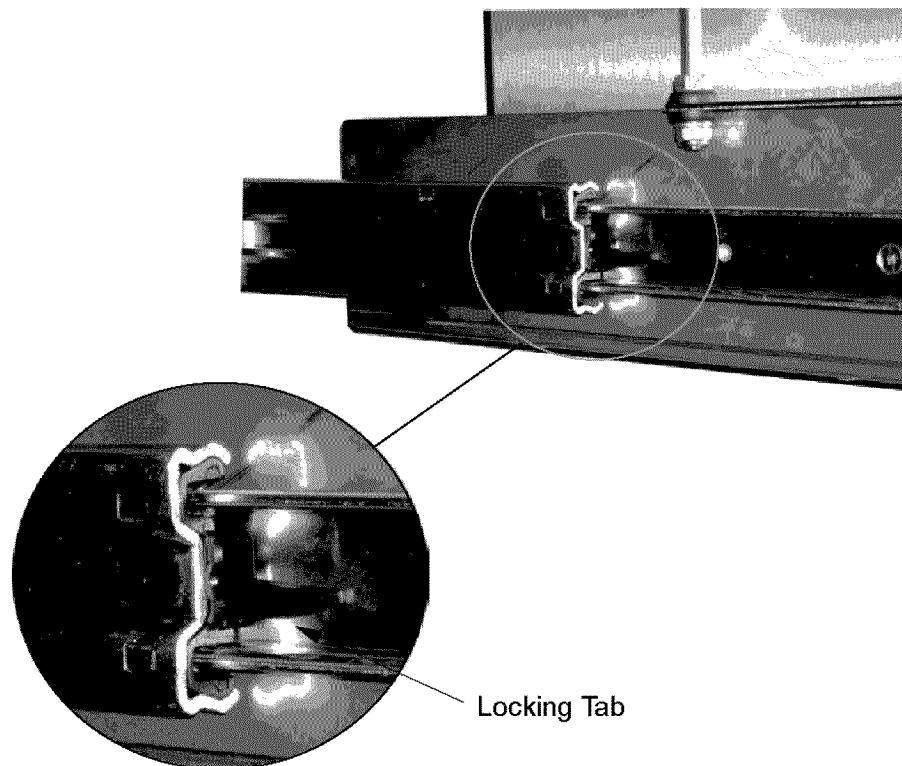
- Tighten all of the screws.
 - Make sure that the power cord and water feed line can be fed freely through the back wall.
 - In order to avoid overheating the coffee maker, make an opening of at least $3\frac{15}{16}$ " (10.0cm) at the back of the cabinet to allow air to circulate.
-

16 Installation

INSTALLING THE UNIT IN THE CABINET



- While supporting the coffee maker from below, insert it into the cabinet cutout. As you insert it into the cabinet, line up the glides on the appliance with the cabinet glides. The appliance should glide on the rails when slight pressure is applied to the front of the coffee maker. If it does not glide smoothly, check the distance between the glides again.
- As you slide the coffee maker into the cabinet the locking tab on the glides will engage.



COFFEE MAKER REMOVAL



If you need to remove the unit from the cabinet:

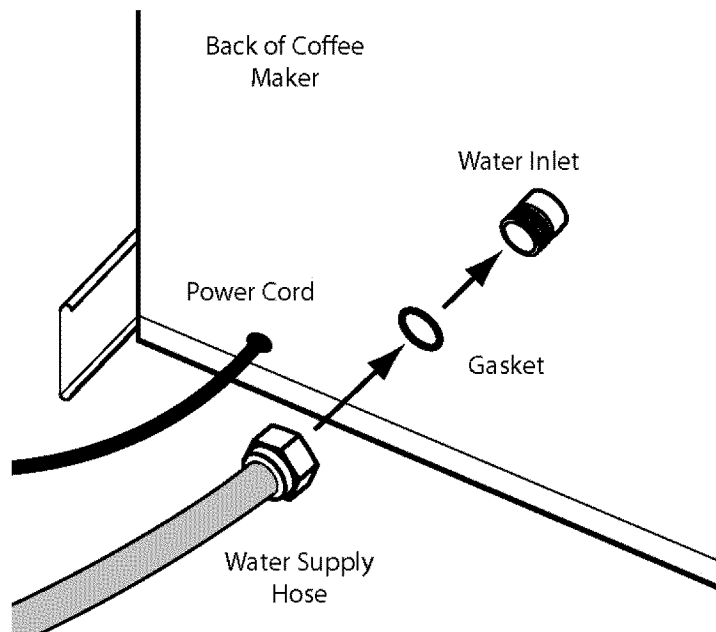
- Disconnect the power plug from the power receptacle.
 - Press the respective locking tabs on the glides and remove the appliance, supporting it from below.
-

CONNECTING THE PLUMBING (E24CM76GSS)



⚠WARNING

- To prevent damage to the coffee system due to hard water, prior to installation, check the water hardness for the building where you will be installing the coffee maker. See page 12
 - To avoid leaks, do not overtighten fittings.
-
- Insert the 3/4" gasket into the 3/4" fitting on the water supply hose. Make sure it is properly seated.
 - Connect the 3/4" end of the hose to the water inlet on the back of the coffee maker.
 - Insert the 1/4" gasket into the 1/4" fitting on the water supply hose. Make sure it is properly seated.
 - Connect the other end (1/4") of the hose to the water supply.



18 Installation

VERIFYING OPERATION



⚠WARNING

- Read the use and care guide completely before operation.
- To keep the grinder from jamming, pour only roasted, unflavored coffee beans into the coffee bean container.
- Plug the coffee maker into the dedicated, properly grounded, 3-prong power receptacle.
- Test the lights by turning the light switch on and off. It is located on the brewing compartment ceiling, on the far right.
- Turn on the power switch. It is located near the middle of the brewing compartment ceiling.
- On model E24CM76GSS (plumbed model): Turn on the water supply at the shut-off valve. Check the water lines for leaks.
- On model E24CM75GSS (tank model): Fill the tank with filtered water (4 gpg maximum water hardness, do not use distilled water).
- Push the **Hot Water** button. Wait about six (6) seconds.
- Continue to push the hot water button every six (6) seconds until air bubbles no longer come out of the dispenser and about six (6) ounces of water is dispensed.
- Clean the coffee system according to the *Routine Cleaning* and *Flushing Out the Coffee Maker* sections in the use and care guide. On model E24CM75GSS, clean the water tank.
- Put a sauce pan under the drink dispenser.
- Make one of each type of drink in the *Operation Instructions* section of the use and care guide.



If the coffee maker does not operate properly, follow these troubleshooting steps:

1. Verify that power and water are being supplied to the coffee maker. On model E24CM75GSS, make sure the water tank is full.
 2. Make sure that the coffee bins have been properly filled according to the use and care guide.
 3. Check the regulator to make sure it is properly adjusted. Air in the system during initial operation can cause the initial adjustment to be incorrect.
-

Troubleshooting (Continued)

4. Check the *Solutions to Common Problems* section of the use and care guide.
5. Repeat the verification process.
6. If the appliance still does not work, contact an authorized Electrolux at the phone number inside the front cover.

INSTALLATION CHECKLIST



⚠WARNING

- To ensure a safe and proper installation, the following checklist should be completed by the installer to ensure that no part of the installation has been overlooked.
 - Proper installation is the responsibility of the customer. The importance of proper installation of your coffee maker cannot be overemphasized.
- Is the coffee maker connected to, or using only soft water (4 gpg maximum hardness)? See page 12.
 - Has the coffee maker been cleaned completely prior to use as specified in the use and care guide. See the use and care guide.
 - Is the coffee maker connected to a dedicated, grounded power receptacle? See page 9.
 - Is there a vent hole in the back of the cabinet to allow heat to escape. See page 7.
 - Is the steam barrier installed. See Page 11.
 - Are the cabinet glides properly adjusted. See page 15.
 - Is the coffee maker locked into the locking tabs on the glides? See page 16.
 - On E24CM76GSS: Have the water lines been inspected for leaks?
 - Has the installer verified proper operation? See facing page.
-



1-877-4Electrolux

www.electroluxusa.com
www.electroluxca.com