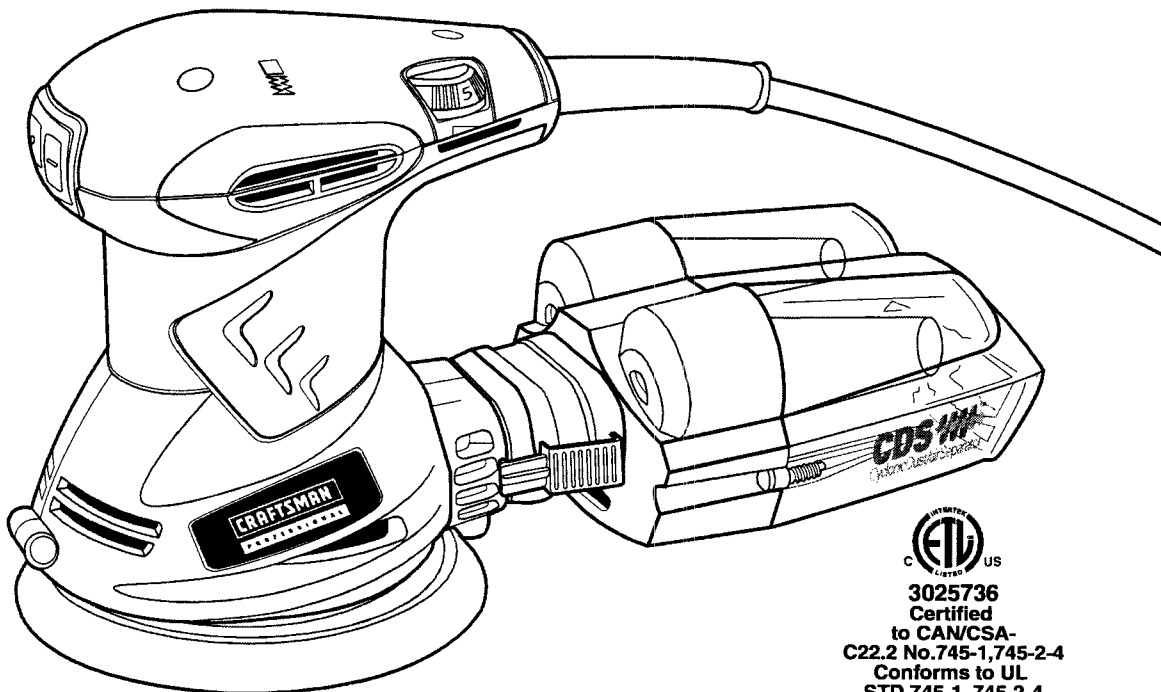


Operator's Manual



3.0 Amp / 5-in. Diameter Cyclonic Dust-Air Separator (CDS) Collection System Random Orbital Sander

Model No. 172.27673



CAUTION: Read, understand and follow all Safety Rules and Operating Instructions in this manual before using this product.

Sears, Roebuck and Co., Hoffman Estates, IL 60179 U.S.A.
Visit our Craftsman® website: www.sears.com/craftsman


3025736
Certified
to CAN/CSA-
C22.2 No.745-1,745-2-4
Conforms to UL
STD 745-1, 745-2-4

Double Insulated

- WARRANTY
- SAFETY
- UNPACKING
- DESCRIPTION
- ASSEMBLY
- OPERATION
- MAINTENANCE

TABLE OF CONTENTS

Warranty.....	Page	2
Safety Symbols.....	Page	3
Safety Instructions.....	Pages	4 - 10
Unpacking	Pages	10 - 11
Description.....	Pages	11 - 12
Assembly.....	Pages	13 - 16
Operation.....	Pages	16 - 19
Maintenance.....	Pages	20 - 21
Accessories.....	Page	21
Partlist.....	Pages	22 - 23
Sears Repair Parts Phone Numbers.....	Back Cover	

ONE YEAR FULL WARRANTY ON CRAFTSMAN® PROFESSIONAL TOOL

If this Craftsman Professional Tool fails due to a defect in material or workmanship within one year from the date of purchase, **RETURN IT TO ANY SEARS STORE OR PARTS AND REPAIR CENTER OR OTHER CRAFTSMAN OUTLET IN THE UNITED STATES FOR FREE REPAIR (OR REPLACEMENT IS REPAIR PROVES IMPOSSIBLE).**

This warranty does not include expendable parts such as lamps, batteries, bits, blades or sandpaper.

This warranty gives you specific legal rights, and you may have other rights, which vary from state to state.


Sears, Roebuck and Co., Hoffman Estates, IL 60179

**SAVE THESE INSTRUCTIONS!
READ ALL INSTRUCTIONS!**

⚠ WARNING: Some dust created by using power tools contains chemicals known to the State of California to cause cancer and birth defects or other reproductive harm.

SAFETY SYMBOLS

The purpose of safety symbols is to attract your attention to possible dangers. The safety symbols, and the explanations with them, deserve your **careful attention and understanding**. The symbol warnings **DO NOT** by themselves eliminate any danger. The instructions and warnings they give are no substitutes for proper accident prevention measures.

 **WARNING: BE SURE** to read and understand all safety instructions in this manual, including all safety alert symbols such as “DANGER”, “WARNING” and “CAUTION”, **BEFORE** using this tool. Failure to follow all instructions listed below may result in electric shock, fire and/or serious personal injury.

SYMBOL MEANING



SAFETY ALERT SYMBOL: Indicates DANGER, WARNING, OR CAUTION. May be used in conjunction with other symbols or pictographs.



DANGER

Failure to obey this safety warning **WILL** result in death or serious injury to yourself or to others. Always follow the safety precautions to reduce the risk of fire, electric shock and personal injury.



WARNING

Failure to obey this safety warning **CAN** result in death or serious injury to yourself or to others. Always follow the safety precautions to reduce the risk of fire, electric shock and personal injury.



CAUTION


Failure to obey this safety warning **MAY** result in personal injury to yourself or others or property damage. Always follow the safety precautions to reduce the risk of fire, electric shock and personal injury.

DAMAGE PREVENTION AND INFORMATION MESSAGES


These inform user of important information and/or instructions that could lead to equipment or other property damage if not followed. Each message is preceded by the word “NOTE:” as in the example below:

NOTE: Equipment and/or property damage may result if these instructions are not followed.



 **WARNING:** The operation of any power tool can result in foreign objects being thrown into your eyes, which can result in severe eye damage. Before beginning power tool operation, **ALWAYS** wear safety goggles or safety glasses with side shield and a full-face shield when needed. We recommend a Wide Vision Safety Mask for use over eyeglasses or standard safety glasses with side shield, available at Sears Stores or other Craftsman Outlets.

SAFETY INSTRUCTIONS

 **WARNING: BE SURE to read and understand all instructions in this manual before using this power tool. Failure to follow all instructions may result in electric shock, fire and / or serious personal injury.**

WORK AREA SAFETY

1. **Keep your work area clean and well lit.** Cluttered workbenches and dark areas invite accidents.
2. **DO NOT operate power tools in explosive atmospheres, such as in the presence of flammable liquids, gases, or dust.** Power tools create sparks which may ignite the dust or fumes.
3. **Keep bystanders, children and visitors away while operating a power tool.** Distractions can cause you to lose control.
4. **Make your workshop childproof** with padlocks and master switches. Lock tools away when not in use.
5. **MAKE SURE the work area has ample lighting** so you can see the work and that there are no obstructions that will interfere with safe operation **BEFORE** using your power tool.

PERSONAL SAFETY

1. **KNOW your power tool.** Read the operator's manual carefully. Learn the tool's applications and limitations, as well as the specific potential hazards related to this tool.
2. **STAY ALERT,** watch what you are doing and use common sense when operating a power tool.
3. **DO NOT** use tool while tired or under the influence of drugs, alcohol or medication. A moment of inattention while operating power tools may result in serious personal injury.
4. **DRESS properly. DO NOT** wear loose clothing or jewelry. Pull back long hair. Keep your hair, clothing, and gloves away from moving parts. Loose clothing, or long hair can be caught in moving parts. Air vents often cover moving parts and should also be avoided.
5. **AVOID** accidental starting. Be sure switch is in "OFF" position before plugging in. **DO NOT** carry tools with your finger on the switch. Carrying tools with your finger on the switch or plugging in tools that have the switch in the "ON" position invites accidents.
6. **REMOVE** adjusting keys or blade wrenches before turning a tool "ON". A wrench that is left attached to a rotating part of a tool may result in personal injury.
7. **Do not overreach. Keep proper footing and balance at all times.** Proper footing and balance enables better control of the tool in unexpected situations.
8. **ALWAYS SECURE YOUR WORK.** Use clamps or a vise to hold work when practical. It is safer than using your hand and frees both hands to operate tool.
9. **USE SAFETY EQUIPMENT. Always** wear eye protection. Dust mask, non-skid safety shoes, hard hat, or hearing protection must be used for appropriate conditions.

SAFETY INSTRUCTIONS cont.

TOOL USE AND CARE SAFETY

⚠ WARNING: BE SURE to read and understand all instructions before operating this power tool. Failure to follow all instructions listed below may result in electric shock, fire and/or serious personal injury.

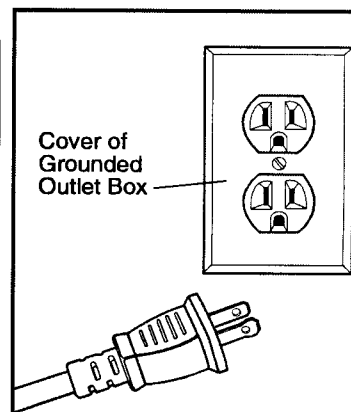
1. **ALWAYS use clamps or other practical ways to secure and support the workpiece to a stable platform.** Holding the work by hand or against your body is unstable and may lead to loss of control.
2. **DO NOT force the tool. Use the correct tool for your application.** The correct tool will do the job better and safer at the rate for which it is designed.
3. **DO NOT use the tool if switch does not turn it “On” or “Off”.** Any tool that cannot be controlled with the switch is dangerous and must be repaired.
4. **DISCONNECT the plug from the power source before making any adjustments, changing accessories or storing the tool.** Such preventive safety measures reduce the risk of starting the tool accidentally.
5. **STORE idle tools out of the reach of children and other untrained persons.** Tools are dangerous in the hands of untrained users.
6. **MAINTAIN tools with care. Keep cutting tools sharp and clean.** Properly maintained tools with sharp cutting edges are less likely to bind and are easier to control.
7. **Keep sandpaper clean, remove excess build-up of dust and debris.** Replace sandpaper when worn, this will provide better sanding results.
8. **CHECK for misalignment or binding of moving parts, breakage of parts, and any other condition that may affect the tool’s operation. If damaged, have the tool serviced before using.** Many accidents are caused by poorly maintained tools.
9. **USE ONLY accessories that are recommended for this tool.** Accessories that may be suitable for one tool may become hazardous when used on another tool.

⚠ WARNING: Empty dust bag before storage to help prevent possible fire hazard, especially when resin coating or linseed oil finishes have been sanded.

ELECTRICAL SAFETY

⚠ WARNING: Do not permit fingers to touch the terminals of plug when installing or removing the plug from the outlet.

1. **Double insulated tools are equipped with a polarized plug (one blade is wider than the other). This plug will fit in a polarized outlet only one way.** If the plug does not fit fully in the outlet, reverse the plug. If it still does not fit, contact a **qualified electrician** to install a polarized outlet. Do not change the plug in any way.



SAFETY INSTRUCTIONS cont.

ELECTRICAL SAFETY

⚠ WARNING: Do not permit fingers to touch the terminals of plug when installing or removing the plug from the outlet.

2. Double insulation eliminates the need for the three-wire grounded power cord and grounded power supply system. Applicable only to Class II (double-insulated) tools. **This tool is a double insulated tool.**

⚠ WARNING: Double insulation **DOES NOT** take the place of normal safety precautions when operating this tool.

3. **BEFORE** plugging in the tool, **BE SURE** that the outlet voltage supplied is within the voltage marked on the tool's data plate. **DO NOT** use "AC only" rated tools with a DC power supply.
4. **AVOID body contact with grounded surfaces**, such as pipes, radiators, ranges and refrigerators. There is an increased risk of electric shock if your body is grounded.
5. **DO NOT expose power tools to rain or wet conditions or use power tools in wet or damp locations.** Water entering a power tool will increase the risk of electric shock.
6. **INSPECT tool cords for damage.** Have damaged tool cords repaired at a **Sears Service Center**. **BE SURE** to stay constantly aware of the cord location and keep it well away from moving parts.
7. **DO NOT abuse the cord. NEVER use the cord to carry the tool by or to pull the plug from the outlet.** Keep cord away from heat, oil, sharp edges or moving parts. Replace damaged cords immediately. Damaged cords increase the risk of electric shock.

EXTENSION CORDS

Use a proper extension cord. ONLY use cords listed by Underwriters Laboratories (UL). Other extension cords can cause a drop in line voltage, resulting in a loss of power and overheating of tool. For this tool an AWG (American Wire Gauge) size of a least 14-gauge is recommended for an extension cord of 25-ft. or less in length. Use 12-gauge for an extension cord of 50-ft. **Extension cords 100-ft. or longer are not recommended.** Remember, **a smaller wire gauge size has greater capacity than a larger number** (14-gauge wire has more capacity than 16-gauge wire; 12-gauge wire has more capacity than 14-gauge). When in doubt use the smaller number. When operating a power tool outdoors, use an outdoor extension cord marked "W-A" or "W". These cords are rated for outdoor use and reduce the risk of electric shock.

⚠ CAUTION: Keep the extension cord clear of the working area. Position the cord so that it will not get caught on lumber, tools or other obstructions while you are working with a power tool.

⚠ WARNING: Check extension cords before each use. If damaged replace immediately. Never use tool with a damaged cord since touching the damaged area could cause electrical shock, resulting in serious injury.

SAFETY INSTRUCTIONS cont.

SAFETY SYMBOLS FOR YOUR TOOL

The label on your tool may include the following symbols.

V	Volts
A	Amps
Hz	Hertz
W	Watts
min	Minutes
~	Alternating current
—	Direct current
n ₀	No-load speed
□	Class II construction, Double Insulated
RPM	Revolutions per minute
SPM	Strokes per minute
OPM	Orbits per minute
⚠	Indicates danger, warning or caution. It means attention! Your safety is involved.

SERVICE SAFETY

1. **If any part of this tool is missing or should break, bend, or fail in any way; or should any electrical component fail to perform properly: SHUT OFF** the power switch and remove the tool's plug from the power source and have the missing, damaged or failed parts replaced **BEFORE** resuming operation.
2. **Tool service must be performed only at a Sears Service Center.** Service or maintenance performed by unqualified personnel could result in a risk of injury.
3. **When servicing a tool, use only identical replacement parts. Follow instructions in the maintenance section of this manual.** Use of unauthorized parts or failure to follow maintenance instructions may create a risk of electric shock or injury.

SAFETY RULES FOR POWER SANDERS

1. **HOLD TOOL by insulated gripping surfaces** when sanding where tool may contact hidden wiring, such as walls, floors, or its own power cord. Contact with a "live" wire will make exposed metals parts of the tool "live" and shock the operator.
2. **INSPECT FOR AND REMOVE** all nails, screws, staples or any embedded pieces of metal from surface to be sanded. These protrusions could damage the sandpaper, the cushion of the sander and cause loss of control. Following this rule will reduce the risk of serious personal injury and damage to the sander.
3. **NEVER use this or any power sander for wet sanding or liquid polishing.** Failure to follow this rule will increase the risk of electric shock.
4. **ALWAYS clamp the workpiece** securely so it will not move under the sander. Unsecured work could be thrown towards the operator, causing injury.
5. **DO NOT force the sander.** The weight of the sander supplies adequate pressure. Let the sander and the grit on the sandpaper do the work.
6. **DO NOT sand in any one place for too long.** The sander's rapid action may remove too much material and make the surface uneven.

SAFETY INSTRUCTIONS cont.

⚠ WARNING: Some dust created by using power tools contains chemicals known to the State of California to cause cancer and birth defects or other reproductive harm. Some examples of these chemicals are:

- Lead from lead-based paints.
- Crystalline silica from bricks and cement and other masonry products.
- Arsenic and chromium, from chemically treated lumber.

Your risk from these exposures varies, depending upon how often you do this type of work. To reduce your exposure to these chemicals:

- Work in a well-ventilated area.
- Work with approved safety equipment, such as those dust masks that are specially designed to filter out microscopic particles.

Avoid prolonged contact with dust from power sanding, sawing, grinding, drilling and other construction activities. Wear protective clothing and wash exposed areas with soap and water. Allowing dust to get into your mouth, eyes, or lay on the skin may promote absorption of harmful chemicals.

⚠ WARNING: Use of this tool can generate and/or disburse dust, which may cause serious and permanent respiratory or other injury. Always use NIOSH/OSHA approved respiratory protection appropriate for the dust exposure. Direct particles away from face and body.

⚠ WARNING: Collected sanding dust from sanding surface coatings (polyurethane, linseed oil, etc.) can self-ignite in sander dust box or elsewhere and cause fire. To reduce risk, empty dust box frequently and strictly follow sander manual and coating manufacturer's instructions.

⚠ CAUTION: When working on metal surfaces, **DO NOT** use the dust box or a vacuum cleaner because sparks are generated. Wear safety glasses and a dust mask. Due to the danger of fire, do not use your sander to sand magnesium surfaces. Do not use for wet sanding.

SANDING PAINTS

SANDING LEAD BASED PAINT is NOT RECOMMENDED due to the difficulty of controlling the contaminated dust. The greatest danger of lead poisoning is to children and pregnant women.

Since it is difficult to identify whether or not a paint contains lead without a chemical analysis, we recommend the following precautions when sanding any paint:


- **NO** children or pregnant women should enter the work area where the paint sanding is being done until all clean up is completed.
- A dust mask or respirator should be worn by all persons entering the work area. The filter should be replaced daily, or whenever (if) the wearer has difficulty breathing.

SAFETY INSTRUCTIONS cont.

NOTE: Only those dust masks suitable for working with lead paint dust and fumes should be used. Ordinary painting masks do not offer this protection. See your local hardware dealer for the proper (NIOSH approved) mask.

- **NO EATING, DRINKING OR SMOKING** should be done in the work area to prevent ingesting contaminated paint particles. Workers should wash and clean up **BEFORE** eating, drinking or smoking. Articles of food, drink, or smoking should **NOT** be left in the work area where contaminated dust would settle on them.
- Paint should be removed in such a manner as to minimize the amount of dust generated.
- Areas where paint removal is occurring should be sealed with plastic sheeting of 4 mils thickness.
- Sanding should be done in a manner to reduce tracking of paint dust outside the work area.
- All surfaces in the work area should be vacuumed and thoroughly cleaned daily for the duration of the sanding project. Vacuum filter bags should be changed frequently.
- Plastic drop cloths should be gathered up and disposed of along with any dust chips or other removal debris. They should be placed in sealed refuse receptacles and disposed of through regular trash pick-up procedures. During clean up, children and pregnant women should be **KEPT AWAY** from the immediate work area.
- All toys, washable furniture and utensils used by children should be washed thoroughly before being used again.

ADDITIONAL RULES FOR SAFE OPERATION

 **WARNING: BE SURE to read and understand all instructions. Failure to follow all instructions listed below may result in electric shock, fire and/or serious personal injury.**

1. **Know your power tool. Read operator's manual carefully.** Learn the applications and limitations, as well as the specific potential hazards related to this tool. Following this rule will reduce the risk of electric shock, fire or serious injury.
2. **ALWAYS wear safety glasses or eye shields when using this tool.** Everyday eyeglasses have only impact-resistant lenses; they are **NOT** safety glasses.
3. **PROTECT your lungs.** Wear a face mask or dust mask if the operation is dusty.
4. **PROTECT your hearing.** Wear appropriate personal hearing protection during use. Under some conditions noise from this product may contribute to hearing loss.
5. **ALL VISTORS AND BYSTANDERS MUST** wear the same safety equipment that the operator of the tool wears.

SAFETY INSTRUCTIONS cont.

ADDITIONAL RULES FOR SAFE OPERATION cont.

6. **INSPECT the tool cords periodically and if damaged have them repaired at your nearest Sears Service Center. ALWAYS BE AWARE of the cord location.**
7. **ALWAYS check the tool for damaged parts.** Before further use of the tool, a guard or other part that is damaged should be carefully checked to determine if it will operate properly and perform its intended function. Check for misalignment or binding of moving parts, breakage of parts, and any other condition that may affect the tool's operation. A guard or other part that is damaged should be properly repaired or replaced at a Sears Service center.
8. **SAVE THESE INSTRUCTIONS. Refer to them frequently and use them to instruct others who may use this tool. If someone borrows this tool, make sure they have these instructions also.**

UNPACKING

⚠ WARNING: This power tool should NEVER be connected to the power source when you are assembling parts, making adjustments, installing or removing sandpaper, cleaning or when it is not in use. Disconnecting the sander will prevent accidental starting, which could cause serious personal injury.

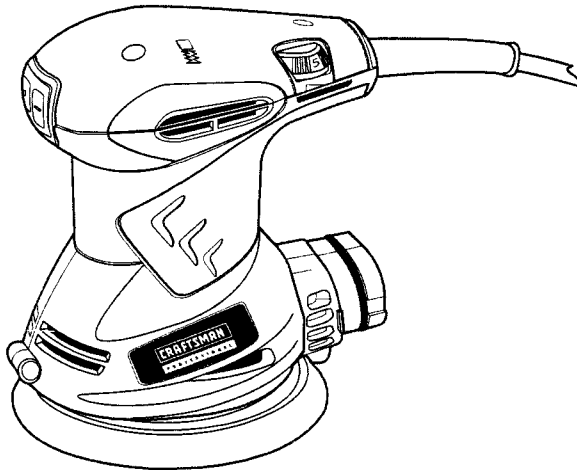
1. Remove the **sander** from the **carton** and inspect it carefully to make sure that no breakage or damage has occurred during shipping.
2. Do not discard any of the packing materials until all parts are accounted for.
3. Included with your sander is a **cyclonic dust box assembly**.
4. **2 discs of hook and loop sandpaper** are included; one fine grit, and one medium grit.
5. **Dual Dust Port Vac Adapter** is included.
6. If any of the parts are damaged or missing (refer to PARTS LIST below), return the sander to your nearest Sears store or Craftsman outlet to have the sander replaced.

⚠ WARNING: If any parts are missing, DO NOT operate this power tool until the missing parts are replaced. Failure to do so could result in possible serious personal injury.

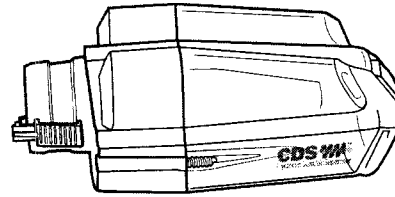
UNPACKING cont.

PARTS LIST (Fig. 1)

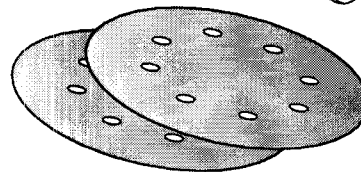
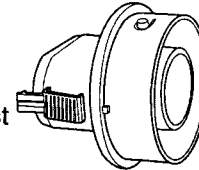
1. Sander



2. Cyclonic Dust Box



3. Vac Adapter with Dual Dust Ports



4. Two 5-in. Hook and Loop Sanding Discs with Pre-Punched Holes

5. Operator's Manual

DESCRIPTION

KNOW YOUR RANDOM ORBIT SANDER (Fig. 2)

NOTE: Before attempting to use your sander, familiarize yourself with all of the operating features and safety requirements.

Your Professional 5" Random Orbit Sander has a precision-built electric motor and it should be connected to a 120-volt, 60-Hz AC ONLY power supply (normal household current). **DO NOT** operate on direct current (DC). The large voltage drop will cause a loss of power and the motor will overheat. If the sander does not operate when plugged into correct 120-volt, 60-Hz AC ONLY outlet, check the power supply. This sander has a 10-ft., 2-wire power cord (no adapter needed).

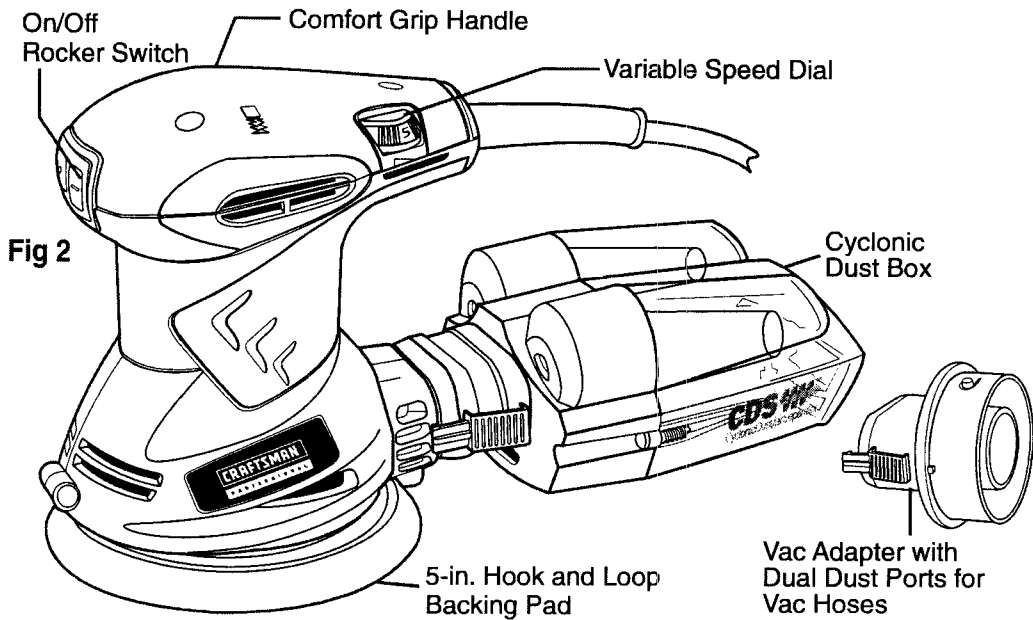
This Random Orbit Sander has the following features:

1. **Powerful 3.0 amp motor** provides the torque, power and durability for a variety of continuous sanding applications.
2. **Variable speed 5,000 to 12,000 OPM orbits per minute (no-load speed)** is controlled by variable speed dial. Match with the correct speed and sandpaper grit to the surface being sanded for either fast material removal or a fine, smooth finish.
3. **Random orbital action** with 1/16-in. orbit diameter helps to provide a swirl free finish.
4. **Ergonomically designed Palm Grip Handle with Molded-in Comfort Grip** for maximum balance, control, gripping comfort and reduced operator fatigue.
5. **Precision-tuned counterbalanced system** reduces vibration for smooth operation and less operator fatigue.

DESCRIPTION cont.

This Random Orbit Sander has the following features cont.:

6. **On/Off rocker switch** is conveniently located for easy control. Sealed to keep out dust for long life.
7. **Hook and Loop Backing Pad** for easy attachment of hook and loop type sanding discs with pre-punched holes.
8. **High impact-resistant housing** helps protect tool from damage and reduces weight.
9. **Cyclonic Dust/Air Separator (CDS) Collection System** Dust Box features advanced air flow design with centrifugal force dust extraction that separates the dust particles from the air flow as they enter the box. The clean air then flows out of the box while the dust particles are trapped inside. This system provides more efficient dust collection than the standard dust bag system.
10. **Vac Adapter with Dual Dust Ports for Vac Hoses** Allows connection to 1 1/4 or 2 1/2-inch vac hose and wet / dry vac (sold separately).
11. **Permanently lubricated 100% ball bearings** for smooth operation and long life.



PRODUCT SPECIFICATIONS	
No-load Speed	5000-12000 OPM orbits per minute variable speed
Rating	120 Volts, 60 Hz AC
Input	3.0 Amps
Orbit Diameter	1/16-inch
Sanding Disc Size	5-in. Diameter
Paper Type	Hook and Loop Discs with Pre-Punches holes

ASSEMBLY

⚠ WARNING: Your sander should **NEVER** be connected to the power source when you are assembling parts, making adjustments, installing or removing sandpaper, cleaning or when it is not in use. Disconnecting the sander will prevent accidental starting, that could cause serious personal injury.

INSTALLING THE SANDPAPER (See Fig. 3)

ALWAYS inspect the sandpaper before installing. **DO NOT** use if broken or defective.

1. Unplug the sander.

⚠ WARNING: Failure to unplug the sander could result in accidental starting causing possible serious personal injury.

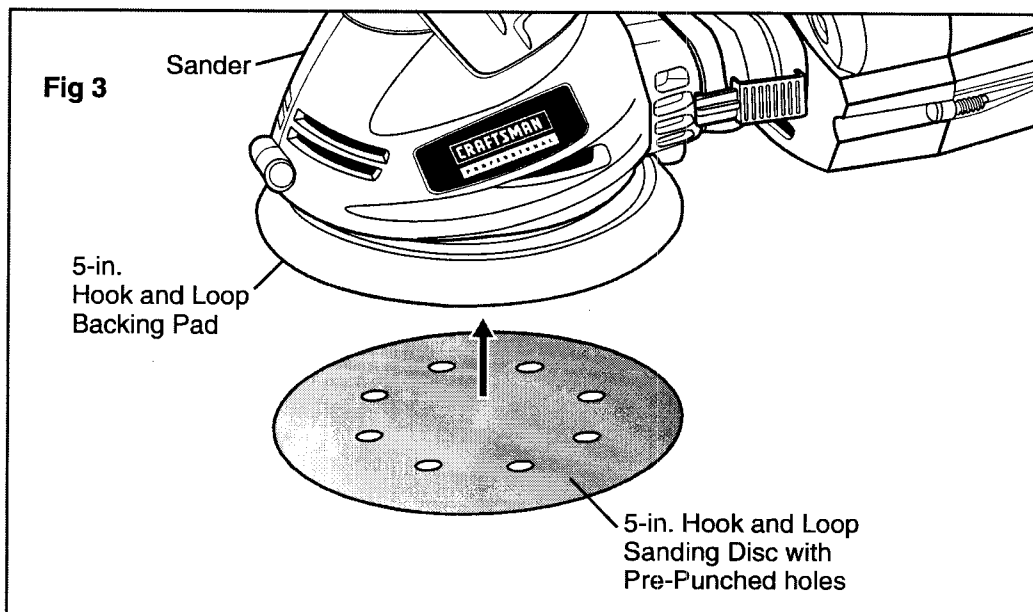
NOTE: Remove cyclonic dust box assembly when installing sandpaper. **ALWAYS** remember to reattach the cyclonic dust box assembly before beginning sanding operation (see page 14, Fig. 4).

2. Align the holes in the sanding disc with the holes in the hook and loop backing pad.

NOTE: Holes in sanding disc must line up with holes in the backing pad in order for the dust collection feature of the sander to function properly.

3. Press the sanding disc against the backing pad as firmly as possible.

NOTE: For best adhesion, we recommend that you clean the backing pad and the sanding disc backing occasionally by brushing them lightly with a small brush.



ASSEMBLY cont.

DUST BOX / DUST COLLECTION

⚠ WARNING: Collected sanding dust from sanding surface coatings (polyurethane, linseed oil, etc.) can self-ignite in sander dust box or elsewhere and cause fire. To reduce risk, empty dust box frequently and strictly follow sander manual and coating manufacturer's instructions.

⚠ WARNING: When working on metal surfaces, DO NOT use the dust box or a vacuum cleaner because sparks are generated. Wear safety glasses and a dust mask. Due to the danger of fire, do not use your sander to sand magnesium surfaces. Do not use for wet sanding.

CYCLONIC DUST/AIR SEPARATOR (CDS) COLLECTION SYSTEM

Dust Box features advanced air flow design with centrifugal force dust extraction that separates the dust particles from the air flow as they enter the box. The clean air then flows out of the box while the dust particles are trapped inside. This system provides more efficient dust collection than the standard dust bag system.

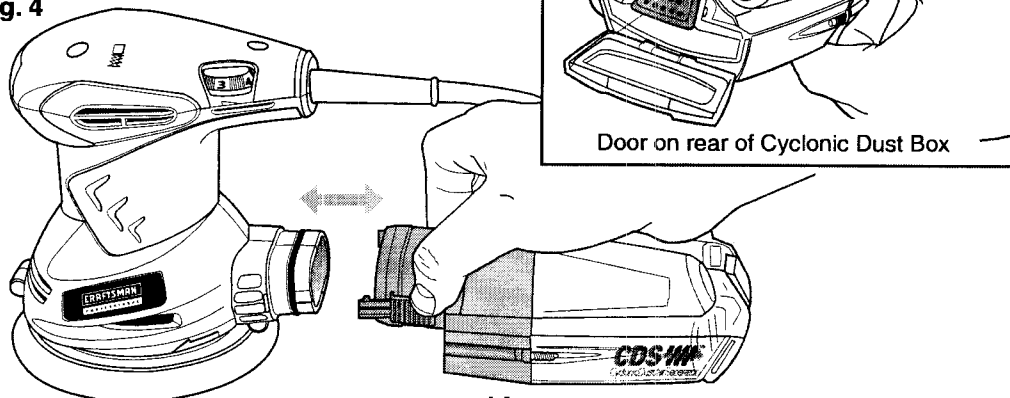
TO REMOVE AND EMPTY DUST BOX (See Fig. 4)

1. Unplug the sander.

⚠ WARNING: Failure to unplug the sander could result in accidental starting causing possible serious personal injury.

2. Locate two tab connectors on either side of cyclonic dust box and squeeze together. This disconnects dust box from sander.
3. Slide dust box off sander dust exhaust.
4. Cyclonic Dust box has black button on rear that pushes in to open a small door in rear of box (see Fig. 4a). Dust can be emptied from this door. Shake box aggressively to completely empty. To close door, simply push in until it clicks shut.
5. To reattach dust box, push box until two tab connectors on sides catch on to sander. You will hear them click.
6. Your sander is now ready to use.

Fig. 4



ASSEMBLY con.

TO REMOVE AND EMPTY DUST BOX cont.

NOTE: Empty dust box frequently so dust collection system works properly. For more efficient operation, empty dust box when it is no more than 1/2 full. This will allow better airflow through the box.

⚠ WARNING: Empty dust box before storage to help prevent possible fire hazard, especially when resin coating or linseed oil finishes have been sanded.

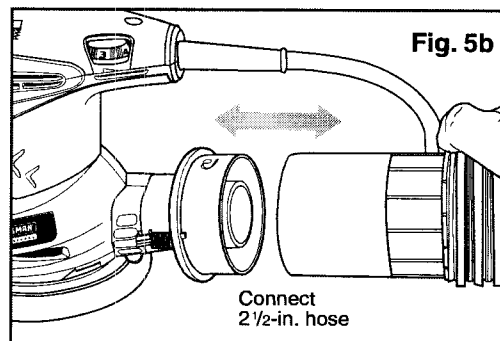
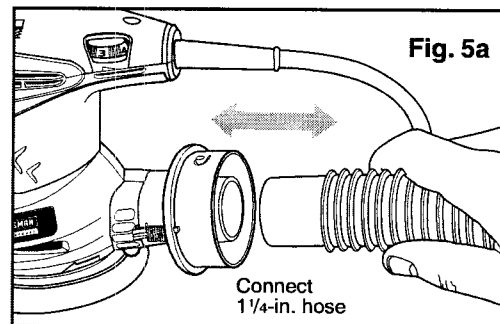
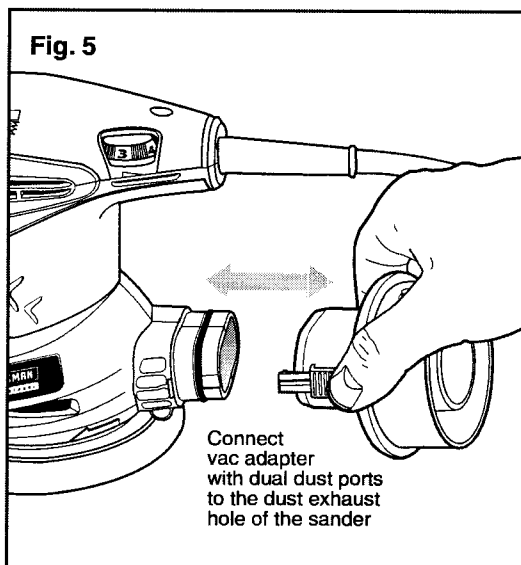
ATTACHING VAC HOSE TO THE DUAL DUST PORT ADAPTER (See Fig. 5, 5a and 5b)

When sanding for extended periods of time, you can easily attach your sander to a vac hose and wet/dry vac (sold separately).

1. Unplug the sander.

⚠ WARNING: Failure to unplug the sander could result in accidental starting causing possible serious personal injury.

2. Locate two tab connectors on either side of cyclonic dust box and squeeze together. This disconnects dust box from sander.
3. Slide dust box off sander dust exhaust hole and remove box from sander.
4. Attach the Vac Adapter with Dual Dust Ports to the dust exhaust hole of the sander.
5. Attach either a 1¹/₄ or 2¹/₂-in vac hose onto the vac adapter's dual dust ports (see Fig. 5a and 5b).
6. Connect hose to wet / dry vac. Turn vac on while operating sander.



ASSEMBLY cont.

ATTACHING VAC HOSE TO THE DUAL DUST PORT ADAPTER cont.

NOTE: A standard 1¹/₄-in. vac hose connection fits inside the smaller diameter hole inside the dual dust port adapter, while a standard 2¹/₂-in. vac hose connection fits inside the larger hole of the dual dust port adapter

⚠ WARNING: When sander is not connected to vacuum, always install the Cyclonics dust box back on sander. Failure to do so could cause sanding dust or foreign objects to be thrown into the face or eyes, which could result in possible serious injury.

⚠ WARNING: Collected sanding dust from sanding surface coatings (polyurethane, linseed oil, etc.) can self-ignite in sander dust box or elsewhere and cause fire. To reduce risk, empty dust box frequently and strictly follow sander manual and coating manufacturer's instructions.

⚠ CAUTION: When working on metal surfaces, **DO NOT** use the dust box or a vacuum cleaner because sparks are generated. Wear safety glasses and a dust mask. Due to the danger of fire, do not use your sander to sand magnesium surfaces. Do not use for wet sanding.

OPERATION



Before attempting to use any tool, be sure to familiarize yourself with all the operating features and safety instructions.

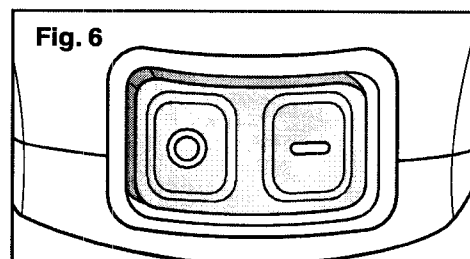
⚠ WARNING: IF ANY PARTS ARE MISSING, DO NOT OPERATE YOUR SANDER UNTIL THE MISSING PARTS ARE REPLACED. FAILURE TO FOLLOW THIS RULE COULD RESULT IN SERIOUS PERSONAL INJURY.

⚠ WARNING: DO NOT let familiarity with your sander make you careless. Remember that a careless fraction of a second is sufficient to cause severe injury.

ON/OFF ROCKER SWITCH (see Fig. 6)

This switch is sealed to help keep out dust for a longer life and is conveniently located near the front of the palm grip handle.

Start the sander by pushing in the part of the switch with the . Let the motor build to its maximum speed before starting sanding operation. To turn sander off, push side of switch with the .

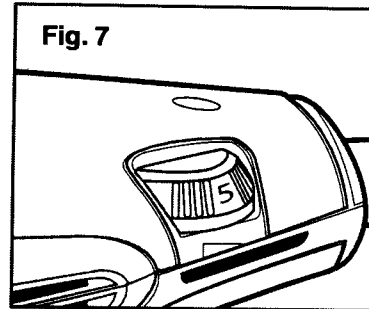


OPERATION cont.

VARIABLE SPEED SWITCH (see Fig. 7)

The variable speed dial allows matching the correct speeds to sandpaper grits and various surfaces and materials being sanded for either fast material removal or a fine smooth finish.

Rotate the dial from 1 to 6, with 1 being the lowest speed and 6 the highest speed.



APPLICATIONS

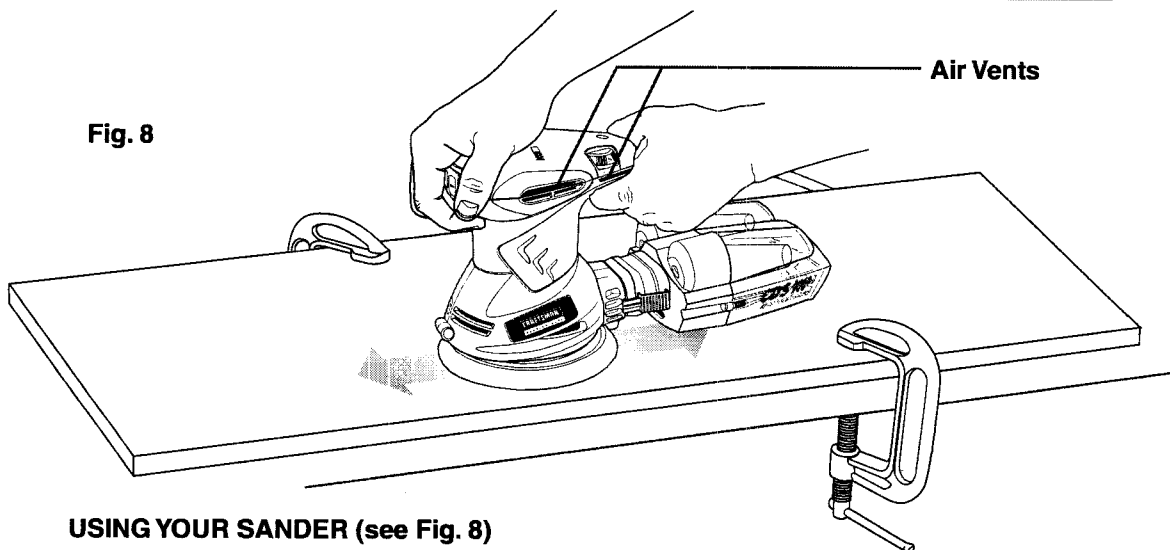
Only use your sander for the applications listed below.

- Sanding wood surfaces with various grits of sandpaper.
- Removing rust from steel surfaces with special sandpaper.

⚠ WARNING: Due to the danger of fire, **DO NOT** use your sander to sand magnesium surfaces. **DO NOT** use for wet sanding.

⚠ WARNING: **ALWAYS** clamp the workpiece. An unsecured workpiece could be thrown towards the operator, causing serious injury.

⚠ CAUTION: When gripping the sander during use, **ALWAYS** be careful not to cover the air vents with your hands (see Fig. 9).



USING YOUR SANDER (see Fig. 8)

1. **ALWAYS** clamp and secure the workpiece to prevent it from moving under sander.
2. Place sander on workpiece so that all of sanding disc surface is in contact with workpiece.
3. Start the sander and move it slowly over workpiece, making successive passes in parallel lines, circles, or crosswise movements.

OPERATION cont.

USING YOUR SANDER cont. (see Fig. 8 on page 17)

4. Upon completion of sanding operation, turn sander off and wait until sanding disc comes to a complete stop before removing from workpiece.
5. Extended periods of sanding may tend to overheat the motor. If this occurs, turn sander off and wait until sanding disc comes to a complete stop, then remove it from workpiece. Remove sanding disc, then turn sander on and run it free without a load (off the workpiece) to cool the motor.

SANDING TIPS

1. **DO NOT force the sander.** The weight of the sander supplies adequate pressure on the workpiece. Let the sander and the sandpaper's grit do the work.
 - Applying additional pressure will only slow down the motor, wear the sandpaper out faster and reduce the sander's orbital speed.
 - Excessive pressure will overload the motor and cause possible damage to the sander from the motor overheating.
 - Excessive pressure will also result in a poor quality finish.
2. Any existing finish or resin on wood may soften from the heat of the friction and cause the sandpaper to load-up faster.
3. Inspect sandpaper frequently and change paper when grit is worn and not able to perform properly.
4. **DO NOT** sand in one spot for too long a time because the sander's rapid action may remove too much material and make the surface uneven.


SELECTING THE RIGHT SANDPAPER

Selecting the correct grit and type of sandpaper is an extremely important decision that will allow you to achieve the best quality sanding finish.

1. Aluminum oxide, silicon carbide and other synthetic abrasives are best for power sanding.
2. Natural abrasives such as flint and garnet are too soft for economical use in power sanding.
3. Coarse grit will remove the most material and finer grit will give you the best finish in all sanding operations.
4. The condition of the surface to be sanded will determine which grit will do the job.
5. **If the surface is rough:**
 - Start with a coarse grit and sand until the surface is uniform.
 - Then use medium to remove any scratches left by the coarse grit.
 - Then use a finer grit for finishing the surface.

NOTE: ALWAYS continue sanding with each grit until the surface is uniform.

NOTE: DO NOT use the sander without sandpaper. This will damage the cushion.

 **WARNING: DO NOT** wear loose clothing or jewelry when operating sander. They could get caught in moving parts, causing serious injury. Keep head away from sander and sanding area. Hair could be drawn into sander, causing serious injury.

OPERATION cont.

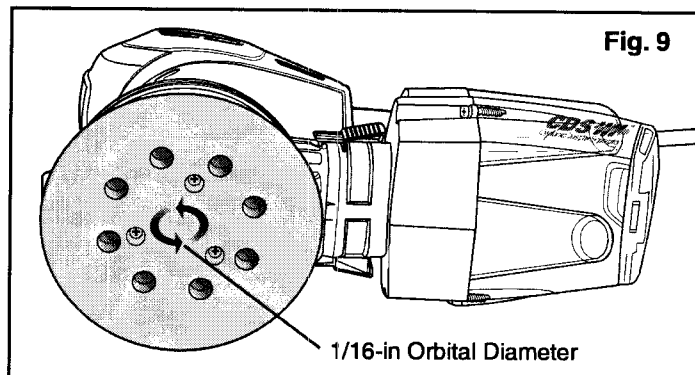
⚠ WARNING: Empty dust box before storage to help prevent possible fire hazard, especially when resin coating or linseed oil finishes have been sanded.

NOTE: Empty dust box frequently when sanding so dust collection system works properly.

ORBITAL MOTION (see Fig. 9)

As shown in Figure 9, the orbit of the sander is 1/16-in. in diameter so the sandpaper moves in tiny circles at very high speed, allowing the sander to move easily. This orbital action duplicates a "hand sanding" motion for more aggressive sanding as you push the sander forward. This powerful orbital action is ideal for heavy-duty sanding applications, such as:

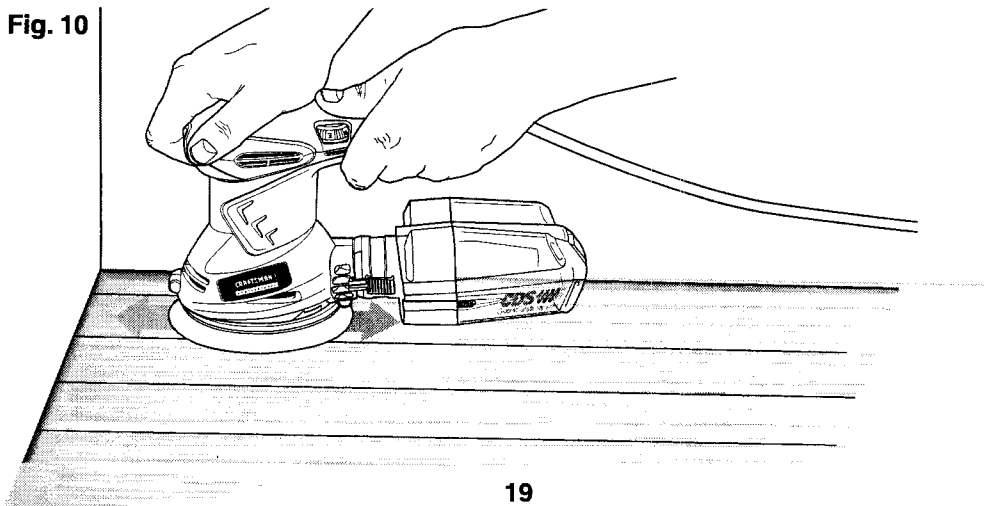
1. Removing old finishes
2. Smoothing rough wood
3. Sanding stock down to required dimensions
4. Finishing surfaces that are to be painted.



FLUSH SANDING (See Fig. 10)

Flush sanding can be performed with the front edge of this sander. Upon completion of sanding operation, turn sander off and wait until sanding disc comes to a complete stop before removing from workpiece.

Fig. 10



MAINTENANCE

⚠ WARNING: To ensure safety and reliability, repairs, maintenance and adjustments **MUST** be performed by a qualified service technician at a Sears Service Center.

⚠ WARNING: For your safety, **ALWAYS** turn off switch and unplug sander from the power source before performing any maintenance or cleaning.

It has been found that electric tools are subject to accelerated wear and possible premature failure when they are used to work on fiber glass boats and sports cars, wallboard, spackling compounds or plaster. The chips and grindings from these materials are highly abrasive to electrical tool parts, such as bearings, brushes, commutators, etc. Consequently, it is not recommended that this tool be used for extended work on any fiberglass material, wallboard, spackling compound or plaster. During any use on these materials, it is extremely important that the tool is cleaned frequently by blowing with an air jet.

⚠ WARNING: Always wear safety goggles or safety glasses with side shields during power tool operations, or when blowing dust. If operation is dusty, also wear a dust mask.

ROUTINE MAINTENANCE

⚠ WARNING: **DO NOT** at any time let brake fluids, gasoline, petroleum-based products, penetrating oils, etc. come in contact with plastic parts. Chemicals can damage, weaken or destroy plastic, which may result in serious personal injury.

Periodic maintenance allows for long life and trouble-free operation. A cleaning and maintenance schedule should be maintained. As a common preventive maintenance practice, follow these recommended steps:

⚠ WARNING: For your safety, **ALWAYS** turn off switch and unplug sander from the power source before performing any maintenance or cleaning.

1. When work has been completed, clean the tool to allow smooth functioning of the tool over time. Clean the tool with compressed air.
2. Use clean damp cloths to wipe the tool. Use a brush to brush off and clean the sander's Backing Pad.
3. Keep the motor air openings free from oil, grease and sawdust or woodchips, and store tool in a dry place.

LUBRICATION

Your Craftsman® Professional Orbital Sander has been properly lubricated and is ready to use. No further lubrication is needed under normal operating conditions. All bearings in the sander are lubricated for the life of the tool.

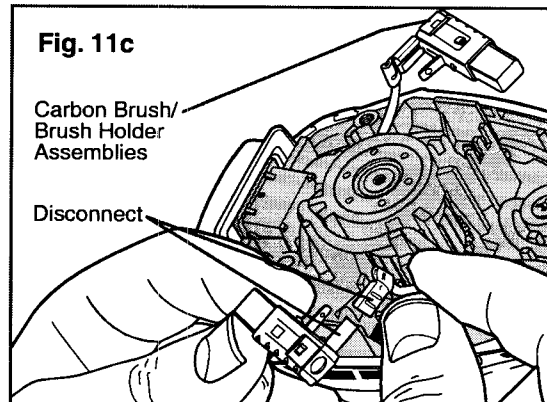
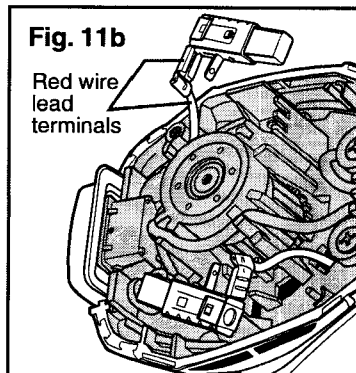
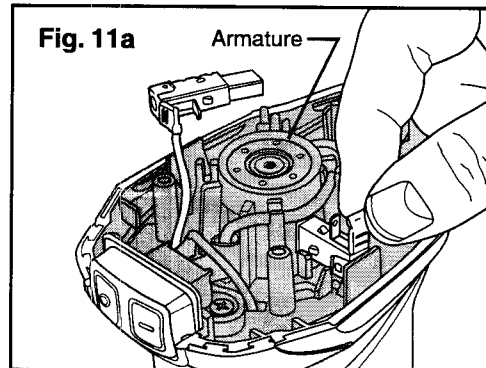
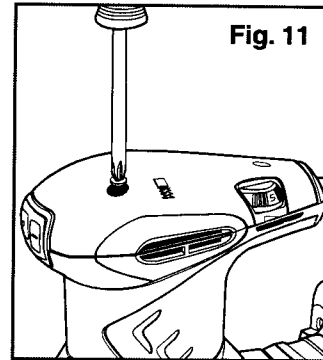
MAINTENANCE cont.

BRUSH REPLACEMENT (see Fig. 11, 11a, 11b and 11c)

1. Unplug the sander.

⚠ WARNING: Failure to unplug the sander could result in accidental starting causing possible serious personal injury.

2. Remove (3) screws from top cover of sander and remove top cover (see Fig. 11).
3. Locate the (2) Carbon Brush / Brush Holder Assemblies (see Fig. 11a). They are connected to red wire lead terminals and are in position on each side of the armature.
4. Carefully lift these (2) assemblies (see Fig. 11a and 11b) out of their positions (**NOTE: Remember how they are positioned so that you can put them back in position correctly.**)
5. Check the ends of the carbon brushes (see Fig. 11b) for wear. If either brush has less than 1/4-in. length of carbon remaining, replace both. **DO NOT REPLACE ONE SIDE WITHOUT REPLACING THE OTHER.**
6. To replace assemblies, disconnect the red wire lead terminals from the assemblies (see Fig. 11c), attach new assemblies to the lead terminals and place the assemblies back into their original positions next to the armature. Make sure the curvature of the end of the brushes matches the curvature of the armature and that the brushes move freely in brush holder assemblies.
7. Reassemble the top cap with the (3) screws and do not overtighten.



ACCESSORIES

⚠ WARNING: The use of attachments or accessories that are not recommended for this tool might be dangerous and could result in serious injury.

Sears and other Craftsman® outlets offer a selection of Craftsman Professional Random Orbit Sander accessories designed for all your sanding applications.

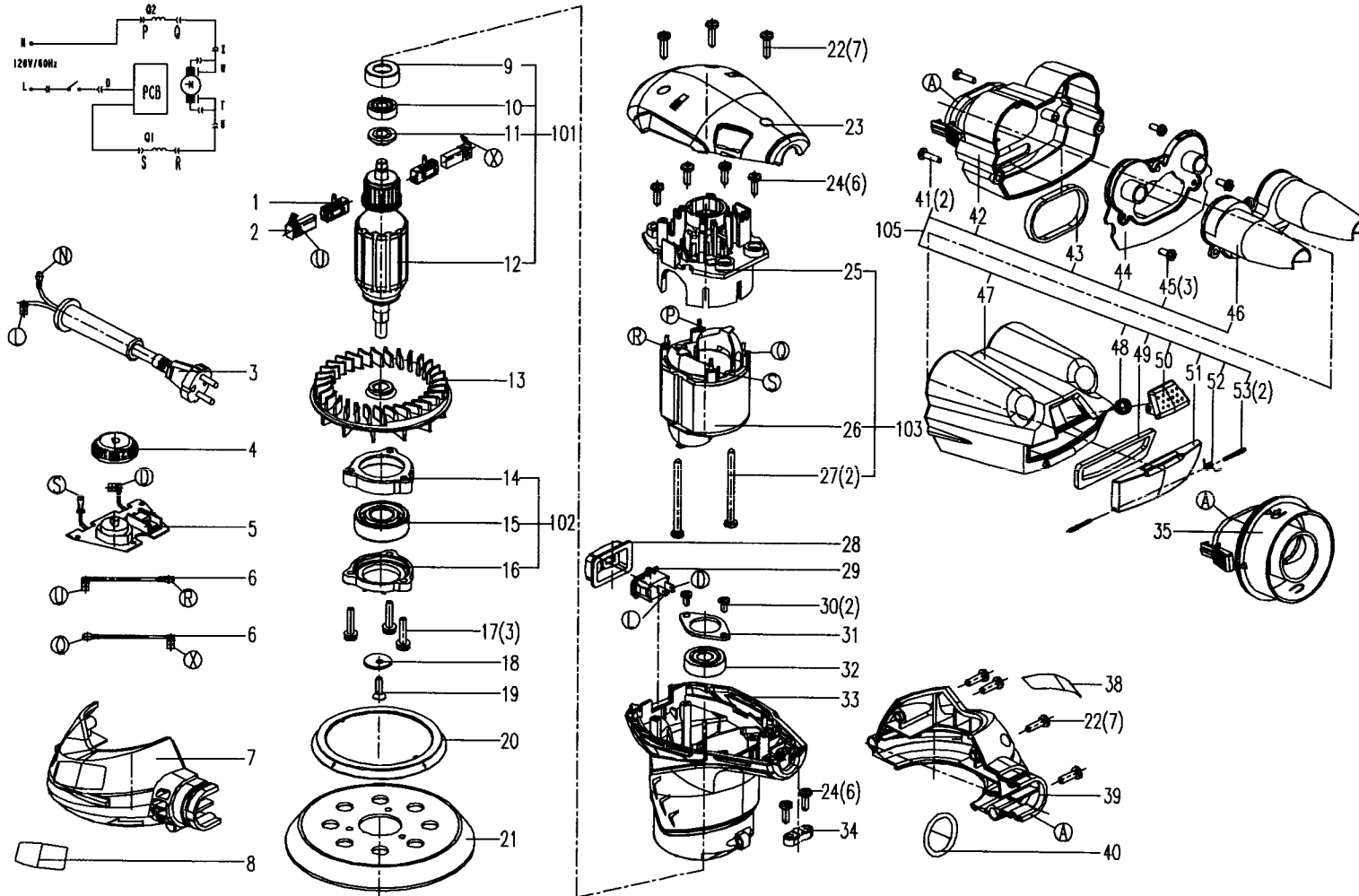
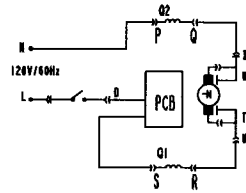
5-inch, 8 Hole, Hook and Loop Sanding Discs come in very fine, fine, medium and coarse grit.

Visit your local Sears store or other Craftsman outlets or shop sears.com/craftsman for all of the accessories for your random orbital sander.

PARTS LIST

5-in. Dia. Random Orbital Sander with Cyclonics MODEL NUMBER 172.27673

The model number will be found on the nameplate of the Random Orbital Sander. Always mention the model number when requesting parts and service for your tool.



PARTS LIST cont.

**5-in. Dia. Random
Orbital Sander with Cyclonics
MODEL NUMBER 172.27673**

The model number will be found on the nameplate of the Random Orbital Sander. Always mention the model number when requesting parts and service for your tool.

24

Item No.	Parts No.	Part Description	Qty.
1	200T0040159000A-00	Brush holder ssembly	2
2	200T0030119000A-00	Carbon brush	2
3	2PES04Q7000000A-00	Power cord	1
4	2PGA17T4001000A-00	Speed adjustment knob	1
5	2PES04Q1010000A-00	Variable speed board	1
6	200T0280179000A-00	Inner wire	2
7	2PES04Q0004000A-00	Left wind baffle	1
8	2PES04Q0011000A-00	Brand label	1
101	2PES04Q2000000A-00	Rotor	1
9	200T0070003000A-00	Bearing sleeve	1
10	200W8000006000A-00	Ball bearing 607-2z-p63	1
11	200T0020005000A-00	Dust proof ring	1
12	20TA9520072000A-00	Armature	1
13	2PES04Q0007000A-00	Fan	1
102	2PES04Q4000000A-00	Bracket seat	1
14	2PES03A1102000A-00	Bracket	1
15	200W8000047000A-00	Ball bearing 6202	1
16	2PES04Q4001000A-00	Bracket	1
17	200W3200029000A-00	Screw washer assembly M4x20	3
18	2PES02A0011000A-00	Washer	1
19	200W3000059000A-00	Screw M4x16	1
20	2PES04Q0006000A-00	Brake ring	1
21	2PES03A2000000A-00	Base plate	1
22	200W4000035000A-00	Screw ST4.2x16	7
23	2PES04Q0002000A-00	Top cover	1
24	200W4000032000A-00	Screw ST4.2x13	6
103	2PES04Q3000000A-00	Stator asm	1
25	2PES04Q3001000A-00	Bracket	1

Item No.	Parts No.	Part Description	Qty.
26	20TA9500080000A-00	Stator	1
27	200W4000052000A-00	Screw ST4.2x55	2
28	2PES02A0002000A-00	Switch cover	1
29	200W0020265000A-00	Switch	1
30	200W4000005000A-00	Screw ST3.5x8	2
31	2PES04Q6001000A-00	Press plate	1
32	200W8500003000A-00	Ball bearing 6000	1
33	2PES04Q0003000A-00	Housing	1
34	200T0200005000A-00	Cord clamp	1
35	2PES04Q5001000A-00	Dust port	1
38	2PES04Q0001000A-00	Rated label	1
39	2PES04Q0005000A-00	Right wind baffle	1
40	200T0080024000A-00	O ring 3x34	1
105	2PES02A0900000A	dust collector box assembly	1
41	200W4000009000A-00	Screw ST3.5x16	2
42	2PES02A0901000A-00	Dust port	1
43	2PES02A0907000A-00	Airproof strip	1
44	2PES02A0911000A-00	Dust proof board	1
45	200W4000006000A-00	Screw ST3.5x10	3
46	2PES02A0912000A-00	Cyclone Duct	1
47	2PES02A0902000A-00	Dust collector	1
48	200T0050034000A-00	Compression spring	1
49	2PES02A0905000A-00	Airproof patch	1
50	2PES02A0904000A-00	Button	1
51	2PES02A0903000A-00	Rear cover	1
52	200T0050208000A-00	Torsional spring	1
53	2PES02A0906000A-00	Pin	2

Get it fixed, at your home or ours!

Your Home

For expert troubleshooting and home solutions advice:

manage  home

www.managemyhome.com

For repair – **in your home** – of **all** major brand appliances, lawn and garden equipment, or heating and cooling systems, **no matter who made it, no matter who sold it!**

For the replacement parts, accessories and owner's manuals that you need to do-it-yourself.

For Sears professional installation of home appliances and items like garage door openers and water heaters.

1-800-4-MY-HOME[®]

(1-800-469-4663)

www.sears.com

Call anytime, day or night

(U.S.A. and Canada)

www.sears.ca

Our Home

For repair of carry-in items like vacuums, lawn equipment, and electronics, call anytime for the location of the nearest

Sears Parts & Repair Service Center

1-800-488-1222 (U.S.A.)

www.sears.com

1-800-469-4663 (Canada)

www.sears.ca

To purchase a protection agreement on a product serviced by Sears:

1-800-827-6655 (U.S.A.)

1-800-361-6665 (Canada)

Para pedir servicio de reparación a domicilio, y para ordenar piezas:

1-888-SU-HOGAR[®]

(1-888-784-6427)

Au Canada pour service en français:

1-800-LE-FOYER^{MC}

(1-800-533-6937)

www.sears.ca



© Sears Brands, LLC

® Registered Trademark / TM Trademark / SM Service Mark of Sears Brands, LLC

® Marca Registrada / TM Marca de Fábrica / SM Marca de Servicio de Sears Brands, LLC

^{MC} Marque de commerce / ^{MD} Marque déposée de Sears Brands, LLC

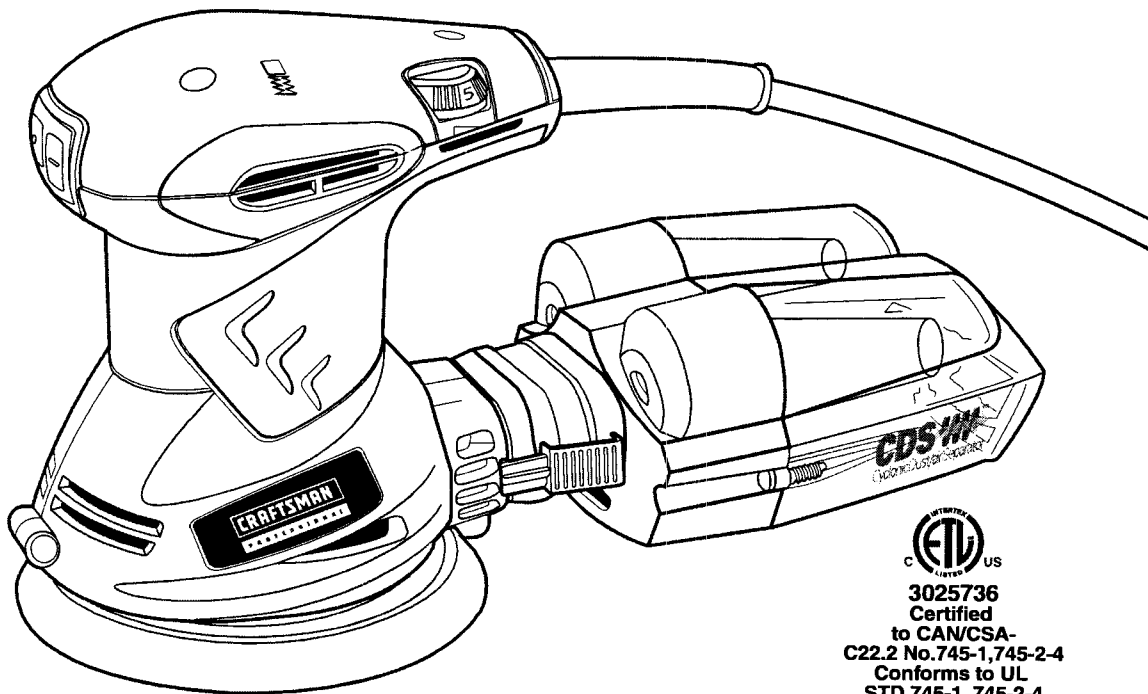
Manual del Operador



**3.0 Amperios / 5-pulg. Diámetro
Separador Cyclónica de Polvo-Aire (CDS)
Sistema de la Colección**

Lijadora Orbital Aleatoria

Modelo No. 172.27673



3025736
Certified
to CAN/CSA-
C22.2 No.745-1,745-2-4
Conforms to UL
STD 745-1, 745-2-4

Doble Aislamiento

- GARANTÍA
- SEGURIDAD
- DESEMPACADO
- DESCRIPCIÓN
- ENSAMBLAJE
- OPERACIÓN
- MANTENIMIENTO

PRECAUCIÓN: Lea, entienda y siga todas las Normas de Seguridad e Instrucciones de Operación en este Manual antes de usar este producto.

Sears, Roebuck and Co., Hoffman Estates, IL 60179 EE.UU.
Visite nuestra página Web Craftsman@: www.sears.com/craftsman

ÍNDICE

Garantía	Página	26
Símbolos de Seguridad.....	Página	27
Instrucciones de Seguridad.....	Páginas	28-34
Desempacado.....	Página	34-35
Descripción.....	Páginas	35-36
Ensamblaje.....	Páginas	37-40
Operación.....	Páginas	40-43
Mantenimiento.....	Página	44-45
Accesorios.....	Página	46
Números de Teléfono de Partes de Repuesto de Sears		

GARANTÍA DE UN AÑO COMPLETO SOBRE PRODUCTOS PROFESIONAL CRAFTSMAN®

Si esta herramienta profesional Craftsman falla debido a defectos en los materiales o mano de obra entre un año desde la fecha de compra, REGRÉSELA A CUALQUIER TIENDA SEARS U OTRA PUNTA DE VENTA CRAFTSMAN EN LOS ESTADOS UNIDOS PARA Reparación Gratis (O REEMPLAZO SI ES IMPOSIBLE REPARARLA).

Esta garantía no incluye partes desechables tales como lámparas, pilas, puntas u hojas y papel.

Esta garantía le otorga derechos legales específicos y es posible que usted tenga otros derechos, los cuales varían de un estado a otro.

Sears, Roebuck and Co., Hoffman Estates, IL 60179

¡GUARDE ESTAS INSTRUCCIONES!
¡LEA TODAS LAS INSTRUCCIONES!

⚠ ADVERTENCIA: Algun polvo generado por el uso de herramientas eléctricas contiene químicos conocidos por el estado de California por causar cancer y defectos de nacimiento u otros defectos para la reproducción.

SÍMBOLOS DE SEGURIDAD

El propósito de los símbolos de seguridad es llamar su atención con respecto a los posibles peligros. Los símbolos de seguridad y la explicación de ellos merecen **cuidadosa atención y comprensión**. La advertencia de los símbolos **NO** elimina ningún peligro en sí. Las instrucciones y advertencias que brindan no son sustitutas de las medidas correctas de prevención de accidentes.

⚠ ADVERTENCIA: ASEGÚRESE de leer y comprender todas las instrucciones de seguridad de este manual, incluyendo todos los símbolos de alerta de seguridad como "PELIGRO", "ADVERTENCIA" y "PRECAUCIÓN" ANTES de utilizar esta herramienta. El incumplimiento de las instrucciones enumeradas a continuación puede producir descargas eléctricas, incendio y/o lesiones personales graves.

SIGNIFICADO DE LOS SÍMBOLOS



SÍMBOLO DE ALERTA DE SEGURIDAD: Indica PELIGRO, ADVERTENCIA O PRECAUCIÓN. Pueden usarse en conjunción con otros símbolos o pictogramas.



PELIGRO El incumplimiento de esta advertencia de seguridad RESULTARÁ en la muerte o lesiones graves para usted u otros. Siempre siga las precauciones de seguridad para reducir el riesgo de incendio, descarga eléctrica y lesiones personales.



ADVERTENCIA El incumplimiento de esta advertencia de seguridad PUEDE resultar en la muerte o lesiones graves para usted u otros. Siempre siga las precauciones de seguridad para reducir el riesgo de incendio, descarga eléctrica y lesiones personales.



PRECAUCIÓN El incumplimiento de esta advertencia de seguridad PUEDE resultar en lesiones personales para usted u otros o daños a la propiedad. Siempre siga las precauciones de seguridad para reducir el riesgo de incendio, descarga eléctrica y lesiones personales.

MENSAJES DE INFORMACIÓN Y PREVENCIÓN DE PELIGRO

Estos mensajes brindan al usuario información y/o instrucciones importantes que podrían conducir al daño de los equipos u otros daños materiales si no se cumplieren. Cada mensaje es precedido por la palabra "NOTA:" como en el siguiente ejemplo:

NOTA: Se pueden producir daños a los equipos u otros daños materiales si no se siguen estas instrucciones.



⚠ ADVERTENCIA: El funcionamiento de cualquier herramienta eléctrica puede causar la proyección de objetos extraños hacia los ojos lo cual puede ocasionar daños graves en los ojos. Antes de poner en funcionamiento una herramienta eléctrica, SIEMPRE use gafas de seguridad o anteojos de seguridad con protector lateral y protector facial completo cuando sea necesario. Recomendamos el uso de una máscara de seguridad de visión amplia para usar sobre los anteojos o anteojos de seguridad estándar con protector lateral, disponibles en las tiendas Sears u otros puntos de venta Craftsman.

INSTRUCCIONES DE SEGURIDAD

⚠ ADVERTENCIA: Asegúrese de leer y entender todas las instrucciones en este manual antes de usar esta herramienta. No seguir todas las instrucciones podría resultar en descargas eléctricas, incendio y/o lesiones personales graves.

SEGURIDAD DEL AREA DE TRABAJO

1. **Mantenga su área de trabajo limpia y bien iluminada.** Los bancos de trabajo desorganizados y las áreas oscuras invitan a los accidentes.
2. **NO opere herramientas eléctricas en atmósferas explosivas, como por ejemplo en presencia de líquidos, gases o polvos inflamables.** Las herramientas eléctricas crean chispas que podrían encender el polvo o los gases.
3. **SIEMPRE mantenga a los observadores, niños y visitantes alejados al utilizar una herramienta eléctrica.** Las distracciones podrían ocasionar que usted pierda el control.
4. **Haga su taller a prueba de niños** con candados e interruptores maestros. Guarde las herramientas bajo llave cuando no las utiliza.
5. **ASEGÚRESE de que el área de trabajo cuenta con amplia iluminación** para que pueda ver el trabajo y que no haya obstrucciones que interferirán con una operación segura **ANTES** de usar su herramienta.

SEGURIDAD PERSONAL

1. **CONOZCA su herramienta eléctrica.** Lea el manual del operador cuidadosamente. Aprenda las aplicaciones y limitaciones de la herramienta, así como peligros potenciales específicos relacionados con esta herramienta.
2. **MANTÉNGASE ALERTA,** mire lo que hace y utilice sentido común al operar una herramienta eléctrica.
3. **NO** use la herramienta cuando esté cansado o bajo la influencia de drogas, alcohol o medicación. Un momento de distracción mientras hace funcionar las herramientas eléctricas podría resultar en lesiones personales graves.
4. **VISTA apropiadamente. NO** use ropa suelta o joyas. Recoja el cabello largo. Mantenga su cabello, ropa y guantes lejos de las piezas móviles. La ropa suelta o cabello largo podrían quedar atrapados en las piezas móviles. Las aperturas de ventilación a menudo cubre piezas móviles y también deben evitarse.
5. **EVITE** encender accidentalmente la herramienta. Asegúrese de que el interruptor se encuentre en posición de **APAGADO**. Transportar las herramientas con un dedo en el interruptor o enchufar la herramienta mientras el interruptor se encuentre en la posición **ENCENDIDO** invita a accidentes.
6. **RETIRE** las llaves de ajuste de las hojas o llaves de tuercas antes de encender la herramienta. Una llave de ajuste que queda conectada a una pieza rotativa de la herramienta podría resultar en lesiones personales.
7. **No se extienda para alcanzar sobre la herramienta. Mantenga el pie firme así como el balance en todos momentos.** Pie y equilibrio apropiados permiten un mejor control de la herramienta en posiciones inesperadas.
8. **ASEGURE SIEMPRE SU TRABAJO.** Use abrazaderas o un tornillo para sostener el trabajo cuando sea práctico. Es más seguro que usar sus manos y libera ambas manos para operar la herramienta.
9. **USE EQUIPO DE SEGURIDAD.** Use **SIEMPRE** protección para los ojos. Máscaras anti-polvo, zapatos de seguridad antideslizantes casco o protección para los oídos deben usarse en condiciones que lo requieran.

INSTRUCCIONES DE SEGURIDAD cont.

SEGURIDAD EN EL USO Y CUIDADO DE LA HERRAMIENTA

⚠ ADVERTENCIA: ASEGÚRASE de leer y entender todas las instrucciones en este manual antes de usar esta herramienta. No seguir todas las instrucciones podría resultar en descargas eléctricas, incendio y/o lesiones personales graves.

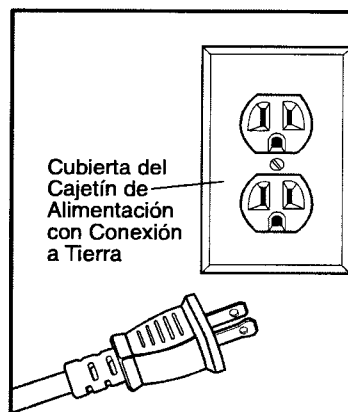
1. **SIEMPRE** use abrazaderas u otra manera práctica de asegurar y apoyar la pieza de trabajo sobre una plataforma estable. Sostener el trabajo con las manos o contra el cuerpo es instable y podría resultar en pérdida de control.
2. **NO fuerce la herramienta. Use la herramienta correcta para su aplicación.** La herramienta correcta hará el trabajo de manera mejor y más segura para lo cual fue diseñada.
3. **NO use la herramienta si el interruptor no la Encienda o Apaga.** Toda herramienta que no puede ser controlada por el interruptor es peligrosa y debe ser reparada.
4. **DESCONECTE el enchufe de la fuente de alimentación antes de hacer cualquier ajuste, cambiar los accesorios o guardar la herramienta.** Tales medidas prevenidas reducen el riesgo de encender la herramienta accidentalmente.
5. **GUARDE las herramientas sin usar fuera del alcance de los niños y otras personas no capacitadas.** Las herramientas son peligrosas en las manos de usuarios no capacitados.
6. **DELE a las herramientas un mantenimiento cuidadoso. SIEMPRE** mantenga las herramientas limpiadas y en buen orden de trabajar.
7. **Mantenga la hoja de papel de lijar limpiada,** y saca acumulación excesivo de polvo y aserrín. Reemplaza hijo de papel de lijar cuando gastado. Este provea resultados mejores de lijar.
8. **VERIFIQUE si las piezas móviles están desalineadas o se atascan,** se rompen o si existe alguna otra condición que podría afectar la operación de la herramienta. Si está dañada, la herramienta debe recibir mantenimiento antes del uso. Muchos accidentes ocurren debido a herramientas con un mantenimiento pobre.
9. **USE sólo los accesorios recomendados para esta herramienta.** Los accesorios aptos para una herramienta podrían ser dañinos si se utilizan con otra herramienta.

⚠ ADVERTENCIA: Vacía la caja guardapolvo antes de almacenamiento, ayudar prevenir el fuego posible, particularmente cuando capa de resina o aceite de linaza han sido lijados.

SEGURIDAD ELÉCTRICA

⚠ ADVERTENCIA: No permita que los dedos hagan contacto con las terminales del enchufe mientras instala o quita el enchufe del tomacorriente.

1. Las herramientas con aislamiento doble están equipadas con un enchufe polarizado (una hoja es más amplia que la otra). Este enchufe encajará en un tomacorriente polarizado de un solo modo. Si el enchufe no entra por completo en el tomacorriente, déle la vuelta. Si sigue sin entrar, póngase en contacto con un electricista competente para instalar un tomacorriente polarizado. No haga ningún tipo de cambio en el enchufe.



INSTRUCCIONES DE SEGURIDAD

SEGURIDAD ELÉCTRICA

2. Doble Aislamiento elimina la necesidad de un cordón de alimentación con conexión a tierra de tres alambres y un sistema de suministro de energía con conexión a tierra. Aplica sólo para herramientas Clase II (con doble aislamiento). Esta herramienta tiene doble aislamiento.

⚠ ADVERTENCIA: El aislamiento doble **NO** reemplaza las precauciones de seguridad normales al operar esta herramienta.

3. **ANTES** de enchufar la herramienta, **ASEGÚRASE** de que el voltaje de al toma provisto se encuentre en el rango de voltaje marcado en la placa de identificación de la herramienta. **NO** use herramientas con clasificación CA solamente en una fuente de alimentación CC.
4. **EVITE** el contacto del cuerpo con superficies conectadas a tierra, tales como tuberías, radiadores, estufas de cocina y refrigeradores. Hay mayor riesgo de que se produzcan descargas eléctricas si su cuerpo está conectado a tierra.
5. **NO exponga** las herramientas eléctricas a la lluvia ni a condiciones húmedas ni use las herramientas eléctricas en ubicaciones húmedas o mojadas. El agua que ingresa a la herramienta eléctrica incrementará el riesgo de descargas eléctricas.
6. **INSPECCIONE** el cordón de la herramienta para verificar la presencia de daños. Solicite al Centro de Servicio Sears que repare todo cordón dañado. **ASEGÚRASE** de estar constantemente atento a la ubicación del cordón y manténgalo lejos de partes en movimiento.
7. **NO abuse** del cordón. **NUNCA** use el cordón para trasladar la herramienta ni lo hale para sacar la toma del enchufe. **Reemplace todo cordón dañado de inmediato.** Los cordones dañados incrementan el riesgo de descargas eléctricas.

CABLES DE EXTENSIÓN

Utilice un cordón de extensión adecuado. Utilice **SOLAMENTE** los cordones autorizados por Underwriters Laboratories (UL). Cualquier otro cable de extensión puede ocasionar una caída en la tensión de línea resultando en pérdida de potencia y recalentamiento de la herramienta.

Para esta herramienta, la escala de calibres norteamericanos para alambres y cables o AWG (por sus siglas en inglés) recomienda un tamaño mínimo de calibre 14 para un cordón de extensión de 25 pies o de una longitud menor. Utilice calibre 12 para los cordones de extensión de 50 pies. **No se recomiendan los cordones de extensión de 100 pies o de larga.**

Recuerde que un tamaño de calibre de alambres más pequeño tiene una capacidad más grande que un número mayor (el alambre de calibre 12 tiene una capacidad más grande que el de calibre 14). Si tiene alguna duda, utilice el calibre de un diámetro menor. Al utilizar una herramienta eléctrica a la intemperie, utilice un cordón de extensión para intemperie marcado "W-A" o "W". Estos cordones tienen capacidad nominal para uso a la intemperie y reducen el riesgo de que se produzcan descargas eléctricas.

⚠ PRECAUCIÓN: Mantenga el cable de extensión libre del área de trabajo. Posicione el cordón de manera tal que no quede atrapado en la madera, herramienta, ni ninguna otra obstrucción mientras usted trabaja con la herramienta eléctrica.

⚠ ADVERTENCIA: Revise todo cable de extensión antes de cada uso. Si existen daños, reemplace el cable de inmediato. Nunca use la herramienta con un cordón dañado, ya que tocar el área dañada podría ocasionar descargas eléctricas, resultado en lesiones graves.

INSTRUCCIONES DE SEGURIDAD cont.

SÍMBOLOS DE SEGURIDAD PARA SU HERRAMIENTA

La etiqueta en su herramienta pueda incluir los símbolos siguientes.

V	Voltios
A	Amperios
Hz	Hercios
W	Vatios
min	Minutos
~	Corriente alterna
—	Corriente continua
n _o	Velocidad libre de carga
□	Construcción Clase II, Doble aislamiento
RPM	Revoluciones por minuto
SPM	Carreras (Strokes) por minuto
OPM	Órbitas por minuto
⚠	Indica peligro, advertencia o precaución. Significa: ¡¡¡Atención!!! Su seguridad se encuentra comprometida.

SEGURIDAD EN EL SERVICIO TÉCNICO

1. **Si cualquier parte se pierde, se rompe, se dobla o falla de cualquier forma; o si cualquier componente eléctrico no funciona adecuadamente: APAGUE** el interruptor de potencia, desenchufe la lijadora de la fuente de energía y haga reemplazar la parte perdida, dañada o que no funciona **ANTES** de utilizar nuevamente.
2. **El servicio técnico de la herramienta se debe realizar solamente en un Centro de servicio técnico de Sears.** El servicio técnico o mantenimiento que se realice por personal no calificado podría producir riesgo de lesiones.
3. **Cuando realice el servicio técnico de una herramienta, utilice solamente las piezas de repuesto idénticas. Respete las instrucciones de la sección de mantenimiento** de este manual. Si se utilizan partes no autorizadas o no se respetan las instrucciones de mantenimiento, se puede crear un riesgo de descarga eléctrica o lesión.

REGLAS DE SEGURIDAD PARA LAS LIJADORAS DE PODER

1. **Sujeta la herramienta por las agarres con superficies insuladas** cuando lijas en donde la herramienta contactará cableado escondido, come paredes, suelos, o su cordón. Contacto con un alambre "vivo" hará todos partes metales expuestas de la herramienta "viva" y da descarga eléctrica al operador.
2. **Inspeccione y quita** todos los clavos, tornillos, grapas o cualesquier pedazos de metal enterrados del superficie ser lijado. Estas prominencias podian dañar al papel de lijar, el almohadilla del lijador, y causa pérdida de control.
3. **NUNCA** use esta o cualquier otra lijadora eléctrica para lijar superficies mojados o para pulir con líquido. El incumplimiento de esta regla puede aumentar la posibilidad de un choque eléctrico.
4. **SIEMPRE prensas bien** la pieza de trabajo así que no mueva bajo la lijadora. Trabajo no asegurado puede ser lanzado hacia el operador, causando lesiones.
5. **NO fuerce la lijadora.** El peso de la unidad proporciona una presión suficiente. Deje el trabajo a la lijadora y al disco de lija.
6. **NO lije demasiado tiempo en un lugar.** La rápida acción de la lijadore puede desprender demasiado material, dejando desigual la superficie.

INSTRUCCIONES DE SEGURIDAD cont.

⚠ ADVERTENCIA: Algun polvo generado por el uso de herramientas eléctricas contiene químicos conocido por el estado de California por causar cancer y defectos de nacimiento u otros defectos para la reproducción. Algunos ejemplos de estos químicos son:

- El plomo de las pinturas a base de plomo.
- La sílice cristalina de los ladrillos, el cemento y otros productos de albañilería.
- El arsénico y el cromo, de la madera tratada químicamente.

El riesgo de estas exposiciones varía, dependiendo de la frecuencia con que realiza este tipo de trabajo. Para reducir su exposición a estos químicos:

- Trabaje en áreas bien ventiladas.
- Trabaje con los equipos de seguridad aprobados, tales como máscaras contra el polvo que están especialmente diseñadas para filtrar partículas microscópicas.

Evite el contacto prolongado con el polvo de lijadoras, sierras, pulidoras, perforadoras eléctricas y otras actividades de la construcción. Utilice ropa de protección y lave las áreas expuestas con agua y jabón. Si permite que el polvo ingrese a su boca, ojos o permanezca en la piel, se puede fomentar la absorción de químicos nocivos.

⚠ ADVERTENCIA: La utilización de esta herramienta puede generar y/o esparcir polvo, que puede causar lesiones respiratorias graves y permanentes o de otro tipo. Siempre utilice la protección respiratoria aprobada por el Instituto Nacional para la Seguridad y Salud en el Trabajo/Departamento gubernamental de los EE.UU. para la administración de la Seguridad y Salud en el Trabajo (NIOSH/OSHA, por sus siglas en inglés) apropiada para la exposición al polvo. Dirija las partículas fuera del alcance de la cara y el cuerpo.

⚠ ADVERTENCIA: El polvo recolectado durante el lijado de capas de acabado como poliuretano, aceite de linaza, etc., puede inflamarse por sí solo en el saco captapolvo o en otra parte, y puede causar un incendio. Para reducir el riesgo de incendio siempre vacíe con frecuencia y siga terminantemente la recomendaciones de los fabricantes de acabados.

⚠ PRECAUCIÓN: Cuando trabaje en superficie de metal, NO use la caja del polvo o una aspiradora ya que se generan chispas. Use protección ocular y una máscara contra el polvo. Debido al peligro de incendio, no use la lijadora para lijar superficies de magnesio. No la use para lijado húmedo.

LIJANDO LAS PINTURAS

Lijando las pinturas con base de plomo **NO SE RECOMIENDA** debido a la dificultad de controlar el polvo contaminado. El peligro más grande de el envenenamiento de plomo está para niños y mujeres embarazadas.

Puesto que es tan difícil identificar si una pintura contiene plomo sin un análisis químico, recomendamos las precauciones siguientes cuando lijando cualquier pintura.

- Ningún niño o mujer embarazada debe entrar al área de trabajo donde se esté lijando pintura hasta después de haber terminado con su limpieza.
- Todas las personas que entren en el área de trabajo deberán usar una máscara contra el polvo o un respirador. El filtro debe reemplazarse todos los días, o ni bien el usuario tenga dificultades para respirar.

INSTRUCCIONES DE SEGURIDAD cont.

NOTA: Deben usarse únicamente máscaras contra el polvo aptas para trabajar con polvo o vapores de pintura de plomo. Las máscaras comunes para pintar no ofrecen esta protección. Consulte con su distribuidor local acerca de la máscara adecuada (aprobada por NIOSH).

- **NO SE DEBE COMER, BEBER O FUMAR** en el área de trabajo para evitar la ingestión de partículas de pintura contaminadas. Los trabajadores deben lavarse y limpiarse **ANTES** de comer, beber o fumar. Los artículos de comida, bebida o fumar **NO** deben dejarse en el área de trabajo donde serían alcanzadas por el polvo contaminado.
- La pintura debe removerse de tal forma que minimice la cantidad de polvo generado.
- El área en la cual se remueve la pintura debe centrarse con paneles de plástico de 4 milésimas de pulgada de espesor.
- Se debe lijar de tal forma que reduzca el transporte del polvo de la pintura fuera del área de trabajo.
- Todas las superficies del área de trabajo deben aspirarse y limpiarse bien todos los días durante todo el transcurso del proyecto de lijado. Las bolsas y filtros de la aspiradora deben reemplazarse frecuentemente.
- Las telas protectoras de plástico deben recolectarse y desecharse junto con todos los demás residuos. Deben colocarse en recipientes sellados y desecharse a través de los procedimientos normales de recolección de residuos. Durante la limpieza, los niños y las mujeres embarazadas deben **MANTENERSE FUERA** del área de trabajo.
- Todos los juguetes, muebles lavables y utensilios utilizados por niños deben lavarse bien antes de volver a usarlos.

REGLAS ADICIONALES PARA UN FUNCIONAMIENTO SEGURO

⚠ ADVERTENCIA: ASEGÚRASE de leer y entender todas las instrucciones en este manual antes de usar esta herramienta. No seguir todas las instrucciones podría resultar en descargas eléctricas, incendio y/o lesiones personales graves.

1. **Conozca su herramienta eléctrica. Lea cuidadosamente el manual de operaciones.** Aprenda las aplicaciones y limitaciones así como los peligros potenciales específicos relacionados con esta herramienta. El seguimiento de esta norma reducirá el riesgo de que se produzca alguna descarga eléctrica, incendio o lesión grave.
2. **USE gafas de seguridad o viseras oculares mientras usa esta herramienta.** Los anteojos de todos los días tienen solamente lentes resistentes al impacto y **NO SON** anteojos de seguridad.
3. **PROTEJA sus pulmones.** Utilice una máscara para la cara o mascarilla antipolvo si la operación es polvorienta.
4. **PROTEJA sus oídos.** Use protección auditiva personal adecuada. Bajo algunas condiciones, el ruido de este producto puede contribuir a la pérdida auditiva.
5. **TODOS LOS VISITANTES Y PERSONAS PRESENTES DEBEN** utilizar el mismo equipo de seguridad que el usuario de la herramienta.
6. **INSPECCIONE los cables de la herramienta periódicamente y, si están dañados, repárelos en su Centro de Servicio Sears más cercano. TENGA PRESENTE SIEMPRE la ubicación del cable.**

INSTRUCCIONES DE SEGURIDAD cont.

REGLAS ADICIONALES PARA UN FUNCIONAMIENTO SEGURO cont.

- 7. SIEMPRE verifique las herramientas para determinar si existen partes dañadas.**
Antes de usar más la herramienta, asegúrese de que no haya ninguna pieza dañada o otra condición que afecta la operación. Una pieza dañada debe ser reparada o repuesta en un Centro de Servicio Sears.
- 8. CONSERVE ESTAS INSTRUCCIONES.** Remítase a ellas frecuentemente y utilícelas para capacitar a otras personas que puedan utilizar esta herramienta. Si alguien le pide esta herramienta prestada, asegúrese de que se lleve también estas instrucciones.

DESEMPACADO

⚠ ADVERTENCIA: NUNCA debería conectar la herramienta a la fuente de energía cuando arme las partes, haga ajustes, instale o quite las hojas, limpie o cuando la herramienta no esté en uso. Al desconectar la herramienta, evita que ésta se encienda accidentalmente, lo cual podría causar lesiones personales graves.

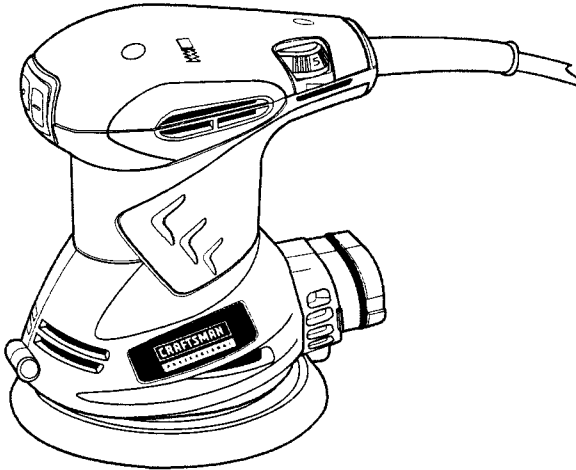
1. Saque la **lijadora** del **cartón** y inspecciónela con cuidado para asegurarse de que no hayan ocurrido roturas o daños durante el envío.
2. No deseche ningún material de embalaje hasta que se cuente con todos los contenidos.
3. Su lijadora viene con un **módulo ciclónico recolector de polvo**.
4. Incluye **dos discos de papel de lija “gancho y vuelta”**; uno de grano fino y otro mediano.
5. Incluye un **conector doble adaptador para aspiradora**.
6. Si algunas de las partes está dañada o no se encuentra (remítase a la Lista De Repuestos de abajo), regrese la lijadora al comercio Sears o al punto de venta de Craftsman más cercano para que se la cambien.

⚠ ADVERTENCIA: Si falta alguna parte, NO utilice esta lijadora hasta que se reemplace la parte que falta. Si no se hace esto podrían producirse posibles lesiones personales graves.

DESEMPACADO cont.

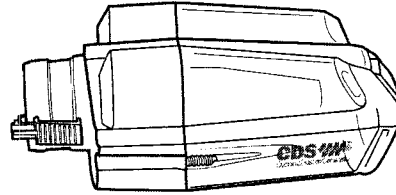
PARTS LIST (Fig. 1)

1. Lijadora

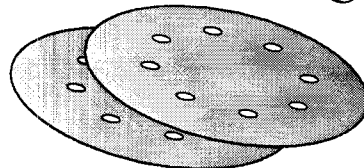
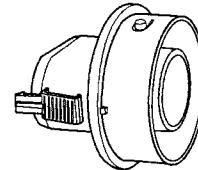


DESCRIPCIÓN

2. Caja ciclónica recolector de polvo



3. Adaptador con puertos dobles para aspiradora



4. Dos discos de papel de lija "gancho y vuelta" de 5 pulgadas con agujeros preperforados

5. Manual del Usuario

CONOZCA SU LIJADORA ORBITAL ALEATORIA (Fig. 2)

NOTA: Antes de intentar utilizar la lijadora, familiarícese con todas las características de funcionamiento y requisitos de seguridad.

Su Lijadora Orbital Aleatoria Profesional de 5" tiene un motor electrónico de precisión y debe conectarse **ÚNICAMENTE** a un tomacorriente de 120 voltios, 60 Hz CA (suministro doméstico normal). **NO** la conecte a corriente continua (CC). La gran caída de voltaje causaría pérdidas de potencia y el motor se recalentaría. Si la lijadora no funciona al enchufarla a un tomacorriente de 120 voltios, 60 Hz, CA **SOLAMENTE** revise la alimentación. Esta lijadora tiene un cable de alimentación de 10 pies, 2 conductores (no necesitan adaptador).

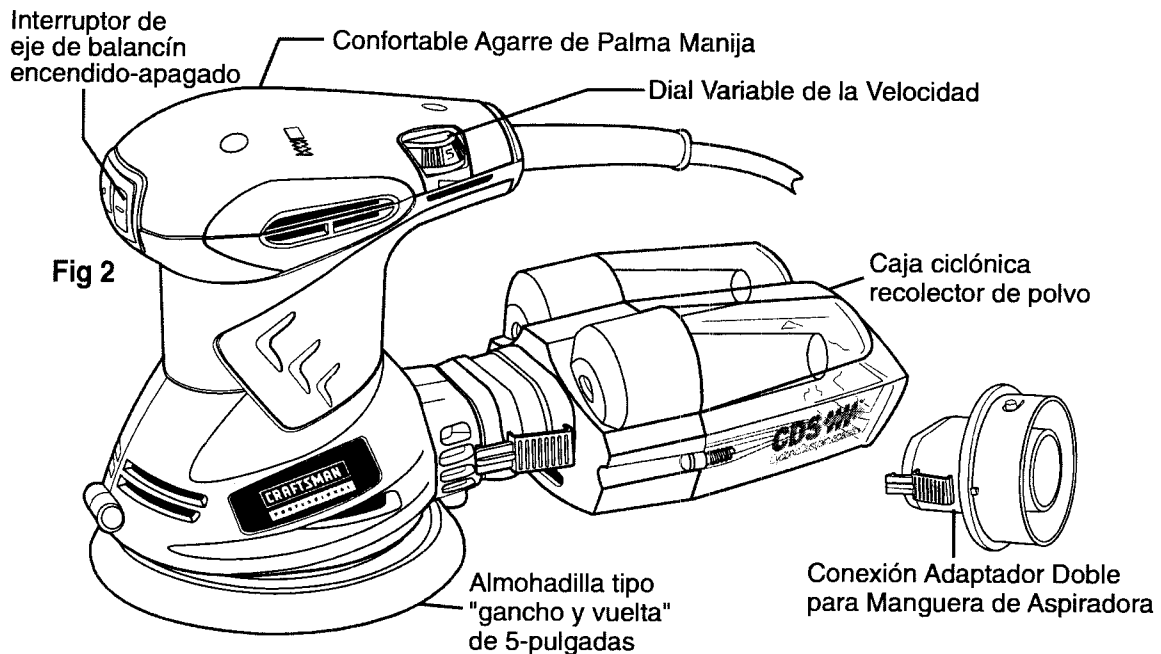
Esta Lijadora Orbital Aleatoria tiene las siguientes características:

1. **Potente motor de 3.0 amperios** proporciona el torque, potencia y durabilidad para una variedad de aplicaciones de lijado continuas.
2. **5000 a 12000 órbita por minuto (velocidad sin carga)** controlada por una dial variable de velocidad. Ajuste la velocidad correcta y el grano del papel de lija de acuerdo a la superficie a lijar para remover material rápidamente o lograr un acabado fino y suave.
3. **Movimiento orbital aleatorio** con un diámetro de 1/16" ayuda a obtener un acabado sin marcas.
4. **Soporte diseñado económicamente con moldura confortable** para un máximo balance, control, confort de sujeción y reducción de fatiga para el operador.
5. **Sistema de compensación con ajuste de precisión** reduce la vibración para un funcionamiento suave y menor fatiga del operador.

DESCRIPCIÓN cont.

Esta Lijadora Orbital Aleatoria tiene las siguientes características cont.:

6. **Interruptor de eje de balancín encendido-apagado** ubicado convenientemente para facilitar el control. **Sellado contra el polvo para prolongar su vida útil.**
7. **Almohadilla con ganchos** para facilitar el acoplamiento de discos de lija tipo "gancho y vuelta" con agujeros preperforados .
8. **Cubierta de alta resistencia a impactos** ayuda a proteger la herramienta y reduce su peso.
9. **Separador Cyclónica de Polvo/Aire (CDS) Sistema de la Colección** Caja de Polvo ofrece diseño avanzado de flujo de aire con extracción de polvo por fuerza centrífuga que separa la partículas de polvo del flujo de aire cuando ingresa en la caja. El aire limpio sale de la caja mientras que la partículas de polvo quedan atrapadas en ella. Este sistema provee una recolección de polvo más eficiente que los sistemas comunes con bolsa.
10. **Conexión Adaptadora Doble para Manguera de Aspiradora** permite conectar mangueras de 1 ¼" o 2 ½" y aspiradoras para materiales secos o húmedos (vendido separado).
11. **Rodamientos esféricos permanentemente lubricados al 100%** para un funcionamiento ininterrumpido y de larga duración.



ESPECIFICACIONES DEL PRODUCTO

Velocidad sin carga	5000-12000 OPM orbita por minuto velocidad variable
Potencia Nominal	120 Voltios, 60 Hz CA
Alimentación	3.0 Amperios
Diámetro de la Orbita	1/16 pulgada
Tamaño del Papel de Lijar	5-pulgada diámetro
Tipo de papel	Lija "gancho y vuelta" con orificios preperforadas

ENSAMBLAJE

⚠ ADVERTENCIA: Su lijadora **NO** debe estar enchufada en la fuente de alimentación cuando esté instalando repuestos, haciendo ajustes, instalando o reemplazando el papel de lijar, limpiándola o cuando no está en uso. Al desenchufar su lijadora evitará la puesta en marcha accidental que podría provocar una lesión personal grave.

INSTALACIÓN DEL PAPEL DE LIJAR (Ver Fig. 3)

ALWAYS inspect the sandpaper before installing. **DO NOT** use if broken or defective.

1. Unplug the sander.

⚠ ADVERTENCIA: Si no desenchufa su lijadora, se puede producir a puesta en marcha accidental causando una lesión grave.

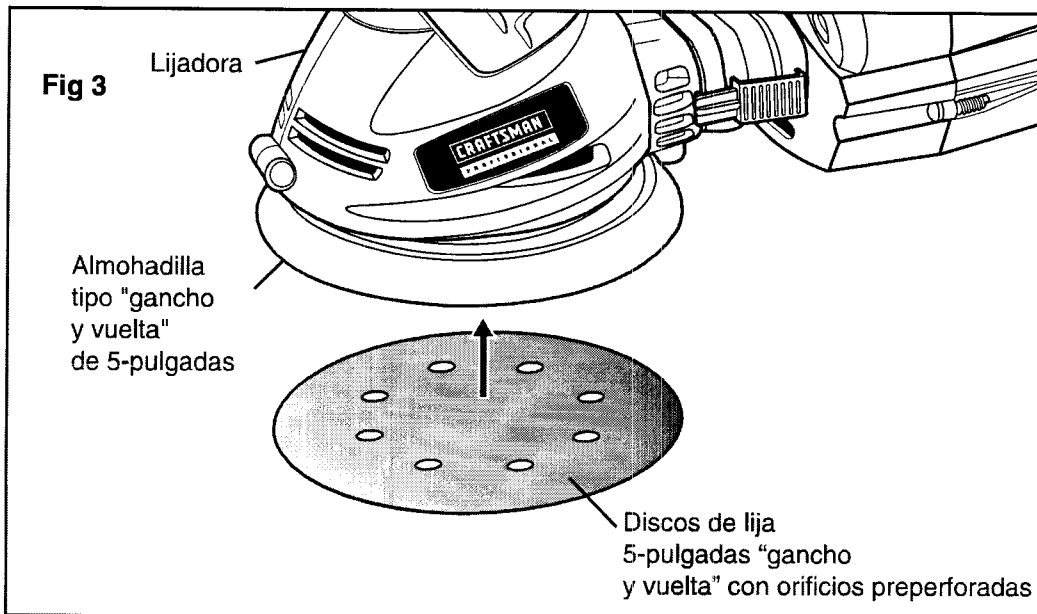
NOTA: Quite la caja ciclónica recolector el polvo cuando instale el papel de lija. **SIEMPRE** recuerde volver a colocar la caja ciclónica del polvo antes de comenzar a lijar (ver página 38, Fig. 4).

2. Alinee los orificios del disco de lija con los orificios de la almohadilla de enganche.

NOTA: Los orificios del disco de lija deben quedar alineados con los de la almohadilla para que el sistema de recolección de polvo de la lijadora funcione correctamente.

3. Presione el disco de lija contra la almohadilla todo lo que pueda.

NOTA: Para una mejor adherencia, le recomendamos limpiar la almohadilla y el disco de lija ocasionalmente cepillándolos suavemente con un cepillo pequeño.



ENSAMBLAJE cont.

CAJA DEL POLVO / RECOLECCIÓN DE POLVO

⚠ ADVERTENCIA: El polvo recolectado durante el lijado de capas de acabado como poliuretano, aceite de linaza, etc., puede inflamarse por sí solo en el saco captapolvo o en otra parte, y puede causar un incendio. Para reducir el riesgo de incendio siempre vacíe con frecuencia y siga terminantemente la recomendaciones de los fabricantes de acabados.

⚠ ADVERTENCIA: Cuando trabaje en superficie de metal, NO use la caja del polvo o una aspiradora ya que se generan chispas. Use protección ocular y una máscara contra el polvo. Debido al peligro de incendio, no use la lijadora para lijar superficies de magnesio. No la use para lijado húmedo.

SEPARADOR CICLÓNICO DE POLVO/AIRE (CDS) SISTEMA DE RECOGIDA

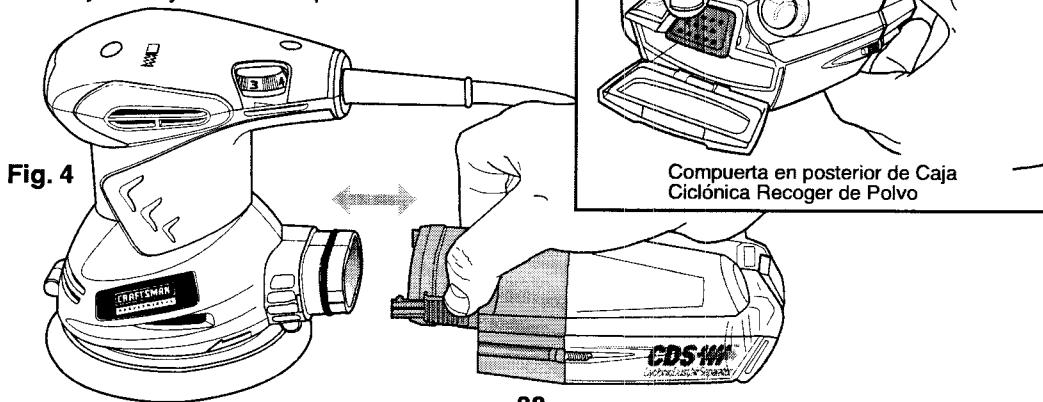
La Caja Ciclónica del Polvo ofrece diseño avanzado de flujo de aire con extracción de polvo por fuerza centrífuga que separa las partículas de polvo del flujo de aire cuando ingresa en la caja. El aire limpio sale de la caja mientras que las partículas de polvo quedan atrapadas en ella. Este sistema provee una recogida de polvo más eficiente que los sistemas comunes con bolsa.

PARA QUITAR Y VACIAR LA CAJA DEL POLVO (Ver Fig. 4 y 4a)

1. Desenchufe su lijadora.

⚠ ADVERTENCIA: Si no desenchufa su lijadora, se puede producir una puesta en marcha accidental causando una lesión grave.

2. Ubique las dos trabas a ambos lados de la caja ciclónica del polvo y presiónelas entre sí. Esto desconecta la caja del polvo de la lijadora.
3. Deslice la caja del polvo hacia afuera de la lijadora.
4. La Caja Ciclónica del Polvo tiene un botón negro en la parte de atrás que al presionarlo abre una pequeña compuerta en la parte posterior de la caja (ver Fig. 4a). Se puede vaciar el polvo a través de esta compuerta. Sacúdala bien para vaciarla completamente. Para cerrar la compuerta, simplemente presiónela hasta que se vuelva a cerrar.
5. Para volver a colocar la caja del polvo, presiónela hasta que quede sujeta por las dos trabas en los costados. Escuchará cuando hagan clic.
6. La lijadora ya está lista para usar.



ENSAMBLAJE cont.

PARA QUITAR Y VACIAR LA CAJA DEL POLVO cont.

NOTA: Vacíe frecuentemente el sistema recolector de polvo para que funcione correctamente. Para un funcionamiento más eficiente, vacíe la caja del polvo antes de que se llene más de la mitad. Esto permitirá una mejor circulación de aire a través de la caja.

⚠ ADVERTENCIA: Vacía la caja guardapolvo antes de almacenamiento prevenir posibilidad de fuego, particularmente cuando has lijado capa de resina o acabado de aceite de linaza.

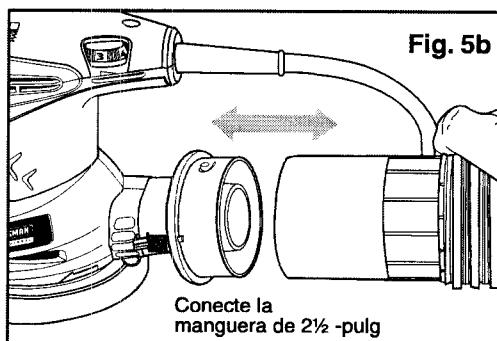
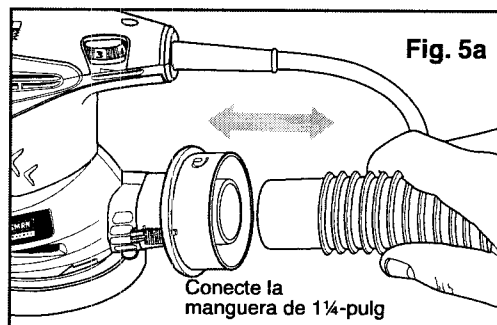
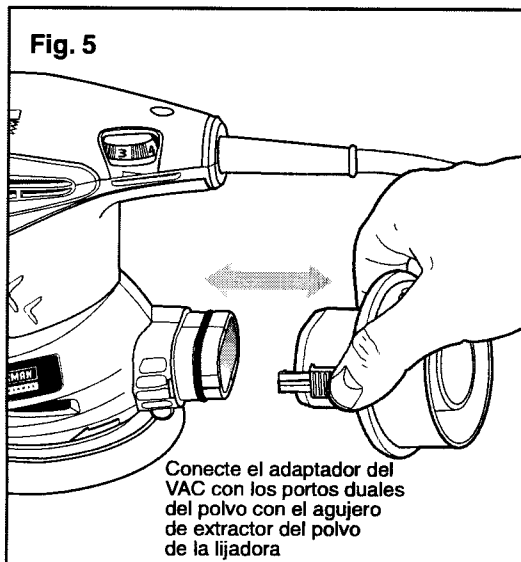
COLOCACIÓN DE LA MANGUERA DE ASPIRADORA AL ADAPTADOR (Ver Fig. 5, 5a y 5b)

Cuando lijas para periodos de tiempo extendidos, puedes colocar su lijadora a una manguera de aspiradora para materiales secos o húmedos (vendido separado).

1. Desenchufe su lijadora.

⚠ ADVERTENCIA: Si no desenchufa su lijadora, se puede producir a puesta en marcha accidental causando una lesión grave.

2. Ubique las dos trabas a ambos lados de la caja ciclónica del polvo y presiónelas entre sí. Esto desconecta la caja del polvo de la lijadora.
3. Deslice la caja del polvo hacia afuera del orificio de escape de la lijadora.
4. Colóquele el Adaptador de Portos Dobles de salida de la lijadora.
5. Coloque la manguera de su aspiradora, ya sea de 1 ¼" o 2 ½", al adaptador de portos dobles (ver Fig. 5a y 5b).
6. Conecte la manguera de su aspiradora, ya sea de 1 ¼" o 2 ½", a la aspiradora mojado/seco. Enciende la aspiradora durante operar la lijadora.



ENSAMBLAJE cont.

COLOCACIÓN DE LA MANGUERA DE ASPIRADORA AL ADAPTADOR cont.

NOTA: Una manguera estándar de 1¼ pulgada se acopla dentro del orificio más pequeño del adaptador doble, mientras que una manguera estándar de 2½ pulgada se acopla dentro del orificio más grande del adaptador doble.

⚠ ADVERTENCIA: Cuando la lijadora no esté conectada a una aspiradora, siempre vuelva a instalar la caja ciclónica del polvo. De no hacerlo, polvo u objetos extraños podrían ser arrojados hacia la cara o los ojos, lo que podría causar heridas graves.

⚠ ADVERTENCIA: El polvo acumulado al lijar recubrimientos de superficies (poliuretano, aceite de lino, etc.) puede auto-inflamarse en la caja del polvo de la lijadora o en algún otro lugar causando un incendio. Para reducir el riesgo, vacíe frecuentemente la caja del polvo y siga estrictamente el manual de la lijadora y las instrucciones del fabricante del recubrimiento.

⚠ PRECAUCIÓN: Cuando trabaje en superficie de metal, NO use la caja del polvo o una aspiradora ya que se generan chispas. Use protección ocular y una máscara contra el polvo. Debido al peligro de incendio, no use la lijadora para lijar superficies de magnesio. No la use para lijado húmedo.

OPERACIÓN



Antes de intentar usar cualquier herramienta, asegúrese de, familiarizarse con todas las características de funcionamiento y con los requerimientos de seguridad.

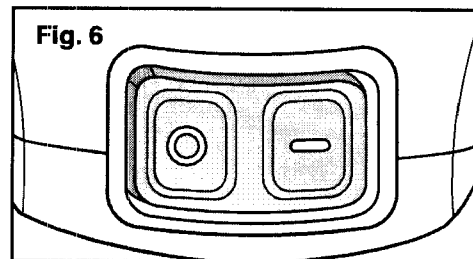
⚠ ADVERTENCIA: SI FALTA CUALQUIERA DE LOS REPUESTOS, NO HAGA FUNCIONAR SU LIJADORA HASTA QUE REEMPLACE LOS REPUESTOS. EL NO SEGUIR ESTA REGLA PUEDE RESULTAR EN UNA LESIÓN PERSONAL GRAVE.

⚠ ADVERTENCIA: NO permita que su familiaridad con la lijadora interfiera con su atención y prudencia. Recuerde que un descuido de una fracción de segundo puede causar una lesión grave.

INTERRUPTOR DE EJE DE BALANCÍN ENCENDIDO-APAGADO (Ver Fig. 6)

Esta llave está sellada contra el polvo para prolongar su vida y está convenientemente ubicada cerca del frente del soporte para la mano.

Encienda la lijadora presionando la llave de encendido . Deje el motor construir a su velocidad máxima antes de comenzar la operación de enarenado. Para apagar la lijadora, presione el otro costado de la llave de encendido .

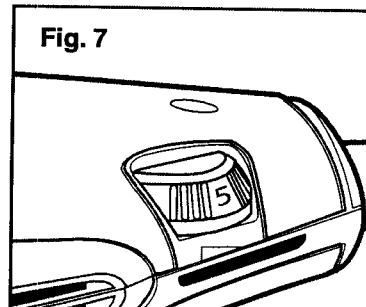


OPERACIÓN cont.

CONTROL VARIABLE DE VELOCIDAD (Ver Fig. 7)

La función de velocidad variable se deja ajustando los velocidades correctos con las lijas de papel de lijar y varios superficies y materiales que lijas para o material remoción rápido, o acabado fino y liso.

Rota el dial desde 1 hasta 6, con 1 la velocidad más bajo y 6 la velocidad más alta.



APLICACIONES

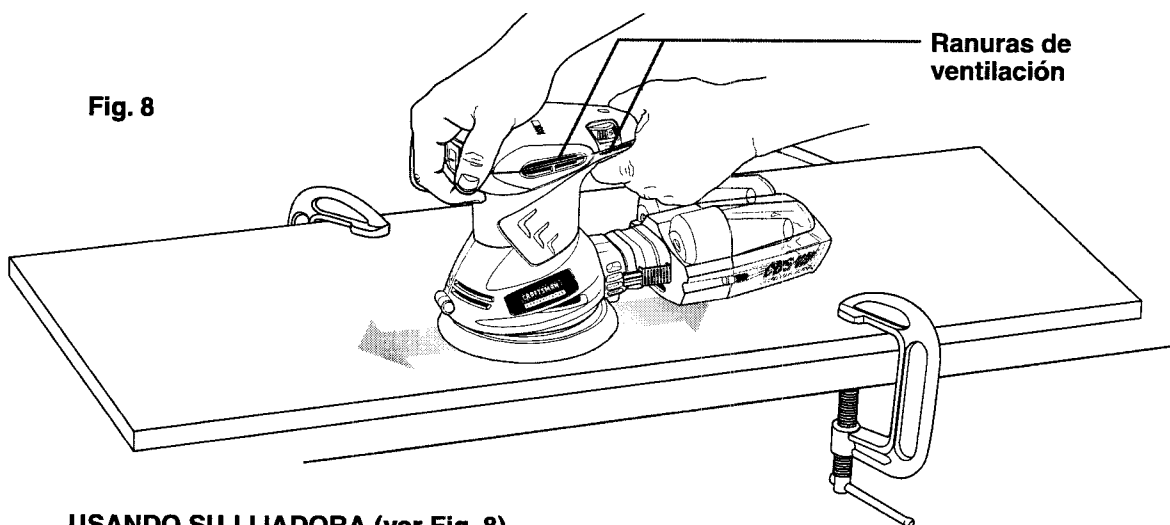
Utiliza su lijadora solamente para las aplicaciones enumerado más abajo.

- Lijando superficies de madera con lijos varios de papel de lijar.
- Quitando óxido de superficies de acero con papel de lijar especial.

⚠ ADVERTENCIA: Debido al peligro de incendio, NO USA su lijador lijar superficies de magnesio. NO USA para lijando mojado.

⚠ ADVERTENCIA: SIEMPRE sujete la pieza de trabajo. Una pieza de trabajo sin sujetar podría salir despedida hacia el operador, causando heridas graves.

⚠ PRECAUCIÓN: Al sostener la lijadora en uso, SIEMPRE tenga cuidado de no cubrir las ranuras de ventilación con sus manos (ver Fig. 9).



USANDO SU LIJADORA (ver Fig. 8)

1. SIEMPRE sujete la pieza de trabajo prevenir que mueva bajo la lijador.
2. Colóquele la lijadora sobre la superficie de trabajo de modo que todo el disco de lija haga contacto con la pieza de trabajo.
3. Encienda la lijadora y muévela lentamente sobre la pieza de trabajo, haciendo pasadas sucesivas en líneas paralelas, círculos o movimientos cruzados.

OPERACIÓN cont.

USANDO SU LIJADORA (ver Fig. 8 en pg. 41)

4. Cuando termine de lijar, apague la lijadora y espere hasta que el disco se detenga completamente antes de quitarlo de la pieza de trabajo.
5. Largos periodos de lijado pueden sobrecalentar el motor. En este caso, apague la lijadora y espere que el disco se detenga completamente, luego retire la lijadora de la pieza de trabajo. Quite el disco de lija y encienda la lijadora para hacerla funcionar sin carga (fuera de la pieza de trabajo) para enfriar el motor.

DATOS PARA LIJAR

1. **NO fuerce la lijadora.** El peso de la herramienta ofrece presión adecuada, por lo tanto deje que el papel de lijar y la lijadora hagan el trabajo.
 - Si aplica presión adicional solamente conseguirá hacer más lento el motor, desgastar más rápidamente el papel de lijar y reducir enormemente la velocidad orbital de la lijadora.
 - La presión excesiva sobrecargará el motor y hará que el motor se recaliente causando posible daño a la lijadora.
 - La presión excesiva también causará un trabajo de calidad inferior.
2. Cualquier acabado o resina de la madera puede ablandarse con el calor de la fricción, y causará el papel de lijar cargar más rápido
3. Inspeccione el papel de lijar con frecuencia y cambie el papel de lijar cuando desgasta el grano y no puede funcionar bien.
4. **NO lije** durante mucho tiempo en un mismo punto, pues la acción rápida de la lijadora puede sacar demasiado material dejando la superficie dispareja.

SELECCION DEL PAPEL DE LIJAR ADECUADO

Es muy importante seleccionar el grano y el tipo correcto del papel de lijar que le permitirá lograr un lijado de alta calidad.

1. El óxido de aluminio, carburo de silicio y otros abrasivos sintéticos son mejores para lijar con lijadoras mecánicas.
2. Los abrasivos naturales, tales como el pedernal y el granate son demasiado suaves para ser económicos cuando se utilizan en lijadoras mecánicas.
3. El grano áspero eliminará la mayoría de los materiales, y el grano más fino producirá el mejor acabado en todas las operaciones de lijado.
4. El estado de la superficie a ser lijada determinará que grano hará mejor el trabajo.
5. Si la superficie es áspera:
 - Comience con un papel de lijar de grano áspero y lije hasta que la superficie quede uniforme.
 - El grano mediano puede entonces usarse para sacar ralladuras dejadas por el grano más áspero.
 - Entonces use el grano más fino para terminar la superficie.

NOTA: SIEMPRE continúe lijando con cada grano hasta que la superficie se vea uniforme.

NOTA: NO use la lijadora sin tener papel de lijar instalado. De lo contrario dañará el almohadilla.

OPERACIÓN cont.

⚠ ADVERTENCIA: No use joyas o ropa sueltas cuando trabaje con la lijadora. Ellas pueden quedar atrapadas en las piezas móviles causando lesiones graves. Mantenga la cabeza alejada de la lijadora y del área que se está lijando. El cabello puede ser atraído hacia la lijadora causando lesiones graves.

⚠ ADVERTENCIA: Vacía la caja ciclónica guardapolvo antes de almacenamiento prevenir posibilidad de fuego, particularmente cuando has lijado capa de resina o acabado de aceite de linaza.

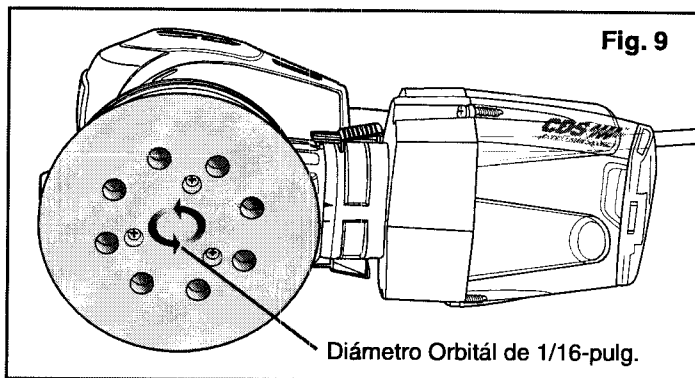
NOTA: Vacía la caja ciclónica guardapolvo con frecuencia durante lijando así que la sistema de juntando de polvo trabaja tan correctamente. .

MOVIMIENTO ORBITAL (vea Fig. 9)

Como se muestra en la Figura 9, el movimiento orbital de la lijadora es 1/16 de pulgada de diámetro, de forma tal que el papel de lijar se mueve en pequeños círculos a una velocidad muy alta, dejando la lijadora mover con facilidad.

Esta acción orbital duplica un movimiento de "lijado a mano", para un lijado más agresivo cuando impulse la lijadora hacia delante. Esta poderosa acción orbital es ideal para aplicaciones de lijado considerable, tales, como:

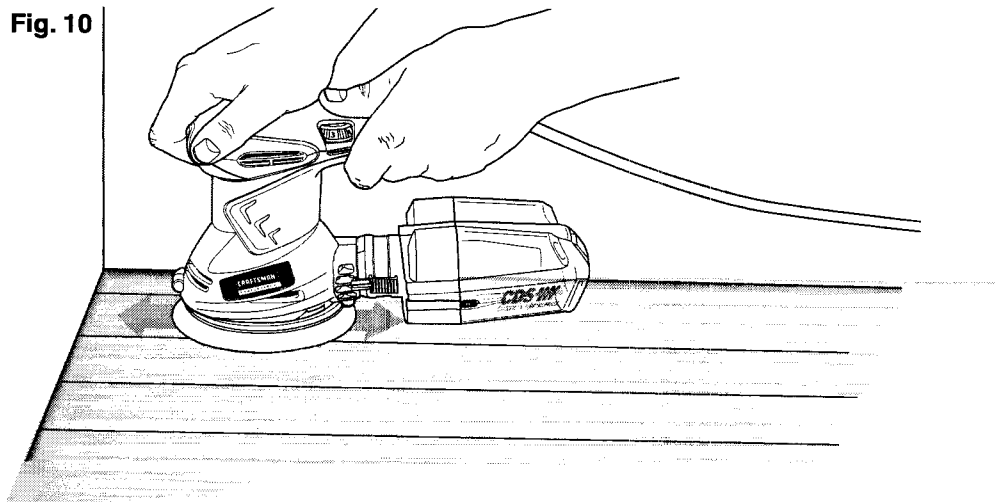
1. Sacar acabados antiguos.
2. Suavizar madera áspera.
3. Lijar hasta reducir a la dimensión deseada.
4. Acabar superficies que se van a pintar.



LIJADO AL RAS (vea Fig. 10)

Su lijadora le permitirá lijar al ras con el borde delantera de este lijador. Al finalizar de la operación de lijado, apague la lijadora y espere hasta que el disco de lijar viene a una parada completa antes de sacar de la pieza de trabajo.

Fig. 10



MANTENIMIENTO

⚠ ADVERTENCIA: Para asegurar la seguridad y confiabilidad, toda reparación DEBE ser realizada por un técnico calificado en un Centro de Servicio Sears.

⚠ ADVERTENCIA: Para evitar accidentes, SIEMPRE apague y desenchufe la herramienta ANTES de limpiarla o hacerle mantenimiento.

Es un hecho comprobado que las herramientas eléctricas sufren desgaste acelerado y posible falla prematura cuando se utilizan en botes de fibra de vidrio, automóviles deportivos, madera laminada, compuestos obturadores o yeso. Las astillas y el polvo de la fibra de vidrio son altamente abrasivos para los cojinetes, escobillas, conmutadores, etc. Por lo tanto no se recomienda que esta herramienta se use para trabajo prolongado en cualquier material de fibra de vidrio, madera laminada, compuestos obturadores o yeso. Durante cualquier uso de estos materiales, es extremadamente importante que la herramienta se limpie con frecuencia, soprándolo con un chorro de aire.

⚠ ADVERTENCIA: Use siempre gafas de seguridad o gafas con protectores laterales durante las operaciones con herramientas eléctricas, o al soplar el polvo. Si la operación es polvorienta, use también una máscara anti-polvo.

MANTENIMIENTO DE RUTINA

⚠ ADVERTENCIA: NO permite en ningún momento que fluido de frenos, gasolina, productos a base de petróleo, aceites penetrantes, etc. entren en contacto con las piezas plásticas. Los químicos pueden dañar, debilitar o destruir el plástico, lo cual podría resultar en lesiones personales graves.

El mantenimiento periódico facilita una larga vida y una operación libre de problemas. Mantenga un cronograma de limpieza, lubricación y mantenimiento. Como práctica de mantenimiento preventivo común, siga los siguientes pasos recomendados:

⚠ ADVERTENCIA: Para evitar accidentes, SIEMPRE apague y desenchufe la herramienta ANTES de limpiarla o hacerle mantenimiento.

1. Una vez finalizado el trabajo, limpie la herramienta para permitir un buen funcionamiento de la herramienta a lo largo del tiempo. Limpia la herramienta con aire comprimido.
2. Use paños limpios y húmedos para limpiar la herramienta. Utiliza un escobilla para quitar y limpiar la almohadilla de lijadora.
3. Mantenga las aberturas de aire del motor libres de aceite, grasa y aserrín o astillas de madera y guarde la herramienta en un lugar seco.

LUBRICACIÓN

La Lijadora Orbital Aleatoria Craftsman® se ha lubricado adecuadamente y está lista para utilizar. No es necesaria más lubricación bajo condiciones de funcionamiento normales. Se lubricaron todos los cojinetes de la lijadora para toda la vida útil de la herramienta.

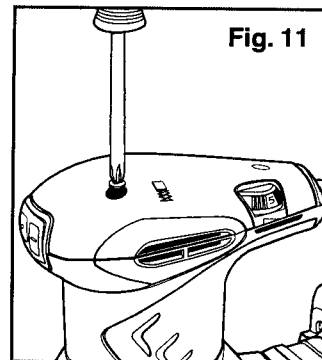
MANTENIMIENTO cont.

REEMPLAZO DE ESCOBILLAS (ver Fig. 11, 11a, 11b y 11c)

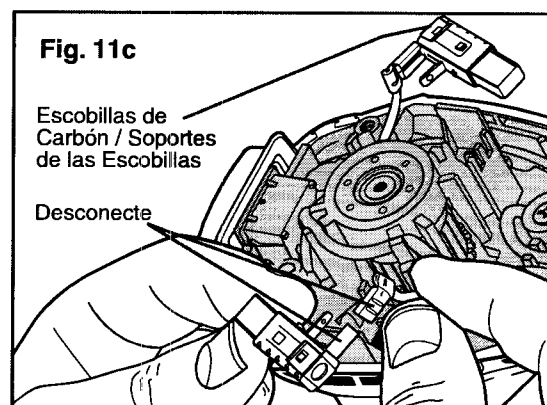
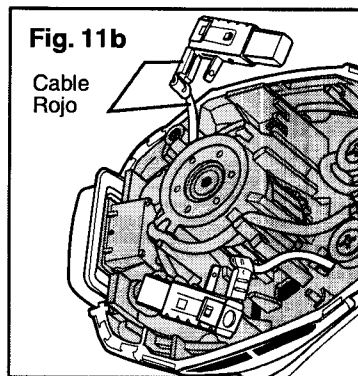
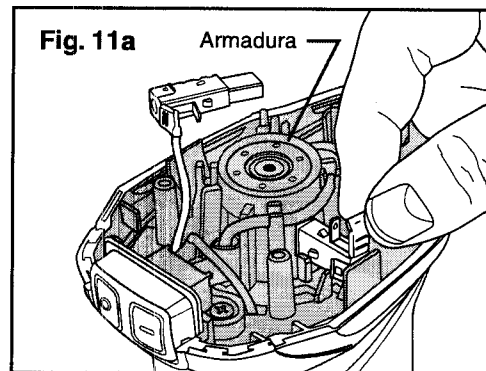
1. Desenchufe su lijadora.

⚠ ADVERTENCIA: Si no desenchufa su lijadora, se puede producir a puesta en marcha accidental causando una lesión grave.

2. Saque los (3) tornillos de la cubierta superior de la lijadora y quite la cubierta superior (ver Fig 11).
3. Ubique las (2) escobillas de carbón / soportes de las escobillas (ver Fig. 11a). Tienen conectado con cable rojo y están ubicadas a ambos lados de la armadura.
4. Levante cuidadosamente los dos soportes para sacarlos de su lugar. **(NOTA: Recuerde como están colocados para poder volver a colocarlos correctamente).**
5. Revise los extremos de las escobillas de carbón para ver si están gastadas. Si cualquiera de las escobillas tiene menos de ¼ pulgada de largo, reemplace las dos. **NO REEMPLACE UNA SIN REEMPLAZAR LA OTRA.**



6. Para reemplazarlas, desconecte el cable rojo de las mismas (ver fig 11c), coloque nuevas escobillas en los terminales y vuelva a colocarlas en sus posiciones originales junto a la armadura. Verifique que la curvatura del extremo de las escobillas se adapte a la curvatura de la armadura y que las escobillas se muevan libremente en sus soportes.
7. Vuelva a colocar la cubierta superior con los (3) tornillos sin ajustarlos de más.



ACCESORIOS

⚠ ADVERTENCIA: La utilización de repuestos o accesorios que no son recomendados para esta herramienta podría resultar peligrosa y podría causar lesiones graves.

Sears y otros puntos de venta Craftsman ofrecen una selección de accesorios para Craftsman Lijadora Orbital Aleatoria Profesional diseñado para todas sus aplicaciones que enarenan.

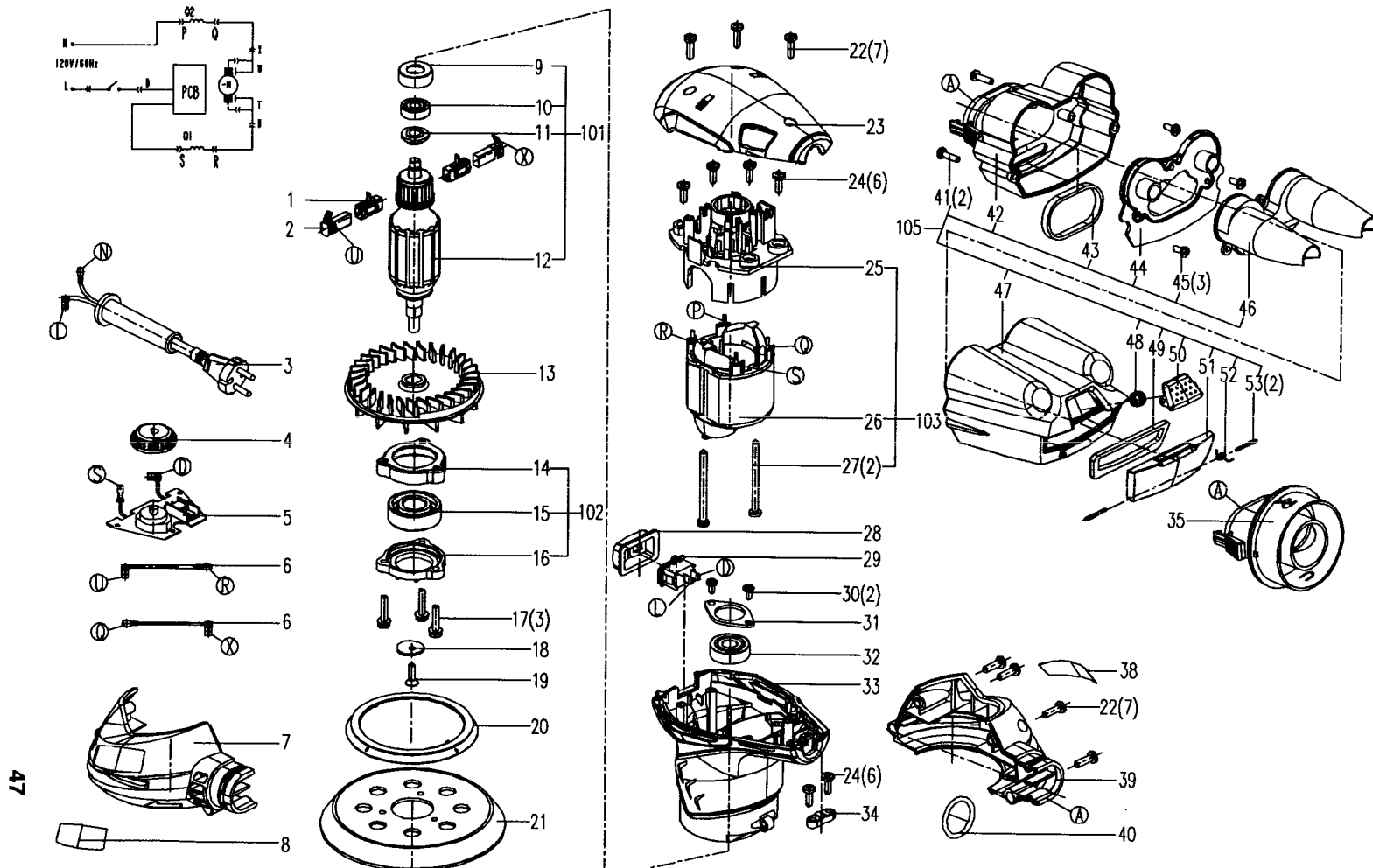
Los discos de lija ‘ gancho y vuelta’ de 5”, 8 orificios vienen en graduación muy fina, fina, mediana y gruesa.

Visita su comercio Sears local u otro punto de venta Craftsman o compre en sears.com/craftsman para todos los accesorios de su lijadora orbital aleatoria.

LISTA DE PARTES

3.0 Amperios / 5-pulg. Diámetro Separador Cyclónica de Polvo/Aire (CDS) Sistema de la Colección Lijadora Orbital Aleatoria MODELO No. 172.27673

El número de modelo será encontrado en la placa de identificación de la Lijadora Orbital Aleatoria. Mencione siempre el número de modelo al solicitar piezas o servicio para su herramienta.



LISTA DE PARTES cont.

3.0 Amperios 5-pulg. Diámetro Separador Cyclónica de Polvo/Aire Sistema de la Colección Lijadora Orbital Aleatoria MODELO No. 172.27673

El número de modelo será encontrado en la placa de identificación de la Lijadora Orbital Aleatoria. Mencione siempre el número de modelo al solicitar piezas o servicio para su herramienta.

Número	Número de Parte	Descripción	Cantidad
1	200T0040159000A-00	Montaje de Soporte de la Escobilla	2
2	200T0030119000A-00	Escobilla de Carbón	2
3	2PES04Q7000000A-00	Cordón de Poder	1
4	2PGA17T4001000A-00	Perilla para ajuste la velocidad	1
5	2PES04Q1010000A-00	Placa de velocidad variable	1
6	200T0280179000A-00	Alambre interior	2
7	2PES04Q0004000A-00	Baffle del viento izquierdo	1
8	2PES04Q0011000A-00	Etiqueta de marca	1
101	2PES04Q2000000A-00	Rotor	1
9	200T0070003000A-00	Manija de Rodamiento	1
10	200W8000006000A-00	Rodamiento esférico 607-2z-p63	1
11	200T0020005000A-00	Anillo prueba del polvo	1
12	20TA9520072000A-00	Armadura	1
13	2PES04Q0007000A-00	Ventilador	1
102	2PES04Q4000000A-00	Asiento de Abrazadera	1
14	2PES03A1102000A-00	Abrazadera	1
15	200W8000047000A-00	Rodamiento esférico 6202	1
16	2PES04Q4001000A-00	Abrazadera	1
17	200W3200029000A-00	Montaje de Arandela de Tornillo M4X20	3
18	2PES02A0011000A-00	Arandela	1
19	200W3000059000A-00	Tornillo M4X16	1
20	2PES04Q0006000A-00	Anillo de Freno	1
21	2PES03A2000000A-00	Placa de Base	1
22	200W4000035000A-00	Tornillo ST4.2X16	7
23	2PES04Q0002000A-00	Tapa superior	1
24	200W4000032000A-00	Tornillo ST4.2X13	6
103	2PES04Q3000000A-00	Brazo de Estator	1
25	2PES04Q3001000A-00	Abrazadera	1

LISTA DE PARTES cont.

3.0 Amperios 5-pulg. Diámetro Separador Cyclónica de Polvo/Aire Sistema de la Colección Lijadora Orbital Aleatoria MODELO No. 172.27673

El número de modelo será encontrado en la placa de identificación de la Lijadora Orbital Aleatoria. Mencione siempre el número de modelo al solicitar piezas o servicio para su herramienta.

Número	Número de Parte	Descripción	Cantidad
26	20TA9500080000A-00	Estator	1
27	200W4000052000A-00	Tornillo ST4.2X55	2
28	2PES02A0002000A-00	Tapa de Interruptor	1
29	200W0020265000A-00	Interruptor	1
30	200W4000005000A-00	Tornillo ST3.5X8	2
31	2PES04Q6001000A-00	Placa de Apriete	1
32	200W8500003000A-00	Rodamiento esférico 6000	1
33	2PES04Q0003000A-00	Carcasa	1
34	200T0200005000A-00	Prensa de Cordón	1
35	2PES04Q5001000A-00	Portilla de Polvo	1
38	2PES04Q0001000A-00	Etiqueta Clasificada	1
39	2PES04Q0005000A-00	Bafile del viento Derecho	1
40	200T0080024000A-00	Anillo O 3X34	1
105	2PES02A0900000A	Montaje de Caja de Colección de Polvo	1
41	200W4000009000A-00	Tornillo ST3.5X16	2
42	2PES02A0901000A-00	Portilla de Polvo	1
43	2PES02A0907000A-00	Tira de la prueba del aire	1
44	2PES02A0911000A-00	Placa Prueba de Polvo	1
45	200W4000006000A-00	Tornillo ST 3.5 X 10	3
46	2PES02A0912000A-00	Conducto Ciclónico	1
47	2PES02A0902000A-00	Colector de Polvo	1
48	200T0050034000A-00	Resorte de Compresión	1
49	2PES02A0905000A-00	Corrección Prueba de Aire	1
50	2PES02A0904000A-00	Botón	1
51	2PES02A0903000A-00	Tapa Trasera	1
52	200T0050208000A-00	Resorte Torsional	1
53	2PES02A0906000A-00	Clavija	2

Get it fixed, at your home or ours!

Your Home

For expert troubleshooting and home solutions advice:

manage my home

www.managemyhome.com

For repair – in **your home** – of all major brand appliances, lawn and garden equipment, or heating and cooling systems, **no matter who made it, no matter who sold it!**

For the replacement parts, accessories and owner's manuals that you need to do-it-yourself.

For Sears professional installation of home appliances and items like garage door openers and water heaters.

1-800-4-MY-HOME®

(1-800-469-4663)

www.sears.com

Call anytime, day or night

(U.S.A. and Canada)

www.sears.ca

Our Home

For repair of carry-in items like vacuums, lawn equipment, and electronics, call anytime for the location of the nearest **Sears Parts & Repair Service Center**

1-800-488-1222 (U.S.A.)

www.sears.com

1-800-469-4663 (Canada)

www.sears.ca

To purchase a protection agreement on a product serviced by Sears:

1-800-827-6655 (U.S.A.)

1-800-361-6665 (Canada)

Para pedir servicio de reparación a domicilio, y para ordenar piezas:

1-888-SU-HOGAR®

(1-888-784-6427)

Au Canada pour service en français:

1-800-LE-FOYER^{MC}

(1-800-533-6937)

www.sears.ca



© Sears Brands, LLC

® Registered Trademark / TM Trademark / SM Service Mark of Sears Brands, LLC

® Marca Registrada / TM Marca de Fábrica / SM Marca de Servicio de Sears Brands, LLC

^{MC} Marque de commerce / ^{MD} Marque déposée de Sears Brands, LLC