



**Owner's Manual and
Installation Instructions**

Room Air Conditioners

Safety Instructions 2, 3

Operating Instructions

Controls—Control Knobs 8, 9

Controls—Touch Pads 4-6

Care and Cleaning

Air Filter 11

Front Grille 10

Grille and Case 10

Outdoor Coils 10

Installation Instructions

Before You Begin 12, 13

Installing a J-Model in
an Existing Wall Case 14

Through-the-Wall
Installation—Optional 15

Window Installation—
Optional on models
so equipped 16-21

Troubleshooting Tips 22

Normal Operating Sounds 22

Consumer Support

Consumer Support . . . Back Cover
Warranty 23

*ENERGY STAR® labeled product



As an ENERGY STAR® partner, GE has determined that this product meets the ENERGY STAR® guidelines for energy efficiency.

Write the model and serial numbers here:

Model # _____

Serial # _____

Find these numbers on a label on the front of the base pan behind the front grille.

Cool Only: AJCH 08, 10 ACC*

AJCH 10, 12 DCC*

AJCQ 06 LCC*

AJCQ 08, 10, 12 ACC*

AJCQ 10, 12 DCC*

AJCS 06 LCC*

AJCS 08, 10 ACC*

AJCS 09, 10, 12 DCC*

Heat/Cool: AJEH 12 DCC

AJES 06 LSC

AJES 08 ASC

AJES 09, 10, 12 DCC

AJES 10 DSC

Heat Pump: AJHS 08 ASC*

AJHS 08, 10 DCC*

Español

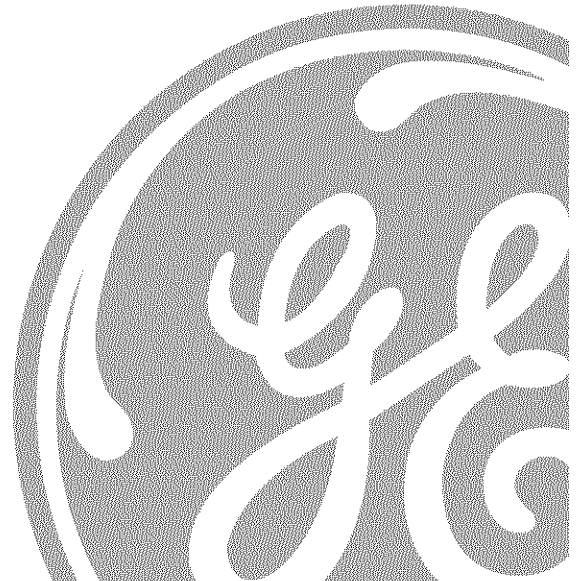
For a Spanish version of this manual, visit our Website at ge.com.

Para consultar una versión en español de este manual de instrucciones, visite nuestro sitio de internet ge.com.

Française

For a French version of this manual, visit our Website at www.electromenagersge.ca

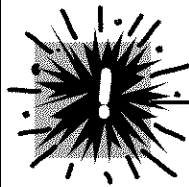
Pour une version française de ce manuel d'utilisation, veuillez visiter notre site web à l'adresse www.electromenagersge.ca



IMPORTANT SAFETY INFORMATION. READ ALL INSTRUCTIONS BEFORE USING.

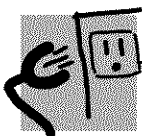
WARNING!

For your safety, the information in this manual must be followed to minimize the risk of fire, electric shock or personal injury.



SAFETY PRECAUTIONS

- Use this appliance only for its intended purpose as described in this Owner's Manual.
 - This air conditioner must be properly installed in accordance with the Installation Instructions before it is used.
 - Never unplug your air conditioner by pulling on the power cord. Always grip plug firmly and pull straight out from the receptacle.
 - Replace immediately all electric service cords that have become frayed or otherwise damaged. A damaged power supply cord must be replaced with a new power supply cord obtained from the manufacturer and not repaired. Do not use a cord that shows cracks or abrasion damage along its length or at either the plug or connector end.
 - Turn the mode control **OFF** and unplug your air conditioner before making any repairs or cleaning.
- NOTE:** We strongly recommend that any servicing be performed by a qualified individual.
- For your safety...do not store or use combustible materials, gasoline or other flammable vapors or liquids in the vicinity of this or any other appliance.
 - All air conditioners contain refrigerants, which under federal law must be removed prior to product disposal. If you are getting rid of an old product with refrigerants, check with the company handling disposal about what to do.



HOW TO CONNECT ELECTRICITY

Do not, under any circumstances, cut or remove the third (ground) prong from the power cord. For personal safety, this appliance must be properly grounded.

The power cord of this appliance is equipped with a 3-prong (grounding) plug which mates with a standard 3-prong (grounding) wall outlet to minimize the possibility of electric shock hazard from this appliance.

Power cord may include a current interrupter device. A test and reset button is provided on the plug case. The device should be tested on a periodic basis by first pressing the **TEST** button and then the **RESET** button. If the **TEST** button does not trip or if the **RESET** button will not stay engaged, discontinue use of the air conditioner and contact a qualified service technician.

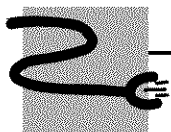
Have the wall outlet and circuit checked by a qualified electrician to make sure the outlet is properly grounded.

Where a 2-prong wall outlet is encountered, it is your personal responsibility and obligation to have it replaced with a properly grounded 3-prong wall outlet.

The air conditioner should always be plugged into its own individual electrical outlet which has a voltage rating that matches the rating plate.

This provides the best performance and also prevents overloading house wiring circuits which could cause a fire hazard from overheated wires.

See the Installation Instructions, *Electrical Requirements* section for specific electrical connection requirements.

⚠ WARNING!**USE OF EXTENSION CORDS**—115-Volt models only

Because of potential safety hazards under certain conditions, we strongly recommend against the use of an extension cord.

However, if you must use an extension cord, it is absolutely necessary that it be a UL-listed, 14 gauge, 3-wire grounding type appliance extension cord having a grounding type plug and outlet and that the electrical rating of the cord be 15 amperes (minimum) and 125 volts.

⚠ CAUTION:

DO NOT use an extension cord with any of the 230/208 volt models.

**USE OF ADAPTER PLUGS**—115-Volt models only

Because of potential safety hazards under certain conditions, we strongly recommend against the use of an adapter plug.

However, if you must use an adapter, where local codes permit, a **temporary connection** may be made to a properly grounded 2-prong wall outlet by use of a UL-listed adapter available at most local hardware stores.

The larger slot in the adapter must be aligned with the larger slot in the wall outlet to provide proper polarity in the connection of the power cord.

When disconnecting the power cord from the adapter, always hold the adapter in place with one hand while pulling the power cord plug with the other hand. If this is not done, the adapter ground terminal is very likely to break with repeated use.

If the adapter ground terminal breaks, **DO NOT USE** the air conditioner until a proper ground has been established.

Attaching the adapter ground terminal to a wall outlet cover screw does not ground the appliance unless the cover screw is metal, not insulated, and the wall outlet is grounded through the house wiring. You should have the circuit checked by a qualified electrician to make sure the outlet is properly grounded.

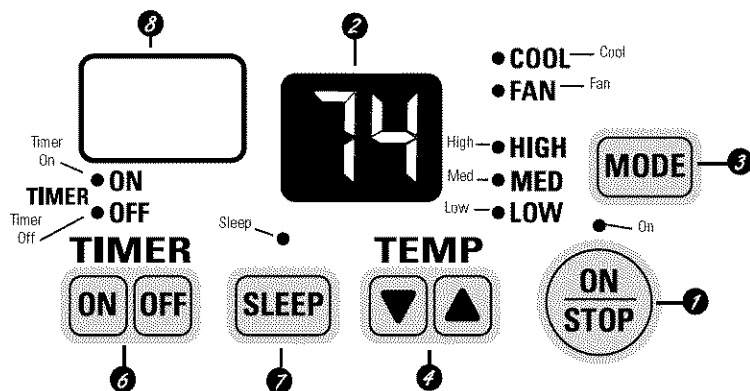


READ AND FOLLOW THIS SAFETY INFORMATION CAREFULLY.

SAVE THESE INSTRUCTIONS

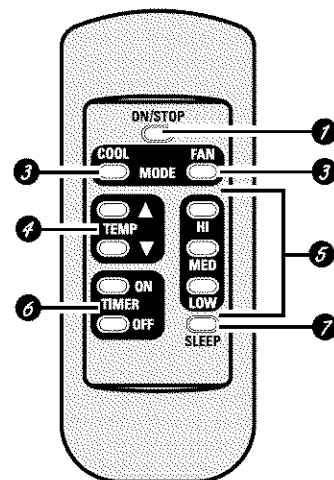
About the controls on the air conditioner—models with touch pads.

Appearance may vary.



Air Conditioner Controls

Lights beside the touch pads on the air conditioner control panel indicate the selected settings.



Remote Control

When the air conditioner is turned on, it will automatically start in the setting last used.



Controls

- 1 ON/STOP**
Turns air conditioner on and off.
- 2 Display**
- 3 MODE**
On the remote control, use to set the air conditioner to **COOL** or **FAN** mode.
On the air conditioner controls, use to set **COOL** or **FAN** mode at **HIGH**, **MED** or **LOW** fan speed. Indicator lights on the air conditioner controls will show the mode and fan speed selected.
- 4 TEMP Increase ▲ /Decrease ▼ Pads**
Use to set temperature when in **COOL** mode.
- 5 Fan Speeds (Remote control only)**
Use to set the fan speed at **LOW**, **MED** or **HIGH**.
- 6 TIMER ON**—When the air conditioner is off, it can be set to automatically turn on in half an hour to 24 hours at its previous setting. Each touch will set the time in half hours up to 10 and then in hours up to 24.

To cancel (CL) the On Timer press the **ON** pad again.

OFF—When the air conditioner is on, it can be set to automatically turn off in half an hour to 24 hours. Each touch will set the time in half hours up to 10 and then in hours up to 24.

To cancel (CL) the Off Timer press the **OFF** pad again.

To cancel the timer, press the **ON** or **OFF** pads until the display time disappears.

- 7 SLEEP**
Press to set the air conditioner to run for 8 hours before it automatically returns to the previous setting.

When the sleep timer is set, the set temperature will automatically increase 2°F after the second hour then 1°F each hour over the next two hours.

To cancel the sleep mode, press the **MODE** pad or the **SLEEP** pad a second time.

- 8 Remote Control Signal Receiver**

Remote Control

- To ensure proper operation, aim the remote control at the signal receiver on the air conditioner.
- The remote control signal has a range of up to 21 feet.
- Make sure nothing is between the air conditioner and the remote control that could block the signal.
- Make sure batteries are fresh and installed correctly—see the *Care and Cleaning* section.

COOL MODE

Remote Control

1. Press **COOL** pad.
2. Press **LOW**, **MED** or **HI** pads to set desired fan speed.
3. Press the **INCREASE ▲ / DECREASE ▼** pads to set the desired temperature 60°F to 85°F in 1°F increments.

Control Panel

1. Press the **MODE** pad until the **COOL** indicator light is lit and the **LOW**, **MED** or **HI** indicator light is lit for the desired fan speed.
2. Press the **INCREASE ▲ / DECREASE ▼** pads to set the desired temperature 60°F to 85°F in 1°F increments.

A thermostat is used to maintain the room temperature. The compressor will cycle on and off to keep the room at the set level of comfort. Set the thermostat at a lower number and the indoor air will

become cooler. Set the thermostat at a higher number and the indoor air will become warmer.

NOTE: If the air conditioner is off and is then turned on while set to **COOL**, it will take approximately 3 minutes for the compressor to start and cooling to begin.

Cooling Descriptions

For Normal Cooling—Select the **COOL** mode and **HIGH** or **MED** fan with a middle set temperature.

For Maximum Cooling—Select the **COOL** mode and **HIGH** fan with a lower set temperature.

For Quieter & Nighttime Cooling—Select the **COOL** mode and **LOW** fan with a middle set temperature.

NOTE: If you switch from a **COOL** setting to **OFF** or to a fan setting, wait at least 3 minutes before switching back to a **COOL** setting.

Fan Switch

The fan switch is located behind the front grille on the control box. Access through a hole in control box.

When set at **CYCLE** (down) the fan cycles on and off.

When set at **CONT** (continuous, up) the fan runs all the time providing a more balanced temperature. The unit is shipped in the **CONT** setting.

FAN MODE

Use the **FAN** mode to provide air circulation and filtering without cooling. Since fan only settings do not provide cooling, a temperature setting will not be displayed.

Remote Control

Press **FAN** pad. Press **LOW**, **MED** or **HI** pads to set desired fan speed.

Control Panel

Press the **MODE** pad until the **FAN** indicator light is lit and the **LOW**, **MED** or **HI** indicator light is lit for the desired fan speed.

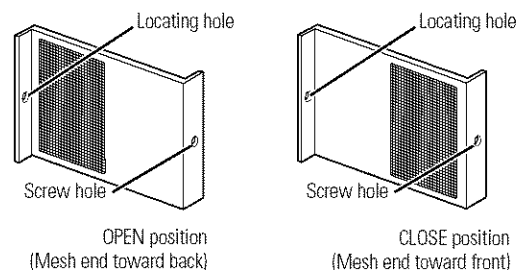
Vent Control

The vent control is located behind the front grille on the right side of the air discharge area. When set at **CLOSE**, only the air inside the room will be circulated and conditioned. When set at **OPEN**, some inside air is exhausted outside.

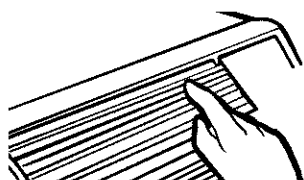
To open or close the vent:

1. Remove the front grille.
2. Remove the vent card screw.
3. Remove vent card, turn it over and replace it by locating rear hole in card over locating pin inside air discharge and reattaching screw at front.

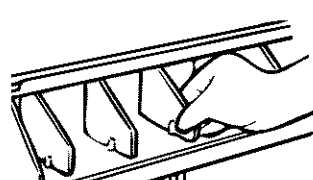
The unit leaves the factory set at the **CLOSE** position.



Air Direction



Horizontal louvers on the front grille let you control the air direction up and down.



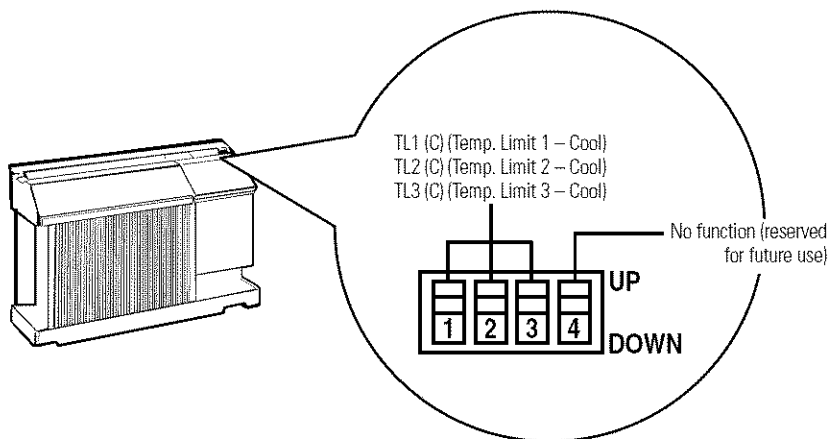
Remove the front grille to adjust the vertical louvers side-to-side to direct the air left or right.

About the controls on the air conditioner—models with touch pads.

Auxiliary Controls – Temperature Limiting

To reach the auxiliary controls remove the front grille. Access them through the small rectangular opening above the control panel.

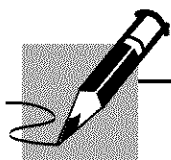
Temperature limiting can reduce energy costs by limiting the lowest temperature that can be set for cooling. Temperature limiting is controlled by switches 1–3 of auxiliary controls.



Temperature limiting during COOL mode (all temperatures shown in °F)			
UP	DOWN	Minimum	Maximum
NONE	1, 2, 3	60°	85°
1	2, 3	64°	85°
1, 2	3	66°	85°
2	1, 3	68°	85°
2,3	1	70°	85°
1, 2, 3	NONE	72°	85°
1, 3	2	74°	85°
3	1, 2	76°	85°

Notes.

ge.com



A series of horizontal lines for taking notes, starting from the top of the page and extending down to the bottom of the page.

Safety Instructions

Operating Instructions

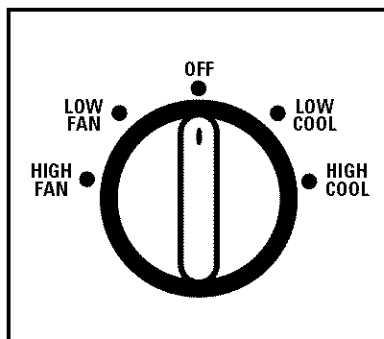
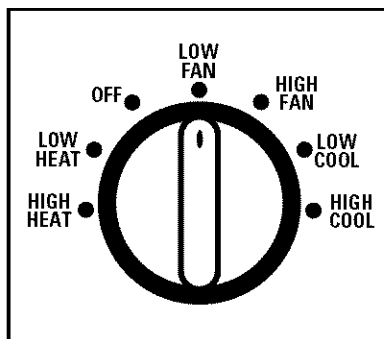
Care and Cleaning

Installation Instructions

Troubleshooting Tips

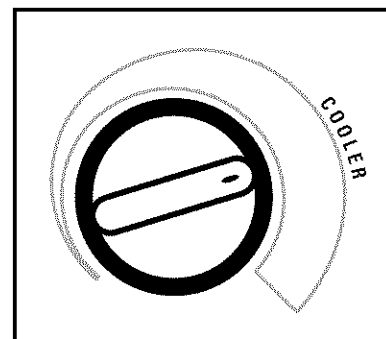
Consumer Support

About the controls on the air conditioner—models with control knobs.



MODE CONTROL

1



TEMP CONTROL

2



Controls

1 Mode Control
HIGH COOL and **LOW COOL** provide cooling with different fan speeds.

HIGH HEAT and **LOW HEAT** provide heating with different fan speeds.

LOW FAN or **HIGH FAN** provides air circulation and filtering without cooling or heating.

NOTE: If you move the switch from a cool or heat setting to OFF or to a fan setting, wait at least 3 minutes before switching back to a cool or heat setting. A 3-minute delay is automatically provided on the Heat/Cool and Heat Pump models.

Cooling/Heating Descriptions

For Normal Cooling or Heating—Select **HIGH COOL** or **HIGH HEAT** with the thermostat at mid point.

For Maximum Cooling—Select **HIGH COOL** with the thermostat at maximum cool.

For Maximum Heating—Select **HIGH HEAT** with the thermostat at maximum heat.

For Quieter & Nighttime Cooling—Select **LOW COOL** with the thermostat at mid point.

2 Temp Control
 The temp control is used to maintain the room temperature. The compressor will cycle on and off to keep the room at the same level of comfort. When you turn the knob to **COOLER** (blue) the indoor air will become cooler. Turn the knob to **WARMER** (red) and the indoor air will become warmer.

Heat Pump Models

When the outdoor temperature is lower than 25°F, heat is provided by the electric heater in the air conditioner instead of by the heat pump.

NOTE: The electric resistance heater in the 115-volt heat pump model operates during defrost when the outdoor coil temperature is below 36°F. It is not intended to provide full heat capability.

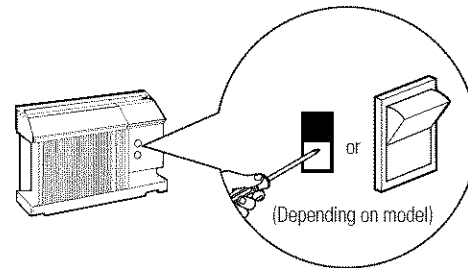
Fan Switch

To reach the fan switch(es) remove the front grille.

On Heat/Cool and Heat Pump models, the fan switch levers are located in holes accessed through the control box. The top switch is for **COOL** settings and the bottom switch is for **HEAT** settings. Use a small screwdriver to change the setting. The unit is shipped from the factory set in the **CONT** setting for **COOL** and in the **CYCLE** setting for **HEAT**.

Cool only models have a rocker switch on the front of the control box.

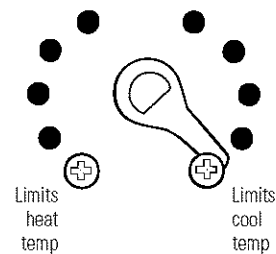
When set at **CYCLE** (down) the fan cycles on and off when cooling. When set at **CONT** (continuous, up) the fan runs all the time, providing a more balanced temperature. The unit is shipped in the **CONT** setting.



Temperature Limiting

Limiting the maximum and minimum settings prevents users from turning the control to the extreme heat or cool positions.

The normal range of the temp control is approximately 60°F to 85°F. The control range may be narrowed by the use of the temperature limiting screws located behind the control panel.



Each position equals approximately 3°F.

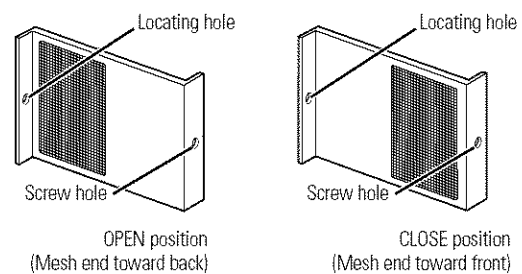
Vent Control

The vent control is located behind the front grille on the right side of the air discharge area. When set at **CLOSE**, only the air inside the room will be circulated and conditioned. When set at **OPEN**, some inside air is exhausted outside.

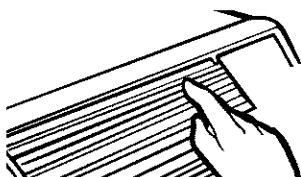
To open or close the vent:

1. Remove the front grille.
2. Remove the vent card screw.
3. Remove vent card, turn it over and replace it by locating rear hole in card over locating pin inside air discharge and reattaching screw at front.

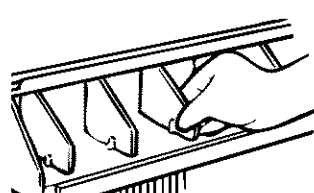
The unit leaves the factory set at the CLOSE position.



Air Direction



Horizontal louvers on the front grille let you control the air direction up and down.



Remove the front grille to adjust the vertical louvers side-to-side to direct the air left or right.

Care and cleaning of the air conditioner.

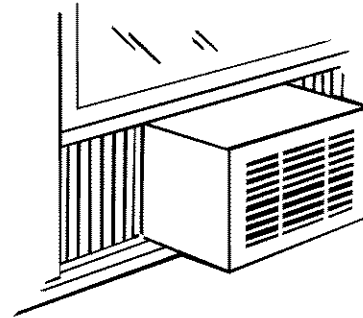
Grille and Case

Turn the air conditioner off and remove the plug from the wall outlet before cleaning.

To clean, use water and a mild detergent. Do not use bleach or abrasives.

Outdoor Coils

The coils on the outdoor side of the air conditioner should be checked regularly. If they are clogged with dirt or soot they may be professionally steam cleaned, a service available through your GE service outlet.

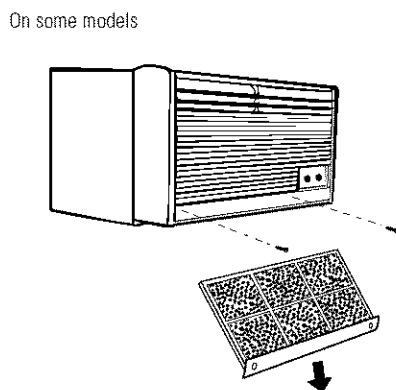
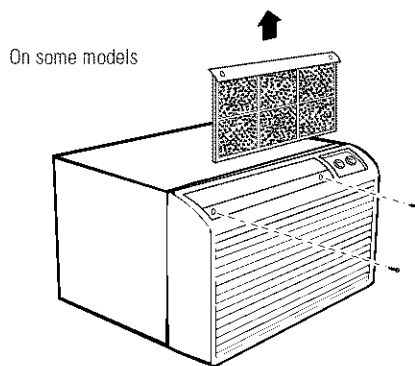


Front Grille

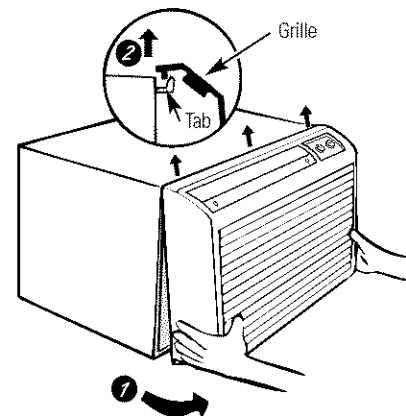
The front grille can be removed for more thorough cleaning or to make the model and serial numbers accessible.

To remove:

1. Pull the filter out.
2. Remove the two grille screws.



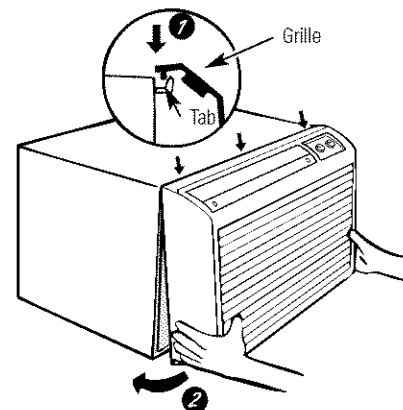
3. Pull the grille out from the bottom and lift up from the tabs on the top of the case.



To replace:

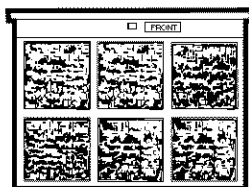
Hook the tabs on the front grille even with the tabs on the case and snap into place.

Replace the screws and filter.

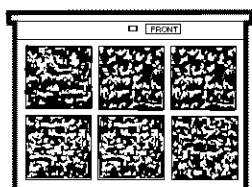


To maintain optimum performance, clean the filter at least every 30 days.

Air Filter



Dirty filter—Needs cleaning



Clogged filter—Greatly reduces cooling, heating and airflow.

Turn the air conditioner off before cleaning.

The most important thing you can do to maintain the air conditioner is to clean the filter at least every 30 days. A clogged filter reduces cooling, heating and air flow.

Keeping the air filter clean will:

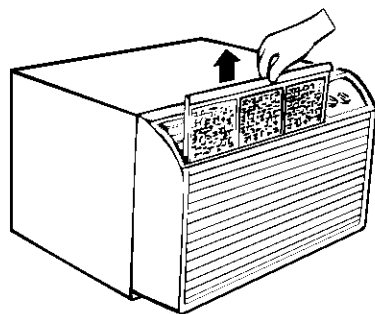
- Decrease cost of operation.
- Save energy.
- Prevent clogged heat exchanger coils.
- Reduce the risk of premature component failure.

To clean the air filters:

- Vacuum off the heavy soil.
- Run water through the filters.
- Dry thoroughly before replacing.

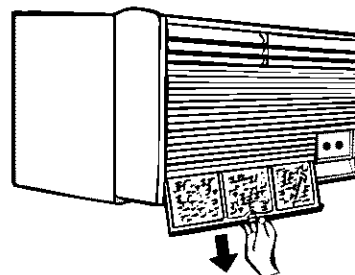
To remove the air filter, on some models:

Carefully pull the tab forward, up and out.



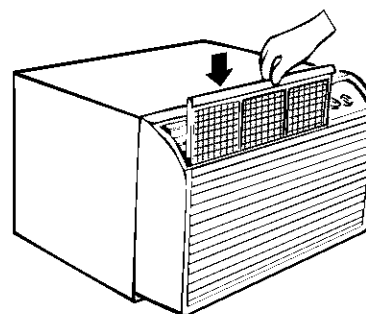
To remove the air filter, on other models:

Pull it down.



To replace the air filter:

Replace the clean filter by pushing it back into place.



▲ CAUTION: Do not operate the air conditioner without the filter in place. If a filter becomes torn or damaged it should be replaced immediately.

Operating without the filter in place or with a damaged filter will allow dirt and dust to reach the indoor coil and reduce the cooling, heating, airflow and efficiency of the unit.

Replacement filters are available from your salesperson, GE dealer, GE Service and Parts Center or authorized Customer Care® servicers.

How to Insert the Batteries

- 1 Remove the battery cover by sliding it according to the arrow direction.
- 2 Insert new batteries making sure that the (+) and (-) of battery are installed correctly.
- 3 Reattach the cover by sliding it back into position.

NOTES:

- Use 2 AAA (1.5 volt) batteries. Do not use rechargeable batteries.
- Remove the batteries from the remote control if the system is not going to be used for a long time.

Installation Instructions

Air Conditioner

? Questions? Call 800.GE.CARES (800.432.2737) or Visit our Website at: ge.com



BEFORE YOU BEGIN

Read these instructions completely and carefully.

- **IMPORTANT** — Save these instructions for local inspector's use.
- **IMPORTANT** — Observe all governing codes and ordinances.
- **Note to Installer** – Be sure to leave these instructions with the Consumer.
- **Note to Consumer** – Keep these instructions for future reference.
- **Skill level** – Installation of this appliance requires basic mechanical skills.
- **Completion time** – Approximately 1 hour
- We recommend that two people install this product.
- Proper installation is the responsibility of the installer.
- Product failure due to improper installation is not covered under the Warranty.



ELECTRICAL REQUIREMENTS



Some models require a 115/120-volt a.c., 60 Hz grounded outlet protected with a 15-amp time delay fuse or circuit breaker.

The 3-prong grounding plug minimizes the possibility of electric shock hazard. If the wall outlet you plan to use is only a 2-prong outlet, it is your responsibility to have it replaced with a properly grounded 3-prong wall outlet.



Some models require 230/208-volt a.c., protected with a time delay fuse or circuit breaker. These models should be installed



on their own single branch circuit for best performance and to prevent overloading house or apartment wiring circuits, which could cause a possible fire hazard from overheating wires.

⚠ CAUTION:

Do not, under any circumstances, cut or remove the third (ground) prong from the power cord.

Do not change the plug on the power cord of this air conditioner.

Aluminum house wiring may present special problems—consult a qualified electrician.

IMPORTANT!

GE strongly recommends the removal of the old wall case and the installation of a new GE Wall Case. If you decide to keep the existing wall case, you may need a kit to ensure proper performance. If you DO NOT use a kit, you run the risk of poor performance or product failure. This is not covered under the terms of the GE warranty.

J-MODEL QUALIFYING QUESTIONS

J-model air conditioners may fit in existing wall cases. However, they often need a kit to properly adapt the case to the GE air conditioner. Answer these questions and see the chart on the next page for the proper kit.

A What brand air conditioner will you be replacing?

B What are the dimensions of the wall case currently in use?

C What is the model number of the chassis currently in use? What is the model (or Type) number of the wall case currently in use?

Frequently, the J-model adapter kit will apply to another brand model "series" or specific vintage. In these cases, you need the chassis model number and/or the wall case or "type" number to confirm the use of the correct adapter kit.

D What type of outdoor grille is used with the current wall case?

There may be an architectural grille attached to a wall case to enhance the exterior appearance of the building. Custom grilles may be used with J-model wall cases provided a J-model adapter kit is also used to ensure proper airflow.

Installation Instructions

Read these instructions completely and carefully.

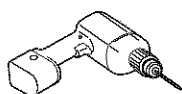
Power cord may include a current interrupter device. A test and reset button is provided on the plug case. The device should be tested on a periodic basis by first pressing the **TEST** button

and then the **RESET** button. If the **TEST** button does not trip or if the **RESET** button will not stay engaged, discontinue use of the air conditioner and contact a qualified service technician.

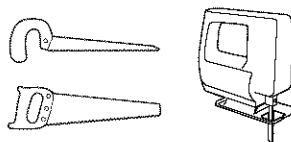
TOOLS YOU MAY NEED



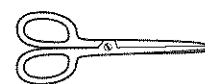
Phillips head screwdriver



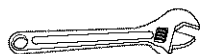
Drill



Hand or Saber Saw



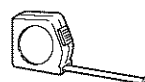
Scissors or knife



Adjustable Wrench



Pencil



Ruler or Tape Measure



Level

GE KIT NUMBERS

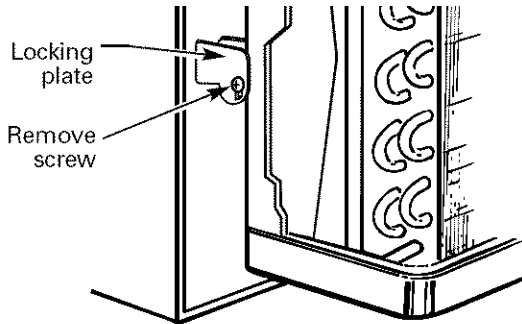
USE GE KIT NUMBER:	FOR:	DESCRIPTION:
RAK56A100	GE RAB13, 14 & 15 (ACLB & RCL Chassis)	Fits all GE wall cases 26"W x 18"H x 24"D
RAK1072	Hotpoint ACXB10 & 11 (ACTB Chassis)	Adapts an older Hotpoint wall case to a "J" model chassis. Fits Hotpoint wall cases 25¾"W x 16⅞"H x 18⅞"D
RAK1082	Whirlpool Type 23W Wall Case	Adapts Whirlpool wall case to a "J" model chassis. Fits Whirlpool wall cases 25⅞"W x 16½"H x 23⅞"D
RAK1102	GE RAB30 ("F" models)	Adapts GE wall case to a "J" model chassis. Fits the RAB 30 wall case 26"W x 18"H x 24"D
RAK123A64	Fedders Wall Case "A"	Adapts Fedders wall case to a "J" model chassis. Fits Fedders wall cases 27"W x 16¼"H x 16¼"D
RAK126	Westinghouse Wall Case (Type 2626D73H01)	Adapts Westinghouse wall case to a "J" model chassis. Fits Westinghouse wall cases 25⅞"W x 15⅞"H x 16"D
RAB46, 47 & 48	Use these kits for all other brands not listed.	Standard wall case for "J" model chassis. RAG13 stamped aluminum exterior grille included. Remove the existing case and replace.
RAK690	RAB36, 37, 38, 46, 47 or 48 (J-Chassis)	If you attach a custom architectural outdoor grille, use this kit to ensure proper airflow.
RAG13	RAB36, 37, 38, 46, 47 or 48 (J-Chassis)	Standard aluminum exterior grille (included with RAB46, 47, and 48 wall cases)
RAG14E	RAB36, 37, 38, 46, 47 or 48 (J-Chassis)	Architectural louvered exterior grille

Installation Instructions

INSTALLING A J-MODEL IN AN EXISTING WALL CASE

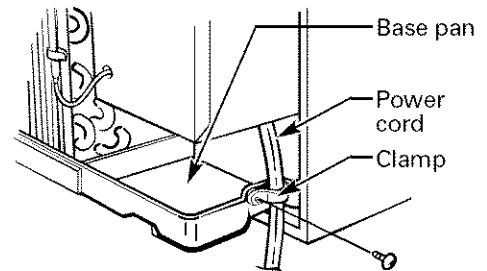
Read these instructions completely and carefully.

1 REMOVE LOCKING PLATE ON FRONT LEFT SIDE

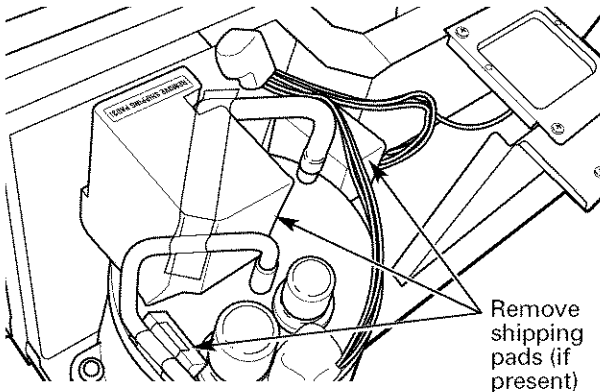


4 REINSTALL LOCKING PLATE WITH TAB BEHIND WALL CASE FLANGE. TIGHTEN SCREW

5 ATTACH POWER CORD TO BASE PAN WITH CLAMP



2 REMOVE ALL SHIPPING PADS (IF PRESENT) INSIDE AIR CONDITIONER NEXT TO COMPRESSOR

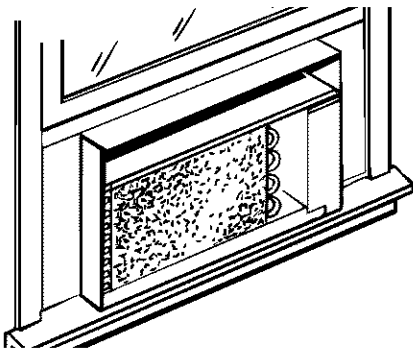


6 ATTACH FRONT GRILLE

An opening for the power cord is on the bottom of the front grille.

3 CAREFULLY SLIDE AIR CONDITIONER BACK INTO CASE

Make sure that the tubing on the unit does not touch the wall case and that the case installation is secure.



Installation Instructions

INSTALLING THROUGH THE WALL

Read these instructions completely and carefully.

1 PREPARE OPENING IN WALL

Make certain a wall receptacle is available close to the hole location or make arrangements to install a receptacle.

The cord length for the 115-volt models is 72" to the right and 47" to the left.

For the 230/208-volt models the cord length is 65" to the right and 39" to the left.

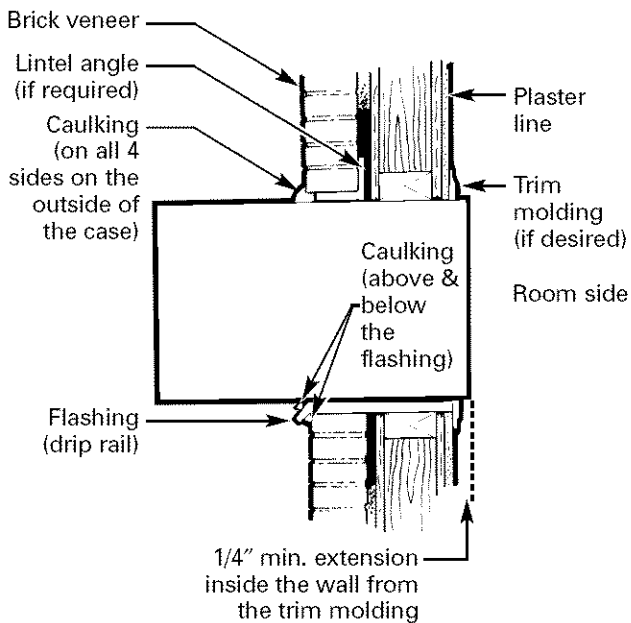
2 SUPPORT REQUIREMENTS FOR AIR CONDITIONER

The air conditioner wall case may be installed with 1/4" min. extension out from the inside wall or with 1/4" min. extension out from the outside wall.

The finished sides of the opening should be structural wall members.

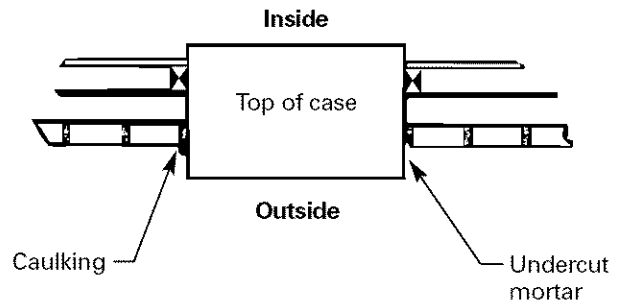
Lintel – Use a lintel in brick veneer and brick and block types of wall to support the bricks or blocks above the opening. Do not allow the wall case to be used in lieu of a lintel.

Flashing – Install flashing (drip rail) as shown to prevent water from dripping inside the wall and down the outside of the building.



3 SUPPORT REQUIREMENTS FOR AIR CONDITIONER

Mortar between the case and the brick all around the case may be undercut at about 45° for improved caulking.

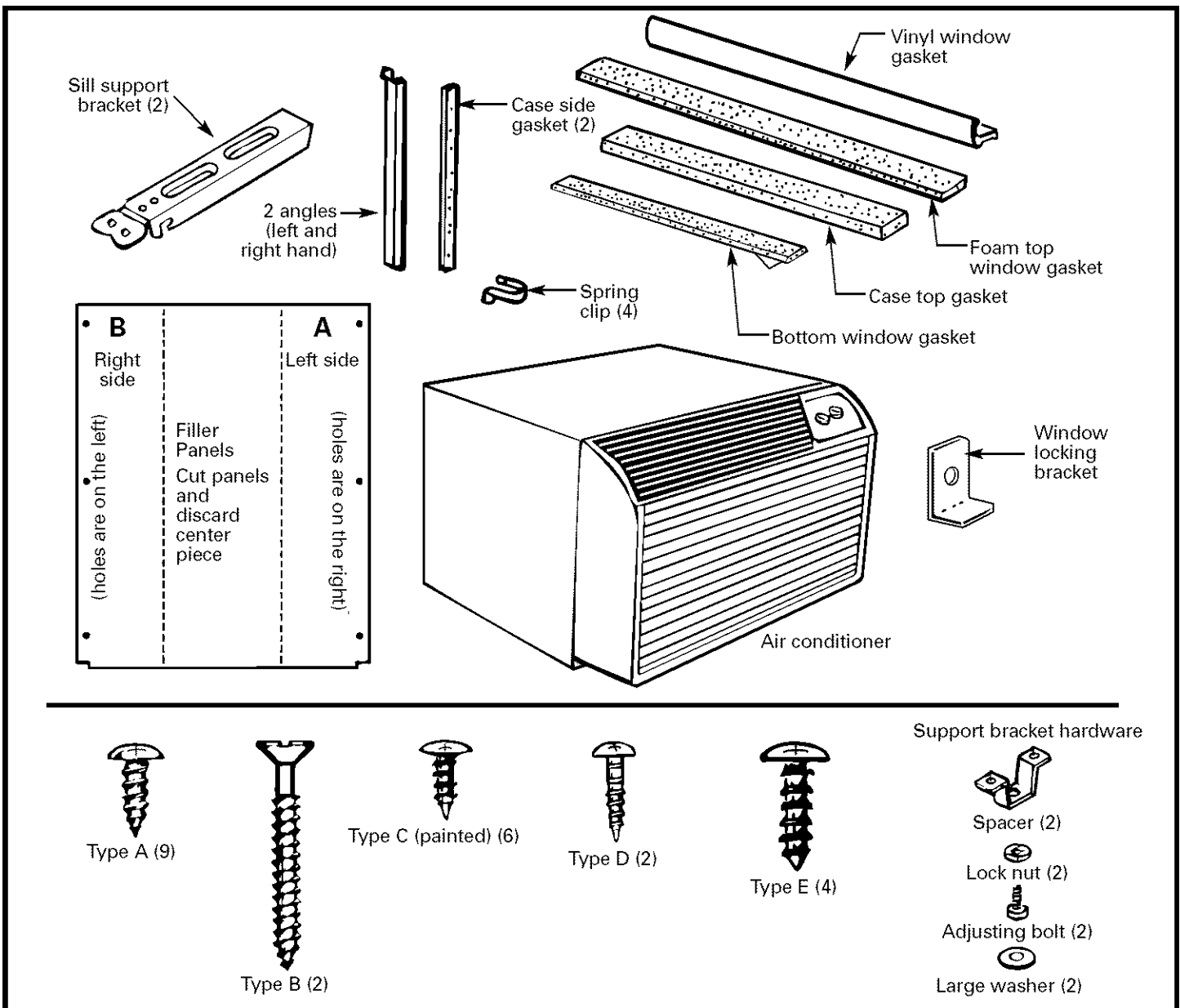


Installation Instructions

WINDOW INSTALLATION—OPTIONAL

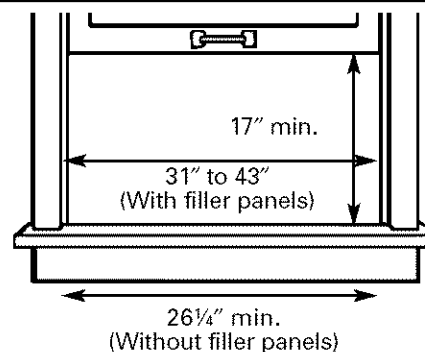
FOR MODELS AJES06LSC, AJES08ASC, AJES10DSC and AJHS08ASC

Read these instructions completely and carefully.



1 WINDOW REQUIREMENTS

- These instructions are for a standard double-hung window. You will need to modify them for other types of windows.
- The air conditioner can be installed without the accordion panels if needed to fit in a narrow window. See the window opening dimensions to the right.
- All supporting parts must be secured to firm wood, masonry or metal.
- The electrical outlet must be within reach of the power cord.

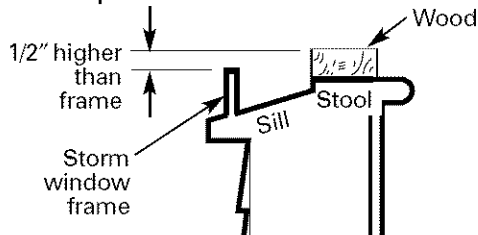


Window opening dimensions are for a standard double-hung window.

Installation Instructions

2 STORM WINDOW REQUIREMENTS

A storm window frame will not allow the air conditioner to tilt towards the outside and will keep it from draining properly. To adjust for this, attach a piece of wood to the stool.



WOOD PIECES:

WIDTH: 2"

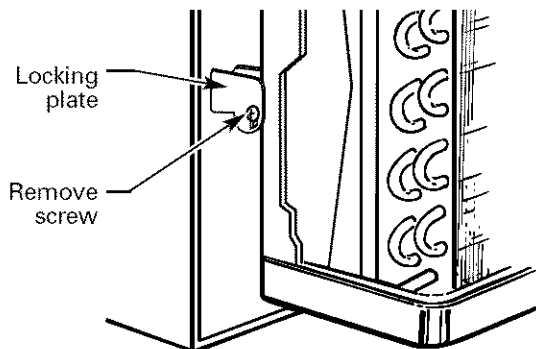
LENGTH: Long enough to fit inside the window frame.

THICKNESS: To determine the thickness, place a piece of wood on the stool to make it 1/2" higher than the top of the storm window frame.

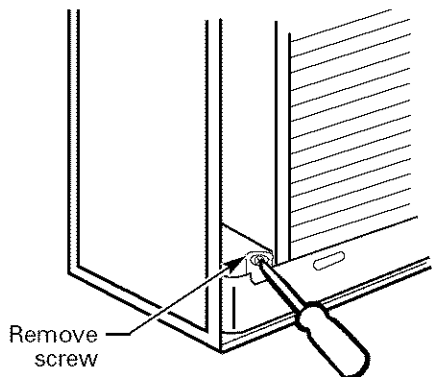
Attach securely with nails or screws provided by the installer.

3 REMOVE AIR CONDITIONER FROM CASE

- A** Remove the front grille. See the Care and Cleaning section.
- B** Find the locking plate located on the front left side.
- C** Remove the screw and the locking plate to unlock the air conditioner.

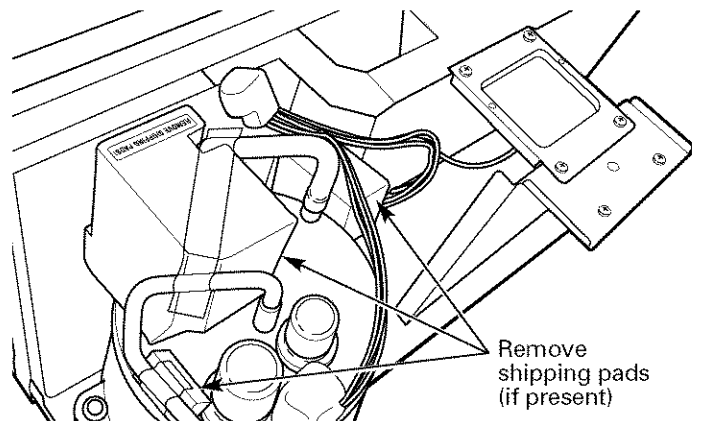


- D** Remove and discard the shipping screw on the back of the air conditioner to allow removal of the air conditioner from the case.



- E** Pull the bottom corners of the air conditioner and slide it out of the case.

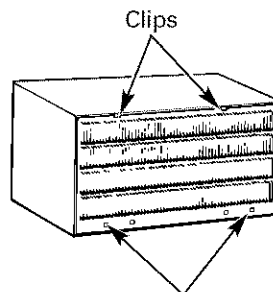
- F** Remove all shipping pads (if present) inside the air conditioner next to the compressor.



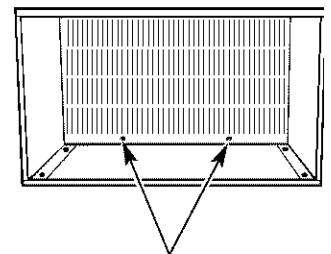
- G** Remove the rear grille that is taped to the back of the case. Remove the packet of screws taped to the back of the grille. While holding the grille at a 45° angle, insert it into the clips at the top of the case and push the bottom in. Keep slight upward pressure on the grille until it fits flush with the bottom of the case.

If attaching the grille from the outside of the case use the 2 long screws.

If attaching the grille on the inside of the case use the 2 short screws.



Insert the 2 long screws on the outside



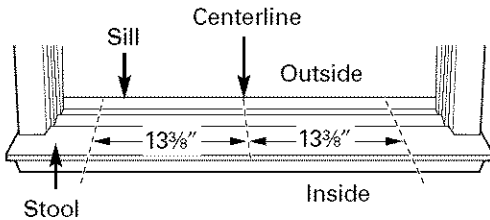
Insert the 2 short screws on the inside

Installation Instructions

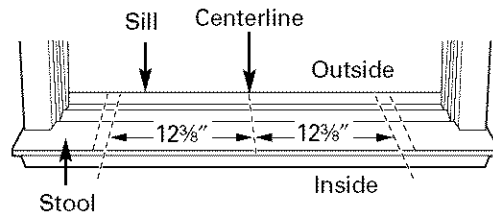
WINDOW INSTALLATION—OPTIONAL (cont.)

4 PREPARE WINDOW

A Mark the centerline of the stool. Measure from the centerline $13\frac{3}{8}$ " on both sides for the panel cuts.

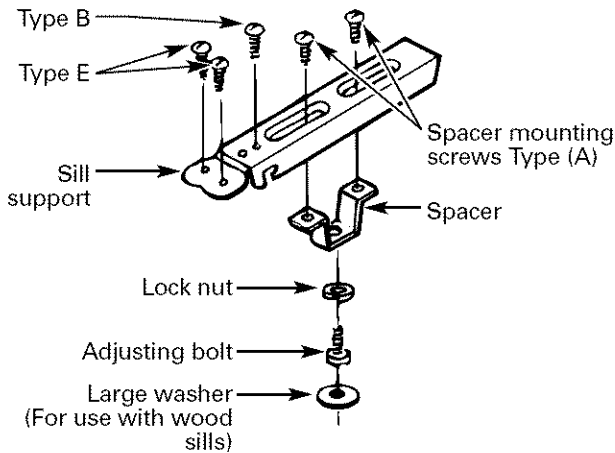


B Measure $12\frac{3}{8}$ " from the centerline on both sides for the sill support brackets.

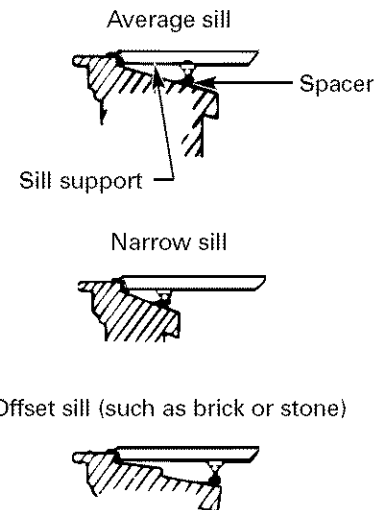


5 INSTALL SILL SUPPORTS

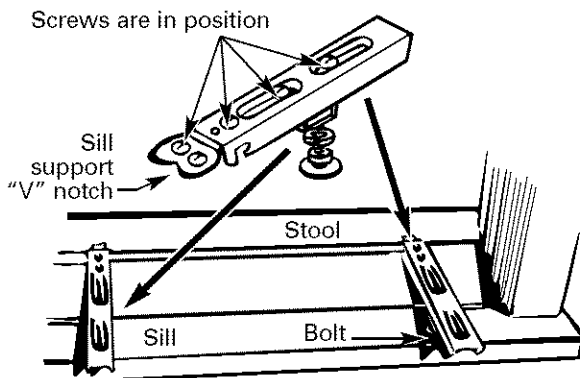
A Assemble the sill supports. Do not fully tighten the spacer mounting screws at this time.



C Turn the bolts and tighten the lock nuts to make the sill supports level or tilt down $1/8$ " to the outside. Line up the "V" notch with $12\frac{3}{8}$ " marks. Drill pilot holes and attach the sill supports.



B Before attaching the sill supports, place them on the window stool. Select the spacer position that will place the spacer near the outermost point on the sill. Tighten the spacer mounting screws.



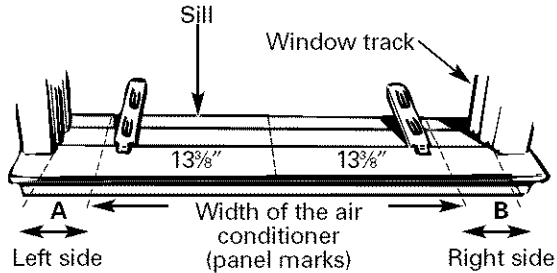
NOTES:

- On narrow sills, there may not be enough room to use the lock nut.
- A deep offset sill may require a longer adjusting bolt than the standard hex head bolt provided.
- On wood sills use the large washer between the bolt head and the sill. This prevents the bolt from digging into the wood.

Installation Instructions

6 MEASURE, CUT AND INSTALL FILLER PANELS

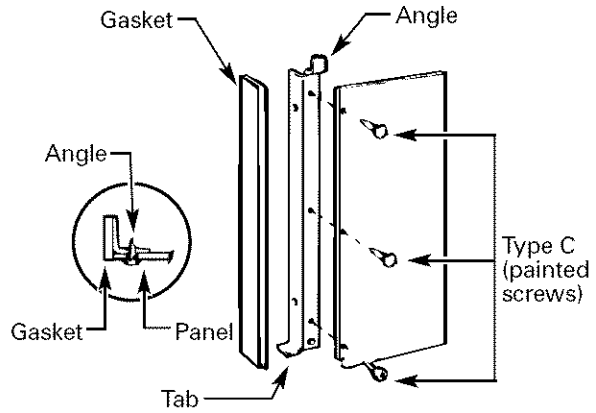
- A** Measure from the edge of the panel marks (see Prepare the Window) to the **inside of the window track** on each side. (**A and B**)



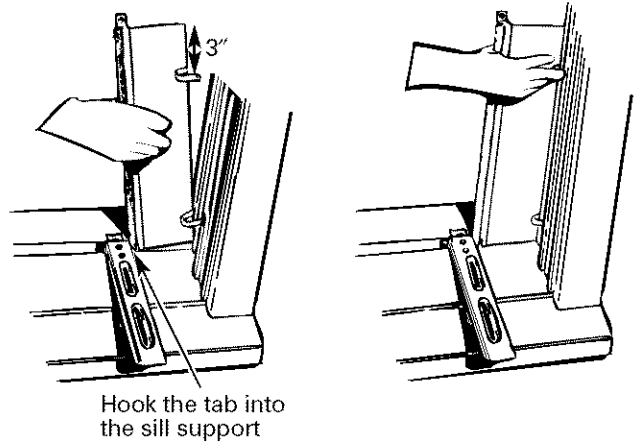
- B** Mark the **A** and **B** measurements on each side of the filler panel board. Cut the panels and discard the center piece. Note position of the notches.

• B		• A
Right side		Left side
• (holes are on the left)	Filler Panels Cut panels and discard center piece	• (holes are on the right)

- C** Put together the panel assemblies. Remove the paper backing from the case side gasket and attach it to the angle. Push a pencil point through the gaskets to locate the holes in the angles.



- D** Install the panels in the window. Place the spring clips 3" from the top and the bottom. Squeeze and push the clips to fit in the window track and the tab into the sill support.



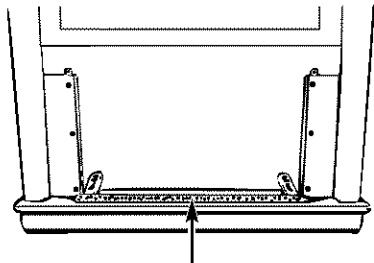
Hook the tab into the sill support

Installation Instructions

WINDOW INSTALLATION—OPTIONAL (cont.)

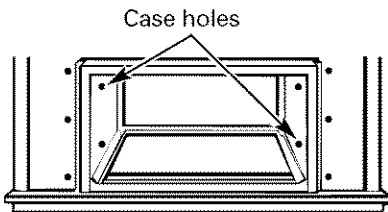
7 INSTALL CASE IN WINDOW

- A** Peel off the backing from the bottom window gasket.
- B** Place the gasket on the stool and over the brackets, even with the rear edge, sticky side down.



Bottom window gasket

- C** Carefully slide the empty case into the window until the holes in the case line up with the holes in the panel angles.

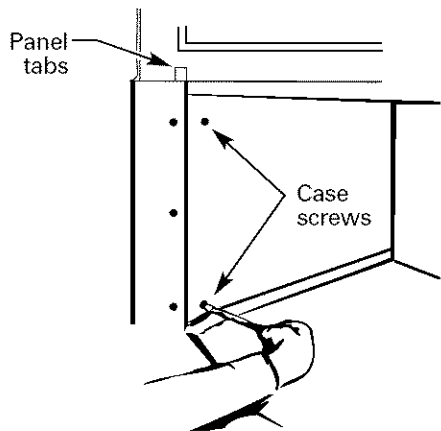


Case holes

NOTES:

- The case should have a 1/8" minimum tilt toward the outside.
- Be sure the seal gasket and panel gaskets remain in position and do not roll with the case.

- D** Lower the window so it fits behind the panel tabs. Insert the 4 type A screws through the holes in the case and into the panel angles, 2 on each side.

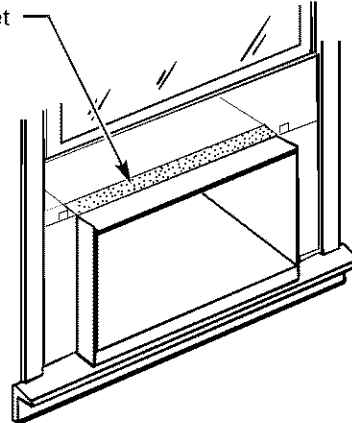


Panel tabs

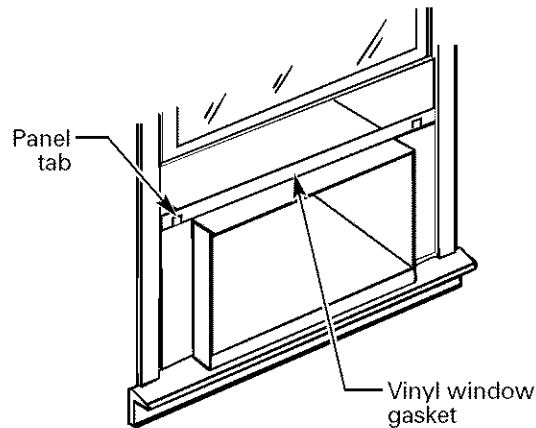
Case screws

- E** With the window closed, mark where the window sash meets the case.
- F** Peel off the backing from the case top gasket.
- G** Hold on to the case, open the window, and place the gasket along the mark on the case.

Put the gasket on top of the case where the window will close.



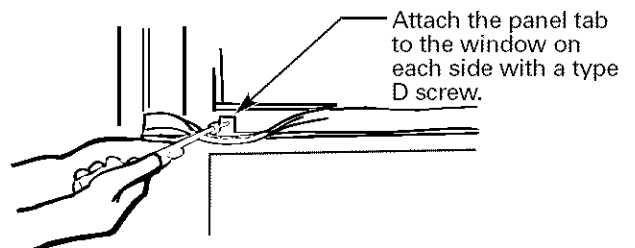
- H** Place the vinyl window gasket over the case top gasket. Insert the panel tabs through the slits in the gasket. Cut the gasket on each side to the width of the window.



Panel tab

Vinyl window gasket

- I** Close the window tightly on the vinyl gasket. Bend the gasket forward to expose the panel tabs. Drill pilot holes into the window sash.



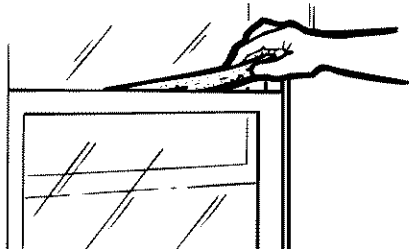
Attach the panel tab to the window on each side with a type D screw.

Installation Instructions

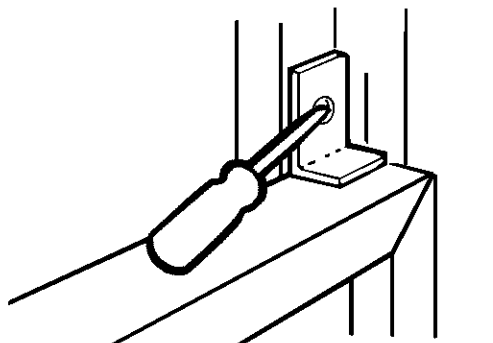
8 INSTALL WINDOW GASKET AND LOCKING BRACKET

A Cut the foam top window gasket to the window width.

B Stuff the foam between the glass and the window to prevent air and insects from getting into the room.

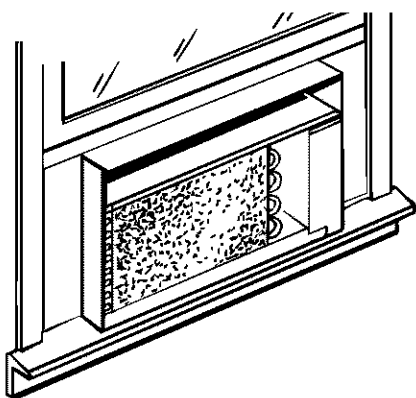


C Attach the window locking bracket with 1 type E screw.

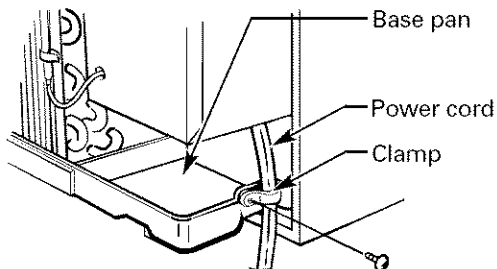


9 REPLACE AIR CONDITIONER IN CASE

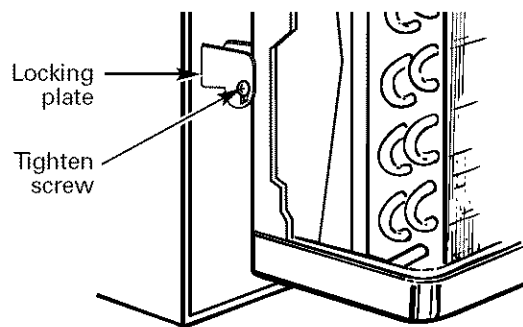
A Carefully slide the air conditioner back into the case.



B Attach the power cord to the base pan with the clamp.



C Reinstall the locking plate with the tab behind the wall case flange. Tighten the screw.



D Reattach the front grille. An opening for the power cord is on the bottom of the front grille.

E Fill holes and cracks with caulking provided by the installer.

Before you call for service...

Troubleshooting Tips: Save time and money! Review the chart below first and you may not need to call for service.

Problem	Possible Causes	What To Do
Air conditioner does not start	The air conditioner is unplugged.	• Make sure the air conditioner plug is pushed completely into the outlet.
	The fuse is blown/circuit breaker is tripped.	• Check the house fuse/circuit breaker box and replace the fuse or reset the breaker.
	Power failure.	• If power failure occurs, turn the air conditioner OFF . When power is restored, wait 3 minutes to restart the air conditioner to prevent tripping of the compressor overload.
Air conditioner does not cool as it should	The current interrupter device is tripped.	• Press the RESET button located on the power cord plug. • If the RESET button will not stay engaged, discontinue use of the air conditioner and contact a qualified service technician.
	Airflow is restricted.	• Make sure there are no curtains, blinds or furniture blocking the front of the air conditioner.
	The temp control may not be set correctly.	• On models with touch pads: In COOL mode, press the DECREASE ▼ pad. • On models with control knobs, turn the temperature knob to a higher number.
	The air filter is dirty.	• Clean the filter at least every 30 days. See the <i>Operating Instructions</i> section.
	The room may have been hot.	• When the air conditioner is first turned on, you need to allow time for the room to cool down.
	Cold air is escaping.	• Check for open furnace registers and cold air returns. • Set the air conditioner's vent to the closed position.
Air conditioner freezing up	Cooling coils have iced up.	• See " Air conditioner freezing up " below.
	Ice blocks the airflow and stops the air conditioner from cooling the room.	• On models with control knobs, set the mode control at HIGH FAN or HIGH COOL with the temp at WARMER . • On models with touch pads, set the controls at HIGH FAN or HIGH COOL and set the thermostat to a higher temperature.
The remote control is not working	The batteries are inserted incorrectly.	• Check the position of the batteries. They should be inserted correctly.
	The batteries may be dead.	• Replace the batteries.
Water drips outside	Hot, humid weather.	• This is normal.
Water drips indoors	The air conditioner is not tilted to the outside.	• For proper water disposal, make sure the air conditioner slants slightly from the case front to the rear.
Water collects in base pan	Moisture removed from air and drains into base pan.	• This is normal for a short period in areas with little humidity; normal for a longer period in very humid areas.

Normal Operating Sounds

- You may hear a pinging noise caused by water being picked up and thrown against the condenser on rainy days or when the humidity is high. This design feature helps remove moisture and improve efficiency.
- You may hear the thermostat click when the compressor cycles on and off.
- Water will collect in the base pan during high humidity or on rainy days. The water may overflow and drip from the outdoor side of the unit.
- The fan may run even when the compressor does not.

Air Conditioner Warranty.



All warranty service provided by our Factory Service Centers, or an authorized Customer Care® technician. To schedule service, on-line, 24 hours a day, visit us at ge.com, or call 800.GE.CARES (800.432.2737). For service in Canada, call 1.800.361.3400. Please have serial number and model number available when calling for service.

Staple your receipt here.
Proof of the original purchase date is needed to obtain service under the warranty.

For The Period Of:	GE Will Replace:
One Year From the date of the original purchase	Any part of the air conditioner which fails due to a defect in materials or workmanship. During this limited one-year warranty , GE will also provide, free of charge , all labor and related service to replace the defective part.
Five Years From the date of the original purchase	Any part of the sealed refrigerating system (the compressor, condenser, evaporator and all connecting tubing) which fails due to a defect in materials or workmanship. During this four-year limited additional warranty , GE will also provide, free of charge , all labor and related service to replace the defective part.

What GE Will Not Cover:

- Service trips to your home to teach you how to use the product.
- Replacement of house fuses or resetting of circuit breakers.
- Improper installation, delivery or maintenance. If you have an installation problem, or if the air conditioner is of improper cooling capacity for the intended use, contact your dealer or installer. You are responsible for providing adequate electrical connecting facilities.
- Failure due to corrosion on models not corrosion-protected.
- Failure of the product resulting from modifications to the product or due to unreasonable use including failure to provide reasonable and necessary maintenance.
- Damage to the product caused by improper power supply voltage, accident, fire, floods or acts of God.
- In commercial locations labor necessary to move the unit to a location where it is accessible for service by an individual technician.
- Incidental or consequential damage caused by possible defects with this air conditioner.
- Damage caused after delivery.
- Product not accessible to provide required service.

EXCLUSION OF IMPLIED WARRANTIES—Your sole and exclusive remedy is product repair as provided in this Limited Warranty. Any implied warranties, including the implied warranties of merchantability or fitness for a particular purpose, are limited to one year or the shortest period allowed by law.

This warranty is extended to the original purchaser and any succeeding owner for products purchased for home use within the USA and Canada. If the product is located in an area where service by a GE Authorized Servicer is not available, you may be responsible for a trip charge or you may be required to bring the product to an Authorized GE Service location for service. In Alaska, the warranty excludes the cost of shipping or service calls to your home.

Some states do not allow the exclusion or limitation of incidental or consequential damages. This warranty gives you specific legal rights, and you may also have other rights which vary from state to state. To know what your legal rights are, consult your local or state consumer affairs office or your state's Attorney General.

Safety Instructions

Operating Instructions

Care and Cleaning

Installation Instructions

Troubleshooting Tips

Consumer Support

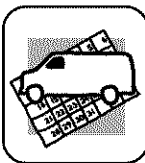
Consumer Support.



GE Appliances Website

ge.com

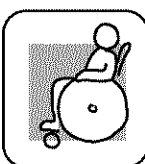
Have a question or need assistance with your appliance? Try the GE Appliances Website 24 hours a day, any day of the year! For greater convenience and faster service, you can now download Owner's Manuals, order parts or even schedule service on-line.



Schedule Service

ge.com

Expert GE repair service is only one step away from your door. Get on-line and schedule your service at your convenience 24 hours any day of the year! Or call 800.GE.CARES (800.432.2737) during normal business hours.



Real Life Design Studio

ge.com

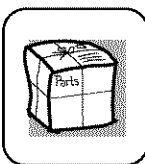
GE supports the Universal Design concept—products, services and environments that can be used by people of all ages, sizes and capabilities. We recognize the need to design for a wide range of physical and mental abilities and impairments. For details of GE's Universal Design applications, including kitchen design ideas for people with disabilities, check out our Website today. For the hearing impaired, please call 800.TDD.GEAC (800.833.4322).



Extended Warranties

ge.com

Purchase a GE extended warranty and learn about special discounts that are available while your warranty is still in effect. You can purchase it on-line anytime, or call 800.626.2224 during normal business hours. GE Consumer Home Services will still be there after your warranty expires.



Parts and Accessories

ge.com

Individuals qualified to service their own appliances can have parts or accessories sent directly to their homes (VISA, MasterCard and Discover cards are accepted). Order on-line today, 24 hours every day or by phone at 800.626.2002 during normal business hours.

Instructions contained in this manual cover procedures to be performed by any user. Other servicing generally should be referred to qualified service personnel. Caution must be exercised, since improper servicing may cause unsafe operation.



Contact Us

ge.com

If you are not satisfied with the service you receive from GE, contact us on our Website with all the details including your phone number, or write to: General Manager, Customer Relations
GE Appliances, Appliance Park
Louisville, KY 40225



Register Your Appliance

ge.com

Register your new appliance on-line—at your convenience! Timely product registration will allow for enhanced communication and prompt service under the terms of your warranty, should the need arise. You may also mail in the pre-printed registration card included in the packing material.



Conditionneur d'air

Instructions de sécurité 2, 3

Instructions de fonctionnement

Réglages—Boutons de réglage 7, 8

Réglages—Touches à effleurement 4-6

Entretien et nettoyage

Filtre à air 10

Grille frontale 9

Grille et boîtier 9

Serpentins extérieurs 9

Instructions de montage

Avant de commencer 11, 12

Installation d'un modèle « J » dans un logement mural existant 13

Installation à travers le mur—Facultatif 14

Installation de fenêtre—en option sur les modèles qui comportent ce matériel 15-20

En cas de panne

Avant d'appeler le service 21

Bruits normaux de fonctionnement 21

Soutien au consommateur

Garantie 23

Soutien au consommateur Couverture arrière

*Produit avec l'étiquette ENERGY STAR®



En qualité de partenaire ENERGY STAR®, GE a trouvé que ce produit rencontre les directives d'ENERGY STAR® en matière d'efficacité énergétique.

Transcrivez les numéros de modèle et de série ici :

de modèle _____

de série _____

Trouvez ces numéros sur une étiquette placée derrière la carrosserie côté chambre, sur le plateau.

Manuel d'utilisation et instructions d'installation

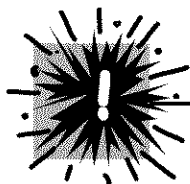
<i>Rafrâchissement uniquement</i>	AJCH 08, 10	ACC*
	AJCH 10, 12	DCC*
	AJCQ 06	LCC*
	AJCQ 08, 10, 12	ACC*
	AJCQ 10, 12	DCC*
	AJCS 06	LCC*
<i>Réchauffement/ rafrâchissement</i>	AJCS 08, 10	ACC*
	AJCS 09, 10, 12	DCC*
	AJEH 12	DCC
	AJES 06	LSC
<i>Pompe à chaleur</i>	AJES 08	ASC
	AJES 09, 10, 12	DCC
	AJES 10	DSC
	AJHS 08	ASC*
	AJHS 08, 10	DCC*



RENSEIGNEMENTS IMPORTANTS EN MATIÈRE DE SÉCURITÉ. LISEZ TOUTES LES INSTRUCTIONS AVANT USAGE.

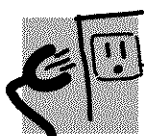
⚠ AVERTISSEMENT!

Pour votre sécurité, vous devez suivre les instructions de ce manuel pour réduire les risques d'incendie, de secousse électrique et de blessure.



PRÉCAUTIONS DE SÉCURITÉ

- N'utilisez cet appareil que pour son usage prévu, tel que décrit dans le Manuel de l'utilisateur.
 - Vous devez bien monter ce conditionneur, conformément aux Instructions de montage, avant de l'utiliser.
 - Ne débranchez jamais votre conditionneur en tirant sur le cordon d'alimentation. Saisissez fermement la fiche et sortez-la droit de sa prise.
 - Remplacez immédiatement tout cordon d'alimentation abîmé ou endommagé. Un cordon d'alimentation électrique endommagé ne doit pas être réparé mais plutôt remplacé par un autre cordon d'alimentation obtenu du fabricant. N'utilisez pas un cordon d'alimentation qui montre des fissures ou des signes d'abrasion sur sa longueur ou encore près de la prise ou du connecteur.
 - Mettez le contrôle de mode sur **OFF** (arrêt) et débranchez votre conditionneur avant de procéder à tout nettoyage ou réparation.
- NOTE :** Nous vous recommandons instamment de faire effectuer tout service par un technicien qualifié.
- Pour votre sécurité... ne rangez jamais ou n'utilisez jamais des matériaux combustibles, de l'essence ou d'autres vapeurs ou liquides inflammables à proximité de cet appareil ou de tout autre appareil électroménager.
 - Tous les conditionneurs contiennent des fluides frigorigènes qui, en vertu de la loi fédérale, doivent être retirés avant la mise au rebut de l'appareil. Si vous vous débarrassez d'un vieil appareil contenant des fluides frigorigènes, renseignez-vous sur la façon de faire auprès de l'entreprise qui s'occupe de la mise au rebut.



ALIMENTATION DE L'APPAREIL

Ne coupez ou n'enlevez jamais la broche de mise à la terre (la troisième broche de la fiche) du cordon d'alimentation. Pour votre sécurité personnelle, cet appareil doit être bien mis à la terre.

Le cordon d'alimentation de cet appareil est muni d'une fiche triphasée (mise à la terre) qui correspond à une prise murale normale triphasée, pour réduire le danger de secousse électrique.

Le cordon d'alimentation peut comprendre un mécanisme d'interruption de courant. Un bouton d'essai et de remise en marche est fourni sur le boîtier de la prise. Vous devez essayer le mécanisme périodiquement en appuyant d'abord sur le bouton **TEST** (essai) puis sur le bouton **RESET** (remise en marche). Si le bouton **TEST** (essai) ne bascule pas ou si le bouton **RESET** (remise en marche) ne reste pas enfoncé, cessez d'utiliser votre conditionneur d'air et appelez un technicien de service qualifié.

Faites vérifier la prise murale et le circuit électrique par un électricien qualifié pour vous assurer que la prise est bien à la terre.

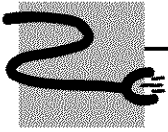
Si vous avez une prise biphasée, vous êtes personnellement responsable et obligé de la faire remplacer par une prise murale triphasée bien mise à la terre.

Vous devez toujours brancher le conditionneur dans sa propre prise électrique, d'un voltage qui correspond à la plaque signalétique.

Cela vous permettra d'obtenir le meilleur rendement et empêchera la surcharge des circuits électriques de la maison, qui risque d'occasionner un danger d'incendie.

Consultez les Instructions de montage, section des *Exigences électriques*, pour les exigences de branchements électriques particuliers.

⚠ AVERTISSEMENT!



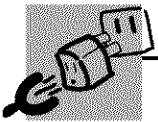
UTILISATION DE RALLONGES—modèles de 115 volts uniquement

À cause du danger qu'elles font courir dans certaines conditions, nous vous recommandons instamment de ne pas utiliser de rallonge.

Cependant, si vous devez utiliser une rallonge, il faut absolument qu'elle soit homologuée ACNOR, calibre 14, triphasée à trois fils pour appareil électroménager, munie d'une fiche et d'une prise avec mise à la terre et que sa capacité électrique soit de 15 ampères (minimum) et 125 volts.

⚠ ATTENTION :

N'UTILISEZ JAMAIS de rallonge avec un modèle de 230/208 volts.



UTILISATION DE FICHES D'ADAPTATION—modèles de 115 volts uniquement

(Les fiches d'adaptation sont interdites au Canada)

À cause du danger qu'elles font courir dans certaines conditions, nous sommes absolument opposés à l'utilisation d'une fiche d'adaptation.

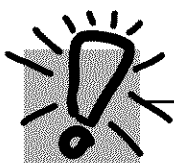
Cependant, si vous devez utiliser une fiche d'adaptation, quand les codes locaux le permettent, vous pouvez établir un **contact temporaire** avec une prise murale biphasée bien mise à la terre, en utilisant une fiche d'adaptation homologuée UL en vente dans un grand nombre de quincailleries.

La fente la plus grande de l'adaptateur doit être alignée à la plus grande fente de la prise murale pour obtenir une bonne polarité avec le cordon d'alimentation.

Quand vous débranchez le cordon d'alimentation de l'adaptateur, tenez l'adaptateur en place en tirant la fiche du cordon d'alimentation avec votre autre main. Si vous ne le faites pas, vous casserez probablement la broche de mise à la terre de l'adaptateur.

Si la broche de mise à la terre de l'adaptateur est cassée, **N'UTILISEZ PAS** le conditionneur avant de bien le remettre à la terre.

Si vous fixez la broche de mise à la terre de l'adaptateur à une vis du couvercle de la prise murale, cela ne met pas à la terre l'appareil, à moins que la vis soit en métal et pas isolée et que la prise murale soit mise à la terre par l'intermédiaire du câblage de la maison. Vous devez faire vérifier le circuit par un électricien qualifié pour vous assurer que la prise est bien mise à la terre.



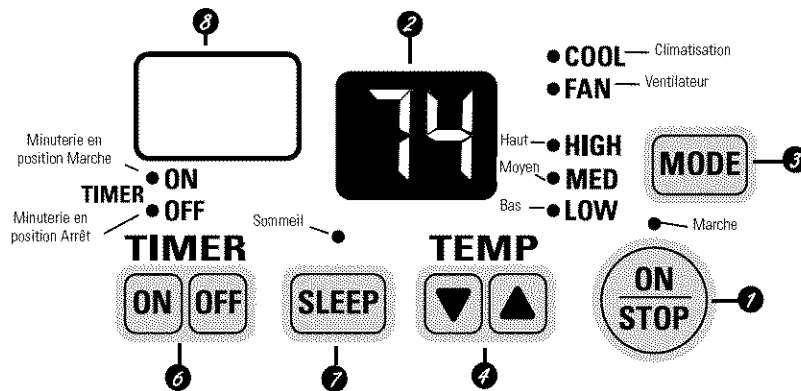
LISEZ ET SUIVEZ SCRUPULEUSEMENT CES INFORMATIONS DE SÉCURITÉ.

CONSERVEZ CES INSTRUCTIONS

Commandes sur le conditionneur— modèles dotés de touches à effleurement.

www.electromenagersge.ca

L'aspect peut varier.



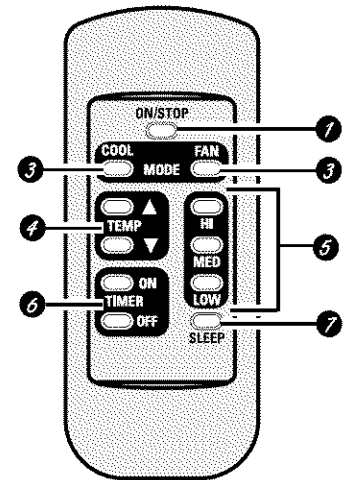
Commandes du conditionneur

Les témoins lumineux à côté des touches à effleurement sur le tableau de commande du conditionneur indiquent les réglages sélectionnés.



Commandes

- 1 ON/STOP (MARCHE/ARRÊT)**
Met le conditionneur en position de marche ou d'arrêt.
- 2 Display (Affichage)**
- 3 MODE**
Sur la télécommande, utilisez cette fonction pour régler le conditionneur au mode **COOL** ou **FAN**.
Sur les commandes du conditionneur, utilisez cette fonction pour régler le mode **COOL** ou **FAN** à la vitesse de ventilateur **HIGH**, **MED** ou **LOW**.
Les témoins lumineux sur les commandes du conditionneur indiquent le mode et la vitesse du ventilateur sélectionnés.
- 4 TEMP Increase ▲ /Decrease ▼ Pads (Touches d'augmentation/Diminution de la température)**
Utilisez cette fonction pour régler la température lorsque l'appareil est en mode **COOL**.
- 5 Vitesses du ventilateur (FAN) (Télécommande seulement)**
Utilisez cette fonction pour régler la vitesse du ventilateur à **LOW**, **MED** ou **HIGH**.
- 6 Minuterie (TIMER)**
ON—Lorsque le conditionneur est en position d'arrêt, il peut être réglé pour démarrer automatiquement dans un délai d'une demi heure à 24 heures à son réglage précédent. Chaque effleurement augmente la durée d'une demi heure jusqu'à 10, puis d'une heure jusqu'à 24.



Télécommande

Lorsque le conditionneur est allumé, il démarre automatiquement avec les réglages précédemment utilisés.

Pour annuler la minuterie en position Marche (ON TIMER), appuyez encore sur la touche **ON (Marche)**.

OFF (arrêt)—Quand le conditionneur est en marche, vous pouvez le régler de manière à ce qu'il s'arrête automatiquement au bout d'une durée d'une demi heure à 24 heures. Chaque effleurement augmente la durée d'une demi heure jusqu'à 10, puis d'une heure jusqu'à 24.

Pour annuler la minuterie en position Arrêt, appuyez encore sur la touche **OFF (Arrêt)**.

Pour annuler la minuterie, appuyez sur les touches **ON** ou **OFF** jusqu'à ce que le délai disparaisse de l'affichage.

- 7 Sommeil (SLEEP)**
Pressez cette touche pour faire fonctionner le conditionneur pendant 8 heures avant qu'il retourne au réglage précédent automatiquement.

Lorsque la minuterie de sommeil est réglée, la température sélectionnée augmentera automatiquement de 2°F (1°C) après la deuxième heure, puis de 1°F (0,5°C) par heure pour les deux heures suivantes.

Pour annuler le mode de sommeil, enfoncez la touche **MODE** ou la touche **SLEEP** une deuxième fois.

- 8 Récepteur de signaux de la télécommande**

Télécommande

- Pour vous assurer d'un fonctionnement adéquat, pointez la télécommande sur le récepteur de signal du conditionneur.
- Le rayon d'action du signal de la télécommande s'étend jusqu'à 21 pieds (6,4 m).
- Assurez-vous qu'aucun obstacle pouvant bloquer le signal ne se trouve entre le conditionneur et la télécommande.
- Assurez-vous que les piles sont récentes et installées correctement—voir la section *Entretien et nettoyage*.

MODE CLIMATISATION (COOL)

Télécommande

1. Appuyez sur la touche **COOL**.
2. Appuyez sur les touches **LOW**, **MED** ou **HI** pour régler la vitesse de ventilateur voulue.
3. Appuyez sur les touches **INCREASE ▲** / **DECREASE ▼** pour régler la température voulue entre 60°F (16°C) et 85°F (30°C) par incréments de 1°F (0,5°C).

Tableau de commande

1. Appuyez sur la touche **MODE** jusqu'à ce que le témoin lumineux de la fonction **COOL** soit allumé, et jusqu'à ce que le témoin lumineux de la vitesse de ventilateur voulue (**LOW**, **MED** ou **HI**) soit aussi allumé.
2. Appuyez sur les touches **INCREASE ▲** / **DECREASE ▼** pour régler la température voulue entre 60°F (16°C) et 85°F (30°C) par incréments de 1°F (0,5°C).

Un thermostat est utilisé pour maintenir la température ambiante. Le compresseur effectuera un cycle marche-arrêt pour garder la température ambiante au niveau de confort choisi. Réglez le thermostat à une valeur plus basse et l'air

intérieur se refroidira. Réglez le thermostat à une valeur plus élevée et l'air intérieur se réchauffera.

REMARQUE : Si le conditionneur en position d'arrêt est mis en position de marche alors qu'il est réglé à **COOL**, il faudra environ 3 minutes pour démarrer le compresseur et amorcer un refroidissement.

Instructions concernant la climatisation

Pour un refroidissement normal—Sélectionnez le mode **COOL** et la vitesse de ventilateur **HIGH** ou **MED** avec un réglage de température moyen.

Pour un refroidissement maximal—Sélectionnez le mode **COOL** et la vitesse de ventilateur **HIGH** avec un réglage de température plus bas.

Pour un refroidissement plus silencieux ou durant la nuit—Sélectionnez le mode **COOL** et la vitesse de ventilateur **LOW** avec un réglage de température moyen.

REMARQUE : Si vous passez du mode **COOL** au mode **FAN** ou à la position **OFF**, attendez au moins 3 minutes avant de revenir au mode **COOL**.

Interrupteur du ventilateur

L'interrupteur du ventilateur est situé derrière la grille frontale sur la boîte de commande. Vous pouvez y avoir accès en passant par le trou située dans la boîte de commande.

Lorsqu'il est réglé à **CYCLE** (vers le bas), le ventilateur effectue des cycles marche-arrêt.

Lorsqu'il est réglé à **CONT** (fonctionnement continu, vers le haut), le ventilateur fonctionne en permanence pour procurer une température plus stable. L'appareil est livré avec le réglage à **CONT**.

MODE VENTILATEUR (FAN)

Utilisez le mode **FAN** pour filtrer et faire circuler l'air sans refroidissement. Étant donné qu'un réglage en mode ventilateur seulement n'entraîne pas de refroidissement, le réglage de température ne sera pas affiché.

Télécommande

Appuyez sur la touche **FAN**. Appuyez sur les touches **LOW**, **MED** ou **HI** pour régler le ventilateur à la vitesse désirée.

Tableau de commande

Appuyez sur la touche **MODE** jusqu'à ce que le témoin lumineux **FAN** soit allumé et jusqu'à ce que le témoin lumineux **LOW**, **MED** ou **HI** correspondant à la vitesse voulue soit aussi allumé.

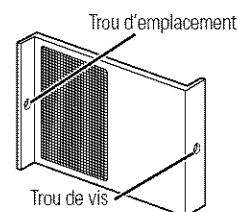
Commande d'évent

La commande d'évent est située derrière la grille frontale sur le côté droit de la zone d'évacuation d'air. Lorsque cette commande est réglée à **CLOSE**, seul l'air à l'intérieur de la pièce est climatisé et mis en circulation. Lorsqu'elle est réglée à **OPEN**, une partie de l'air intérieur est évacué à l'extérieur.

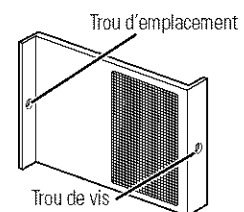
Pour ouvrir ou fermer l'évent :

1. Retirer la grille frontale.
2. Enlevez la vis de la carte d'évent.
3. Enlevez la carte d'évent, retournez-la et remplacez-la en trouvant le trou arrière dans la carte sur le taquet d'emplacement à l'intérieur de la décharge d'air et en rattachant la vis à l'avant.

L'appareil quitte l'usine en position fermée.



Position OUVVERTE (extrémité de la maille vers l'arrière)

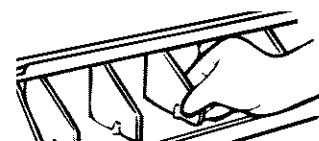


Position FERMÉE (extrémité de la maille vers l'avant)

Direction de l'air



Des persiennes horizontales sur la grille frontale vous permettent de diriger l'air vers le haut ou le bas.



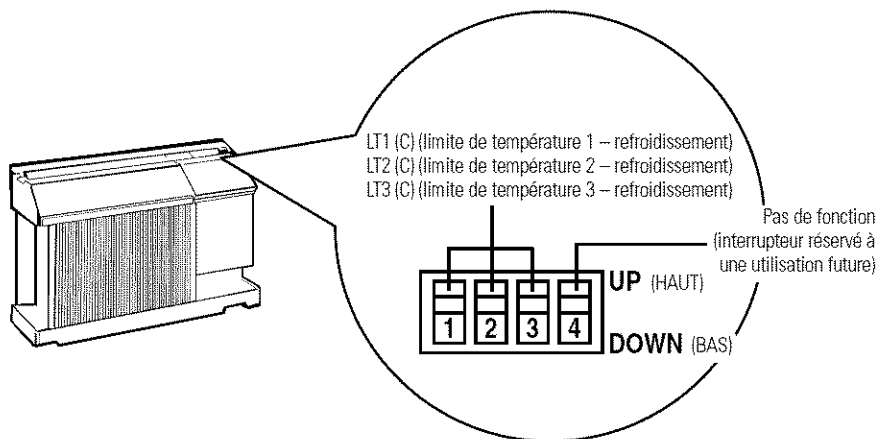
Retirez la grille frontale pour régler les persiennes verticales de façon à diriger l'air vers la gauche ou la droite.

Commandes sur le conditionneur— modèles dotés de touches à effleurement.

Commandes auxiliaires—Limitation de température

Pour atteindre les commandes auxiliaires, enlevez la grille frontale. Vous pouvez y avoir accès en passant par la petite ouverture rectangulaire située au-dessus du panneau de commande.

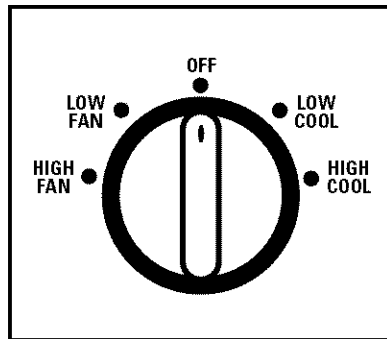
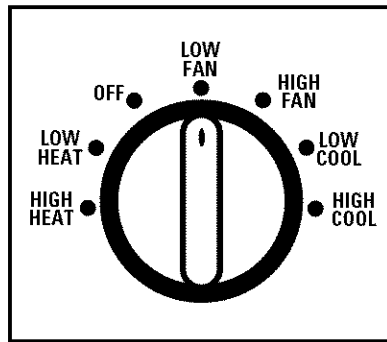
La limitation de température peut réduire les coûts d'énergie en limitant la plus basse température que l'on peut régler pour refroidir. La limitation de température est contrôlée par les interrupteurs 1–3 des commandes auxiliaires.



Limitation de température pendant le COOL (refroidissement) (toutes les températures sont montrées en °F)			
HAUT	BAS	Minimum	Maximum
AUCUN	1, 2, 3	60°	85°
1	2, 3	64°	85°
1, 2	3	66°	85°
2	1, 3	68°	85°
2,3	1	70°	85°
1, 2, 3	AUCUN	72°	85°
1, 3	2	74°	85°
3	1, 2	76°	85°

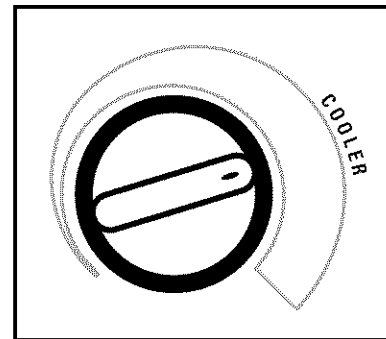
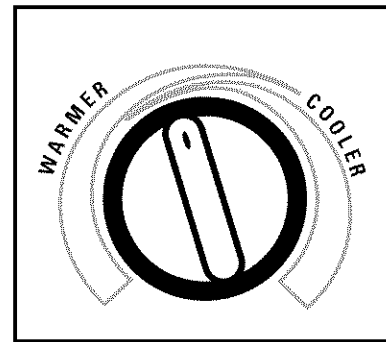
Commandes situées sur le conditionneur— modèles dotés de boutons de réglage.

www.electromenagersge.ca



COMMANDE DU MODE

1



COMMANDE DE LA TEMPÉRATURE

2



Commandes

1 **Commande du mode**
Les fonctions **HIGH COOL** et **LOW COOL** génèrent du refroidissement à différentes vitesses de ventilateur.

Les fonctions **HIGH HEAT** et **LOW HEAT** génèrent du chauffage à différentes vitesses de ventilateur.

Les fonctions **LOW FAN** et **HIGH FAN** génèrent le filtrage et la circulation d'air sans refroidissement ou chauffage, à différentes vitesses de ventilateur.

REMARQUE : Si vous passez d'un réglage de refroidissement ou de chauffage à un réglage de ventilateur ou à la position d'arrêt, attendez au moins 3 minutes avant de revenir à un réglage de refroidissement ou de chauffage. Un délai de 3 minutes est automatiquement accordé sur les modèles avec chauffage/refroidissement et avec pompe à chaleur.

Instructions concernant le refroidissement/chauffage

Pour un refroidissement ou chauffage normal— Sélectionnez **HIGH COOL** ou **HIGH HEAT** en plaçant le thermostat au milieu de sa trajectoire.

Pour un refroidissement maximal—Sélectionnez **HIGH COOL** et placez le thermostat sur la position de refroidissement maximal.

Pour un chauffage maximal—Sélectionnez **HIGH HEAT** et placez le thermostat sur la position de chauffage maximal.

Pour un refroidissement plus silencieux ou durant la nuit—Sélectionnez **LOW COOL** en plaçant le thermostat au milieu de sa trajectoire.

2 **Commande de la température**
La commande de la température est utilisée pour maintenir la température ambiante. Le compresseur effectuera des cycles marche-arrêt pour garder la température ambiante au même niveau de confort. Tournez le bouton sur la position **COOLER** (bleu) pour que l'air intérieur devienne plus froid. Tournez-le sur la position **WARMER** (rouge) pour que l'air devienne plus chaud.

Modèles avec pompe à chaleur

Lorsque la température extérieure est inférieure à 25°F (4°C), la chaleur est générée par un radiateur électrique dans le conditionneur plutôt que par la pompe à chaleur.

REMARQUE : La résistance électrique chauffante dans le modèle 115 volts avec pompe à chaleur fonctionne durant le dégivrage lorsque la température de l'échangeur extérieur descend en bas de 36°F (2°C). Elle n'est pas conçue pour chauffer la pièce en entier.

Instructions de sécurité

Instructions de fonctionnement

Entretien et nettoyage

Instructions de montage

En cas de panne

Soutien au consommateur

Commandes situées sur le conditionneur— modèles dotés de boutons de réglage.

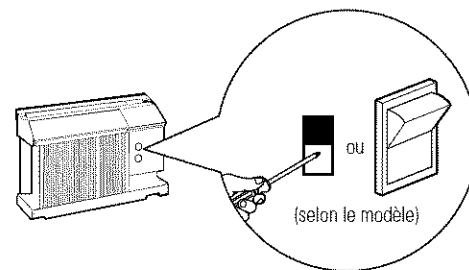
Interrupteur du ventilateur

Pour atteindre le(s) interrupteur(s) de ventilateur, enlevez la grille frontale.

Sur les modèles **HOT/COOL** (réchauffement/refroidissement) et à pompe de chaleur, le levier d'interruption du ventilateur est situé dans un trou au fond de la boîte de commande. L'interrupteur du haut est pour le réglage de refroidissement (**COOL**) et celui du bas pour le réglage de réchauffement (**HEAT**). Utilisez un petit tournevis pour changer le réglage. Le réglage est fixé à **CONT** pour **COOL** et à **CYCLE** pour **HEAT** lorsque l'appareil est livré de l'usine.

Les modèles **Cool** (refroidissement) seulement ont un interrupteur à bascule à l'avant de la boîte de commande.

Quand le ventilateur est réglé à **CYCLE** (vers le bas), il effectue des cycles marche-arrêt lors de la

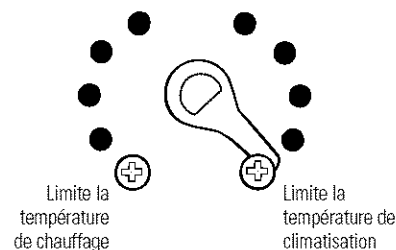


climatisation. Un réglage à **CONT** (fonctionnement continu, vers le haut) entraîne le fonctionnement ininterrompu du ventilateur, procurant ainsi une température plus stable. Le réglage est fixé à **CONT** lorsque l'appareil est livré.

Limitation de la température

La limitation des températures maximale et minimale empêche l'utilisateur de tourner le bouton de commande à des positions extrêmes.

La plage de températures se situe normalement entre 60°F (16°C) et 85°F (29°C). La plage peut être réduite par l'utilisation des vis de limitation de la température situées derrière le tableau de commande.



Chaque position équivaut approximativement à 3°F (1,5°C).

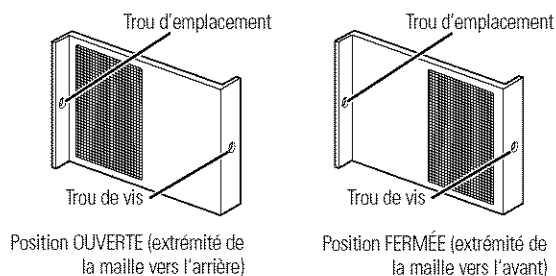
Commande d'évent

La commande d'évent est située derrière la grille frontale sur le côté droit de la zone d'évacuation d'air. Lorsque cette commande est réglée à **CLOSE**, seul l'air à l'intérieur de la pièce est climatisé et mis en circulation. Lorsqu'elle est réglée à **OPEN**, une partie de l'air intérieur est évacué à l'extérieur.

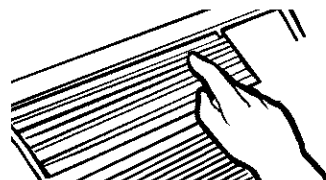
Pour ouvrir ou fermer l'évent :

1. Retirer la grille frontale.
2. Enlevez la vis de la carte d'évent.
3. Enlevez la carte d'évent, retournez-la et remplacez-la en trouvant le trou arrière dans la carte sur le taquet d'emplacement à l'intérieur de la décharge d'air et en rattachant la vis à l'avant.

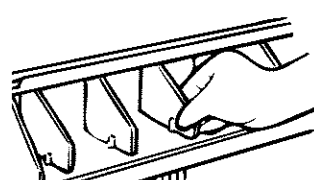
L'appareil quitte l'usine en position fermée.



Direction de la sortie d'air



Des persiennes horizontales sur la grille frontale vous permettent de diriger l'air vers le haut ou le bas.



Retirez la grille frontale pour régler les persiennes verticales de façon à diriger l'air vers la gauche ou la droite.

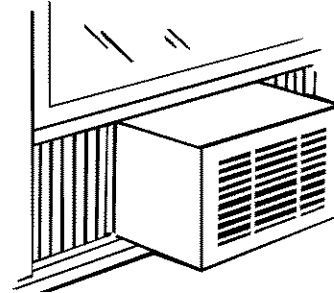
Grille et boîtier

Éteignez le conditionneur et retirez la fiche d'alimentation électrique de la prise murale avant le nettoyage. Pour nettoyer, utilisez de

l'eau et un détergent doux. N'utilisez jamais d'agent de blanchiment ou d'abrasif.

Serpentins extérieurs

Les serpentins situés du côté extérieur du conditionneur doivent être vérifiés régulièrement. S'ils sont obstrués par de la saleté ou de la suie, il est possible de les faire nettoyer à la vapeur par des professionnels en passant par votre Centre de services GE.

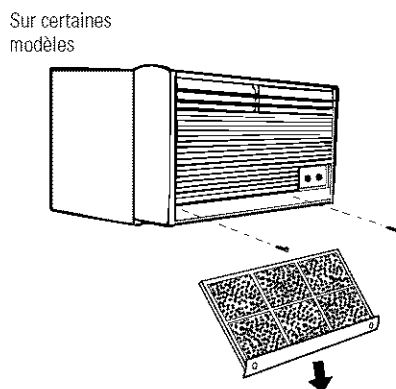
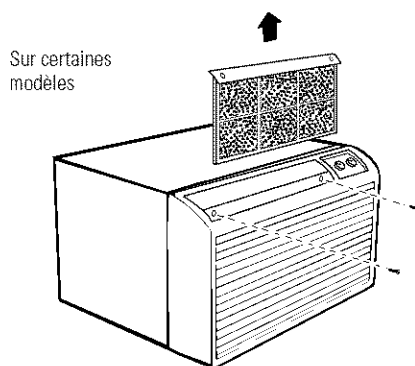


Grille frontale

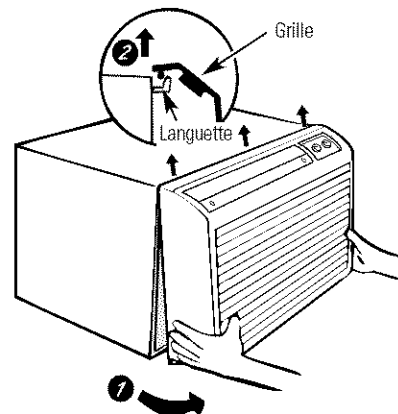
La grille frontale peut être retirée pour un nettoyage en profondeur ou pour accéder aux numéros de modèle et de série.

Pour retirer :

1. Tirez sur le filtre pour le dégager.
2. Enlevez les deux vis de la grille.



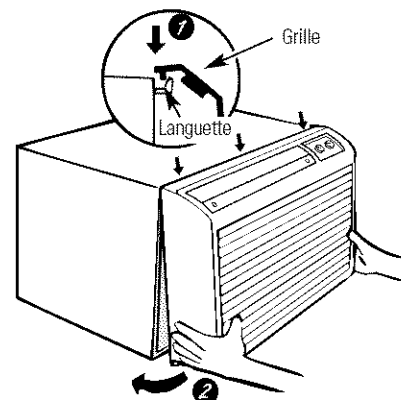
3. Dégagez la grille du bas et soulevez-la à partir des languettes situées sur le dessus du boîtier.



Pour replacer :

Placez les languettes sur la grille frontale vis-à-vis des languettes sur le devant du boîtier et mettez-les en place en exerçant une pression.

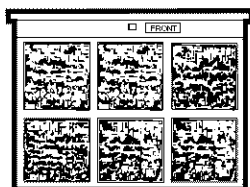
Remplacez les vis et le filtre.



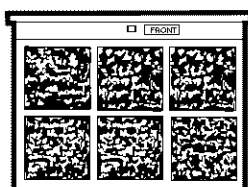
Entretien et nettoyage du conditionneur.

Pour conserver un rendement optimal, nettoyez le filtre au moins tous les 30 jours.

Filtre à air



Filtre encrassé – Requiert un nettoyage



Filtre obstrué – Réduit considérablement le climatiseur, le chauffage et la ventilation.

Éteignez le conditionneur avant le nettoyage.

La mesure la plus utile que vous pouvez prendre pour entretenir votre conditionneur est de nettoyer le filtre au moins tous les 30 jours. Un filtre obstrué réduit l'efficacité de la climatisation, du chauffage et de la ventilation.

Le nettoyage régulier du filtre à air :

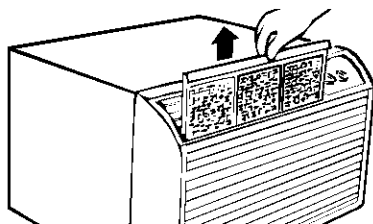
- diminue le coût de fonctionnement;
- économise l'énergie;
- prévient l'obstruction des serpentins de l'échangeur de chaleur;
- réduit le risque de défauts précoces.

Pour nettoyer le filtre à air :

- Enlevez les particules grossières avec l'aspirateur.
- Faites circuler de l'eau à travers le filtre.
- Séchez à fond avant de le remettre en place.

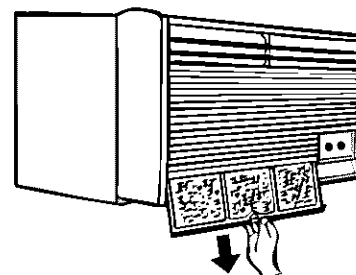
Pour retirer le filtre à air, sur certains modèles :

Tirez soigneusement la languette vers l'avant et le haut pour la dégager.



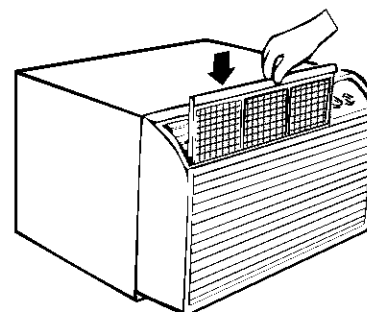
Pour retirer le filtre à air, sur certains modèles :

Tirer vers le bas.



Pour remettre le filtre à air en place :

Remplacez le filtre propre en le poussant en place.



▲ MISE EN GARDE : Ne faites pas fonctionner le conditionneur si le filtre n'est pas en place. Le filtre doit être remplacé immédiatement s'il est tordu ou endommagé.

Le fonctionnement de l'appareil avec un filtre endommagé ou mal placé permet à la saleté et la poussière d'atteindre les serpentins intérieurs et réduit le rendement de l'appareil et l'efficacité de la climatisation, du chauffage et de la ventilation.

Vous pouvez vous procurer des filtres de remplacement auprès de votre vendeur, votre revendeur GE, votre Centre de services et pièces GE ou de réparateurs Customer Care® autorisés.

Comment insérer les piles

- 1 Enlevez le couvercle du logement des piles en le faisant glisser dans le sens de la flèche.
- 2 Insérez les nouvelles piles en vous assurant que les pôles (+) et (-) des piles sont orientés dans la bonne direction.
- 3 Remettez le couvercle en le faisant glisser en place.

NOTES :

- Utilisez 2 piles « AAA » (1,5 volt). N'employez pas de piles rechargeables.
- Retirez les piles de la télécommande si vous ne prévoyez pas utiliser le système sur une longue période de temps.

Instructions de montage

Conditionneur d'air

? Questions? Composez le 1.800.361.3400 ou visitez notre site web à : www.electromenagersge.ca



AVANT DE COMMENCER

Veuillez lire toutes ces instructions attentivement.

- **IMPORTANT** — Conservez ces instructions à l'usage de l'inspecteur local.
- **IMPORTANT** — Respectez tous les codes et les ordonnances en vigueur.
- **Note au monteur** – Conservez le Manuel du propriétaire.
- **Note au consommateur** – Conservez ces instructions pour consultation ultérieure.
- **Niveau de compétence** – L'installation de cet appareil exige des compétences de base en mécanique.
- **Temps d'exécution** – Environ 1 heure
- Nous recommandons que l'installation de ce produit soit effectuée par deux personnes.
- La responsabilité de l'exactitude de l'installation incombe à l'installateur.
- La garantie ne couvre pas les défauts du produit causés par une installation inadéquate.



EXIGENCES EN MATIÈRE D'ALIMENTATION ÉLECTRIQUE



Certains modèles nécessitent une prise mise à la terre de 115/120 volts c.a. 60 Hz, protégée par un disjoncteur ou un fusible à fusion temporisé de 15 amp.

La fiche triphasée réduit le danger de secousse électrique. Si la prise murale que vous allez utiliser n'est qu'une prise biphasée, vous êtes responsable de la faire remplacer par une prise murale triphasée bien mise à la terre.



Certains modèles nécessitent une alimentation de 230/208 volts c.a., protégée par un disjoncteur ou un fusible à fusion temporisé. Vous devez monter ces modèles sur leur propre circuit dérivé pour éviter la surcharge des circuits de câblage de la maison ou de l'appartement, qui peut occasionner un danger d'incendie par surchauffe des câbles.



⚠ ATTENTION :

N'enlevez, ne coupez ou n'ôtez jamais la troisième broche (de mise à la terre) du cordon d'alimentation. Ne changez jamais la fiche du cordon d'alimentation de ce conditionneur.

Un câblage de la maison en aluminium peut occasionner des problèmes particuliers—consultez un électricien qualifié.

IMPORTANT! GE recommande fortement de remplacer l'ancien logement mural par un nouveau de marque GE. Si vous décidez de garder le logement mural existant, vous pourriez avoir besoin d'une trousse d'adaptation pour obtenir un rendement adéquat. Si vous n'utilisez PAS de trousse, vous risquez d'obtenir un rendement médiocre ou une défaillance du produit, ce qui n'est pas couvert par la garantie GE.

DÉTERMINATION DE LA TROUSSE D'ADAPTATION DU MODÈLE « J »

Les conditionneurs de modèle « J » peuvent convenir à des logements muraux existants. Cependant, ils requièrent souvent une trousse pour adapter adéquatement le logement au conditionneur d'air GE. Répondez aux questions suivantes et consultez le tableau de la page suivante pour déterminer la trousse appropriée.

- A** Quelle marque de conditionneur d'air allez-vous remplacer ?
- B** Quelles sont les dimensions du logement mural présentement utilisé ?
- C** Quel est le numéro de modèle du châssis présentement utilisé ? Quel est le numéro (ou le type) de modèle du logement mural présentement utilisé ?

Souvent, la trousse d'adaptation du modèle « J » s'appliquera à un modèle de série d'une autre marque ou à un millésime spécifique. Dans ces cas, vous avez besoin du numéro de modèle du châssis et/ou du numéro du logement ou du « type » pour déterminer la trousse d'adaptation appropriée.

- D** Quel type de grille extérieure est utilisée avec le logement mural existant ?

Une grille ornementale peut être rattachée au logement mural pour améliorer l'aspect extérieur du bâtiment. Une grille personnalisée peut accompagner le logement mural du modèle « J » à condition d'utiliser une trousse d'adaptation pour assurer une ventilation adéquate.

Instructions de montage

Veillez lire toutes ces instructions attentivement.

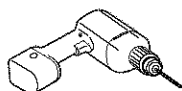
Le cordon d'alimentation peut comprendre un mécanisme d'interruption de courant. Un bouton d'essai et de remise en marche est fourni sur le boîtier de la prise. Vous devez essayer le mécanisme périodiquement en appuyant d'abord sur le bouton **TEST** (essai) puis sur le bouton

RESET (remise en marche). Si le bouton **TEST** (essai) ne bascule pas ou si le bouton **RESET** (remise en marche) ne reste pas enfoncé, cessez d'utiliser votre conditionneur d'air et appelez un technicien de service qualifié.

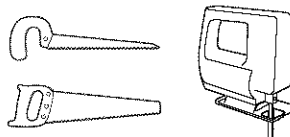
OUTILS DONT VOUS POUVEZ AVOIR BESOIN



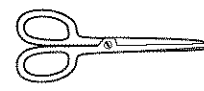
Tournevis à tête Phillips



Perceuse



Scie à main ou scie sauteuse



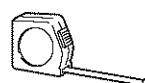
Scissors ou couteau



Clé anglaise



Crayon



Mètre à ruban ou ridge



Niveau

NUMÉROS DE TROUSSES GE

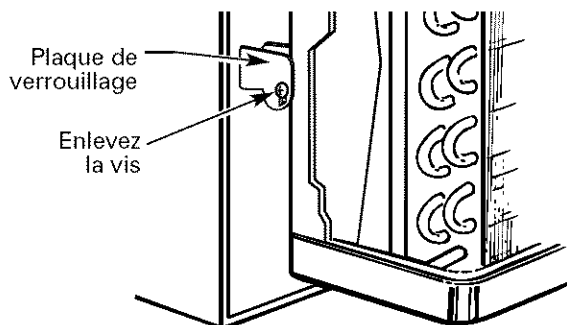
UTILISEZ LE NUMÉRO DE TROUSSE GE :	POUR :	DESCRIPTION:
RAK56A100	GE RAB13, 14 & 15 (Châssis ACLB & RCL)	Convient à tous les logements muraux GE de 26 po L x 18 po H x 24 po P
RAK1072	Hotpoint ACXB10 & 11 (Châssis ACTB)	Adapte un ancien logement Hotpoint à un châssis de modèle « J ». Convient aux logements muraux Hotpoint de 25 ³ / ₄ po L x 16 ⁷ / ₈ po H x 18 ⁵ / ₈ po P
RAK1082	Whirlpool Type 23W Logement mural	Adapte un logement mural Whirlpool à un châssis de modèle « J ». Convient aux logements muraux Whirlpool de 25 ⁷ / ₈ po L x 16 ¹ / ₂ po H x 23 ¹ / ₈ po P
RAK1102	GE RAB30 (Modèles « F »)	Adapte un logement mural GE à un châssis de modèle « J ». Convient au logement mural RAB 30 de 26 L x 18 H x 24 P
RAK123A64	Logement mural Fedders « A »	Adapte le logement mural Fedders au châssis du modèle « J ». Convient aux logements muraux Fedders de 27 po L x 16 ³ / ₄ po H x 16 ³ / ₄ po P
RAK126	Logement mural Westinghouse (Type 2626D73H01)	Adapte le logement mural Westinghouse au châssis du modèle « J ». Convient aux logements muraux Westinghouse 25 ⁷ / ₈ po L x 15 ⁷ / ₈ po H x 16 po P
RAB46, 47 & 48	Utilisez ces trousse pour toutes les marques qui n'apparaissent pas dans cette liste.	Logement mural standard pour le châssis du modèle « J ». Grille extérieure RAG13 en aluminium matricée comprise. Retirez le logement existant et remplacez-le.
RAK690	RAB36, 37, 38, 46, 47 ou 48 (Châssis « J »)	Si vous mettez une grille extérieure ornementale personnalisée, utilisez cette trousse pour obtenir une ventilation adéquate.
RAG13	RAB36, 37, 38, 46, 47 ou 48 (Châssis « J »)	Grille extérieure en aluminium standard (comprise avec les logements muraux RAB46, 47 et 48)
RAG14E	RAB36, 37, 38, 46, 47 ou 48 (Châssis « J »)	Grille extérieure ornementale à persiennes

Instructions de montage

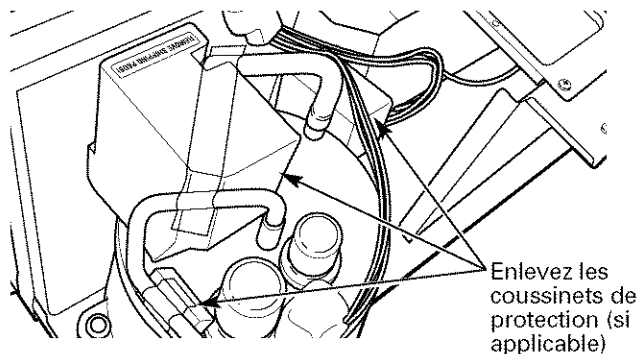
INSTALLATION D'UN MODÈLE « J » DANS UN LOGEMENT MURAL EXISTANT

Veillez lire toutes ces instructions attentivement.

1 RETIREZ LA PLAQUE DE VERROUILLAGE SUR LE CÔTÉ GAUCHE AVANT

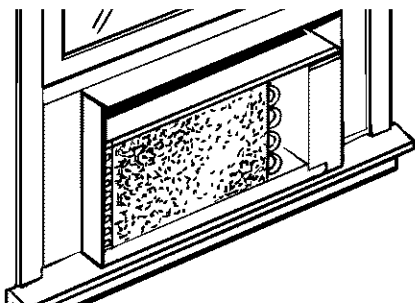


2 À L'INTÉRIEUR DU CONDITIONNEUR, RETIREZ TOUS LES COUSSINETS DE PROTECTION (SI APPLICABLE) SITUÉ À CÔTÉ DU COMPRESSEUR



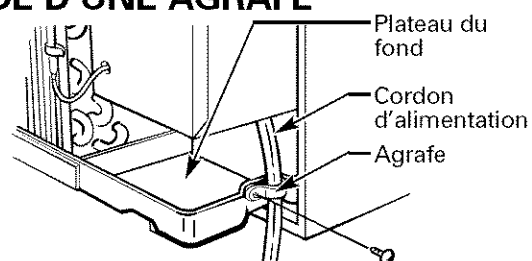
3 GLISSEZ DÉLICATEMENT LE CONDITIONNEUR DANS LE LOGEMENT

Assurez-vous que la tubulure de l'appareil n'entre pas en contact avec le logement mural et que ce dernier est installé correctement.



4 RÉINSTALLEZ LA PLAQUE DE VERROUILLAGE EN PLAÇANT LA LANGUETTE DERRIÈRE LE REBORD DU LOGEMENT MURAL

5 FIXEZ LE CORDON D'ALIMENTATION AU PLATEAU À L'AIDE D'UNE AGRAFE



6 FIXEZ LA GRILLE FRONTALE

Une ouverture pour le cordon d'alimentation se trouve dans le bas de la grille frontale.

Instructions de montage

INSTALLATION À TRAVERS LE MUR

Veillez lire toutes ces instructions attentivement.

1 PRÉPARATION DE L'OUVERTURE DANS LE MUR

Assurez-vous qu'une prise murale se trouve à proximité de l'ouverture ou installez-en une.

La longueur du cordon des modèles 115 volts est 72 po (1,8 m) à droite et 47 po (1,2 m) à gauche.

Dans le cas des modèles 230/208 volts, la longueur du cordon est 65 po (1,65 m) à droite et 39 po (1,0 m) à gauche.

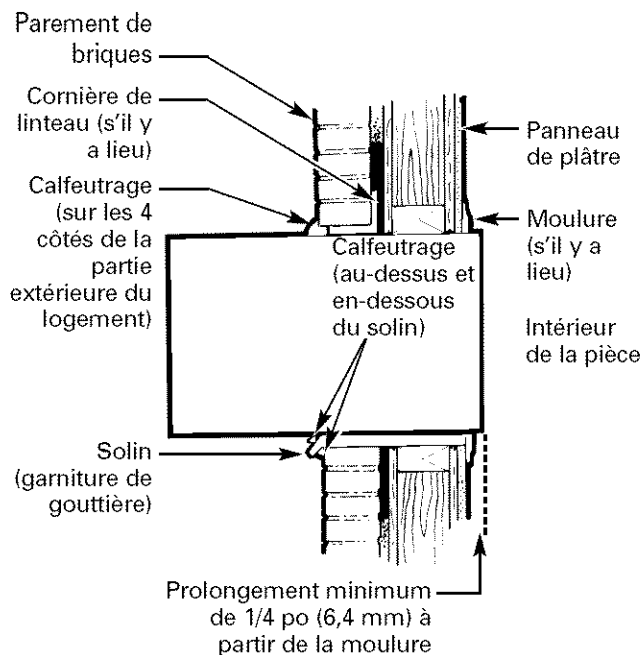
2 SUPPORT DU CONDITIONNEUR

Le logement mural du conditionneur doit être installé en excédant le mur intérieur ou extérieur d'au moins 1/4 po (6,4 mm).

Les côtés finis de l'ouverture doivent être des éléments de charpente du mur.

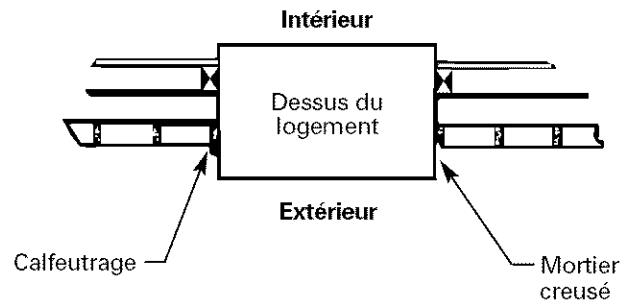
Linteau – Pour les murs de maçonnerie, utilisez un linteau pour supporter les briques ou les blocs au-dessus de l'ouverture. Le logement mural ne doit pas se substituer au linteau.

Solin – Installez un solin (garniture de gouttière) de la manière illustrée pour empêcher l'eau de dégoutter à l'intérieur du mur et sur l'extérieur du bâtiment.



3 SUPPORT DU CONDITIONNEUR

Le mortier entre le logement et la brique autour du logement peut être creusé à 45° pour améliorer le calfeutrage.

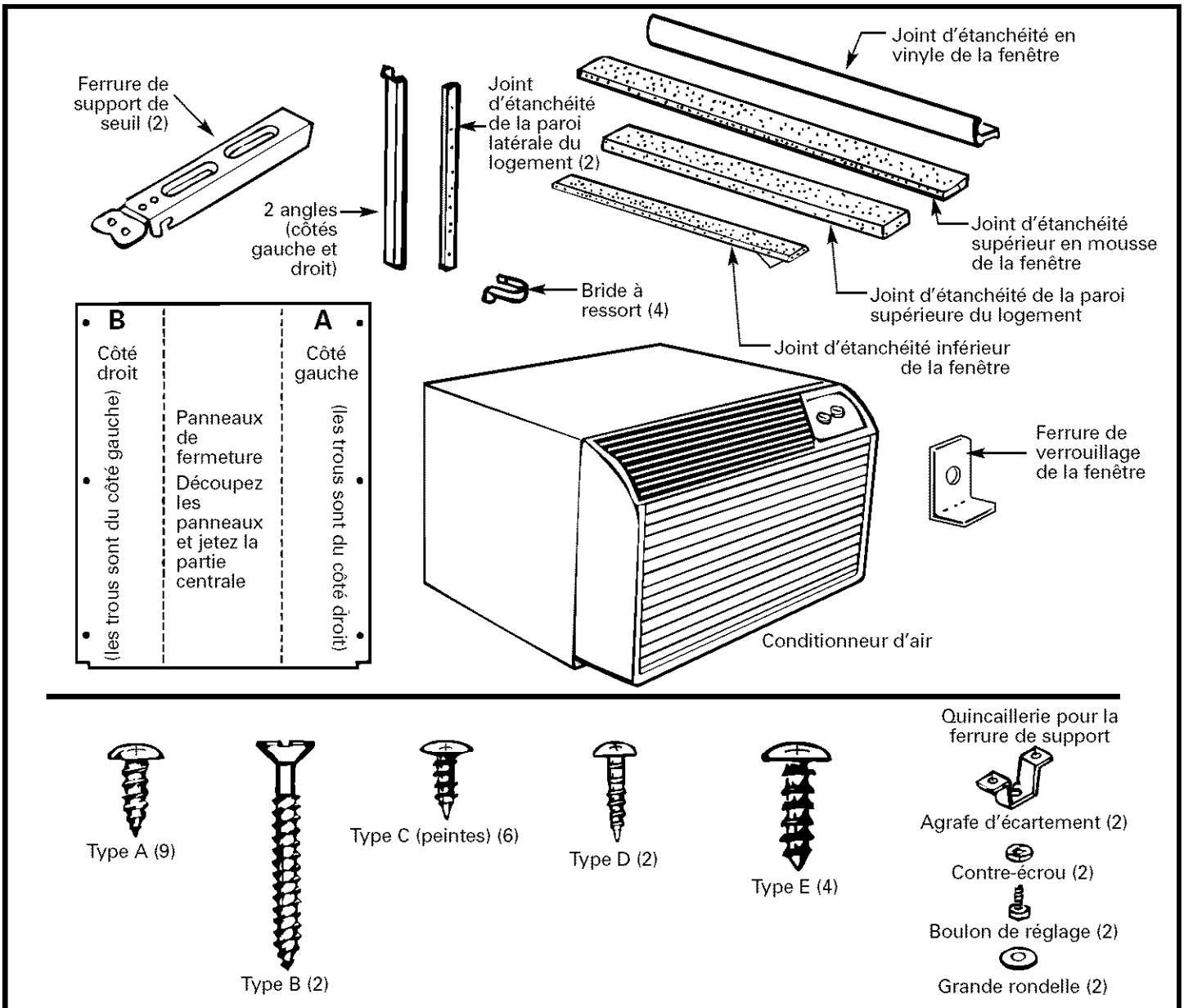


Instructions de montage

INSTALLATION DE FENÊTRE (EN OPTION)

POUR LES MODÈLES AJES06LSC, AJES08ASC, AJES10DSC et AJHS08ASC

Lisez toutes ces instructions attentivement.



Type A (9)



Type B (2)



Type C (peintes) (6)



Type D (2)



Type E (4)

Quincaillerie pour la ferrure de support



Agrafe d'écartement (2)

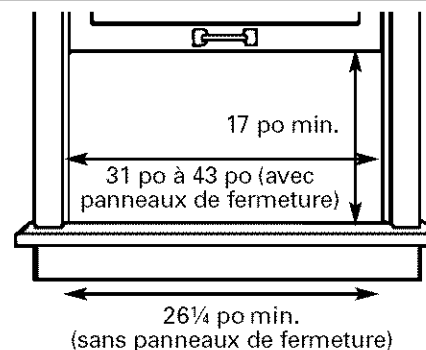
Contre-écrou (2)

Boulon de réglage (2)

Grande rondelle (2)

1 INSTRUCTIONS RELATIVES À LA FENÊTRE

- Ces instructions s'appliquent aux fenêtres à guillotine à deux châssis mobiles. Elles devront être adaptées pour les autres types de fenêtres.
- Le conditionneur peut être monté sans les panneaux accordéons si la fenêtre est étroite. Voyez les dimensions de l'ouverture de fenêtre dans l'illustration à droite.
- Toute la ferrure de montage doit être fixée solidement sur le bois, la maçonnerie ou le métal.
- La prise d'alimentation électrique doit se trouver dans la portée du cordon d'alimentation.

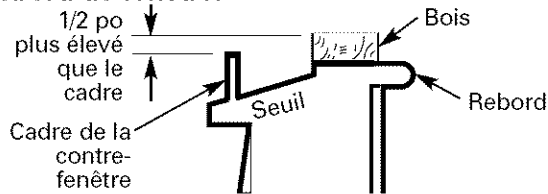


Les dimensions de l'ouverture de fenêtre s'appliquent aux fenêtres à guillotine à deux châssis mobiles.

Instructions de montage

2 INSTRUCTIONS RELATIVES À LA CONTRE-FENÊTRE

Le cadre de la contre-fenêtre empêche le conditionneur de pencher vers l'extérieur et donc de se drainer adéquatement. Pour régler ce problème, fixez une pièce de bois sur le rebord de fenêtre.



PIÈCES DE BOIS :

LARGEUR : 2 po

LONGUEUR : Suffisamment longue pour se loger à l'intérieur du cadre de fenêtre.

ÉPAISSEUR : Pour déterminer l'épaisseur, placez une pièce de bois sur le rebord de la fenêtre de façon à ce que la pièce soit 1/2 po plus élevée que le dessus du cadre de la contre-fenêtre.

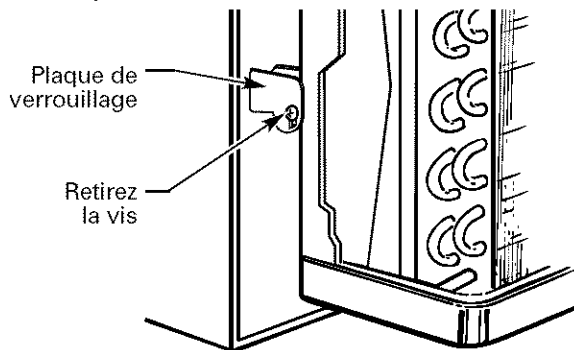
Fixez solidement à l'aide des clous ou des vis fournies par l'installateur.

3 RETIREZ LE CONDITIONNEUR DE SON LOGEMENT

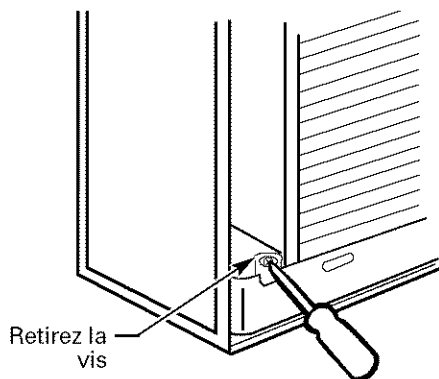
A Retirez la grille frontale. Consultez la section Entretien et nettoyage.

B Trouvez la plaque de verrouillage située du côté avant gauche.

C Enlevez la vis et la plaque de verrouillage pour déverrouiller le conditionneur.

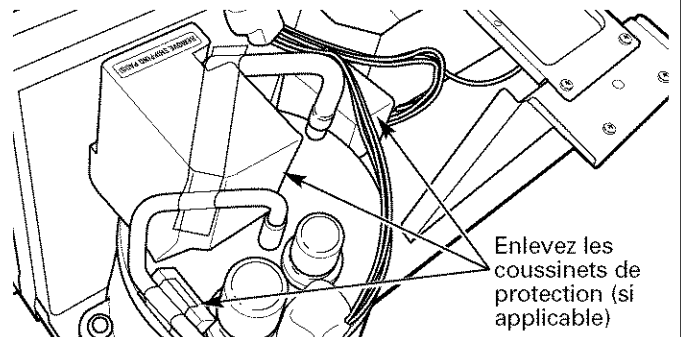


D Retirez et jetez la vis située à l'arrière du conditionneur pour permettre de dégager le conditionneur de son logement.



E Tirez les coins inférieurs du conditionneur et faites-le glisser à l'extérieur du logement.

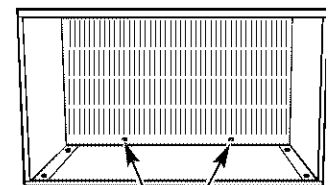
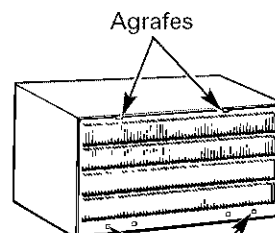
F Enlevez tous les coussinets de protection (si applicable) situé près du compresseur à l'intérieur du conditionneur.



G Enlevez la grille arrière fixée avec du ruban derrière le logement. Enlevez le paquet de vis attaché avec du ruban à l'arrière de la grille. En la tenant à un angle de 45°, insérez la grille dans les agrafes situées dans la partie supérieure du logement et poussez sur le bas de la grille pour la mettre en place. Maintenez une légère pression vers le haut de la grille jusqu'à ce qu'elle se loge contre la partie inférieure du logement.

Si vous fixez la grille depuis l'extérieur du logement, utilisez deux vis longues.

Si vous fixez la grille depuis l'intérieur du logement, utilisez les deux vis courtes.

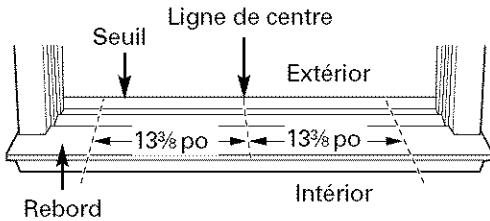


Instructions de montage

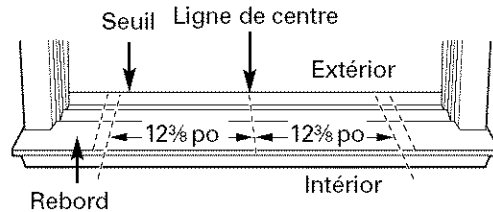
INSTALLATION DE FENÊTRE (EN OPTION) (suite)

4 PRÉPAREZ LA FENÊTRE

A Tracez la ligne de centre du rebord de fenêtre. Mesurez $13\frac{3}{8}$ po de chaque côté de la ligne de centre pour tracer la position des panneaux.

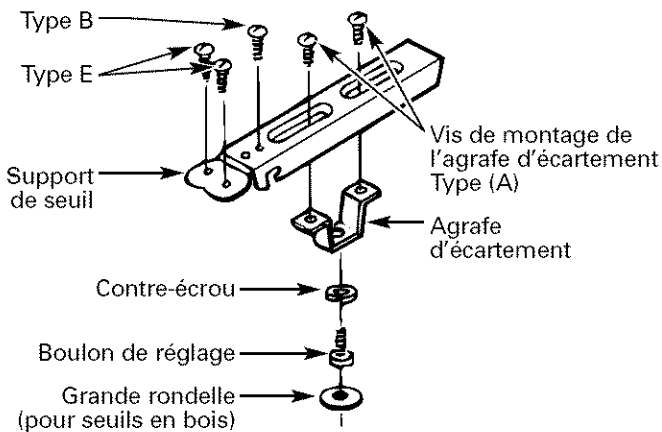


B Mesurez $12\frac{3}{8}$ po de chaque côté de la ligne de centre pour déterminer la position des ferrures de support de seuil.

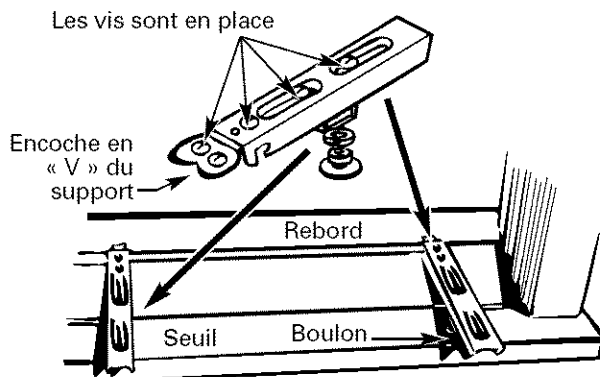


5 INSTALLEZ LES SUPPORTS DE SEUIL

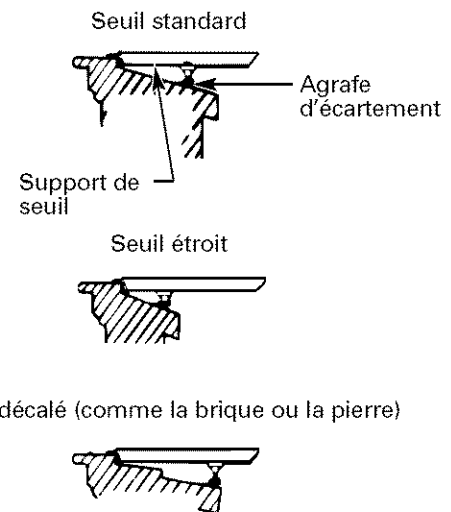
A Fixez les supports de seuil. Ne serrez pas complètement les vis de montage de l'agrafe d'écartement pour l'instant.



B Avant de fixer les supports de seuil, placez-les sur le rebord de la fenêtre. Placez l'agrafe d'écartement le plus près possible du point le plus extérieur du seuil. Serrez les vis de montage de l'agrafe d'écartement.



C Vissez les boulons et serrez les contre-écrous de façon à mettre les supports de seuil de niveau ou inclinés de $1/8$ po vers l'extérieur. Alignez l'encoche en « V » sur les marques tracées à $12\frac{3}{8}$ po. Percez des avant-trous et fixez les supports de seuil.



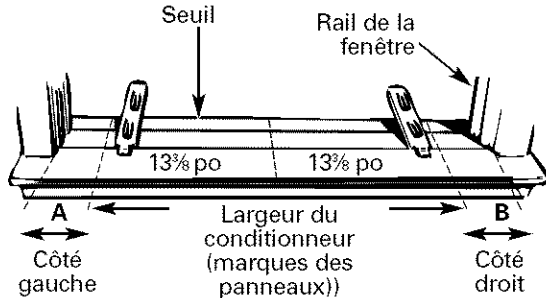
NOTES :

- Dans le cas d'un seuil étroit, l'espace peut s'avérer insuffisant pour utiliser un contre-écrou.
- Un seuil profondément décalé peut exiger l'utilisation d'un boulon de réglage plus long que le boulon à tête hexagonale standard fourni.
- Pour empêcher le boulon de s'enfoncer dans un seuil en bois, utilisez une rondelle de grand format entre la tête du boulon et le seuil.

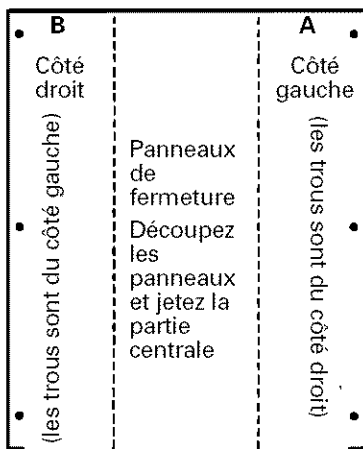
Instructions de montage

6 MESUREZ, COUPEZ ET INSTALLEZ LES PANNEAUX DE FERMETURE

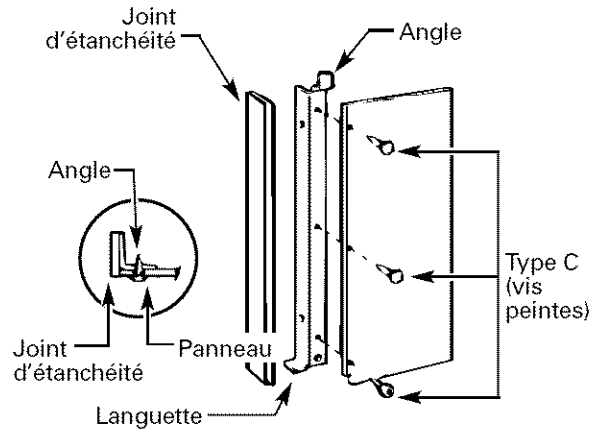
A De chaque côté (A et B), mesurez la distance entre la marque du panneau (voir Préparez la fenêtre) et l'intérieur du rail de la fenêtre.



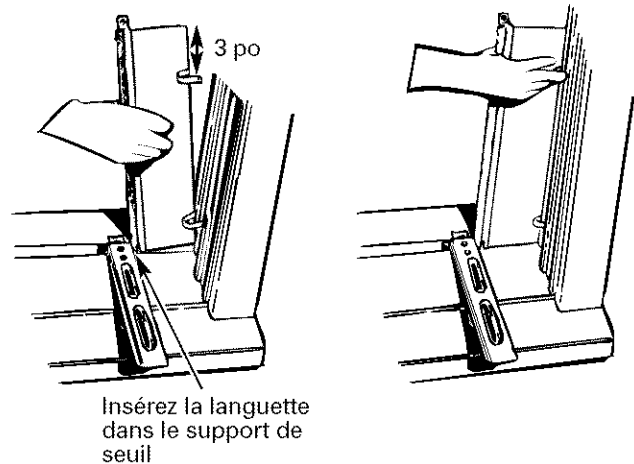
B Tracez les distances A et B de chaque côté de la pièce à découper. Coupez les panneaux et jetez le morceau du centre. Remarquez la position des encoches.



C Assemblez les composants des panneaux. Enlevez le doublage en papier du joint d'étanchéité de la paroi latérale du boîtier et fixez le joint sur l'angle. Poussez une pointe de crayon à travers les joints pour localiser les trous des angles.



D Montez les panneaux dans la fenêtre. Placez les brides à ressort à 3 po du haut et du bas des panneaux. Pliez et poussez les brides pour les loger dans les rails de la fenêtre et insérez la languette dans le support de seuil.

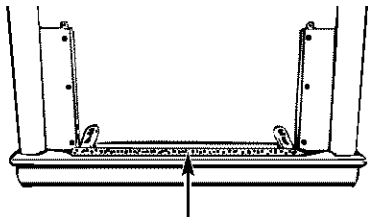


Instructions de montage

INSTALLATION DE FENÊTRE (EN OPTION) (suite)

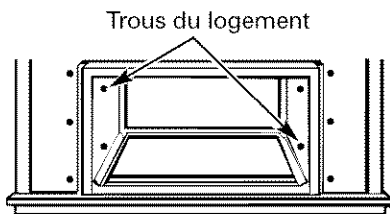
7 MONTEZ LE LOGEMENT DANS LA FENÊTRE

- A** Enlevez le doublage en papier du joint d'étanchéité inférieur de la fenêtre.
- B** Placez le joint d'étanchéité sur le rebord de la fenêtre et par-dessus les supports, à égalité avec le bord arrière, surface adhésive vers le bas.



Joint d'étanchéité inférieur de la fenêtre

- C** Faites délicatement glisser le logement vide dans la fenêtre jusqu'à ce que les trous du logement s'alignent sur les trous des angles des panneaux.

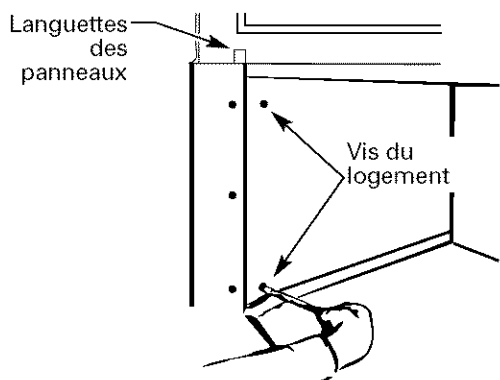


Trous du logement

NOTES :

- Le logement devrait avoir une inclinaison minimale de 1/8 po vers l'extérieur.
- Assurez-vous que les joints d'étanchéité demeurent en place et ne roulent pas avec le boîtier.

- D** Baissez la fenêtre pour qu'elle repose derrière les languettes des panneaux. Insérez les quatre (4) vis de type A à travers les trous du logement et les trous des angles, deux (2) de chaque côté.

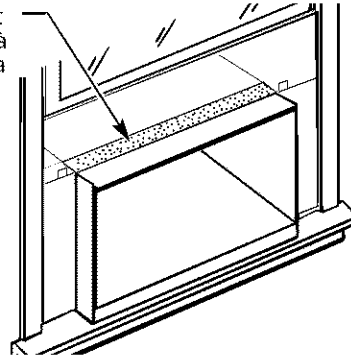


Languettes des panneaux

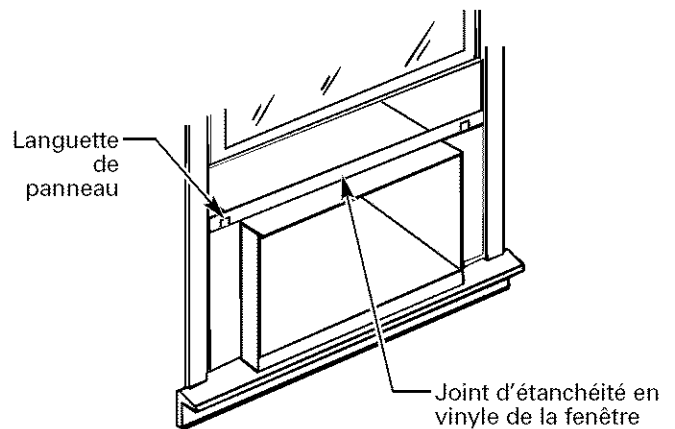
Vis du logement

- E** La fenêtre étant fermée, marquez l'endroit où le châssis de la fenêtre entre en contact avec le logement du conditionneur.
- F** Enlevez le doublage en papier du joint d'étanchéité de la paroi supérieure du logement.
- G** Tenez bien le logement, ouvrez la fenêtre et placez le joint d'étanchéité le long de la marque tracée sur le logement.

Placez le joint d'étanchéité à l'endroit où la fenêtre se ferme sur le dessus du logement.



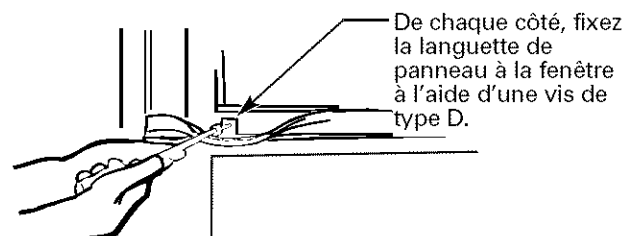
- H** Placez le joint d'étanchéité en vinyle de la fenêtre par-dessus le joint d'étanchéité de la paroi supérieure du logement. Insérez les languettes des panneaux dans les fentes du joint d'étanchéité. Coupez le joint de chaque côté à la largeur de la fenêtre.



Languette de panneau

Joint d'étanchéité en vinyle de la fenêtre

- I** Fermez la fenêtre fermement sur le joint d'étanchéité en vinyle. Courbez le joint d'étanchéité vers l'avant pour exposer les languettes des panneaux. Percez des avant-trous dans le châssis de la fenêtre.



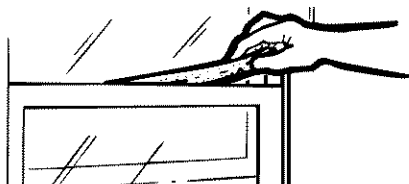
De chaque côté, fixez la languette de panneau à la fenêtre à l'aide d'une vis de type D.

Instructions de montage

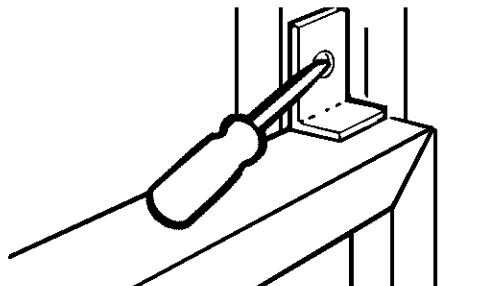
8 MONTEZ LE JOINT D'ÉTANCHÉITÉ EN MOUSSE DE LA FENÊTRE ET LA FERRURE DE VERROUILLAGE

A Coupez, à la largeur de la fenêtre, le joint d'étanchéité supérieur en mousse.

B Insérez la mousse entre la vitre et la fenêtre pour empêcher l'air et les insectes de pénétrer dans la pièce.

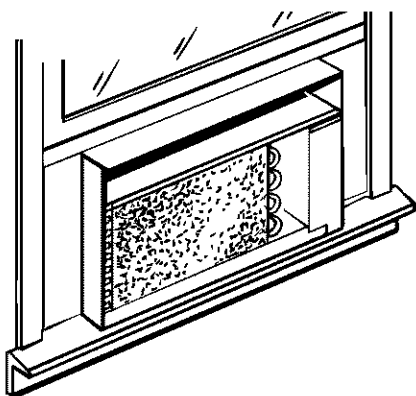


C Fixez la ferrure de verrouillage de la fenêtre à l'aide d'une (1) vis de type E.

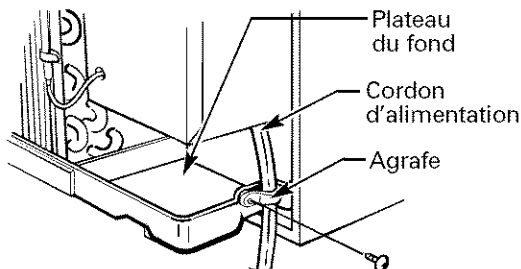


9 REPLACEZ LE CONDITIONNEUR DANS SON LOGEMENT

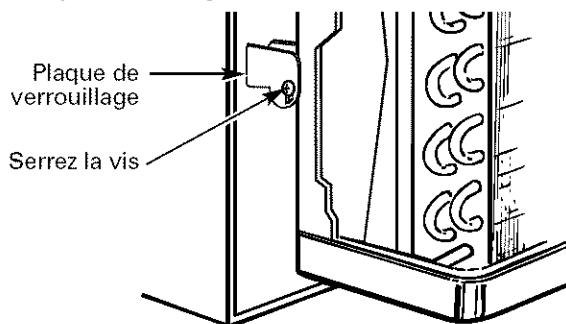
A Faites délicatement glisser le conditionneur dans son logement.



B Fixez le cordon d'alimentation au plateau du fond à l'aide de l'agrafe.



C Remettez la plaque de verrouillage en place en mettant la languette derrière le rebord de la paroi du logement. Serrez la vis.



D Fixez la grille frontale. Une ouverture pour le cordon d'alimentation se trouve dans le bas de la grille frontale.

E Bouchez les trous et les fissures avec du calfeutrage fourni par l'installateur.

Avant d'appeler le service . . .

En cas de panne : Économisez du temps et de l'argent! Étudiez le tableau ci-dessous : votre appel de service est peut-être inutile.

Problème	Causes possibles	Que faire
Le conditionneur ne se met pas en marche	Le conditionneur est débranché.	• Assurez-vous que la fiche du conditionneur soit bien branchée dans la prise murale.
	Le fusible a sauté/ le disjoncteur est ouvert.	• Vérifiez la boîte à fusible/à disjoncteurs et remplacez le fusible ou rebranchez le disjoncteur.
	Il y a une panne de courant.	• S'il se produit une panne de courant, débranchez le conditionneur en le mettant en position OFF . Quand le courant revient, attendez 3 minutes avant de remettre en marche le conditionneur, pour éviter de déclencher la surcharge du compresseur.
Le conditionneur ne refroidit pas autant qu'il devrait	Le mécanisme d'interruption de courant est déclenché.	• Appuyez sur le bouton RESET (remise en marche) situé sur la fiche du cordon électrique. • Si le bouton RESET (remise en marche) ne reste pas enfoncé, arrêtez le conditionneur d'air et appelez un technicien qualifié.
	La circulation d'air est bloquée.	• Assurez-vous qu'il n'y a pas de rideau, de store ou de meuble qui bloque le devant du conditionneur.
	Le contrôle de température n'est pas bien réglé.	• Pour les modèles dotés de touches à effleurement : en mode COOL , appuyez sur la touche DECREASE ▼ . • Pour les modèles dotés de boutons de commande, réglez le bouton de température à un numéro plus élevé.
Le conditionneur d'air gèle	Le filtre à air est sale.	• Nettoyez le filtre au moins tous les 30 jours. Consulter la section <i>Instructions de fonctionnement</i> .
	La chambre était chaude.	• Après avoir mis en marche le conditionneur, attendez que la chambre se refroidisse.
	L'air froid s'échappe de la chambre.	• Vérifiez les grilles à registre de plancher et les reprises d'air froid. • Réglez l'évent du conditionneur en position fermée.
	Les serpentins sont gelés.	• Consultez " Le conditionneur d'air gèle " ci-dessous.
La télécommande ne fonctionne pas	La glace bloque la circulation d'air et empêche le conditionneur de refroidir la chambre.	• Pour les modèles dotés de boutons de commande, réglez le mode à HIGH FAN ou HIGH COOL , et la température à WARMER . • Pour les modèles dotés de touches à effleurement, réglez les commandes à HIGH FAN ou HIGH COOL et réglez le thermostat à une température plus élevée.
	Les piles ne sont pas insérées correctement.	• Vérifiez la position des piles. Elles doivent être insérées correctement.
De l'eau coule à l'extérieur	Les piles sont peut-être déchargées.	• Remplacer les piles.
De l'eau coule à l'intérieur	Il fait très chaud et humide.	• C'est normal.
L'eau s'accumule dans le plateau du fond	Le conditionneur n'est pas incliné vers l'extérieur.	• Pour obtenir une bonne évacuation de l'eau, assurez-vous que le conditionneur soit légèrement incliné de l'avant du boîtier vers l'arrière.
	L'humidité est extraite de l'air de la chambre et passe dans le plateau du fond.	• C'est normal pendant une période courte dans des régions peu humides; normal pendant des périodes plus longues dans des régions très humides.

Bruits normaux de fonctionnement

- Vous pouvez entendre un cliquetis dû à de l'eau qui est absorbée et est projetée contre le condensateur les jours de pluie où quand il y a beaucoup d'humidité. Cette caractéristique diminue l'humidité et améliore le rendement.
- Vous pouvez entendre le claquement du thermostat quand le compresseur se met en marche et s'arrête.

- De l'eau s'accumule dans le plateau du bas pendant les périodes de grande humidité ou s'il pleut. Cette eau peut déborder et couler de l'appareil du côté extérieur.
- Le ventilateur peut tourner même quand le compresseur ne fonctionne pas.

<i>Soutien au consommateur</i>	<i>En cas de panne</i>	<i>Instructions de montage</i>	<i>Entretien et nettoyage</i>	<i>Instructions de fonctionnement</i>	<i>Instructions de sécurité</i>
--------------------------------	------------------------	--------------------------------	-------------------------------	---------------------------------------	---------------------------------

Notes.

Garantie du conditionneur d'air.



Tout le service en vertu de la garantie est offert par nos centres de service d'usine ou par un technicien autorisé de Customer Care®. Pour obtenir le service, appelez le 1.800.361.3400. Veuillez fournir le numéro de série et le numéro de modèle lorsque vous appelez pour obtenir le service.

Agrafez le reçu d'achat ici.
Pour obtenir le service sous garantie, vous devrez fournir la preuve de l'achat original.

Pour la période de : Nous remplacerons :

Un an

À partir de la date d'achat original

Toute pièce du conditionneur qui ne fonctionne pas à cause d'un vice de matériau ou de main-d'œuvre. Pendant cette **garantie limitée d'un an**, nous fournirons également, **gratuitement**, toute la main-d'œuvre et le service connexe nécessaires pour remplacer la pièce défectueuse.

Cinq ans

À partir de la date d'achat original

Tout élément du système de réfrigération scellé (le compresseur, le condensateur, l'évaporateur et tous les tuyaux de connexion) qui ne fonctionne pas à cause d'un vice de matériau ou de main-d'œuvre. Pendant cette **garantie limitée supplémentaire de quatre ans**, nous fournirons également, **gratuitement**, toute la main-d'œuvre et le service connexe nécessaires pour remplacer la pièce défectueuse.

Ce qui n'est pas couvert :

- Les déplacements de service à votre maison pour vous apprendre à utiliser le produit.
- Un montage, une livraison ou un entretien déficient. Si vous avez un problème de montage ou si le conditionneur n'a pas la bonne capacité de refroidissement pour son usage prévu, appelez votre revendeur ou votre installateur. Vous êtes responsable de fournir une installation de raccordement électrique convenable.
- Les pannes occasionnées par des modifications au produit ou une utilisation non raisonnable, en particulier une absence d'entretien raisonnable et nécessaire.
- Dans les emplacements commerciaux, la main-d'œuvre nécessaire pour déménager l'appareil jusqu'à un emplacement où il est accessible par un technicien particulier.
- Le remplacement des fusibles de la maison ou la réactivation des disjoncteurs.
- Les pannes occasionnées par la corrosion sur les modèles qui ne sont pas protégés contre la corrosion.
- Les dommages occasionnés par un mauvais voltage de l'alimentation électrique, un accident, un incendie, une inondation ou une calamité naturelle.
- Les dommages indirects et consécutifs à la propriété personnelle occasionnés par des vices possibles de ce conditionneur.
- Les dommages occasionnés par la livraison.
- Le service s'il est impossible d'avoir accès au produit pour ce faire.

EXCLUSION DE GARANTIES IMPLICITES – Votre seul et unique recours est la réparation du produit selon les dispositions de cette Garantie limitée. Toutes les garanties implicites, incluant les garanties de commercialité et d'adéquation à un usage spécifique, sont limitées à une année ou à la période la plus courte autorisée par la législation.

Cette garantie couvre l'acheteur original et tout possesseur subséquent de produits achetés pour un usage au Canada. Si le produit est installé dans une région où ne se trouve aucun réparateur autorisé GE, vous devrez peut-être assumer les frais de transport ou apporter/expédier le produit à un centre de service autorisé GE.

Certaines provinces ne permettent pas l'exclusion ou la limitation des dommages indirects ou consécutifs et, par conséquent, l'exclusion ci-dessus peut ne pas s'appliquer à vous. Cette garantie vous donne des droits juridiques particuliers et vous pouvez également avoir d'autres droits qui varient d'une province à l'autre. Pour connaître vos droits juridiques dans votre province, consultez votre bureau local ou provincial de protection des consommateurs.

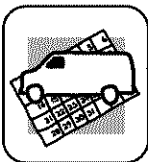
Soutien au consommateur.



Site Web appareils électroménagers GE

www.electromenagersge.ca

Vous avez une question ou vous avez besoin d'aide pour votre appareil électroménager? Contactez-nous par Internet au site www.electromenagersge.ca 24 heures par jour, tous les jours de l'année.



Service de réparations

1.800.361.3400

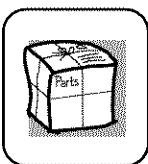
Service de réparations GE est tout près de vous.
Pour faire réparer votre électroménager GE, il suffit de nous téléphoner.



Studio de conception réaliste

Sur demande, GE peut fournir une brochure sur l'aménagement d'une cuisine pour les personnes à mobilité réduite.

Écrivez : Directeur, Relations avec les consommateurs, Mabe Canada Inc.
Bureau 310, 1 Factory Lane
Moncton, N.B. E1C 9M3



Pièces et accessoires

Ceux qui désirent réparer eux-mêmes leurs électroménagers peuvent recevoir pièces et accessoires directement à la maison (cartes VISA, MasterCard et Discover acceptées).

Les directives stipulées dans le présent manuel peuvent être effectuées par n'importe quel utilisateur. Les autres réparations doivent généralement être effectuées par un technicien qualifié. Soyez prudent, car une réparation inadéquate peut affecter le fonctionnement sécuritaire de l'appareil.

Vous trouverez dans les pages jaunes de votre annuaire le numéro du Centre de service Mabe le plus proche. Autrement, appelez-nous au 1.888.261.3055.



Contactez-nous

Si vous n'êtes pas satisfait du service après-vente dont vous avez bénéficié :

Premièrement, communiquez avec les gens qui ont réparé votre appareil.

Ensuite, si vous n'êtes toujours pas satisfait envoyez tous les détails—numéro de téléphone compris—au
Directeur, Relations avec les consommateurs, Mabe Canada Inc.
Bureau 310, 1 Factory Lane
Moncton, N.B. E1C 9M3



Inscrivez votre appareil électroménager

Inscrivez votre appareil électroménager en direct, aussitôt que possible. Cela améliorera nos communications et notre service après-vente. Vous pouvez également nous envoyer par la poste le formulaire d'inscription joint à votre documentation.



Acondicionador de aire

Instrucciones de seguridad 2, 3

Instrucciones de operación

Controles—botones
de control 8, 9
Controles—teclas de toque 4-6

Cuidado y limpieza

Filtro de aire 11
Rejilla delantera 10
Rejilla y caja 10
Bobinas para exteriores 10

Instrucciones de instalación

Antes de empezar 12, 13
Cómo instalar un modelo J en
una caja de pared existente 14
Instalación opcional a través
de la pared 15
Instalación de ventana—
opcional en modelos que
vienen equipados 16-21

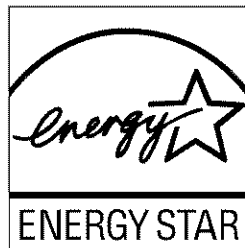
Solucionar problemas

Antes de llamar para
solicitar servicio 22
Sonidos normales de operación 23

Apoyo al consumidor

Apoyo al consumidor ... Cubierta trasera
Garantía 27

* Producto con la etiqueta ENERGY STAR®



Como un asociado de ENERGY STAR®, GE ha determinado que este producto cumple con las guías de ENERGY STAR® para eficiencia energética.

Escriba los números de modelo y serie aquí:

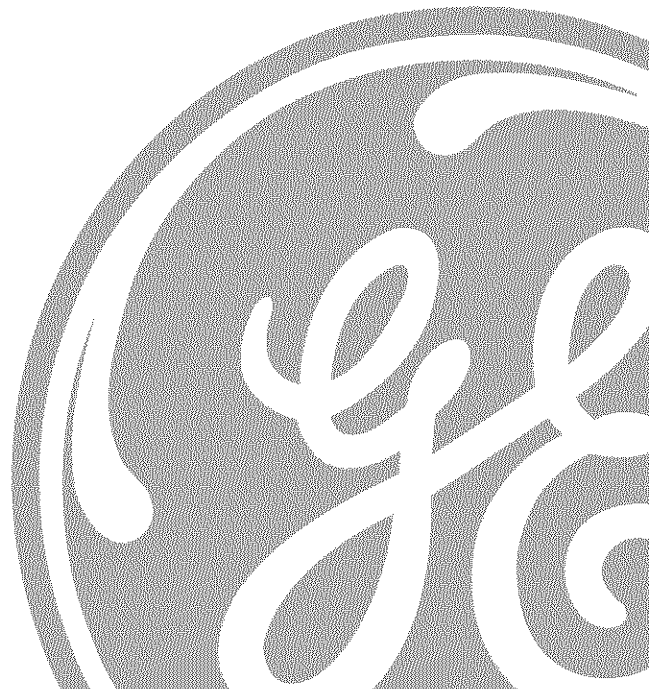
de Modelo _____

de Serie _____

Estos números se encuentran en una etiqueta ubicada detrás del gabinete del ambiente sobre la bandeja de la base.

**Manual del propietario
y instrucciones
de instalación**

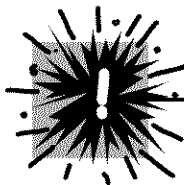
<i>Refrescar solamente</i>	AJCH 08, 10	ACC*
	AJCH 10, 12	DCC*
	AJCQ 06	LCC*
	AJCQ 08, 10, 12	ACC*
	AJCQ 10, 12	DCC*
	AJCS 06	LCC*
<i>Refrescar/calentar</i>	AJCS 08, 10	ACC*
	AJCS 09, 10, 12	DCC*
	AJEH 12	DCC
	AJES 06	LSC
	AJES 08	ASC
	AJES 09, 10, 12	DCC
<i>Bomba de calor</i>	AJES 10	DSC
	AJHS 08	ASC*
	AJHS 08, 10	DCC*



INFORMACIÓN IMPORTANTE DE SEGURIDAD. LEA TODAS LAS INSTRUCCIONES ANTES DE USAR.

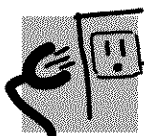
⚠ ¡ADVERTENCIA!

Por su seguridad, se debe seguir la información en este manual para minimizar el riesgo de incendios, descargas eléctricas o lesiones personales.



PRECAUCIONES DE SEGURIDAD

- Use este electrodoméstico solamente para el propósito determinado según se describe en el Manual del propietario.
- Este acondicionador de aire debe instalarse correctamente de acuerdo con las Instrucciones de instalación antes de su uso.
- Nunca desenchufe su acondicionador de aire tirando del cable eléctrico. Siempre agarre firmemente el enchufe y tire de él directamente hacia afuera.
- Reemplace inmediatamente todos los cables eléctricos que se hayan pelado o que se hayan dañado de alguna otra manera. Un cable de corriente dañado no debe repararse, sino que debe ser sustituido por uno nuevo que se adquiriera del fabricante. No use un cable eléctrico que muestre evidencias de deterioro, o daños de abrasión en su superficie en alguno de sus extremos.
- Apague el control de modo y desenchufe su acondicionador de aire antes de hacer cualquier reparación o limpiar.
- **NOTA:** Recomendamos *enérgicamente* que cualquier servicio llevado a cabo en este equipo lo realice un individuo calificado.
- Por su seguridad...no almacene ni use materiales combustibles, gasolina u otros vapores o líquidos inflamables en la proximidad de éste o algún otro electrodoméstico.
- Todos los acondicionadores de aire contienen refrigerantes, los que por Ley Federal deben ser removidos antes de desecharlos. Si usted planea deshacerse de algún producto que contenga refrigerantes, póngase en contacto con la compañía que se encarga de recoger su basura para que le indiquen qué hacer.



CÓMO CONECTAR LA ELECTRICIDAD

Bajo ninguna circunstancia, corte o remueva la tercera púa (tierra) del cable eléctrico. En pos de la seguridad personal, este electrodoméstico debe siempre conectarse a tierra.

El cable eléctrico de este electrodoméstico está equipado con un enchufe de tres púas (tierra) que combina con un tomacorriente estándar de tres tomas de pared para minimizar la posibilidad de una descarga eléctrica.

El cable de alimentación puede incluir un dispositivo para interrupción de corriente. Se incluye un botón de prueba y de reinicio en el dispositivo. El dispositivo debe ponerse a prueba periódicamente: primero se presiona el botón de **TEST** (prueba) y luego **RESET** (reinicio). Si el botón **TEST** no se dispara o si el botón **RESET** no queda enganchado, deje de utilizar el acondicionador de aire y comuníquese con un técnico calificado.

Pida a un técnico que inspeccione el tomacorriente y el circuito para cerciorarse de que el tomacorriente está conectado a tierra de la manera apropiada.

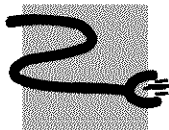
Donde exista un tomacorriente de dos tomas, es su responsabilidad y obligación personal hacer que dicho tomacorriente sea reemplazado por uno de tres tomas con conexión a tierra.

El acondicionador de aire debería siempre estar conectado a un tomacorriente individual con su circuito de voltaje correspondiente.

Esto proporciona el mayor rendimiento y además evita que los circuitos del resto de la casa se sobrecarguen, lo cual podría causar incendios por el sobrecalentamiento del cableado.

Ver las Instrucciones de instalación, en la sección *Requisitos Eléctricos* para los requisitos específicos de conexión.

⚠ ¡ADVERTENCIA!



USO DE CABLES DE EXTENSIÓN—Modelos de 115 voltios solamente

Debido al potencial de riesgos de seguridad bajo ciertas condiciones, enérgicamente recomendamos contra el uso de cables de extensión.

Sin embargo, si usted se ve en la necesidad de usar un cable eléctrico de extensión, es absolutamente necesario que el mismo esté listado bajo UL, sea calibre 14, del tipo de 3 tomas con conexión a tierra para electrodomésticos y el índice eléctrico debe ser de 15 amperios (mínimo) y 125 voltios.

⚠ PRECAUCIÓN:

NO USE un cable de extensión con ninguno de los modelos de 230/208 voltios



USO DE ENCHUFES ADAPTADORES—Modelos de 115 voltios solamente

Debido al potencial de riesgos de seguridad bajo ciertas condiciones, enérgicamente recomendamos contra el uso de enchufes adaptadores.

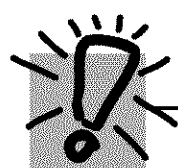
Sin embargo, si usted se ve en la necesidad de usar un adaptador, donde los códigos legales locales lo permitan, puede hacer una **conexión temporal** a un interruptor de 2 tomas siempre que se use un tomacorriente listado bajo UL disponible en la mayoría de las ferreterías.

La ranura mayor en el adaptador debe estar alineada con la púa mayor en la pared para proporcionar una polaridad apropiada en la conexión del cable eléctrico.

Cuando se disponga a desconectar el cable eléctrico del adaptador, siempre sostenga el adaptador en su lugar con una mano mientras tira del cable eléctrico con la otra mano. Si no hace esto, la terminal de tierra del adaptador podría romperse después de que este proceso se repita varias veces.

Si se rompe el terminal de conexión a tierra del adaptador, **NO USE** el acondicionador de aire hasta que la conexión a tierra se haya restablecido.

Unir el terminal de conexión a tierra del adaptador a un tornillo de la cubierta en la pared no conecta a tierra el electrodoméstico apropiadamente a no ser que el tornillo de la cubierta sea metálico y no esté aislado, y el tomacorriente de la casa esté apropiadamente conectado a tierra a través del cableado de la casa. Haga que un técnico calificado inspeccione el circuito de la casa para cerciorarse que está conectado a tierra apropiadamente.

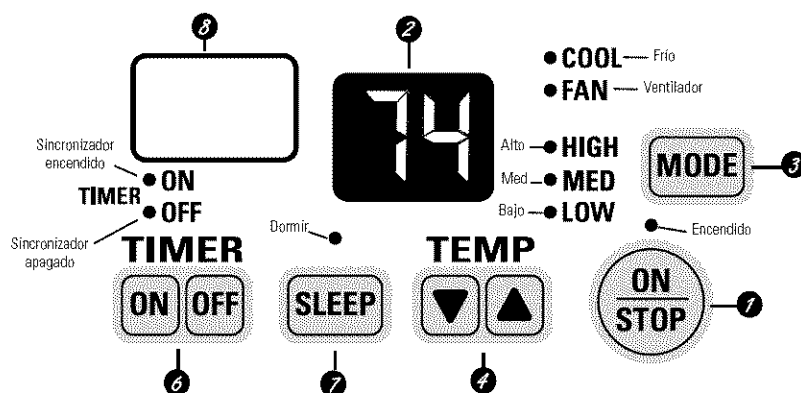


LEA Y SIGA ESTAS INSTRUCCIONES DE SEGURIDAD CUIDADOSAMENTE.

GUARDE ESTAS INSTRUCCIONES

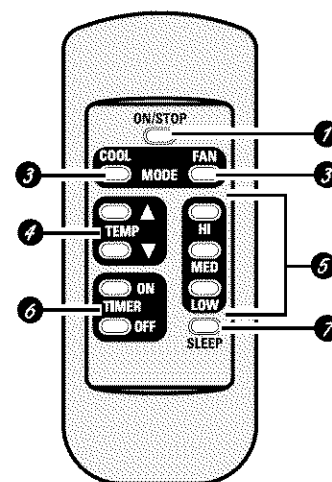
Acerca de los controles en el acondicionador de aire—modelos con teclas de toque.

La apariencia podría variar.



Controles del acondicionador de aire

Las luces al lado de las teclas de toque en el panel de control del acondicionador de aire indican el nivel seleccionado.



Control remoto

Cuando el acondicionador de aire está encendido, se encenderá automáticamente en el último nivel establecido.



Controles

- 1 ON/PARAR**
Apaga y prende el acondicionador de aire.
- 2 Pantalla**
- 3 MODO**
En el control remoto, usado para ajustar el acondicionador de aire al modo **COOL (FRÍO)** o **FAN (VENTILADOR)**.
En los controles del acondicionador de aire, usado para ajustar en **COOL (FRÍO)** o en modo **FAN** en **HIGH (ALTO)**, **MED (medio)** o **LOW (bajo)** para la velocidad del ventilador. Las luces indicadoras en los controles del acondicionador de aire mostrarán el modo y la velocidad del ventilador seleccionados.
- 4 TEMP Teclas de Aumentar ▲/Reducir ▼**
Usado para ajustar la temperatura cuando esté en el modo **COOL**.
- 5 Velocidades del Ventilador (Control remoto únicamente)**
Usado para ajustar la velocidad del ventilador a **LOW (BAJO)**, **MED** o **HIGH (ALTO)**.
- 6 TIMER (SINCRONIZADOR)**
ON (ENCENDIDO)—Cuando el acondicionador de aire está apagado, puede ajustarse para que se encienda automáticamente media hora hasta 24 horas a su nivel anterior. Con cada presión se fijará la hora en periodos de media

hora hasta 10 y luego en periodos de una hora hasta 24.

Para cancelar (CL) la función **ON TIMER** presione el botón **ON** nuevamente.

OFF (APAGADO)—Cuando el acondicionador de aire está encendido, se puede programar automáticamente para apagarse dentro de un periodo desde media hora hasta 24 horas. Con cada presión se fijará la hora en periodos de media hora hasta 10 y luego en periodos de una hora hasta 24.

Para cancelar (CL) la función **OFF TIMER** presione el botón **OFF** nuevamente.

Para cancelar el sincronizador, presione las teclas **ON** o **OFF** hasta que el tiempo en la pantalla desaparezca.

- 7 SLEEP (DORMIR)**
Presione para que el acondicionador de aire funcione por 8 horas antes de regresar a la selección anterior automáticamente. Cuando el sincronizador para dormir haya sido ajustado, la temperatura seleccionada aumentará automáticamente 2° F después de la primera hora, luego 1° F cada hora en las próximas dos horas.

Para cancelar el modo de dormir, presione la tecla **MODE (MODO)** o la tecla **SLEEP (DORMIR)** una segunda vez.

- 8 Receptor de la señal del control remoto**

Control remoto

- Para garantizar una operación apropiada, oriente el control remoto hacia el receptor de señal del acondicionador de aire.
- El receptor de señal tiene un rango máximo de 21 pies.
- Cerciórese de que no haya nada entre el acondicionador de aire y el control remoto que pueda bloquear la señal.
- Cerciórese de que las baterías sean nuevas y se instalen correctamente—ver la Sección de *Cuidado y Limpieza*.

MODO COOL (FRÍO)

Control remoto

1. Presione el botón **COOL**.
2. Presione los botones **LOW (bajo)**, **MED (medio)** o **HI (alto)** para establecer la velocidad deseada del ventilador.
3. Presione las teclas de **INCREASE ▲ (AUMENTAR)/ DECREASE ▼ (REDUCIR)** para ajustar la temperatura deseada (60° F a 85° F) en incrementos de 1° F.

Panel de control

1. Presione el botón **MODE** hasta que la luz indicadora **COOL** se ilumine y la luz indicadora **LOW**, **MED** o **HI** esté iluminada para la velocidad deseada del ventilador.
2. Presione los botones **INCREASE ▲ / DECREASE ▼** para ajustar la temperatura deseada (60° F a 85° F) en incrementos de 1° F.

Se usa un termostato para mantener la temperatura de la habitación. El compresor hará ciclo entre apagado y encendido para mantener la habitación a la temperatura deseada. Ajuste el termostato a un número menor y el aire

interno se enfriará más. Si lo ajusta a un número mayor, la temperatura del aire interno se calentará más.

NOTA: Si el acondicionador de aire está apagado y luego se enciende mientras está en **COOL (FRÍO)**, tomará aproximadamente 3 minutos para que el compresor comience a enfriar otra vez.

Descripciones de enfriamiento

Para enfriamiento normal—Seleccione el modo de ventilador **COOL (FRÍO)** y **HIGH (ALTO)** o **MED (MEDIO)** con una temperatura de ajuste media.

Para enfriamiento máximo—Seleccione el modo de ventilador **COOL** y **HIGH (ALTO)** con una temperatura de ajuste menor.

Para enfriamiento silencioso y enfriamiento nocturno—Seleccione el modo de ventilador **COOL** y **LOW (BAJO)** con una temperatura de ajuste media.

NOTA: Si cambia de un ajuste **COOL (FRÍO)** a **OFF (APAGADO)** o a un ajuste de ventilador, espere aproximadamente 3 minutos antes de cambiar otra vez al ajuste de **COOL (FRÍO)**.

Interruptor del ventilador

El interruptor del ventilador está localizado detrás de la rejilla delantera en la caja de control. Logre acceso a él a través de un agujero dentro del panel de control.

Cuando se fija en **CYCLE** (abajo) el ventilador inicia el ciclo de encendido y apagado.

Cuando se fija en **CONT** (continuo, arriba) el ventilador opera todo el tiempo ofreciendo una temperatura más balanceada. La unidad se envía de fábrica con la posición **CONT**.

MODO FAN (Ventilador)

Use el **MODO FAN (Ventilador)** para proporcionar circulación de aire y filtración sin enfriamiento. Debido a que los niveles de ventilador únicamente no proporcionan enfriamiento, el nivel de temperatura no se muestra en la pantalla.

Control remoto

Presione el botón **FAN**. Presione los botones **LOW**, **MED** o **HI** para establecer la velocidad deseada del ventilador.

Panel de control

Presione el botón **MODE** hasta que la luz indicadora del ventilador (**FAN**) se ilumine y la luz indicadora **LOW**, **MED** o **HI** se ilumine para la velocidad del ventilador deseada.

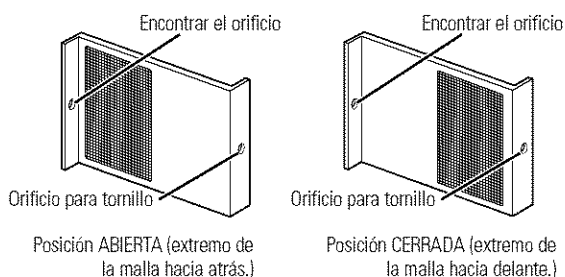
Control del escape

El control del escape se encuentra ubicado detrás de la rejilla delantera en el lado derecho del área de descarga de aire. Cuando se fija en **CLOSE**, únicamente el aire al interior del cuarto se circulará y condicionará. Cuando se establezca en **OPEN**, se liberará por el tubo de escape cierta cantidad de aire hacia el exterior.

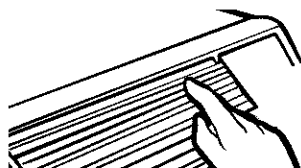
Para abrir o cerrar el escape:

1. Retire la rejilla delantera.
2. Retire el tornillo de la tarjeta del ventilador.
3. Retire la tarjeta del ventilador, voltee y reemplace localizando el orificio posterior en la tarjeta sobre la pata de localización al interior de la descarga de aire y volviendo a colocar el tornillo al frente.

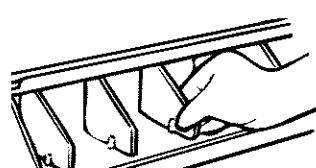
La unidad sale de fábrica en la posición CERRADA.



Dirección del aire



Unas persianas horizontales en la rejilla delantera le permiten controlar la dirección del aire hacia arriba y hacia abajo.



Retire la rejilla delantera para ajustar las persianas verticales de lado a lado para dirigir el aire hacia la izquierda o la derecha.

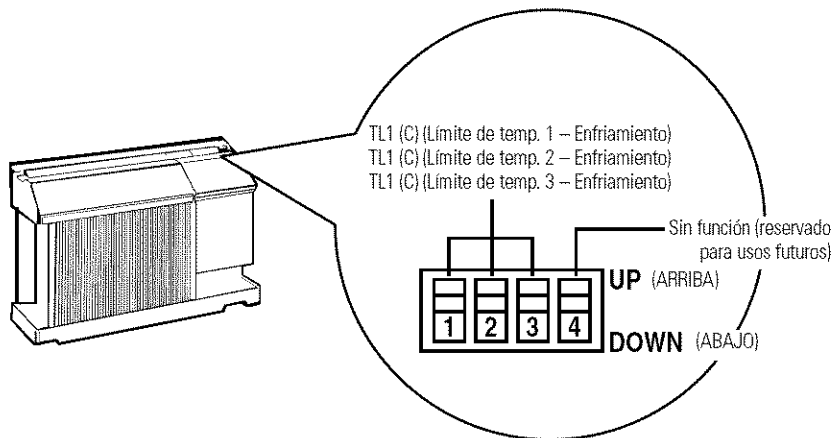
Acerca de los controles en el acondicionador de aire— modelos con teclas de toque.

Controles auxiliares—Limitación de temperatura

Para alcanzar los controles auxiliares remueva la parrilla frontal. Logre acceso a ellos a través de la pequeña abertura rectangular encima del panel de control.

La limitación de temperatura puede reducir los costos de energía limitando las temperaturas más bajas que se puedan seleccionar para el enfriamiento.

El límite de temperatura está controlado por los interruptores del 1 al 3 de los controles auxiliares.



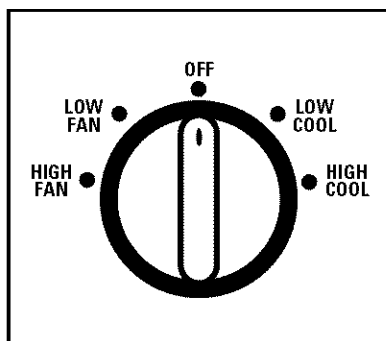
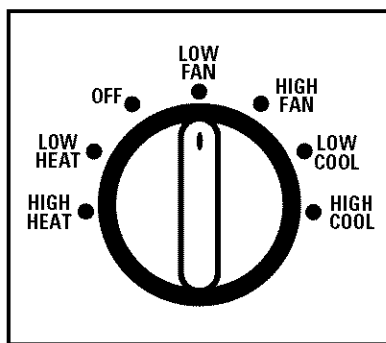
Limitación de la temperatura durante el Modo de enfriamiento (todas las temperaturas mostradas en °F)			
ARRIBA	ABAJO	Mínimo	Máximo
NINGUNO	1, 2, 3	60°	85°
1	2, 3	64°	85°
1, 2	3	66°	85°
2	1, 3	68°	85°
2,3	1	70°	85°
1, 2, 3	NINGUNO	72°	85°
1, 3	2	74°	85°
3	1, 2	76°	85°



A series of horizontal lines for taking notes, starting from the header line and continuing down the page.

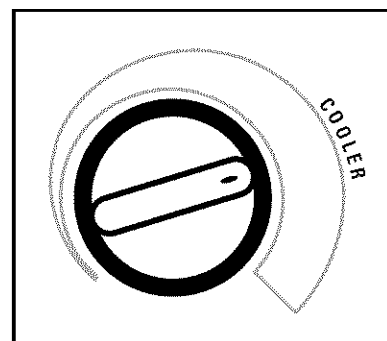
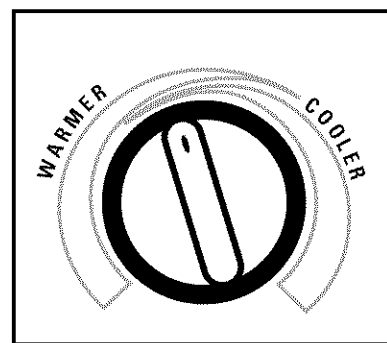
<i>Seguridad</i>
<i>Operación</i>
<i>Cuidado y limpieza</i>
<i>Instalación</i>
<i>Solucionar problemas</i>
<i>Apoyo al consumidor</i>

Sobre los controles del acondicionador de aire— modelos con botones de control.



CONTROL DE MODO

1



CONTROL DE LA TEMPERATURA

2



Controles

- 1 Control de Modo**
Los niveles **HIGH COOL** y **LOW COOL** enfrían con diferentes velocidades del ventilador.

HIGH HEAT y **LOW HEAT** calientan con diferentes velocidades del ventilador.

LOW FAN o **HIGH FAN** hacen circular el aire y filtran sin enfriar o calentar.

NOTA: Si mueve el interruptor de una posición de frío o calor a apagado o a una posición del ventilador, espere al menos 3 minutos antes de regresarlo a un nivel de frío o calor. En los modelos con bomba de Calor/Frío y Calor se ofrece un retraso de 3 minutos.

Descripciones de enfriamiento

Para enfriamiento o calefacción normal – Seleccione **HIGH COOL** o **HIGH HEAT** con el termostato en el punto medio.

Para enfriamiento máximo – Seleccione **HIGH COOL** con el termostato en el nivel de enfriamiento máximo.

Para calefacción máxima – Seleccione **HIGH HEAT** con el termostato en el nivel máximo de calefacción.

Para enfriamiento silencioso y enfriamiento nocturno – Seleccione **LOW COOL** con el termostato en el punto medio.

- 2 Control de la temperatura**
El control de la temperatura se usa para mantener la temperatura de la habitación. El compresor hará un ciclo de encendido y apagado para mantener el salón al mismo nivel de temperatura. Cuando gire el botón a **COOLER** (azul) el aire interior se volverá más frío. Gire el botón a **WARMER** (rojo) y el aire interior se volverá más caliente.

Modelos con bomba de calor

Cuando la temperatura en el exterior es inferior a 25° F., el calentador eléctrico brinda calor en el acondicionador de aire en vez de hacerlo mediante la bomba de calor.

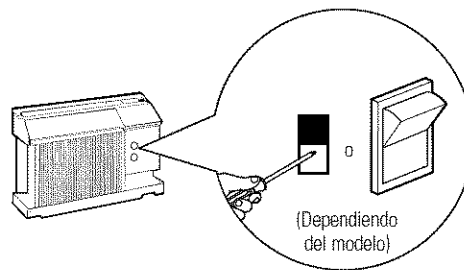
NOTA: El calentador de resistencia eléctrica en el modelo de bomba de calor de 115 voltios opera durante la descongelación cuando la temperatura de la bobina exterior es inferior a 36° F. No tiene la intención de ofrecer una capacidad de calor completa.

Interruptor del ventilador

Para alcanzar el interruptor del ventilador(es) remueva la parrilla frontal.

En los modelos de **Calentamiento/Enfriamiento y de Bomba de calentamiento**, las palancas del interruptor del ventilador están localizadas en un agujero al que se tiene acceso a través de la caja de control. El interruptor superior es para opciones de enfriamiento (**COOL**) y el del fondo es para opciones de calentamiento (**HEAT**). Use un pequeño destornillador para cambiar el ajuste. La unidad es enviada de la factoría ya ajustada en la función **CONT** para **COOL** (enfriamiento) y en **CYCLE** para **HEAT** (calentamiento).

Los modelos **solamente de enfriamiento** tienen un interruptor de balancín en el frente de la caja de control.

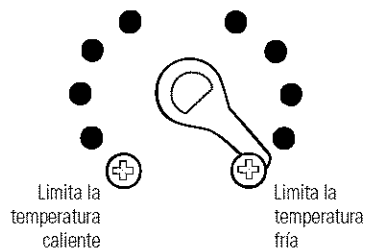


Cuando se coloca en **CYCLE** (hacia abajo) el ventilador inicia el ciclo de encendido y apagado al enfriar. En la posición **CONT** (continuo, arriba) el ventilador opera todo el tiempo, ofreciendo una temperatura más balanceada. La unidad se envía desde la fábrica en la posición **CONT**.

Límite de la temperatura

Limitar los niveles máximo y mínimo evita que los usuarios giren los controles a las posiciones extremas de calor o frío.

El rango normal del control de la temperatura es aproximadamente 60° F a 85° F. El rango del control se puede reducir usando los tornillos que limitan la temperatura ubicados detrás del panel de control.



Cada posición es equivalente aproximadamente a 3° F.

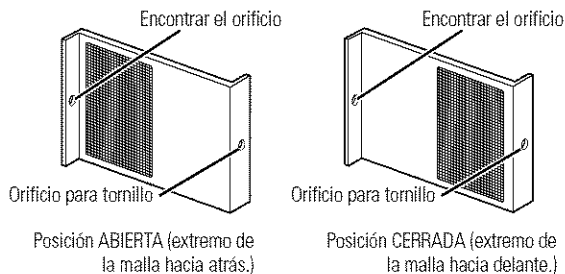
Control del escape

El control del escape se encuentra ubicado detrás de la rejilla delantera en el lado derecho del área de descarga de aire. Cuando se fija en **CLOSE**, únicamente el aire al interior del cuarto se circulará y condicionará. Cuando se establece en **OPEN**, se liberará por el tubo de escape cierta cantidad de aire hacia el exterior.

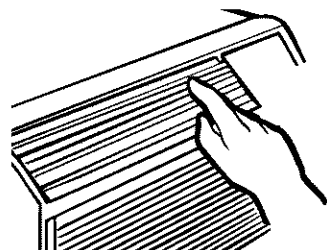
Para abrir o cerrar el escape:

1. Retire la rejilla delantera.
2. Retire el tornillo de la tarjeta del ventilador.
3. Retire la tarjeta del ventilador, voltee y reemplace localizando el orificio posterior en la tarjeta sobre la pata de localización al interior de la descarga de aire y volviendo a colocar el tornillo al frente.

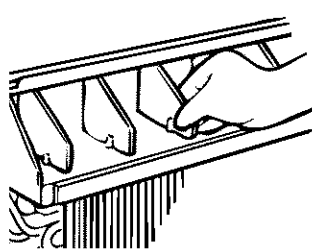
La unidad sale de fábrica en la posición CERRADA.



Dirección del aire



Unas persianas horizontales en la rejilla delantera le permiten controlar la dirección del aire hacia arriba y hacia abajo.



Retire la rejilla delantera para ajustar las persianas verticales de lado a lado para dirigir el aire hacia la izquierda o la derecha.

Cuidado y limpieza del acondicionador de aire.

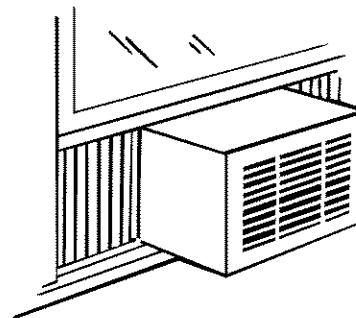
Rejilla y caja

Apague el acondicionador de aire y retire el enchufe de la toma corriente antes de limpiar.

Para limpiar, use agua y un detergente suave. No use blanqueador o abrasivos.

Bobinas exteriores

Los resortes en el lado exterior del acondicionador de aire deben revisarse con frecuencia. Si están obstruidos con suciedad u hollín se pueden limpiar profesionalmente a través del servicio disponible en su centro de servicios GE.



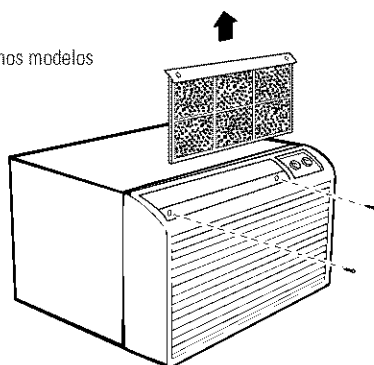
Rejilla delantera

Es posible retirar la rejilla delantera para una limpieza más profunda o para tener acceso a los números de serie y modelo.

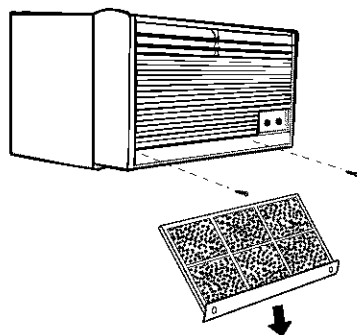
Para retirar:

1. Hale el filtro hacia arriba.
2. Retire los dos tornillos de la rejilla.

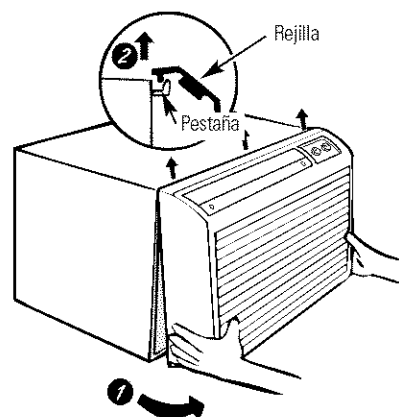
En algunos modelos



En algunos modelos



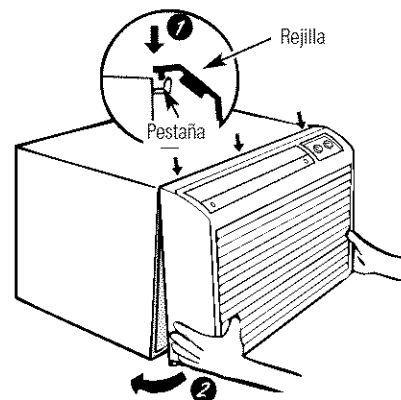
3. Hale la rejilla por abajo y levante por las pestañas en la parte superior de la caja.



Para reemplazar:

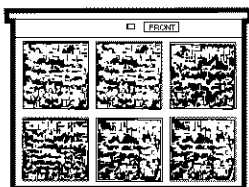
Enganche las pestañas en la rejilla delantera al mismo nivel con las pestañas al frente de la caja y encaje en su lugar.

Reemplace los tornillos y el filtro.

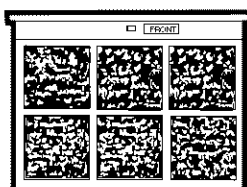


Para mantener un desempeño óptimo, limpie el filtro al menos cada 30 días.

Filtro de aire



Filtro sucio – necesita limpieza



Filtro obstruido – reduce en gran parte el enfriamiento, la calefacción y el flujo del aire.

Apague el acondicionador de aire antes de limpiar.

Lo más importante que puede hacer para mantener el acondicionador de aire es limpiar el filtro como mínimo cada 30 días. Un filtro obstruido reduce el enfriamiento, la calefacción y el flujo del aire.

Mantener el filtro del aire limpio:

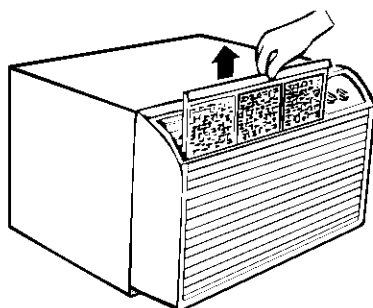
- Disminuye el costo de operación.
- Ahorra energía.
- Evita la obstrucción de las bobinas de intercambio de calefacción.
- Reduce el riesgo de falla prematura de los componentes.

Para limpiar los filtros del aire:

- aspire la suciedad pesada.
- Deje correr agua a través de los filtros.
- Seque por completo antes de reemplazar.

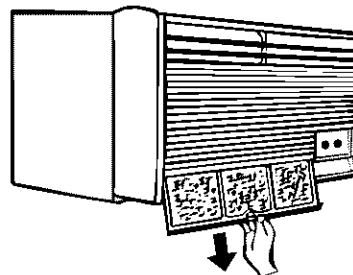
Para retirar el filtro de aire, en algunos modelos:

Cuidadosamente hale la pestaña hacia delante, arriba y afuera.



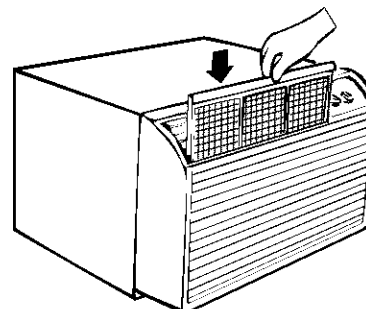
Para retirar el filtro de aire, en otros modelos:

Hálolo hacia abajo.



Para reemplazar el filtro del aire

Reemplace el filtro limpio empujándolo de nuevo en su lugar.



⚠ PRECAUCIÓN: No opere el acondicionador de aire sin el filtro en su lugar. Si un filtro se rompe o se daña se debe reemplazar de inmediato.

Operar sin el filtro en su lugar o con un filtro dañado permite que la suciedad y el polvo lleguen a la bobina interior y reduce el enfriamiento, la calefacción, el flujo del aire y la eficacia de la unidad.

Los filtros de reemplazo están disponibles a través de su concesionario GE, centro de servicios y partes de GE o de los técnicos de servicio al cliente (Customer Care®).

Cómo insertar las baterías


- 1 Retire la cubierta de la batería deslizándola de acuerdo con la dirección de la flecha.
- 2 Inserte baterías nuevas cerciorándose de que los polos positivos (+) y negativos (-) están orientados correctamente.
- 3 Coloque la cubierta otra vez deslizándola en su lugar.

NOTAS:

- Use 2 baterías "AAA" de 1.5 voltios. No use baterías recargables.
- Retire las baterías del control remoto si no va a usar el sistema por un período prolongado.

Instrucciones de instalación

Acondicionadores de Aire

 ¿Preguntas? Llame al 800.GE.CARES (800.432.2737) o bien visite nuestra página Web: ge.com



ANTES DE INICIAR

Lea estas instrucciones completa y cuidadosamente.

- **IMPORTANTE** — Guarde estas instrucciones para uso del inspector local.
- **IMPORTANTE** — Observe todos los códigos y órdenes de ley.
- **Nota al instalador** – Asegúrese de dejar estas instrucciones con el consumidor.
- **Nota al consumidor** – Conserve estas instrucciones para referencia futura.
- **Nivel de destreza** – La instalación de este aparato requiere de destrezas mecánicas básicas.
- **Tiempo de ejecución** – Aprox. 1 hora
- Recomendamos dos personas para la instalación de este producto.
- La instalación apropiada es la responsabilidad del instalador.
- La falla del producto debido a una instalación inadecuada no está cubierta por la garantía



REQUISITOS ELÉCTRICOS



Algunos modelos requieren tomacorrientes de 115/120 voltios de corriente alterna y 60 Hz conectados a tierra, protegidos con un fusible de dilatación de tiempo de 15 amperios o un cortacircuitos.

El enchufe de tres púas con conexión a tierra minimiza la posibilidad de descargas eléctricas. Si el tomacorriente de la pared que usted planea usar solamente tiene 2 tomas, es su responsabilidad hacer que un técnico lo reemplace por uno de tres tomas con conexión a tierra



Algunos modelos requieren 230/208 voltios, de corriente alterna, protegidos por un fusible de dilatación de tiempo o un cortacircuitos. Estos modelos deberían instalarse en un ramal exclusivo del circuito para un rendimiento más notable y para prevenir sobrecargas en los circuitos de cableados de su casa o apartamento, lo cual podría representar un riesgo de incendio por el sobrecalentamiento de los alambres.



Algunos modelos requieren 230/208 voltios, de corriente alterna, protegidos por un fusible de dilatación de tiempo o un cortacircuitos. Estos modelos deberían instalarse en un ramal exclusivo del circuito para un rendimiento más notable y para prevenir sobrecargas en los circuitos de cableados de su casa o apartamento, lo cual podría representar un riesgo de incendio por el sobrecalentamiento de los alambres.

⚠ PRECAUCIÓN:

Bajo ninguna circunstancia corte o remueva la tercera púa (conexión a tierra) del cable eléctrico. No cambie el enchufe en el cable eléctrico de este acondicionador de aire. Los cables caseros de aluminio podrían presentar problemas especiales. Consulte a un técnico electricista calificado.

¡IMPORTANTE! GE recomienda enfáticamente retirar la caja de pared antigua y la instalación de una nueva caja de pared GE. Si decide conservar la caja de pared existente, quizás necesite un kit para asegurar el desempeño adecuado. Si NO usa un kit, corre el riesgo de un desempeño deficiente o la falla del producto, lo cual no está cubierto por los términos de la garantía de GE.

PREGUNTAS SOBRE LA CALIFICACIÓN DEL MODELO J

Los acondicionadores de aire modelo J pueden caber en las cajas de pared existentes. Sin embargo, a menudo necesitan un kit para adaptar correctamente la caja al acondicionador de aire de GE. Responda estas preguntas y consulte la tabla en la siguiente página para el kit adecuado.

- A** ¿Qué marca de acondicionador de aire va a reemplazar?
- B** ¿Cuáles son las dimensiones de la caja de pared actualmente en uso?
- C** ¿Cuál es el número de modelo del chasis actualmente en uso? ¿Cuál es el número de modelo (o tipo) de la caja de pared actualmente en uso?

Con frecuencia, el kit adaptador del modelo J corresponderá a otra serie de modelo de marca o voltaje específico. En estos casos, usted necesita el número de modelo de chasis y/o la caja de pared o el número de "tipo" para confirmar el uso del kit adaptador correcto.

- D** ¿Qué tipo de rejilla exterior se usa con la caja de pared actual?

Puede haber una rejilla arquitectónica unida a una caja de pared para mejorar el aspecto exterior de la edificación. Se pueden usar rejillas a la medida con cajas del modelo J siempre y cuando se use también un kit adaptador modelo J para garantizar el flujo de aire correcto.

Instrucciones para la instalación

Lea estas instrucciones completa y cuidadosamente.

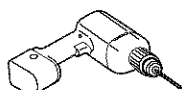
El cable de alimentación puede incluir un dispositivo para interrupción de corriente. Se incluye un botón de prueba y de reinicio en el dispositivo. El dispositivo debe ponerse a prueba periódicamente: primero se presiona el botón de

TEST (prueba) y luego **RESET** (reinicio). Si el botón **TEST** no se dispara o si el botón **RESET** no queda enganchado, deje de utilizar el acondicionador de aire y comuníquese con un técnico calificado.

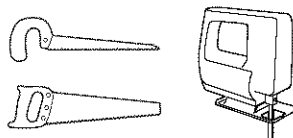
HERRAMIENTAS QUE PODRÍA NECESITAR



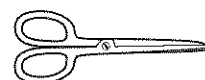
Destornillador de estrella



Talador



Sierra de mano o de vaivén



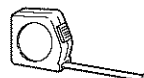
Tijeras o cuchillo



Llave ajustable



Lápiz



Regla o cinta de medir



Nivel

NÚMEROS DE KIT DE GE

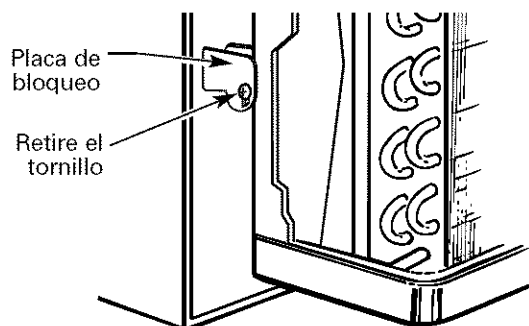
USE EL KIT GE NÚMERO:	PARA:	DESCRIPCIÓN:
RAK56A100	GE RAB13, 14 y 15 (ACLB y RCL chasis)	Se ajusta a todas las cajas de pared de GE de 26" ancho x 18" alto x 24" profundidad
RAK1072	Hotpoint ACXB10 y 11 (chasis ACTB)	Adapta una caja de pared Hotpoint más antigua a un chasis modelo J. Se ajusta a las cajas de pared Hotpoint 25¾" ancho x 16⅞" alto x 18⅝" profundidad
RAK1082	Caja de pared Whirlpool Tipo 23W	Adapta la caja de pared Whirlpool a un chasis modelo J. Se ajusta a cajas de pared Whirlpool de 25⅞" ancho x 16½" alto x 23⅞" profundidad
RAK1102	GE RAB30 (modelos "F")	Adapta la caja de pared GE a un chasis modelo "J". Ajusta la caja de pared RAB 30 de 26" ancho x 18" alto x 24" profundidad
RAK123A64	Caja de pared Fedders "A"	Adapta la caja de pared Fedders a un modelo de chasis J. Ajusta las cajas de pared Fedders de 27" ancho x 16¾" alto x 16¾" profundidad
RAK126	Caja de pared Westinghouse (tipo 2626D73H01)	Adapta la caja de pared Westinghouse a un chasis modelo J. Se ajusta a las cajas de pared Westinghouse de 25⅞" ancho x 15⅞" alto x 16" profundidad
RAB46, 47 & 48	Use estos kits para todas las otras marcas no enumeradas.	Caja de pared estándar para chasis modelo J. Se incluye la rejilla exterior estampada en aluminio RAG13. Retire la caja existente y reemplace.
RAK690	RAB36, 37, 38, 46, 47 ó 48 (Chasis J)	Si une una rejilla arquitectónica a la medida para exteriores, use este kit para garantizar el flujo de aire correcto.
RAG13	RAB36, 37, 38, 46, 47 ó 48 (Chasis J)	Rejilla exterior estándar de aluminio (Incluida con las cajas de pared RAB46, 47 y 48).
RAG14E	RAB36, 37, 38, 46, 47 ó 48 (Chasis J)	Rejilla exterior con persianas arquitectónica

Instrucciones para la instalación

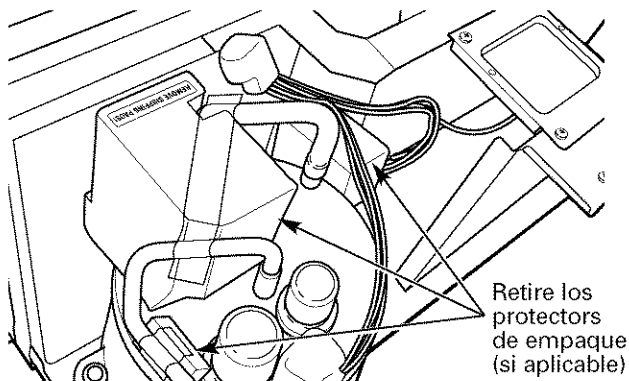
CÓMO INSTALAR UN MODELO J EN UNA CAJA DE PARED EXISTENTE

Lea estas instrucciones completa y cuidadosamente.

1 RETIRE LA PLACA DE BLOQUEO EN EL LADO IZQUIERDO DELANTERO

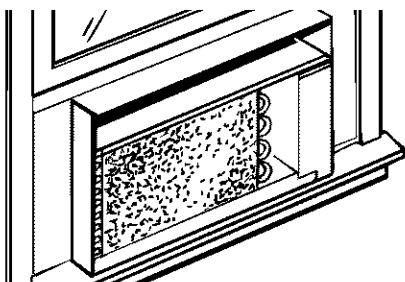


2 RETIRE TODOS LOS PROTECTORES DE EMPAQUE (SI APLICABLE) AL INTERIOR DEL ACONDICIONADOR DE AIRE AL LADO DEL COMPRESOR



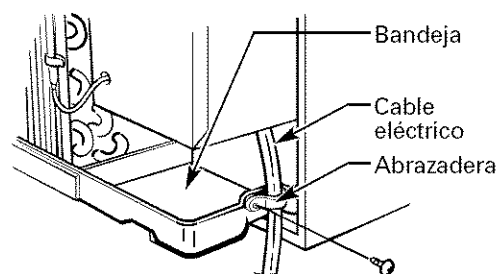
3 CUIDADOSAMENTE DESLICE EL ACONDICIONADOR DE AIRE HACIA ATRÁS EN LA CAJA

Verifique que el tubo en la unidad no toque la caja de pared y que la instalación de la caja sea segura.



4 VUELVA A INSTALAR LA PLACA DE BLOQUEO CON LA PESTAÑA DETRÁS DEL REBORDE DE LA CAJA DE PARED. APRIETE EL TORNILLO

5 UNA EL CABLE ELÉCTRICO A LA BANDEJA CON LA ABRAZADERA



6 UNA LA REJILLA DELANTERA

Una abertura para el cable eléctrico está en la parte de abajo de la rejilla delantera.

Instrucciones para la instalación

CÓMO INSTALAR A TRAVÉS DE LA PARED

Lea estas instrucciones completa y cuidadosamente.

1 PREPARE LA ABERTURA DE LA PARED

Verifique que haya un receptáculo de pared disponible cercano a la ubicación del orificio o disponga la instalación de un receptáculo.

La longitud del cable para los modelos de 115 voltios es 72" hacia la derecha y 47" hacia la izquierda.

Para los modelos de 230/208 voltios la longitud del cable es 65" hacia la derecha y 39" hacia la izquierda.

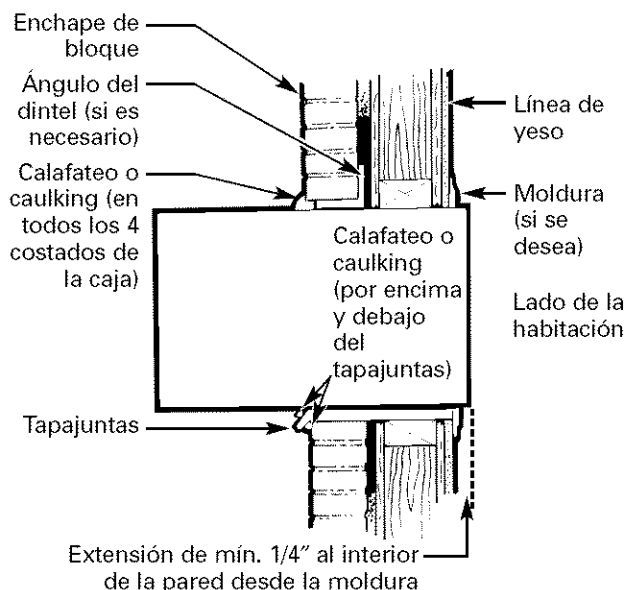
2 REQUISITOS PARA EL APOYO DEL ACONDICIONADOR DE AIRE

La caja de pared del acondicionador de aire se puede instalar con una extensión mínima de 1/4" desde la pared interior o con una extensión mínima de 1/4" desde la pared exterior.

Los costados terminados de la abertura deben ser miembros de paredes estructurales.

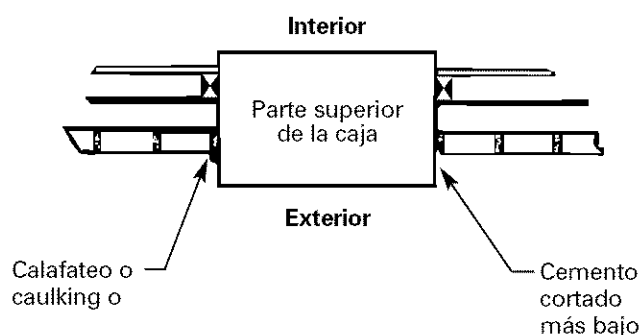
Dintel – Use un dintel en el enchape de ladrillo y en tipos de pared de ladrillo y bloque para apoyar los ladrillos o los bloques por encima de la abertura. No permita que la caja de pared se use como dintel.

Tapajuntas o flashing – Instale tapajuntas como se muestra para evitar que el agua gotee al interior de la pared y hacia abajo al exterior de la construcción.



3 REQUISITOS DE APOYO PARA EL ACONDICIONADOR DE AIRE

El mortero o cemento entre la caja y el ladrillo alrededor de la caja puede cortarse más baja a aproximadamente 45° para mejorar el calafateo.

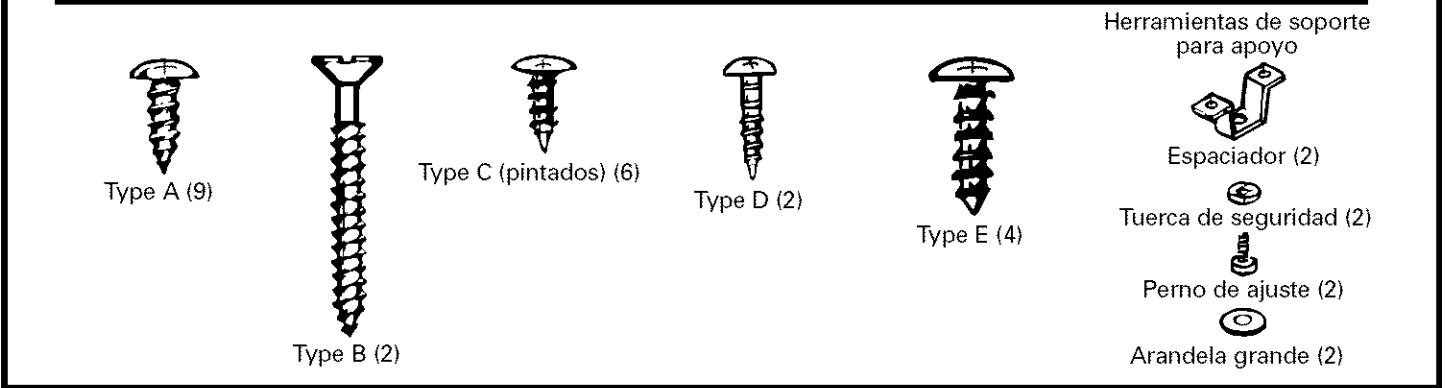
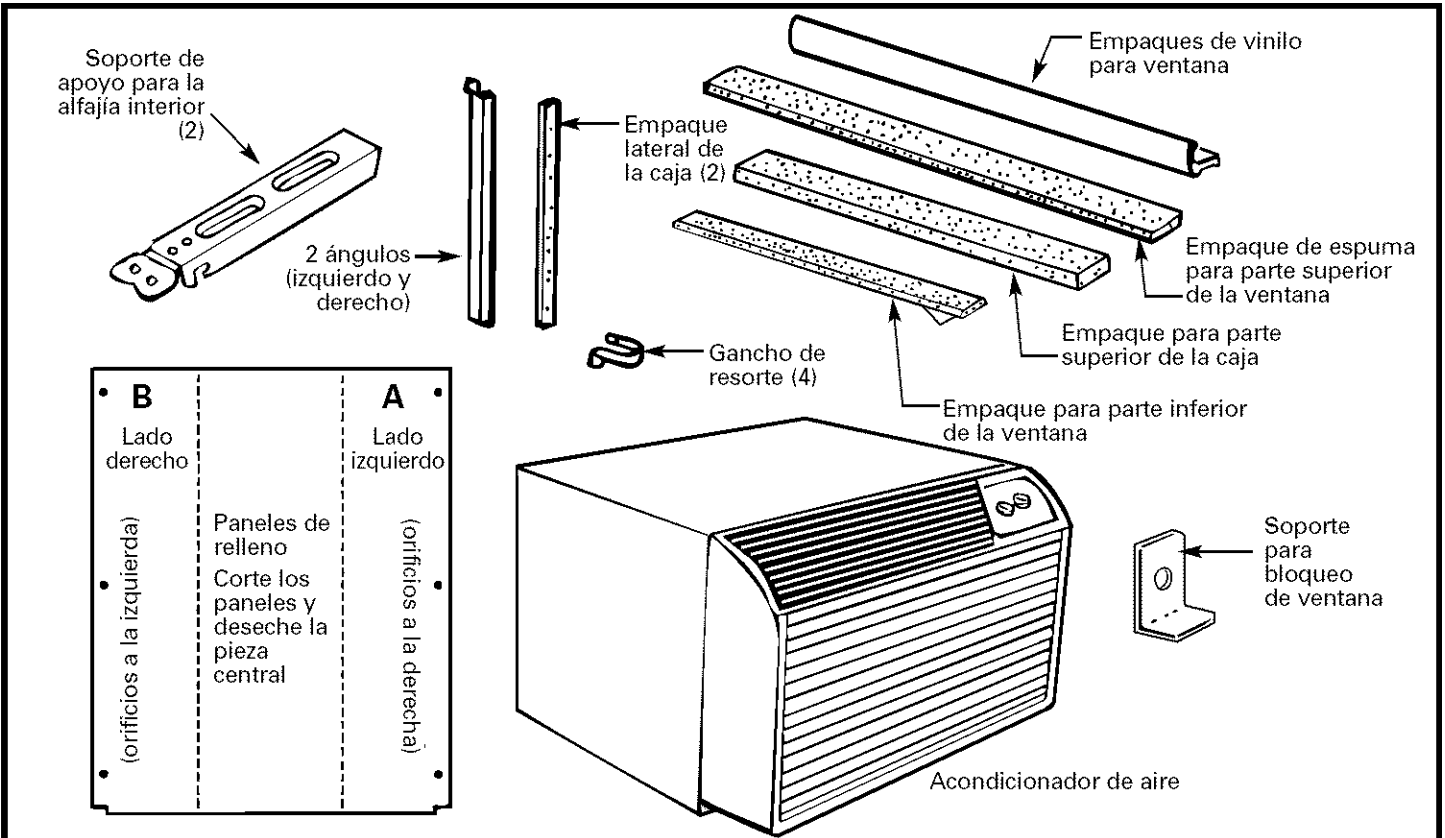


Instrucciones para la instalación

INSTALACIÓN DE VENTANA—OPCIONAL

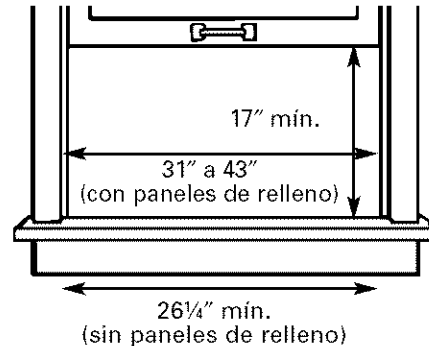
PARA MODELOS AJES06LSC, AJES08ASC, AJES10DSC y AJHS08ASC

Lea estas instrucciones completa y cuidadosamente.



1 REQUISITOS PARA LA VENTANA

- Estas instrucciones son para una ventana estándar tipo guillotina. Necesitará modificarlas para otros tipos de ventanas.
- El acondicionador de aire se puede instalar sin los paneles de acordeón si es necesario para ajustarse a una ventana angosta. Consulte las dimensiones de la abertura de la ventana a la derecha.
- Todas las partes de apoyo se deben asegurar a la madera firme, mampostería o metal.
- El tomacorriente debe estar al alcance del cable eléctrico.

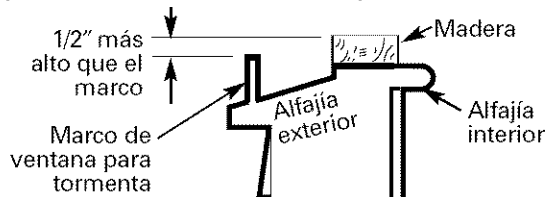


Las dimensiones de la abertura de la ventana son para una ventana estándar tipo guillotina.

Instrucciones para la instalación

2 REQUISITOS DE VENTANA PARA TORMENTA

Un marco de ventana para tormenta no permitirá que el acondicionador de aire se incline hacia fuera e impedirá que se drene correctamente. Para ajustarla, agregue un pedazo de madera a la alfajía exterior.



PIEZAS DE MADERA:

ESPESOR: 2"

LONGITUD: Suficiente longitud para ajustarse al interior del marco de la ventana.

ESPESOR: Para determinar el espesor, coloque un pedazo de madera en la alfajía exterior para hacerla 1/2" más alta que la superficie del marco de la ventana para tormenta.

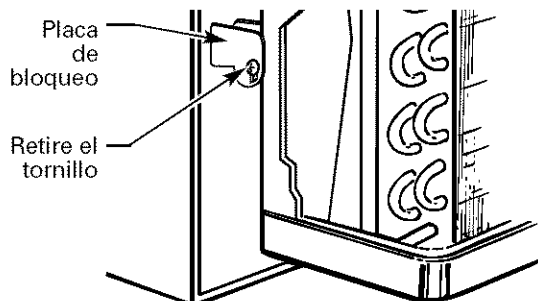
Sujete firmemente con clavos o tornillos que suministra el instalador.

3 RETIRE EL ACONDICIONADOR DE AIRE DE LA CAJA

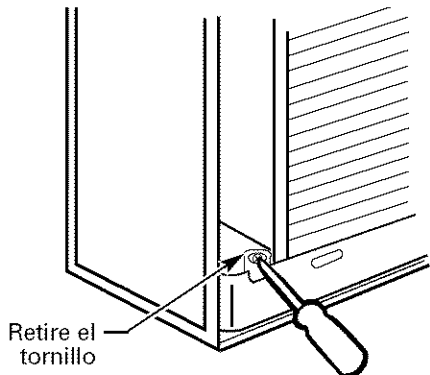
A Retire la rejilla delantera. Consulte la sección Cuidado y limpieza.

B Encuentre la placa de bloqueo que se encuentra en el costado izquierdo delantero.

C Retire el tornillo y la placa de bloqueo para liberar el acondicionador de aire.

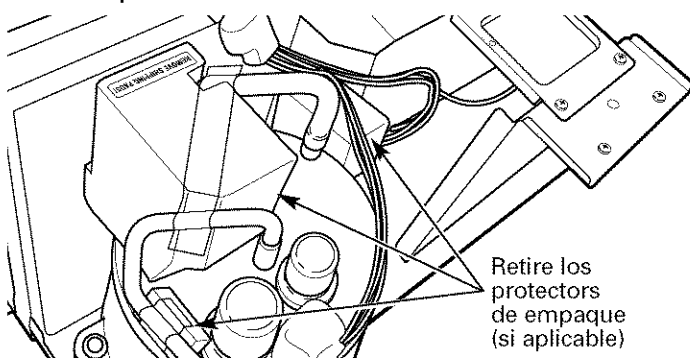


D Retire y deseche el tornillo de envío en la parte posterior del acondicionador de aire para retirar el acondicionador de aire de la caja.



E Hale las esquinas de la parte inferior del acondicionador de aire y deslice hacia fuera de la caja.

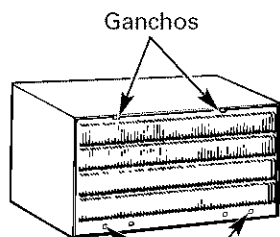
F Retire todos los protectores de envío (si aplicable) al interior del acondicionador de aire al lado del compresor.



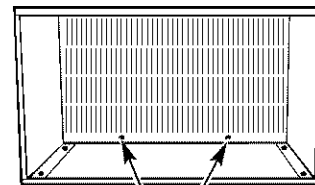
G Retire la rejilla posterior que está pegada a la parte posterior de la caja. Retire el paquete de tornillos que está pegado en la parte posterior de la rejilla. Mientras sostiene la rejilla en un ángulo de 45°, insértela en los ganchos en la parte superior de la caja y empuje la parte de abajo hacia adentro. Mantenga una presión ligeramente hacia arriba sobre la rejilla hasta que esté nivelada con la parte de abajo de la caja.

Si está instalando la rejilla desde el exterior de la caja, use dos tornillos largos.

Si está instalando la rejilla desde el interior de la caja, use dos tornillos cortos.



Inserte los dos tornillos largos en el exterior



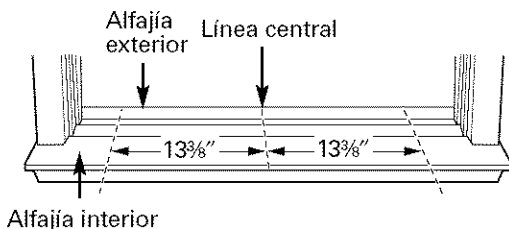
Inserte los dos tornillos cortos en el interior

Instrucciones para la instalación

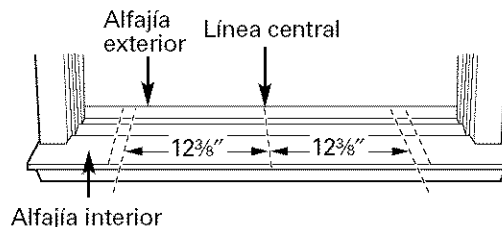
INSTALACIÓN EN UNA VENTANA—OPCIONAL (cont.)

4 PREPARE LA VENTANA

A Marque la línea central de la alfajía interior. Mida desde la línea central $13\frac{3}{8}$ " en ambos lados para los cortes de los paneles.

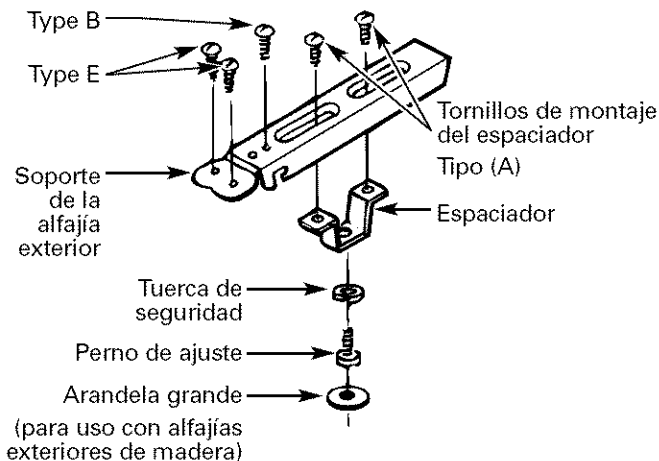


B Mida $12\frac{3}{8}$ " desde la línea central en ambos lados para los soportes de apoyo de la alfajía exterior.

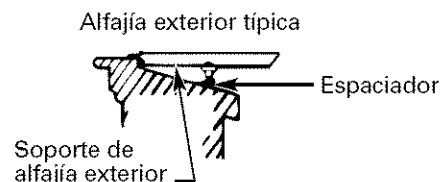


5 INSTALE LOS SOPORTES DE LA ALFAJÍA EXTERIOR

A Arme los soportes de la alfajía exterior. No apriete por completo los tornillos de montaje del espaciador en este momento.



C Gire los pernos y apriete las tuercas de seguridad para nivelar los soportes de la alfajía exterior o inclinar $1/8$ " hacia en exterior. Alinee hasta la muesca en V con las marcas de $12\frac{3}{8}$ ". Perfore orificios piloto y una los soportes de la alfajía exterior.



Alfajía exterior angosta

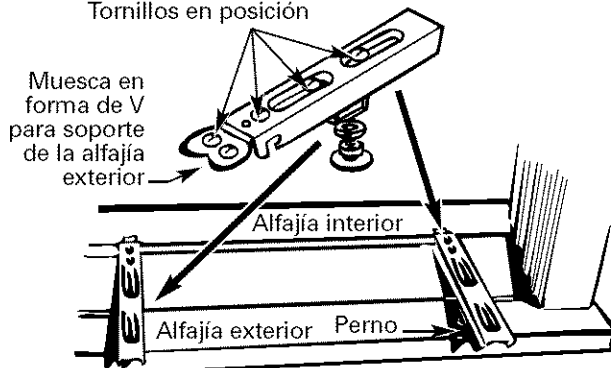


Alfajía exterior desnivelada (como en ladrillo o piedra)



B Antes de unir los soportes de la alfajía exterior, colóquelos en la alfajía interior de la ventana. Seleccione la posición del espaciador cerca del punto más externo de la alfajía exterior. Apriete los tornillos de montaje del espaciador.

Tornillos en posición



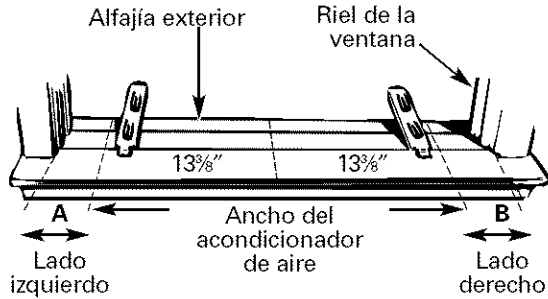
NOTAS:

- En alfajías exteriores angostas, es posible que no haya suficiente espacio para usar la tuerca de seguridad.
- Una alfajía exterior con desnivel profundo va a requerir un perno de ajuste más largo que el perno de cabeza hexagonal estándar que se suministra.
- En alfajías exteriores de madera, use la arandela grande entre la cabeza del perno y la alfajía exterior. Esto evita que el perno se entierre en la madera.

Instrucciones para la instalación

6 MIDA, CORTE E INSTALE LOS PANELES DE RELLENO

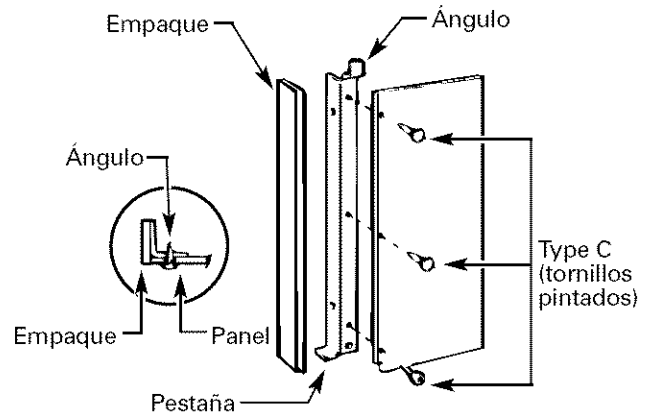
A Mida desde el borde de las marcas de los paneles (ver Prepare la ventana) hacia el interior del riel de la ventana en cada lado. (A y B)



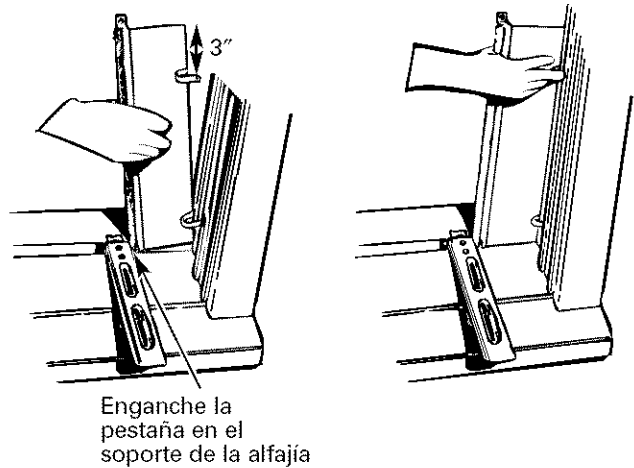
B Marque las medidas A y B en cada lado de la placa del panel de relleno. Corte los paneles y deseche la pieza del centro. Observe la posición de las muescas.

• B		• A •
Lado derecho		Lado izquierdo
(orificios a la izquierda)	Paneles de relleno	(orificios a la derecha)
	Corte los paneles y deseche la pieza del centro	

C Una las armazones de los paneles. Retire el protector de papel del empaque lateral de la caja y péguelo al ángulo. Con la punta de un lápiz empuje a través de los empaques para encontrar los orificios en los ángulos.



D Instale los paneles en la ventana. Coloque los ganchos de resorte a 3" de la parte superior y la parte inferior. Apriete y empuje los ganchos para que encajen en el riel de la ventana y la pestaña en el soporte de la alfajía exterior.



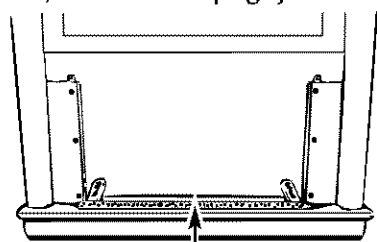
Instrucciones para la instalación

INSTALACIÓN EN UNA VENTANA—OPCIONAL (cont.)

7 INSTALE LA CAJA EN LA VENTANA

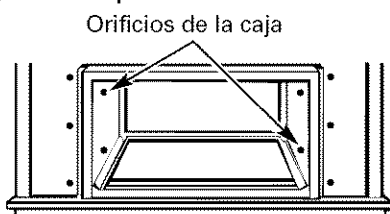
A Pele la protección del empaque para la parte inferior de la ventana.

B Coloque el empaque en la alfajía interior sobre los soportes, al mismo nivel del borde posterior, con el lado pegajoso hacia abajo.



Empaque para la parte inferior de la ventana

C Cuidadosamente deslice la caja vacía hacia la ventana hasta que los orificios en la caja estén alineados con los orificios en los ángulos del panel.

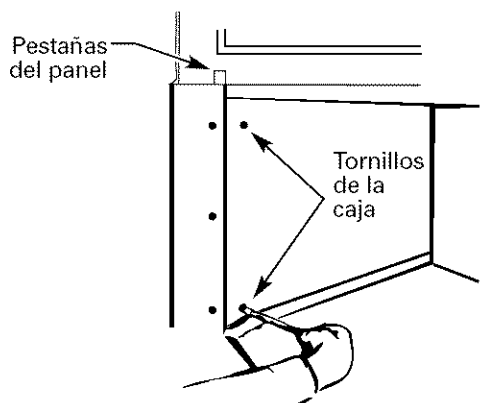


Orificios de la caja

NOTAS:

- La caja debe tener una inclinación mínima de 1/8" hacia el exterior.
- Cerciórese de que el empaque sellante y los empaques del panel permanezcan en posición y no se enrollen con la caja.

D Baje la ventana de manera que se ajuste detrás de las pestañas del panel. Inserte los cuatro tornillos tipo A a través de los orificios en la caja y en los ángulos del panel, 2 en cada lado.



Pestañas del panel

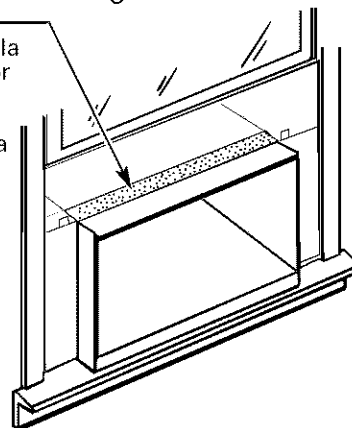
Tornillos de la caja

E Con la ventana cerrada, marque dónde el marco de la ventana se encuentra con la caja.

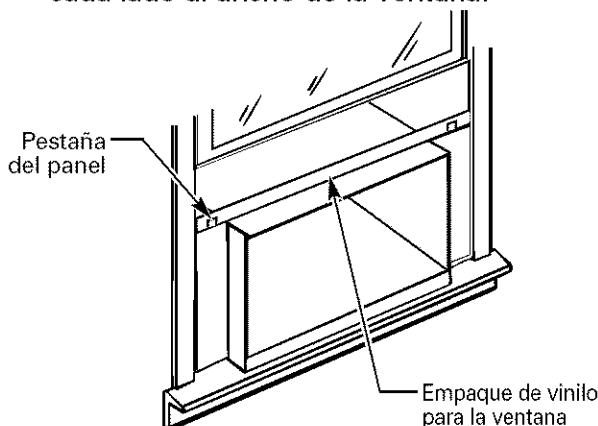
F Pele el respaldo del empaque para la parte superior de la caja.

G Sostenga la caja, abra la ventana y coloque el empaque a lo largo de la marca de la caja.

Coloque el empaque en la parte superior de la caja donde la ventana se va a cerrar.



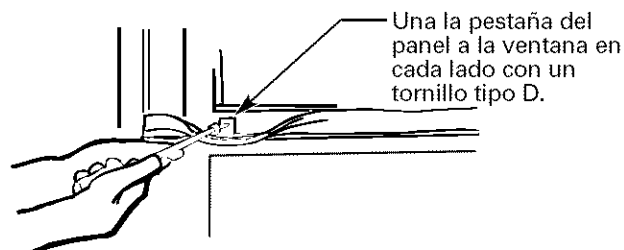
H Coloque el empaque de vinilo para la ventana encima del empaque para la parte superior de la caja. Inserte las pestañas del panel a través de los cortes en el empaque. Corte el empaque en cada lado al ancho de la ventana.



Pestaña del panel

Empaque de vinilo para la ventana

I Cierre la ventana firmemente sobre el empaque de vinilo. Doble el empaque hacia delante para exponer las pestañas del panel. Perfore orificios piloto en el marco de la ventana.



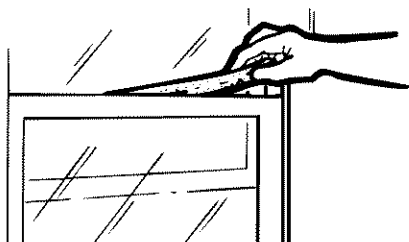
Una la pestaña del panel a la ventana en cada lado con un tornillo tipo D.

Instrucciones para la instalación

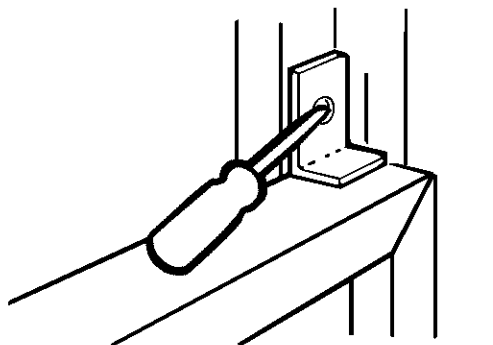
8 INSTALE EL EMPAQUE PARA LA VENTANA Y EL SOPORTE DE BLOQUEO

A Corte el empaque de espuma para la parte superior de la ventana al ancho de la ventana.

B Rellene la espuma entre el vidrio y la ventana para evitar que el aire y los insectos entren en la habitación.

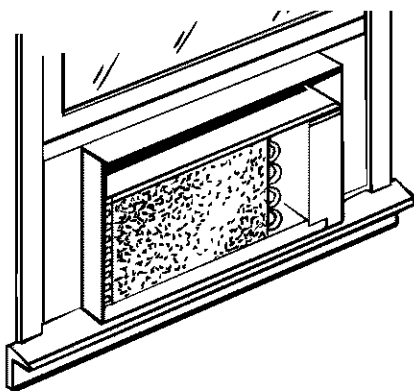


C Una el soporte de bloqueo de la ventana con un tornillo tipo E.

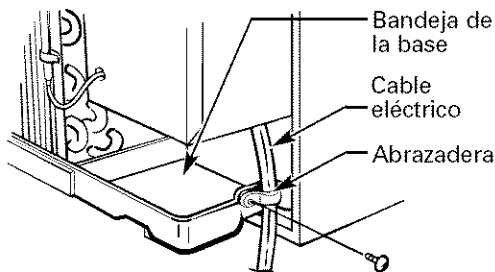


9 REEMPLACE EL ACONDICIONADOR DE AIRE EN LA CAJA

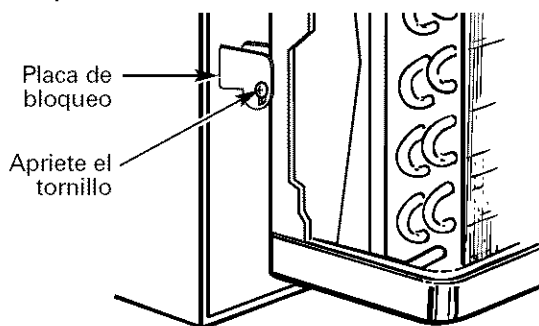
A Cuidadosamente deslice el acondicionador de aire de nuevo hacia la caja.



B Una el cable eléctrico a la bandeja de la base con la abrazadera.



C Vuelva a instalar la placa de bloqueo con la pestaña detrás del reborde de la caja en la pared. Apriete el tornillo.



D Vuelva a unir la rejilla delantera. Hay una abertura para el cable eléctrico en la parte de abajo de la rejilla delantera.

E Rellene los orificios y las grietas con enmasillado que el instalador debe suministrar.

Antes de llamar para solicitar servicio...

Ideas para la identificación y solución de problemas: ¡Ahorre dinero y tiempo! Revise la siguiente tabla primero y quizás no tenga que llamar para solicitar servicio.

Problema	Causas posibles	Qué hacer
El acondicionador de aire no enciende	El acondicionador de aire está desconectado.	• Cerciórese de que el acondicionador de aire está enchufado totalmente en el tomacorriente.
	El fusible se disparó / el cortacircuitos se disparó.	• Inspeccione los fusibles / caja de interruptores de la casa y reemplace cualquier fusible o reajuste el interruptor.
	Interrupción en el suministro eléctrico.	• Si ocurre una interrupción en el suministro eléctrico, apague (OFF) el acondicionador de aire. Cuando la energía se restaure, espere 3 minutos para reiniciar el acondicionador de aire para prevenir que se dispare el compresor por sobrecarga.
	El dispositivo de interrupción de corriente se ha activado.	• Presione el botón RESET ubicado en el cable de alimentación. • Si el botón RESET no se mantiene en su lugar, no utilice más el acondicionador de aire y comuníquese con un técnico calificado.
El acondicionador de aire no enfría como debería	El flujo de aire está restringido.	• Cerciórese de que no existe ninguna cortina, persiana o mueble bloqueando el frente del acondicionador de aire.
	El control de temperatura no está ajustado apropiadamente.	• En los modelos con teclado: En el modo COOL (FRÍO) , presione la tecla DECREASE ▼ . • En los modelos con botones, gire la temperatura a un número mayor.
	El filtro de aire está sucio.	• Limpie el filtro cada 30 días por lo menos. Ver la sección de <i>Instrucciones de Operación</i> .
	La habitación podría haber estado caliente.	• Cuando el acondicionador de aire se enciende, usted necesita darle tiempo para que enfríe la habitación.
	El aire frío se está escapando.	• Cerciórese de que los registros de la calefacción no están abiertos y se encuentran retornando el aire frío. • Coloque la ventanilla del acondicionador de aire en la posición cerrada.
	Las bobinas de enfriamiento se congelaron.	• Ver " Acondicionador de aire congelándose " más adelante.
El acondicionador de aire se está congelando	El hielo bloquea el flujo de aire hacia el acondicionador de aire evitando que se enfríe la habitación.	• En modelos con los botones de control, coloque el modo de control en HIGH FAN (VENTILADOR ALTO) ó HIGH COOL (FRÍO ALTO) con la temperatura en WARMER . • En los modelos con teclas, coloque los controles en HIGH FAN (VENTILADOR ALTO) ó HIGH COOL (FRÍO ALTO) y ajuste el termostato a una temperatura más alta.
El control remoto no funciona	Las baterías están insertadas incorrectamente.	• Inspeccione la posición de las baterías. Deben estar insertadas correctamente.
	Las baterías podrían estar inservibles.	• Reemplace las baterías.
Hay agua goteando afuera	Tiempo húmedo y caliente.	• Esto es normal.
Hay agua goteando en el interior de la habitación	El acondicionador de aire no está inclinado hacia afuera.	• Para drenar el agua apropiadamente, cerciórese de que el acondicionador de aire está inclinado ligeramente desde el frente hacia atrás.
Se acumula agua en la bandeja	La humedad removida del aire y se drena hasta la bandeja.	• Esto es normal por un corto período en áreas con poca humedad; normal por un período de tiempo más prolongado en áreas más húmedas.

Sonidos de operación normales

- Quizás escuche un sonido metálico causado por el agua tomada y tirada contra el condensador en los días lluviosos o cuando la humedad es alta. Esta característica de diseño ayuda a remover la humedad y mejora la eficiencia.
- Quizás escuche que el termostato hace clic cuando el compresor hace ciclo entre encendido y apagado.
- El agua se acumula en la bandeja durante días lluviosos o con mucha humedad. El agua podría derramarse y gotear desde el lado externo de la unidad.
- El ventilador podría funcionar aun si el compresor no lo hace.

Seguridad**Operación****Cuidado y limpieza****Instalación****Solucionar problemas****Apoyo al consumidor**

<i>Apoyo al consumidor</i>	<i>Solucionar problemas</i>	<i>Instalación</i>	<i>Cuidado y limpieza</i>	<i>Operación</i>	<i>Seguridad</i>
----------------------------	-----------------------------	--------------------	---------------------------	------------------	------------------

Notas.

Notas.

Seguridad

Operación

Cuidado y limpieza

Instalación

Solucionar problemas

Apoyo al consumidor

<i>Apoyo al consumidor</i>	<i>Solucionar problemas</i>	<i>Instalación</i>	<i>Cuidado y limpieza</i>	<i>Operación</i>	<i>Seguridad</i>
----------------------------	-----------------------------	--------------------	---------------------------	------------------	------------------

Notas.

Garantía de su acondicionador de aire.



Todos los servicios de garantía los proporcionan nuestros Centros de Reparación de Fábrica o nuestros técnicos Customer Care® autorizados. Para concertar una cita de reparación, en línea, 24 horas al día, visítenos al ge.com, o llame al 800.GE.CARES (800.432.2737). Cuando llame para solicitar servicio, por favor tenga a mano el número de serie y el número de modelo.

Grape aquí su recibo. Se requiere facilitar prueba de la fecha de compra original para obtener un servicio bajo la garantía.

Por el periodo de:	GE reemplazará:
Un año A partir de la fecha de la compra original	Cualquier parte del acondicionador de aire que falle debido a defectos en los materiales o en la fabricación. Durante esta garantía limitada de un año , GE también proporcionará, sin costo alguno , toda la mano de obra y el servicio relacionado—para reemplazar partes defectuosas.
Cinco años A partir de la fecha de la compra original	Cualquier parte del sistema de refrigeración sellada (compresor, condensador, evaporador y tuberías de conexión) que fallen debido a defectos en los materiales o fabricación. Durante estos cuatro años adicionales de garantía limitada , GE también proporcionará, sin costo alguno , toda la mano de obra y el servicio relacionado para reemplazar partes defectuosas.

Lo que no está cubierto:

- Viajes de servicio a su casa para mostrarle cómo funciona el equipo.
- Reemplazo de fusibles de la casa o reajuste del sistema de circuitos.
- Instalación, entrega o mantenimiento inapropiada. Si usted tiene un problema durante la instalación, o si su acondicionador de aire no tiene la capacidad de enfriamiento que usted necesita, póngase en contacto con nuestro distribuidor o instalador. Usted es responsable de proporcionar las facilidades de conexión eléctrica necesarias.
- Fallos debido a la corrosión en modelos que no están protegidos contra la corrosión.
- Fallo del producto resultante de modificaciones al producto o debido a uso irrazonable incluyendo no proporcionar mantenimiento razonable y necesario.
- Daño al producto causado por voltaje inapropiado hacia el equipo, accidentes, incendios, inundaciones o actos de la naturaleza de fuerza mayor.
- En locales comerciales, la mano de obra necesaria para retirar la unidad hacia un lugar para revisión por parte de un técnico individual.
- Daños incidentales o consecuenciales causados por defectos posibles con este acondicionador de aire.
- Daños causados después de la entrega.
- Producto no accesible para facilitar el servicio requerido.

EXCLUSIÓN DE GARANTÍAS IMPLÍCITAS—Su único y exclusivo derecho es la reparación del producto, tal y como se indica en esta Garantía limitada. Cualquier garantía implícita, incluyendo las garantías implícitas de comerciabilidad o adecuación para un fin determinado, están limitadas a un año o el período de tiempo más breve permitido por la ley.

Esta garantía se extiende al comprador original y cualquier comprador posterior de productos comprados para uso residencial dentro de Estados Unidos. Si el producto está situado en un área que no dispone de servicio por parte de un proveedor de servicio autorizado de GE, podría tener que hacerse cargo de los costes de envío o bien podría solicitarse que lleve el producto a una centro de servicio de GE autorizado para realizar la reparación. En Alaska, la garantía excluye el costo de envío o las visitas de servicio a su casa.

Algunos estados no permiten la exclusión o las limitaciones de daños incidentales o consecuenciales. Esta garantía da derechos legales específicos, y usted podría tener otros derechos que variarán de estado a estado. Para saber cuáles son sus derechos legales, consulte a la oficina de asuntos del consumidor local o la oficina del Attorney General en su localidad.

Seguridad
 Operación
 Cuidado y limpieza
 Instalación
 Solucionar problemas
 Apoyo al consumidor

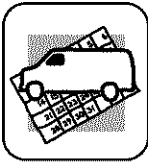
Apoyo al consumidor.



Página Web de GE Appliances

ge.com

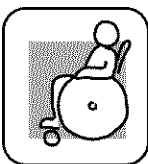
¿Tiene alguna pregunta sobre su electrodoméstico? ¡Pruebe la página Web de GE Appliances 24 horas al día, cualquier día del año! Para mayor conveniencia y servicio más rápido, ya puede descargar los Manuales de los Propietarios, pedir piezas o incluso hacer una cita en línea para que vengan a realizar una reparación.



Solicite una reparación

ge.com

El servicio de expertos GE está a tan sólo un paso de su puerta. ¡Entre en línea y solicite su reparación cuando le venga bien 24 horas al día cualquier día del año! O llame al 800.GE.CARES (800.432.2737) durante horas normales de oficina.



Real Life Design Studio (Estudio de diseño para la vida real)

ge.com

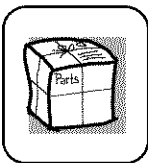
GE apoya el concepto de Diseño Universal—productos, servicios y ambientes que pueden usar gente de todas las edades, tamaños y capacidades. Reconocemos la necesidad de diseñar para una gran gama de habilidades y dificultades físicas y mentales. Para más detalles sobre las aplicaciones de GE Diseño Universal, incluyendo ideas de diseño para la cocina para personas con discapacidades, mire nuestra página Web hoy mismo. Para personas con dificultades auditivas, favor de llamar al 800.TDD.GEAC (800.833.4322).



Garantías ampliadas

ge.com

Compre una garantía ampliada y obtenga detalles sobre descuentos especiales disponibles mientras su garantía está aún activa. Puede comprarla llamando al 800.626.2224 durante horas normales de oficina. GE Consumer Home Services estará aún ahí cuando su garantía termine.



Piezas y accesorios

ge.com

Aquellos individuos con la calificación necesaria para reparar sus propios electrodomésticos pueden pedir que se les manden las piezas o accesorios directamente a sus hogares (aceptamos las tarjetas VISA, MasterCard y Discover). Haga su pedido en línea hoy, 24 horas cada día o llamar por teléfono al 800.626.2002 durante horas normales de oficina.

Las instrucciones descritas en este manual cubren los procedimientos a seguir por cualquier usuario. Cualquier otra reparación debería, por regla general, referirse a personal calificado autorizado. Debe ejercerse precaución ya que las reparaciones incorrectas pueden causar condiciones de funcionamiento inseguras.



Póngase en contacto con nosotros

ge.com

Si no está satisfecho con el servicio que recibe de GE, póngase en contacto con nosotros en nuestra página Web indicando todos los detalles así como su número de teléfono o escribanos a:

General Manager, Customer Relations
GE Appliances, Appliance Park
Louisville, KY 40225



Registre su electrodoméstico

ge.com

¡Registre su nuevo electrodoméstico en línea—cuando usted prefiera! El registrar su producto a tiempo le proporcionará, si surgiera la necesidad, una mejor comunicación y un servicio más rápido bajo los términos de su garantía. También puede enviar su tarjeta de registro pre-impresa que se incluye en el material de embalaje.