



MICROWAVE HOOD COMBINATION

Use and Care Guide

For questions about features, operation/performance,
parts, accessories or service, call: **1-800-253-1301**.

In Canada, for assistance, installation
or service, call: **1-800-807-6777**.

ENSEMBLE FOUR À MICRO-ONDES/HOTTE

Guide d'utilisation et d'entretien

Au Canada, pour assistance, installation
ou service composez le **1-800-807-6777**.

Table of Contents/Table des matières	2
--	---

Models/Modèles IMH16 IMH15

W10215508A

TABLE OF CONTENTS

MICROWAVE HOOD COMBINATION SAFETY	3
Electrical Requirements	4
PARTS AND FEATURES	5
Turntable	5
MICROWAVE OVEN CONTROL	5
Display	5
Start	6
Off Cancel	6
Add 1 Minute	6
Clock	6
Tones	6
Control Lock	6
Vent Fan	6
Cooktop Light	6
MICROWAVE OVEN USE	7
Food Characteristics	7
Cooking Guidelines	7
Cookware and Dinnerware	8
Aluminum Foil and Metal	8
Microwave Cooking Power	8
Manual Cooking	9
Cooking in Stages (or steps)	9
Popcorn	9
Baked Potato	10
Reheating	10
Defrosting	10
MICROWAVE OVEN CARE	11
General Cleaning	11
Replacing Filters	12
Replacing Cooktop Light	12
Replacing Microwave Oven Light	13
TROUBLESHOOTING	13
ASSISTANCE OR SERVICE	15
In the U.S.A.	15
In Canada	15
Replacement Parts	15
WARRANTY	16

TABLE DES MATIÈRES

SÉCURITÉ DE L'ENSEMBLE FOUR À MICRO-ONDES/HOTTE	17
Spécifications électriques	19
PIÈCES ET CARACTÉRISTIQUES	19
Plateau rotatif	19
TABLEAU DE COMMANDE DU FOUR À MICRO-ONDES	20
Affichage	20
Mise en marche	20
Arrêt annulation	20
Ajouter 1 minute	21
Horloge	21
Signaux sonores	21
Verrouillage des commandes	21
Ventilateur d'évacuation	21
Lampe de la table de cuisson	21
UTILISATION DU FOUR À MICRO-ONDES	22
Caractéristiques des aliments	22
Guide de cuisson	22
Ustensiles de cuisson et vaisselle	23
Papier d'aluminium et métal	23
Puissance de cuisson des micro-ondes	23
Cuisson manuelle	24
Cuisson par étapes	24
Maïs éclaté	24
Pomme de terre au four	25
Réchauffage	25
Décongélation	26
ENTRETIEN DU FOUR À MICRO-ONDES	26
Nettoyage général	26
Remplacement des filtres	27
Remplacement de la lampe de la table de cuisson	28
Remplacement de la lampe du four à micro-ondes	28
DÉPANNAGE	29
ASSISTANCE OU SERVICE	30
Pièces de rechange et accessoires	30
GARANTIE	31

MICROWAVE HOOD COMBINATION SAFETY

Your safety and the safety of others are very important.

We have provided many important safety messages in this manual and on your appliance. Always read and obey all safety messages.



This is the safety alert symbol.

This symbol alerts you to potential hazards that can kill or hurt you and others.

All safety messages will follow the safety alert symbol and either the word “DANGER” or “WARNING.”

These words mean:

⚠ DANGER

You can be killed or seriously injured if you don't immediately follow instructions.

⚠ WARNING

You can be killed or seriously injured if you don't follow instructions.

All safety messages will tell you what the potential hazard is, tell you how to reduce the chance of injury, and tell you what can happen if the instructions are not followed.

IMPORTANT SAFETY INSTRUCTIONS

When using electrical appliances basic safety precautions should be followed, including the following:

WARNING: To reduce the risk of burns, electric shock, fire, injury to persons, or exposure to excessive microwave energy:

- Read all instructions before using the microwave oven.
- Read and follow the specific “PRECAUTIONS TO AVOID POSSIBLE EXPOSURE TO EXCESSIVE MICROWAVE ENERGY” found in this section.
- The microwave oven must be grounded. Connect only to properly grounded outlet. See “GROUNDING INSTRUCTIONS” found in this section and in the provided Installation Instructions.
- Install or locate the microwave oven only in accordance with the provided Installation Instructions.
- Some products such as whole eggs in the shell and sealed containers – for example, closed glass jars – are able to explode and should not be heated in the microwave oven.
- Use the microwave oven only for its intended use as described in this manual. Do not use corrosive chemicals or vapors in the microwave oven. This type of oven is specifically designed to heat, cook, or dry food. It is not designed for industrial or laboratory use.
- As with any appliance, close supervision is necessary when used by children.
- Do not operate the microwave oven if it has a damaged cord or plug, if it is not working properly, or if it has been damaged or dropped.
- The microwave oven should be serviced only by qualified service personnel. Call an authorized service company for examination, repair, or adjustment.
- See door surface cleaning instructions in the “Microwave Oven Care” section.
- To reduce the risk of fire in the oven cavity:
 - Do not overcook food. Carefully attend the microwave oven when paper, plastic, or other combustible materials are placed inside the oven to facilitate cooking.
 - Remove wire twist-ties from paper or plastic bags before placing bags in oven.
 - If materials inside the oven ignite, keep oven door closed, turn oven off, and disconnect the power cord, or shut off power at the fuse or circuit breaker panel.
 - Do not use the cavity for storage purposes. Do not leave paper products, cooking utensils, or food in the cavity when not in use.
- Liquids, such as water, coffee, or tea are able to be overheated beyond the boiling point without appearing to be boiling. Visible bubbling or boiling when the container is removed from the microwave oven is not always present. **THIS COULD RESULT IN VERY HOT LIQUIDS SUDDENLY BOILING OVER WHEN THE CONTAINER IS DISTURBED OR A SPOON OR OTHER UTENSIL IS INSERTED INTO THE LIQUID.**
 - To reduce the risk of injury to persons:
 - Do not overheat the liquid.
 - Stir the liquid both before and halfway through heating it.
 - Do not use straight-sided containers with narrow necks.
 - After heating, allow the container to stand in the microwave oven for a short time before removing the container.
 - Use extreme care when inserting a spoon or other utensil into the container.
- Oversized foods or oversized metal utensils should not be inserted in the microwave oven as they may create a fire or risk of electric shock.
- Do not clean with metal scouring pads. Pieces can burn off the pad and touch electrical parts involving a risk of electric shock.

SAVE THESE INSTRUCTIONS

IMPORTANT SAFETY INSTRUCTIONS

- Suitable for use above both gas and electric cooking equipment.
- Intended to be used above ranges with maximum width of 36" (91.44 cm).
- Clean Ventilating Hoods Frequently - Grease should not be allowed to accumulate on hood or filter.
- Do not use paper products when appliance is operated in the "PAN BROWN" mode (on models with this feature).
- Do not store any materials, other than manufacturer's recommended accessories, in this oven when not in use.
- Do not store anything directly on top of the microwave oven when the microwave oven is in operation.
- When flambeing foods under the hood, turn the fan on.
- Use care when cleaning the vent-hood filter. Corrosive cleaning agents, such as lye-based oven cleaners, may damage the filter.
- Do not cover or block any openings on the microwave oven.
- Do not store this microwave oven outdoors. Do not use the microwave oven near water - for example, near a kitchen sink, in a wet basement, or near a swimming pool, or similar locations.
- Do not immerse cord or plug in water.
- Keep cord away from heated surfaces.
- Do not let cord hang over edge of table or counter.
- Do not mount over a sink.
- Do not cover racks or any other part of the oven with metal foil. This will cause overheating of the oven.

SAVE THESE INSTRUCTIONS

PRECAUTIONS TO AVOID POSSIBLE EXPOSURE TO EXCESSIVE MICROWAVE ENERGY

- (a) Do not attempt to operate this oven with the door open since open-door operation can result in harmful exposure to microwave energy. It is important not to defeat or tamper with the safety interlocks.
- (b) Do not place any object between the oven front face and the door or allow soil or cleaner residue to accumulate on sealing surfaces.
- (c) Do not operate the oven if it is damaged. It is particularly important that the oven door close properly and that there is no damage to the:
 - (1) Door (bent),
 - (2) Hinges and latches (broken or loosened),
 - (3) Door seals and sealing surfaces.
- (d) The oven should not be adjusted or repaired by anyone except properly qualified service personnel.

Electrical Requirements

⚠ WARNING



Electrical Shock Hazard

- Plug into a grounded 3 prong outlet.**
- Do not remove ground prong.**
- Do not use an adapter.**
- Do not use an extension cord.**
- Failure to follow these instructions can result in death, fire, or electrical shock.**

Observe all governing codes and ordinances.

Required:

- A 120 Volt, 60 Hz, AC only, 15- or 20-amp electrical supply with a fuse or circuit breaker.

Recommended:

- A time-delay fuse or time-delay circuit breaker.
- A separate circuit serving only this microwave oven.

GROUNDING INSTRUCTIONS

- **For all cord connected appliances:**
The microwave oven must be grounded. In the event of an electrical short circuit, grounding reduces the risk of electric shock by providing an escape wire for the electric current. The microwave oven is equipped with a cord having a grounding wire with a grounding plug. The plug must be plugged into an outlet that is properly installed and grounded.

WARNING: Improper use of the grounding plug can result in a risk of electric shock. Consult a qualified electrician or serviceman if the grounding instructions are not completely understood, or if doubt exists as to whether the microwave oven is properly grounded.

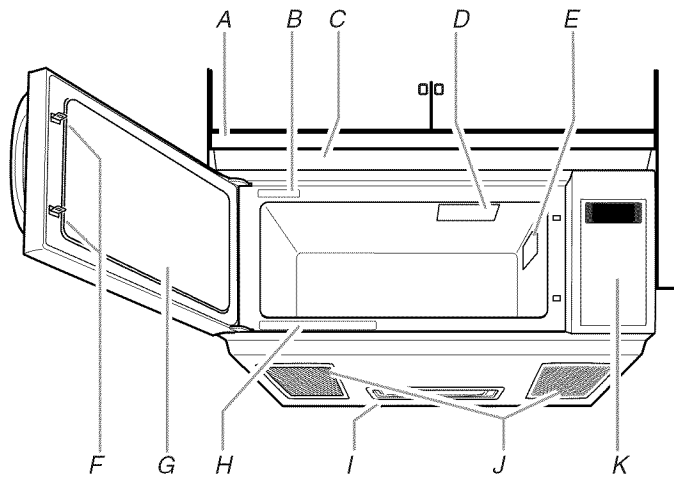
Do not use an extension cord. If the power supply cord is too short, have a qualified electrician or serviceman install an outlet near the microwave oven.

SAVE THESE INSTRUCTIONS

This device complies with Part 18 of the FCC Rules.

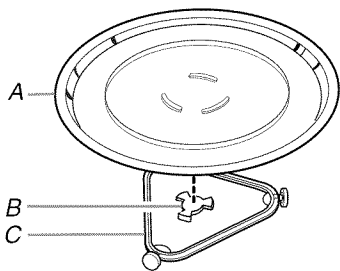
PARTS AND FEATURES

This manual may cover several different models. The model you have purchased may have some or all of the features shown here. The appearance of your particular model may differ slightly from the illustrations in this manual.



- A. Vent grille
 - B. Model and serial number plate
 - C. Charcoal filter (behind vent grille)
 - D. Microwave oven light
 - E. Microwave inlet cover
 - F. Door lock system
 - G. Metal shielded window
 - H. Cooking guide label
 - I. Cooktop light
 - J. Grease filters
 - K. Control panel
- Parts and Features not shown**
Turntable

Turntable



- A. Turntable
- B. Hub
- C. Support

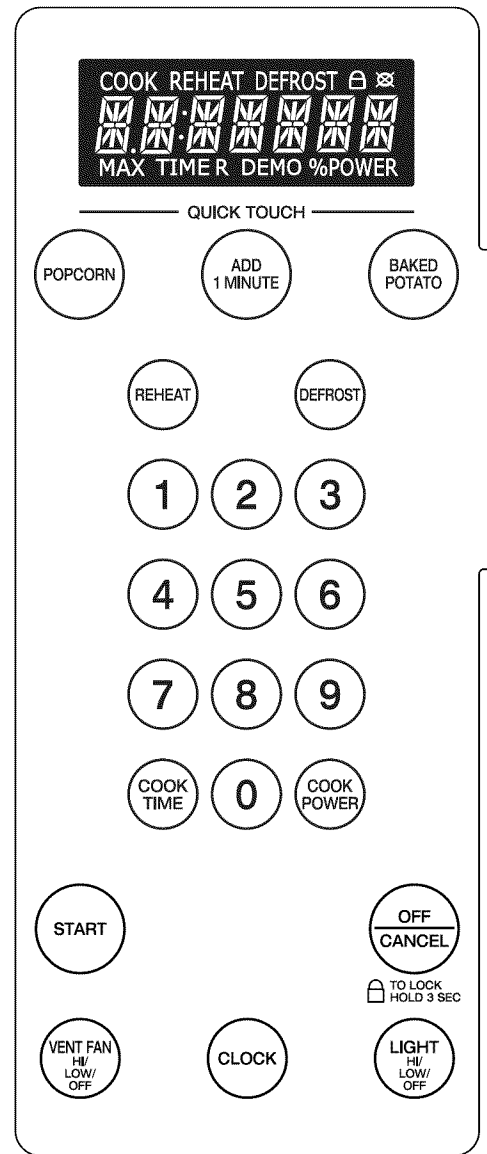
The turntable can rotate in either direction to help cook food more evenly. For best cooking results, do not operate the microwave oven without having the turntable in place. See "Assistance or Service" to reorder any of the parts.

To Install:

1. Remove tape from the hub.
2. Place the support on the microwave oven cavity bottom.
3. Place the turntable on the support.

Fit the raised, curved lines in the center of the turntable bottom between the three spokes of the hub. The rollers on the support should fit inside the turntable bottom ridge.

MICROWAVE OVEN CONTROL



QUICK TOUCH

- POPCORN
- ADD 1 MINUTE
- BAKED POTATO
- REHEAT
- DEFROST
- 1
- 2
- 3
- 4
- 5
- 6
- 7
- 8
- 9
- COOK TIME
- 0
- COOK POWER
- START
- OFF CANCEL
- TO LOCK HOLD 3 SEC
- VENT FAN HI/LOW/OFF
- CLOCK
- LIGHT HI/LOW/OFF

Display

When power is first supplied to the microwave oven, a ":" will blink in the display. Touch OFF CANCEL to stop the blinking. If the ":" blinks in the display at any other time, a power failure has occurred. Touch OFF CANCEL and reset the clock if needed.

If an invalid value has been entered, the invalid entry tones will sound, and the input prompt will reappear in the display. Retry your entry.

When the microwave oven is in use, the display shows cooking power, quantities, weights and/or prompts. When the microwave oven is not in use (standby mode), the display shows the time of day or Timer countdown.

The speed of the scrolling text may be adjusted, if necessary.

To Adjust Scroll Speed:

1. Touch and hold CLOCK for 3 seconds until 2 tones sound.
2. Touch number pad “1” for SLOW, “2” for NORMAL or “3” for FAST.
3. Touch START to complete the adjustment.

The display language may be changed.

To Change Language:

1. Touch and hold number pad “0” for 3 seconds until 2 tones sound.
2. Touch number pad “1” for ENGLISH or “2” for FRENCH.
3. Touch START to set the language.

Start

The START pad begins any function. If it is not touched within 5 seconds after touching a pad, “PRESS START” will scroll in the display as a reminder. If START pad is not touched within 2 minutes after touching a pad, the display will return to the time of day mode and the programmed function will be canceled.

If cooking is interrupted by opening the door, touching START will resume the preset cycle.

If the microwave oven has not been in use, and the door has not been opened in the past 5 minutes, the cooking function will not start. This happens to avoid unintended starting of the microwave oven. Open and close the door, then touch START to start the cooking cycle.

Off Cancel

The OFF CANCEL pad stops most functions except for the Control Lock.

The microwave oven will also turn off when the door is opened. Close the door and touch START to resume the cycle.

Add 1 Minute

The ADD 1 MINUTE control automatically starts the microwave oven at 100% power for 1 minute, and adds 1 minute of cook time, up to 10 minutes, with each additional touch of the control.

Touching ADD 1 MINUTE during a manual cook cycle will add 1 minute of cook time at the current cook power.

If the microwave oven has not been in use, and the door has not been opened in the past 5 minutes, the ADD 1 MINUTE control will not start the cooking cycle. This happens to avoid unintended starting of the microwave oven. Open and close the door, then touch ADD 1 MINUTE to start the cooking cycle.

Clock

This is a standard 12-hour clock (12:00-11:59) and does not show a.m. or p.m.

To Set:

The microwave oven and timer must be off.

1. Touch CLOCK.
2. Touch the number pads to set the time of day.
3. Touch CLOCK or START.

To Remove:

1. Touch CLOCK.
2. Touch 0.
3. Touch CLOCK.

The time will disappear, and “:” will appear on the display.

Tones

Tones are audible signals that can be turned off.

To Turn Off/On Valid Entry Tones: With the microwave oven in standby mode, touch and hold the number pad “1” for 3 seconds until 2 tones sound. Touch and hold number pad “1” to turn tones back on.

To Turn Off All Tones (except hidden feature tones): With the microwave oven in standby mode, touch and hold the number pad “2” for 3 seconds until 2 tones sound. Touch and hold number pad “2” to turn tones back on.

These tones indicate the following:

One tone

- Valid entry (short tone)

Two tones

- End of stage in multistage cooking
- Control Lock active
- Hidden feature has been entered or exited
- Reminder, repeat each minute after the end-of-cycle tones

Three tones

- Invalid entry

Four tones

- End of cycle

Control Lock

The Control Lock shuts down the control panel pads to avoid unintended use of the microwave oven.

When the control is locked, only the Vent Fan and Light pads will function. If any other control pad is touched, “LOCKED” will appear in the display and the invalid entry tones will sound.

To Lock/Unlock Control: The microwave oven must be in standby mode. Touch and hold OFF CANCEL for 3 seconds until 2 tones sound and a padlock icon appears in the display. Repeat to unlock and remove the padlock icon from display.

Vent Fan

The vent (exhaust) fan has 2 speeds: high and low.

If the temperature from the range or cooktop below the microwave oven gets too hot, the vent fan will automatically turn on at high speed. It may stay on for up to 1 hour to cool the microwave oven. When this occurs, the vent fan cannot be turned off. If the vent fan pad is touched during automatic fan operation, “AUTO FAN IS ON, FAN SPEED WILL REMAIN ON UNTIL HEAT IS NO LONGER SENSED” will scroll in the display as a reminder.

The vent fan is also the cooling fan, and will start at low speed when any cooking function begins. It will remain on until the cooking function ends.

To Turn Vent Fan On/Off: Touch VENT FAN pad once for high, twice for low or 3 times for off.

Cooktop Light

The cooktop light has 3 settings: high, low and off.

To Turn Light On/Off: Touch LIGHT pad once for high, twice for low or 3 times for off.

MICROWAVE OVEN USE

A magnetron in the microwave oven produces microwaves which reflect off the metal floor, walls and ceiling and pass through the turntable and appropriate cookware to the food. Microwaves are attracted to and absorbed by fat, sugar and water molecules in the food, causing them to move, producing friction and heat which cooks the food.

- To avoid damage to the microwave oven, do not lean on or allow children to swing on the microwave oven door.
- To avoid damage to the microwave oven, do not operate when it is empty.
- Baby bottles and baby food jars should not be heated in microwave oven.
- Clothes, flowers, fruit, herbs, wood, gourds, paper, including brown paper bags and newspaper, should not be dried in microwave oven.
- Paraffin wax will not melt in the microwave oven because it does not absorb microwaves.
- Use oven mitts or pot holders when removing containers from microwave oven.
- Do not overcook potatoes. At the end of the recommended cook time, potatoes should be slightly firm. Let potatoes stand for 5 minutes. They will finish cooking while standing.
- Do not cook or reheat whole eggs inside the shell. Steam buildup in whole eggs may cause them to burst, requiring significant cleanup of microwave oven cavity. Cover poached eggs and allow a standing time.

Food Characteristics

When microwave cooking, the amount, size and shape, starting temperature, composition and density of the food affect cooking results.

Amount of Food

The more food heated at once, the longer the cook time needed. Check for doneness and add small increments of time if necessary.

Size and Shape

Smaller pieces of food will cook more quickly than larger pieces, and uniformly shaped foods cook more evenly than irregularly shaped food.

Starting Temperature

Room temperature foods will heat faster than refrigerated foods, and refrigerated foods will heat faster than frozen foods.

Composition and Density

Foods high in fat and sugar will reach a higher temperature, and will heat faster than other foods. Heavy, dense foods, such as meat and potatoes, require a longer cook time than the same size of a light, porous food, such as cake.

Cooking Guidelines

Covering

Covering food helps retain moisture, shorten cook time and reduce spattering. Use the lid supplied with cookware. If a lid is not available, wax paper, paper towels or plastic wrap approved for microwave ovens may be used. Plastic wrap should be turned back at one corner to provide an opening to vent steam. Condensation on the door and cavity surfaces is normal during heavy cooking.

Stirring and Turning

Stirring and turning redistribute heat evenly to avoid overcooking the outer edges of food. Stir from outside to center. If possible, turn food over from bottom to top.

Arranging

If heating irregularly shaped or different sized foods, arrange the thinner parts and smaller sized items toward the center. If cooking several items of the same size and shape, place them in a ring pattern, leaving the center of the ring empty.

Piercing

Before heating, use a fork or small knife to pierce or prick foods that have a skin or membrane, such as potatoes, egg yolks, chicken livers, hot dogs, and sausage. Prick in several places to allow steam to vent.

Shielding

Use small, flat pieces of aluminum foil to shield the thin pieces of irregularly shaped foods, bones and foods such as chicken wings, leg tips and fish tail. See "Aluminum Foil and Metal" first.

Standing Time

Food will continue to cook by the natural conduction of heat even after the microwave cooking cycle ends. The length of standing time depends on the volume and density of the food.

Cookware and Dinnerware

Cookware and dinnerware must fit on the turntable. Always use oven mitts or pot holders when handling because any dish may become hot from heat transferred from the food. Do not use cookware and dinnerware with gold or silver trim. Use the following chart as a guide, then test before using.

MATERIAL	RECOMMENDATIONS
Aluminum Foil, Metal	See "Aluminum Foil and Metal" section.
Browning Dish	Bottom must be at least 3/16" (5 mm) above the turntable. Follow manufacturer's recommendations.
Ceramic Glass, Glass	Acceptable for use.
China, Earthenware	Follow manufacturer's recommendations.
Melamine	Follow manufacturer's recommendations.
Paper: Towels, Dinnerware, Napkins	Use nonrecycled and those approved by the manufacturer for microwave oven use.
Plastic: Wraps, Bags, Covers, Dinnerware, Containers	Use those approved by the manufacturer for microwave oven use.
Pottery and Clay	Follow manufacturer's recommendations.
Silicone Bakeware	Follow manufacturer's recommendations.
Straw, Wicker, Wooden Containers	Do not use in microwave oven.
Wax Paper	Acceptable for use.

To Test Cookware or Dinnerware for Microwave Use:

- Place cookware or dinnerware in microwave oven with 1 cup (250 mL) of water beside it.
- Cook at 100% cooking power for 1 minute.

Do not use cookware or dinnerware if it becomes hot and the water stays cool.

Aluminum Foil and Metal

Always use oven mitts or pot holders when removing dishes from the microwave oven.

Aluminum foil and some metal can be used in the microwave oven. If not used properly, arcing (a blue flash of light) can occur and cause damage to the microwave oven.

OK for Use

Racks and bakeware supplied with the microwave oven (on some models), aluminum foil for shielding, and approved meat thermometers may be used with the following guidelines:

- To avoid damage to the microwave oven, do not allow aluminum foil or metal to touch the inside cavity walls, ceiling or floor.
- Always use the turntable.
- To avoid damage to the microwave oven, do not allow contact with another metal object during microwave cooking.

Do Not Use

Metal cookware and bakeware, gold, silver, pewter, non-approved meat thermometers, skewers, twist ties, foil liners such as sandwich wrappers, staples and objects with gold or silver trim or a metallic glaze should not be used in the microwave oven.

Microwave Cooking Power

Many recipes for microwave cooking specify which cooking power to use by percent or name. For example, 70%=Medium-High.

Use the following chart as a general guide for the suggested cooking power of specific foods.

PERCENT/NAME	USE
100%, High (default setting)	Quick heating convenience foods and foods with high water content, such as soups, beverages and most vegetables.
90%	Cooking small, tender pieces of meat, ground meat, poultry pieces and fish fillets. Heating cream soups.
80%	Heating rice, pasta or stirrable casseroles. Cooking and heating foods that need a cook power lower than high. For example, whole fish and meat loaf.
70%, Medium-High	Reheating a single serving of food.
60%	Cooking sensitive foods such as cheese and egg dishes, pudding and custards. Cooking non-stirrable casseroles, such as lasagna.
50%, Medium	Cooking ham, whole poultry and pot roasts. Simmering stews.
40%	Melting chocolate. Heating bread, rolls and pastries.
30%, Medium-Low, Defrost	Defrosting bread, fish, meats, poultry and precooked foods.
20%	Softening butter, cheese, and ice cream.
10%, Low	Taking chill out of fruit.

Manual Cooking

To Use:

1. Place food on the turntable and close the door.
2. Touch COOK TIME, then enter a length of time to cook.
If cooking with 100% power, skip Step 3.
3. Touch COOK POWER, then enter the desired power level using the appropriate number pad
or
Touch COOK POWER repeatedly to select the desired power level. See “Microwave Cooking Power” chart.
4. Touch START.
The display will count down the cook time.

When the cycle ends, “END” will appear in the display, and the end-of-cycle tones will sound, followed by reminder tones.
5. Touch OFF CANCEL or open the door to clear the display and/or stop reminder tones.

The cook time and power may be changed after touching START without interrupting cooking.

To Change Cook Time: Touch COOK TIME. The countdown will freeze for a few seconds. Enter the new cook time and touch START or wait a few seconds for the countdown to resume.

To Change Cook Power: Touch COOK POWER repeatedly to scroll through the cook power levels. Touch START.

Cooking in Stages (or steps)

The microwave oven can be set for manual cooking at different cooking powers for various lengths of time, up to 2 stages.

To Cook in Stages:

1. Place food on the turntable and close the door.
2. Touch COOK TIME, then enter length of time to cook for the first stage.
If cooking with 100% power, skip Step 3.
3. Touch COOK POWER, then enter the desired power level for the first stage. See “Microwave Cooking Power” chart.
4. Repeat steps 2 and 3 for the second stage.
5. Touch START.
The display will count down each of the cook times. The display will switch briefly to “STEP 1” or “STEP 2” every 30 seconds during their respective stages.

When the cycle ends, “END” will appear in the display, and the end-of-cycle tones will sound, followed by reminder tones.
6. Touch OFF CANCEL or open the door to clear the display and/or stop reminder tones.

The cook time and cooking power of the operating stage can be changed after touching START without interrupting cooking.

To Change Cook Time: Touch COOK TIME. The countdown will freeze for a few seconds. Enter the new cook time and touch START or wait a few seconds for the countdown to resume.

To Change Cook Power: Touch COOK POWER repeatedly to scroll through the cook power levels. Touch START.

Popcorn

Popping time has been preset based on commercially packaged microwave popcorn. The preset programs are for bag sizes 3.5 oz (99 g), 3.0 oz (85 g) and 1.75 oz (50 g). For bag sizes not listed in this section, follow directions on the package.

NOTE: During Popcorn function, as with all microwave cooking functions, the microwave oven should be attended at all times. Listen for popping to slow to 1 pop every 1 or 2 seconds, then stop the cycle.

- To avoid damage to the microwave oven, do not use regular paper bags or glassware.
- Pop only one package of popcorn at a time.
- Follow manufacturer’s instructions when using a microwave popcorn popper.
- For best cooking results, do not try to pop unpopped kernels.
- Use fresh bags of popcorn for optimal results.
- Cooking results may vary by brand and fat content.
- If popcorn volume is less than expected, try placing a microwave-safe dish upside down on the turntable, placing a fresh popcorn bag on the dish, and then starting the cycle.

NOTE: The Popcorn times are programmed to run 15 seconds longer than the actual pop time. During this 15-second period, the magnetron is off, and the microwave oven is cooling. This allows the microwave oven to pop another bag of popcorn immediately following the cycle.

To Use POPCORN:

1. Place popcorn bag on the turntable, and close the door.
2. Touch POPCORN.
Bag size selections will scroll across the display.
3. Enter the bag size, in ounces, using the number pads (invalid numbers will not be accepted)
or
Touch POPCORN repeatedly to scroll through the bag size selections.
4. Touch START.
The display will count down the popping time.

When the popcorn cycle ends, “END” will appear in the display, and the end-of-cycle tones will sound, followed by reminder tones.
5. Touch OFF CANCEL or open the door to clear the display and/or stop reminder tones.

Baked Potato

One to four 10 oz (283 g) potatoes may be baked automatically in the microwave oven by using the Baked Potato function.

- Pierce each potato several times with a fork before baking.
- Place a single potato on the turntable, off to the side (not centered). Place 2, 3 or 4 potatoes on the turntable around the edges, at least 1" (2.5 cm) apart.
- Let potato(es) stand for 5 minutes after baking.

To Bake Potatoes:

1. Place potato(es) on the turntable and close the door.
2. Touch BAKED POTATO.
3. Enter the number of pieces
or
Touch BAKED POTATO repeatedly to select a number.

4. Touch START.

The display will count down the cook time.

When the cycle ends, "END" will appear in the display, and the end-of-cycle tones will sound, followed by reminder tones.

5. Touch OFF CANCEL or open the door to clear the display and/or stop reminder tones.

Reheating

Times and cooking power have been preset for reheating specific food types. Use the following chart as a guide.

FOOD	PAD	QUANTITY/INSTRUCTIONS
Pizza	1	1-3 slices, 3 oz (85 g) each (refrigerated)/ Place pizza slice(s) on paper towel or paper plate.
Casserole	2	1-4 cups (250 mL-1 L)/ Place in microwave-safe container, and cover with plastic wrap. Stir and let stand 2-3 minutes after reheating.
Dinner Plate	3	1 serving (1 plate), 8-10 oz (227-283 g)/ Place food on plate, cover with plastic wrap and vent. Let stand 2-3 minutes after reheating.
Soup/Sauce	4	1-4 cups (250 mL-1 L)/ Place in microwave-safe container. Cover with plastic wrap and vent. Stir and let stand 2-3 minutes after reheating.
Baked Goods (example: medium muffin or bagel)	5	1-6 pieces, 2 oz (57 g) each*/ Place on paper towel.

*For smaller rolls, 2 rolls may be counted as 1 piece.

To Use Reheat:

1. Place food on the turntable, and close the door.
2. Touch REHEAT.
3. Select food by entering the number from the chart
or
Touch REHEAT repeatedly to scroll through food selections.
4. Enter quantity.
5. Touch START.
The display will count down the reheat time.

When the cycle ends, "END" will appear in the display, and the end-of-cycle tones will sound, followed by reminder tones.

6. Touch OFF CANCEL or open the door to clear the display and/or stop reminder tones.

To Reheat Manually: Follow directions in "Manual Cooking" section, and use 70% cooking power. See "Microwave Cooking Power" chart.

Defrosting

The Auto Defrost feature can be used or the microwave oven can be manually set to defrost.

- Unwrap foods and remove lids (for example, from fruit juice containers) before defrosting.
- Shallow packages will defrost more quickly than deep blocks.
- Separate food pieces as soon as possible during or at the end of cycle for more even defrosting.
- Use small pieces of aluminum foil to shield parts of food such as chicken wings, leg tips and fish tails. See "Aluminum Foil and Metal" first.

The Auto Defrost system has 3 categories: Meat, Poultry and Fish. It should not be used for food left outside the freezer more than 20 minutes and frozen ready-made food. Use the following chart as a guide.

MEAT

<i>Beef:</i> ground, steaks, roast, stew	The narrow or fatty areas of irregular shaped cuts should be shielded with foil before defrosting.
<i>Lamb:</i> stew and chops	
<i>Pork:</i> chops, ribs, roasts, sausage	Do not defrost less than 1/4 lb (113 g) or two 4 oz (113 g) patties. Place all meats in microwave-safe baking dish.

POULTRY

<i>Chicken:</i> whole and cut up	Place in microwave-safe baking dish, chicken breast side up.
<i>Cornish hens</i>	
<i>Turkey:</i> breast	

FISH

<i>Fillets, Steaks, Whole, Shellfish</i>	Place in microwave-safe baking dish.
--	--------------------------------------

To Use Auto Defrost:

1. Unwrap food, place on the turntable, and close the door.
2. Touch DEFROST.
3. Select food by entering 1 for Meat, 2 for Poultry or 3 for Fish
or
Touch DEFROST repeatedly to scroll through food selections.
4. Enter the weight in pounds.
Meats and Poultry can be set from 0.2 to 6.6 lbs (90 g to 3 kg).
Fish can be set from 0.2 to 4.4 lbs (90 g to 2 kg).

5. Touch START.
The display will count down the defrost time.
When the cycle ends, "END" will appear in the display, and the end-of-cycle tones will sound, followed by reminder tones.
6. Touch OFF CANCEL or open the door to clear the display and/or stop reminder tones.
To Defrost Manually: Follow directions in "Manual Cooking" section, and use 30% cooking power. See "Microwave Cooking Power" chart.

MICROWAVE OVEN CARE

General Cleaning

IMPORTANT: Before cleaning, make sure all controls are off and the microwave oven is cool. Always follow label instructions on cleaning products.

Soap, water and a soft cloth or sponge are suggested unless otherwise noted.

GREASE FILTERS

Do not use ammonia or corrosive cleaning agents such as lye-based oven cleaners.

- Hot water and mild detergent:
Soak filters, then scrub and swish to remove embedded dirt and grease. Rinse well and shake to dry.
- Dishwasher:
Wash separately, not with dirty dishes, because food can be trapped in the filters.
NOTE: Some discoloration of the filters may occur after cleaning them in the dishwasher. This is normal, and will not affect the performance of the grease filters.

MICROWAVE OVEN CAVITY

To avoid damage to the microwave oven cavity, do not use soap-filled scouring pads, abrasive cleaners, steel-wool pads, gritty washcloths or some recycled paper towels.

To avoid damage to stainless steel models, rub in direction of grain.

The area where the microwave oven door and frame touch when closed should be kept clean.

Average soil

- Mild, nonabrasive soaps and detergents:
Rinse with clean water and dry with soft, lint-free cloth.

Heavy soil

- Mild, nonabrasive soaps and detergents:
Heat 1 cup (250 mL) of water for 2 to 5 minutes in microwave oven. Steam will soften soil. Rinse with clean water and dry with soft, lint-free cloth.

Odors

- Lemon juice or vinegar:
Heat 1 cup (250 mL) of water with 1 tbs (15 mL) of either lemon juice or vinegar for 2 to 5 minutes in microwave oven.

Microwave Inlet Cover

To avoid arcing and microwave oven damage, the microwave inlet cover (see "Parts and Features") should be kept clean.

- Wipe with wet cloth.

MICROWAVE OVEN DOOR AND EXTERIOR

The area where the microwave oven door and frame touch when closed should be kept clean.

- Mild, nonabrasive soaps and detergents:
Rinse with clean water and dry with soft, lint-free cloth.
- Glass cleaner and paper towels or nonabrasive plastic scrubbing pad:
Apply glass cleaner to towel, not directly to surface.

Stainless Steel (on some models)

To avoid damage to microwave oven door and exterior, do not use soap-filled scouring pads, abrasive cleaners, steel-wool pads, gritty washcloths or some paper towels. Rub in direction of grain.

- Stainless Steel Cleaner and Polish (not included):
See "Assistance or Service" section to order.
- Liquid detergent or all-purpose cleaner:
Rinse with clean water and dry with soft, lint-free cloth.
- Vinegar for hard water spots

CONTROL PANEL

- Sponge or soft cloth and water:
Dampen sponge with water and wipe panel. Dry with soft cloth.
- To avoid damage to the control panel, do not use chemical or abrasive cleansers.

TURNTABLE

Replace turntable immediately after cleaning. Do not operate the microwave oven without the turntable in place.

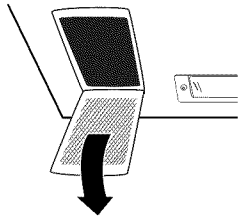
- Mild cleanser and scouring pad
- Dishwasher

Replacing Filters

The grease filters should be removed and cleaned at least once a month. Do not operate the microwave oven or exhaust fan without the grease filters in place. The charcoal filters cannot be washed and should be replaced every 6 to 12 months. See "General Cleaning" for cleaning instructions. See "Assistance or Service" to reorder filters.

To Remove and Replace Grease Filters:

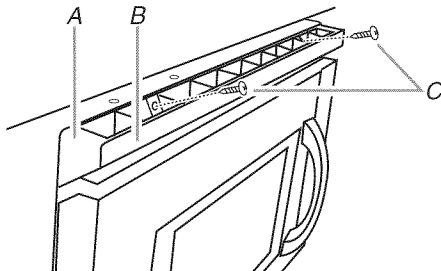
1. Remove each grease filter by sliding the filter toward the back of the microwave oven until the front end of the filter drops down, then pull out the filter.



2. Replace grease filter by inserting one end of the filter into the back rim of the frame. Swing the front end of the filter up and slide it forward into position.

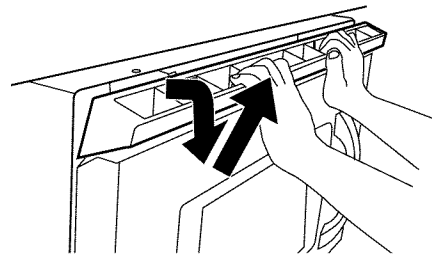
To Remove and Replace Charcoal Filter:

1. Remove the 2 vent grille mounting screws located directly behind the top louver.

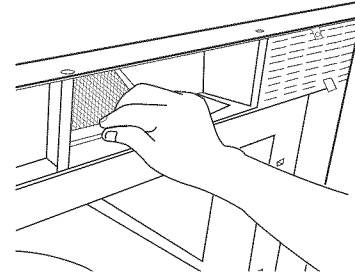


A. Vent grille
B. Top louver
C. Mounting screws

2. Tip the vent grille forward and down, then lift to remove.



3. Slide filter back slightly, lift front end, and pull out filter.



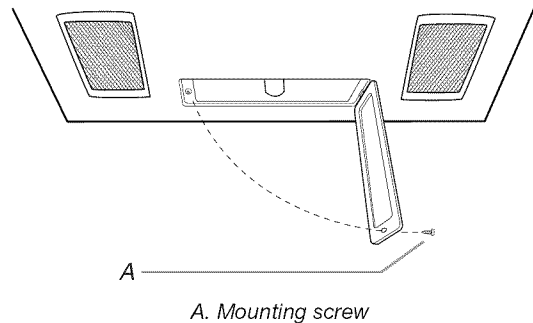
4. Install new charcoal filter.
5. Replace vent grille and mounting screws.

Replacing Cooktop Light

The cooktop light is a candelabra base bulb. See "Assistance or Service" section to reorder.

To Replace:

1. Unplug microwave oven or disconnect power.
2. Remove the bulb cover mounting screw.



A. Mounting screw

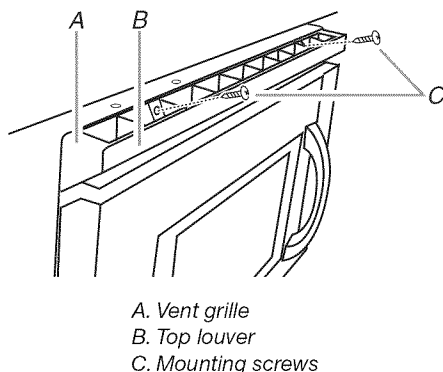
3. Replace light. Close bulb cover. Replace mounting screw.
4. Plug in microwave oven or reconnect power.

Replacing Microwave Oven Light

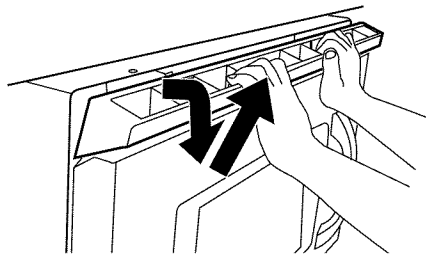
The microwave oven light is a candelabra base bulb. It will automatically come on when the door is opened and when the microwave oven is operating. See “Assistance or Service” section to reorder.

To Replace:

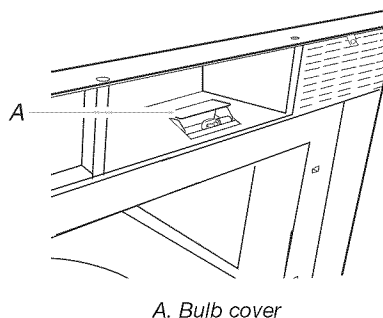
1. Unplug microwave oven or disconnect power.
2. Remove the 2 vent grille mounting screws located directly behind the top louver.



3. Tip the vent grille forward and down, then lift out to remove.



4. Lift up the bulb cover.



5. Replace light. Close bulb cover.
6. Reattach vent grille. Replace the mounting screws.
7. Plug in microwave oven or reconnect power.

TROUBLESHOOTING

Try the solutions suggested here first in order to avoid the cost of an unnecessary service call.

Nothing will operate

- **Has a household fuse blown, or has a circuit breaker tripped?**
Replace the fuse or reset the circuit breaker. If the problem continues, call an electrician.
- **Is the microwave oven wired properly?**
See Installation Instructions provided with your microwave oven.

Microwave oven will not operate

- **Is the magnetron working properly?**
Try to heat 1 cup (250 mL) of cold water for 2 minutes at 100% cooking power. If water does not heat, try the steps below. If microwave oven still does not operate, call for service. See “Assistance or Service” section.
- **Is the door completely closed?**
Firmly close door.

- **Does a message about the door appear in the display?**
The door has been closed for 5 minutes or more. Open and close the door, then touch START to start the cooking cycle. See “Start” section.
- **Is a packaging spacer (on some models) attached to the inside of the door?**
Remove packaging spacer, then firmly close door.
- **Is the electronic microwave oven control set correctly?**
See “Microwave Oven Control” section.
- **On some models, is the Control Lock set?**
See “Control Lock” section.

Microwave oven makes humming noise

- This is normal and occurs when the power supply switches the magnetron on and off.

Microwave oven door looks wavy

- This is normal and will not affect performance.

Turntable will not operate

- **Has the tape been removed from turntable hub?**
See “Turntable” section.
- **Is the turntable properly in place?**
Make sure turntable is correct side up and is sitting securely on the turntable support.
- **Is the turntable support operating properly?**
Remove turntable. Remove and clean turntable support and rollers. Replace turntable support. Replace turntable. Place 1 cup (250 mL) of water on the turntable, then restart microwave oven. If it still is not working, call for service. See “Assistance or Service” section. Do not operate the microwave oven without turntable and turntable support working properly.

Turntable alternates rotation directions

- This is normal and depends on motor rotation at the beginning of the cycle.

Display shows messages

- **Is the display showing “:”?**
There has been a power failure or the clock time has been turned off. See “Display” section to clear display. See “Clock” section to reset the clock or to turn it on.
- **Is the display showing a letter followed by a number?**
See “Display” section to clear. If it reappears, call for service. See “Assistance or Service” section.

Tones are not sounding

- **Are tones turned off?**
See “Tones” section.

Steam is coming from the vent grille

- Some steam is normal.

Fan running slower than usual

- **Has the microwave oven been stored in a cold area?**
The fan will run slower until the microwave oven warms up to normal room temperature.

Fan running during microwave cooking

- This is normal. The fan comes on at low speed to cool the microwave oven. See “Vent Fan” section.

Fan comes on during cooktop usage

- This is normal. The fan automatically comes on to cool the microwave oven if the temperature from the cooktop below gets too hot. See “Vent Fan” section.

Cooking times seem too long

- **Is the cooking power set properly?**
See “Microwave Cooking Power” section.
- **Are large amounts of food being heated?**
Larger amounts of food need longer cooking times.
- **Is the incoming voltage less than that specified in “Microwave Hood Combination Safety?”**
Have a qualified electrician check the electrical system in the home.

Radio, TV or cordless phone interference

- **Is the radio or TV receiver near the microwave oven?**
Move the receiver away from the microwave oven, or adjust the radio or TV antenna.
- **Are the microwave oven door and sealing surfaces clean?**
Make sure these areas are clean.
- **Is the cordless phone frequency 2.4 GHz?**
Some 2.4 GHz-based cordless phones and home wireless networks may experience static or noise while the microwave oven is on. Use a corded phone, a different frequency cordless phone or avoid using these items during microwave oven operation.

ASSISTANCE OR SERVICE

Before calling for assistance or service, please check "Troubleshooting." It may save you the cost of a service call. If you still need help, follow the instructions below.

When calling, please know the purchase date and the complete model and serial number of your appliance. This information will help us to better respond to your request.

If you need replacement parts

If you need to order replacement parts, we recommend that you use only factory specified parts. Factory specified parts will fit right and work right because they are made with the same precision used to build every new IKEA® appliance.

To locate factory specified parts in your area, call us or your nearest designated service center.

In the U.S.A.

Call the Whirlpool Customer eXperience Center toll free: **1-800-253-1301**.

Our consultants provide assistance with:

- Features and specifications on our full line of appliances.
- Installation information.
- Use and maintenance procedures.
- Accessory and repair parts sales.
- Specialized customer assistance (Spanish speaking, hearing impaired, limited vision, etc.).
- Referrals to local dealers, repair parts distributors, and service companies. Whirlpool designated service technicians are trained to fulfill the product warranty and provide after-warranty service, anywhere in the United States.

To locate the Whirlpool designated service company in your area, you can also look in your telephone directory Yellow Pages.

For further assistance

If you need further assistance, you can write to Whirlpool Corporation with any questions or concerns at:

IKEA Brand Home Appliances
Customer eXperience Center
553 Benson Road
Benton Harbor, MI 49022-2692

Please include a daytime phone number in your correspondence.

In Canada

Call the Whirlpool Canada LP Customer eXperience Centre toll free: **1-800-807-6777**.

Our consultants provide assistance with:

- Features and specifications on our full line of appliances.
- Use and maintenance procedures.
- Accessory and repair parts sales.
- Referrals to local dealers, repair parts distributors, and service companies. Whirlpool Canada LP designated service technicians are trained to fulfill the product warranty and provide after-warranty service, anywhere in Canada.

For further assistance

If you need further assistance, you can write to Whirlpool Canada LP with any questions or concerns at:

Customer eXperience Centre
Whirlpool Canada LP
1901 Minnesota Court
Mississauga, Ontario L5N 3A7

Please include a daytime phone number in your correspondence.

Replacement Parts

Turntable
Part Number 4393799

Turntable Support and Rollers
Part Number 8206227

Turntable Hub
Part Number 8206228

Grease Filters
Part Number W10181505

Charcoal Filter
Part Number 8206230

Cooktop Light Bulb
Part Number 8206232

Microwave Oven Light Bulb
Part Number 4393681

Cleaning Supplies

Heavy Duty Degreaser
Part Number 31552

All-Purpose Appliance Cleaner
Part Number 31682

Stainless Steel Cleaner and
Polish
Part Number 31462

WHIRLPOOL CORPORATION MAJOR APPLIANCE WARRANTY

LIMITED WARRANTY

For one year from the date of purchase, when this major appliance is operated and maintained according to instructions attached to or furnished with the product, Whirlpool Corporation or Whirlpool Canada LP (hereafter "Whirlpool") will pay for Factory Specified Parts and repair labor to correct defects in materials or workmanship. Service must be provided by a Whirlpool designated service company. This limited warranty is valid only in the United States or Canada and applies only when the major appliance is used in the country in which it was purchased. Outside the 50 United States and Canada, this limited warranty does not apply. Proof of original purchase date is required to obtain service under this limited warranty.

ITEMS EXCLUDED FROM WARRANTY

This limited warranty does not cover:

1. Service calls to correct the installation of your major appliance, to instruct you on how to use your major appliance, to replace or repair house fuses, or to correct house wiring or plumbing.
2. Service calls to repair or replace appliance light bulbs, air filters or water filters. Consumable parts are excluded from warranty coverage.
3. Repairs when your major appliance is used for other than normal, single-family household use or when it is used in a manner that is contrary to published user or operator instructions and/or installation instructions.
4. Damage resulting from accident, alteration, misuse, abuse, fire, flood, acts of God, improper installation, installation not in accordance with electrical or plumbing codes, or use of consumables or cleaning products not approved by Whirlpool.
5. Cosmetic damage, including scratches, dents, chips or other damage to the finish of your major appliance, unless such damage results from defects in materials or workmanship and is reported to Whirlpool within 30 days from the date of purchase.
6. Any food loss due to refrigerator or freezer product failures.
7. Costs associated with the removal from your home of your major appliance for repairs. This major appliance is designed to be repaired in the home and only in-home service is covered by this warranty.
8. Repairs to parts or systems resulting from unauthorized modifications made to the appliance.
9. Expenses for travel and transportation for product service if your major appliance is located in a remote area where service by an authorized Whirlpool servicer is not available.
10. The removal and reinstallation of your major appliance if it is installed in an inaccessible location or is not installed in accordance with published installation instructions.
11. Major appliances with original model/serial numbers that have been removed, altered or cannot be easily determined. This warranty is void if the factory applied serial number has been altered or removed from your major appliance.

The cost of repair or replacement under these excluded circumstances shall be borne by the customer.

DISCLAIMER OF IMPLIED WARRANTIES; LIMITATION OF REMEDIES

CUSTOMER'S SOLE AND EXCLUSIVE REMEDY UNDER THIS LIMITED WARRANTY SHALL BE PRODUCT REPAIR AS PROVIDED HEREIN. IMPLIED WARRANTIES, INCLUDING WARRANTIES OF MERCHANTABILITY OR FITNESS FOR A PARTICULAR PURPOSE, ARE LIMITED TO ONE YEAR OR THE SHORTEST PERIOD ALLOWED BY LAW. WHIRLPOOL SHALL NOT BE LIABLE FOR INCIDENTAL OR CONSEQUENTIAL DAMAGES. SOME STATES AND PROVINCES DO NOT ALLOW THE EXCLUSION OR LIMITATION OF INCIDENTAL OR CONSEQUENTIAL DAMAGES, OR LIMITATIONS ON THE DURATION OF IMPLIED WARRANTIES OF MERCHANTABILITY OR FITNESS, SO THESE EXCLUSIONS OR LIMITATIONS MAY NOT APPLY TO YOU. THIS WARRANTY GIVES YOU SPECIFIC LEGAL RIGHTS, AND YOU MAY ALSO HAVE OTHER RIGHTS WHICH VARY FROM STATE TO STATE OR PROVINCE TO PROVINCE.

If outside the 50 United States and Canada, contact your authorized Whirlpool dealer to determine if another warranty applies.

If you need service, first see the "Troubleshooting" section of the Use & Care Guide. After checking "Troubleshooting," you may find additional help by checking the "Assistance or Service" section or by calling Whirlpool. In the U.S.A., call **1-800-253-1301**. In Canada, call **1-800-807-6777**.

9/07

Keep this book and your sales slip together for future reference. You must provide proof of purchase or installation date for in-warranty service.

Write down the following information about your major appliance to better help you obtain assistance or service if you ever need it. You will need to know your complete model number and serial number. You can find this information on the model and serial number label located on the product.

Dealer name _____

Address _____

Phone number _____

Model number _____

Serial number _____

Purchase date _____

SÉCURITÉ DE L'ENSEMBLE FOUR À MICRO-ONDES/HOTTE

Votre sécurité et celle des autres est très importante.

Nous donnons de nombreux messages de sécurité importants dans ce manuel et sur votre appareil ménager. Assurez-vous de toujours lire tous les messages de sécurité et de vous y conformer.



Voici le symbole d'alerte de sécurité.

Ce symbole d'alerte de sécurité vous signale les dangers potentiels de décès et de blessures graves à vous et à d'autres.

Tous les messages de sécurité suivront le symbole d'alerte de sécurité et le mot "DANGER" ou "AVERTISSEMENT". Ces mots signifient :

⚠ DANGER

Risque possible de décès ou de blessure grave si vous ne suivez pas immédiatement les instructions.

⚠ AVERTISSEMENT

Risque possible de décès ou de blessure grave si vous ne suivez pas les instructions.

Tous les messages de sécurité vous diront quel est le danger potentiel et vous disent comment réduire le risque de blessure et ce qui peut se produire en cas de non-respect des instructions.

IMPORTANTES INSTRUCTIONS DE SÉCURITÉ

Lors de l'utilisation de tout appareil ménager électrique on doit observer certaines précautions de sécurité fondamentales, dont les suivantes :

AVERTISSEMENT : Pour réduire le risque de brûlures, de choc électrique, d'incendie, de blessures et l'exposition excessive à l'énergie des micro-ondes :

- Lire la totalité des instructions avant d'utiliser le four à micro-ondes.
- Lire et observer les instructions spécifiques de "PRÉCAUTIONS CONTRE LE RISQUE D'EXPOSITION EXCESSIVE À L'ÉNERGIE DES MICRO-ONDES" dans cette section.
- Le four à micro-ondes doit être relié à la terre. Brancher l'appareil uniquement sur une prise de courant convenablement reliée à la terre. Voir les "INSTRUCTIONS DE LIAISON À LA TERRE" présentées dans cette section et dans les instructions d'installation fournies.
- Installer ou placer le four à micro-ondes uniquement selon les instructions d'installation fournies.
- Certains produits, comme les oeufs entiers dans leur coquille et les récipients fermés – par exemple les bocaux en verre fermés – peuvent exploser et on ne doit pas les faire chauffer dans le four à micro-ondes.
- Utiliser le four à micro-ondes uniquement pour les applications auxquelles il est destiné, telles qu'elles sont décrites dans ce manuel. Ne pas utiliser de vapeurs ou de produits chimiques corrosifs dans le four à micro-ondes. Ce type de four est spécifiquement conçu pour chauffer, cuire ou sécher des aliments. Il n'est pas conçu pour des applications industrielles ou de laboratoire.
- Comme pour tout appareil ménager, les enfants ne devraient utiliser ce four que sous une supervision adéquate.
- Ne pas faire fonctionner le four à micro-ondes si le cordon d'alimentation ou la fiche de branchement est endommagé, s'il ne fonctionne pas correctement, s'il a subi des dommages ou s'il est tombé.
- Tous les travaux de service doivent être exécutés exclusivement par un personnel d'entretien qualifié. Contacter un centre de service autorisé pour les opérations d'inspection, de réparation ou de réglage.
- Voir les instructions de nettoyage de la surface de la porte à la section "Entretien du four à micro-ondes".
- Pour réduire le risque d'incendie dans la cavité du four:
 - Ne pas faire cuire les aliments excessivement. Surveiller attentivement le four à micro-ondes après y avoir placé des produits en papier, en plastique ou autres matériaux combustibles pour faciliter la cuisson des aliments.
 - Enlever les attaches métalliques des sachets en papier ou en plastique avant de placer de tels sachets dans le four.
 - En cas d'inflammation de matériaux placés à l'intérieur du four, maintenir la porte du four fermée, arrêter le four, débrancher le four, ou interrompre l'alimentation électrique au niveau du tableau de distribution (fusible ou disjoncteur).
 - Ne pas utiliser la cavité du four comme espace de rangement. Ne pas laisser dans le four des produits en papier, ustensiles de cuisine ou produits alimentaires, lorsqu'il n'est pas utilisé.
- Les aliments trop volumineux ou des ustensiles en métal de grande taille ne doivent pas être insérés dans le four à micro-ondes car ils peuvent créer un incendie ou un risque de choc électrique.

CONSERVEZ CES INSTRUCTIONS

IMPORTANTES INSTRUCTIONS DE SÉCURITÉ

- Les liquides tels que l'eau, le café ou le thé peuvent trop chauffer – au-delà du point d'ébullition – sans sembler bouillir. Il n'y a pas toujours des bulles ou une ébullition lorsqu'on retire le récipient du four à micro-ondes. **À CAUSE DE CECI, DES LIQUIDES TRÈS CHAUDS POURRAIENT DÉBORDER LORSQU'ON BOUGE LE RÉCIPIENT OU QUE L'ON UTILISE UNE CUILLÈRE OU UN AUTRE USTENSILE POUR LE REMUER.**
Pour réduire le risque de blessures corporelles :
 - Ne pas trop faire chauffer le liquide.
 - Remuer le liquide avant et pendant le chauffage.
 - Ne pas utiliser de récipients à parois droites avec des ouvertures étroites.
 - Une fois chaud, laisser le récipient dans le four à micro-ondes un moment avant de le retirer.
 - Faire très attention lorsqu'on utilise une cuillère ou un autre ustensile dans le récipient.
- Convient à l'utilisation au-dessus des appareils de cuisson au gaz et électriques.
- Destiné à l'utilisation au-dessus des cuisinières avec une largeur maximale de 36 po (91,44 cm).
- Nettoyer souvent les hottes de ventilation. Il ne faut pas laisser la graisse s'accumuler sur la hotte ou le filtre.
- Ne pas nettoyer avec des tampons métalliques à récurer. Des pièces peuvent se détacher du tampon en brûlant et venir en contact avec des pièces électriques qui pourraient causer un risque de choc électrique.
- Ne pas utiliser des produits en papier lorsque l'appareil fonctionne au mode "PAN BROWN" (sur les modèles avec cette caractéristique).
- Ne pas remiser des matériaux autres que les accessoires recommandés par le fabricant dans ce four lorsqu'il n'est pas utilisé.
- Veiller à ne rien remiser directement sur le four lorsqu'il est en service.
- Lorsque vous flambez des aliments sous la hotte, mettre le ventilateur en marche.
- Nettoyer avec soin le filtre du ventilateur de la hotte. Des agents de nettoyage corrosifs, tels que les produits de nettoyage de four à base de soude, peuvent endommager le filtre.
- Ne pas couvrir ni obstruer toute ouverture sur le four à micro-ondes.
- Ne pas remiser ce four à micro-ondes à l'extérieur. Ne pas utiliser le four à micro-ondes à proximité d'eau - par exemple, près d'un évier de cuisine, dans un sous-sol humide ou près d'une piscine ou à un emplacement similaire.
- Ne pas immerger le cordon ou la fiche de branchement dans l'eau.
- Garder le cordon d'alimentation loin des surfaces chauffées.
- Ne pas laisser le cordon d'alimentation pendre sur le bord d'une table ou d'un comptoir.
- Ne pas faire le montage au-dessus d'un évier.
- Ne pas couvrir les grilles ou autre partie du four avec du papier métallique. Cette action causera un surchauffage du four.

CONSERVEZ CES INSTRUCTIONS

PRÉCAUTIONS CONTRE LE RISQUE D'EXPOSITION EXCESSIVE À L'ÉNERGIE DES MICRO-ONDES

- (a) Ne pas tenter de faire fonctionner ce four lorsque la porte est ouverte, car ceci pourrait susciter une exposition dangereuse à l'énergie des micro-ondes. Il est important de ne pas entraver le fonctionnement correct du dispositif de verrouillage de sécurité.
- (b) Ne pas placer d'objet entre la surface avant du four et la porte, et ne jamais laisser des souillures ou résidus de produits de nettoyage s'accumuler sur les surfaces d'étanchéité.
- (c) Ne pas faire fonctionner le four lorsqu'il est endommagé. Il est particulièrement important que la porte du four ferme convenablement et que les composants suivants ne soient pas endommagés :
 - (1) Porte (déformation),
 - (2) Charnières et dispositif de verrouillage (brisés ou desserrés),
 - (3) Joints de porte et surfaces d'étanchéité.
- (d) Seul un personnel d'entretien qualifié est habilité à exécuter des réparations ou réglages sur cet appareil.

⚠ AVERTISSEMENT



Risque de choc électrique

- Brancher sur une prise à 3 alvéoles reliée à la terre.**
- Ne pas enlever la broche de liaison à la terre.**
- Ne pas utiliser un adaptateur.**
- Ne pas utiliser un câble de rallonge.**
- Le non-respect de ces instructions peut causer un décès, un incendie ou un choc électrique.**

Observer les dispositions de tous les codes et règlements en vigueur.

Nécessaire :

- Une alimentation électrique de 120 volts, 60 Hz, CA seulement, 15 ou 20 ampères, protégée par un fusible ou un disjoncteur.

Recommandé :

- Un fusible temporisé ou un disjoncteur temporisé.
- Un circuit distinct exclusif à ce four à micro-ondes.

INSTRUCTIONS DE LIAISON À LA TERRE

■ Pour tout appareil ménager connecté par un cordon de courant électrique :

Il faut que le four à micro-ondes soit relié à la terre. En cas de court-circuit électrique, la liaison à la terre réduit le risque de choc électrique car le courant électrique dispose d'un itinéraire direct d'acheminement à la terre. Le four à micro-ondes est doté d'un cordon de courant électrique qui comporte un fil de liaison à la terre, avec broche de liaison à la terre. On doit brancher la fiche sur une prise de courant convenablement installée et reliée à la terre.

AVERTISSEMENT : L'utilisation incorrecte du dispositif de liaison à la terre peut susciter un risque de choc électrique. L'utilisateur qui ne comprend pas bien les instructions de liaison à la terre, ou qui n'est pas certain que le four à micro-ondes soit convenablement relié à la terre, devrait consulter un électricien qualifié.

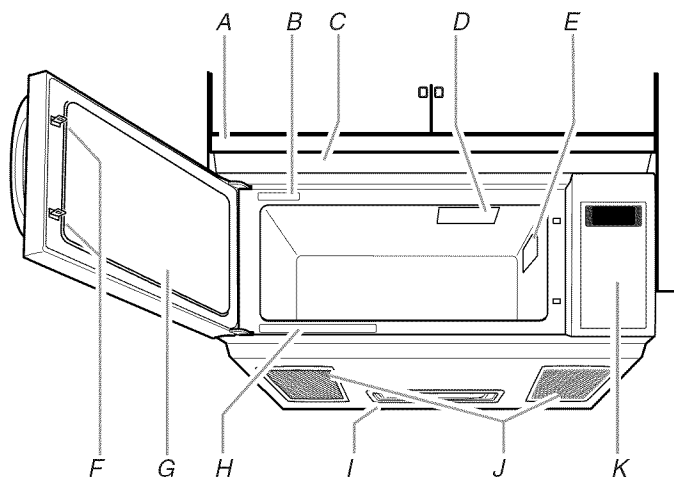
Ne pas utiliser un câble de rallonge. Si le cordon de courant électrique est trop court, demander à un électricien qualifié d'installer une prise de courant à proximité du four à micro-ondes.

CONSERVEZ CES INSTRUCTIONS

Ce dispositif est conforme à la section 18 des règlements FCC.

PIÈCES ET CARACTÉRISTIQUES

Ce manuel peut couvrir différents modèles. Le modèle que vous avez acheté peut avoir certaines ou toutes les caractéristiques énumérées. L'apparence des caractéristiques illustrées ici peut ne pas correspondre exactement à celle de votre modèle.



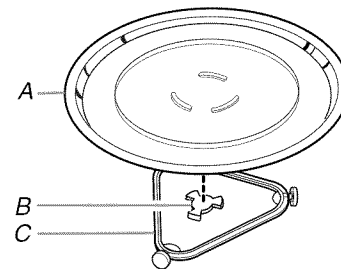
- A. Grille d'évent
- B. Plaque signalétique des numéros de modèle et de série
- C. Filtre à charbon (derrière la grille d'évent)
- D. Lampe du four à micro-ondes
- E. Couvercle - orifice d'introduction des micro-ondes
- F. Système de verrouillage de la porte

- G. Hublot avec grille métallique
- H. Étiquette du guide de cuisson
- I. Lampe de la table de cuisson
- J. Filtres à graisse
- K. Tableau de commande

Pièces et caractéristiques non illustrées

Plateau rotatif

Plateau rotatif



- A. Plateau rotatif
- B. Axe
- C. Support

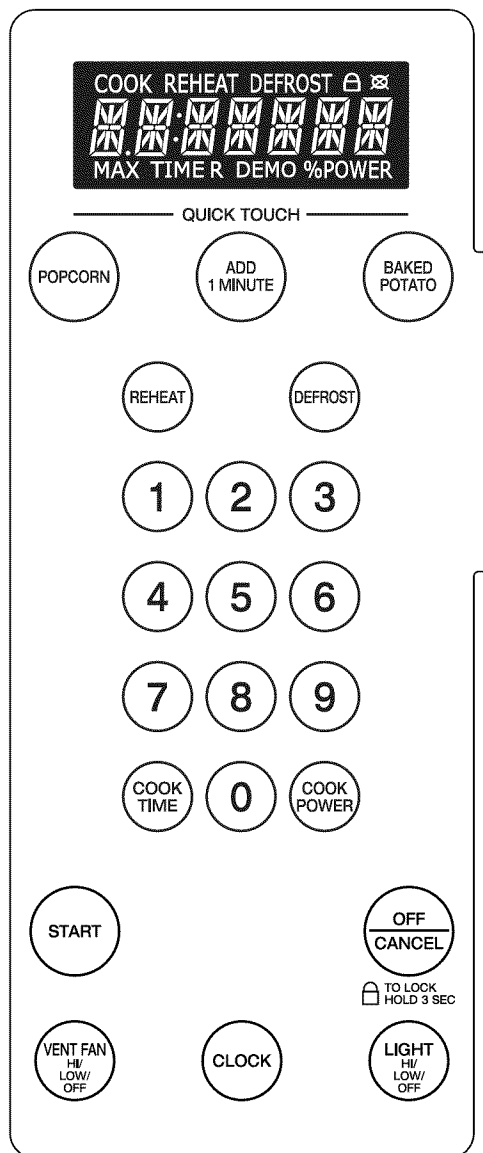
Le plateau rotatif tourne dans les deux sens pour permettre une cuisson plus uniforme. Pour les meilleurs résultats de cuisson, ne pas faire fonctionner le four à micro-ondes sans que le plateau rotatif ne soit en place. Voir "Assistance ou service" pour passer une nouvelle commande de pièces.

Installation :

1. Ôter le ruban adhésif de l'axe.
2. Placer le support sur le fond de la cavité du four à micro-ondes.
3. Placer le plateau rotatif sur le support.

Insérer les protubérances arrondies au centre du dessous du plateau rotatif entre les trois rayons de l'axe. Les roulettes sur le support devraient se loger à l'intérieur du pourtour cranté du dessous du plateau rotatif.

TABLEAU DE COMMANDE DU FOUR À MICRO-ONDES



Affichage

Lors de la mise sous tension initiale du four à micro-ondes, “.” clignotera sur l’affichage. Appuyer sur OFF CANCEL (arrêt annulation) pour arrêter le clignotement. Si “.” clignote sur l’affichage à tout autre moment, une panne de courant s’est produite. Appuyer sur OFF CANCEL et régler de nouveau l’horloge au besoin.

Si une valeur invalide a été entrée, les signaux sonores d’entrée invalide sont émis et le message d’entrée de données réapparaît sur l’afficheur. Essayer de nouveau.

Lors de l’utilisation du four à micro-ondes, la puissance de cuisson, les quantités, les poids et/ou messages s’affichent. Lorsque le four à micro-ondes n’est pas utilisé (mode de veille), l’afficheur indique l’heure ou le compte à rebours de la minuterie. La vitesse de défilement du texte peut être réglée, si nécessaire.

Pour régler la vitesse de défilement :

1. Appuyer sur CLOCK (horloge) pendant 3 secondes jusqu’à l’émission de 2 signaux sonores.
2. Appuyer sur la touche numérique “1” pour une vitesse LENTE, “2” pour une vitesse NORMALE et “3” pour une vitesse RAPIDE.
3. Appuyer sur START (mise en marche) pour enregistrer le réglage.

La langue de l’affichage peut être modifiée.

Pour changer la langue :

1. Appuyer sur la touche “0” pendant 3 secondes jusqu’à l’émission de 2 signaux sonores.
2. Appuyer sur la touche “1” pour sélectionner ANGLAIS et sur la touche “2” pour sélectionner FRANÇAIS.
3. Appuyer sur START pour confirmer le choix de langue.

Mise en marche

La touche START (mise en marche) met en marche toute fonction. Si on n’appuie pas sur cette touche dans les 5 secondes après avoir appuyé sur une touche, “PRESS START” (appuyer sur START) s’affiche à titre de rappel. Si on n’appuie pas sur cette touche dans les 2 minutes après avoir appuyé sur une touche, l’afficheur retourne au mode de l’heure et la fonction programmée est annulée.

Si la cuisson est interrompue par l’ouverture de la porte, il suffit d’appuyer sur START pour reprendre le programme pré-réglé.

Si le four à micro-ondes n’est pas utilisé et que la porte n’a pas été ouverte dans les 5 dernières minutes, la fonction de cuisson ne se met pas en marche. Ceci évite la mise en marche involontaire du four à micro-ondes. Ouvrir et fermer la porte, puis appuyer sur START pour démarrer le programme de cuisson.

Arrêt annulation

La touche OFF CANCEL (arrêt annulation) arrête la plupart des fonctions sauf le verrouillage des commandes.

Le four à micro-ondes s’arrête également lorsqu’on ouvre la porte. Fermer la porte et appuyer sur START (mise en marche) pour reprendre le programme.

Ajouter 1 minute

La commande ADD 1 MINUTE (ajouter 1 minute) met le four à micro-ondes en marche automatiquement à puissance maximale pendant 1 minute, et ajoute 1 minute de cuisson supplémentaire (jusqu'à 10 minutes) à chaque fois qu'on appuie à nouveau sur la commande.

En appuyant sur ADD 1 MINUTE lors d'un programme de cuisson manuel, on ajoute 1 minute de durée de cuisson à la même puissance.

Si le four à micro-ondes n'est pas utilisé et que la porte n'a pas été ouverte dans les 5 dernières minutes, la commande ADD 1 MINUTE ne mettra pas en marche le programme de cuisson. Ceci évite la mise en marche involontaire du four à micro-ondes. Ouvrir et fermer la porte, puis appuyer sur ADD 1 MINUTE pour démarrer le programme de cuisson.

Horloge

Cette horloge standard de 12 heures (12:00-11:59) n'affiche pas a.m. ou p.m.

Réglage :

Le four à micro-ondes et la minuterie doivent être désactivés.

1. Appuyer sur CLOCK (horloge).
2. Appuyer sur les touches numériques pour régler l'heure.
3. Appuyer sur CLOCK ou START (mise en marche).

Effacement :

1. Appuyer sur CLOCK.
 2. Appuyer sur 0.
 3. Appuyer sur CLOCK.
L'heure s'efface et “:.” apparaît sur l'afficheur.
-

Signaux sonores

Les signaux sonores peuvent être désactivés.

Désactivation/activation des signaux sonores d'entrée

valide : Alors que le four à micro-ondes est en mode de veille, appuyer sur la touche numérique “1” pendant 3 secondes jusqu'à l'émission de 2 signaux sonores. Appuyer sur la touche numérique “1” pour réactiver tous les signaux sonores.

Pour désactiver tous les signaux sonores (sauf les signaux de caractéristique dissimulée) :

Alors que le four à micro-ondes est en mode de veille, appuyer sur la touche numérique “2” pendant 3 secondes jusqu'à l'émission de 2 signaux sonores. Appuyer sur la touche numérique “2” pour réactiver les signaux sonores.

Ces signaux sonores indiquent ce qui suit :

Un signal sonore

- Entrée valide (signal court)

Deux signaux sonores

- Fin d'étape pour la cuisson par étapes
- Verrouillage des commandes activé
- Entrée ou sortie d'une caractéristique dissimulée
- Signaux de rappel émis à intervalles de 1 minute après le signal sonore de fin de programme

Trois signaux sonores

- Entrée invalide

Quatre signaux sonores

- Fin de programme
-

Verrouillage des commandes

Le verrouillage des commandes désactive les touches du tableau de commande pour empêcher l'utilisation involontaire du four à micro-ondes.

Lorsque le tableau de commande est verrouillé, seules les touches du ventilateur d'évacuation et de la lampe fonctionnent. Si on appuie sur n'importe quelle autre touche, “LOCKED” (verrouillé) s'affiche et les signaux sonores d'entrée invalide sont émis.

Pour verrouiller/déverrouiller les commandes : Le four à micro-ondes doit être en mode de veille. Appuyer sur OFF CANCEL (arrêt annulation) pendant 3 secondes jusqu'à l'émission de 2 signaux sonores et l'affichage d'un cadenas. Répéter pour déverrouiller et effacer le cadenas sur l'afficheur.

Ventilateur d'évacuation

Le ventilateur d'évacuation comporte 2 vitesses : high (élevée) et low (basse).

Si la température de la cuisinière ou de la table de cuisson placée sous le four à micro-ondes est trop élevée, le ventilateur d'évacuation se met automatiquement en marche à vitesse rapide. Il peut rester en marche pendant 1 heure maximum pour refroidir le four à micro-ondes. Lorsque ceci se produit, il est impossible d'éteindre le ventilateur. Si on appuie sur la touche du ventilateur au cours du fonctionnement automatique du ventilateur, “AUTO FAN IS ON, FAN SPEED WILL REMAIN ON UNTIL HEAT IS NO LONGER SENSED” (le ventilateur automatique est en marche, la vitesse du ventilateur sera maintenue jusqu'à ce qu'aucune chaleur ne soit détectée) défilera sur l'afficheur à titre de rappel.

Le ventilateur d'évacuation sert aussi de ventilateur de refroidissement; il se met en marche à vitesse lente lorsqu'une fonction de cuisson démarre. Il reste allumé jusqu'à la fin de la fonction de cuisson.

Marche/arrêt du ventilateur d'évacuation : Appuyer une fois sur la touche VENT FAN (ventilateur d'évacuation) pour la vitesse élevée, 2 fois pour la vitesse basse ou 3 fois pour l'éteindre.

Lampe de la table de cuisson

La lampe de la table de cuisson comporte 3 réglages : elle peut être vive, faible ou éteinte.

Activation/désactivation : Appuyer une fois sur la touche LIGHT (lampe) pour une lumière vive, deux fois pour une lumière faible, trois fois pour l'éteindre.

UTILISATION DU FOUR À MICRO-ONDES

Un magnétron dans le four à micro-ondes produit des micro-ondes qui rebondissent de la base, des parois et de la voûte en métal et qui passent à travers le plateau rotatif et les ustensiles de cuisson appropriés pour atteindre l'aliment. Les micro-ondes sont attirées et absorbées par le gras, le sucre et les molécules d'eau dans les aliments et font déplacer ces molécules, en produisant une friction et une chaleur qui fait cuire les aliments.

- Pour éviter d'endommager le four à micro-ondes, ne pas s'appuyer ou laisser les enfants se balancer sur la porte du four à micro-ondes.
- Pour éviter d'endommager le four à micro-ondes, ne pas faire fonctionner le four à micro-ondes à vide.
- Les biberons et les petits pots d'aliments pour bébés ne doivent pas être chauffés dans le four à micro-ondes.
- Les vêtements, fleurs, fruits, herbes, bois, gourdes, papier, y compris les sacs en papier brun et les journaux ne doivent pas être séchés dans le four à micro-ondes.
- La paraffine ne fondra pas dans le four à micro-ondes car elle n'absorbe pas les micro-ondes.
- Utiliser des mitaines de four ou des maniques lors de l'enlèvement de contenants du four à micro-ondes.
- Ne pas faire cuire les pommes de terre excessivement. À la fin de la durée de cuisson recommandée, les pommes de terre devraient être légèrement fermes. Laisser les pommes de terre reposer pendant 5 minutes. Elles achèveront de cuire pendant cette période.
- Ne pas faire cuire ou réchauffer des œufs entiers avec leur coquille. La vapeur accumulée dans les œufs entiers pourrait les faire éclater, ce que exigerait le nettoyage significatif de la cavité du four à micro-ondes. Recouvrir les œufs pochés et les laisser reposer.

Caractéristiques des aliments

Lors de la cuisson au four à micro-ondes, la quantité, la taille, la forme, la température de début, la composition et la densité de l'aliment affectent les résultats de cuisson.

Quantité d'aliments

La quantité d'aliments chauffés influencera la durée de cuisson. Vérifier le degré de cuisson et prolonger légèrement la durée si nécessaire.

Taille et forme

Des morceaux plus petits d'aliments cuiront plus vite que les gros morceaux, et les aliments uniformes cuiront plus également que les aliments de forme irrégulière.

Température de début

Les aliments à température ambiante chaufferont plus vite que les aliments réfrigérés, et les aliments réfrigérés chaufferont plus vite que les aliments congelés.

Composition et densité

Les aliments à haute teneur en gras et en sucre atteindront une température plus élevée et chaufferont plus vite que les autres. Les aliments lourds et denses, tels que la viande et les pommes de terre, demandent un temps de cuisson plus long qu'un aliment de la même taille, léger et poreux tel que les gâteaux.

Guide de cuisson

Recouvrement

Le recouvrement des aliments aide à retenir l'humidité, réduire le temps de cuisson et réduire les éclaboussures. Utiliser le couvercle fourni avec l'ustensile de cuisson. S'il n'y a pas de couvercle disponible, du papier paraffiné, un essuie-tout ou de la pellicule de plastique approuvée pour les micro-ondes peuvent être utilisés. La pellicule de plastique doit être retournée à un coin pour fournir une ouverture à l'échappement de la vapeur. La condensation sur les surfaces de la porte et de la cavité est normale pendant une cuisson intense.

Remuer et tourner

Remuer et tourner les aliments redistribue la chaleur de manière égale pour éviter la cuisson excessive des bords des aliments. Mélanger de l'extérieur vers le centre. Si possible, retourner les aliments.

Disposition

S'il s'agit d'aliments de forme irrégulière ou de dimensions différentes, les parties plus minces et les morceaux plus petits doivent être disposés près du centre. Si l'on cuit plusieurs aliments de même taille et de même forme, les placer dans un cercle, en laissant le centre du cercle vide.

Dégagement de la pression

Avant le chauffage, utiliser une fourchette ou un petit couteau pour percer les aliments qui ont une peau ou une membrane, tels que les pommes de terre, jaunes d'œufs, foies de poulet, hot dogs et saucisses. Percer en plusieurs endroits pour laisser échapper la vapeur.

Protection

Utiliser du papier d'aluminium en petits morceaux plats pour protéger les parties minces d'aliments de forme irrégulière, les os, et des aliments tels que les ailes et pilons de poulet et les queues de poisson. Voir en premier "Papier d'aluminium et métal".

Temps de repos

Les aliments continueront à cuire par la conduction naturelle de la chaleur même lorsque le programme de micro-ondes sera terminé. La durée du temps de repos dépend du volume et de la densité de l'aliment.

Ustensiles de cuisson et vaisselle

Les ustensiles de cuisson et la vaisselle doivent pouvoir être placés sur le plateau rotatif. Toujours utiliser des mitaines de four ou des maniques lors de la manipulation parce que tout plat peut devenir chaud à cause de la chaleur transmise par les aliments. Ne pas utiliser des ustensiles de cuisson ou de la vaisselle avec une garniture en or ou en argent. Utiliser le tableau suivant comme guide, ensuite faire un test avant l'utilisation.

MATÉRIAU	RECOMMANDATIONS
Papier d'aluminium, métal	Voir la section "Papier d'aluminium et métal".
Plat brunisseur	La base doit être au moins à 3/16" (5 mm) au-dessus du plateau rotatif. Suivre les recommandations du fabricant.
Vitrocéramique, verre	Peut être utilisé.
Porcelaine, faïence	Suivre les recommandations du fabricant.
Mélatamine	Suivre les recommandations du fabricant.
Papier : essuie-tout, vaisselle, serviettes de table	Utiliser des produits non recyclés et ceux qui sont approuvés par le fabricant pour utilisation au four à micro-ondes.
Plastique : pellicule, sacs, couvercles, vaisselle, contenants	Utiliser des produits approuvés par le fabricant pour utilisation au four à micro-ondes.
Poterie et argile	Suivre les recommandations du fabricant.
Ustensile de cuisson en silicone	Suivre les recommandations du fabricant.
Paille, osier, contenants en bois	Ne pas utiliser au four à micro-ondes.
Papier paraffiné	Peut être utilisé.

Pour tester l'ustensile de cuisson ou la vaisselle pour utilisation au four à micro-ondes :

1. Placer l'ustensile de cuisson ou la vaisselle dans le four à micro-ondes avec 1 tasse (250 mL) d'eau à côté de l'article.
2. Faire cuire à la puissance de cuisson maximale pendant 1 minute.

Ne pas utiliser cet ustensile de cuisson ou cet article de vaisselle s'il devient chaud alors que l'eau demeure froide.

Papier d'aluminium et métal

Toujours utiliser des mitaines de four ou des maniques pour enlever des plats du four à micro-ondes.

Le papier d'aluminium et certains métaux peuvent être utilisés dans le four à micro-ondes. Si ces articles ne sont pas bien utilisés, des arcs (un éclair bleu) peuvent survenir et causer des dommages au four à micro-ondes.

Utilisation possible

Les grilles et les ustensiles de cuisson fournis avec le four à micro-ondes (sur certains modèles), le papier d'aluminium pour protection et les thermomètres à viande approuvés peuvent être utilisés avec les précautions suivantes :

- Pour éviter d'endommager le four à micro-ondes, ne pas laisser le papier d'aluminium ou le métal toucher les parois, le plafond ou le fond de la cavité intérieure.
- Toujours utiliser le plateau rotatif.
- Pour éviter d'endommager le four à micro-ondes, ne pas permettre un contact avec un autre objet en métal durant la cuisson.

Utilisation à éviter

Les ustensiles de cuisson au four en métal, l'or, l'argent, l'étain, les thermomètres à viande non approuvés, les brochettes, les attaches, les doublures de papier d'aluminium telles que les enveloppes à sandwich, les agrafes et objets avec garniture en or ou en argent ou avec un enduit métallique ne doivent pas être utilisés dans le four à micro-ondes.

Puissance de cuisson des micro-ondes

De nombreuses recettes de four à micro-ondes précisent quelle puissance de chauffage doit être utilisée par pourcentage ou nom. Par exemple, 70 % = Moyen-élevé.

Utiliser le tableau suivant comme guide général pour la puissance de chauffage suggérée pour les aliments spécifiques.

POURCENTAGE/ NOM	UTILISATION
100 %, Élevé (réglage par défaut)	Chauffage rapide d'aliments minute et d'aliments à haute teneur en eau, tels que les soupes, les boissons et la plupart des légumes.
90 %	Cuisson de petits morceaux tendres de viande, viande hachée, morceaux de volaille, filets de poisson. Réchauffage de soupes en crème.
80 %	Réchauffage de riz, pâtes ou mets en sauce remuables. Cuisson et réchauffage d'aliments qui ont besoin d'une puissance de chauffage inférieure à la puissance élevée. Par exemple, poisson entier et pain de viande.
70 %, Moyen-élevé	Réchauffage d'une seule portion d'aliments.
60 %	Cuisson d'aliments sensibles tels que les mets à base d'œufs et de fromage, pudding et crèmes anglaises. Cuisson de mets en sauce non remuables tels que les lasagnes.
50 %, Moyen	Cuisson de jambon, de volaille entière et de morceaux de viande à braiser. Mijotage de ragoûts.
40 %	Pour faire fondre le chocolat. Chauffage du pain, de petits pains et pâtisseries.
30 %, Moyen-faible, Décongélation	Décongélation de pain, poisson, viandes, volaille et aliments précuits.
20 %	Amollir le beurre, le fromage et la crème glacée.
10 %, Faible	Mettre les fruits à température ambiante.

Cuisson manuelle

Utilisation :

1. Placer les aliments sur le plateau rotatif et fermer la porte.
2. Appuyer sur COOK TIME (durée de cuisson), puis entrer une durée de cuisson.
En cas de cuisson à la puissance maximale, passer directement à l'étape 4.
3. Appuyer sur COOK POWER (puissance de cuisson), puis entrer le niveau de puissance désiré avec la touche numérique appropriée
ou
Appuyer à plusieurs reprises sur COOK POWER (puissance de cuisson) pour sélectionner le niveau de puissance désiré. Voir le tableau "Puissance de cuisson des micro-ondes".
4. Appuyer sur START (mise en marche).
Le compte à rebours de la durée de cuisson s'affiche.
À la fin du programme, "END" (fin) apparaît sur l'afficheur, et les signaux de fin de programme sont émis, suivis de signaux de rappel.
5. Appuyer sur OFF CANCEL (arrêt annulation) ou ouvrir la porte pour effacer l'afficheur et/ou arrêter les signaux de rappel.

La durée et la puissance de cuisson peuvent être modifiées après avoir appuyé sur START sans interrompre la cuisson.

Modification de la durée de cuisson : Appuyer sur COOK TIME (durée de cuisson). Le compte à rebours fera une pause pendant quelques secondes. Entrer la nouvelle durée de cuisson et appuyer sur START (mise en marche) ou attendre quelques secondes que le compte à rebours reprenne.

Modification de la puissance de cuisson : Appuyer à plusieurs reprises sur COOK POWER (puissance de cuisson) pour faire défiler les niveaux de puissance de cuisson. Appuyer sur START (mise en marche).

Cuisson par étapes

Le four à micro-ondes peut être réglé pour une cuisson manuelle à différentes puissances de cuisson pendant diverses durées, jusqu'à 2 étapes.

Cuisson par étapes :

1. Placer les aliments sur le plateau rotatif et fermer la porte.
2. Appuyer sur COOK TIME (durée de cuisson), puis entrer la durée de cuisson pour la première étape.
En cas de cuisson à la puissance maximale, passer directement à l'étape 4.
3. Appuyer sur COOK POWER (puissance de cuisson), puis entrer le niveau de puissance désiré pour la première étape. Voir le tableau "Puissance de cuisson des micro-ondes".
4. Répéter les étapes 2 et 3 pour la deuxième étape.

5. Appuyer sur START (mise en marche).

Le compte à rebours de chacune des durées de cuisson s'affiche. L'afficheur alternera entre "STEP 1" (étape 1) et "STEP 2" (étape 2) toutes les 30 secondes au cours des étapes respectives.

À la fin du programme, "END" (fin) apparaît sur l'afficheur, et les signaux de fin de programme sont émis, suivis de signaux de rappel.

6. Appuyer sur OFF CANCEL (arrêt annulation) ou ouvrir la porte pour effacer l'afficheur et/ou arrêter les signaux de rappel.

La durée et la puissance de cuisson de l'étape en cours peuvent être modifiées après avoir appuyé sur START (mise en marche), sans interrompre la cuisson.

Pour changer la durée de cuisson : Appuyer sur COOK TIME (durée de cuisson). Le compte à rebours s'interrompt pendant quelques secondes. Entrer la nouvelle durée de cuisson et appuyer sur START (mise en marche) ou attendre quelques secondes pour la reprise du compte à rebours.

Pour changer la puissance de cuisson : Appuyer à plusieurs reprises sur COOK POWER (puissance de cuisson) pour parcourir la liste des niveaux de puissance de cuisson. Appuyer sur START (mise en marche).

Maïs éclaté

La durée d'éclatement a été pré-réglée en fonction des emballages commerciaux de maïs à éclater pour micro-ondes. Les programmes pré-réglés conviennent aux sachets de 3,5 oz (99 g), 3 oz (85 g) et 1,75 oz (50 g). Pour des sacs dont les dimensions ne figurent pas dans cette section, suivre les indications de l'emballage.

REMARQUE : Pendant la fonction Maïs éclaté, comme avec toutes les fonctions de cuisson du micro-ondes, on doit toujours suivre la cuisson du four à micro-ondes. Attendre que l'éclatement ralentisse à 1 éclatement toutes les 1 ou 2 secondes, puis mettre fin au programme.

- Pour éviter d'endommager le four à micro-ondes, ne pas utiliser de sacs de papier ordinaire ou d'articles en verre.
- Ne préparer qu'un sac de maïs à éclater à la fois.
- Suivre les instructions du fabricant lors de l'utilisation de l'éclateur de maïs pour four à micro-ondes.
- Pour les meilleurs résultats de cuisson, ne pas essayer de faire éclater les grains qui n'ont pas éclaté.
- Utiliser des sacs de maïs à éclater frais pour des résultats optimaux.
- Les résultats de cuisson peuvent varier en fonction de la marque et de la teneur en matières grasses.
- Si la quantité de maïs éclaté est insuffisante, essayer la procédure suivante : mettre un plat allant au micro-ondes à l'envers sur le plateau rotatif, placer un sachet de maïs éclaté frais sur le plat; puis, mettre le programme en marche.

REMARQUE : Les durées de cuisson du maïs à éclater sont programmées pour cuire 15 secondes de plus que la durée nécessaire à l'éclatement. Au cours de cette période de 15 secondes, le magnétron est éteint et le four à micro-ondes refroidit. Ceci permet au four à micro-ondes d'éclater un autre sac de maïs immédiatement après le programme.

Utilisation de la fonction POPCORN (maïs éclaté) :

1. Placer le sachet de maïs éclaté sur le plateau rotatif et fermer la porte.
2. Appuyer sur POPCORN.
La liste des tailles de sachet défile à l'écran.
3. Entrer la taille du sachet, en onces, à l'aide des touches numériques (les chiffres invalides ne seront pas acceptés)
ou
Appuyer à plusieurs reprises sur POPCORN pour faire défiler la liste des tailles de sachet.
4. Appuyer sur START (mise en marche).
L'afficheur procède à un compte à rebours jusqu'à l'éclatement.
À la fin du programme d'éclatement du maïs, "END" (fin) apparaît sur l'afficheur, et les signaux de fin de programme sont émis, suivis de signaux de rappel.
5. Appuyer sur OFF CANCEL (arrêt annulation) ou ouvrir la porte pour effacer l'afficheur et/ou arrêter les signaux de rappel.

Pomme de terre au four

Une à quatre pommes de terre de 10 onces (283 g) peuvent être cuites automatiquement au four à micro-ondes en utilisant la fonction Baked Potato (pomme de terre au four).

- Percer plusieurs fois chaque pomme de terre avec une fourchette.
- Placer une seule pomme de terre sur le plateau rotatif, éloignée du bord (mais pas centrée). Placer 2, 3 ou 4 pommes de terre sur le pourtour du plateau rotatif, à au moins 1" (2,5 cm) les unes des autres.
- Laisser la(les) pomme(s) de terre reposer pendant 5 minutes après la cuisson.

Cuisson de pommes de terre au four :

1. Placer la(les) pomme(s) de terre sur le plateau rotatif et fermer la porte.
2. Appuyer sur BAKED POTATO (pomme de terre au four).
3. Entrer le nombre de pommes de terre
ou
Appuyer sur la touche BAKED POTATO à plusieurs reprises pour sélectionner un chiffre.
4. Appuyer sur START (mise en marche).
Le compte à rebours de la durée de cuisson s'affiche.
À la fin du programme, "END" (fin) apparaît sur l'afficheur, et les signaux de fin de programme sont émis, suivis de signaux de rappel.
5. Appuyer sur OFF CANCEL (arrêt annulation) ou ouvrir la porte pour effacer l'afficheur et/ou arrêter les signaux de rappel.

Réchauffage

Les durées et puissances de cuisson ont été pré-réglées pour le réchauffage de types d'aliment précis. Utiliser le tableau suivant comme guide.

ALIMENT	TOUCHE	QUANTITÉ/INSTRUCTIONS
Pizza	1	1 à 3 tranches, 3 oz (85 g) chacune (réfrigérée)/ Placer la ou les tranches de pizza sur un essuie-tout ou une assiette en carton.
Mets en sauce	2	1 à 4 tasses (250 mL à 1 L)/ Placer dans un contenant pour micro-ondes et recouvrir d'une pellicule de plastique. Remuer et laisser reposer pendant 2 à 3 minutes après le réchauffage.
Assiettée	3	1 portion (1 assiette), 8 à 10 oz (227 à 283 g)/ Placer le mets sur une assiette, le recouvrir d'une pellicule de plastique et laisser une ouverture d'échappement de l'air. Laisser reposer 2 à 3 minutes après le réchauffage.
Soupe/Sauce	4	1 à 4 tasses (250 mL à 1 L)/ Placer dans un contenant pour micro-ondes. Recouvrir d'une pellicule de plastique et laisser une ouverture d'échappement de l'air. Remuer et laisser reposer pendant 2 à 3 minutes après le réchauffage.
Produits de boulangerie (exemple : muffin ou bagel moyen)	5	1 à 6 morceaux, 2 oz (57 g) chacun*/ Placer sur un essuie-tout.

*Pour des pains plus petits, compter 2 petits pains pour 1 pièce.

Utilisation de la fonction de réchauffage :

1. Placer les aliments sur le plateau rotatif et fermer la porte.
2. Appuyer sur REHEAT (réchauffage).
3. Sélectionner l'aliment en entrant le numéro indiqué dans le tableau
ou
Appuyer à plusieurs reprises sur REHEAT pour faire défiler la liste des aliments.
4. Entrer la quantité.
5. Appuyer sur START (mise en marche).
Le compte à rebours de la durée de réchauffage s'affiche.
À la fin du programme, "END" (fin) apparaît sur l'afficheur, et les signaux de fin de programme sont émis, suivis de signaux de rappel.
6. Appuyer sur OFF CANCEL (arrêt annulation) ou ouvrir la porte pour effacer l'afficheur et/ou arrêter les signaux de rappel.

Pour le réchauffage manuel : Suivre les instructions de la section "Cuisson manuelle", et régler la puissance de cuisson à 70 %. Voir le tableau "Puissance de cuisson des micro-ondes".

Décongélation

Pour la décongélation, on peut utiliser la caractéristique Auto Defrost (décongélation automatique) ou régler manuellement le four à micro-ondes.

- Déballer les aliments et enlever les couvercles (des contenants à jus de fruit par exemple) avant la décongélation.
- Les paquets peu épais décongèlent plus rapidement que les blocs épais.
- Séparer les morceaux d'aliment le plus tôt possible durant ou à la fin du programme pour une décongélation plus uniforme.
- Utiliser de petits morceaux de papier d'aluminium pour protéger les aliments tels que les ailes et pilons de poulet et les queues de poisson. Voir d'abord "Papier d'aluminium et métal".

Le système Auto Defrost (décongélation automatique) comporte 3 catégories : viande, volaille et poisson. Il ne doit pas être utilisé pour un aliment laissé à l'extérieur du congélateur pendant plus de 20 minutes et pour les plats cuisinés surgelés. Utiliser le tableau suivant comme guide.

VIANDE

Bœuf : haché, steaks, rôti, ragoût

Les sections étroites ou grasses des morceaux de forme irrégulière doivent être recouvertes de papier d'aluminium avant la décongélation.

Agneau : ragoût et côtelettes

Ne pas décongeler moins de 1/4 lb (113 g) ou 2 galettes de 4 oz (113 g).

Porc : côtelettes, côtes, rôtis, saucisse

Placer toutes les viandes dans un plat de cuisson allant au micro-ondes.

VOLAILLE

Poulet : entier et en morceaux
Poulets de Cornouailles

Placer dans un plat de cuisson allant au micro-ondes, la poitrine de poulet vers le haut.

Dinde : poitrine

POISSON

Filets, darnes, entier, crustacés

Placer dans un plat de cuisson allant au four à micro-ondes.

Utilisation du mode de décongélation automatique :

1. Déballer les aliments, les placer sur le plateau rotatif et fermer la porte.
2. Appuyer sur DEFROST (décongélation).
3. Sélectionner le type d'aliment en appuyant sur 1 pour la viande, 2 pour la volaille ou 3 pour le poisson
ou
Appuyer à plusieurs reprises sur DEFROST pour faire défiler la liste des aliments.
4. Entrer le poids en livres.
Les viandes et la volaille peuvent être réglées de 0,2 à 6,6 lb (90 g à 3 kg).
Le poisson peut être réglé de 0,2 à 4,4 lb (90 g à 2 kg).
5. Appuyer sur START (mise en marche).
Le compte à rebours de la durée de décongélation s'affiche.
À la fin du programme, "END" (fin) apparaît sur l'afficheur, et les signaux de fin de programme sont émis, suivis de signaux de rappel.
6. Appuyer sur OFF CANCEL (arrêt annulation) ou ouvrir la porte pour effacer l'afficheur et/ou arrêter les signaux de rappel.

Utilisation du mode de décongélation manuelle : Suivre les instructions de la section "Cuisson manuelle", et régler la puissance de cuisson à 30 %. Voir le tableau "Puissance de cuisson des micro-ondes".

ENTRETIEN DU FOUR À MICRO-ONDES

Nettoyage général

IMPORTANT : Avant le nettoyage, s'assurer que toutes les commandes sont désactivées et que le four à micro-ondes est froid. Toujours suivre les instructions sur l'étiquette des produits de nettoyage.

Le savon, l'eau et un linge doux ou une éponge sont suggérés à moins d'avis contraire.

FILTRES À GRAISSE

Ne pas utiliser d'ammoniaque ou d'agents de nettoyage corrosifs tels que des nettoyants à four à base de soude.

- Eau chaude et détergent doux :
Faire tremper les filtres, puis les frotter et les agiter pour déloger la saleté et la graisse incrustées. Bien rincer et sécher en secouant.
- Lave-vaisselle :
Laver séparément, pas avec de la vaisselle sale, parce que les aliments peuvent se prendre dans les filtres.

REMARQUE : Une certaine décoloration des filtres peut se produire après leur nettoyage au lave-vaisselle. Ceci est normal, et n'affectera pas le rendement des filtres à graisse.

CAVITÉ DU FOUR À MICRO-ONDES

Pour éviter d'endommager la cavité du four à micro-ondes, ne pas utiliser de tampons à récurer savonneux, de nettoyants abrasifs, de tampons en laine d'acier, de chiffons rugueux de lavage ou certains genres d'essuie-tout recyclés.

Pour éviter d'endommager le fini des modèles en acier inoxydable, frotter dans le sens du grain.

La surface où la porte et le cadre du four à micro-ondes se touchent quand la porte est fermée doit être maintenue propre.

Saleté moyenne

- Savons et détergents doux, non abrasifs :
Rincer à l'eau propre et sécher avec un linge doux sans charpie.

Saleté intense

- Savons et détergents doux, non abrasifs :

Faire chauffer 1 tasse (250 mL) d'eau pendant 2 à 5 minutes dans le four à micro-ondes. La vapeur amollira la saleté. Rincer à l'eau propre et sécher avec un linge doux sans charpie.

Odeurs

- Jus de citron ou vinaigre :

Faire chauffer une tasse (250 mL) d'eau avec 1 c. à soupe (15 mL) de jus de citron ou de vinaigre pendant 2 à 5 minutes dans le four à micro-ondes.

Couvercle - orifice d'introduction des micro-ondes

Pour éviter la formation d'arcs et les dommages causés au four à micro-ondes, le couvercle - orifice d'introduction des micro-ondes (voir la section "Pièces et caractéristiques") doit être maintenu propre.

- Essuyer avec un chiffon humide.

PORTE DU FOUR À MICRO-ONDES ET EXTÉRIEUR

La surface où la porte et le cadre du four à micro-ondes se touchent quand la porte est fermée doit être maintenue propre.

- Savons et détergents doux, non abrasifs :

Rincer à l'eau propre et sécher avec un linge doux sans charpie.

- Nettoyant à vitres et essuie-tout ou tampon à récurer en plastique non abrasif :

Appliquer le nettoyant à vitres sur un linge doux, et non pas directement sur la surface.

Acier inoxydable (sur certains modèles)

Pour éviter d'endommager la porte et l'extérieur du four à micro-ondes, ne pas utiliser de tampons à récurer garnis de savon, nettoyants abrasifs, tampons en laine d'acier, chiffons de lavage rugueux ou certains essuie-tout. Frotter dans le sens du grain.

- Nettoyant et poli pour acier inoxydable (non inclus) :

Voir la section "Assistance ou service" pour soumettre une commande.

- Détergent liquide ou nettoyant tout-usage :

Rincer à l'eau propre et sécher avec un linge doux sans charpie.

- Vinaigre pour les taches d'eau dure.

TABLEAU DE COMMANDE

- Éponge ou linge doux et eau :

Humecter l'éponge avec l'eau et essuyer le tableau. Sécher avec un linge doux.

- Pour éviter d'endommager le tableau de commande, ne pas utiliser de produits de nettoyage chimiques ou abrasifs.

PLATEAU ROTATIF

Remettre le plateau rotatif en place immédiatement après le nettoyage. Ne pas faire fonctionner le four à micro-ondes lorsque le plateau rotatif est enlevé.

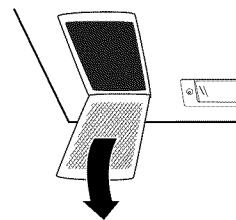
- Nettoyant doux et tampon à récurer
- Lave-vaisselle

Remplacement des filtres

Les filtres à graisse devraient être enlevés et nettoyés au moins une fois par mois. Ne pas faire fonctionner le four à micro-ondes ou le ventilateur d'évacuation sans que les filtres à graisse ne soient en place. Les filtres à charbon ne peuvent être lavés et devraient être remplacés à intervalles de 6 à 12 mois. Voir "Nettoyage général" pour les instructions de nettoyage. Voir "Assistance ou service" pour passer une nouvelle commande de filtres.

Pour enlever et remplacer les filtres à graisse :

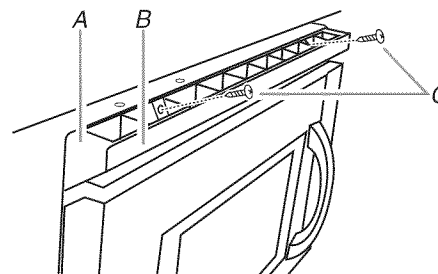
1. Dépose des filtres à graisse : Faire glisser le filtre vers l'arrière du four à micro-ondes jusqu'à ce que l'extrémité avant du filtre glisse vers le bas, puis extraire le filtre.



2. Remise en place des filtres à graisse : Insérer l'une des extrémités du filtre dans le bord arrière du cadre. Redresser l'extrémité avant du filtre vers le haut puis le faire glisser vers l'avant jusqu'à insertion complète.

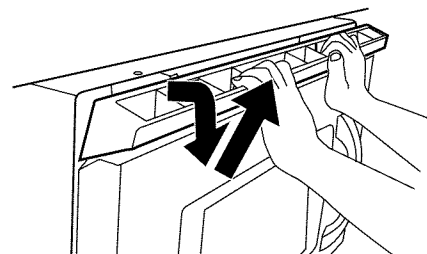
Pour enlever et remplacer le filtre à charbon :

1. Enlever les 2 vis de montage de la grille d'évent situées directement derrière la claire-voie supérieure.

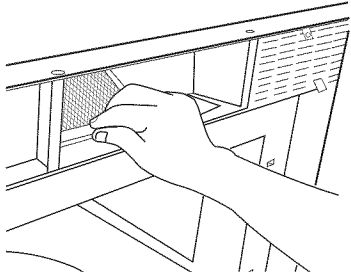


A. Grille d'évent
B. Claire-voie supérieure
C. Vis de montage

2. Incliner la grille d'évent vers l'avant et vers le bas, et la soulever pour la retirer.



3. Faire légèrement glisser le filtre vers l'arrière, soulever l'extrémité avant et tirer le filtre.



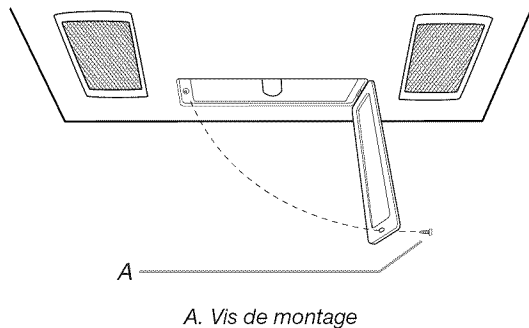
4. Installer un nouveau filtre à charbon.
5. Réinstaller la grille d'évent et les vis de montage.

Remplacement de la lampe de la table de cuisson

La lampe de la table de cuisson est une ampoule à culot candélabre. Voir la section "Assistance ou service" pour une nouvelle commande.

Remplacement :

1. Débrancher le four à micro-ondes ou déconnecter la source de courant électrique.
2. Enlever la vis de montage du couvercle de l'ampoule.



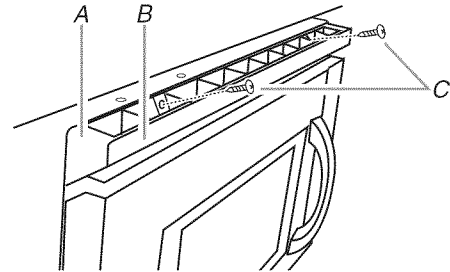
3. Remplacer l'ampoule. Rabattre le couvercle. Réinstaller la vis de montage.
4. Brancher le four à micro-ondes ou reconnecter la source de courant électrique.

Remplacement de la lampe du four à micro-ondes

La lampe du four à micro-ondes est une ampoule à culot candélabre. Elle s'allume automatiquement à l'ouverture de la porte et durant le fonctionnement du four à micro-ondes. Voir la section "Assistance ou service" pour passer une nouvelle commande.

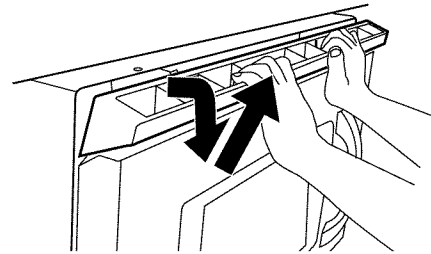
Remplacement :

1. Débrancher le four à micro-ondes ou déconnecter la source de courant électrique.
2. Enlever les 2 vis de montage de la grille d'évent situées directement derrière la claire-voie supérieure.

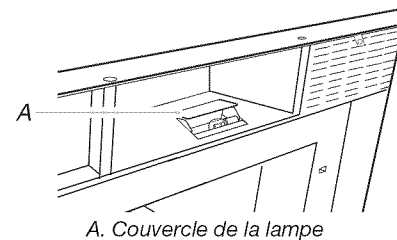


A. Grille d'évent
B. Claire-voie supérieure
C. Vis de montage

3. Incliner la grille d'évent vers l'avant et vers le bas, et la soulever pour la retirer.



4. Soulever le couvercle de la lampe.



5. Changer l'ampoule. Rabattre le couvercle.
6. Réinstaller la grille d'évent. Réinstaller les vis de montage.
7. Brancher le four à micro-ondes ou reconnecter la source de courant électrique.

DÉPANNAGE

Essayer les solutions suggérées ici d'abord afin d'éviter le coût d'une visite de service non nécessaire.

Rien ne fonctionne

- **Un fusible est-il grillé ou le disjoncteur s'est-il déclenché?**
Remplacer le fusible ou réenclencher le disjoncteur. Si le problème persiste, appeler un électricien.
- **Le four à micro-ondes est-il correctement raccordé?**
Voir les instructions d'installation fournies avec le four à micro-ondes.

Le four à micro-ondes ne fonctionne pas

- **Le magnétron fonctionne-t-il correctement?**
Faire chauffer une tasse (250 mL) d'eau froide pendant 2 minutes à la puissance de cuisson maximale. Si l'eau ne chauffe pas, essayer les étapes ci-dessous. Si le four à micro-ondes ne fonctionne toujours pas, faire un appel de service. Voir la section "Assistance ou service".
- **La porte est-elle bien fermée?**
Bien fermer la porte.
- **Un message à propos de la porte apparaît-il sur l'afficheur?**
La porte est fermée depuis 5 minutes ou plus. Ouvrir et fermer la porte, puis appuyer sur START (mise en marche) pour démarrer le programme de cuisson. Voir la section "Mise en marche".
- **Une cale d'espacement de l'emballage (sur certains modèles) est-elle fixée à l'intérieur de la porte?**
Enlever la cale d'espacement de l'emballage, puis bien fermer la porte.
- **La commande électronique du four à micro-ondes est-elle correctement réglée?**
Voir la section "Tableau de commande du four à micro-ondes".
- **Sur certains modèles, le verrouillage des commandes est-il réglé?**
Voir la section "Verrouillage des commandes".

Le four à micro-ondes bourdonne

- Ceci est normal et se produit lorsque l'alimentation électrique allume et éteint le magnétron par intermittence.

La porte du four à micro-ondes semble gondolée

- Ceci est normal et n'affecte pas la performance.

Le plateau rotatif ne fonctionne pas

- **Le ruban adhésif a-t-il été retiré du plateau rotatif?**
Voir la section "Plateau rotatif".
- **Le plateau rotatif est-il bien en place?**
S'assurer que le plateau rotatif est à l'endroit et repose bien sur son support.

- **Le support du plateau rotatif fonctionne-t-il correctement?**
Retirer le plateau rotatif. Retirer et nettoyer le support du plateau rotatif et les roulettes. Réinstaller le support et le plateau rotatif. Placer 1 tasse (250 mL) d'eau sur le plateau rotatif, puis remettre le four à micro-ondes en marche. S'il ne fonctionne toujours pas, faire un appel de service. Voir la section "Assistance ou service". Ne pas faire fonctionner le four à micro-ondes sans que le plateau rotatif et son support fonctionnent correctement.

Le plateau rotatif tourne dans les deux sens

- Ceci est normal et dépend de la rotation du moteur au début du programme.

Des messages s'affichent

- **L'afficheur indique-t-il ":-"?**
Il y a eu une panne de courant ou l'horloge a été éteinte. Voir la section "Affichage" pour effacer l'affichage. Voir la section "Horloge" pour régler de nouveau l'horloge ou la mettre en marche.
- **L'afficheur indique-t-il une lettre suivie d'un chiffre?**
Voir la section "Affichage" pour effacer l'affichage. S'il réapparaît, faire un appel de service. Voir la section "Assistance ou service".

Les signaux sonores ne sont pas émis

- **Les signaux sonores sont-ils désactivés?**
Voir la section "Signaux sonores".

De la vapeur sort de la grille d'évent

- Un peu de vapeur est normal.

Le ventilateur tourne plus lentement que d'habitude

- **Le four à micro-ondes a-t-il été remis dans un endroit froid?**
Le ventilateur fonctionnera plus lentement jusqu'à ce que le four à micro-ondes atteigne la température ambiante normale.

Le ventilateur fonctionne pendant la cuisson

- Ceci est normal. Le ventilateur se met en marche à vitesse lente pour refroidir le four à micro-ondes. Voir la section "Ventilateur d'évacuation".

Le ventilateur s'allume lors de l'utilisation de la table de cuisson

- Ceci est normal. Le ventilateur s'allume automatiquement pour refroidir le four à micro-ondes si la température de la table de cuisson qui se trouve en dessous devient trop chaude. Voir la section "Ventilateur d'évacuation".

Les durées de cuisson semblent trop longues

- **La puissance de cuisson est-elle bien réglée?**
Voir la section "Puissance de cuisson des micro-ondes".
- **Chauffe-t-on de grosses quantités d'aliments?**
Les quantités plus grandes d'aliments nécessitent des durées de cuisson plus longues.
- **La tension d'alimentation est-elle inférieure à celle indiquée dans "Sécurité de l'ensemble four à micro-ondes/hotte"?**
Faire vérifier le système électrique du domicile par un électricien qualifié.

Interférences avec la radio, un téléviseur ou un téléphone sans fil

- **La radio ou le téléviseur se trouve-t-il/elle près du four à micro-ondes?**
Éloigner l'appareil du four à micro-ondes ou ajuster l'antenne de la radio ou du téléviseur.
- **La porte du four à micro-ondes et les surfaces d'étanchéité sont-elles propres?**
S'assurer que ces zones sont propres.
- **Le téléphone sans fil est-il de fréquence 2,4 GHz?**
Certains téléphones sans fil de 2,4 GHz et certains réseaux domestiques sans fil peuvent subir des parasites ou des bruits lorsque le four à micro-ondes est en marche. Utiliser un téléphone avec fil, un téléphone sans fil avec une fréquence différente ou éviter d'utiliser ces articles pendant le fonctionnement du four à micro-ondes.

ASSISTANCE OU SERVICE

Avant de faire un appel pour assistance ou service, consulter la section "Dépannage". Ce guide peut vous faire économiser le coût d'une visite de service. Si vous avez encore besoin d'aide, suivre les instructions ci-dessous.

Lors d'un appel, veuillez connaître la date d'achat, le numéro de modèle et le numéro de série au complet de l'appareil. Ces renseignements nous aideront à mieux répondre à votre demande.

Si vous avez besoin de pièces de rechange

Si vous avez besoin de commander des pièces de rechange, nous vous recommandons d'employer uniquement des pièces spécifiées par l'usine. Les pièces spécifiées par l'usine conviendront et fonctionneront bien parce qu'elles sont fabriquées avec la même précision utilisée dans la fabrication de chaque nouvel appareil IKEA®.

Pour localiser des pièces spécifiées par l'usine dans votre région, nous appeler ou téléphoner au centre de service désigné le plus proche.

Au Canada

Veuillez appeler sans frais le Centre pour l'eXpérience de la clientèle de Whirlpool Canada LP au : **1-800-807-6777**.

Nos consultants vous renseigneront sur les sujets suivants :

- Caractéristiques et spécifications sur toute notre gamme d'appareils électroménagers.
- Consignes d'utilisation et d'entretien.
- Vente d'accessoires et de pièces de rechange.
- Références aux marchands locaux, aux distributeurs de pièces de rechange et aux compagnies de service. Les techniciens de service désignés par Whirlpool Canada LP sont formés pour remplir la garantie des produits et fournir un service après la garantie, partout au Canada.

Pour plus d'assistance

Si vous avez besoin de plus d'assistance, vous pouvez soumettre par écrit toute question ou préoccupation à Whirlpool Canada LP à l'adresse suivante :

Centre pour l'eXpérience de la clientèle
Whirlpool Canada LP
1901 Minnesota Court
Mississauga, Ontario L5N 3A7

Veuillez inclure dans votre correspondance un numéro de téléphone où on peut vous joindre dans la journée.

Pièces de rechange et accessoires

Plateau rotatif Numéro de pièce 4393799	Filtre à charbon Numéro de pièce 8206230
Support du plateau rotatif et roulettes Numéro de pièce 8206227	Ampoule de la table de cuisson Numéro de pièce 8206232
Axe du plateau rotatif Numéro de pièce 8206228	Ampoule du four à micro-ondes Numéro de pièce 4393681
Filtres à graisse Numéro de pièce W10181505	

Accessoires de nettoyage

Produit de dégraissage pour service intense Numéro de pièce 31552	Nettoyant et poli pour acier inoxydable Numéro de pièce 31462
Nettoyant tout-usage pour appareils ménagers Numéro de pièce 31682	

GARANTIE DES GROS APPAREILS MÉNAGERS WHIRLPOOL CORPORATION

GARANTIE LIMITÉE

Pendant un an à compter de la date d'achat, lorsque ce gros appareil ménager est utilisé et entretenu conformément aux instructions jointes à ou fournies avec le produit, Whirlpool Corporation ou Whirlpool Canada LP (ci-après désignées "Whirlpool") paiera pour les pièces spécifiées par l'usine et la main-d'œuvre pour corriger les vices de matériaux ou de fabrication. Le service doit être fourni par une compagnie de service désignée par Whirlpool. Cette garantie limitée est valide uniquement aux États-Unis ou au Canada et s'applique exclusivement lorsque l'appareil est utilisé dans le pays où il a été acheté. À l'extérieur du Canada et des 50 États des États-Unis, cette garantie limitée ne s'applique pas. Une preuve de la date d'achat original est exigée pour obtenir un service dans le cadre de la présente garantie limitée.

ARTICLES EXCLUS DE LA GARANTIE

La présente garantie limitée ne couvre pas :

1. Les visites de service pour rectifier l'installation du gros appareil ménager, montrer à l'utilisateur comment utiliser l'appareil, remplacer ou réparer des fusibles ou rectifier le câblage ou la plomberie du domicile.
2. Les visites de service pour réparer ou remplacer les ampoules électriques de l'appareil, les filtres à air ou les filtres à eau. Les pièces consommables ne sont pas couvertes par la garantie.
3. Les réparations lorsque le gros appareil ménager est utilisé à des fins autres que l'usage unifamilial normal ou lorsque les instructions d'installation et/ou les instructions de l'opérateur ou de l'utilisateur fournies ne sont pas respectées.
4. Les dommages imputables à : accident, modification, usage impropre ou abusif, incendie, inondation, actes de Dieu, installation fautive ou installation non conforme aux codes d'électricité ou de plomberie, ou l'utilisation de pièces consommables ou de produits nettoyants non approuvés par Whirlpool.
5. Les défauts apparents, notamment les éraflures, les bosses, fissures ou tout autre dommage au fini du gros appareil ménager, à moins que ces dommages soient dus à des vices de matériaux ou de fabrication et soient signalés à Whirlpool dans les 30 jours suivant la date d'achat.
6. Toute perte d'aliments due à une défaillance du réfrigérateur ou du congélateur.
7. Les coûts associés au transport du gros appareil ménager du domicile pour réparation. Ce gros appareil ménager est conçu pour être réparé à domicile et seul le service à domicile est couvert par la présente garantie.
8. Les réparations aux pièces ou systèmes résultant d'une modification non autorisée faite à l'appareil.
9. Les frais de transport pour le service d'un produit si votre gros appareil est situé dans une région éloignée où un service d'entretien Whirlpool autorisé n'est pas disponible.
10. La dépose et la réinstallation de votre gros appareil si celui-ci est installé dans un endroit inaccessible ou n'est pas installé conformément aux instructions d'installation fournies.
11. Les gros appareils ménagers dont les numéros de série et de modèle originaux ont été enlevés, modifiés ou qui ne peuvent pas être facilement identifiés. La présente garantie est nulle si le numéro de série d'usine a été modifié ou enlevé du gros appareil ménager.

Le coût d'une réparation ou des pièces de rechange dans le cadre de ces circonstances exclues est à la charge du client.

CLAUSE D'EXONÉRATION DE RESPONSABILITÉ AU TITRE DES GARANTIES IMPLICITES; LIMITATION DES RECOURS

LE SEUL ET EXCLUSIF RECOURS DU CLIENT DANS LE CADRE DE LA PRÉSENTE GARANTIE LIMITÉE CONSISTE EN LA RÉPARATION PRÉVUE CI-DESSUS. LES GARANTIES IMPLICITES, Y COMPRIS LES GARANTIES APPLICABLES DE QUALITÉ MARCHANDE ET D'APTITUDE À UN USAGE PARTICULIER, SONT LIMITÉES À UN AN OU À LA PLUS COURTE PÉRIODE AUTORISÉE PAR LA LOI. WHIRLPOOL N'ASSUME AUCUNE RESPONSABILITÉ POUR LES DOMMAGES FORTUITS OU INDIRECTS. CERTAINES JURIDICTIONS NE PERMETTENT PAS L'EXCLUSION OU LA LIMITATION DES DOMMAGES FORTUITS OU INDIRECTS, OU LES LIMITATIONS DE LA DURÉE DES GARANTIES IMPLICITES DE QUALITÉ MARCHANDE OU D'APTITUDE À UN USAGE PARTICULIER, DE SORTE QUE CES EXCLUSIONS OU LIMITATIONS PEUVENT NE PAS S'APPLIQUER DANS VOTRE CAS. CETTE GARANTIE VOUS CONFÈRE DES DROITS JURIDIQUES SPÉCIFIQUES ET VOUS POUVEZ ÉGALEMENT JOUIR D'AUTRES DROITS QUI PEUVENT VARIER D'UNE JURIDICTION À UNE AUTRE.

Si vous résidez à l'extérieur du Canada et des 50 États des États-Unis, contactez votre marchand Whirlpool autorisé pour déterminer si une autre garantie s'applique.

Si vous avez besoin de service, voir d'abord la section "Dépannage" du Guide d'utilisation et d'entretien. Après avoir vérifié la section "Dépannage", de l'aide supplémentaire peut être trouvée en vérifiant la section "Assistance ou service" ou en appelant Whirlpool. Aux É.-U., composer le 1-800-253-1301. Au Canada, composer le 1-800-807-6777. 9/07

Conservez ce manuel et votre reçu de vente ensemble pour référence ultérieure. Pour le service sous garantie, vous devez présenter un document prouvant la date d'achat ou d'installation.

Inscrivez les renseignements suivants au sujet de votre gros appareil ménager pour mieux vous aider à obtenir assistance ou service en cas de besoin. Vous devrez connaître le numéro de modèle et le numéro de série au complet. Vous trouverez ces renseignements sur la plaque signalétique située sur le produit.

Nom du marchand _____

Adresse _____

Numéro de téléphone _____

Numéro de modèle _____

Numéro de série _____

Date d'achat _____

W10215508A
SP PN W10208946A
© 2008. All rights reserved.
Tous droits réservés.

© IKEA is a registered trademark of Inter-Ikea Systems B.V.
© IKEA est une marque déposée de Inter-Ikea Systems B.V.

461965268897
7/08
Printed in China
Imprimé en Chine