



**SEARS**

Vacuum Cleaner

***OWNER'S MANUAL***

READ THIS MANUAL for important safety,  
assembly and operating instructions.

---

# CONTENTS

WARRANTY .....	1
SERVICE .....	1
IMPORTANT SAFETY INSTRUCTIONS .....	2
PARTS AND FEATURES .....	3
ASSEMBLY .....	4

## USE

How to Start .....	5
Pile Height Selection and Setting .....	6
Bare Floor Setting (Optional) .....	6
Releasing the Handle .....	6
On/Off and Power Level Selection .....	7
Using Attachments .....	7-8
Vacuuming Tips .....	9
Performance Features .....	10

# STANDARD AND OPTIONAL FEATURES

Users of upright vacuum cleaners have a variety of cleaning needs.

This vacuum cleaner comes with optional features which offer the customer the opportunity to select features which best meet their needs.

This manual provides instructions which include those features in addition to those found on the standard model. Optional features include:

Pre-assembly

# IMPORTANT SAFETY INSTRUCTIONS



## WARNING

*To reduce the risk of fire, electrical shock, injury to persons or damage when using your vacuum cleaner, follow basic safety precautions including the following:*

**Read** this manual before assembling or using your vacuum cleaner.

**Use** your cleaner only as described in this manual. Use only with Sears recommended attachments.

To reduce the risk of electrical shock, **do not** use outdoors or on wet surfaces.

**Disconnect** electrical supply before servicing or cleaning out brush area. Failure to do so could result in electrical shock or brush suddenly starting.

**Always** turn cleaner off before unplugging.

**Do not** unplug by pulling on cord. To unplug, grasp the plug, not the cord.

**Do not** use with damaged cord or plug. If cleaner is not working as it should, has been dropped, damaged, left outdoors, or dropped into water, return it to a Sears Service Center/Department.

**Do not** pull or carry by cord, use cord as a handle, close door on cord, or pull cord around sharp edges or corners. Do not run cleaner over cord. Keep cord away from heated surfaces.

**Do not** leave cleaner when plugged in. Unplug from outlet when not in use and before servicing.

**Do not** allow to be used as a toy. Close attention is necessary when used by or near children.

**Do not** handle plug or cleaner with wet hands.

**Do not** put any objects into openings.

**Do not** use with any opening blocked; keep free of dust, lint, hair and anything that may reduce air flow.

**Keep** hair, loose clothing, fingers, and all parts of body away from openings and moving parts.

**Do not** use cleaner without dust bag in place. Always change the dust bag after vacuuming carpet cleaners or fresheners, powders and fine dust. These products clog the bag, reduce airflow and can cause the bag to burst. Failure to change could cause permanent damage to the cleaner.

**Do not** use the cleaner to pick up sharp hard objects, small toys, pins, paper, etc. They may damage the cleaner or dust bag.

**Do not** pick up anything that is burning or smoking, such as cigarettes, matches, or hot ashes.

**Do not** use cleaner to pick up flammable or combustible liquids (gasoline, cleaning fluids, perfumes, etc.), or use in areas where they may be present. The fumes from these substances can create a fire hazard or explosion.

**Use extra care** when cleaning on stairs. Do not put on chairs, tables, etc. Keep on floor.

**You** are responsible for making sure that your vacuum cleaner is not used by anyone unable to operate it properly.

## SAVE THESE INSTRUCTIONS

*Proper assembly and safe use of your vacuum cleaner are your responsibilities.*

*Your cleaner is intended only for household use.*

*Read this Owner's Manual carefully for important use and safety instructions.*

# **PARTS AND FEATURES**

It is important to know your vacuum cleaner parts and features to assure its proper and safe use. Review these before using your cleaner.

## **COPY YOUR MODEL AND SERIAL NUMBERS HERE.**

Copy this information from the bottom of the vacuum cleaner into these spaces. Keep these numbers for future reference. If you need service or call with a question, have this information ready:

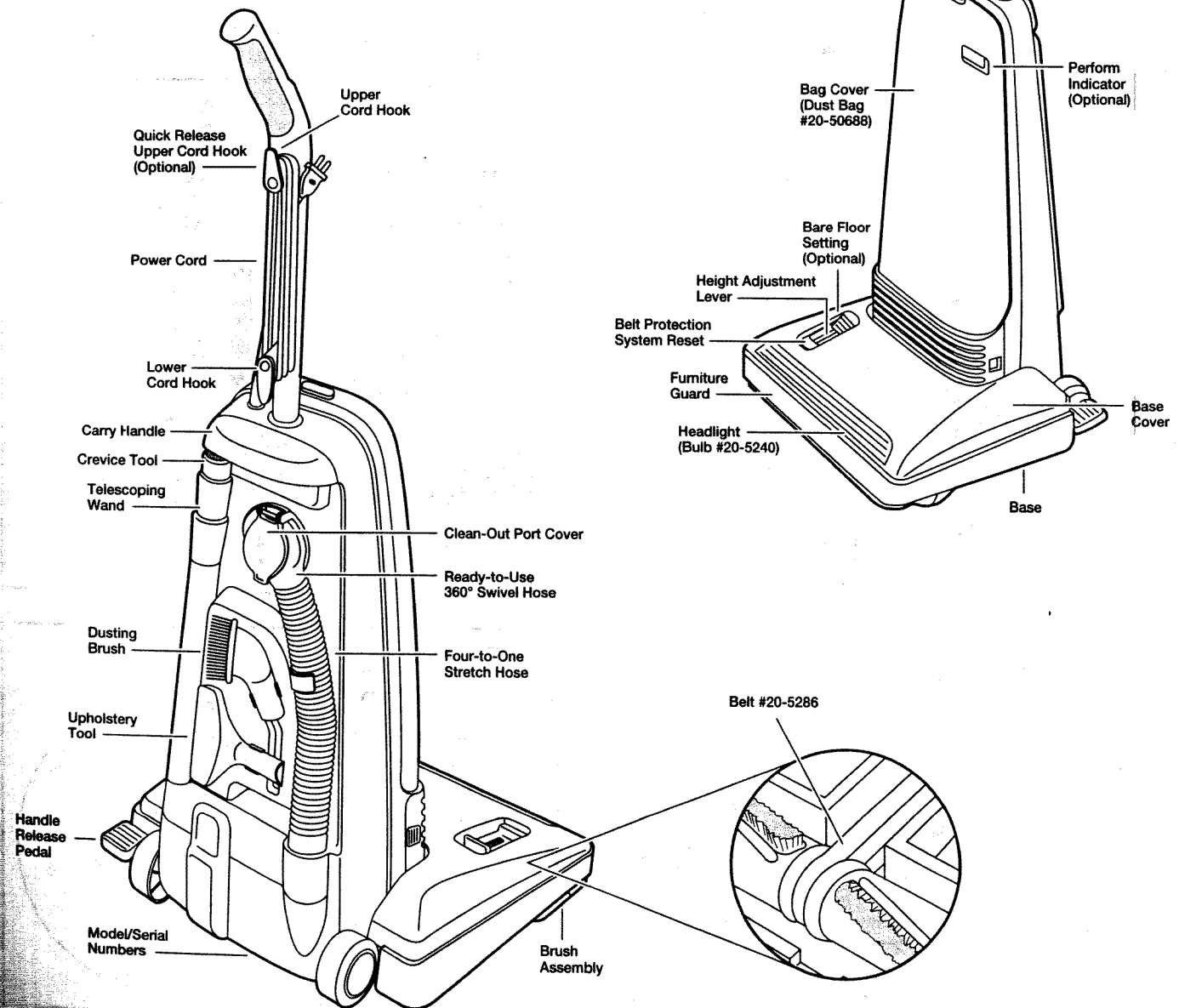
**116.**

Model Number

**D-**

Serial Number

## **UPRIGHT VACUUM CLEANER**



# ASSEMBLY

## HANDLE ASSEMBLY (STANDARD MODEL)

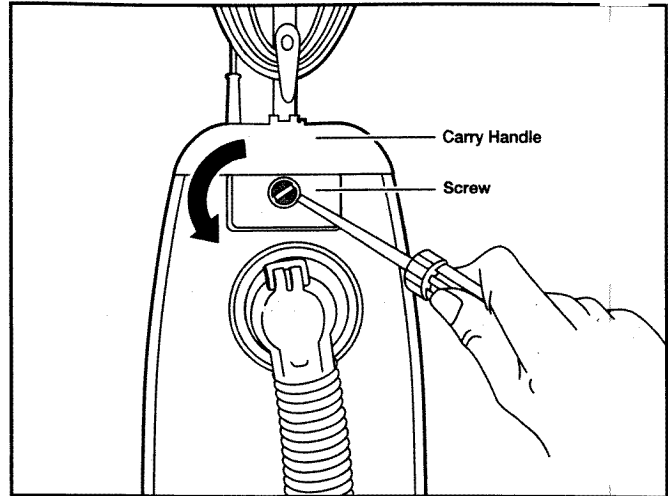
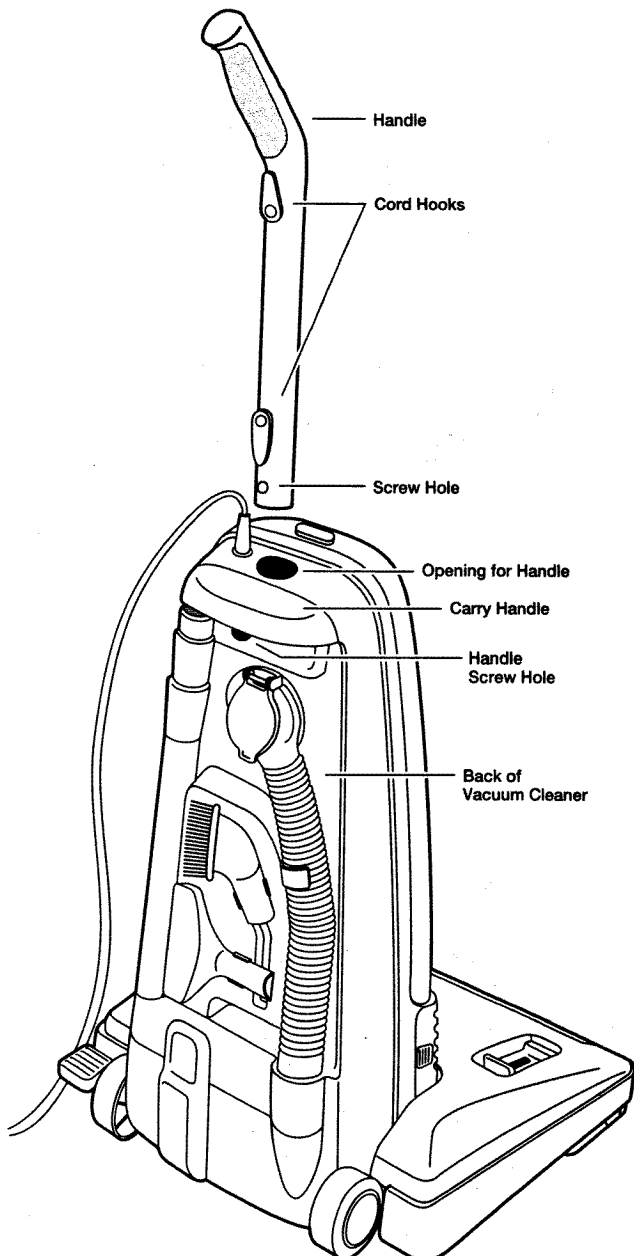
Before assembling your vacuum cleaner be sure you have all the parts shown.



### WARNING

#### Electrical Shock Hazard

Do not plug into the electrical supply until the assembly is complete. Failure to do so could result in electrical shock or injury.



Remove the screw located just below the carry handle on the back side of the vacuum.

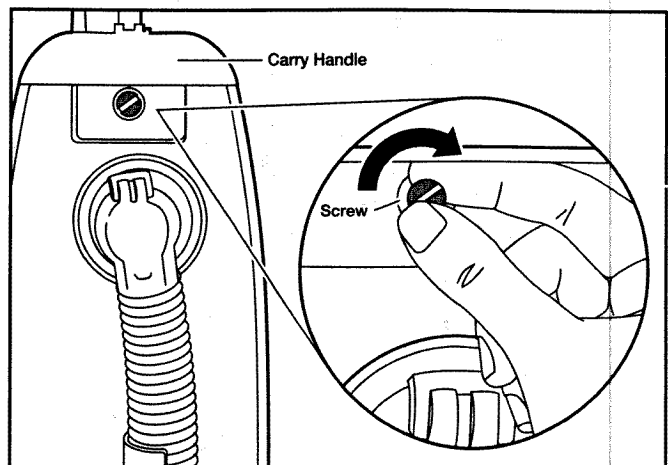
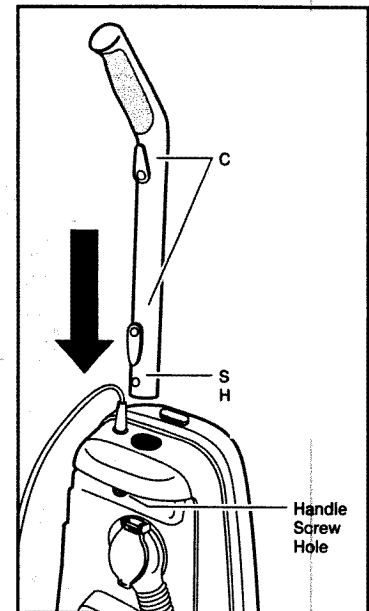
Position the handle so the cord hooks are toward the back of the cleaner.

Insert the handle into the opening at the top of the vacuum.

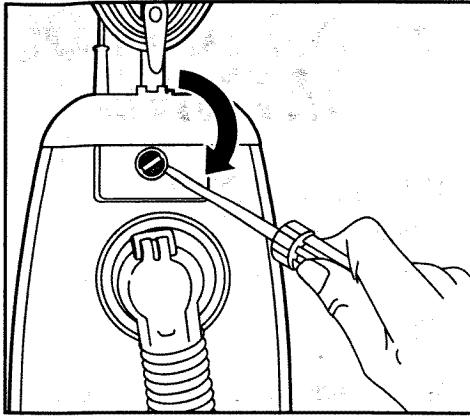
Align the screw hole in the handle with the screw hole in the vacuum.

Insert the screw so it passes through the back of the vacuum into the handle.

Begin to tighten the screw with your fingers. It may be necessary to adjust the handle slightly.



Using a screwdriver, tighten the screw.



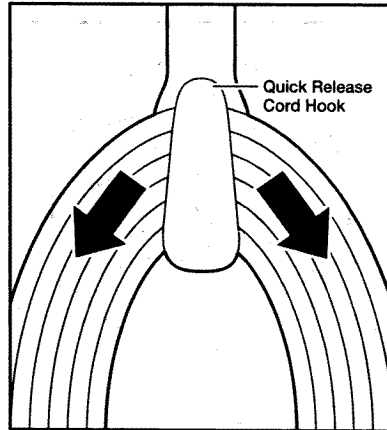
# USE

# HOW TO START


## (STANDARD MODEL)

Unwrap the power cord. Plug the power cord into a 120 volt outlet located near the floor.

## (OPTIONAL MODEL)



1. Turn the quick release cord hook to either side and down to release the power cord.



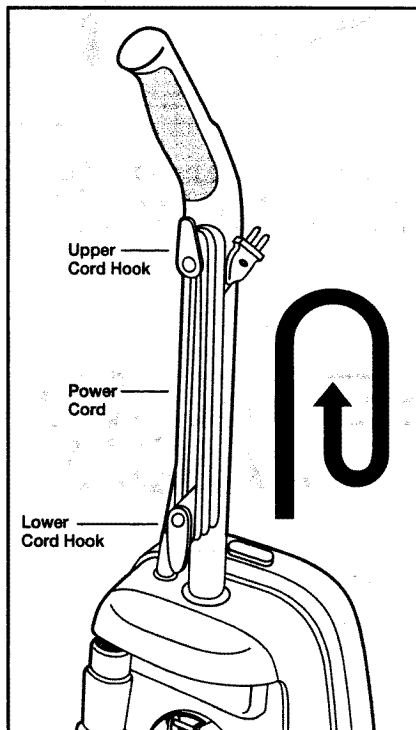
## CAUTION

*Do not overtighten. Overtightening could strip the screw holes. Do not operate the cleaner without the screw in place.*

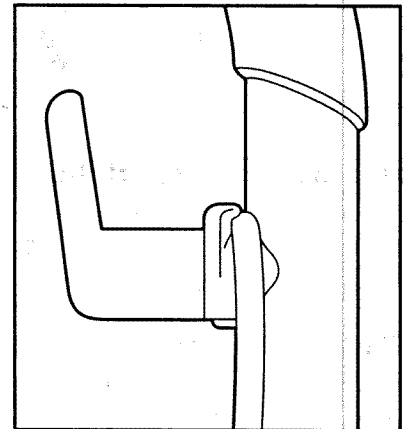
## CORD ASSEMBLY (STANDARD AND OPTIONAL MODELS)

Make sure the quick release upper cord hook is in the upright position.


Remove the wire tie from the power cord. Wrap the power cord around the upper and lower cord hooks.



2. Once the cord is removed, lock the cord into place by forcing it into the locking notch on the body of the cord hook as shown.



3. Plug power cord into a 120-volt outlet located near the floor.



## WARNING

*Personal Injury and Product Damage Hazard*

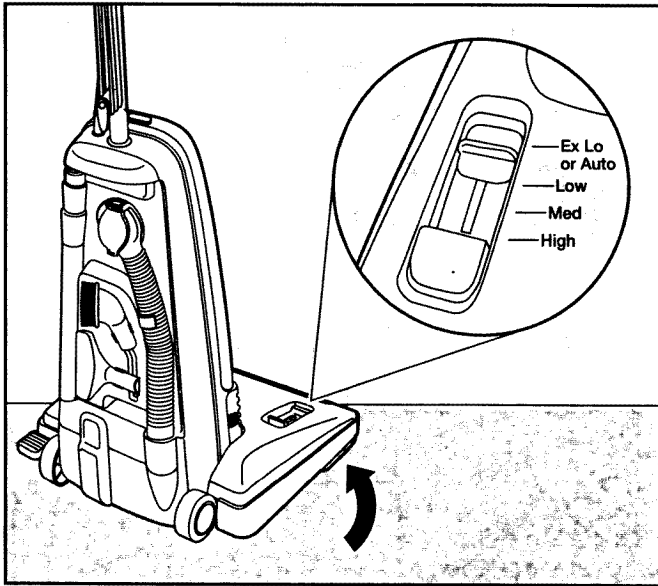
- **DO NOT** plug in if switch is in ON position. Personal injury or damage could result.
- **DO NOT** use outlets above counters. Damage to items in surrounding area could occur.

# PILE HEIGHT SELECTION AND SETTING

## To select a pile height setting:

Turn off the cleaner. Select a pile height setting by tilting the cleaner back until the front wheels are lifted slightly off the floor.

Slide the height adjustment lever to the correct setting.



## SUGGESTED PILE HEIGHT SETTINGS

You may need to raise the height to make some jobs easier (such as scatter rugs and longer pile carpets). Suggested settings are:

**EX LO or AUTO:** very low pile.

**LOW:** short or medium pile.

**MED:** medium to long pile.

**HIGH:** shag carpet, long pile, plush, scatter rugs.



## WARNING

### Personal Injury Hazard

**DO NOT** place hands or feet underneath the unit when changing from the bare floor setting to the carpet pile height setting. The brush assembly begins to revolve rapidly when the vacuum is turned on and is switched to a carpet height setting.

# BARE FLOOR SETTING

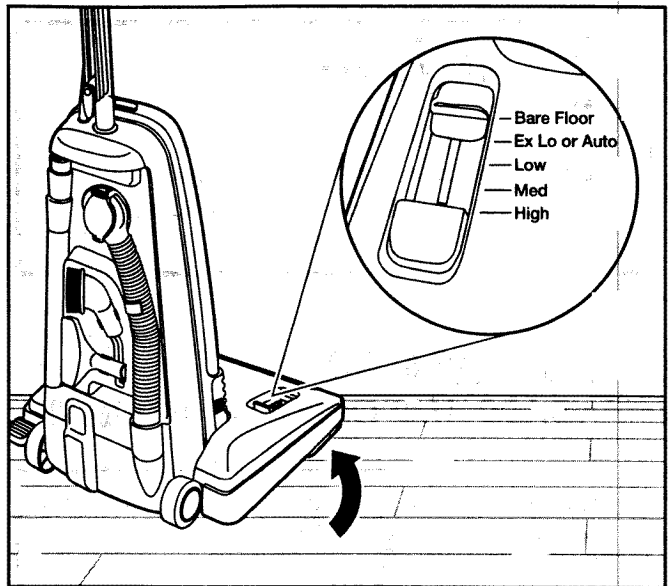
## (OPTIONAL MODEL)

## To select the bare floor setting:

Turn off the cleaner.

Tilt the cleaner back until the front wheels are lifted slightly off the floor.

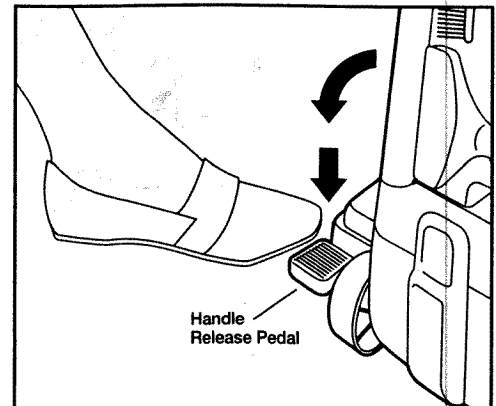
Slide the height adjustment lever to the bare floor setting.



In this position, the headlight is off and the brush assembly does not revolve. This setting is recommended for cleaning hardwood and tile floors.

# RELEASING THE HANDLE

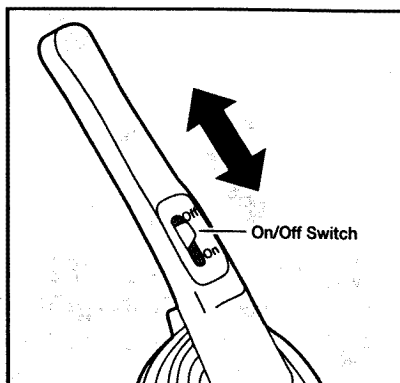
Release the handle by pressing on the handle release pedal.



# ON/OFF AND POWER LEVEL SELECTION

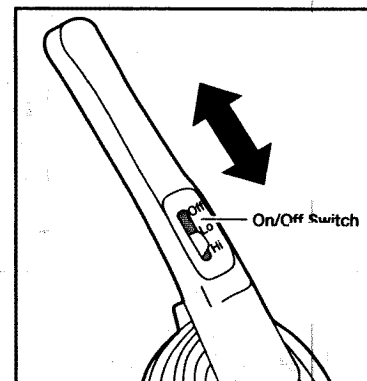
## HANDLE ON/OFF SWITCH (STANDARD MODEL)

To start the vacuum cleaner, slide the On/Off Switch from the OFF position to the ON position. To stop the vacuum cleaner, slide the On/Off Switch to the OFF position.

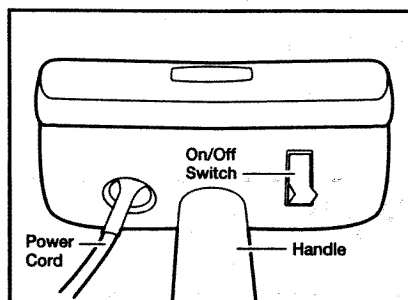


## TWO SPEEDS (OPTIONAL MODEL)

To start the vacuum cleaner, slide the Two-Speed On/Off Switch to the LO or HI position. Use the LO (center position) to clean lightweight rugs. Use the HI (bottom position) to clean most carpeted floors. Use the OFF (top position) when leaving or storing the cleaner.



## BODY ON/OFF SWITCH (OPTIONAL MODEL)

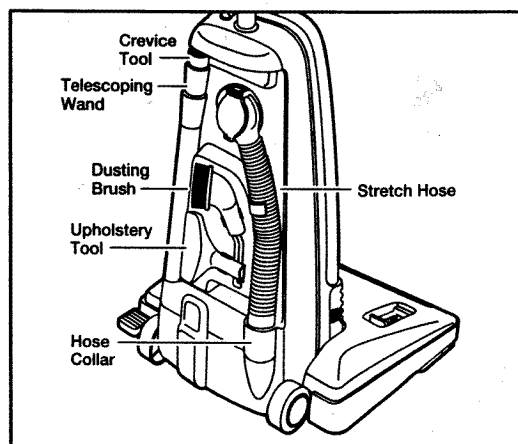


To start the vacuum cleaner, put the switch on the top of the body in the ON position. To stop the vacuum cleaner, put the switch in the OFF position.

To stop the vacuum, slide the Two-Speed On/Off Switch to the OFF position.

# USING ATTACHMENTS

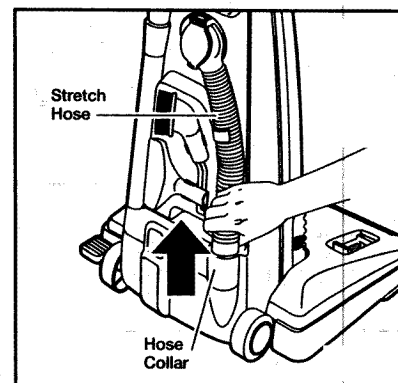
Identify each of the attachments shown below.



## To Use Attachments:

Remove the lower end of the stretch hose from the cleaner by grasping the hose collar, twisting and pulling straight up.

**NOTE:** Brush assembly stops revolving and the headlight goes off when hose is removed.



## WARNING

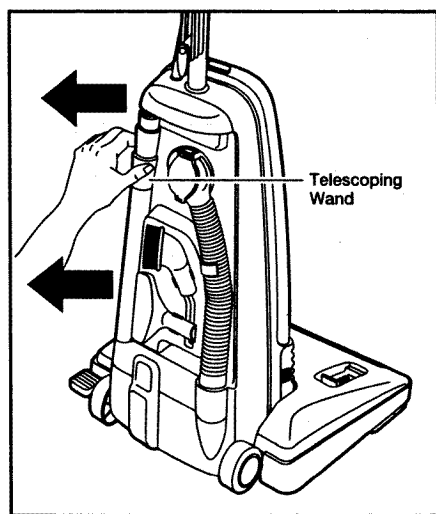
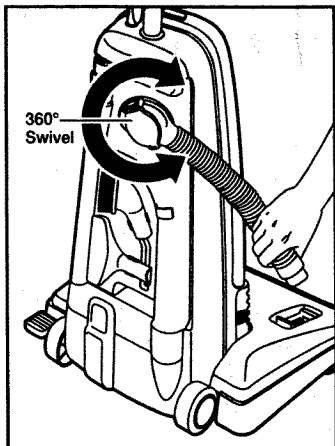
*Personal Injury Hazard*

*Always unplug vacuum before placing hands near brush assembly as brush may suddenly re-start. Failure to do so could result in injury.*



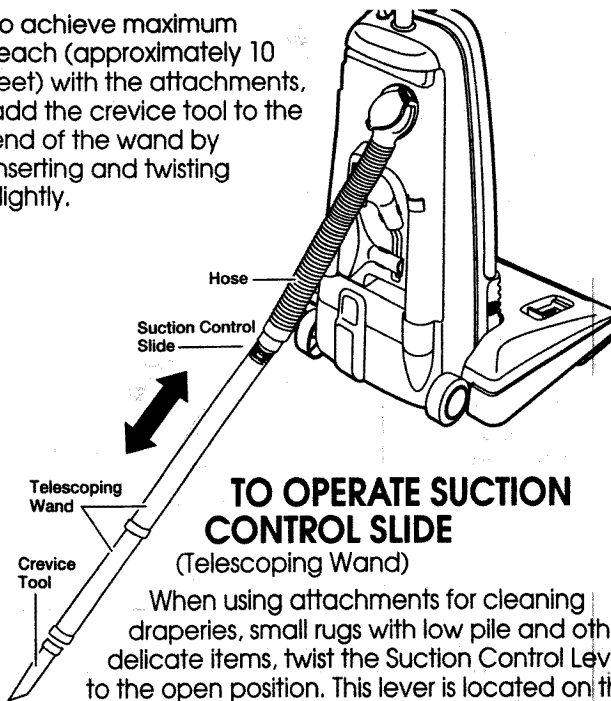
The attached hose end swivels 360 degrees to make cleaning easier in every direction.

Remove the telescoping wand from its storage position.



Remove the crevice tool from its storage position in the wand. Turn the locking ring to the **UNLOCK** position.

To achieve maximum reach (approximately 10 feet) with the attachments, add the crevice tool to the end of the wand by inserting and twisting slightly.



### TO OPERATE SUCTION CONTROL SLIDE

(Telescoping Wand)

When using attachments for cleaning draperies, small rugs with low pile and other delicate items, twist the Suction Control Lever to the open position. This lever is located on the Telescoping Wand, close to the hose.

This will reduce suction for ease of cleaning.

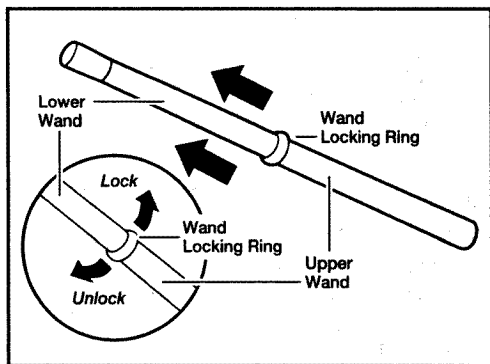
**CAUTION** - Return Suction Control Lever to the closed position for normal cleaning.



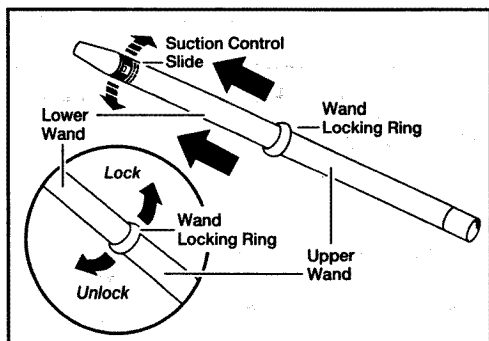
## CAUTION

When using attachments, be careful not to over-extend the stretch hose when reaching. Trying to reach beyond the hose stretch capability could cause the cleaner to tip over.

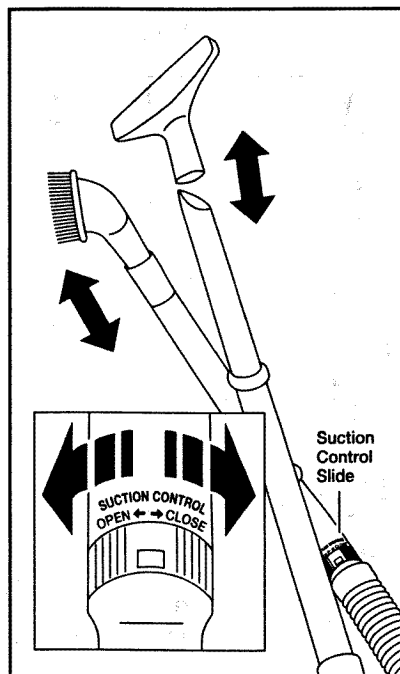
Extend the wand to its full length. Turn the wand locking ring to the **LOCK** position.



### OPTIONAL WAND WITH SUCTION CONTROL



Attach the wand to the hose by inserting and twisting slightly.



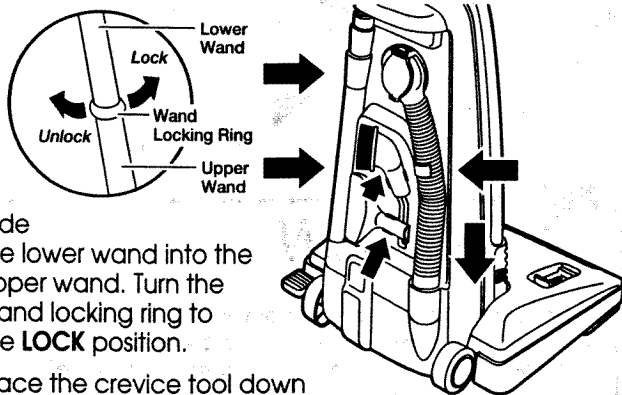
When using the dusting brush or the upholstery tool, they may be attached directly to the wand or placed on the end of the crevice tool.

## To Store Attachments:

Remove dusting brush or upholstery tool. Snap into appropriate storage location.

Remove crevice tool from the wand by twisting. Lay aside.

Unlock the wand by turning the wand locking ring to the **UNLOCK** position.



Slide the lower wand into the upper wand. Turn the wand locking ring to the **LOCK** position.

Place the crevice tool down into the compressed wand. Snap into the appropriate storage location.

Be sure the unit is turned off. Reinsert the hose fully into the opening on the lower body from which it was removed.

Press firmly to assure connection.

**NOTE:** Brush assembly will not turn if hose is not fully inserted.



## WARNING

### Personal Injury Hazard

**DO NOT** place hands or feet underneath the unit when inserting the hose. The brush assembly begins to revolve rapidly when the vacuum is turned on and is switched to a carpet height setting.

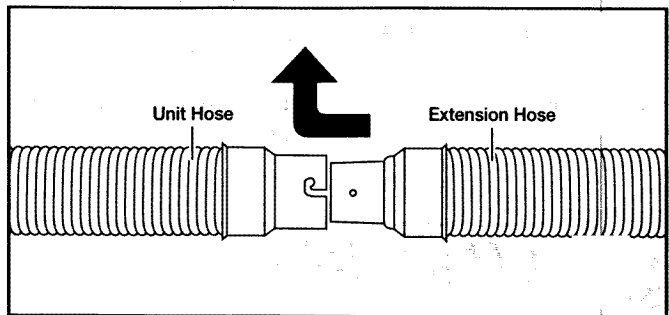


## CAUTION

**DO NOT** pull the vacuum cleaner around the room by the hose. Property damage could result.

## EXTENSION HOSE NOT INCLUDED IN ALL MODELS

The stretch hose attached to the vacuum cleaner has two "J" shaped slots in the end where attachments fit into.



The extension hose has two tabs on the end that can be pushed into the slots and twisted to attach the two hoses together.

Attachments and the telescoping wand can be attached to the other end of the extension hose for additional reach.

If your model did not come with an extension hose, one can be purchased at any SEARS retail store under part number 20-52571.



## CAUTION

When using the regular hose or with the extension hose attached, the cleaner should be on a solid surface on the same level or below the level of the user's feet. **DO NOT** use the hoses when the cleaner is above the level of the user's feet.

# ATTACHMENT USE CHART

ATTACHMENT	CLEANING AREA				
	Furniture*	Between Cushions*	Drapes*	Stairs	Walls
DUSTING BRUSH	X		X		X
CREVICE TOOL	X	X		X	
FABRIC BRUSH	X		X	X	

\*Always clean attachments before using on fabrics.

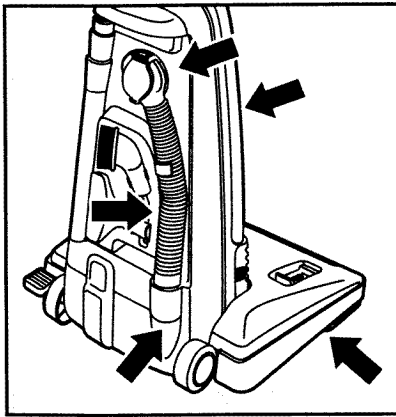
# VACUUMING TIPS

## Carpet edges.

Guide either side or the front of the nozzle along a baseboard. The full length brushes help remove trapped dirt at carpet edges.

## Stairs.

Put handle in full upright position. Use the crevice tool or fabric brush. Set the On/Off Switch to **HI**. (Optional)



For best cleaning results, keep the airflow passage clear.

Occasionally, check each of the areas indicated for clogs.

Unplug the cleaner from the outlet before checking.



## WARNING

### Personal Injury Hazard

Use care if vacuum cleaner is placed on stairs. If it falls, personal injury or property damage could result.



## CAUTION

When using the regular hose or with the extension hose attached, the cleaner should be on a solid surface, such as the floor, on the same level or below the level of the user's feet. Do NOT use the hoses when the cleaner is above the level of the user's feet.

# PERFORMANCE FEATURES



## WARNING

### Personal Injury Hazard

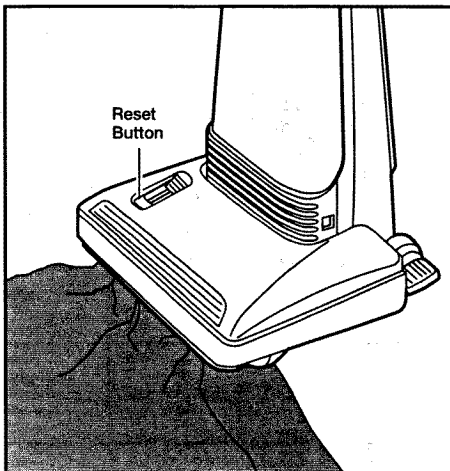
Always unplug the vacuum cleaner before cleaning the brush area as brush may suddenly restart. Failure to do so can result in personal injury.

## BELT PROTECTION SYSTEM

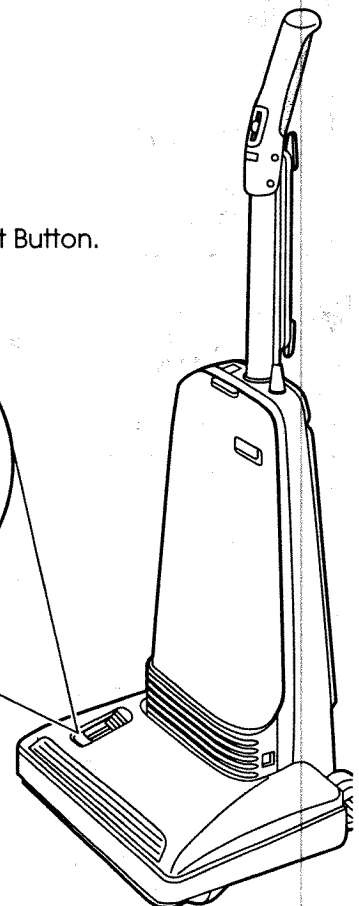
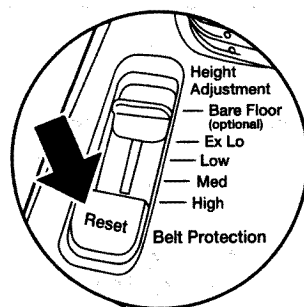
The cleaner has built-in protection against motor and belt damage should the brush jam. When an object slows down or stops the brush roll, the Belt Protection Reset Button pops up, the brush roll stops and the headlight goes off.

The suction motor will continue to run.

**To correct problem:** See the Trouble-Shooting chart on page 21.



**To reset:** Push in the Reset Button.

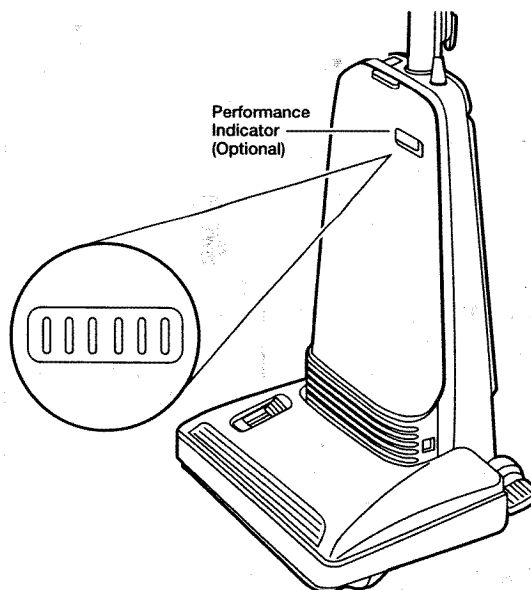


## PERFORMANCE INDICATOR (OPTIONAL MODEL)

When the unit is running with normal air flow, the lines on the performance indicator are white. Red lines appear in the performance indicator whenever the airflow becomes blocked. If that occurs, check the disposable dust bag, motor safety filter and other possible clog locations shown on page 18.

**NOTE: Red lines may appear when using attachments, due to reduced air flow through the attachment.**

**To correct problem:** See the Troubleshooting chart on page 21.



## VACUUM CLEANER CARE

Always follow all safety precautions when cleaning and servicing the vacuum cleaner.



### WARNING

**Electrical Shock And Personal Injury Hazard**  
*Disconnect electrical supply before servicing or cleaning the unit. Failure to do so could result in electrical shock or personal injury from cleaner suddenly starting.*

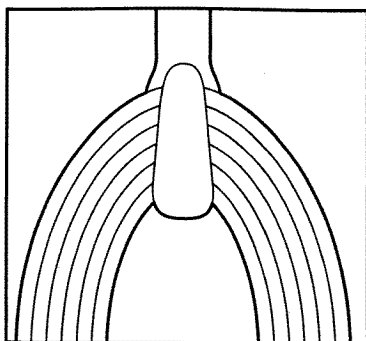


### WARNING

**Electrical Shock And Personal Injury Hazard**  
*Wrapping the cord too tightly puts stress on the cord and can cause cord damage. A damaged cord is an electrical shock hazard and could cause personal injury or damage.*

## VACUUM STORAGE

Gather the cord and wrap it loosely around the upper and lower cord hooks.



Store the cleaner in a dry, indoor area, on the floor with the handle locked in the upright position.

## CLEANING EXTERIOR AND ATTACHMENTS

Unplug cord from wall outlet. DO NOT drip water on cleaner.

Clean exterior using a clean, soft cloth that has been dipped in a solution of mild liquid detergent and water, then wrung dry. Wipe dry after cleaning.

To reduce static electricity and dust build-up, wipe outer surface of cleaner and attachments.

Wash attachments in warm soapy water, rinse and air dry. **Do not clean in dishwasher.**

**DO NOT USE ATTACHMENTS IF THEY ARE WET.**



### CAUTION

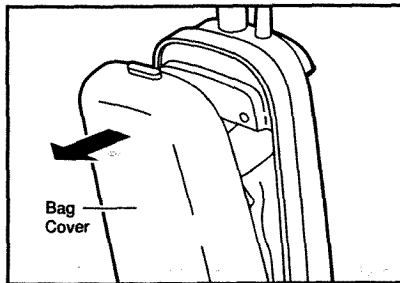
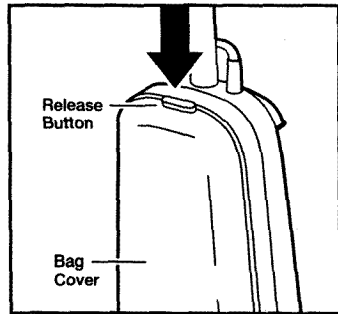
*Attachments used in dirty areas (under a refrigerator) should not be used on other surfaces until they are washed. They could leave marks.*

# BAG CHANGING

## To Remove Bag:

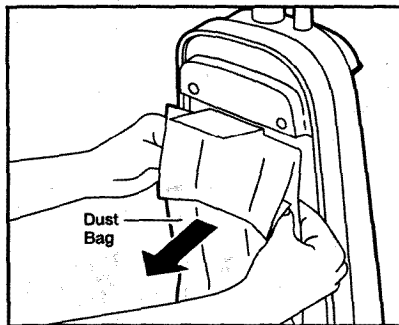
**WARNING: Unplug power cord from electrical outlet.**

Press the Release Button located on the top of the bag cover.



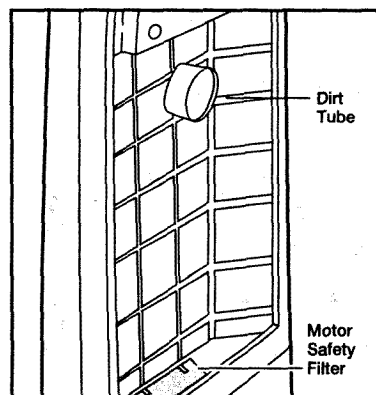
Pull the bag cover forward. Remove and lay aside.

Grasp the dust bag collar and pull gently, carefully removing the dust bag. Throw away the used dust bag. Do not reuse.



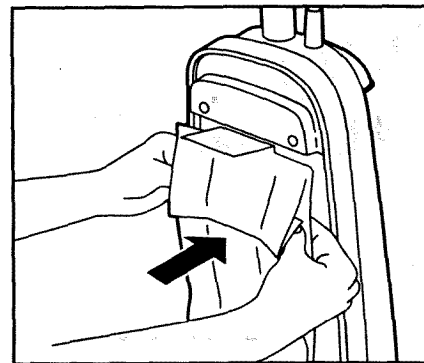
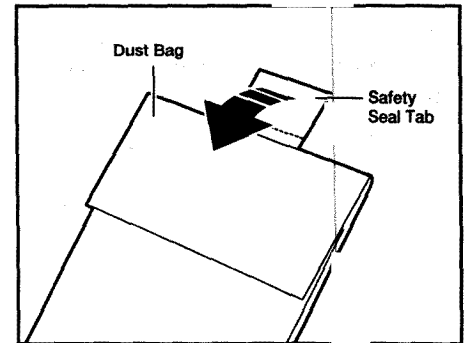
**CAUTION**  
**NEVER REUSE A DUST BAG.** Very fine materials, such as carpet fresheners, face powder, fine dust, plaster, soot, etc. can clog the bag and cause it to burst before it is full. Change bag more often when vacuuming these materials.

Check the dirt tube and the motor safety filter. If either is blocked, check the Trouble-Shooting chart on page 21.



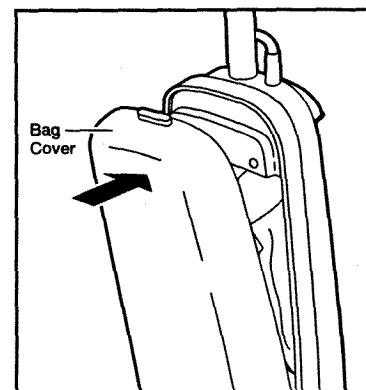
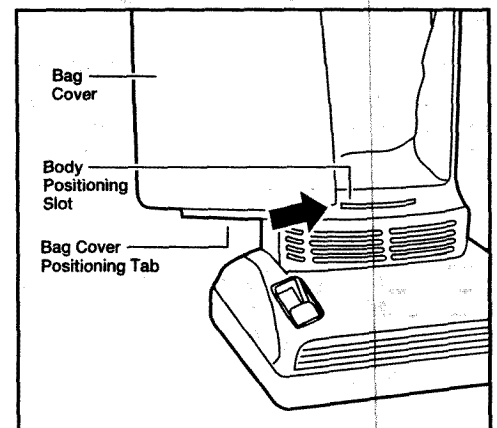
## To Replace Bag:

Fold the safety seal tab on the new dust bag (#20-50688) away from the opening that fits on the dirt tube.



Unfold the new dust bag. Insert the dust bag onto the bag holder completely by holding the bag collar. Snap the dust bag collar into position.

Position the bag cover so its positioning tab fits into the body positioning slot.



Close the bag cover. You will hear a distinct snap when cover is securely closed.

# MOTOR SAFETY FILTER CLEANING

Check motor safety filter occasionally and clean when dirty.

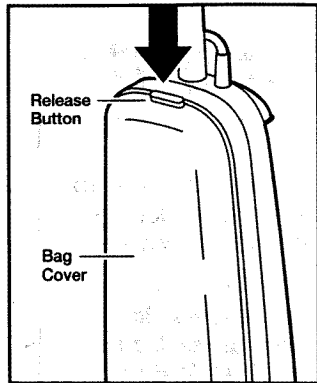


## WARNING

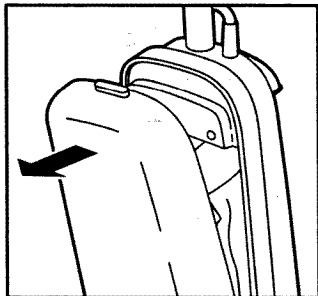
### Electrical Shock Hazard

Do not operate the cleaner without the motor safety filter. Be sure the filter is dry and properly installed to prevent motor failure and/or electrical shock.

**WARNING: Unplug power cord from electrical outlet.**

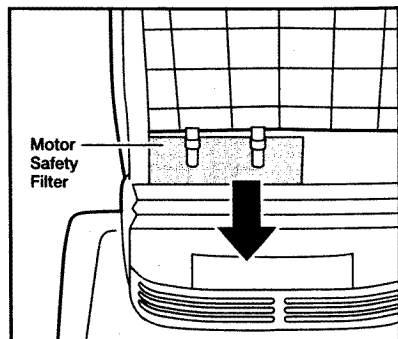
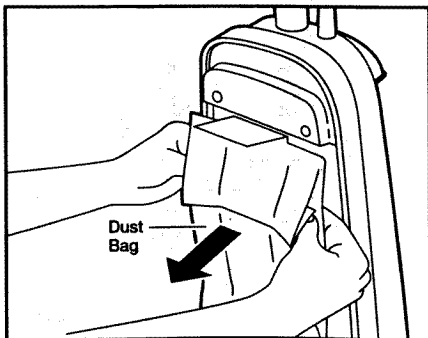


Press the release button located on the top of the bag cover.

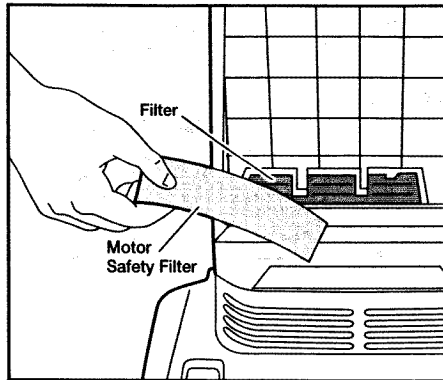


Pull the bag cover forward. Remove and lay aside.

Grasp the dust bag collar and pull gently, carefully removing the dust bag.



If the foam Motor Safety Filter located at the base of the bag cavity is dirty, remove it by pulling forward.



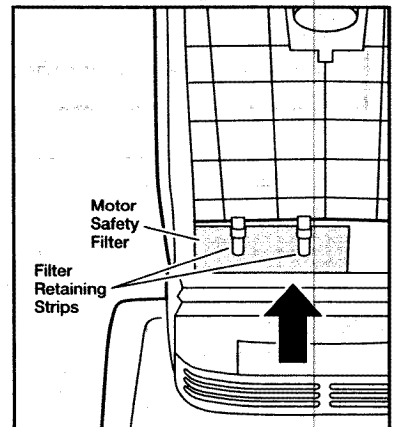
Check the filter located below the foam filter. If it is dirty, wipe it with a clean, dry cloth.

**Do not attempt to remove the filter located underneath the removable Motor Safety Filter.**

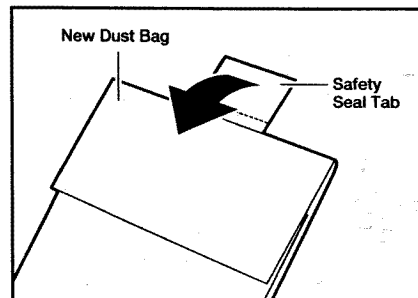
Wash the foam Motor Safety Filter in warm soapy water, rinse and dry.

Do not clean in the dishwasher. Do not install while damp.

Replace the foam Motor Safety Filter by sliding in underneath the filter retaining strips.



## To Replace Bag:



Fold the safety seal tab on the new bag away from the opening that fits on the dirt tube.



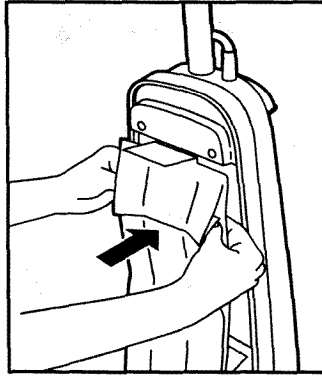
## CAUTION

NEVER REUSE A DUST BAG. Very fine materials, such as carpet fresheners, face powder, fine dust, plaster, soot, etc. can clog the bag and cause it to burst before it is full. Change bag more often when vacuuming these materials.

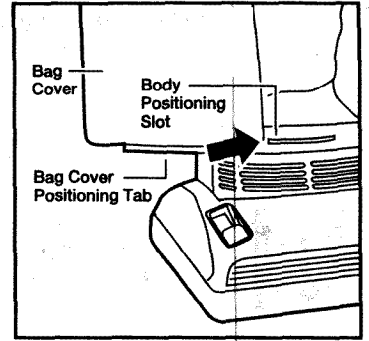
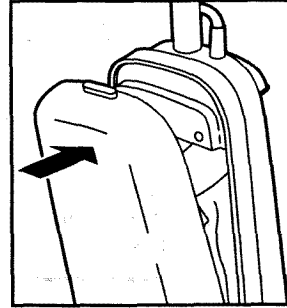
Unfold the new dust bag.

Insert the dust bag onto the bag holder completely by holding the bag collar.

Snap the dust bag collar into position.



Position the bag cover so its positioning tab fits into the body positioning tab slot.



Close the bag cover. You will hear a snap when the cover is securely closed.

## EXHAUST FILTER CLEANING



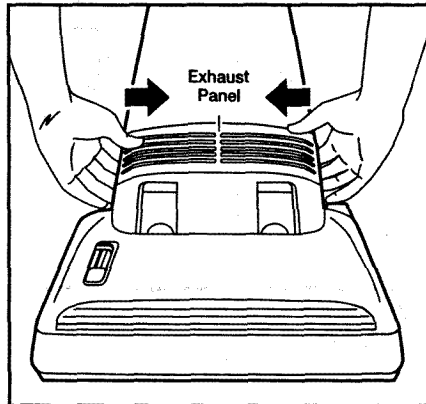
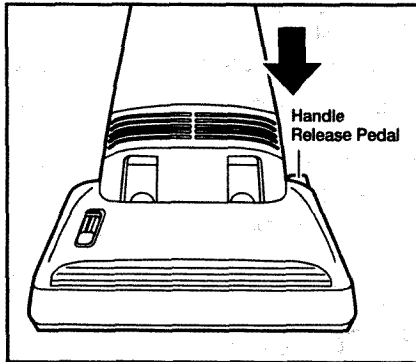
### WARNING

Do not operate without exhaust filter.

Check filter frequently.

Clean when dirty.

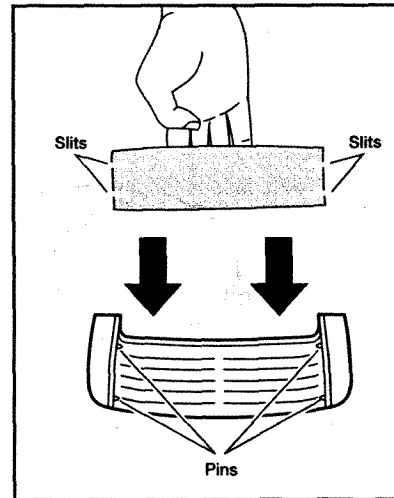
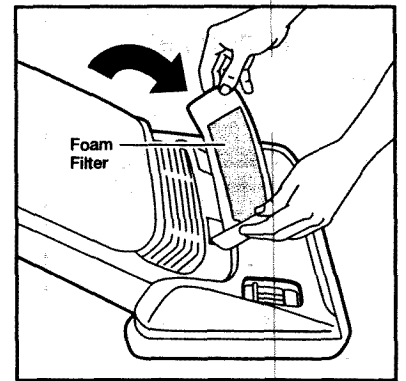
Press the handle release pedal to let the upper portion of the cleaner lay back against the floor.



Grasp the air exhaust panel with a hand on each side, press inward and pull the panel forward.

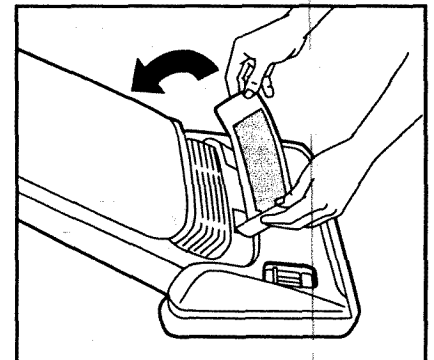
Lift the foam filter to remove. Wash the foam filter, rinse and dry.

Do not clean in the dishwasher. Do not install while damp.




Replace the dry foam filter, carefully positioning it so the slits fit around the four raised pins.

Replace the exhaust panel. Return the cleaner to the upright position.



# BELT CHANGING AND BRUSH CLEANING

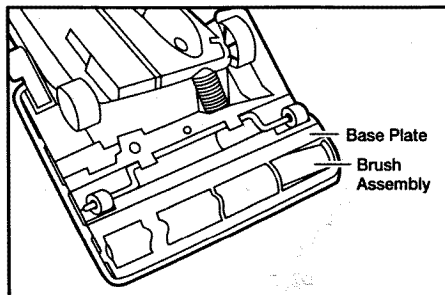
 **WARNING**

**Electrical Shock Or Personal Injury Hazard**  
*Disconnect electrical supply before servicing or cleaning the unit. Failure to do so could result in electrical shock or personal injury from cleaner suddenly starting.*

Frequently check and remove hair, string and lint build-up in the brush area. If build-up becomes excessive, follow the steps below:

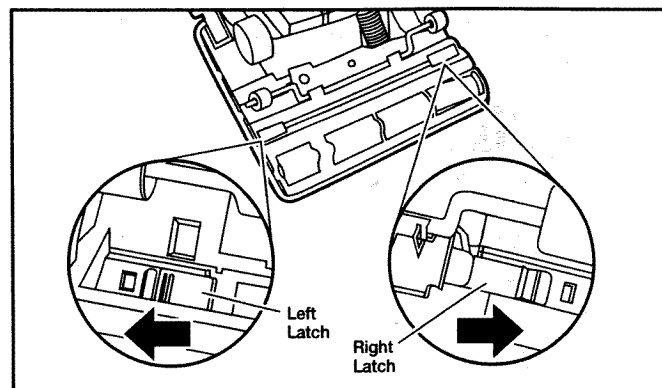
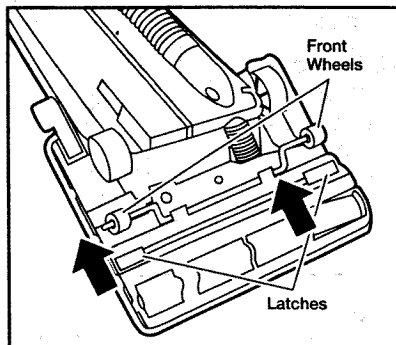
## To remove belt:

Disconnect power cord from electrical outlet.  
Lower the handle completely.



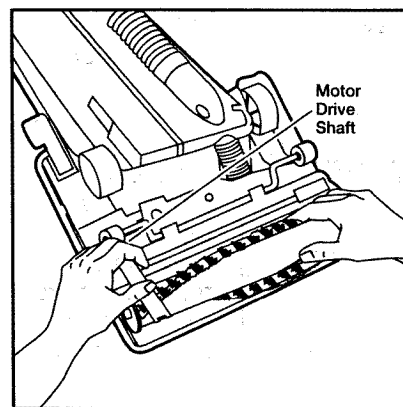
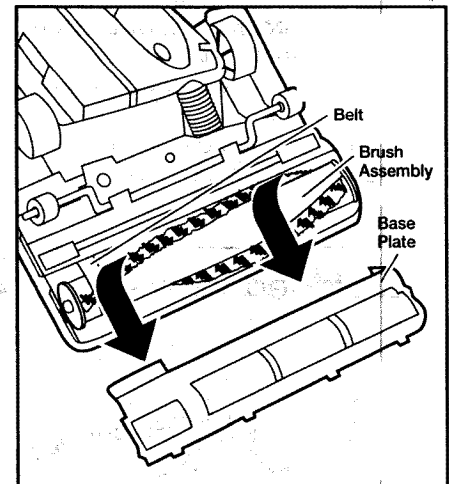
Turn the unit over so the brush assembly and base plate are facing upward.

Lift the front wheels to gain easy access to the two latches. Locate the two latches which secure the base plate.




To unlock the base plate, slide the left latch to the left and the right latch to the right.

Lift the base plate to uncover the brush assembly and belt.



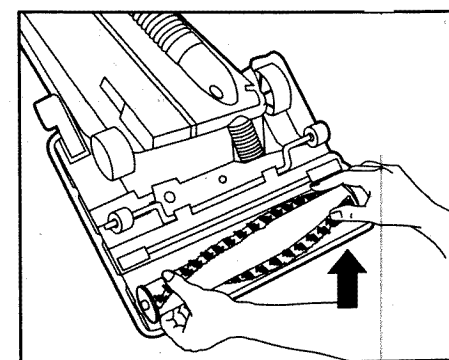
Position hands on the brush assembly. If the belt is still attached to the roller there will be tension on the brush assembly. If belt is not broken remove it from the motor drive shaft before lifting the brush assembly.

 **WARNING**

**Personal Injury Hazard**  
*Be careful when removing brush assembly, the belt tension is high. Failure to do so could result in personal injury from brush assembly releasing quickly and snapping away.*

Carefully lift the right end of the brush assembly and then lift the left end.

Carefully remove the end cap and washer from each end and lay them aside. See exploded view.





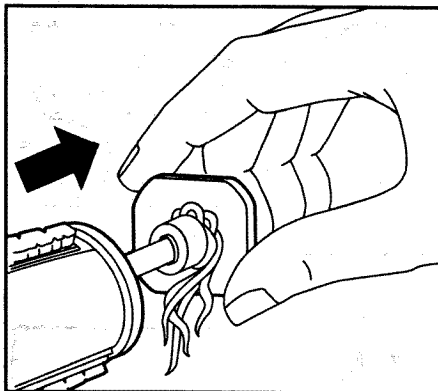
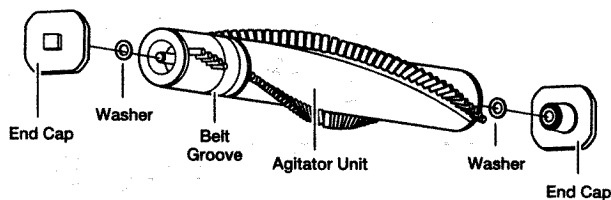


## CAUTION

When you remove the end caps, a small metal washer on each end may come off. DO NOT lose these two metal washers.

Remove any dirt or debris in the belt path area or in the brush roller area.

### Exploded View - Brush Assembly

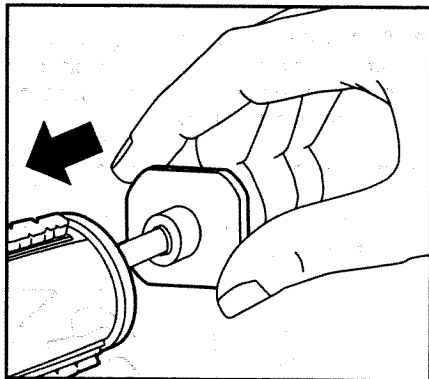


Carefully remove the brush end caps and metal washers to check for string and hair build-up. Remove any string or debris.

### IMPORTANT

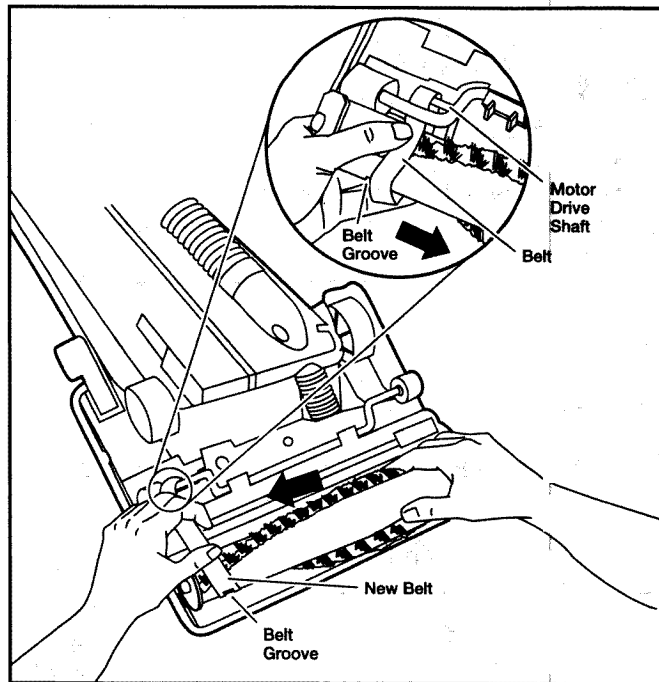
Replace the washers and then the end caps.

See exploded view for correct assembly.



### To replace belt:

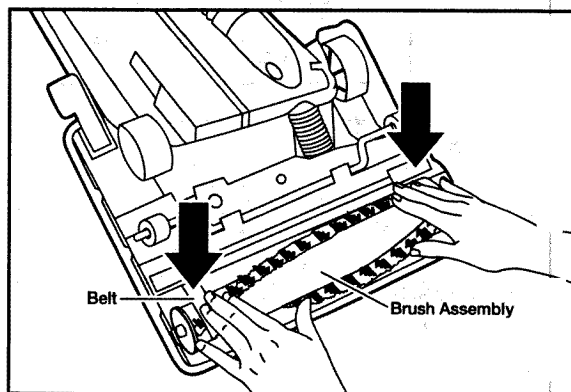
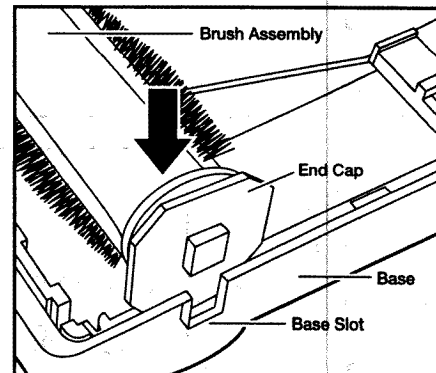
Loop the end of the new belt (#20-5286) on the brush assembly.



Loop the new belt on the motor drive shaft.

Align the square extension on each end cap with the slots in the frame of the base.

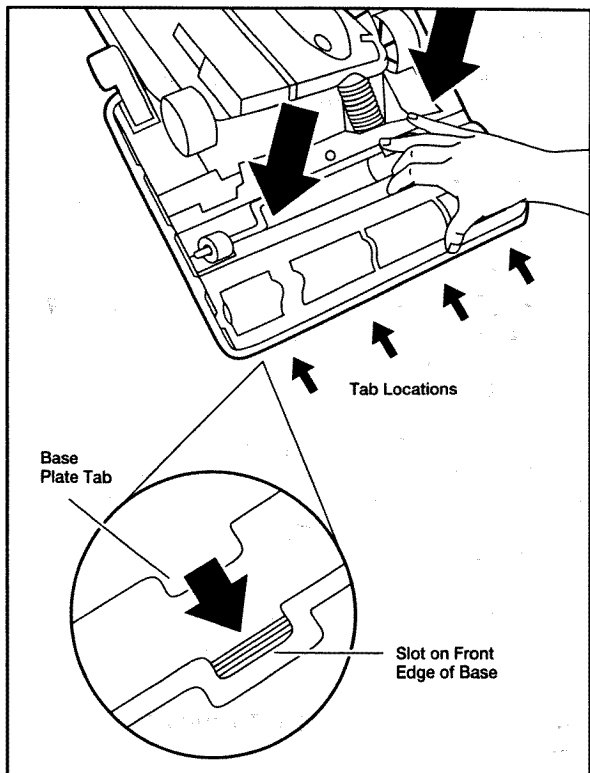
**NOTE:** Care must be taken due to the belt tension during reassembly.



Press firmly, checking to see that each end is completely inserted.

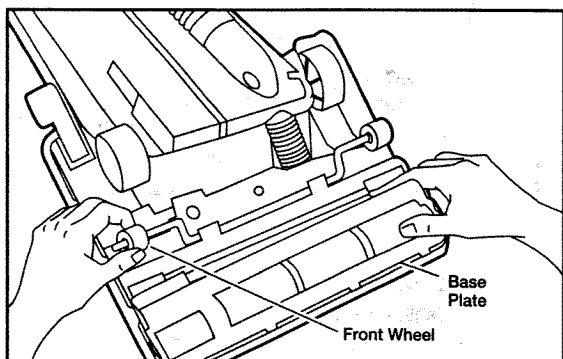
Check to see that the belt is centered in the belt groove. Turn the brush assembly with your fingers to see that it turns freely.

To re-attach the base plate, insert the four tabs into the four slots along the front edge of the base. Lower the base plate to its original position.

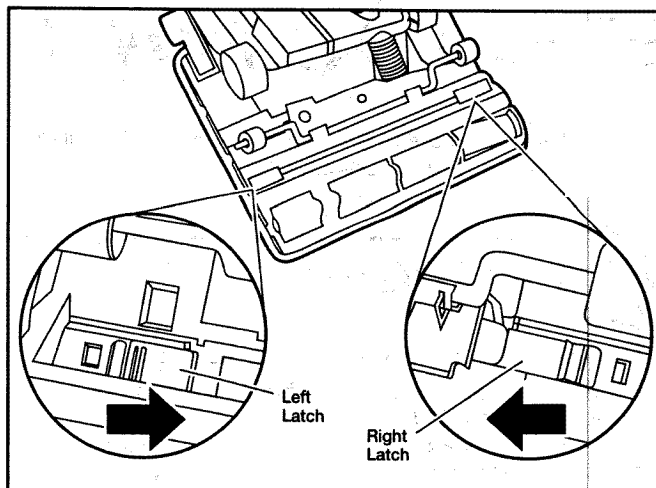
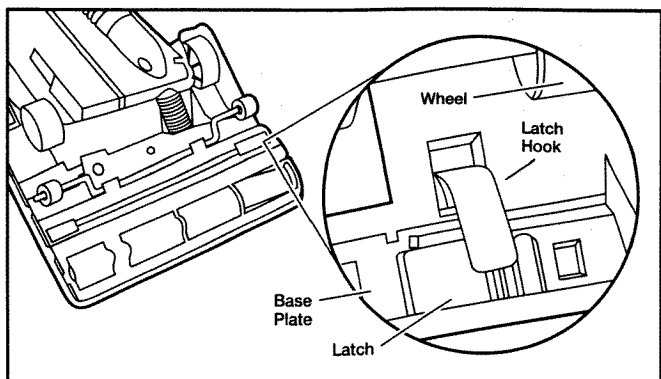


Lift the front wheel assembly.

As the base plate is lowered, the left side will brush against the front wheel.

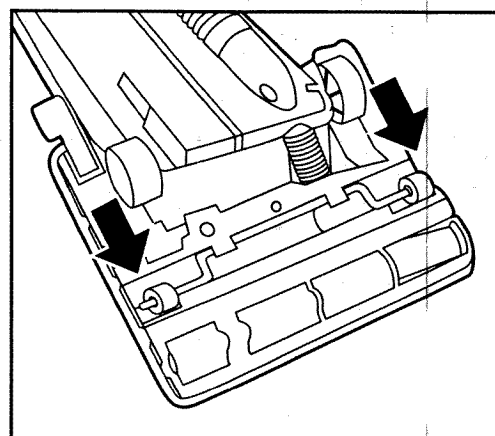


On the right side, lift the latch hook slightly to place the base plate into position. The base plate will not close unless the base plate is under the latch hook.



Slide latches toward the center of the unit to secure.

Reposition the front wheels forward into the operating position.



Return the cleaner to the upright position before plugging into the electrical outlet.

# CLOG REMOVAL

Always follow all safety precautions when cleaning and servicing the vacuum cleaner.



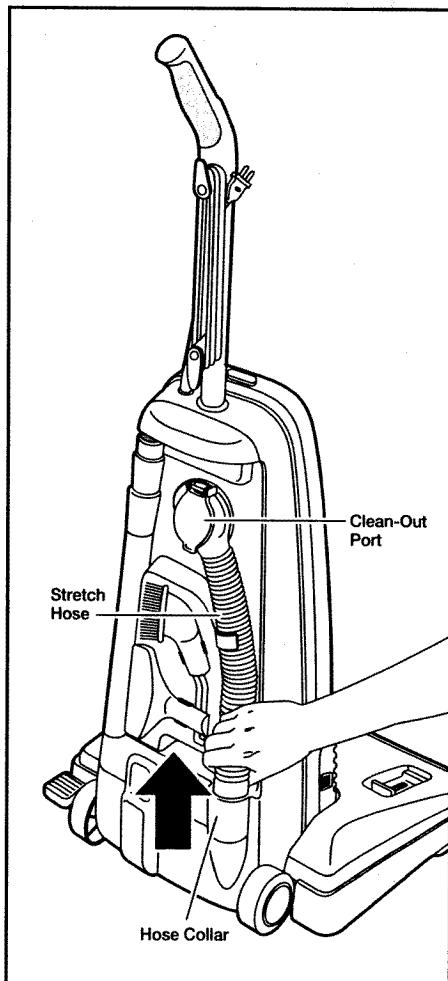
## WARNING

### Electrical Shock Or Personal Injury Hazard

**Disconnect electrical supply before servicing or cleaning the unit. Failure to do so could result in electrical shock or personal injury from cleaner suddenly starting.**

If the cleaner does not seem to have adequate suction, first check for a full bag or filter which is clogged. See instructions on Bag Changing on page 12 and Filter Changing on pages 13 and 14.

If the bag and filter areas are free of clogs, check the hose area. Remove the lower end of the stretch hose from the cleaner by grasping the hose collar,



twisting and pulling straight up.

Plug in the vacuum and turn it on. Alternately open and shut the clean-out port cover. Stretch the hose to maximum length and then allow the hose to return to its storage length.

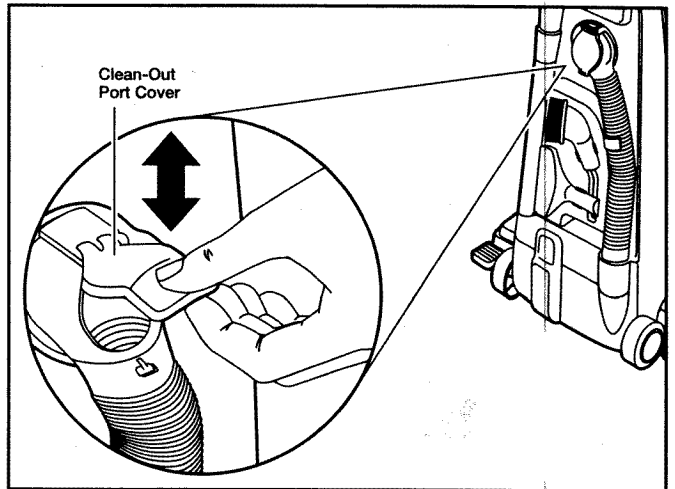
Turn the unit off and unplug the unit.

Visually inspect the clean-out port area and the base area into which the hose is inserted.

Remove visible clog.

Close clean-out port cover firmly to insure seal.

Re-insert the hose into the opening on the lower body from which it was removed. Press firmly to assure connection.



**NOTE:** Brush assembly will not turn if the hose is not fully inserted.



## WARNING

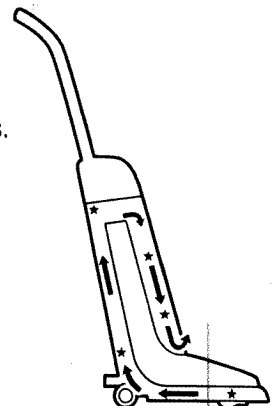
### Personal Injury Hazard

**DO NOT place hands or feet underneath the unit when inserting the hose. The brush assembly begins to revolve rapidly when the vacuum is turned on and is switched to a carpet height setting.**

If the bag and filter areas and the hose areas are free of clogs, check the nozzle area. To check this area, see the section on Belt Changing and Brush Cleaning on pages 15-17.

Return the cleaner to the upright position before plugging into the electrical outlet.

For best cleaning results, keep the airflow passage open. Check each starred area occasionally for clogs. Unplug from outlet before checking.



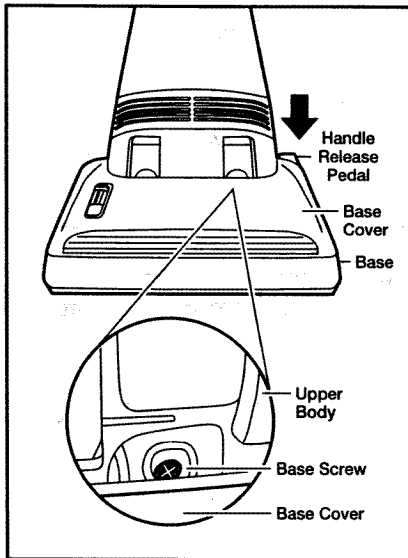
# LIGHT BULB CHANGING



## WARNING

**Electrical Shock Or Personal Injury Hazard**  
Disconnect electrical supply before servicing or cleaning the unit. Failure to do so could result in electrical shock or personal injury from cleaner suddenly starting.

Disconnect the power cord from the electrical outlet.



Press the handle release pedal to let the upper portion of the cleaner lay back against the floor.

Locate the base screw which attaches the base cover to the base.

Remove the base screw.



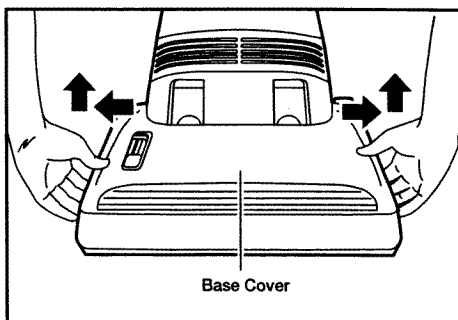
## CAUTION

Do not remove the two screws on the upper body which are located to the left and right of the base screw.

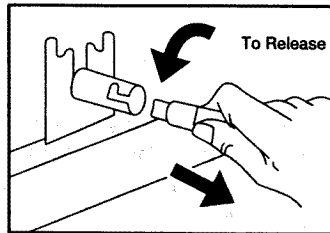
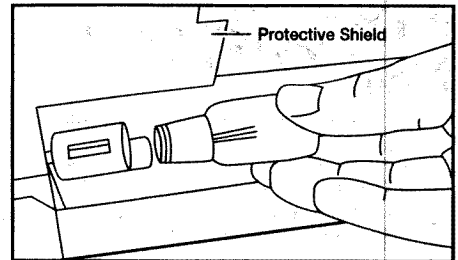
Place hands on the sides of the base cover so that your fingers extend to grasp the lower edge of the base cover.

Gently pull the base cover away from the base and lift up.

Lay the base cover aside.



Lift the protective shield. To release the light bulb, carefully push the bulb in and turn to the left.

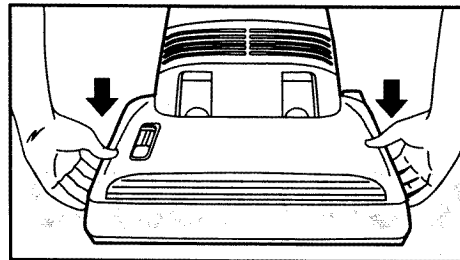
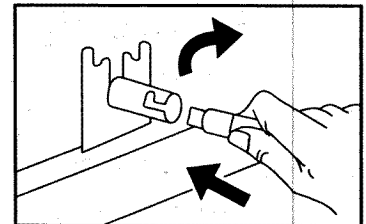


Pull the light bulb to remove.

**CAUTION:** Replace the light bulb with the same or smaller wattage size to prevent possible damage to surrounding parts.

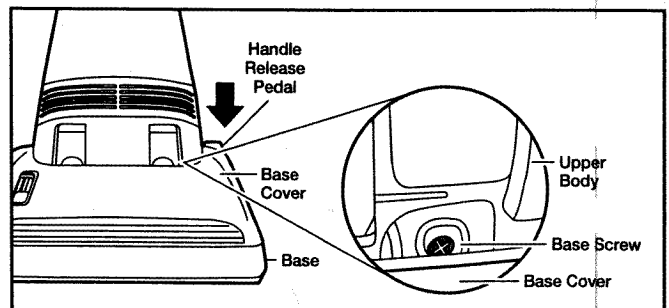
To replace the light bulb (#20-5240), carefully insert and turn it to the right.

**CAUTION:** Do not plug in or turn on until the vacuum is completely reassembled.



Replace the base cover over the base. Press down firmly so the cover snaps onto the base.

Replace the base screw.



## CAUTION

Do not operate the cleaner without the screw in place. Do not overtighten. Overtightening could strip the screw hole.

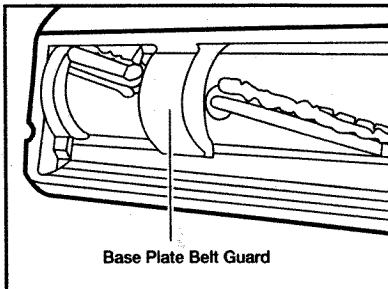
# BRUSH SERVICING



## WARNING

**Electrical Shock Or Personal Injury Hazard**  
*Disconnect electrical supply before servicing or cleaning the unit. Failure to do so could result in electrical shock or personal injury from cleaner suddenly starting.*

### To check brush:



When brushes are worn to the level of the base plate belt guard or when the back-up beater bar is chipped or gouged, replace the brushes.

### To replace brush:

Remove the base plate and brush assembly. See Belt Changing section on page 15.

Remove the brush supports and washers.

Push out worn brushes and end brushes.

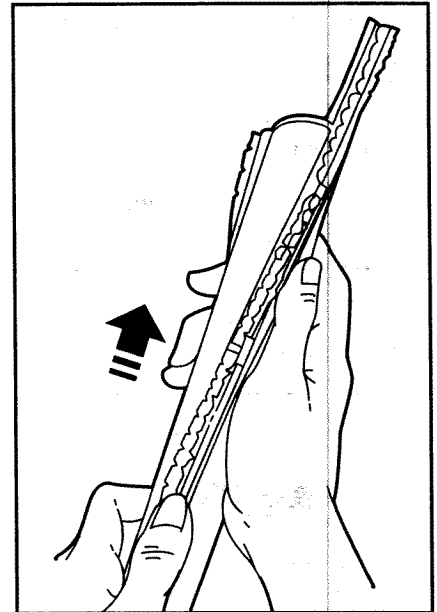
Slide the new brushes and end brushes into the slots. Make sure not to reverse the brush and back-up beater bar position. (See Brush Assembly drawing below.)

Replace the washers and brush supports.

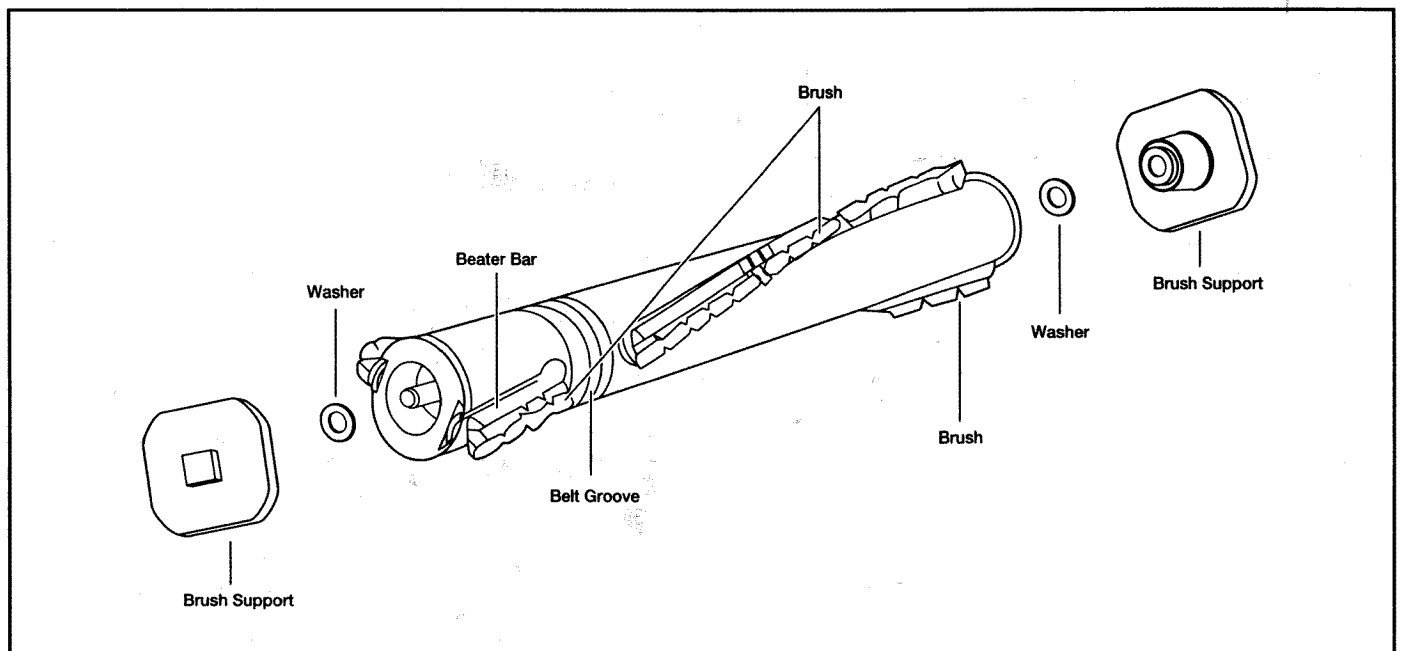
**NOTE: New brushes and end brushes may be easier to install if they are soaked**

**in warm water for a few minutes before sliding them into the slots. Do not use oil. Dry thoroughly before reinstalling.**

Reassemble the belt, brush assembly and base plate. See instructions for replacing belt in Belt Changing section which begins on page 15.




# BRUSH ASSEMBLY



# ≡ TROUBLESHOOTING

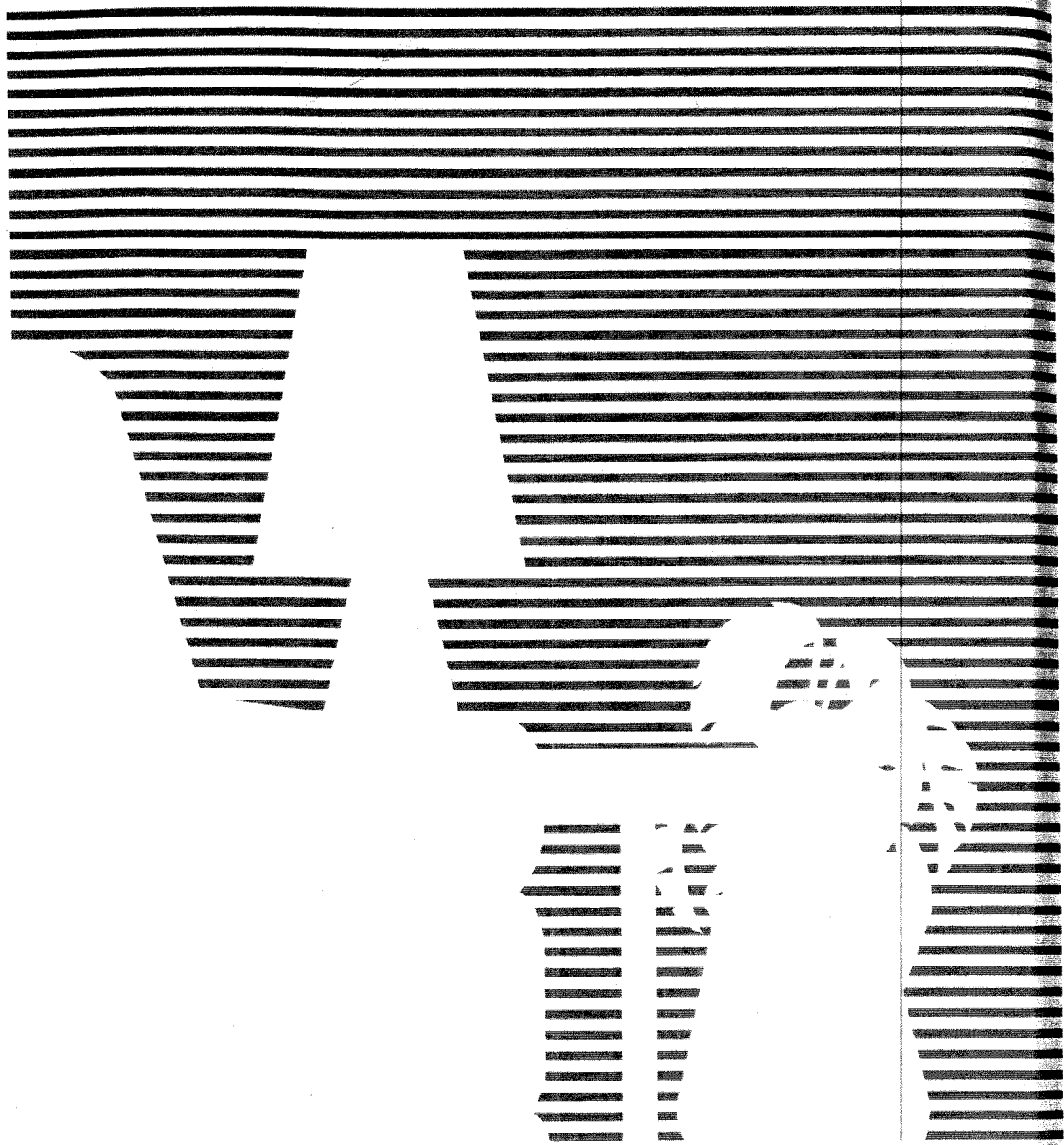
Review this chart to find do-it-yourself solutions for minor performance problems.



## WARNING

**Electrical Shock or Personal Injury Hazard**  
**Disconnect electrical supply before servicing or cleaning the unit. Failure to do so could result in electrical shock or personal injury from cleaner suddenly starting.**

PROBLEM	POSSIBLE CAUSE	POSSIBLE SOLUTION
Cleaner won't run.	<ol style="list-style-type: none"> <li>1. Unplugged at wall outlet.</li> <li>2. Tripped circuit breaker/blown fuse at household service panel.</li> <li>3. On-Off Switch not turned ON.</li> <li>4. Tripped thermostat on suction motor. (Brush and light still work.)</li> </ol>	<ol style="list-style-type: none"> <li>1. Plug in firmly, push On/Off Switch to ON.</li> <li>2. Reset circuit breaker or replace fuse.</li> <li>3. Push On-Off Switch to ON.</li> <li>4. Allow cleaner to cool down for 20-30 minutes. Check for full bag, clogged filter, nozzle.</li> </ol>
Poor job of dirt pick-up	<ol style="list-style-type: none"> <li>1. Full or clogged dirt bag.</li> <li>2. Wrong Height Adjustment Lever Setting.</li> <li>3. Worn brush.</li> <li>4. Clogged nozzle.</li> <li>5. Clogged dust tube.</li> <li>6. Hole in hose.</li> <li>7. Broken belt.</li> <li>8. Hose not inserted fully.</li> <li>9. Tripped Belt Protection System.</li> <li>10. Dirty Motor Safety Filter.</li> </ol>	<ol style="list-style-type: none"> <li>1. Change bag, (page 12).</li> <li>2. Adjust setting, (page 6).</li> <li>3. Change brush, (page 20).</li> <li>4. Clog removal, (page 18).</li> <li>5. Clog removal, (page 18).</li> <li>6. Replace hose.</li> <li>7. Replace belt, (page 15).</li> <li>8. Insert hose fully, (page 7).</li> <li>9. Check for clogs, (page 18).</li> <li>10. Clean filter, (page 14).</li> </ol>
Cleaner picks up movable rugs –OR– pushes too hard.	<ol style="list-style-type: none"> <li>1. Wrong Height Adjustment Lever Setting.</li> <li>2. Wrong speed.</li> </ol>	<ol style="list-style-type: none"> <li>1. Adjust to higher setting, (page 6).</li> <li>2. Use LO speed, (optional-page 6).</li> </ol>
Light won't work.	<ol style="list-style-type: none"> <li>1. Burned out light bulb.</li> <li>2. Attachment hose not properly inserted into base at rear.</li> <li>3. Height Adjustment Lever in Bare Floor Setting.</li> <li>4. Tripped Belt Protection.</li> </ol>	<ol style="list-style-type: none"> <li>1. Change light bulb, (page 19).</li> <li>2. Check for proper insertion.</li> <li>3. Switch lever to ex lo, medium or high depending on carpet height, (optional – page 6.).</li> <li>4. Reset Belt Protection System, (page 10).</li> </ol>
Brush assembly does not turn.	<ol style="list-style-type: none"> <li>1. Broken belt.</li> <li>2. Tripped Belt Protection System.</li> <li>3. Attachment hose not properly inserted into base at rear.</li> <li>4. Height Adjustment Lever in Bare Floor Setting.</li> <li>5. Wrong Height Adjustment.</li> </ol>	<ol style="list-style-type: none"> <li>1. Replace belt, (page 15).</li> <li>2. Check for clogs, (page 18). Reset Belt Protection System, (page 10).</li> <li>3. Check for proper insertion.</li> <li>4. Switch lever to ex lo or auto, low, medium, or high, (optional – page 6).</li> <li>5. Raise setting to higher setting, (page 6).</li> </ol>
Performance indicator (optional) is red.	<ol style="list-style-type: none"> <li>1. Full or clogged dirt bag.</li> <li>2. Dirty Motor Safety Filter.</li> <li>3. Clogged airflow passage.</li> <li>4. Certain attachment tools.</li> </ol>	<ol style="list-style-type: none"> <li>1. Change bag, (page 12).</li> <li>2. Clean filter, (page 14).</li> <li>3. Clear clog from airflow passage, (page 18).</li> <li>4. This is normal. Light should go off when tool is removed.</li> </ol>



**SEARS**

SEARS, ROEBUCK AND CO., HOFFMAN ESTATES, IL 60195 U.S.A.

PART NO. CØ1ZYU3ØUØØ-4368722E  
Printed in U.S.A.