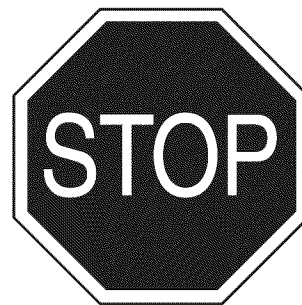


# Owner's Manual

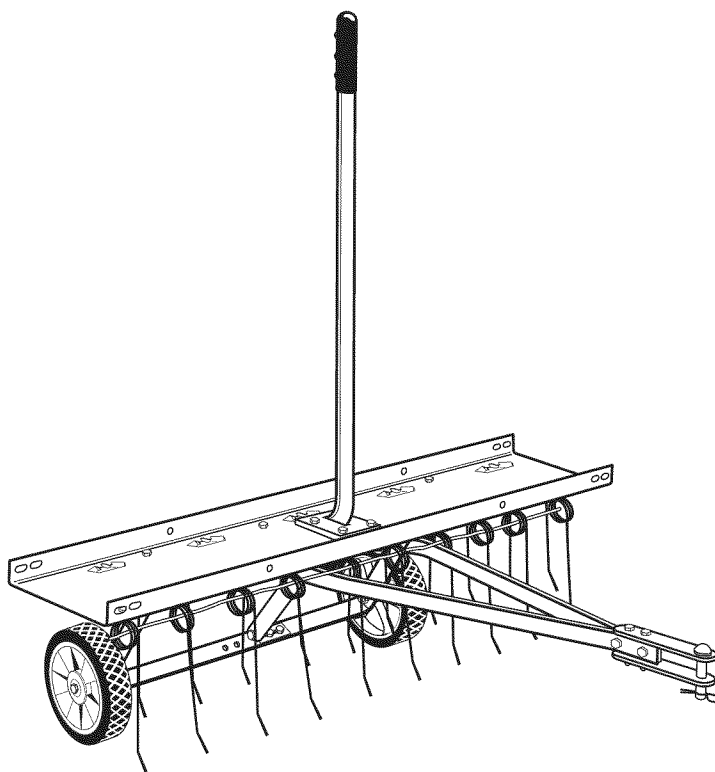


## 40" TINE DETHATCHER

Model No. 486.243152

Model No. 486.24316

DO NOT RETURN TO STORE  
For Missing Parts or Assembly  
Questions Call 1-866-576-8388



### CAUTION:

Before using this product, read this manual and follow all Safety Rules and Operating Instructions.

- Safety
- Assembly
- Operation
- Maintenance
- Parts

Sears, Roebuck and Co., Hoffman Estates, IL 60179 U.S.A.  
[www.sears.com/craftsman](http://www.sears.com/craftsman)

## TABLE OF CONTENTS

SAFETY RULES.....	2	OPERATION.....	6
FULL SIZE HARDWARE CHART.....	3	MAINTENANCE/STORAGE.....	6
CARTON CONTENTS.....	4	REPAIR PARTS.....	7
ASSEMBLY.....	4	PARTS ORDERING/SERVICE.....	Back Cover

## WARRANTY

### ONE YEAR FULL WARRANTY

When operated and maintained according to the instructions supplied with it, if this Tine Dethatcher fails due to a defect in material or workmanship within one year from the date of purchase, call 1-800-4-MY-HOME® to arrange for free repair (or replacement if repair proves impossible).

If this product is used for commercial or rental purposes, this warranty applies for only 90 days from the date of purchase.

This warranty gives you specific legal rights, and you may also have other rights which vary from state to state.

Sears, Roebuck and Co., D817WA, Hoffman Estates, IL 60179

The model number and serial numbers will be found on a decal attached to the dethatcher.  You should record both the serial number and the date of purchase and keep in a safe place for future reference.	SERIAL NUMBER: _____  DATE OF PURCHASE: _____
--	---



## SAFETY



Any power equipment can cause injury if operated improperly or if the user does not understand how to operate the equipment. Exercise caution at all times when using power equipment.

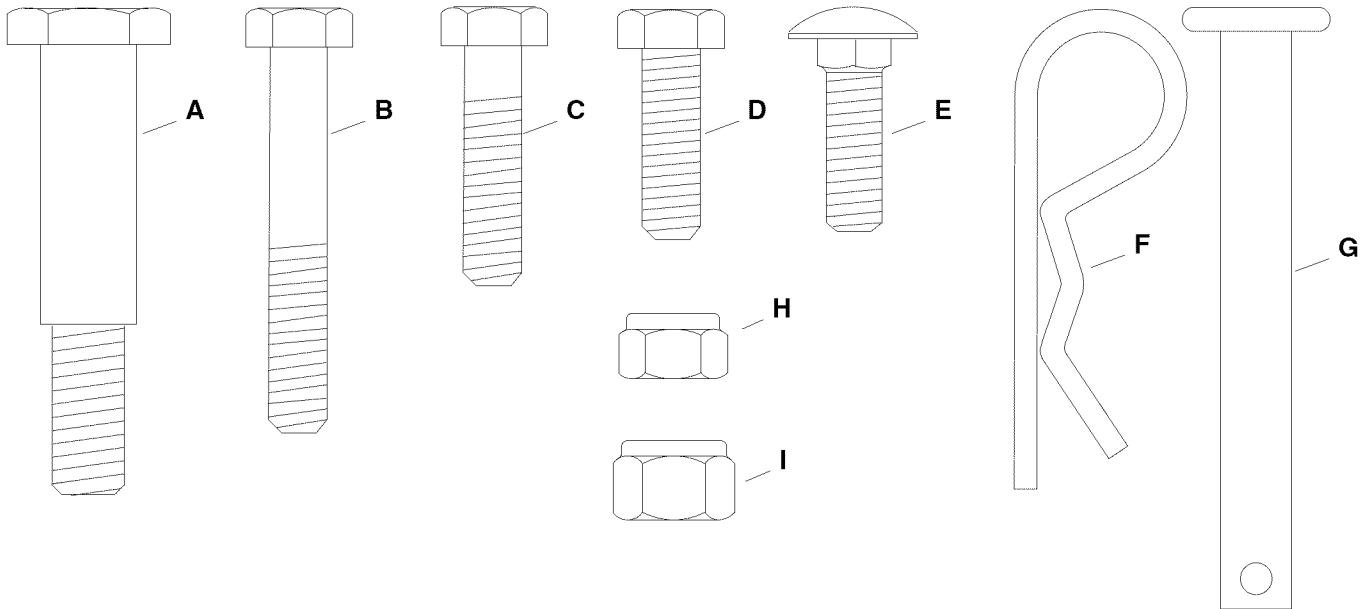
- Read this owners manual carefully for operating and service instructions before attempting to assemble or operate this equipment. Be thoroughly familiar with the proper use of this equipment.
- Read the vehicle owners manual and vehicle safety rules, and know how to operate the vehicle before using this equipment.
- Never allow children to operate the tractor or dethatcher attachment, and do not allow adults to operate without proper instructions.
- This dethatcher attachment has sharp tine points. Always handle with care and wear substantial foot wear when operating this dethatcher.
- Do not allow anyone to ride or sit on dethatcher attachment frame or on towing vehicle.
- Keep the area of operation clear of all persons, particularly small children, and also pets.
- Always begin with the transmission in first (low) gear and engine at low speed, and gradually increase speed as conditions permit.
- The vehicle braking and stability may be affected with the attachment of this equipment. Be aware of changing conditions on slopes. Refer to safety rules in the vehicle owner's manual concerning safe operation on slopes. **STAY OFF OF STEEP SLOPES.**
- Always operate up and down a slope, never across the face of a slope
- This equipment should be operated at reduced speed on rough terrain, along creeks and ditches and on hillsides, to prevent tipping and loss of control. Do not drive too close to a creek or a ditch.
- Do not tow this equipment on a highway or any other public thoroughfare.
- Follow the maintenance instructions as outlined in this owners manual.



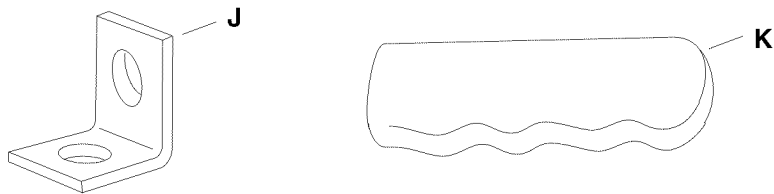
Look for this symbol to point out important safety precautions. It means — **Attention!! Become alert!! Your safety is involved.**

# HARDWARE PACKAGE CONTENTS

## SHOWN FULL SIZE



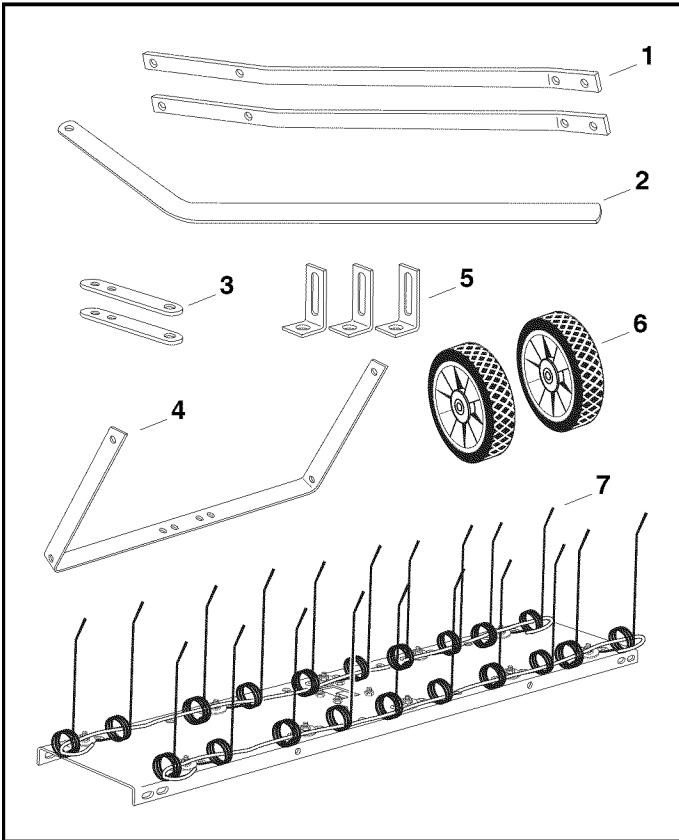
## NOT SHOWN FULL SIZE



Ref.	Qty.	Description	Ref.	Qty.	Description
A	2	Shoulder Bolt	H	19	Nylock Nut, 5/16"
B	2	Hex Bolt, 5/16" x 2" Lg.	I	2	Nylock Nut, 3/8"
C	2	Hex Bolt, 5/16" x 1-1/4" Lg.	J	4	Angle Bracket
D	11	Hex Bolt, 5/16" x 1" Lg.	K	1	Grip
E	4	Carriage Bolt, 5/16" x 1"			
F	1	Hair Cotter Pin, 1/8"			
G	1	Hitch Pin, 3/8"			

# ASSEMBLY

## CARTON CONTENTS



1. Hitch Mount Arms (2)
2. Lift Handle
3. Hitch Brackets (2)
4. Axle Bracket
5. Hitch Arm Mount Brackets (3)
6. Wheels (2)
7. Tine Shield Assembly

## TOOLS REQUIRED FOR ASSEMBLY

- (2) 1/2" wrenches
- (1) 9/16" wrench
- (1) 3/4" wrench or adjustable wrench
- (1) Pliers

## REMOVAL OF PARTS FROM CARTON

- Remove all parts and hardware packages from the carton. Lay out all parts and hardware and identify using the illustrations on pages 3 and 4.

- Assemble two (tall) hitch arm mount brackets and two (short) angle brackets to the bottom of the tine shield at the rear. Use four 5/16" x 1" hex bolts and 5/16" nylock nuts. **Do not tighten yet.** Position the brackets as shown in figure 1.
- Assemble two angle brackets to the bottom of the tine shield at the front. Use two 5/16" x 1" hex bolts and 5/16" nylock nuts. **Do not tighten yet.** Position the brackets as shown in figure 1.

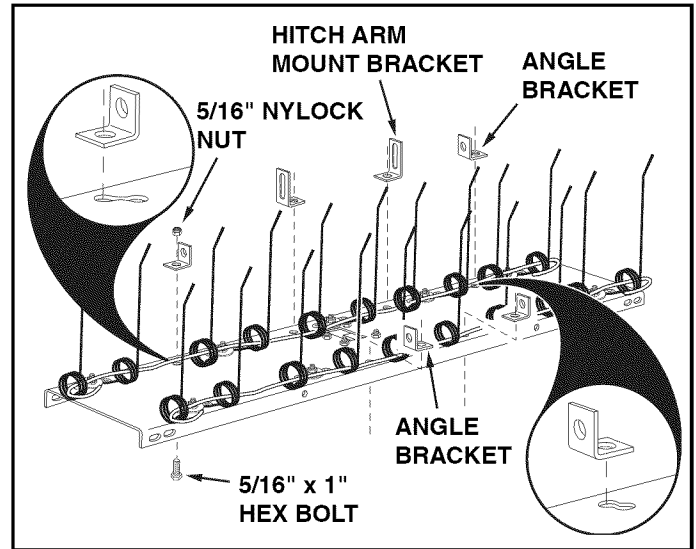


FIGURE 1

- Fasten the hitch mount arms to the outside of the front angle brackets. Use two 5/16" x 1" hex bolts and 5/16" nylock nuts. **Tighten**, then **loosen** the nuts slightly. See figure 2.
- Fasten the hitch mount arms to the outside of the rear hitch arm mount brackets. Use two 5/16" x 1" carriage bolts and 5/16" nylock nuts. **Do not tighten yet.** See figure 2.

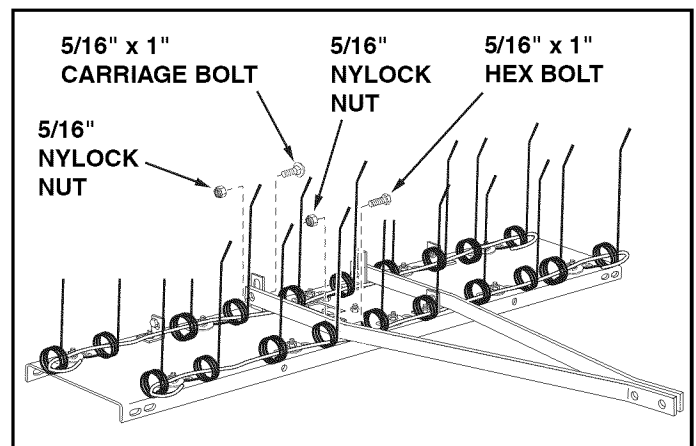


FIGURE 2

- Assemble the front ends of the hitch mount arms together using two 5/16" x 1-1/4" hex bolts and 5/16" nylock nuts. **Do not tighten yet.** See figure 3.
- Assemble the hitch brackets to the top and bottom of the hitch mount arms using two 5/16" x 2" hex bolts and 5/16" nylock nuts. **Do not tighten yet.** See figure 3.
- Assemble the 3/8" hitch pin through the hitch brackets and secure it with a 1/8" hair cotter pin. See figure 3.

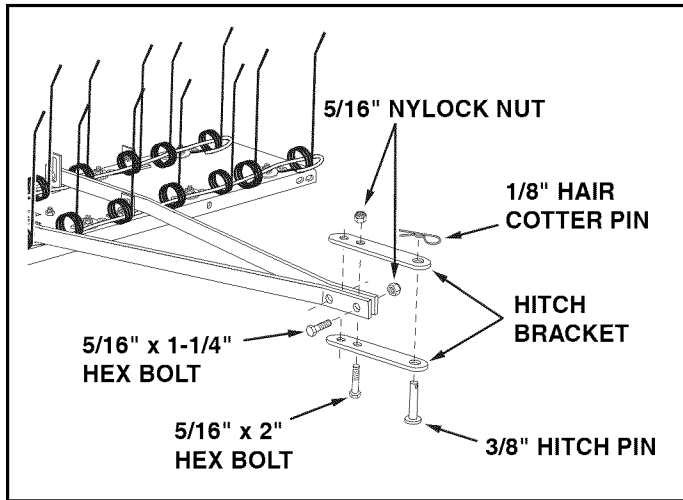


FIGURE 3

- **Tighten** the bolts and nuts assembled in figure 3.
- **Tighten** the bolts and nuts assembled in figure 1.
- **Tighten** the rear bolts and nuts assembled in figure 2.
- Assemble the axle bracket to the outside of the rear angle brackets using two 5/16" x 1" hex bolts and 5/16" nylock nuts. The angled ends of the axle bracket must point as shown in figure 4. **Tighten** the bolts and nuts and then **loosen** slightly.

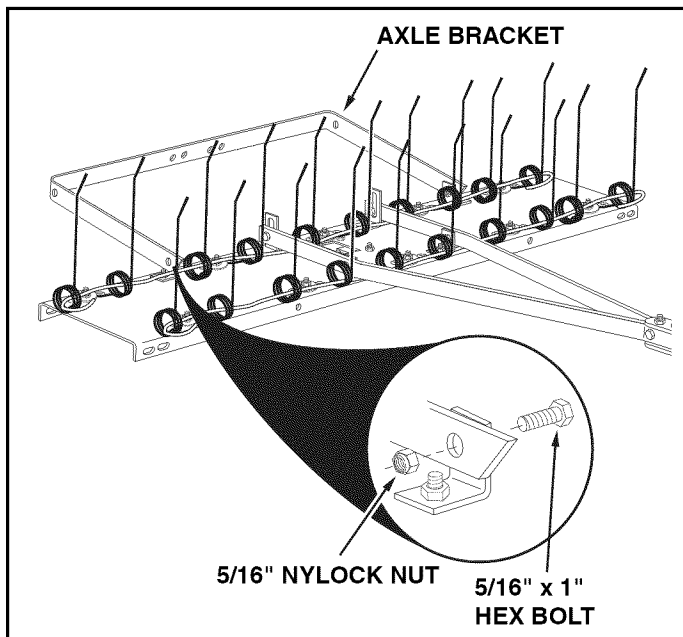


FIGURE 4

- Assemble the wheels to the axle bracket using two shoulder bolts and two 3/8" nylock nuts. **Tighten.** See figure 5.

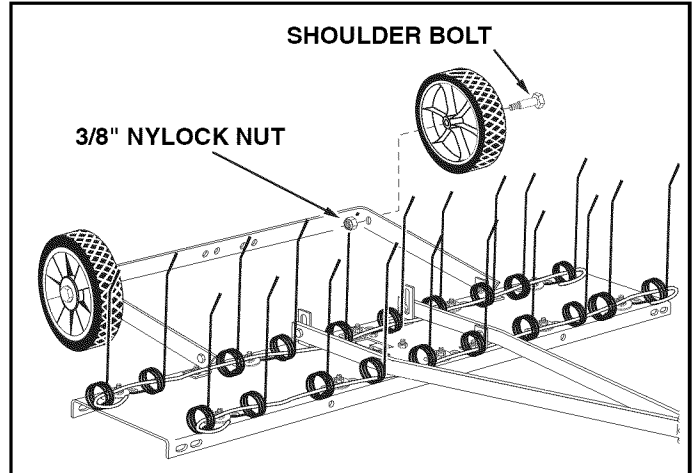


FIGURE 5

- Assemble a hitch arm mount bracket to the axle bracket using two 5/16" x 1" carriage bolts and 5/16" nylock nuts. **Do not tighten yet.** See figure 6.
- Insert the lift handle down through the tine shield. Attach it to the just assembled hitch arm mount bracket using a 5/16" x 1" hex bolt and a 5/16" nylock nut. **Tighten.** See figure 6.
- Position the hitch arm mount bracket so that there is side tension on the lift handle when it is locked in the up position. **Tighten** the nuts. See figure 6.
- Assemble the grip onto the end of the lift handle. See figure 6.

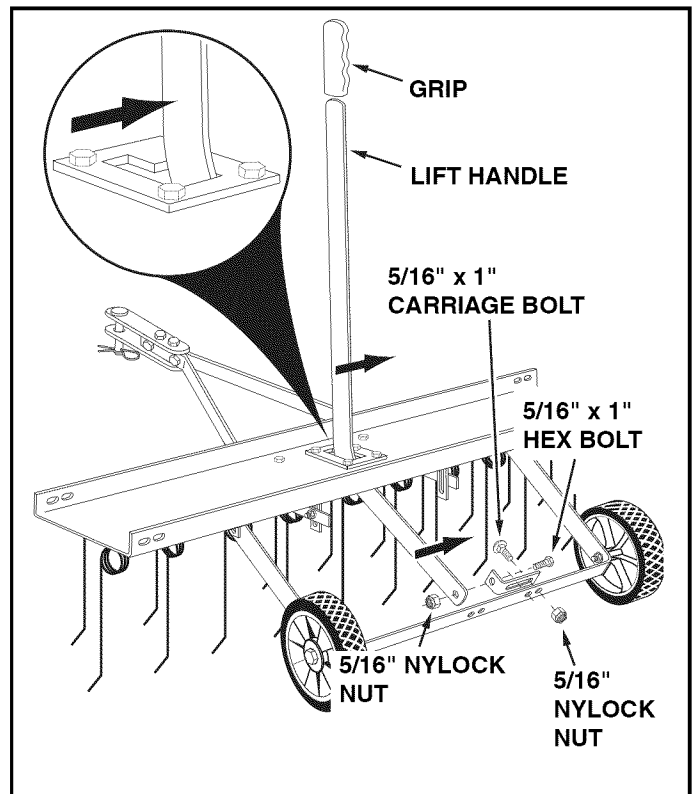


FIGURE 6

# OPERATION

Regular removal of thatch is critical to maintenance of a healthy lawn. Excessive thatch prevents air, water and fertilizer from reaching the roots. To effectively dislodge excessive thatch from your lawn, read these instructions for proper adjustment and operation of the dethatcher.

## ADJUSTMENT OF TINE SHIELD

- Move the towing vehicle onto a level surface, such as a driveway or garage floor and attach the tine dethatcher to the vehicle hitch. See figure 7.
- Lower the dethatcher into operating position using the lift handle. Loosen the two nylock nuts and carriage bolts which fasten the hitch mount arms to the hitch arm mount brackets at the rear of the tine shield. Adjust the tine shield until it is level and both the front and rear spring tines are in contact with the ground. Retighten the hex nuts. See figure 7.

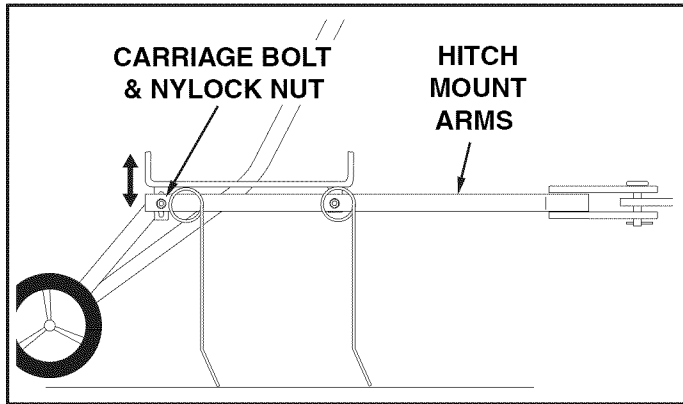


FIGURE 7

## OPERATING TIPS

- Vary the vehicle's forward speed until the best dethatching action is achieved.
- For best results, use a crisscross pattern on your lawn.
- If the dethatcher appears to be "jumping" during use, then extra weight should be added to the tine shield. In most conditions extra weight will be needed. Concrete patio blocks are recommended for weight because of their low profile; however any type of weight is suitable if it can be tied down to the shield. Secure weight by using suitable binding material such as rubber tie down straps or wire, fastening to the holes in the shield flange. See figure 8.

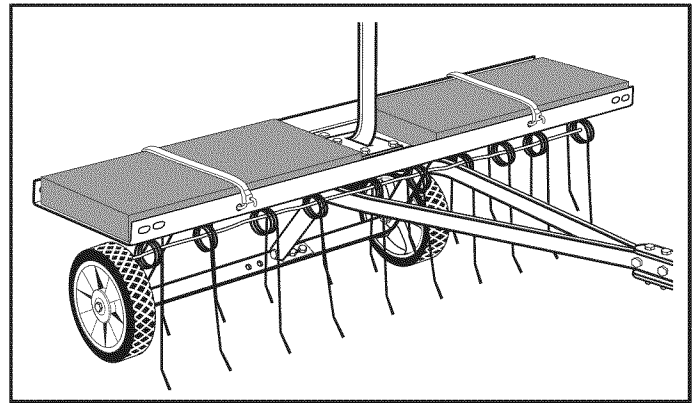


FIGURE 8

# MAINTENANCE/STORAGE

## CUSTOMER RESPONSIBILITIES

- Read and follow the maintenance schedule and the maintenance procedures listed in this section.

MAINTENANCE SCHEDULE Fill in dates as you complete regular service.	Service Dates											
	Before each use	After each use	Every season	Before storage								
Check for loose fasteners	X											
Lubrication		X										

- Before each use check all nuts and bolts for tightness.
- Lubricate wheels at least once a year or as needed.
- If rust appears on the shield or spring tines, sand lightly and coat with enamel paint.
- Always store in a dry area, and coat exposed metal with light oil when not in use.
- To remove a spring tine, insert a screw driver or punch into the locking tab and pry up. Replace spring tine and pry tab down. See figure 9.

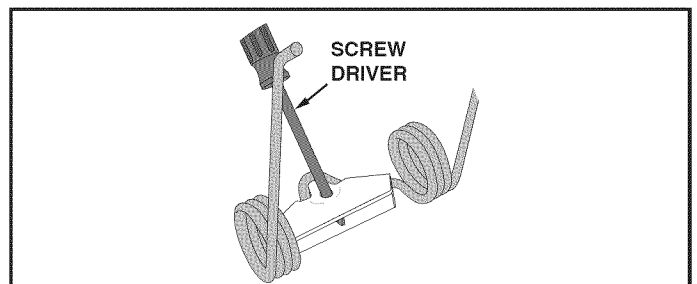
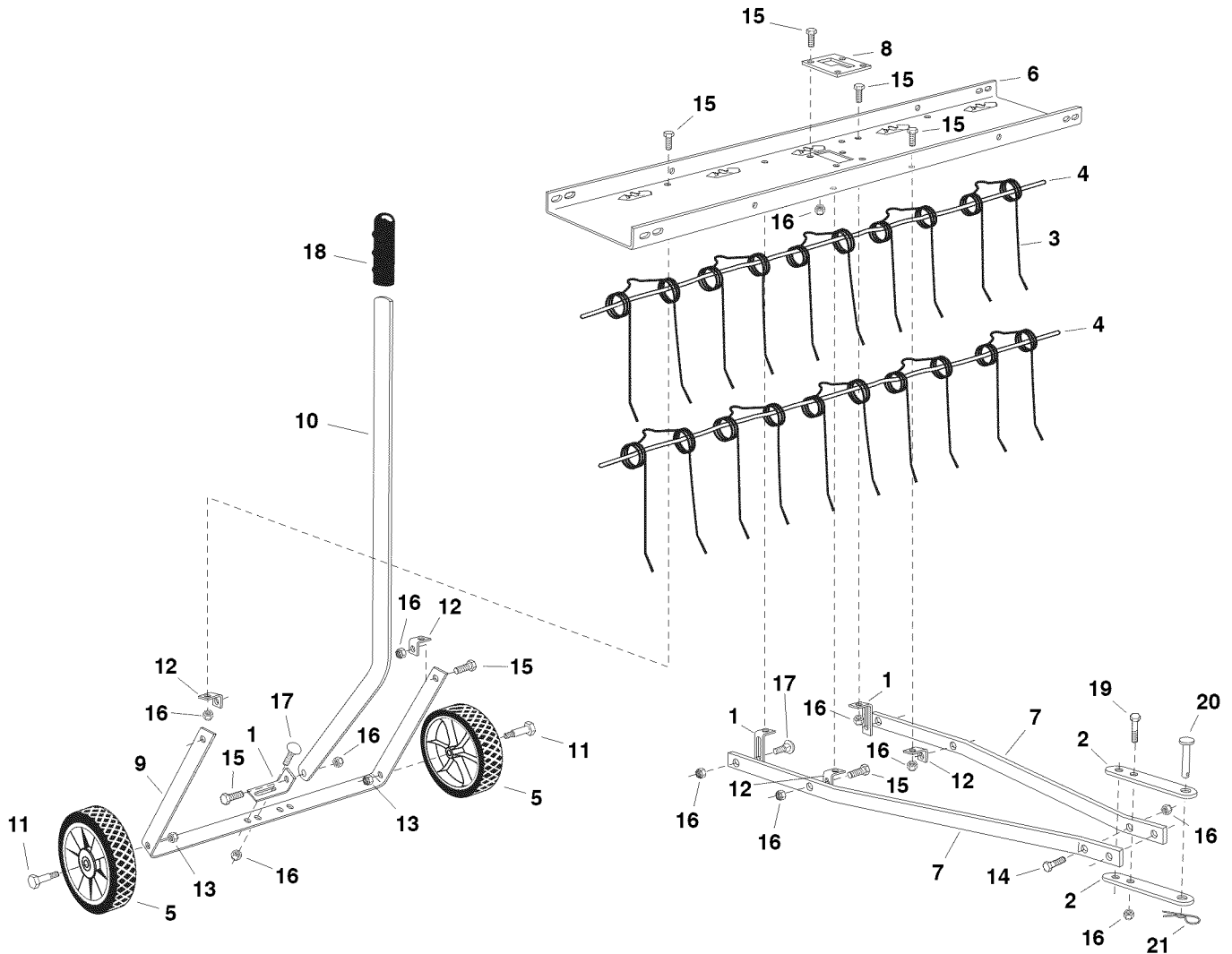


FIGURE 9

# PARTS

## 40" TINE DETHATCHER MODELS 486.243152, 486.24316



REF. NO.	PART NO.	QTY.	DESCRIPTION	REF. NO.	PART NO.	QTY.	DESCRIPTION
1	23442	3	Hitch Arm Mount Bracket	13	HA21362	2	Nylock Nut, 3/8-16
2	23981	2	Hitch Bracket	14	43840	2	Hex Bolt, 5/16-18 x 1-1/4"
3	43783	10	Spring Tine	15	43063	15	Hex Bolt, 5/16-18 x 1"
4	47633	2	Spring Alignment Wire	16	47810	23	Nylock Nut, 5/16-18
5	43021	2	Wheel	17	44326	4	Carriage Bolt, 5/16-18 x 1"
6	24836	1	Tine Shield	18	43943	1	Handle Grip
7	23914	2	Hitch Mount Arm	19	44180	2	Hex Bolt, 5/16-18 x 2"
8	24594	1	Lift Plate	20	47623	1	Hitch Pin, 3/8" (Flat Head)
9	24595	1	Axle Bracket	21	43343	1	Hair Cotter Pin, 1/8"
10	24596	1	Lift Handle		42107	1	Owner's Manual
11	43029	2	Shoulder Bolt				
12	23826	4	Angle Bracket				

\* Purchase Common Hardware Locally

# Get it fixed, at your home or ours!

## Your Home

For expert troubleshooting and home solutions advice:

**manage my home**

[www.managemyhome.com](http://www.managemyhome.com)

For repair – **in your home** – of **all** major brand appliances, lawn and garden equipment, or heating and cooling systems, **no matter who made it, no matter who sold it!**

For the replacement parts, accessories and owner's manuals that you need to do-it-yourself.

For Sears professional installation of home appliances and items like garage door openers and water heaters.

**1-800-4-MY-HOME®** (1-800-469-4663)

Call anytime, day or night (U.S.A. and Canada)

[www.sears.com](http://www.sears.com)    [www.sears.ca](http://www.sears.ca)

## Our Home

For repair of carry-in items like vacuums, lawn equipment, and electronics, call anytime for the location of your nearest

**Sears Parts & Repair Service Center**

**1-800-488-1222** (U.S.A.)

[www.sears.com](http://www.sears.com)

**1-800-469-4663** (Canada)

[www.sears.ca](http://www.sears.ca)

To purchase a protection agreement on a product serviced by Sears:

**1-800-827-6655** (U.S.A.)

**1-800-361-6665** (Canada)

Para pedir servicio de reparación a domicilio, y para ordenar piezas:

**1-888-SU-HOGAR®**

(1-888-784-6427)

Au Canada pour service en français:

**1-800-LE-FOYER<sup>MC</sup>**

(1-800-533-6937)

[www.sears.ca](http://www.sears.ca)

**Sears**

© Registered Trademark / <sup>TM</sup> Trademark / <sup>SM</sup> Service Mark of Sears Brands, LLC

© Marca Registrada / <sup>TM</sup> Marca de Fábrica / <sup>SM</sup> Marca de Servicio de Sears Brands, LLC

<sup>MC</sup> Marque de commerce / <sup>MD</sup> Marque déposée de Sears Brands, LLC

© Sears Brands, LLC