



Radiant Downdraft Cooktop

Safety Instructions2-5

Operating Instructions

Bridge Burner8
Cooktop Vent System8
Cookware Tips9
Dual Surface Unit8
Features of Your Cooktop6
Surface Units7, 8
Temperature Limiter8

Care and Cleaning

Control Knobs10
Glass Cooktop11, 12
Vent Filter and Chamber10
Vent System10

Installation Instructions

Ductwork17-20, 24
Electrical Connections24-26
Exhaust Blower Ratings19
Final Assembly27
Installing the Cooktop22-24
Installing the Gasket21
Preparation15-17
Safety Precautions13
Unpacking the Cooktop14, 21

Troubleshooting Tips28

Consumer Support

Consumer Support32
Product Registration29, 30
Warranty31

**Owner's Manual &
Installation Instructions**

PP989

Write the model and serial numbers here:

Model # _____

Serial # _____

Find these numbers on a label under the cooktop, on the side of the vent chamber.

IMPORTANT SAFETY INFORMATION. READ ALL INSTRUCTIONS BEFORE USING.



SAFETY PRECAUTIONS

⚠ WARNING – TO REDUCE THE RISK OF FIRE, ELECTRIC SHOCK OR INJURY TO PERSONS, OBSERVE THE FOLLOWING:

- A. Use this unit only in the manner intended by the manufacturer. If you have questions, contact the manufacturer.
- B. Before servicing or cleaning unit, switch power off at service panel and lock the service disconnecting means to prevent power from being switched on accidentally. When the service disconnecting means cannot be locked, securely fasten a prominent warning device, such as a tag, to the service panel.
- C. Do not use this unit with any solid-state speed control device.
- D. This unit must be grounded.

⚠ CAUTION – *For general ventilating use only. Do not use to exhaust hazardous or explosive materials and vapors.*

⚠ WARNING – TO REDUCE THE RISK OF INJURY TO PERSONS IN THE EVENT OF A COOKTOP GREASE FIRE, OBSERVE THE FOLLOWING*:

- A. SMOTHER FLAMES with a close-fitting lid, cookie sheet or metal tray, then turn off the burner. BE CAREFUL TO PREVENT BURNS. If the flames do not go out immediately, EVACUATE AND CALL THE FIRE DEPARTMENT.
- B. NEVER PICK UP A FLAMING PAN— You may be burned.
- C. DO NOT USE WATER, including wet dishcloths or towels—a violent steam explosion will result.
- D. Use an extinguisher ONLY if:
 1. You know you have a Class ABC extinguisher, and you already know how to operate it.
 2. The fire is small and contained in the area where it started.
 3. The fire department is being called.
 4. You can fight the fire with your back to an exit.

* Based on "Kitchen Firesafety Tips" published by NFPA.

⚠ WARNING – TO REDUCE THE RISK OF A COOKTOP GREASE FIRE:

- A. Never leave surface units unattended at high settings. Boilovers cause smoking and greasy spillovers that may ignite. Heat oils slowly on low or medium settings.
- B. Always turn hood ON when cooking on high heat or when flambeing food (i.e. Crepes Suzette, Cherries Jubilee, Peppercorn Beef Flambé).
- C. Clean ventilating fans frequently. Grease should not be allowed to accumulate on fan or filter.
- D. Use proper pan size. Always use cookware appropriate for the size of the surface element.

⚠ WARNING – TO REDUCE THE RISK OF FIRE, ELECTRIC SHOCK OR INJURY TO PERSONS, OBSERVE THE FOLLOWING:

- A. Installation work and electrical wiring must be done by qualified person(s) in accordance with all applicable codes and standards, including fire-rated construction.
- B. Sufficient air is needed for proper combustion and exhausting of gases through the flue (chimney) of fuel burning equipment to prevent back drafting. Follow the heating equipment manufacturer's guideline and safety standards such as those published by the National Fire Protection Association (NFPA), and the American Society for Heating, Refrigeration and Air Conditioning Engineers (ASHRAE), and the local code authorities.
- C. When cutting or drilling into wall or ceiling, do not damage electrical wiring and other hidden utilities.
- D. Ducted fans must always be vented to the outdoors.

⚠ WARNING – TO REDUCE THE RISK OF FIRE, USE ONLY METAL DUCTWORK.

- Do not attempt to repair or replace any part of your downdraft cooktop unless it is specifically recommended in this manual. All other servicing should be referred to a qualified technician.

⚠️ WARNING!

For your safety, the information in this manual must be followed to minimize the risk of fire or explosion, electric shock, or to prevent property damage, personal injury, or loss of life.



SAFETY PRECAUTIONS

When using electrical appliances, basic safety precautions should be followed, including the following:

- Be sure your appliance is properly installed and grounded by a qualified technician in accordance with local codes and the provided installation instructions.
 - Have the installer show you the location of the circuit breaker or fuse. Mark it for easy reference.
 - Do not leave children alone—children should not be left alone or unattended in an area where an appliance is in use. They should never be allowed to sit or stand on any part of the appliance.
 - Teach children not to play with the controls or any other part of the cooktop.
 - Do not allow anyone to climb, stand or hang on the cooktop.
 - **⚠️ CAUTION:** Items of interest to children should not be stored in cabinets above a cooktop—children climbing on the cooktop to reach items could be seriously injured.
 - Always keep combustible wall coverings, curtains or drapes a safe distance from your cooktop.
 - Always keep dish towels, dishcloths, pot holders and other linens a safe distance away from your cooktop.
 - Always keep wooden and plastic utensils and canned food a safe distance away from your cooktop.
 - Never wear loose-fitting or hanging garments while using the appliance. Flammable material could be ignited if brought in contact with hot surface units and may cause severe burns.
 - Use only dry pot holders—moist or damp pot holders on hot surfaces may result in burns from steam. Do not let pot holders touch hot surface units. Do not use a towel or other bulky cloth. Such cloths can catch fire on a hot surface unit.
 - For your safety, never use your appliance for warming or heating the room.
 - Do not use water on grease fires. Never pick up a flaming pan. Turn the controls off. Smother a flaming pan on a surface unit by covering the pan completely with well-fitting lid, cookie sheet or flat tray. Use a multi-purpose dry chemical or foam-type extinguisher.
- Flaming grease outside a pan can be put out by covering with baking soda or, if available, by using a multi-purpose dry chemical or foam-type fire extinguisher.



COOK MEAT AND POULTRY THOROUGHLY..

Cook meat and poultry thoroughly—meat to at least an INTERNAL temperature of 160°F and poultry to at least an INTERNAL temperature of 180°F. Cooking to these temperatures usually protects against foodborne illness.

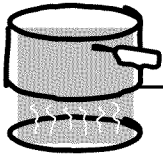
IMPORTANT SAFETY INFORMATION. READ ALL INSTRUCTIONS BEFORE USING.



WARNING! SAFETY PRECAUTIONS

- Do not let cooking grease or other flammable materials accumulate on the cooktop.
- Do not touch surface units. These surfaces may be hot enough to burn even though they are dark in color. During and after use, do not touch, or let clothing or other flammable materials contact the surface units or areas nearby the surface units; allow sufficient time for cooling first.

Potentially hot surfaces include the cooktop and areas facing the cooktop.
- To minimize the possibility of burns, ignition of flammable materials and spillage, the handle of a container should be turned toward the center of the cooktop without extending over any nearby surface units.
- Always turn the surface unit control to off before removing the cookware.
- Use proper pan size—Select cookware having flat bottoms large enough to cover the surface unit heating element. The use of undersized cookware will expose a portion of the surface unit to direct contact and may result in ignition of clothing. Proper relationship of cookware to burner will also improve efficiency.
- Never leave surface units unattended at high heat settings. Boilovers cause smoking and greasy spillovers that may catch on fire.
- Only certain types of glass, glass/ceramic, earthenware or other glazed containers are suitable for cooktop cooking; others may break because of the sudden change in temperature.
- Keep an eye on foods being fried at high or medium high heat settings.
- Foods for frying should be as dry as possible. Frost on frozen foods or moisture on fresh foods can cause hot fat to bubble up and over the sides of the pan.
- Use little fat for effective shallow or deep-fat frying. Filling the pan too full of fat can cause spillovers when food is added.
- If a combination of oils or fats will be used in frying, stir together before heating, or as fats melt slowly.
- Always heat fat slowly and watch as it heats.
- Use a deep fat thermometer whenever possible to prevent overheating fat beyond the smoking point.
- Never try to move a pan of hot fat, especially a deep fat fryer. Wait until the fat is cool.
- Do not store flammable materials near the cooktop.
- Keep the vent grille and grease filters clean to maintain good venting and to avoid grease fires.
- Do not store or use combustible materials, gasoline or other flammable vapors and liquids in the vicinity of this or any appliance.
- Clean only parts listed in this Owner's Manual.
- Do not leave paper products, cooking utensils or food on the cooktop when not in use.
- Keep cooktop clean and free of accumulation of grease or spillovers which may ignite.
- Never heat unopened food containers. Pressure buildup may make container burst and cause injury.
- Never leave jars or cans of fat drippings on or near your cooktop.



RADIANT SURFACE UNITS

Use care when touching the cooktop. The glass surface of the cooktop will retain heat after the controls have been turned off.

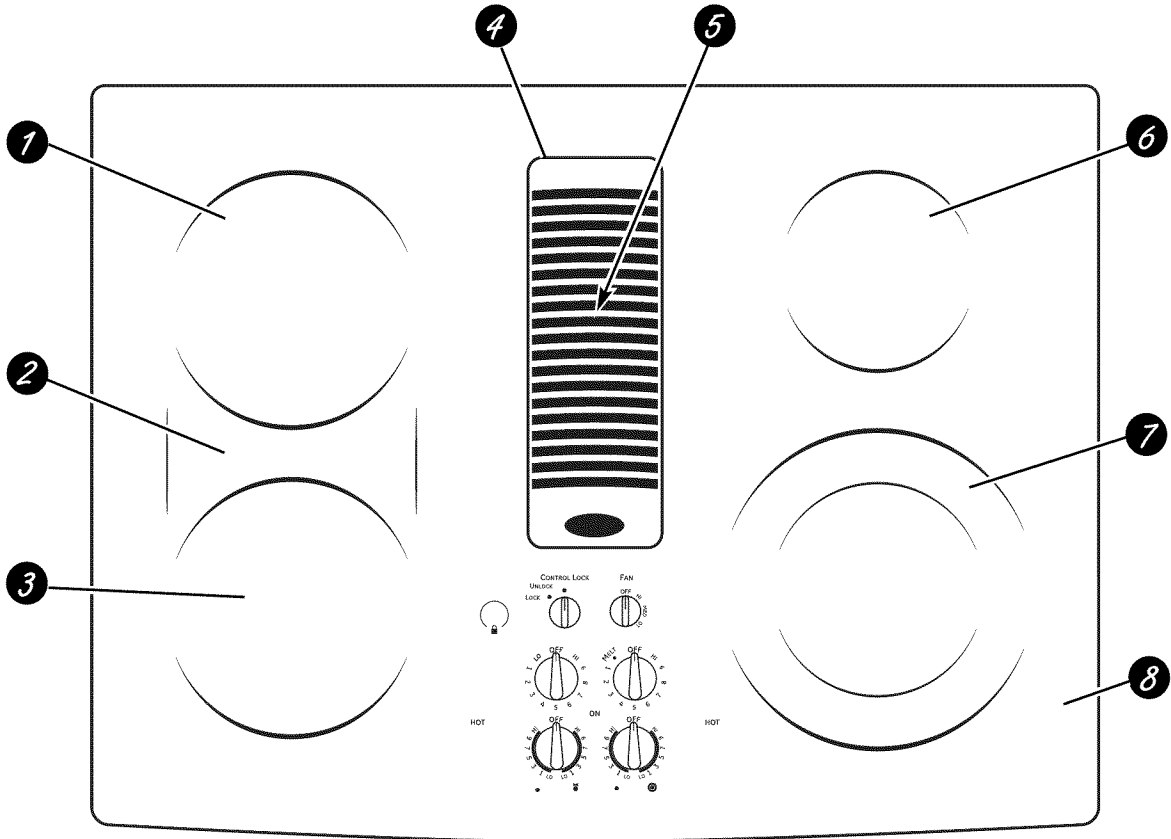
- Avoid scratching the glass cooktop. The cooktop can be scratched with items such as sharp instruments, rings or other jewelry and rivets on clothing.
 - Large scratches or impacts to glass cooktops can lead to broken or shattered glass.
 - Never use the glass cooktop surface as a cutting board.
 - Do not place or store items on top of the glass cooktop surface when it is not in use.
 - Be careful when placing spoons or other stirring utensils on glass cooktop surface when it is in use. They may become hot and could cause burns.
 - Avoid heating an empty pan. Doing so may damage the cooktop and the pan.
 - Do not allow water, other liquids or grease to remain on the cooktop.
 - To minimize the possibility of burns, always be certain that the controls for all surface units are at the off position and the entire glass surface is cool before attempting to clean the cooktop.
 - Do not operate the glass surface units if the glass is broken. Spillovers or cleaning solution may penetrate a broken cooktop and create a risk of electrical shock. Contact a qualified technician immediately should your glass cooktop become broken.
 - Clean the cooktop with caution. If a wet sponge or cloth is used to wipe spills on a hot surface unit, be careful to avoid steam burns. Some cleansers can produce noxious fumes if applied to a hot surface.
- NOTE:** We recommend that you avoid wiping any surface unit areas until they have cooled and the indicator light has gone off. **Sugar spills are the exception to this.** Please see *Cleaning the Glass Cooktop* in the *Care and Cleaning* section.
- When the cooktop is cool, use only CERAMA BRYTE® Ceramic Cooktop Cleaner and the CERAMA BRYTE® Cleaning Pad to clean the cooktop.
 - To avoid possible damage to the cooking surface, do not apply the cleaning cream to the glass surface when it is hot.
 - After cleaning, use a dry cloth or paper towel to remove all the cleaning cream residue.
 - Read and follow all instructions and warnings on the cleaning cream labels.
 - Use care when touching the cooktop. The glass surface of the cooktop will retain heat after the controls have been turned OFF.
 - Do not stand on the glass cooktop.



**READ AND FOLLOW THIS SAFETY INFORMATION CAREFULLY.
SAVE THESE INSTRUCTIONS**

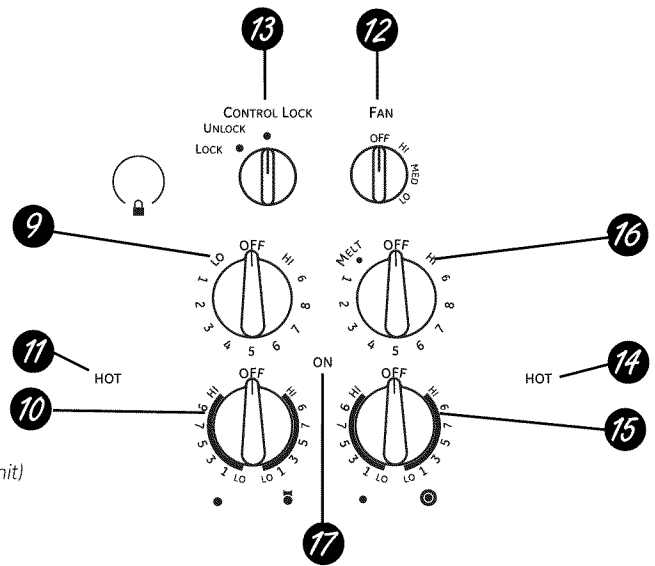
Features of Your Cooktop.

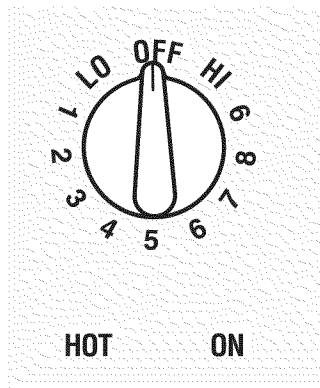
Throughout this manual, features and appearance may vary from your model.



Feature Index (Features and appearance may vary)

- 1 Left Rear Surface Unit
- 2 Bridge Surface Unit
- 3 Left Front Surface Unit
- 4 Vent Grille
- 5 Vent Filter (below the vent grille)
- 6 Right Rear Surface Unit
- 7 Dual Surface Unit
- 8 Model and Serial Number Label (under the cooktop, on the right side of the vent chamber)
- 9 Left Rear Surface Unit Control
- 10 Left Front Surface Unit Control
- 11 Left Side Hot Surface Indicator Lights (one for each surface unit)
- 12 Vent Fan Speed Control
- 13 Control Lock Knob
- 14 Right Side Hot Surface Indicator Lights (one for each surface unit)
- 15 Dual Surface Unit Control
- 16 Right Rear Surface Unit Control
- 17 Surface Unit On Indicator Light





Radiant Surface Units

The control for the radiant surface unit can be set anywhere between **LO** and **HI** for an unlimited number of heat settings. With the infinite switch the coil cycles on and off to maintain your selected control setting.

To bring liquids to a boil faster, use a lid to cover the pan.

The control knob must be pushed down and turned from the **OFF** position. When the control knobs are in any position other than off, they may be turned without pushing down.

Be sure you turn the control knob off when you finish cooking. You will feel a **click** at the **OFF** position.

The surface unit **ON** indicator light will glow when **any** surface unit is on.

NOTE: The surface unit **ON** indicator light may glow between the surface control settings of **LO** and **OFF**, but there is no power to the surface units.

Cooktop temperatures increase with the number of surface units that are on. With 3 or 4 units turned on, surface temperatures are high so be careful when touching the cooktop.

The **HOT SURFACE** indicator lights will glow when any radiant element is turned on, and will remain on until the surface is cooled to approximately 150°F.

NOTE:

- Hot Surface Indicator Lights come on instantly and stay on even after the surface unit is turned off.
- They glow brightly until the unit is cooled to approximately 150°F.
- Be sure to turn the control knob off when you finish cooking.

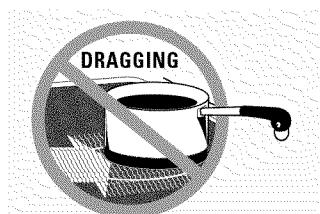
Be sure you turn the control knob to **OFF** when you finish cooking.



Never cook directly on the glass. Always use cookware.



Always place the pan in the center of the surface unit you are cooking on.



Do not slide cookware across the cooktop because it can scratch the glass. The glass is scratch-resistant, not scratchproof.

About the radiant surface units...

The radiant cooktop features heating units beneath a smooth glass surface.

NOTE: A slight odor is normal when a new cooktop is used for the first time. It is caused by the heating of new parts and insulating materials and will disappear in a short time.

NOTE: On models with light colored glass cooktops, it is normal for the cooking zones to change color when hot or cooling down. This is temporary and will disappear as the glass cools to room temperature.

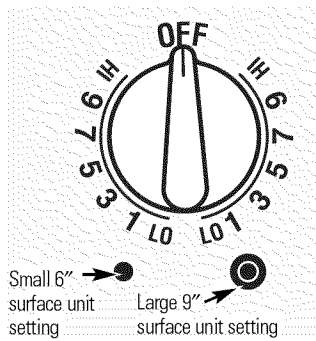
The surface unit will cycle on and off to maintain your selected control setting.

It is safe to place hot cookware from the oven or surface on the glass surface when the surface is cool.

Even after the surface units are turned off, the glass cooktop retains enough heat to continue cooking. To avoid overcooking, remove pans from the surface units when the food is cooked. Avoid placing anything on the surface unit until it has cooled completely.


- Water stains (mineral deposits) are removable using the cleaning cream or full strength white vinegar.
- Use of window cleaner may leave an iridescent film on the cooktop. The cleaning cream will remove this discoloration.
- Don't store heavy items above the cooktop. If they drop onto the cooktop, they can cause damage.
- Do not use the surface as a cutting board.


Using the surface units.

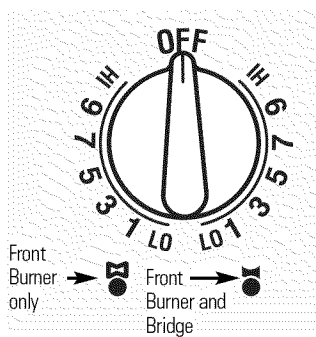


Dual Surface Unit

The right front surface unit has 2 cooking sizes to select from so you can match the size of the unit to the size of the cookware you are using.


To use the large (9-inch) surface unit, turn the knob clockwise to  and select the desired setting. The unit will heat the entire area contained by the larger circle.

To use the small (6-inch) surface unit, turn the knob counterclockwise to  and select the desired setting. The unit will only heat the area inside the smaller circle.




Bridge Surface Unit

Make sure the pan rests flat on the glass cooktop and it is not resting on the trim. If you notice poor cooking performance, move the pan to make sure it is flat on the cooktop.

To use the bridge burner, turn the burner knob to  and select the desired setting. The unit will heat the front surface burner and the bridge.

Choose pans that match the circle/bridge area as closely as possible.

To use only the front surface unit, turn the burner knob to  and select the desired setting. The unit will only heat the front surface burner.





You can create an oblong heated area by using the left rear unit in addition to the front unit bridge combination.

Surface Elements Cycle On and Off

Surface elements will cycle on and off to maintain the temperature you have selected.

All radiant surface elements have a temperature limiter that protects the glass cooktop from getting too hot.

The temperature limiter may cycle the elements off while cooking if:






-  The pan boils dry
-  The pan bottom is not flat.
-  The pan is off-center.
-  There is no pan on the element.

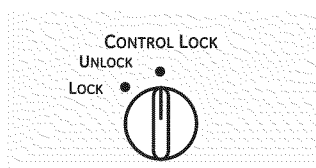
Temperature Limiter

Every radiant surface unit has a temperature limiter.

The temperature limiter protects the glass cooktop from getting too hot.

The temperature limiter may cycle the units off for a time if:

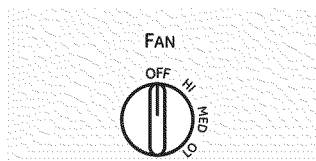
-  The cooktop is on while cooking.
-  The pan boils dry.
-  The pan bottom is not flat.
-  The pan is off-center.
-  There is no pan on the unit.



Control Lock-Out for Surface Units

To activate control lock-out, turn the Control Lock knob to LOCK. This will prevent surface units from heating. An indicator light will glow to show that they are locked. The downdraft fan will remain operable with control lockout engaged.

In the locked position, the cooktop will produce an audible sound if any surface unit control knob is engaged or moved to a position other than OFF.



How to Operate the Vent System

The built-in vent system helps remove cooking vapors, odors and smoke from foods prepared on the cooktop.

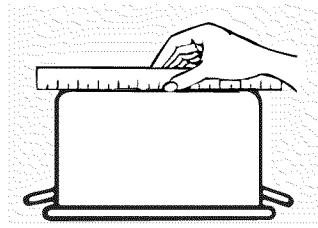
To operate the downdraft vent system, turn the vent fan speed control knob to **HI**, **MED** or **LO**, as needed.

Continuous use of the vent system while cooking helps keep the kitchen comfortable and less humid, reducing cooking odors and soiling moisture that normally creates a frequent need for cleaning.

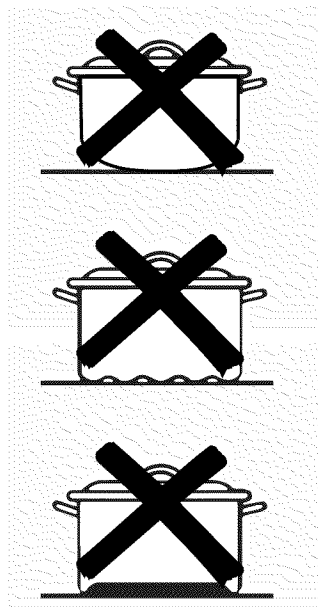
Selecting types of cookware.

ge.com

The following information will help you choose cookware which will give good performance on glass cooktops. Use a pan that matches the diameter of the surface element you are using. Cooking performance will not be as good if the cookware itself is smaller or larger than the surface unit.



Check pans for flat bottoms by using a straight edge.



Pans with rounded, curved, ridged or warped bottoms are not recommended.

Stainless Steel:

recommended

Aluminum:

heavy weight recommended

Good conductivity. Aluminum residues sometimes appear as scratches on the cooktop, but can be removed if cleaned immediately. Because of its low melting point, thin weight aluminum should not be used.

Copper Bottom:

recommended

Copper may leave residues which can appear as scratches. The residues can be removed, as long as the cooktop is cleaned immediately. However, do not let these pots boil dry. Overheated metal can bond to glass cooktops. An overheated copper bottom pot will leave a residue that will permanently stain the cooktop if not removed immediately.

Porcelain Enamel Covered

Cast Iron:

recommended

As long as the cookware is covered completely with porcelain enamel, this cookware is recommended. Caution is recommended for cast iron cookware that is not completely covered with smooth porcelain enamel, since it may scratch the glass-ceramic cooktop.

Glass-Ceramic:

usable, but not recommended

Poor performance. May scratch the surface.

Stoneware:

usable, but not recommended

Poor performance. May scratch the surface.

For Best Results

- Place only dry pans on the surface elements. Do not place lids on the surface elements, particularly wet lids.



Do not place wet pans on the glass cooktop.

Care and cleaning of the cooktop.

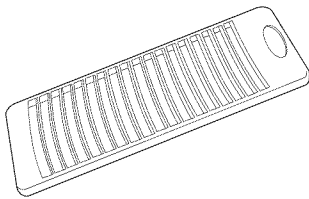
Be sure electrical power is off and all surfaces are cool before cleaning any part of the cooktop.

How to Remove Protective Shipping Film and Packaging Tape

Carefully grasp a corner of the protective shipping film with your fingers and slowly peel it from the appliance surface. Do not use any sharp items to remove the film. Remove all of the film before using the appliance for the first time.

To assure no damage is done to the finish of the product, the safest way to remove the adhesive from packaging tape on new appliances is an application of a household liquid dishwashing detergent. Apply with a soft cloth and allow to soak.

NOTE: The adhesive must be removed from all parts. It cannot be removed if it is baked on.



Vent Grille

Before cleaning the vent grille, be sure the exhaust blower is turned off.

To clean the vent grille, remove it from the cooktop by lifting it up and off. Wipe with a damp cloth. If necessary, the vent grille can be washed in the sink.

Use dishwashing liquid for cleaning.

Do not use abrasive cleaners. They will damage the vent grille's finish.

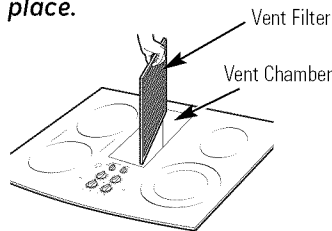
Do not clean the vent grille in the dishwasher.

Vent Filter and Chamber

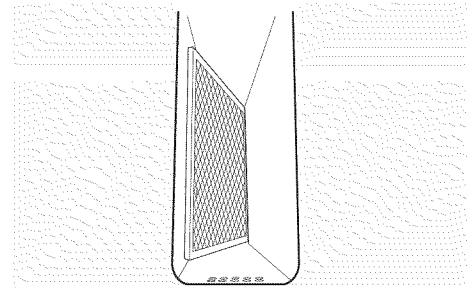
The filter is held in place at an angle with a hold bump. Lift the filter up and out of the vent opening diagonally.

To clean the filter, swish it in hot, soapy water. Rinse well and dry thoroughly.

Do not operate the vent without the filter in place.



Do not operate the vent without the filter in place.



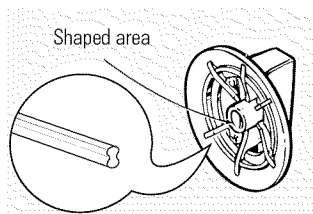
Remove and replace the filter diagonally through the vent opening.

To order filters please call our toll-free number:

National Parts Center.....800.626.2002
Filter.....# WB02X10651

When replacing the filter, make sure it rests, at an angle, on the supports in the vent opening.

To clean the vent chamber, use hot, soapy water. Rinse with clean water and dry thoroughly. Do not use abrasive cleaners; they will damage the finish. Replace the filter after it is cleaned and dry.



Control Knobs

The control knobs may be removed for easier cleaning.

Make sure the knobs are in the **OFF** positions and pull them straight off the stems for cleaning.

To clean the knobs, place them in a dishwasher or wash with soap and water. Rinse with clean water. Make sure the insides of knobs are dry before replacing.

Replace the knobs in the **OFF** position to ensure proper placement.

Stainless Steel Surfaces (on some models)

Do not use a steel wool pad; it will scratch the surface.

To clean the stainless steel surface, use warm sudsy water or a stainless steel cleaner or polish. Always wipe the surface in the direction of the grain. Follow the cleaner instructions for cleaning the stainless steel surface.

To inquire about purchasing stainless steel appliance cleaner or polish, or to find the location of a dealer nearest you, please call our toll-free number:

National Parts Center 1.800.626.2002
ge.com

Cleaning the glass cooktop.

ge.com



Clean your cooktop after each spill. Use CERAMA BRYTE® Ceramic Cooktop Cleaner.

Normal Daily Use Cleaning

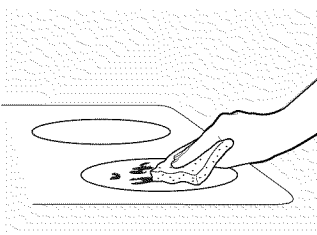
ONLY use CERAMA BRYTE® Ceramic Cooktop Cleaner on the glass cooktop. Other creams may not be as effective.

To maintain and protect the surface of your glass cooktop, follow these steps:

- 1 Before using the cooktop for the first time, clean it with CERAMA BRYTE® Ceramic Cooktop Cleaner. This helps protect the top and makes clean-up easier.
- 2 Daily use of CERAMA BRYTE® Ceramic Cooktop Cleaner will help keep the cooktop looking new.

- 3 Shake the cleaning cream well. Apply a few drops of CERAMA BRYTE® Ceramic Cooktop Cleaner directly to the cooktop.
- 4 Use a paper towel or CERAMA BRYTE® Cleaning Pad for Ceramic Cooktops to clean the entire cooktop surface.
- 5 Use a dry cloth or paper towel to remove all cleaning residue. No need to rinse.

NOTE: It is very important that you **DO NOT** heat the cooktop until it has been cleaned thoroughly.



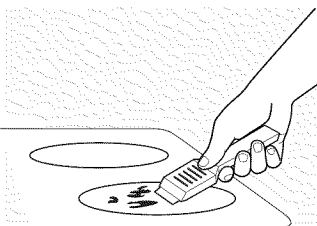
Use a CERAMA BRYTE® Cleaning Pad for Ceramic Cooktops or a Scotch-Brite® Multi-Purpose No Scratch blue scrub pad.

Burned-On Residue

⚠ WARNING: DAMAGE to your glass surface may occur if you use scrub pads other than the pad included with your cooktop.

- 1 Allow the cooktop to cool.
- 2 Spread a few drops of CERAMA BRYTE® Ceramic Cooktop Cleaner to the entire burned residue area.
- 3 Using the included CERAMA BRYTE® Cleaning Pad for Ceramic Cooktops, rub the residue area, applying pressure as needed.

- 4 If any residue remains, repeat the steps listed above as needed.
- 5 For additional protection, after all residue has been removed, polish the entire surface with CERAMA BRYTE® Ceramic Cooktop Cleaner and a paper towel.



The CERAMA BRYTE® Ceramic Cooktop Scraper and all recommended supplies are available through our Parts Center. See instructions under "To Order Parts" section on next page.

NOTE: Do not use a dull or nicked blade.

Heavy, Burned-On Residue

- 1 Allow the cooktop to cool.
- 2 Use a single-edge razor blade scraper at approximately a 45° angle against the glass surface and scrape the soil. It will be necessary to apply pressure to the razor scraper in order to remove the residue.

- 3 After scraping with the razor scraper, spread a few drops of CERAMA BRYTE® Ceramic Cooktop Cleaner to the entire burned residue area. Use the CERAMA BRYTE® Cleaning Pad to remove any remaining residue.
- 4 For additional protection, after all residue has been removed, polish the entire surface with CERAMA BRYTE® Ceramic Cooktop Cleaner and a paper towel.

Safety Instructions

Operating Instructions

Care and Cleaning

Troubleshooting Tips

Consumer Support

Cleaning the glass cooktop.

Metal Marks and Scratches

- 1 Be careful not to slide pots and pans across your cooktop. It will leave metal markings on the cooktop surface.
These marks are removable using the CERAMA BRYTE® Ceramic Cooktop Cleaner with the CERAMA BRYTE® Cleaning Pad for Ceramic Cooktops.
- 2 If pots with a thin overlay of aluminum or copper are allowed to boil dry, the overlay may leave black discoloration on the cooktop.
This should be removed immediately before heating again or the discoloration may be permanent.

! WARNING: Carefully check the bottom of pans for roughness that would scratch the cooktop.

Glass surface—potential for permanent damage.

Our testing shows that if you are cooking high sugar mixtures such as jelly or fudge and have a spillover, it can cause permanent damage to the glass surface unless the spillover is immediately removed.

Damage from Sugary Spills and Melted Plastic

- 1 Turn off all surface units. Remove hot pans.
- 2 Wearing an oven mitt:
 - a. Use a single-edge razor blade scraper (CERAMA BRYTE® Ceramic Cooktop Scraper) to move the spill to a cool area on the cooktop.
 - b. Remove the spill with paper towels.
- 3 Any remaining spillover should be left until the surface of the cooktop has cooled.
- 4 Don't use the surface units again until all of the residue has been completely removed.

NOTE: If pitting or indentation in the glass surface has already occurred, the cooktop glass will have to be replaced. In this case, service will be necessary.

To Order Parts

To order CERAMA BRYTE® Ceramic Cooktop Cleaner and the cooktop scraper, please call our toll-free number:

National Parts Center 800.626.2002

**CERAMA BRYTE®
Ceramic Cooktop Cleaner** ..# WX10X300

**CERAMA BRYTE®
Ceramic Cooktop Scraper** ..# WX10X0302

Kit# WB64X5027
(Kit includes cream and razor scraper)

**CERAMA BRYTE® Cleaning Pads for
Ceramic Cooktops**#WX10X350

Installation Instructions

Radiant Downdraft Cooktop

If you have questions, call 800.GE.CARES (800.432.2737) or visit our Website at: ge.com

BEFORE YOU BEGIN

Read these instructions completely and carefully.

- **IMPORTANT** – Save these instructions for local inspector's use.
- **IMPORTANT** – Observe all governing codes and ordinances.
- **Note to Installer** – Be sure to leave these instructions with the Consumer.
- **Note to Consumer** – Keep these instructions for future reference.
- Unless very knowledgeable in the installation of this product, engage a professional installer.
- Proper installation is the responsibility of the installer.
- Product failure due to improper installation is not covered under the Warranty.

⚠ WARNING – Before beginning the installation, switch power off at the service panel and lock the service disconnecting means to prevent power from being switched on accidentally. When the service disconnecting means cannot be locked, securely fasten a prominent warning device, such as a tag, to the service panel.

IMPORTANT SAFETY INSTRUCTIONS

⚠ WARNING – TO REDUCE THE RISK OF FIRE, ELECTRIC SHOCK OR INJURY TO PERSONS, OBSERVE THE FOLLOWING:

- A** Installation work and electrical wiring must be done by qualified person(s) in accordance with all applicable codes and standards, including fire-rated construction.
 - B** Sufficient air is needed for proper combustion and exhausting of gases through the flue (chimney) of fuel burning equipment to prevent back drafting. Follow the heating equipment manufacturer's guidelines and safety standards such as those published by the National Fire Protection Association (NFPA), and the American Society for Heating, Refrigeration and Air Conditioning Engineers (ASHRAE), and the local code authorities.
 - C** When cutting or drilling into wall or ceiling, do not damage electrical wiring and other hidden utilities.
 - D** Ducted fans must always be vented to the outdoors.
- This unit must be properly grounded.

⚠ WARNING – TO REDUCE THE RISK OF FIRE, USE ONLY METAL DUCTWORK.

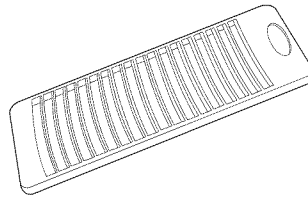
Installation Instructions

UNPACKING YOUR COOKTOP

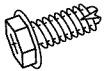
PARTS INCLUDED (PACKED BELOW THE COOKTOP)

- Blower assembly
- Blower plenum
- (4) Nuts (10-32 keps – nuts with lock washers attached)
- (9) Sheet metal screws (8-18 x 3/8")
- Foam gasket tape (9 ft. roll)
- Vent grille
- Vent filter
- Cleaning cream
- Scrub sponge or scraper (on some models)

Check to be sure that all packing materials and tape have been removed. This will include tape on control knobs (if applicable), adhesive tape, wire ties, cardboard and protective plastic. Failure to remove these materials could result in damage to the appliance once the appliance has been turned on and surfaces have heated.



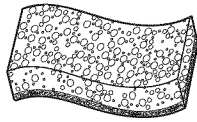
Vent Grille



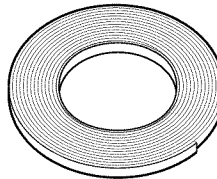
Sheet Metal Screws
(9) (8-18 x 3/8")



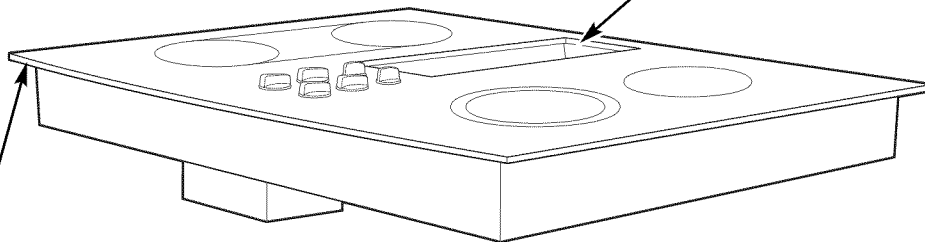
Cleaning Cream



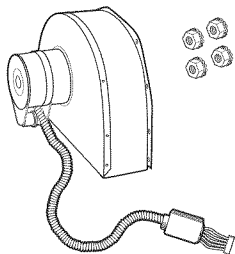
Scrub Sponge



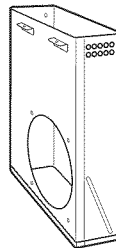
Foam Gasket Tape



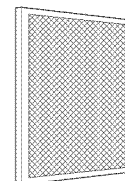
**CAUTION: GLASS IS FRAGILE
DO NOT BUMP EDGE OF GLASS DURING
INSTALLATION**



Blower Assembly and (4) Mounting
Nuts (10-32 keps – nuts with lock
washers attached)



Blower
Plenum



Vent
Filter

Installation Instructions

PREPARATION

TOOLS AND MATERIALS YOU WILL NEED

- Saw
- Flat-blade screwdriver
- Electrician's pliers
- Duct tape
- Measuring tape or scale
- Carpenter's square
- 7/16" wrench or socket set
- Drill and drill bit
- Sheet metal screws
- Junction box*
- 3/4" flexible conduit*
- Electrical wire per local code*
- Wire nuts*
- Ductwork

***NOTE:** Electrical installation kit JXCK89 may be ordered separately and includes all the parts necessary to connect the cooktop to typical rough-in wiring.

ELECTRICAL REQUIREMENTS

This appliance must be supplied with the proper voltage and frequency, as listed in these Installation Instructions, and connected to an individual, properly grounded branch circuit, protected by a 40-amp circuit breaker or time delay fuses.

All wire connections must be made in accordance with local codes and properly insulated. Check with your local utility for governing electrical codes and ordinances. In the absence of local electrical codes, the National Electrical Code, ANSI/NFPA No. 70 – Latest Edition, governing electric range installations, must be followed.

A copy of the National Electrical Code can be obtained by writing to:

National Fire Protection Association
Batterymarch Park
Quincy, MA 02260

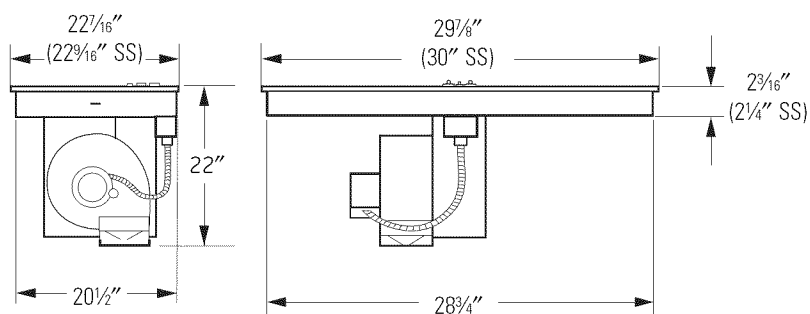
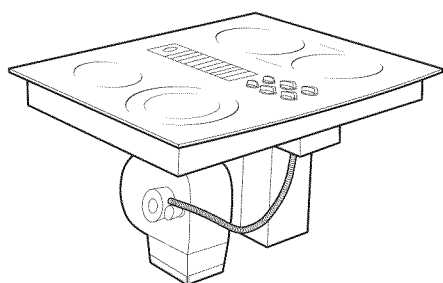
Effective January 1, 1996, the National Electrical Code requires that new, but not existing, construction utilize a four-conductor connection to an electric range. When installing an electric range in new construction, follow the instructions in NEW CONSTRUCTION AND FOUR-CONDUCTOR BRANCH CIRCUIT CONNECTION.

You must use a three-wire, single-phase AC 208Y/120 Volt or 240/120 Volt, 60 Hertz electrical system with separate ground. If you connect to aluminum wiring, properly installed connectors approved for use with aluminum wiring must be used.

⚠ CAUTION: FOR PERSONAL SAFETY, REMOVE HOUSE FUSE OR CIRCUIT BREAKER BEFORE BEGINNING INSTALLATION.

30" COOKTOP (DIMENSIONS FOR REFERENCE ONLY)

Unit shown fully assembled.



Unit must be vented to the outside!

Installation Instructions

CABINET PREPARATION

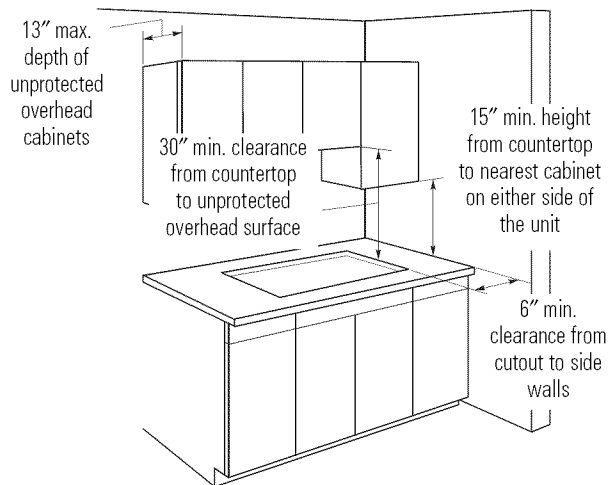
1 PREPARING FOR INSTALLATION

Positioning the cooktop

The cooktop is designed to look best when centered in a cabinet at least 30" wide.

The exhaust vent beneath the cooktop must be located between wall studs or floor joists so that the ductwork may be installed properly.

At least 6" must be allowed between side edges of the cooktop and adjacent walls.



Avoid placing cabinets above the cooktop unit, if possible, in order to reduce the hazards caused by reaching over heated surface units. If cabinets are placed over the cooktop, the risks can be reduced by installing a range hood that projects horizontally a minimum of 5 inches beyond the bottom of the cabinets.

If cabinetry is used above the cooktop, allow a minimum 30" clearance between the cooking surface and the bottom of any unprotected cabinet.

If the clearance between the cooktop and the cabinetry is less than 30", the cabinet bottom must be protected with flame retardant millboard at least 1/4" thick, covered with 28 gauge sheet steel or 0.020" thick copper. Clearance between the cooktop and the protected cabinetry **MUST NEVER BE LESS THAN 24."**

EXCEPTION: Installation of a listed microwave oven or cooking appliance over the cooktop shall conform to the installation instructions packed with that appliance.

A 15" minimum must be kept from the side edge of the cooktop to the bottom of any cabinet not directly above the cooktop. If the clearance is less than 15", adjacent cabinets should be at least 6" from the side edge of the cooktop.

2 PREPARING THE BASE CABINET

This cooktop is designed to fit easily into a variety of cabinets. However, some cabinets may require modifications.

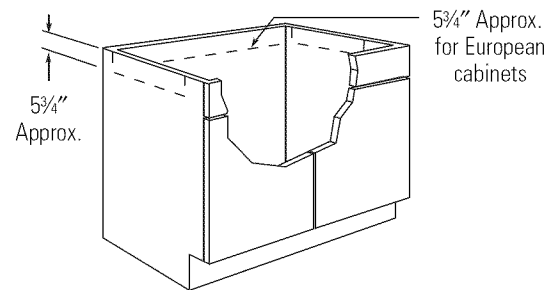
Preparing a cabinet that is against a wall

In some cabinets, the sides may need to be scooped or cut down 5 3/4" as shown, and the corner braces removed in order to accommodate the unit.

In 75 cm and 90 cm frameless European cabinets, the back panel may need to be cut down 5 3/4" to accommodate the unit.

Preparing a peninsula or island-type cabinet

In a peninsula or island-type cabinet, the sides may need to be scooped or cut down, and the corner braces removed in order to accommodate the unit.

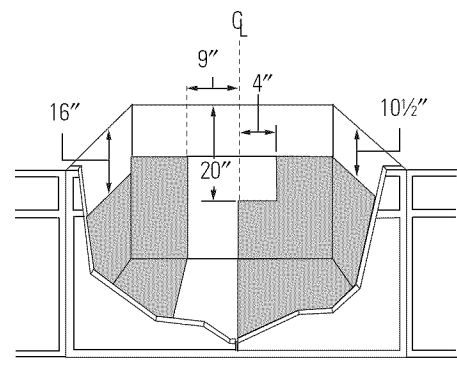


3 ROUGH PREPARATION OF JUNCTION BOX

IMPORTANT – FOR PERSONAL SAFETY, REMOVE HOUSE FUSE OR OPEN CIRCUIT BREAKER BEFORE PREPARING JUNCTION BOX.

Install an approved junction box within shaded area shown in diagram. Junction box must be at least 10 1/2" below top of cabinet.

Run conductors from residence wiring to junction box according to local electrical codes.

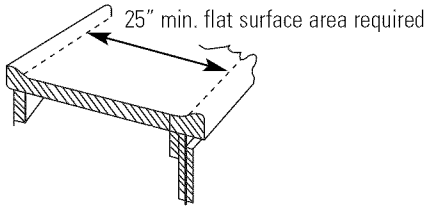


Installation Instructions

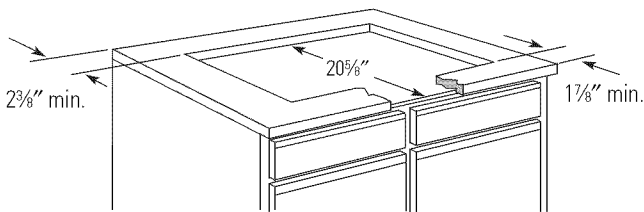
CABINET PREPARATION CUTOUTS

4 PREPARING THE COUNTERTOP

The countertop must have a deep flat surface to accommodate the cooktop and the vent. Countertops with a rolled front edge and backsplash may not provide the flat surface area required.

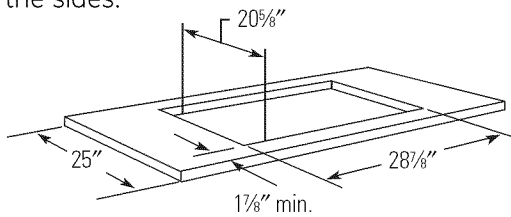


Clearance between inside front of cabinet and rear of countertop cutout must be $20\frac{5}{8}$ " in order to accommodate cooktop depth.



A $\frac{1}{2}$ " wide flat area is required around the edge of opening for support of the unit. The cooktop unit must be level and sit squarely into countertop opening.

Carefully cut countertop opening according to the dimensions shown in the illustration. Be sure that the opening is cut squarely, with sides parallel to each other and the rear exactly perpendicular to the sides.

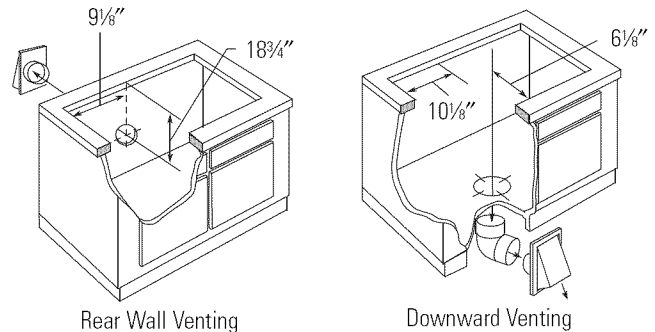


5 PREPARING FOR DUCTWORK

NOTE: Ductwork MUST be vented to outside. DO NOT vent into a wall, ceiling, crawlspace, attic or any concealed space.

Cut hole in cabinet wall or floor as appropriate for your installation. Make sure exhaust duct is located between wall studs or floor joists.

NOTE: When cutting or drilling into wall or ceiling, do not damage electrical wiring and other hidden utilities.

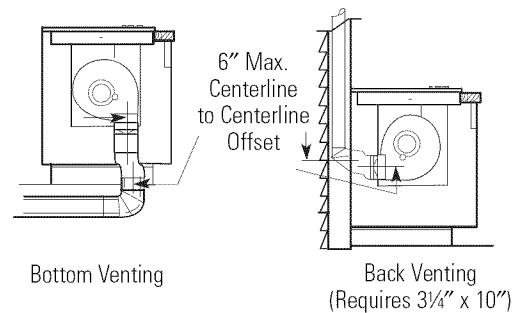


6 BLOWER TO DUCTWORK ALIGNMENT

In general, the use of flexible ducting is discouraged because it can cause severely restricted airflow. However, if the blower outlet and the floor or wall duct location do NOT align well, then flexible METAL ducting can be used to adapt to an offset. Good alignment without use of flexible ducting is best.

NOTE:

- Do not exceed the maximum recommended offset of 6".
- Do not allow the flexible ducting to kink or collapse.
- Do stretch the flexible ducting as much as possible to eliminate as much of the corrugation as possible.

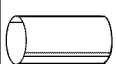
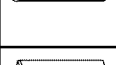
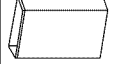

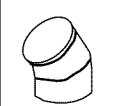
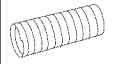
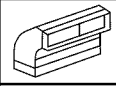
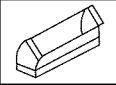
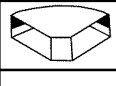
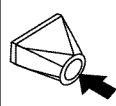


A $3\frac{1}{4}$ " x 10" rectangle to 6" round transition duct is available at your local building supply store.

NOTE: Illustrations are for planning purposes only.

Installation Instructions

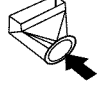

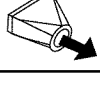

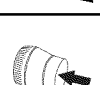
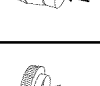
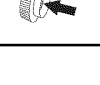
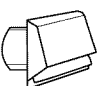

DUCTWORK CALCULATIONS

Calculate Total Equivalent Ductwork Length				
Duct Pieces		Equivalent Length* x	Number Used =	Equivalent Length
	5" round straight	2.7 ft.	x (ft.)† =	ft.
	6" round straight	1 ft.	x (ft.)† =	ft.
	3 1/4" x 10" straight	1 ft.	x (ft.)† =	ft.
	5", 90° elbow	37 ft.	x () =	ft.
	6", 90° elbow	12 ft.	x () =	ft.
	5", 45° elbow	18 ft.	x () =	ft.
	6", 45° elbow	7 ft.	x () =	ft.
	Flexible metal offset adapter	34 ft.	x () =	ft.
	3 1/4" x 10" 90° elbow	14 ft.	x () =	ft.
	3 1/4" x 10" 45° elbow	8 ft.	x () =	ft.
	3 1/4" x 10" 90° flat elbow	33 ft.	x () =	ft.
	5" round to 3 1/4" x 10" transition	3 ft.	x () =	ft.
	6" round to 3 1/4" x 10" transition	2 ft.	x () =	ft.
Subtotal Column 1 =				ft.

*Equivalent lengths of duct pieces are based on actual tests and reflect requirements for good venting performance with any downdraft cooktop.

†Measure and list feet of straight duct used. Count and list the quantity of all other duct pieces for the "Number Used" of each type.

IMPORTANT:
For maximum efficiency, use the shortest and straightest duct run possible, with as few fittings as possible. **For satisfactory performance, the duct run should not exceed 100 feet equivalent length.**
Venting performance is improved by using larger diameter duct.

Duct Pieces		Equivalent Length* x	Number Used =	Equivalent Length
	5" round to 3 1/4" x 10" transition 90° elbow	37 ft.	x () =	ft.
	6" round to 3 1/4" x 10" transition 90° elbow	4 ft.	x () =	ft.
	3 1/4" x 10" to 6" round transition	2 ft.	x () =	ft.
	3 1/4" x 10" to 6" round transition 90° elbow	4 ft.	x () =	ft.
	Tapered 5" round to 6" round transition	6 ft.	x () =	ft.
	5" round collar to 6" round transition	13 ft.	x () =	ft.
	5" round wall cap with damper	84 ft.	x () =	ft.
	6" round wall cap with damper	24 ft.	x () =	ft.
	3 1/4" x 10" wall cap with damper	24 ft.	x () =	ft.
	6" round roof cap	33 ft.	x () =	ft.
Subtotal Column 2 =				ft.
Subtotal Column 1 =				ft.
TOTAL DUCTWORK =				ft.

Should not exceed 100 feet.

If flexible metal ducting is used, all the equivalent feet values in the table should be doubled. The flexible metal duct should be straight and smooth and extended as much as possible.

DO NOT use flexible plastic ducting.
Vent installation should not exceed 100 feet equivalent length.
Blower is rated at **400 CFM** at 0.1 inch of water back pressure.

Installation Instructions

EXHAUST BLOWER RATINGS

EXHAUST BLOWER SAFETY WARNING

Sufficient air is needed for proper combustion and exhausting of gases through the flue (chimney) of other fuel burning equipment to prevent back drafting. Follow the heating equipment manufacturer's guidelines and safety standards such as those published by the National Fire Protection Association (NFPA), the American Society for Heating, Refrigeration and Air Conditioning Engineers (ASHRAE) and local code authorities.

NOTE: The exhaust blower output is approximately 400 CFM (cubic feet per minute) without ductwork. Each installation is different and ductwork affects blower output accordingly. Actual blower exhaust CFM can be approximated using the graph below.

Step 1: Calculate the "equivalent duct length" using the "DUCTWORK CALCULATIONS" table in these instructions for your installation.

Step 2: Find the approximate intersection point of the blower exhaust performance curve with the equivalent duct length to estimate the actual maximum blower output for your installation.

Examples: 50 equivalent feet of ductwork has approximately 320 CFM.
100 equivalent feet of ductwork has approximately 265 CFM.

Downdraft Cooktop Exhaust Blower CFM



Installation Instructions

DUCTWORK INSTALLATION

(Note: For planning purposes only.)

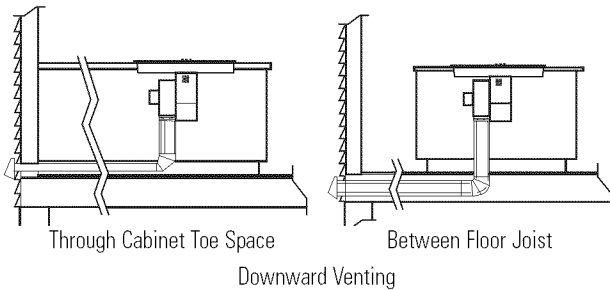
7 INSTALLING THE DUCTWORK

Use galvanized or aluminum duct in 6" round or 3¼" x 10" size, or a combination of both.

PVC duct should be used if installing under a poured concrete slab.

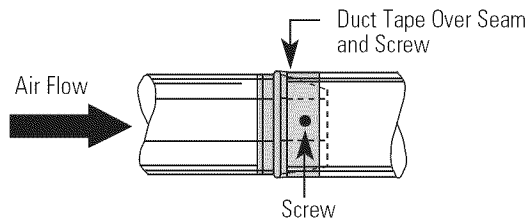
NOTE: Local building code must be followed in specifying approved type and schedule of ALL duct used.

Always use an appropriate roof or wall cap with damper. Laundry-type wall caps should NEVER be used.



Install ductwork, making male-female connections in the direction of airflow as shown. Secure all joints with sheet metal screws and duct tape to assure an airtight seal.

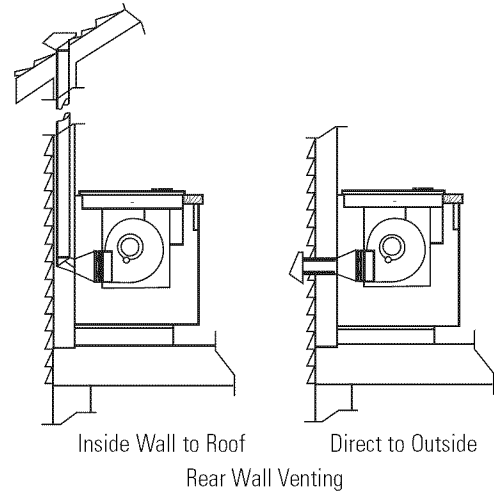
Use the shortest and straightest duct run possible.



For satisfactory performance, the duct run should not exceed 100 feet equivalent length. Refer to the "DUCTWORK CALCULATIONS" chart for equivalent lengths. Use this chart to calculate the total equivalent length of the ductwork.

OPTIONAL INSTALLATION: REAR WALL VENTING

5" round duct may be used on SHORT DUCT runs, but best results will be obtained using 3¼" x 10" or 6" round ducting.



To convert blower exhaust direction, remove four nuts behind the filter which hold blower and wire finger guard.

Rotate blower and reinstall to vent chamber, as shown above. Retighten nuts, but do not overtighten.

Installation Instructions

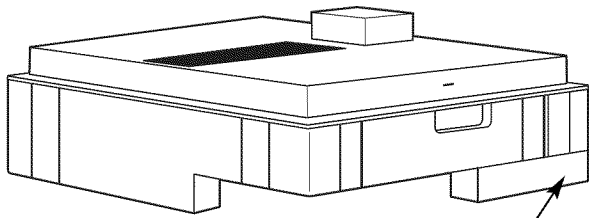
UNPACKING THE COOKTOP/INSTALLING THE GASKET

8 INSTALLING THE FOAM GASKET

Do not install the cooktop into the countertop without installing the foam gasket as shown.

It protects the bottom edge of the glass from the countertop and seals the cooktop against spills.

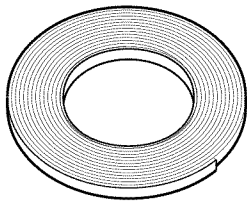
Remove the cooktop along with its shipping pad from the shipping box. Remove the shipping block from the downdraft vent opening and place it under the shipping pad to provide level support.



Center vent shipping block - place under the shipping pad to provide level support

CAUTION: GLASS IS FRAGILE. DO NOT BUMP EDGE OF GLASS DURING INSTALLATION.

Locate the foam gasket tape included with your cooktop.



Peel off the white backing to install the foam gasket tape on the bottom side of the cooktop glass as shown.

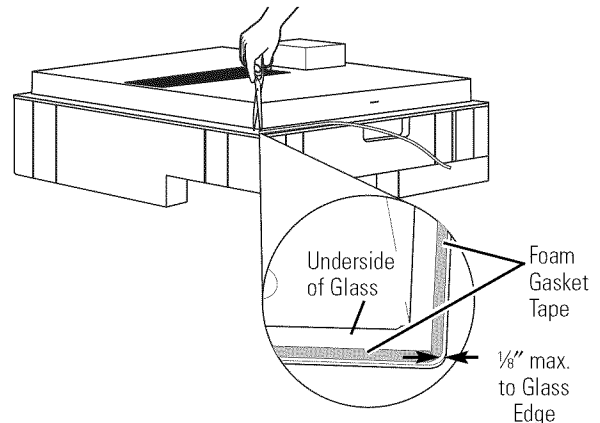
Note: On stainless steel model PP989S, apply the foam tape around the outer edge of the glass only on the sides and rear of the unit.

Foam Gasket Installation Notes:

- The foam gasket tape should be installed within 1/8" of the edge of the glass. Do not stretch or twist the foam gasket tape.

CAUTION: Failure to install foam gasket tape greatly increases the potential of breaking the cooktop glass when installing, especially in Corian® or granite countertops.

- Use care not to stretch the foam gasket tape while it is installed or it will not stay in place.
- Do not place foam gasket tape over the metal flanges.
- Butt the foam gasket tape ends together at each corner without overlapping.
- Trim the foam gasket tape to length without stretching.
- Mitre cut outside corners of foam gasket tape slightly if necessary for appearance.

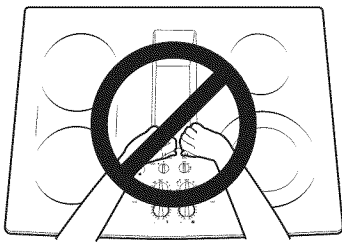


- Do not scratch the glass while cutting the foam gasket tape.

Installation Instructions

INSTALLING THE COOKTOP

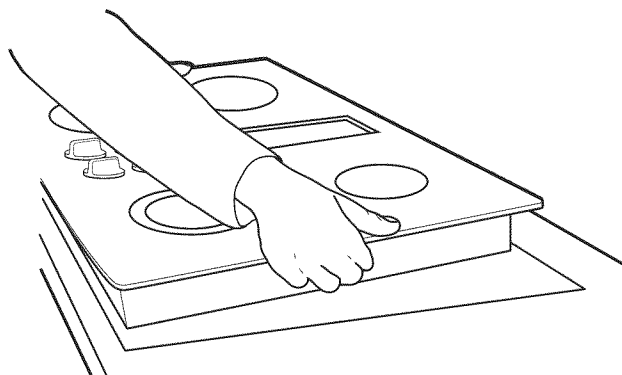
9 INSTALLING THE COOKTOP



CAUTION:
DO NOT LIFT
FROM VENT
OPENING.

Lift the cooktop by the glass side edges as shown.

NOTE: Do not use the glass top vent opening to lift or move the cooktop into position.



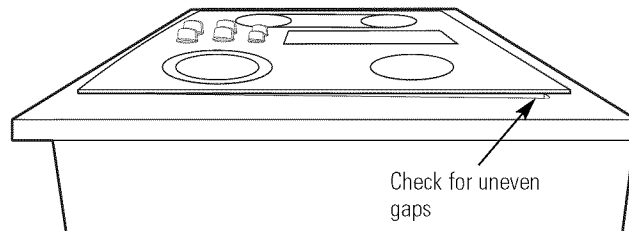
Lower the cooktop into the countertop opening, guiding it into position. Glass is fragile—do not allow it to drop onto the countertop. Support from the underside and lower slowly.

Carefully remove your fingers one corner at a time to lower the cooktop into position.

NOTE: Do not use Silicone RTV or caulk to bond cooktop glass to countertop.

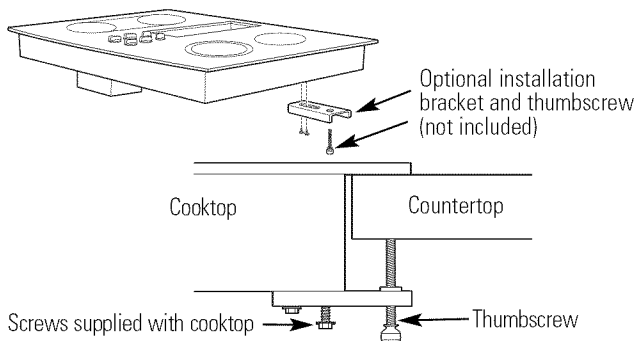
10 CHECKING FOR FLATNESS

Inspect the cooktop glass for rocking or uneven gap on all four sides at the countertop surface. Do not attempt to force the glass to meet the countertop.



11 INSTALLING THE OPTIONAL INSTALLATION BRACKETS

NOTE: Check for glass flatness in Step 10 before installing optional installation brackets.



To order optional installation brackets/thumb screws, call the National Parts Center at 800.626.2002. Order two of each part: WB02X11331 Bracket
WB01X10353 Screw

To install optional installation brackets:

Remove 2 screws on both sides under cooktop.

Align optional installation bracket under cooktop and reinstall screws through the slot in the bracket. Do this on both sides of the cooktop.

Thread the thumbscrew through the hole in the bracket and tighten to secure the cooktop to the countertop. Repeat on the other side.

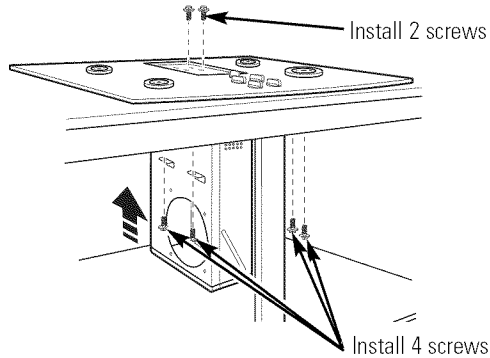
IMPORTANT: Turn thumbscrew until it touches the bottom of the countertop. Do not overtighten.

Installation Instructions

INSTALLING THE COOKTOP

12 INSTALLING THE BLOWER PLENUM TO THE COOKTOP

Slide the plenum, with the blower opening on the left, into the opening in the bottom of the cooktop. Push up on the plenum until the stops on the plenum contact the bottom of the cooktop, and snap the plenum into place. (You may have to move the plenum back and forth to work it into place.)

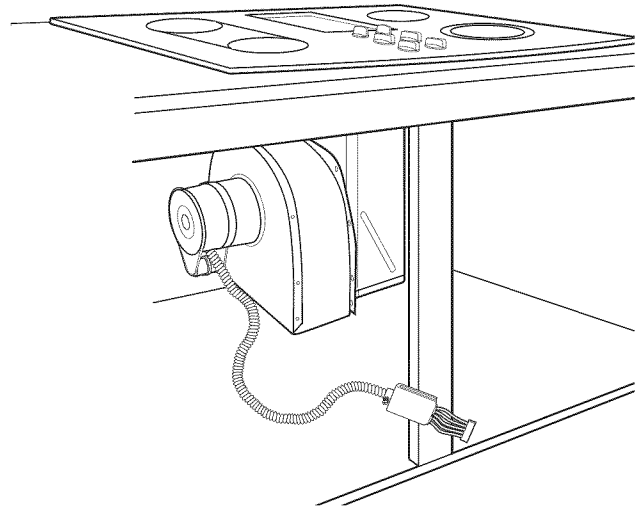


Secure the plenum to the bottom of the cooktop, on each side, using the four (4) screws provided. Further secure the plenum to the cooktop, from the top side, using the two screws (2) provided.

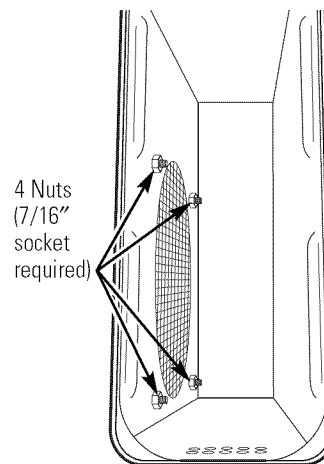
13 INSTALLING THE BLOWER TO THE PLENUM

Orient the blower discharge opening to match the ductwork in Steps 6 and 7. Slide the four threaded studs on the side of the blower housing into the four holes on the side of the plenum.

NOTE: See Step 14 for installing the transition duct to the blower. It may be easier to install the transition duct to the blower before installing the blower to the plenum.



From the vent opening in the top of the cooktop, fasten the blower assembly securely to the plenum with four (4) nuts.

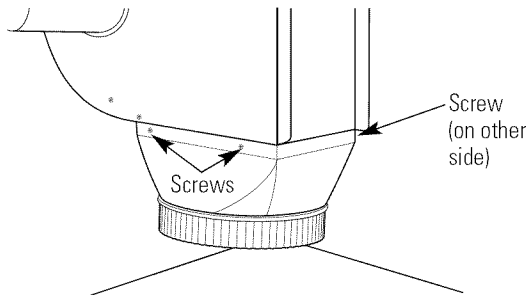


Installation Instructions

INSTALLING THE COOKTOP

14 ATTACHING A BLOWER TRANSITION DUCT

Use a blower transition duct for all downward duct installations to connect to 6" round standard ductwork. This 3 1/4" x 10" rectangle to 6" round transition duct is available at your local building supply store.



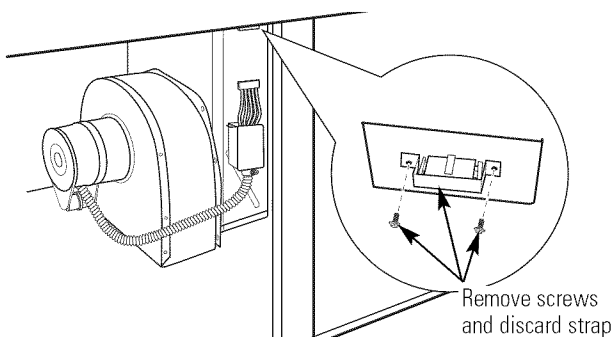
Remove the cardboard packing in the blower outlet. Install the transition duct to the blower outlet. Secure all joints with duct tape to assure an airtight seal.

15 CONNECTING THE DUCTWORK

Connect the ductwork prepared in Steps 5 and 6 to the blower transition duct.

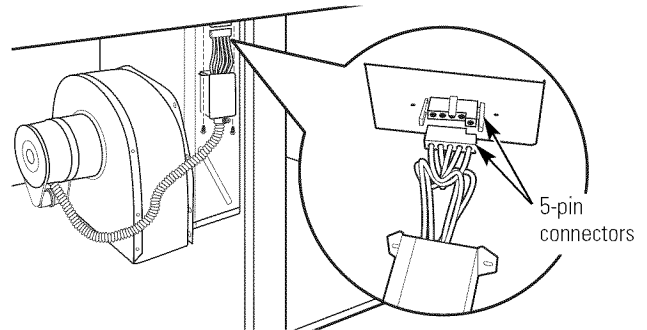
16 BLOWER ELECTRICAL CONNECTIONS

- Loosen the two screws and remove and discard the sheet metal strap covering the 5-pin connector on the cooktop bottom. Save the screws for reinstallation later.

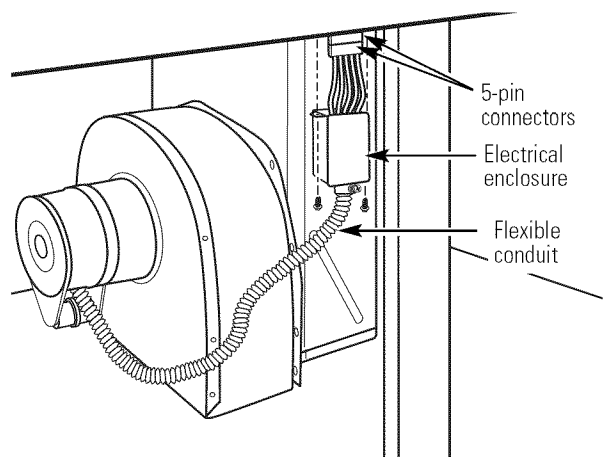


16 BLOWER ELECTRICAL CONNECTIONS (cont.)

- Connect the 5-pin plug on the blower assembly to the matching 5-pin receptacle on the bottom of the wire enclosure.



- Fold all wires into the electrical enclosure. Secure the enclosure with the screws removed earlier, making sure that no wires are trapped.



Installation Instructions

ELECTRICAL CONNECTIONS

17 BEFORE MAKING ELECTRICAL CONNECTIONS

Note to Electrician: The power leads supplied with this appliance are UL-recognized for connection to large gauge household wiring.

The insulation of these leads is rated at temperatures much higher than the temperature rating of household wiring. The current carrying capacity of a conductor is governed by the wire gauge and also the temperature rating of the insulation around the wire.

Aluminum Wiring – ⚠️ WARNING: IMPROPER CONNECTION OF ALUMINUM HOUSE WIRING TO THE COPPER LEADS CAN RESULT IN SERIOUS PROBLEMS.

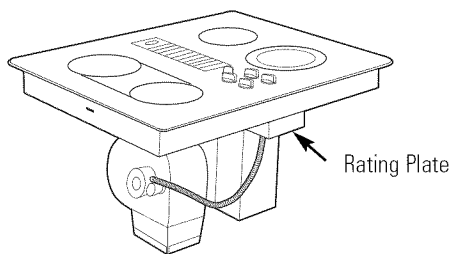
Attach copper wires to aluminum wiring using special connectors designed and UL-listed for joining copper to aluminum. Follow the connector manufacturer's recommended procedure closely.

Service Loop – Leave a loop in the wires to the cooktop so that the cooktop can be lifted 12 inches without having to disconnect the wiring.

ELECTRICAL REQUIREMENTS*

Model #	Voltage	Frequency	KW
PP989	120/240V	60Hz	9.1KW
	120/208V	60Hz	6.9KW

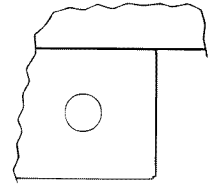
*For reference only. Verify with product rating plate.



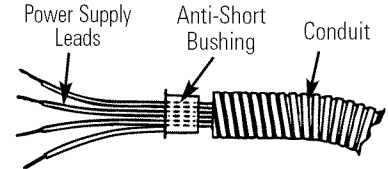
Electrical installation kit **JXCK89** may be ordered separately and includes all the parts necessary to connect the cooktop to typical rough-in wiring.

18 INSTALL 3/4" FLEXIBLE CONDUIT

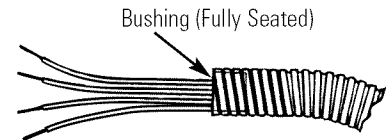
Remove the screws holding the wire compartment cover and remove the cover.



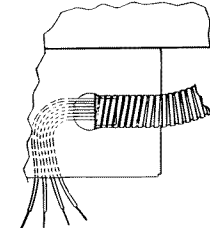
Feed the power supply leads through the conduit; be sure to leave enough length to properly connect these leads to the cooktop power leads.



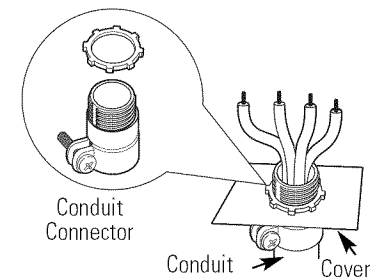
Thread the leads through an anti-short bushing and firmly seat the bushing in the end of the conduit.



Feed the leads through the hole in the wire compartment.



As local codes permit purchase a listed conduit connector suitable for the size conduit. Insert the conduit through the connector and attach it to the cover. Allow enough slack to easily attach the wires to the cooktop.



Note: Do not install the cooktop without a listed conduit connector. The conduit connector should be installed before reinstalling the wiring cover.

When complete, reinstall the wire compartment cover.

Installation Instructions

ELECTRICAL CONNECTIONS

19 MAKING ELECTRICAL CONNECTIONS

Effective January 1, 1996, the National Electrical Code requires that new, but not existing, construction utilize a four-conductor connection to an electric range. When installing an electric range in new construction, follow the instructions in NEW CONSTRUCTION AND FOUR-CONDUCTOR BRANCH CIRCUIT CONNECTION.

You must use a three-wire, single-phase AC 208Y/120 Volt or 240/120 Volt, 60 Hertz electrical system with separate ground. If you connect to aluminum wiring, properly installed connectors approved for use with aluminum wiring must be used.

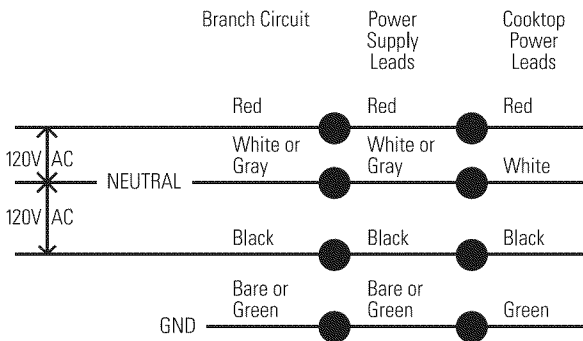
New construction and four-conductor branch circuit connection

- When installing in new construction, or
- When installing in a mobile home, or
- When local codes do not permit grounding through neutral:

4-Conductor Branch Circuit

When connecting the cooktop to a 4-conductor circuit, connect the red leads of the cooktop and the power supply to the branch circuit red lead; connect the black leads to each other. Connect the cooktop white lead to the power supply and branch circuit neutral leads, which are white or gray. Ground the unit by connecting the green conductor of the cooktop to the bare or green leads of the power supply and branch circuit (ground leads).

4-Conductor Branch Circuit



19 MAKING ELECTRICAL CONNECTIONS (cont.)

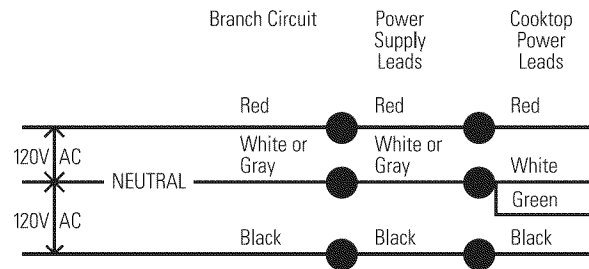
Three-conductor branch circuit connection

- When installing in existing construction built prior to January 1, 1996, and if permitted by local codes:

3-Conductor Branch Circuit

When connecting cooktop to a 3-conductor circuit, connect the red leads of the cooktop and the power supply to the branch circuit red lead; connect the black leads to each other. Connect the green and white leads of the cooktop to the power supply and branch circuit neutral leads, which are white or gray.

3-Conductor Branch Circuit



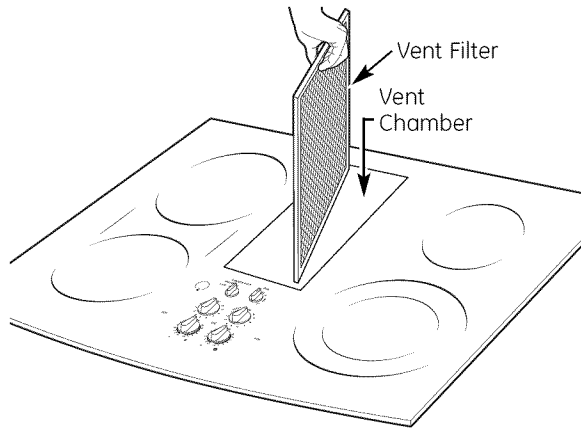
Installation Instructions

FINAL ASSEMBLY

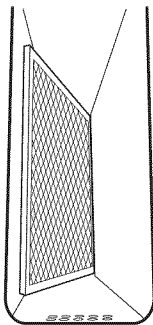
20 INSTALL DOWNDRAFT FILTER AND VENT GRILLE

Do not operate the vent without the filter in place.

- Place the filter diagonally through the vent opening.



- Make sure it rests, at an angle, on the supports in the vent opening.



- Carefully place the vent grille onto the downdraft opening.

CHECK OPERATION OF DOWNDRAFT

- Turn the vent fan speed control to **HI**, **MED** and **LO** to make sure all speeds operate correctly.

Before you call for service...

Troubleshooting Tips—Save time and money! Review this chart first and you may not need to call for service.

Problem	Possible Causes	What To Do
Water won't boil		<ul style="list-style-type: none"> Cover pan with a lid. Turn the downdraft fan OFF until the water begins to boil.
Surface units will not maintain a rolling boil or cooking is slow	Improper cookware being used.	<ul style="list-style-type: none"> Pan bottoms should be flat, fairly heavyweight and the same diameter as the surface unit selected.
Surface units do not work properly	<p>A fuse in your home may be blown or the circuit breaker tripped.</p> <p>Cooktop controls improperly set.</p>	<ul style="list-style-type: none"> Replace the fuse or reset the circuit breaker. Check to see the correct control is set for the surface unit you are using.
Tiny scratches or metal marks (may appear as cracks) or abrasions on radiant cooktop glass surface	<p>Incorrect cleaning methods being used.</p> <p>Cookware with rough bottoms being used or coarse particles (salt or sand) were between the cookware and the surface of the cooktop.</p> <p>Cookware has been slid across the cooktop surface.</p>	<ul style="list-style-type: none"> See the <i>Cleaning the glass cooktop</i> section. Be sure cookware bottoms and cookware are clean before use. Use cookware with smooth bottoms. Tiny scratches are not removable but will become less visible in time as a result of cleaning.
Areas of discoloration or dark streaks on the cooktop	<p>Improper cookware being used.</p> <p>Hot surface on a model with a light-colored cooktop.</p> <p>Food spillovers not cleaned before next use.</p> <p>Incorrect cleaning methods being used.</p>	<ul style="list-style-type: none"> Marks from aluminum and copper pans as well as mineral deposits from water or food can be removed with the cleaning cream. This is normal. The surface may appear discolored when it is hot. This is temporary and will disappear as the glass cools. See the <i>Cleaning the glass cooktop</i> section. Use recommended cleaning procedures.
Hot sugar mixtures or plastic melted to the surface	Hot cooktop came into contact with these substances.	<ul style="list-style-type: none"> See the <i>Glass surface—potential for permanent damage</i> section in the <i>Cleaning the glass cooktop</i> section.
Pitting (or indentation) of the cooktop	Hot sugar mixture spilled or plastic melted on the cooktop.	<ul style="list-style-type: none"> Call a qualified technician for replacement.
Cooktop making an audible sound	Cooktop is locked.	<ul style="list-style-type: none"> Check to be sure the Control Lock knob is turned to UNLOCK.
Frequent cycling off and on of surface units	Improper cookware being used.	<ul style="list-style-type: none"> Use only flat cookware to minimize cycling.
Cooktop feels hot	Improper cookware being used.	<ul style="list-style-type: none"> The glass cooktop surface may seem hotter than you are used to. This is normal. Use pans which are absolutely flat.
Control knob will not turn	Cooktop controls improperly set.	<ul style="list-style-type: none"> When the knob is in the OFF position, it must be pushed down before it can be turned. When the knob is in any other position, it can be turned without being pushed in.
Poor venting	<p>Clogged filter.</p> <p>House too airtight.</p> <p>Wall cap obstructed.</p> <p>Wall cap damper door stuck.</p> <p>Duct length exceeds recommended 100 equivalent foot maximum.</p>	<ul style="list-style-type: none"> Clean filter per instructions. Open a window slightly to provide fresh air source. Remove blockage from exterior wall cap. Check exterior wall cap damper door for free movement or obstruction. Reduce number of elbows to simplify duct run.

GE Service Protection Plus™

GE, a name recognized worldwide for quality and dependability together with Assurant Solutions, offers you Service Protection Plus™—comprehensive protection on your appliances.*

Benefits Include:

- Prompt, reliable service from GE Authorized Servicicers
- Convenient hours designed to suit your busy schedule
- Quality replacement parts
- The dependability of GE, a name recognized and trusted worldwide
- Ask about our interest-free payment plans

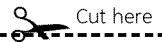
With Service Protection Plus you can expect:

- An extended service plan that limits unexpected repair bills
- Service coverage for most major brands
- Unlimited service calls for the length of your contract, or credit toward a replacement product
- Service coverage for covered operating parts and labor on appliances and home electronics that fail during normal single family household use
- Your satisfaction is our goal. We strive to provide you with excellent service in a professional and timely manner.

Place your confidence in GE and call us in the U.S. toll-free at **1.800.626.2224** for more information.

*Most brands covered up to 15 years old in the continental U.S.

SPP is a trademark of General Electric Company.



Please place in envelope and mail to:

General Electric Company
Warranty Registration Department
P.O. Box 32150
Louisville, KY 40232-2150

Consumer Product Ownership Registration

Dear Customer:

Thank you for purchasing our product and thank you for placing your confidence in us.

We are proud to have you as a customer!

Follow these three steps to protect your new appliance investment:

1

Complete and mail your Consumer Product Ownership Registration today. Have the peace of mind of knowing we can contact you in the unlikely event of a safety modification.

2

After mailing the registration below, store this document in a safe place. It contains information you will need should you require service. Our service number is 800 GE CARES (800.432.2737).

3

Read your Owner's Manual carefully. It will help you operate your new appliance properly.

Model Number

Serial Number

Important: If you did not get a registration card with your product, detach and return the form below to ensure that your product is registered, or register online at ge.com.

 Cut here

Consumer Product Ownership Registration



Model Number

Serial Number

Mr. Ms. Mrs. Miss

First Name

Last Name

Street Address

Apt. #

E-mail Address*

City

State

Zip Code

Date Placed In Use
Month

Day

Year

Phone Number --



GE Consumer & Industrial Appliances
General Electric Company
Louisville, KY 40225
ge.com

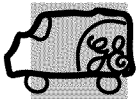
* Please provide your e-mail address to receive, via e-mail, discounts, special offers and other important communications from GE Appliances (GEA).

Check here if you do not want to receive communications from GEA's carefully selected partners.

FAILURE TO COMPLETE AND RETURN THIS CARD DOES NOT DIMINISH YOUR WARRANTY RIGHTS.

For information about GEA's privacy and data usage policy, go to ge.com and click on "Privacy Policy" or call 800.626.2224.

GE Electric Cooktop Warranty.



All warranty service provided by our Factory Service Centers, or an authorized Customer Care® technician. To schedule service, on-line, visit us at ge.com, or call 800.GE.CARES (800.432.2737). Please have serial number and model number available when calling for service.

Staple your receipt here. Proof of the original purchase date is needed to obtain service under the warranty.

For The Period Of: GE Will Replace:

One Year

From the date of the original purchase

Any part of the cooktop which fails due to a defect in materials or workmanship. During this **limited one-year warranty**, GE will also provide, **free of charge**, all labor and in-home service to replace the defective part.

Five Years

From the date of the original purchase

A replacement glass cooktop if it should: crack due to thermal shock; discolor; or if the pattern wears off.

A replacement radiant surface unit if it should burn out.

During this **limited additional four-year warranty**, you will be responsible for any labor or in-home service.

What GE Will Not Cover:

- Service trips to your home to teach you how to use the product.
- Replacement of house fuses or resetting of circuit breakers.
- Improper installation, delivery or maintenance.
- Damage to the product caused by accident, fire, floods or acts of God.
- Failure of the product if it is abused, misused, or used for other than the intended purpose or used commercially.
- Incidental or consequential damage caused by possible defects with this appliance.
- Damage to the glass cooktop caused by use of cleaners other than the recommended cleaning creams and pads.
- Damage caused after delivery.
- Damage to the glass cooktop caused by hardened spills of sugary materials or melted plastic that are not cleaned according to the directions in the Owner's Manual.
- Product not accessible to provide required service.

EXCLUSION OF IMPLIED WARRANTIES—Your sole and exclusive remedy is product repair as provided in this Limited Warranty. Any implied warranties, including the implied warranties of merchantability or fitness for a particular purpose, are limited to one year or the shortest period allowed by law.

This warranty is extended to the original purchaser and any succeeding owner for products purchased for home use within the USA. If the product is located in an area where service by a GE Authorized Servicer is not available, you may be responsible for a trip charge or you may be required to bring the product to an Authorized GE Service Location for service. In Alaska, the warranty excludes the cost of shipping or service calls to your home.

Some states do not allow the exclusion or limitation of incidental or consequential damages. This warranty gives you specific legal rights, and you may also have other rights which vary from state to state. To know what your legal rights are, consult your local or state consumer affairs office or your state's Attorney General.

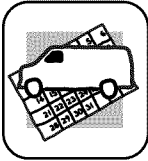
Consumer Support.



GE Appliances Website

ge.com

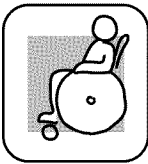
Have a question or need assistance with your appliance? Try the GE Appliances Website 24 hours a day, any day of the year! For greater convenience and faster service, you can now download Owner's Manuals, order parts or even schedule service on-line.



Schedule Service

ge.com

Expert GE repair service is only one step away from your door. Get on-line and schedule your service at your convenience any day of the year! Or call 800.GE.CARES (800.432.2737) during normal business hours.



Real Life Design Studio

ge.com

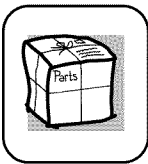
GE supports the Universal Design concept—products, services and environments that can be used by people of all ages, sizes and capabilities. We recognize the need to design for a wide range of physical and mental abilities and impairments. For details of GE's Universal Design applications, including kitchen design ideas for people with disabilities, check out our Website today. For the hearing impaired, please call 800.TDD.GEAC (800.833.4322).



Extended Warranties

ge.com

Purchase a GE extended warranty and learn about special discounts that are available while your warranty is still in effect. You can purchase it on-line anytime, or call 800.626.2224 during normal business hours. GE Consumer Home Services will still be there after your warranty expires.



Parts and Accessories

ge.com

Individuals qualified to service their own appliances can have parts or accessories sent directly to their homes (VISA, MasterCard and Discover cards are accepted). Order on-line today, 24 hours every day or by phone at 800.626.2002 during normal business hours.

Instructions contained in this manual cover procedures to be performed by any user. Other servicing generally should be referred to qualified service personnel. Caution must be exercised, since improper servicing may cause unsafe operation.



Contact Us

ge.com

If you are not satisfied with the service you receive from GE, contact us on our Website with all the details including your phone number, or write to: General Manager, Customer Relations
GE Appliances, Appliance Park
Louisville, KY 40225



Register Your Appliance

ge.com

Register your new appliance on-line—at your convenience! Timely product registration will allow for enhanced communication and prompt service under the terms of your warranty, should the need arise. You may also mail in the pre-printed registration card included in the packing material.



Estufa

radiante de ventilación descendente (downdraft)

Instrucciones de seguridad2-5

Instrucciones de operación

Características de su estufa6
Ideas sobre las piezas de cocina9
Limitador de temperatura8
Quemador de puente8
Sistema de ventilación de la estufa8
Unidades de superficie7, 8
Unidad de superficie doble8

Cuidado y limpieza

Botones de control10
Estufa de vidrio11, 12
Filtro de ventilación10
Sistema de ventilación10

Instrucciones de instalación

Cómo desempacar la estufa14, 21
Cómo instalar la estufa22-24
Cómo instalar la junta21
Conexiones eléctricas24-26
Ensambladura final27
Índices de soplado de escape19
Precauciones de seguridad13
Preparación15-17
Red de conductos17-20, 24

Ideas sobre la identificación y solución de averías28

Apoyo al consumidor

Apoyo al consumidor32
Garantía31

Escriba el número de modelo y de serie aquí:

Modelo # _____

Serie # _____

Encuentre estos números en una etiqueta debajo de la estufa, en el lado de la cámara de ventilación.

Manual del propietario e Instrucciones de instalación

PP989

INSTRUCCIONES DE SEGURIDAD IMPORTANTES. LEA TODAS LAS INSTRUCCIONES ANTES DE USAR.



PRECAUCIONES DE SEGURIDAD

⚠️ ADVERTENCIA – PARA REDUCIR EL RIESGO DE INCENDIOS, DESCARGAS ELÉCTRICAS O LESIONES PERSONALES, OBSERVE LO SIGUIENTE:

- A. Use este manual solamente de la manera que el fabricante lo indique. Si usted tiene preguntas, póngase en contacto con el fabricante.
- B. Antes de proporcionar servicio o de limpiar la unidad, desconecte el suministro eléctrico en el panel de servicio y cierre el mecanismo de seguridad para evitar que alguien lo conecte accidentalmente. Cuando no exista un dispositivo de cierre de seguridad, amarre un aviso visible, como una etiqueta al panel de servicio haciendo la advertencia.
- C. No use esta unidad con ningún dispositivo de control de velocidad de estado sólido.
- D. Esta unidad debe estar conectada a tierra.

⚠️ PRECAUCIÓN – Para uso de ventilación general solamente. No use para expulsar materiales peligrosos o explosivos y vapores.

⚠️ ADVERTENCIA – PARA REDUCIR EL RIESGO DE LESIONES PERSONALES EN EL CASO DE UN INCENDIO DEBIDO A GRASA DE ESTUFA QUEMADA, HAGA LO SIGUIENTE *:

- A. CONTenga LAS LLAMAS con una tapa que ajuste bien sobre la sartén, con una lámina para hacer dulces o con una bandeja metálica, y luego apague el quemador. TENGA CUIDADO DE NO QUEMARSE. Si las llamas no se apagan inmediatamente, EVACUE EL LUGAR Y LLAME AL DEPARTAMENTO DE BOMBEROS.
- B. NUNCA AGARRE UNA SARTÉN O UNA OLLA QUE SE ENCUENTRE EN LLAMAS – Se podría quemar.
- C. NO USE AGUA, incluyendo paños de cocina o toallas humedecidas – esto hará que ocurra una explosión de vapor violenta.
- D. Use un extintor SOLAMENTE si:
 1. Usted sabe que tiene un extintor Clase ABC, y si usted ya sabe cómo operarlo.
 2. El fuego es pequeño y está contenido al área donde comenzó.
 3. El departamento de bomberos ha sido llamado.
 4. Usted está luchando contra las llamas con sus espaldas hacia una salida.

* Basado en "Ideas para la seguridad en la cocina", publicado por NFPA.

⚠️ ADVERTENCIA – PARA REDUCIR EL RIESGO DE UN FUEGO DE GRASA DE ESTUFA:

- A. Nunca deje unidades de superficies sin la atención debida en selecciones altas. Cuando se está hirviendo algo y ocurren derramamientos, estos podrían causar humo y que los derramamientos grasosos se incendien. Caliente los aceites lentamente a selecciones medias y bajas.
- B. Siempre ponga la campana en ENCENDIDO al cocinar a fuego alto o cuando cocine platillos flameados como crepes suzette, cerezas jubilee o flameado de res a la pimienta en grano.
- C. Limpie el ventilador con frecuencia. La grasa no debe acumularse en el ventilador o en el filtro.
- D. Use una sartén de tamaño apropiado. Siempre use piezas de cocina apropiadas para el tamaño del elemento de la superficie.

⚠️ ADVERTENCIA – PARA REDUCIR EL RIESGO DE INCENDIOS, DESCARGAS ELÉCTRICAS O LESIONES PERSONALES, OBSERVE LO SIGUIENTE:

- A. El trabajo de instalación y el alambrado eléctrico debe hacerlo una persona(s) calificada conforme a todos los códigos y estándares aplicables, incluyendo una construcción aprobada por el inspector de incendios.
- B. Suficiente aire es necesario para una combustión apropiada y para deshacerse de los gases a través de una salida de humo (chimenea) de equipos que queman combustibles para prevenir retroalimentación. Siga las recomendaciones del fabricante del equipo de calentamiento y los estándares de seguridad tales como los publicados por la Asociación nacional de protección de incendios (NFPA), y la Sociedad americana de ingenieros de calefacción, acondicionadores de aire y refrigeración (ASHRAE), y los códigos de las autoridades locales.
- C. Cuando se encuentre cortando o taladrando en la pared o en el techo, no dañe los alambrados eléctricos u otras utilidades escondidas.
- D. Los ventiladores con conductos deben estar siempre ventilados hacia el exterior.

⚠️ ADVERTENCIA – PARA REDUCIR EL RIESGO DE INCENDIOS, SOLAMENTE USE CONDUCTOS METÁLICOS.

■ No intente reparar o reemplazar ninguna parte de su estufa de ventilación de aire descendente (downdraft) a no ser que lo recomiende específicamente este manual. Cualquier otro servicio debe ser referido a un técnico calificado.

⚠ ¡ADVERTENCIA!

Por su seguridad, la información en este manual debe ser obedecida para minimizar el riesgo de incendio o explosión, descarga eléctrica, o para prevenir daños a la propiedad, lesiones personales, y pérdida de vidas.



PRECAUCIONES DE SEGURIDAD

Cuando se encuentre usando electrodomésticos eléctricos, precauciones básicas de seguridad deben obedecerse, incluyendo las siguientes:

- Cerciórese de que su electrodoméstico está instalado apropiadamente y conectado a tierra por un técnico calificado de acuerdo con los códigos locales y con las instrucciones de instalación proporcionadas.
- Haga que el instalador le muestre la localización del interruptor de circuito o del fusible. Márquelo para referencia fácil.
- No deje niños solos—los niños no deben ser dejados solos o sin atención en un área donde haya algún electrodoméstico en uso. Nunca se debe permitir a los niños que se sienten o que se paren sobre ninguna parte de un electrodoméstico.
- Enseñe a los niños a no jugar con los controles o con ninguna otra parte de la estufa.
- No permita que nadie se trepe, se ponga de pie o que se cuelgue de la estufa.
- **⚠ PRECAUCIÓN:** Los artículos de interés para los niños no deben ser almacenados en gabinetes encima de la estufa—si los niños se trepan sobre la estufa tratando de alcanzar algún artículo, podrían resultar seriamente lesionados.
- Siempre mantenga las paredes combustibles (que se puedan incendiar), cortinas o cubiertas a una distancia segura de la estufa.
- Siempre mantenga las toallas de limpiar platos, los guantes de agarrar sartenes calientes y cualquier otro tipo de material que se pueda quemar, a una distancia segura de su estufa.
- Siempre mantenga los utensilios de madera o de plástico y los alimentos enlatados a una distancia segura de la estufa.
- Nunca use ropa demasiado floja o que tenga piezas que le cuelguen mientras está usando electrodoméstico. Los materiales inflamables se podrían incendiar si se ponen en contacto con las unidades de superficie calientes y podrían causar quemaduras severas.
- Use solamente sostenedores de sartenes secos—los húmedos o mojados cuando entran en contacto con superficies calientes podrían causar quemaduras debido al vapor. No deje que los sostenedores de sartenes entren en contacto con las unidades de superficie calientes de la unidad. No use una toalla u otras telas voluminosas. Estas telas se podrían encender al entrar en contacto con las superficies de la unidad.
- Por su seguridad, nunca use su electrodoméstico para calentar el salón.
- No use agua sobre fuegos de grasa. Nunca agarre una sartén que se encuentre en llamas. Apague los controles. Ahogue una sartén en llamas sobre una unidad de superficie cubriendo la sartén completamente con una tapa que le encaje bien, con una plancha de hacer dulces o con una bandeja plana. Use un químico seco multipropósitos o un extintor tipo espuma.

La grasa en llamas fuera de una sartén se puede apagar cubriéndola con bicarbonato o, si lo tiene disponible, usando un químico seco multipropósitos o un extintor tipo espuma.



COCINE BIEN LAS CARNES Y LAS CARNES DE AVE...

Cocine totalmente las carnes y las carnes de ave—cocine la carne a una temperatura INTERNA de por lo menos 160 °F y las carnes de ave a una temperatura INTERNA de 180 °F. Cocinar a estas temperaturas generalmente lo protege contra enfermedades contenidas en las carnes.

INSTRUCCIONES DE SEGURIDAD IMPORTANTES. LEA TODAS LAS INSTRUCCIONES ANTES DE USAR.



⚠ ¡ADVERTENCIA! PRECAUCIONES DE SEGURIDAD

- No permita que grasa de cocinar u otros materiales inflamables se acumulen sobre la estufa.
- No toque las unidades de superficie. Estas superficies podrían estar lo suficientemente calientes para quemar aunque estén negras y no parezcan estar calientes. Durante y después del uso, no toque, o permita que ninguna ropa u otros materiales inflamables se pongan en contacto con las unidades o con las áreas próximas a las unidades de superficie; permita que transcurra tiempo suficiente para que se enfríen primero.

Potencialmente las superficies calientes incluyen la estufa y las áreas en proximidad inmediata a la estufa.
- Para minimizar la posibilidad de quemaduras, de ignición de materiales inflamables y de derrames, la manija de la sartén u olla debe voltearse hacia el centro de la estufa sin extenderla sobre cualquier otra unidad de superficie cercana.
- Siempre apague el control de la unidad de superficie antes de remover sus piezas de cocina.
- Use sartenes de tamaño apropiado—Seleccione sartenes que tengan el fondo lo suficientemente plano como para cubrir la unidad de superficie que se encuentra calentando el elemento. El uso de piezas de cocina demasiado pequeñas expondrá una porción de la unidad de superficie un contacto directo que podría resultar en la ignición de alguna ropa. La relación apropiada entre las sartenes y el quemador también mejorará la eficiencia.
- Nunca deje unidades de superficies sin la atención debida en selecciones altas. Cuando se está hirviendo algo y ocurren derramamientos, estos podrían causar humo y que los derramamientos grasosos se incendien.
- Solamente ciertos tipos de vidrios, cerámicas, vajijas de barro cocidas y otras vajijas glaseadas son apropiadas para cocinar sobre la estufa; otras se podrían romper debido a cambios rápidos en la temperatura.
- Ponga atención a los alimentos que se encuentre friendo a selecciones de calor altas y medias.
- Los alimentos que se van a freír deberían secarse tanto como sea posible. El hielo y la humedad en comidas frescas pueden causar un derrame de aceite.
- Use poco aceite para una fritura efectiva no muy profunda. Llenar la sartén con demasiado aceite podría causar que ocurran derrames cuando los alimentos sean agregados.
- Si se dispone a usar una combinación de aceites y grasas para cocinar, mézclelos antes de calentarlos, o derrita las grasas lentamente.
- Siempre caliente las grasas lentamente y vigíelas mientras se calientan.
- Use un termómetro de grasa de profundidad siempre que sea posible para prevenir que la grasa se sobrecaliente más allá del punto de inflamación.
- Nunca trate de mover una sartén que contenga grasa caliente, especialmente una sartén que contenga mucha grasa caliente. Espere hasta que la grasa se enfríe.
- No almacene materiales inflamables cerca de la estufa.
- Mantenga la parrilla de ventilación y los filtros de grasa limpios para mantener una buena ventilación y evitar fuegos de grasa.
- No almacene o use materiales combustibles, gasolina u otros vapores inflamables y líquidos en las proximidades de este o cualquier otro electrodoméstico.
- Limpie solamente las partes especificadas en este Manual del propietario.
- No deje productos de papel, utensilios de cocina o alimentos sobre la estufa cuando no esté siendo usada.
- Mantenga la estufa limpia y libre de acumulación de grasa o derrames que se puedan encender.
- Nunca caliente comida enlatada cerrada. La presión en su interior podría causar que ocurra una explosión y que haya lesiones.
- Nunca deje latas o jarras de grasa sobre o próximo a su estufa.



UNIDADES DE SUPERFICIE RADIANTE

Sea cuidadoso cuando toque la estufa. La superficie de vidrio de la estufa se mantendrá caliente después de que los controles se hayan apagado.

- Evite rasguñar la estufa de vidrio. La estufa puede rasguñarse con objetos como instrumentos filosos, anillos u otras joyas y remaches en ropa o tela.
 - Rasguñaduras grandes o impactos a la estufa de vidrio puede terminar en vidrio roto.
 - Nunca use una estufa de superficie de vidrio como una superficie de corte.
 - No coloque o almacene artículos encima de la estufa de superficie de vidrio cuando no esté en uso.
 - Sea cuidadoso cuando coloque cucharas u otros utensilios sobre la estufa de superficie de vidrio cuando no esté en uso. Se podrían calentar y causar quemaduras.
 - Evite calentar una sartén caliente. Hacerlo podría dañar la estufa y la sartén.
 - No permita que agua, otros líquidos o grasa permanezca sobre la estufa.
 - Para minimizar la posibilidad de quemaduras, siempre cerciórese de que los controles de todas las unidades de superficie están en la posición de apagado y que la estufa de superficie de vidrio completa está fría antes de intentar limpiar la estufa.
 - No opera las unidades de vidrio de la estufa si el vidrio está roto. Derrames o solución de limpieza podría penetrar el vidrio roto y causar riesgos de una descarga eléctrica. Póngase en contacto con un técnico calificado inmediatamente si el vidrio de su estufa se rompe.
 - Limpie la estufa con precaución. Si una esponja húmeda o un trapo es usado para limpiar derrames en unidades de superficies calientes, tenga cuidado de evitar quemaduras causadas por el vapor. Algunos limpiadores pueden causar gases nocivos si son aplicados a superficies calientes.
- NOTA:** Recomendamos que evite limpiar la superficie de cualquiera de las áreas hasta haberse enfriado y que el indicador se haya apagado. **Los derrames de azúcar son una excepción a esto.** Lea *Cómo Limpiar la Superficie de Cocción de Vidrio* en la sección de *Cuidado y Limpieza*.
- Cuando la estufa esté fría, use solamente el limpiador para cerámicas de estufas CERAMA BRYTE® y la almohadilla de limpieza CERAMA BRYTE® para limpiar la estufa.
 - Para evitar posibles daños a la superficie de cocinado, no aplique cremas de limpieza cuando la superficie de vidrio esté caliente.
 - Después de la limpieza, use un trapo seco o una toalla de papel para remover todos los residuos de la crema de limpieza.
 - Lea y siga todas las instrucciones y las advertencias en las etiquetas de la crema de limpieza.
 - Tenga cuidado al tocar la estufa. La superficie de vidrio de la estufa retendrá el calor después de que los controles se hayan colocado en la posición OFF.
 - No se pare sobre la estufa con cubierta de vidrio.



LEA Y SIGA ESTA INFORMACIÓN DE SEGURIDAD CUIDADOSAMENTE.
GUARDE ESTAS INSTRUCCIONES

Instrucciones de
seguridad

Instrucciones de
operación

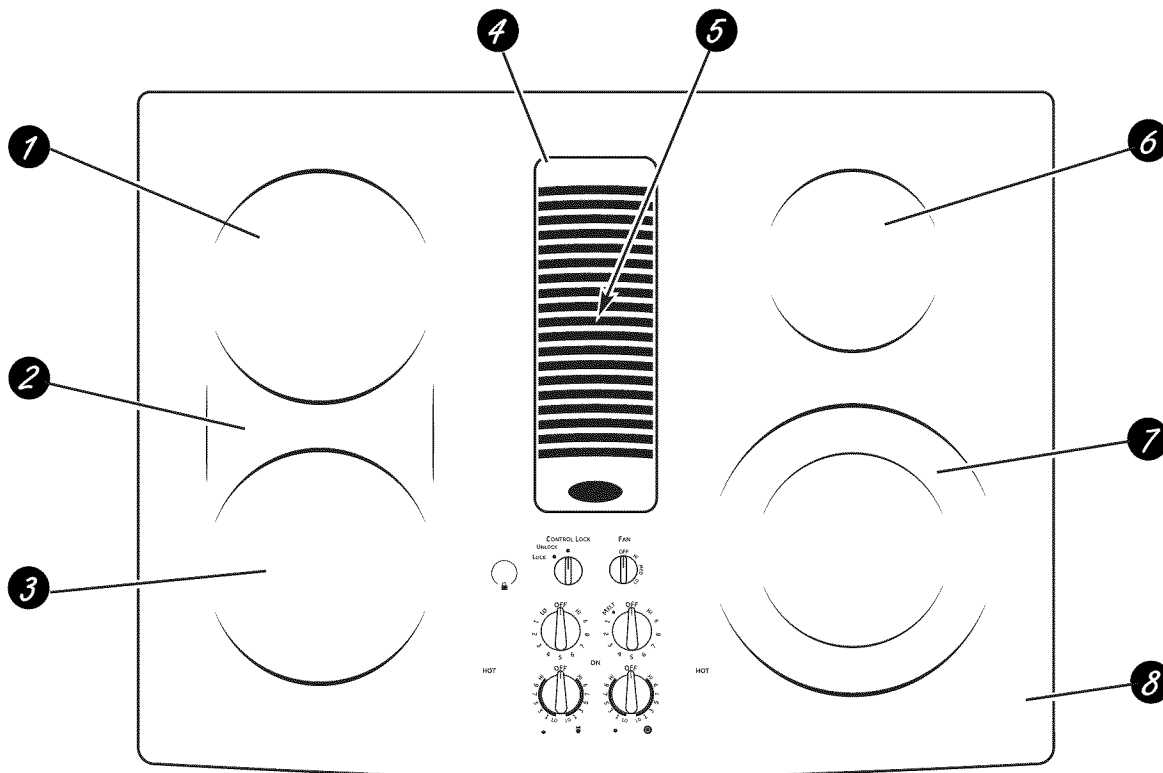
Cuidado y limpieza

Solución e identificación
de averías

Apoyo al consumidor

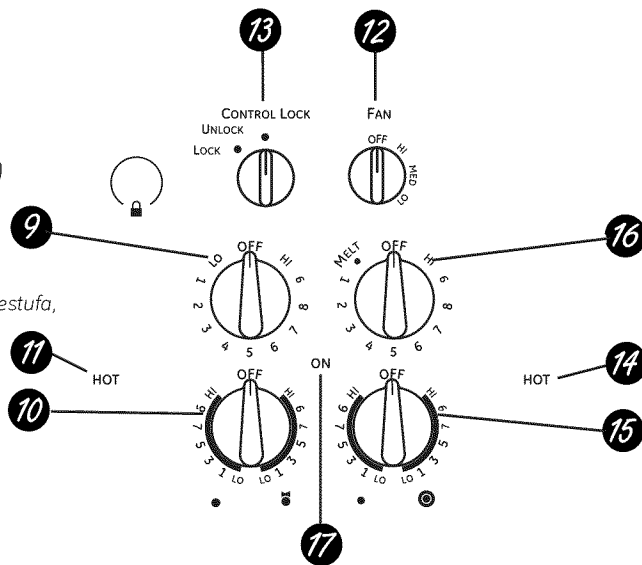
Características de su estufa.

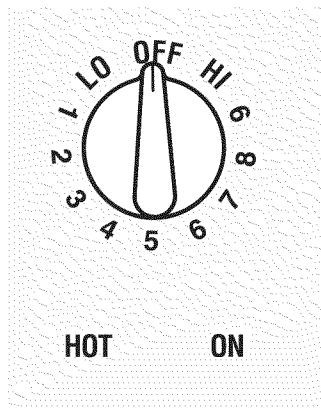
A través de este manual, las características y la apariencia podrían variar de acuerdo con su modelo.



Índice de características (las características y la apariencia podrían variar de acuerdo con su modelo)

- 1 Unidad de superficie posterior izquierda
- 2 Unidad de superficie de puente
- 3 Unidad de superficie frontal izquierda
- 4 Parrilla de ventilación
- 5 Filtro de ventilación (debajo de la parrilla de ventilación)
- 6 Unidad de superficie posterior derecha
- 7 Unidad de superficie doble
- 8 Etiqueta con los números de modelo y serie (debajo de la estufa, en el lado derecho de la cámara de ventilación)
- 9 Control de la unidad de superficie posterior izquierda
- 10 Control de la unidad de superficie frontal izquierda
- 11 Luces indicadoras de que la superficie está caliente del lado izquierdo (una por cada unidad de superficie)
- 12 Control de velocidad del ventilador de ventilación
- 13 Perilla de bloqueo de control
- 14 Luces indicadoras de que la superficie está caliente del lado derecho (una por cada unidad de superficie)
- 15 Control de unidad de superficie doble
- 16 Control de unidad de superficie posterior derecha
- 17 Luz indicadora encendida de la unidad de superficie





Cerciérese de girar el botón de control a apagado (OFF) cuando termine de cocinar.

Unidades de superficie radiantes

El control de la unidad de superficie radiante puede colocarse en cualquier lugar entre **LO** (Bajo) y **HI** (Alto) para un número de selecciones de calentamiento ilimitado. Con el interruptor infinito el embobinado hace ciclo entre encendido y apagado para mantener control de su selección.

Para hervir líquidos, use una olla o sartén que tenga tapa.

El botón de control debe empujarse hacia abajo y movido desde la posición **OFF** (Apagado). Cuando los botones de control están en cualquier posición que no sea APAGADO, pueden moverse sin presionarlos.

Cerciérese de girar el botón de control a la posición apagado cuando termine de cocinar. Usted sentirá un **clik** en la posición **OFF**.

La luz indicadora de la unidad de superficie brillará cuando **cualquiera** de las unidades de superficie estén encendidas **ON** (Encendido).

NOTA: La luz indicadora de **ON** (Encendido) de unidad de superficie podría brillar entre las posiciones **LO** (Bajo) y **OFF** (Encendido) del

control de superficie, pero no hay energía eléctrica llegando a las unidades de superficie.

Las temperaturas de la estufa aumentan con el número de unidades de superficie que estén encendidas. Con 3 ó 4 unidades encendidas, las temperaturas de superficie son altas, así que tenga cuidado cuando toque la estufa.

Las luces indicadoras de **HOT SURFACE** (Superficie caliente) brillarán cuando el elemento radiante esté encendido, y permanecerán encendidas hasta que la superficie se enfríe a aproximadamente 150° F.

NOTA:

- Las luces indicadoras de superficie se encienden instantáneamente y permanecen encendidas aún cuando la unidad de superficie sea apagada.
- Las luces brillan con mucha intensidad hasta que la unidad se enfría a aproximadamente 150° F.
- Asegúrese de apagar la perilla de control cuando termine de cocinar.



Nunca cocine directamente sobre el vidrio. Siempre use piezas de cocina.



Siempre coloque la sartén en el centro de la unidad de superficie en la que está cocinando.



No deslice sartenes encima de la superficie de la estufa porque esto podría rasguñar el vidrio. El vidrio es resistente, pero no es a prueba de rasguños.

Acerca de las unidades de superficie radiantes...

La estufa radiante tiene unidades calentadoras por debajo de una superficie suave de vidrio.

NOTA: Un olor ligero es normal cuando una estufa nueva es usada por primera vez. Esto es causado por el calentamiento de las partes nuevas y los materiales de aislamiento y desaparecerá en corto tiempo.

NOTA: En algunos modelos de estufas con vidrios con colores ligeros, es normal que la zona de cocinado cambie de color cuando se calienta o cuando se enfría. Esto es temporal y desaparecerá conforme el vidrio se enfría a temperatura ambiente.

La unidad de superficie hará ciclo entre encendido y apagado para mantener los controles de su selección.

Es seguro colocar una pieza de cocina caliente del horno o de la superficie sobre la superficie de vidrio cuando la superficie está fría.

Aún después de que las unidades de superficie son apagadas, la estufa de vidrio retiene suficiente calor para continuar cocinando. Para evitar cocinar excesivamente, remueva las sartenes de las unidades de superficie cuando la comida se haya cocinado. Evite colocar ningún objeto sobre la superficie hasta que se haya enfriado completamente.

- Las manchas de agua (depósitos de minerales) se remueven usando una crema de limpieza o vinagre blanco puro.
- El uso de limpiador de ventanas podría dejar una película iridiscente sobre la estufa. La crema de limpieza removerá esta decoloración.
- No almacene artículos pesados sobre la estufa. Si se caen sobre la estufa, podrían dañarla.
- No use la superficie como tabla de corte.

Cómo usar las unidades de superficie.



Unidad de superficie doble

La unidad de superficie frontal derecha tiene dos tamaños para cocinar entre los que usted puede escoger y así podrá combinar el tamaño correcto de la sartén que se encuentre usando con la unidad de superficie apropiada.

Para usar una unidad de superficie grande (9"), gire el botón en dirección de las agujas del reloj hacia y seleccione el ajuste deseado. La unidad calentará el área completa contenida en el círculo grande.

Para usar la unidad de superficie pequeña (6"), gire el botón en dirección contraria a las agujas del reloj y seleccione el ajuste deseado. La unidad calentará solamente el área contenida en el círculo pequeño.



Unidad de superficie de puente

Cerciórese de que la sartén descansa de manera plana sobre la estufa de vidrio y de que no está descansando en los extremos. Si usted nota poco rendimiento de cocción, mueva la sartén para cerciorarse de que está apoyada de manera plana sobre la estufa.

Para usar el quemador de puente, gire el botón del quemador hacia y seleccione el ajuste deseado. La unidad calentará la superficie frontal y el puente.

Escoja sartenes que hagan juego con el área circular/puente tanto como sea posible.

Para usar solamente la unidad de superficie frontal, gire el botón del quemador hacia y seleccione el ajuste deseado. La unidad calentará el quemador de superficie frontal.

Usted puede crear un área de calentamiento oblonga usando la combinación de la unidad posterior izquierda y el puente de la unidad frontal.

Los elementos de superficie se encienden y apagan

Los elementos de superficie se encienden y apagan para mantener la temperatura que usted ha seleccionado.

Todos los elementos de superficie cuentan con un limitador de temperatura que protege la estufa de vidrio de calentarse demasiado.

El limitador de temperatura puede apagar los elementos durante la cocción si:

- El recipiente hierve en seco.
- La base del recipiente no es plana.
- El recipiente no está centrado.
- No hay un recipiente en el elemento.

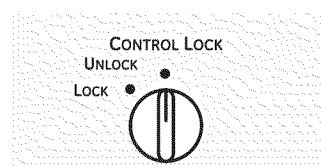
Limitador de temperatura

Cada unidad de superficie radiante tiene un limitador de temperatura.

El limitador de temperatura protege la estufa de vidrio de calentarse demasiado.

El limitador de temperatura podría hacer que la unidad entre en ciclo apagado si:

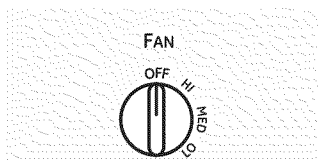
- La estufa está encendida mientras se cocina.
- La sartén hierve vacía.
- El fondo de la sartén no es plano.
- La sartén no está centrada.
- No hay sartén sobre la unidad.



Bloqueo de control de las unidades de superficie

Para activar el bloqueo de control, gire la perilla Control Lock (Bloqueo de control) a LOCK (Bloqueo). Esto no permitirá que las unidades de superficie se calienten. Una luz indicadora se encenderá para demostrar que están bloqueadas. El ventilador de corriente descendente permanecerá operable con el bloqueo de control activado.

En la posición bloqueada, la estufa producirá un sonido audible si cualquier perilla de control de unidad de superficie se activa o gira a otra posición que no sea OFF (Apagado).



Cómo operar el sistema de ventilación

El sistema de ventilación incorporado ayuda a remover los vapores de la cocina, los olores y el humo de las comidas preparadas en la estufa.

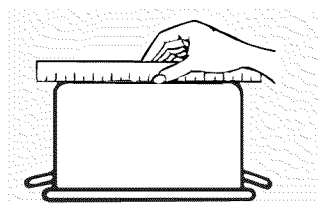
Para operar el sistema de ventilación de aire descendente (downdraft), gire el botón de control de la velocidad del ventilador de ventilación a **HI** (Alto),

MED (Medio) o **LO** (Bajo), según sea necesario.

El uso continuo del sistema de ventilación mientras cocina ayuda a mantener la cocina cómoda y menos húmeda, reduciendo los olores de cocina y la humedad que normalmente crea la necesidad frecuente de limpieza.

Cómo seleccionar los tipos de sartenes.

La información siguiente le ayudará a escoger piezas de cocina que le darán un mejor rendimiento sobre su estufa de vidrio.



Inspeccione las sartenes y cerciórese de que tengan fondos planos usando una tablilla derecha.

Acero inoxidable:

Recomendadas

Aluminio:

Peso pesado recomendadas

Buena conductividad. Residuos de aluminio a veces parecen rasguñaduras en la estufa, pero pueden removerse si se limpian inmediatamente. Debido a su bajo punto de fusión, el aluminio de peso ligero no debe usarse.

Hierro fundido cubierto con porcelana esmaltada:

Recomendadas

Siempre que las sartenes sean cubiertas totalmente con el esmaltado de porcelana, estas piezas de cocina se recomiendan. Recomendamos precaución para piezas de cocina de hierro fundido que no estén totalmente cubiertas con una capa de esmalte de porcelana, ya que podrían rasgar la estufa de vidrio-cerámica.

Fondo de cobre:

Recomendadas

El cobre podría dejar residuos que pueden lucir como rasguñaduras. Los residuos se pueden remover siempre que se limpie la inmediatamente. Sin embargo, no deje que estas sartenes de cobre hiervan en seco. El metal sobrecalentado puede fundir con las estufas de vidrio. Una sartén de fondo de cobre sobrecalentada dejará residuos que se convertirán en manchas permanentes sobre la estufa si no se remueven inmediatamente.

Vidrio-Cerámica:

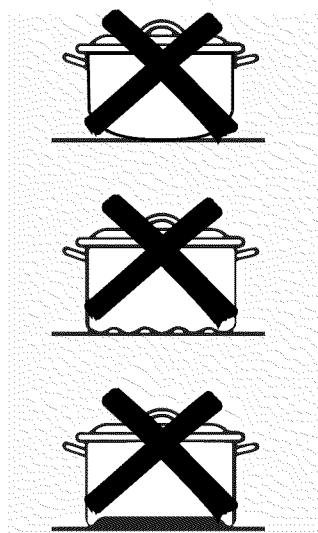
Útiles, pero no son recomendadas

Rendimiento pobre. Podrían rayar la superficie.

Cerámicas de barro:

Útiles, pero no recomendadas

Rendimiento pobre. Podrían rasguñar la superficie.



Las sartenes con fondos redondeados, curvados o con protuberancias no son recomendadas.

Para mejores resultados

- Coloque sólo recipientes secos sobre los elementos de superficie. No coloque tapas sobre los elementos de superficie, en especial tapas mojadas.



No coloque recipientes mojados sobre la estufa de vidrio.

Cuidado y limpieza de la estufa.

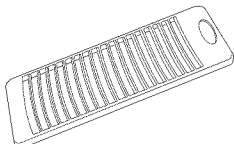
Cerciórese de que el suministro eléctrico esté suspendido y que todas las superficies están frías antes de limpiar cualquier parte de la estufa.

Cómo quitar el envoltorio de protección y la cinta de embalaje

Con cuidado tome una punta del envoltorio de protección con sus dedos y lentamente quítelo de la superficie del artefacto. No use elementos filosos para quitar el envoltorio. Quite todo el envoltorio antes de usar el artefacto por primera vez.

Para asegurarse de no dañar el acabado del producto, la mejor forma de quitar el pegamento de la cinta de empaque de los aparatos nuevos consiste en aplicar detergente para vajillas líquido. Aplique con un paño suave y deje remojar.

NOTA: Debe retirarse el adhesivo de todas las partes. Si se calienta, será imposible de quitar.



Rejilla de ventilación

Antes de limpiar la rejilla de ventilación, asegúrese de que el ventilador de salida esté apagado.

Para limpiar la rejilla de ventilación, quítela de la estufa levantándola hacia arriba y afuera. Límpiela con un paño húmedo. Si fuera necesario, la rejilla de ventilación

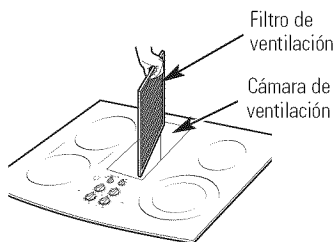
puede lavarse en el fregadero. Utilice líquido de lavaplatos para lavar. No utilice limpiadores abrasivos. Dañarán el acabado de la rejilla de ventilación. No lave la rejilla de ventilación en el lavaplatos.

Cámara y filtro de ventilación

El filtro es sostenido en su lugar en un ángulo con una protuberancia de tope. Levante el filtro y extráigalo de la abertura de ventilación diagonalmente.

Para limpiar el filtro, agítelo en agua caliente y enjabonada. Enjuáguelo bien y séquelo completamente.

No opere la ventilación sin el filtro en su lugar.



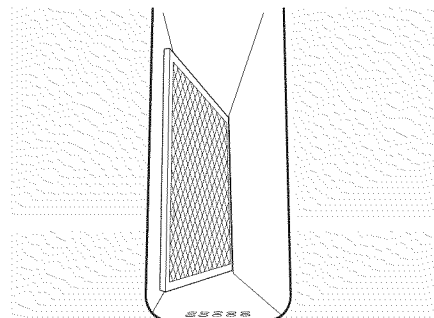
Remueva y reemplace el filtro diagonalmente a través de la abertura de ventilación.

Para ordenar filtros, por favor llámenos gratuitamente al número:

Centro de partes nacional.....800.626.2002

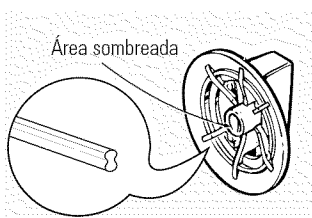
Filtro# WB02X10651

No opere la ventilación sin el filtro en su lugar.



Cuando se encuentre reemplazando el filtro, cerciórese de que descansa, en un ángulo, en los soportes en la abertura de ventilación.

Para limpiar la cámara de ventilación, use agua caliente y enjabonada. Enjuague con agua limpia y seque bien. No use limpiadores abrasivos; dañarán el acabado. Reemplace el filtro después de que lo limpie y lo seque.



Botones de control

Las perillas de control pueden quitarse para limpiarse.

Para limpiar las perillas, cerciórese de que estén en la posición de **OFF** (Apagado) Hale cada perilla hacia fuera del vástago.

Para limpiar las perillas, colóquelos en un lavaplatos o realice la limpieza con agua y jabón. Enjuague con agua limpia. Asegúrese que los interiores de las perillas estén secos antes de volver a colocarlas.

Cuando reemplace las perillas, revise que estén en la posición de **OFF** (Apagado) para garantizar la colocación correcta.

Superficies de Acero Inoxidable (en algunos modelos)

No use virutas de acero; éstas dañarán la superficie.

Para limpiar la superficie de acero inoxidable, use agua tibia con jabón o un limpiador o pulidor para acero inoxidable. Siempre limpie la superficie en la dirección del veteado. Siga las instrucciones del limpiador para limpiar la superficie de acero inoxidable.

Para consultar sobre la compra de limpiadores o lustradores de aparatos de acero inoxidable, o para encontrar la ubicación del distribuidor más cercano, llame a nuestro número gratuito:

Centro de partes nacional1.800.626.2002

ge.com



Limpie su estufa después de cada derrame. Use el limpiador de estufas de cerámica CERAMA BRYTE®.

Limpieza de uso normal diario

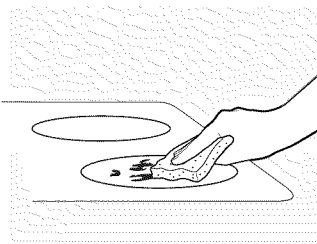
SOLAMENTE use limpiador de estufas de cerámica CERAMA BRYTE® en su estufa de vidrio. Otras cremas podrían no ser efectivas.

Para mantener y proteger la superficie de su estufa de vidrio, siga estas instrucciones:

- 1 Antes de usar la estufa por primera vez, límpiela con limpiador de estufas de cerámica CERAMA BRYTE®. Esto ayuda a proteger la parte superior y hace que la limpieza sea más fácil.
- 2 El uso diario del limpiador de estufas de cerámica CERAMA BRYTE® ayudará a mantener la estufa luciendo como nueva.

- 3 Remueva la crema de limpieza bien. Aplique unas gotas de limpiador de estufas de cerámica CERAMA BRYTE® directamente sobre la estufa.
- 4 Use una toalla de papel o una almohadilla de limpiar estufas de cerámica CERAMA BRYTE® para limpiar la superficie entera de la estufa.
- 5 Use un trapo seco o una toalla de papel para remover los residuos de la limpieza. No necesita enjuagar.

NOTA: Es muy importante que usted **NO CALIENTE** la estufa hasta que la haya limpiado completamente.



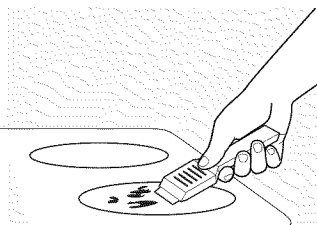
Use una almohadilla de limpiar estufas de cerámica CERAMA BRYTE® o una almohadilla de restregar azul suave multipropósitos Scotch-Brite®.

Residuo quemado encima de la superficie

⚠ ADVERTENCIA: *DAÑO a su superficie de vidrio podría ocurrir si usted usa almohadillas para restregar que no sean las incluidas con su estufa.*

- 1 Permita que la estufa se enfríe.
- 2 Riegue algunas gotas del limpiador de estufas de cerámica CERAMA BRYTE® en el área entera donde se encuentra el residuo quemado.
- 3 Usando la almohadilla de limpiar estufas de cerámica CERAMA BRYTE® incluida, restriegue el área de residuo, aplicando presión donde sea necesario.

- 4 Si cualquier residuo permanece, repita los pasos enumerados anteriormente según sea necesario.
- 5 Para protección adicional, después de que todo el residuo haya sido removido, pula la superficie entera con la crema limpiadora de estufas de cerámica CERAMA BRYTE® y con una toalla de papel.



El raspador de estufas de cerámica CERAMA BRYTE® y todos los accesorios recomendados están disponibles a través de nuestro Centro de partes. Ver las instrucciones bajo la sección "Para ordenar partes" en la próxima página.

NOTA: No use una navaja bota o mellada.

Residuo quemado pesado encima de la superficie

- 1 Permita que la estufa se enfríe.
- 2 Use un raspador de navaja única a aproximadamente un ángulo de 45° contra la superficie de vidrio y raspe el sucio. Será necesario aplicar presión al raspador para remover el residuo.
- 3 Después de raspar con el raspador, aplique algunas gotas de limpiador de estufas de cerámica CERAMA BRYTE® en el área entera del residuo quemado. Use la almohadilla de limpiar estufas de cerámica CERAMA BRYTE® para remover los residuos restantes.

- 4 Para protección adicional, después de que todo el residuo haya sido removido, pula la superficie entera con el limpiador de estufas de cerámica CERAMA BRYTE® y con una toalla de papel.

Cómo limpiar el vidrio de la estufa.

Marcas metálicas y rasguaduras

- 1 Tenga cuidado de no deslizar ollas o sartenes a través de su estufa. Ellas dejarán marcas sobre la superficie de su estufa.
Estas marcas son removibles usando el limpiador de estufas de cerámica CERAMA BRYTE® con la almohadilla de limpiar estufas de cerámica CERAMA BRYTE®.
- 2 Si permite que ollas con cubiertas finas de aluminio o de cobre hiervan en seco, la cubierta podría dejar decoloraciones negras sobre la estufa.

Estas deberían removerse inmediatamente antes de calentar la estufa de nuevo o la decoloración se convertirá en decoloraciones permanentes.

! ADVERTENCIA: Con mucho cuidado inspeccione el fondo de las sartenes en búsqueda de protuberancias que puedan rasguñar la estufa.

Superficie de vidrio—potencial de daño permanente.

Nuestras pruebas muestran que si usted está cocinando con mezclas de alta concentración de azúcar, tales como jalea o caramelo y ocurre un derrame, puede causar daño permanente a la superficie de vidrio de la estufa a no ser que sea removida inmediatamente.

Daño de derrames de azúcar y plástico derretido

- 1 Apague todas las unidades de superficie. Remueva las sartenes calientes.
- 2 Usando un guante de hornos:
 - a. Use un raspador de navaja única (Raspador de estufas de cerámica CERAMA BRYTE®) para remover el derrame a un área fría en la estufa.
 - b. Remueva el derrame con toallas de papel.

3 Cualquier resto del derrame debe dejarse hasta que la estufa se haya enfriado.

4 No use las unidades de superficie de nuevo hasta que todos los residuos hayan sido completamente removidos.

NOTA: Si ya han ocurrido hendiduras o indentaciones en la superficie de vidrio, el vidrio de la estufa tendrá que ser reemplazado. En este caso, será necesario darle servicio a la estufa.

Para ordenar partes

Para ordenar el limpiador de estufas de cerámica CERAMA BRYTE® y el raspador para estufas, por favor llámenos gratuitamente al número:

Centro de partes nacional

800.626.2002

El limpiador de estufas de cerámica CERAMA BRYTE®# WX10X300

Raspador de estufas de cerámica CERAMA BRYTE®# WX10X0302

Kit# WB64X5027
(El Kit incluye la crema y el raspador)

Almohadilla de limpiar estufas de cerámica CERAMA BRYTE® ...#WX10X350

Instrucciones de instalación

Estufa radiante de ventilación descendente

Si tiene alguna pregunta, llame al 800.GE.CARES (800.432.2737) o visite nuestro sitio en la Web: ge.com

ANTES DE COMENZAR

Lea estas instrucciones completa y cuidadosamente.

- **IMPORTANTE** – Guarde estas instrucciones para ser usadas por el inspector eléctrico.
- **IMPORTANTE** – Observe todos los códigos y ordenanzas aplicables.
- **Nota al instalador** – Cerciórese de dejar estas instrucciones con el Consumidor.
- **Nota al consumidor** – Guarde estas instrucciones para referencia futura.
- A no ser que usted sea una persona muy bien entrenada en la instalación de este producto, busque la ayuda de un instalador profesional.
- La instalación apropiada es la responsabilidad del instalador.
- Si este producto falla por una instalación inapropiada, la Garantía no cubrirá este producto.

⚠ ADVERTENCIA – Antes de comenzar la instalación, desconecte el interruptor de suministro eléctrico en el panel de servicio y cierre el mecanismo de seguridad para evitar que alguien lo conecte accidentalmente. Cuando no exista un dispositivo de cierre de seguridad, amarre un aviso visible, como una etiqueta al panel de servicio haciendo la advertencia.

INSTRUCCIONES IMPORTANTES DE SEGURIDAD

⚠ ADVERTENCIA – PARA REDUCIR EL RIESGO DE INCENDIOS, DESCARGAS ELÉCTRICAS O LESIONES PERSONALES, OBSERVE LO SIGUIENTE:

- A** El trabajo de instalación y el alambrado eléctrico debe hacerlo una persona(s) calificada conforme a todos los códigos y estándares aplicables, incluyendo una construcción aprobada por el inspector de incendios.
 - B** Suficiente aire es necesario para una combustión apropiada y para deshacerse de los gases a través de una salida de humo (chimenea) de equipos que queman combustibles para prevenir retroalimentación. Siga las recomendaciones del fabricante del equipo de calentamiento y los estándares de seguridad tales como los publicados por la Asociación nacional de protección de incendios (NFPA), y la Sociedad americana de ingenieros de calefacción, acondicionadores de aire y refrigeración (ASHRAE), y los códigos de las autoridades locales.
 - C** Cuando se encuentre cortando o taladrando en la pared o en el techo, no dañe los alambrados eléctricos u otras utilidades escondidas.
 - D** Los ventiladores conectados a conductos deben siempre estar ventilados hacia el exterior.
- La unidad debe estar conectada a tierra apropiadamente.

⚠ ADVERTENCIA – PARA REDUCIR EL RIESGO DE INCENDIOS, SOLAMENTE USE CONDUCTOS METÁLICOS.

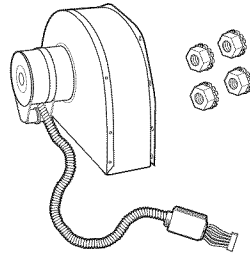
Instrucciones de instalación

DESEMPACANDO SU ESTUFA

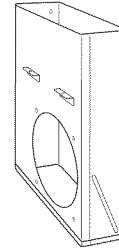
PARTES INCLUIDAS (EMPACADAS DEBAJO DE LA ESTUFA)

- Ensambladura del soplador
- Cámara del soplador
- Tuercas (4) (10-32 tuercas – con sus arandelas de cierre pegadas)
- Tornillos de plancha metálica (9) (8-18 x 3/8")
- Cinta de junta de espuma (rollo de 9 pies)
- Rejilla de ventilación
- Filtro del ventilador
- Crema de limpieza
- Esponja de restriegue o raspador (en algunos modelos)

Asegúrese que todos los materiales de empaque y cintas se hayan retirado. Esto incluye cintas sobre las perillas de control (si corresponde), cinta adhesiva, cintas de ajuste, cartón y plástico protector. Si estos materiales no se retiran se puede producir como resultado un daño sobre el electrodoméstico, una vez que el mismo fue encendido y las superficies se calientan.



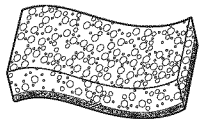
Ensambladura del soplador y tuercas de montaje (4) (10-32 tuercas—con sus arandelas de cierre pegadas)



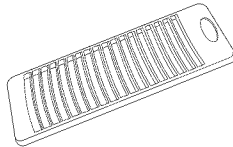
Pleno del soplador



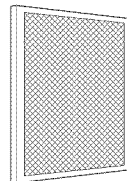
Crema de limpieza (WX10X300)



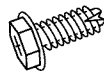
Esponja de restriegue o raspador (en algunos modelos)



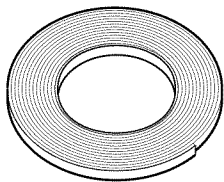
Rejilla de ventilación



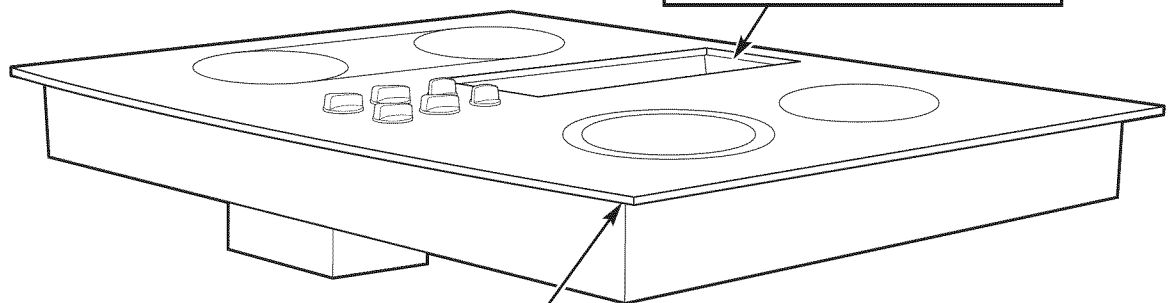
Filtro del ventilador



Tornillos de plancha metálica (9) (8-18 x 3/8")



Cinta de junta de espuma (rollo de 9 pies)



⚠ PRECAUCIÓN: EL VIDRIO ES FRÁGIL. NO CHOQUE LA ESQUINAS DEL VIDRIO DURANTE LA INSTALACIÓN.

Instrucciones de instalación

PREPARACIÓN

HERRAMIENTAS QUE NECESITARÁ

- Sierra
- Destornillador plano
- Alicates de electricista
- Cinta adhesiva de conductos
- Cinta métrica o escala
- Escuadra de carpintero
- Llave de 7/16" o juego de cubos
- Taladradora y broca
- Tornillos para hojas metálicas
- Caja de unión*
- Conducto flexible de 3/4"*
- Cable eléctrico de acuerdo con los códigos locales*
- Tuerca se alambre*
- Conductos

***NOTA:** El Kit de instalación eléctrica JXCK89 puede ordenarse por separado e incluye todas las partes necesarias para conectar la estufa a un alambrado típico.

REQUISITOS ELÉCTRICOS

Este electrodoméstico debe suplirse con el voltaje y la frecuencia apropiados, conforme se indica en estas Instrucciones de Instalación, y debe ser conectado a un ramo eléctrico conectado apropiadamente a tierra, protegido por un interruptor de circuito de 40 amperios o fusibles de dilatación de tiempo.

Todas las conexiones de alambres deben hacerse de acuerdo con los códigos locales y deben estar apropiadamente aisladas. Póngase en contacto con la compañía de utilidades local para los códigos eléctricos y ordenanzas de su gobierno. En la ausencia de códigos eléctricos locales, el National Electrical Code, ANSI/NFPA No. 70 – en su más reciente edición, que gobierna la instalación de estufas eléctricas, deben seguirse.

Usted puede obtener una copia del National Electrical Code escribiendo a:

National Fire Protection Association
Batterymarch Park
Quincy, MA 02260

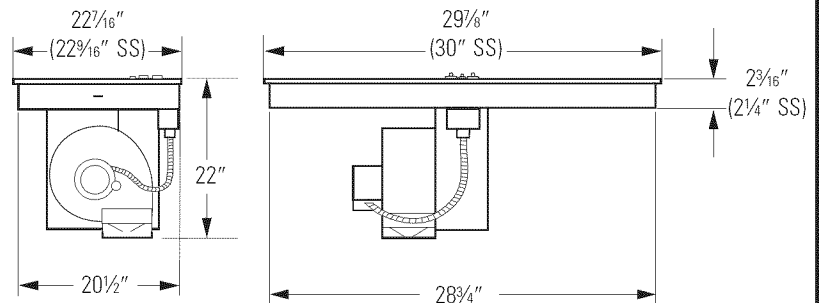
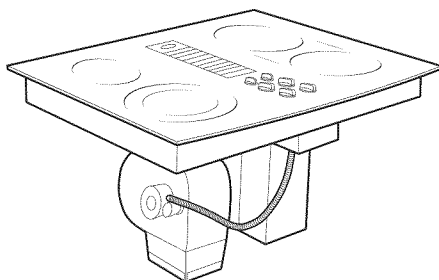
Efectivo el 1 de enero de 1996, el National Electrical Code requiere que las construcciones nuevas, pero no ya existentes, utilicen conexiones de cuatro conductores para estufas eléctricas. Cuando se encuentre instalando una estufa eléctrica en una construcción nueva, siga las instrucciones en CONSTRUCCIÓN NUEVA Y CONEXIÓN DE RAMAL DE CIRCUITO DE CUATRO CONDUCTORES.

Usted debe usar un sistema eléctrico de cables de tres alambres, de fase sencilla AC 208Y/120 voltios o 240/120 voltios, 60 Hertz con conexión a tierra por separado. Si usted conecta a alambres de aluminio, debe usar conectadoras aprobados para el uso con alambrado de aluminio.

⚠ PRECAUCIÓN: PARA SU SEGURIDAD PERSONAL, REMUEVA EL FUSIBLE DE LA CASA O EL INTERRUPTOR DE CIRCUITO ANTES DE COMENZAR LA INSTALACIÓN.

ESTUFA DE 30" (DIMENSIONES PARA REFERENCIA SOLAMENTE)

La unidad se muestra totalmente ensamblada.



La unidad debe tener ventilación hacia el exterior!

Instrucciones de instalación

PREPARACIÓN DEL GABINETE

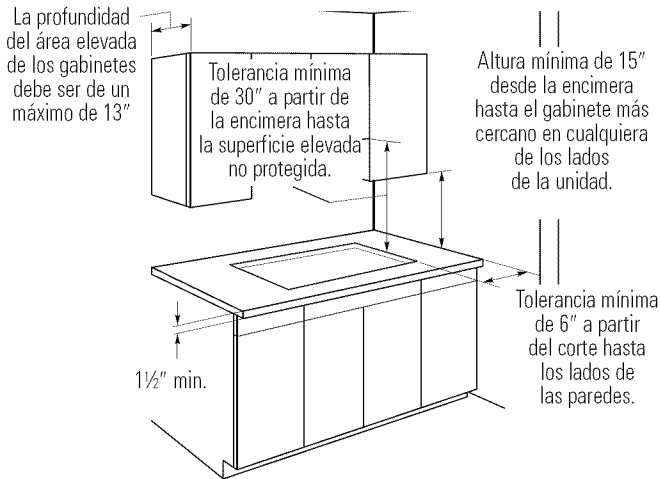
1 PREPARACIÓN PARA LA INSTALACIÓN

Posición de su estufa

La estufa está diseñada para lucir mejor cuando está centrada en un gabinete de por lo menos 30" de ancho.

La ventanilla de escape debajo de la estufa debe estar localizada entre los bajantes de la pared o entre las vigas del piso de forma que el trabajo de tubos pueda ser instalado apropiadamente.

Por lo menos 6" se deben dejar entre los extremos laterales de la estufa y las paredes adyacentes.



Evite colocar gabinetes encima de la unidad, si es posible, para reducir los peligros causados por tener que intentar alcanzar unidades de superficie calentadas. Si los gabinetes están colocados encima de la estufa, los riesgos se pueden reducir instalando una capucha de estufa que proyecte horizontalmente un mínimo de 5 pulgadas más allá del fondo de los gabinetes.

Si se usan gabinetes encima de la estufa, deje una tolerancia mínima de 30" entre la superficie de cocina y el fondo de cualquier gabinete no protegido.

Si la tolerancia entre la estufa y la gabinetes es menor de 30", el gabinete debe protegerse con una plancha retardante de llamas de por lo menos 1/4" de grueso, cubierta con una plancha metálica de acero calibre 28 o con una plancha de cobre de 0.020". La tolerancia entre la estufa y la gabinetes protegida **NUNCA DEBE SER MENOR DE 24"**.

EXCEPCIÓN: La instalación de un horno de microondas especificado o de un electrodoméstico de cocina sobre una estufa debe conformarse a las instrucciones de instalación empacadas con ese electrodoméstico.

15" mínimas deben dejarse a partir de cada lado de extremo de la estufa hasta el fondo de cualquier gabinete no directamente colocado sobre la estufa. Si la tolerancia es menor de 15", los gabinetes adyacentes deben ser de por lo menos 6" desde el lado extremo de la estufa.

2 PREPARACIÓN DEL GABINETE DE LA BASE

Esta estufa está diseñada para ajustarse fácilmente en una variedad de gabinetes. Sin embargo, algunos gabinetes podrían requerir modificaciones.

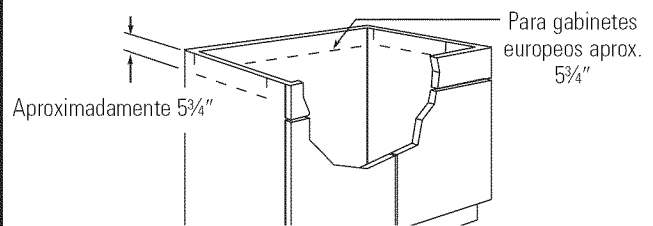
Preparando un gabinete que ajuste contra la pared

En algunos gabinetes, los lados podrían necesitar ser rebajados o cortados 5 3/4" como se muestra en la figura, y las abrazaderas de las esquinas removidas para acomodar la unidad.

En gabinetes europeos sin forma de 75 cm y 90 cm, el panel posterior podría necesitar ser rebajado hasta 5 3/4" para acomodar la unidad.

Preparando un gabinete tipo península o tipo isla

En gabinetes tipo península o isla, los lados podrían necesitar ser rebajados o cortados, y las abrazaderas de las esquinas removidas para acomodar la unidad.

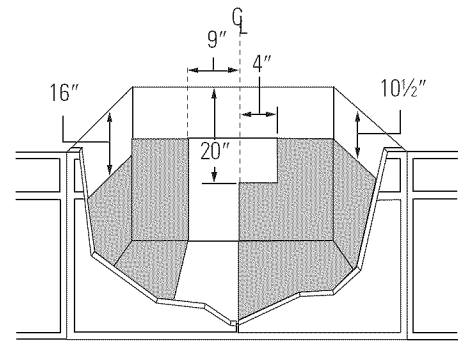


3 PREPARACIÓN RÁPIDA DE UNA CAJA DE UNIÓN

IMPORTANTE - PARA SEGURIDAD PERSONAL, REMUEVA EL FUSIBLE DE LA CASA O ABRA EL INTERRUPTOR DE CIRCUITO ANTES DE PREPARAR LA CAJA DE UNIÓN.

Instale una caja de unión aprobada dentro del área sombreada en el diagrama que se muestra en la ilustración. La caja de unión puede estar a por lo menos 10 1/2" del gabinete superior.

Pase los conductores desde el alambrado de la residencia hasta la caja de unión de acuerdo con los códigos eléctricos.

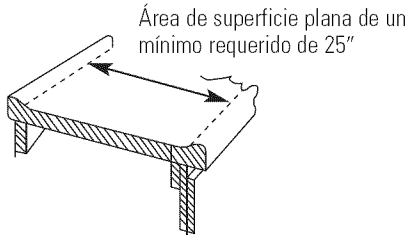


Instrucciones de instalación

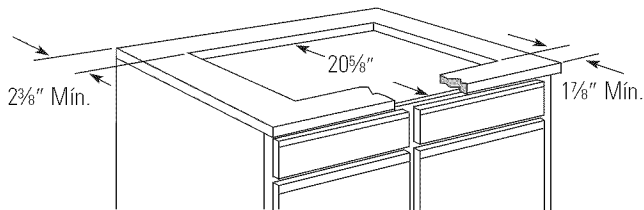
CORTES DE PREPARACIÓN DEL GABINETE

4 PREPARANDO LA ENCIMERA

La encimera debe tener una superficie plana profunda para acomodar la estufa y la ventilación. Las encimeras con un extremo frontal rodado y "backsplash" puede no proporcionar el área de superficie plana requerida.

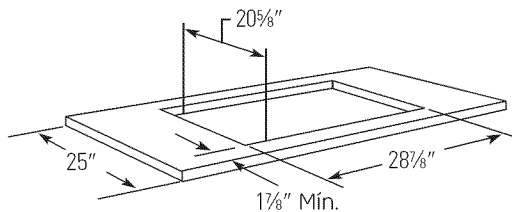


La tolerancia entre el frente interno del gabinete y la parte posterior del corte en la encimera debe ser de $20\frac{5}{8}$ " para poder acomodar la profundidad de la estufa.



Un área plana de $1/2$ " de ancho se requiere alrededor del extremo de la abertura para soportar la unidad. La unidad debe ser nivelada y sentarse derecha en la abertura de la encimera.

Con cuidado corte la abertura de la encimera de acuerdo con las dimensiones mostradas en la ilustración. Cerciérese de que la abertura es cortada derecha, con los lados paralelos entre sí y con la parte posterior exactamente perpendicular a los lados.

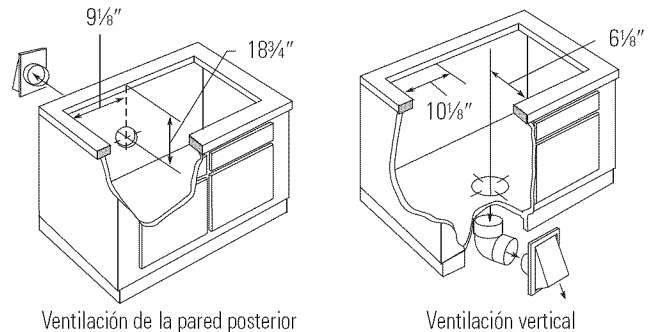


5 PREPARACIONES PARA LOS CONDUCTOS

NOTA: El trabajo de conductos DEBE tener ventilación hacia el exterior. NO VENTILE hacia las paredes, techo, esquinas, áticos o cualquier otro lugar cerrado.

Corte un agujero en la pared del gabinete o en el piso del gabinete según sea apropiado para su instalación. Cerciérese de que los tubos de escape están localizados entre los bajantes de la pared o las vigas del piso.

NOTA: Cuando se encuentre cortando o taladrando en la pared o en el techo, no dañe los alambros eléctricos u otras utilidades escondidas.

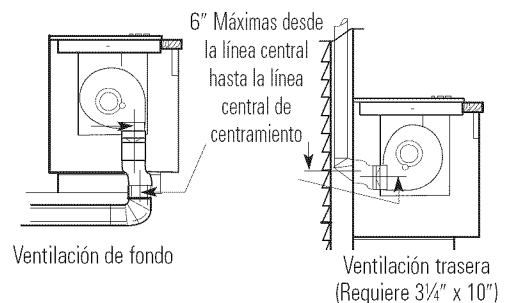


6 ALINEACIÓN DE LOS CONDUCTOS DEL SOPLADOR

En general, no instamos al uso de conductos flexibles porque éste puede causar severas restricciones del flujo de aire. Sin embargo, si la salida del soplador y la localización en la pared o en el piso NO representa un problema de alineación, entonces usted puede usar conductos flexibles METÁLICOS para adaptar la compensación. Un buen centramiento sin necesidad de conductos flexibles es lo preferido.

NOTA:

- No exceda la adaptación máxima recomendada de 6".
- No permita que el conducto flexible se doble o que colapse.
- Alargue el conducto flexible tanto como sea posible para evitar la corrugación tanto como sea posible.

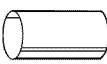

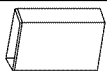

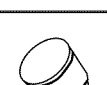

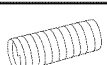
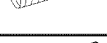
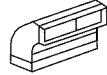
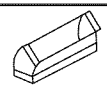
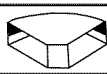




Un rectángulo de $3\frac{1}{4}$ " x 10" a una transición de conducto redondo de 6" está disponible en su tienda de suministros para construcción local.

NOTA: Las ilustraciones son simplemente para que usted planifique.

Instrucciones de instalación

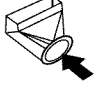

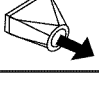
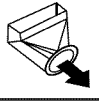
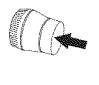
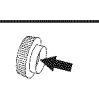


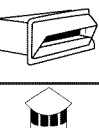
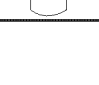
CÁLCULOS DE LOS CONDUCTOS

Calcule la longitud de conducto equivalente total		
Piezas de conducto	Longitud equivalente* x Número usado =	Longitud equivalente
	Redondos rectos de 5" 2,7 Pies x (Pies)† =	Pies
	Redondos rectos de 6" 1 Pies x (Pies)† =	Pies
	Recto 3/4" x 10" 1 Pies x (Pies)† =	Pies
	Codo de 5", 90° 37 Pies x () =	Pies
	Codo de 6", 90° 12 Pies x () =	Pies
	Codo de 5", 45° 18 Pies x () =	Pies
	Codo de 6", 45° 7 Pies x () =	Pies
	Adaptador de encentramiento de metal flexible 34 Pies x () =	Pies
	Codo de 90° 3/4" x 10" 14 Pies x () =	Pies
	Codo de 45° 3/4" x 10" 8 Pies x () =	Pies
	Codo plano de 90° 3/4" x 10" 33 Pies x () =	Pies
	Redondos de 5" a transición de 3/4" x 10" 3 Pies x () =	Pies
	Redondos de 6" a transición de 3/4" x 10" 2 Pies x () =	Pies
Columna subtotal 1 =		Pies

*Las longitudes equivalentes de las piezas de conducto están basadas en pruebas reales y reflejan los requisitos para un buen rendimiento de ventilación con cualquier estufa de flujo de aire descendente.

†Mida y liste los pies de los conductos rectos usados. Cuente y liste la cantidad de todos los otros pedazos de conducto para el "Número usado" de cada tipo.

IMPORTANTE:
Para eficiencia máxima, use la porción de conducto más corta y más recta posible, con la menor cantidad de accesorios posible. **Para un rendimiento satisfactorio, el conducto no debe exceder 100 pies de longitud equivalente.**
El rendimiento de la ventilación es mejorada usando conductos de mayor diámetro.

Piezas de conducto	Longitud equivalente* x Número usado =	Longitud equivalente
	Redondo de 5" a transición de 3/4" x 10" Codo de 90° 37 Pies x () =	Pies
	Redondo de 6" a transición de 3/4" x 10" Codo de 90° 4 Pies x () =	Pies
	3/4" x 10" a transición redonda de 6" 2 Pies x () =	Pies
	3/4" x 10" a transición redonda de 6" Codo de 90 4 Pies x () =	Pies
	Redondo de 5" convergente a transición redonda de 6" 6 Pies x () =	Pies
	Cuello redondo de 5" a transición redonda de 6" 13 Pies x () =	Pies
	Tapa redonda de pared de 5" con regulador de tiro 84 Pies x () =	Pies
	Tapa redonda de pared de 6" con regulador de tiro 24 Pies x () =	Pies
	Tapa de pared de 3/4" x 10" con regulador de tiro 24 Pies x () =	Pies
	Tapa de techo redonda de 6" 33 Pies x () =	Pies
Columna subtotal 2 =		Pies
Columna subtotal 1 =		Pies
CONDUCTOS TOTALES =		Pies

No debe exceder los 100 pies.

Si se utiliza un conducto de ventilación metálico, se deberán duplicar todos los valores en pies equivalentes en la tabla. El conducto metálico flexible deberá ser recto, liso y se deberá extender lo máximo posible.

NO USE conductos de plástico flexibles.

La instalación de la ventilación no debe exceder la longitud equivalente a 100 pies.

El extractor se califica a **400 pies cúbicos por minuto** a 0,1 pulgada de contrapresión de agua.

Instrucciones de instalación

RANGOS DEL SOPLADOR DE ESCAPE

ADVERTENCIA DE SEGURIDAD DEL SOPLADOR DE ESCAPE

Suficiente aire es necesario para una combustión apropiada y para deshacerse de los gases a través de una salida de humo (chimenea) de equipos que queman combustibles para prevenir retroalimentación. Siga las recomendaciones del fabricante del equipo de calentamiento y los estándares de seguridad tales como los publicados por la Asociación nacional de protección de incendios (NFPA), y la Sociedad americana de ingenieros de calefacción, acondicionadores de aire y refrigeración (ASHRAE), y los códigos de las autoridades locales.

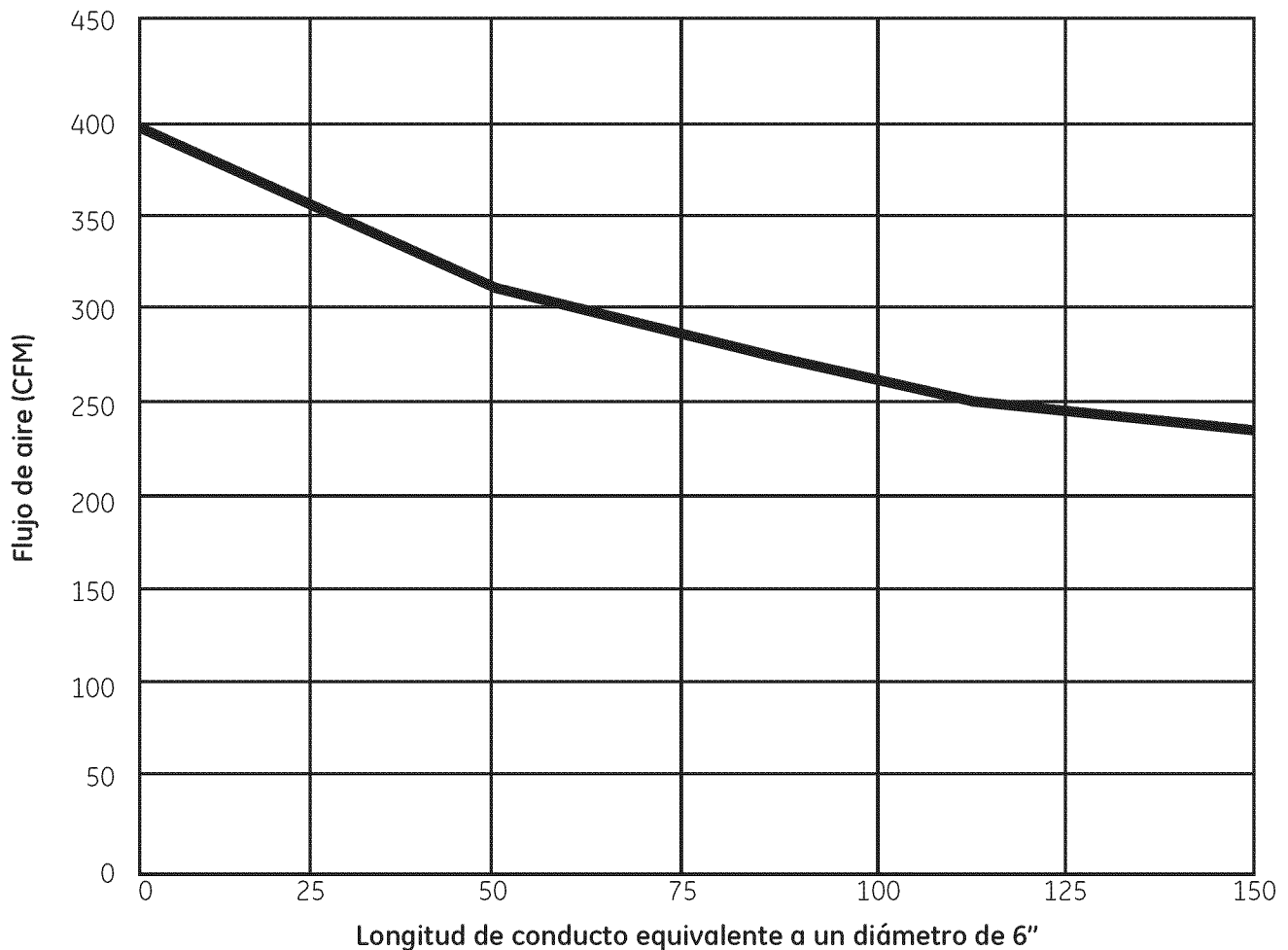
NOTA: La salida del soplador de escape es aproximadamente 400 CFM (pies cúbicos por minutos) sin conductos. Cada instalación es diferente y el conducto afecta la salida del soplador según el caso. El CFM del soplador de escape puede aproximarse usando la gráfica más abajo.

Paso 1: Calcule la "longitud de conducto equivalente" usando la tabla de "CÁLCULOS DE CONDUCTOS" en estas instrucciones para su instalación.

Paso 2: Encuentre el punto de intersección aproximado de la curva de rendimiento de su soplador de escape con la longitud de conducto equivalente para estimar la salida del soplador máxima para su instalación.

Ejemplos: 50 pies equivalentes de conducto tiene aproximadamente 320 CFM.
100 pies equivalentes de conducto tiene aproximadamente 265 CFM.

CFM del soplador de escape de la estufa de ventilación de aire descendente (downdraft)



Instrucciones de instalación

INSTALACIÓN DE LOS CONDUCTOS

(Nota: Solamente con el propósito de planificación.)

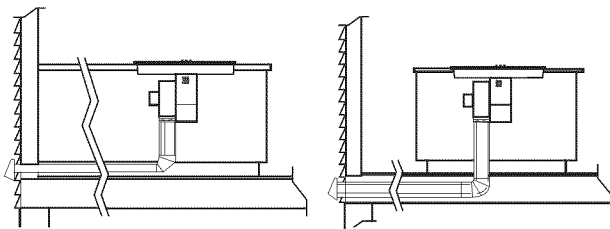
7 CÓMO INSTALAR LOS CONDUCTOS

Use conductos de aluminio o galvanizados en 6" o 3¼" x 10" en tamaño, o una combinación de ambos.

Conductos de PVC se deben usar si se están instalando bajo una capa de concreto vaciado.

NOTA: Los códigos de construcción locales se deben obedecer en especificar el tipo aprobado y la planificación de TODOS los conductos usados.

Siempre use una tapa con regulador de tiro de techo o de pared. Las tapas de pared para electrodomésticos de lavandería no se deben usar NUNCA.



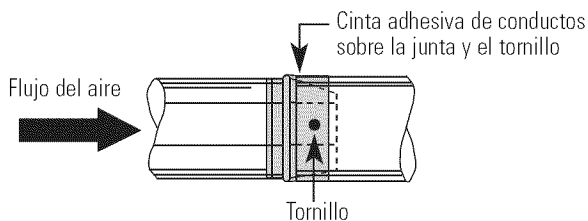
A través del espacio de la base del gabinete

Entre las vigas del piso

Ventilación descendente

Instale el trabajo de conductos, haciendo que la dirección de las conexiones vaya de macho a hembra para el flujo de aire, como se muestra. Asegure todas las juntas con los tornillos para planchas metálicas y con cinta adhesiva de conductos para asegurar la hermeticidad.

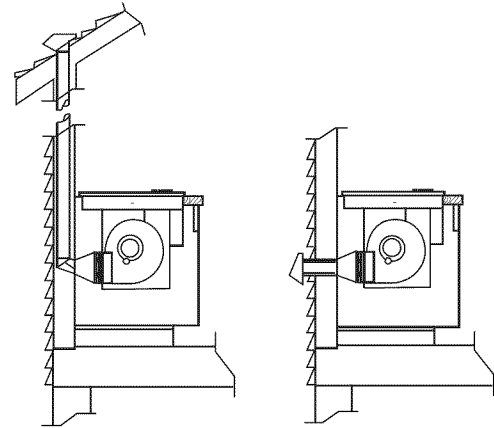
Para eficiencia máxima, use la porción de conducto más corta y más recta posible, con la menor cantidad de accesorios posible.



Para un rendimiento satisfactorio, el conducto no debe exceder 100 pies de longitud equivalente. Refiérase al cuadro de los "CÁLCULOS DE LA TUBERÍA" para longitudes equivalentes. Use el cuadro para calcular la longitud equivalente total de los conductos.

INSTALACIÓN OPCIONAL: VENTILACIÓN POR LA PARED POSTERIOR

Para corrientes de CONDUCTO CORTO se puede utilizar el conducto circular de 5 pulgadas pero los mejores resultados se obtendrán con uno de 3,25 pulgadas x 10 pulgadas o con un sistema de conductos circulares de 6 pulgadas.



En el interior de la pared hacia el techo

Directamente hacia el exterior

Ventilación por la pared posterior

Para convertir la dirección del soplador de escape, remueva las cuatro tuercas detrás del filtro que sostiene el soplador y el protector de alambre.

Rote el soplador y reinstale a la cámara de ventilación, como se muestra encima. Apriete de nuevo las tuercas, pero no las apriete demasiado.

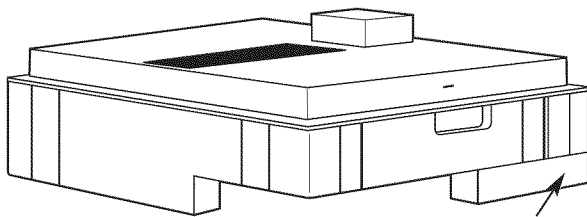
Instrucciones de instalación

CÓMO DESEMPACAR LA ESTUFA / INSTALAR LA JUNTA

8 CÓMO INSTALAR LA JUNTA DE ESPUMA

No instale la estufa en la encimera sin haber instalado la junta de espuma como se muestra. Esta protege el extremo inferior del vidrio de la encimera y sella la estufa contra derrames.

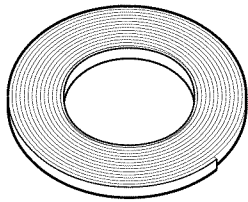
Remueva la estufa junto a sus almohadillas de empaque de la caja de envío. Remueva el bloque de envío de la abertura de ventilación descendente (downdraft) y colóquela debajo de la almohadilla de envío para proporcionar apoyo de nivel.



Centre el bloque de envío de la ventilación debajo de la almohadilla de envío para proporcionar apoyo de nivel.

⚠ PRECAUCIÓN: EL VIDRIO ES FRÁGIL. NO GOLPEE LOS EXTREMOS DEL VIDRIO DURANTE LA INSTALACIÓN.

Localice la cinta de junta de espuma incluida con su estufa.



Pele la parte posterior blanca para instalar la cinta de la junta de espuma en el lado del fondo del vidrio de la estufa como se muestra.

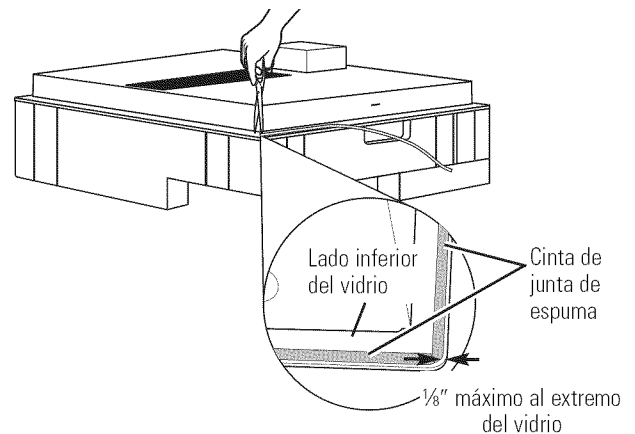
Nota: En el modelo de acero inoxidable PP989S, aplique la cinta de espuma únicamente alrededor del borde exterior del vidrio en los lados y parte posterior de la unidad.

Notas sobre la instalación de la junta de espuma:

- La cinta de junta de espuma debería ser instalada dentro de 1/8" del extremo del vidrio. No alargue o doble la cinta de junta de espuma.

⚠ PRECAUCIÓN: No instalar la cinta de junta de espuma aumenta el potencia de que el vidrio de la estufa se rompa cuando se esté instalando, especialmente en encimeras Corian® o de granito.

- Use cuidado extremo de no alargar la cinta de junta de espuma mientras la instala o no permanecerá en su lugar.
- No coloque la cinta de junta de espuma sobre los bordes metálicos.
- Empalme los extremos de la cinta de junta de espuma en cada esquina sin que una quede encima de la otra.
- Cubra todo el marco con la cinta de junta de espuma sin alargarla.
- Corte las esquinas externas de la cinta de junta de espuma ligeramente si fuera necesario para que luzca bien.

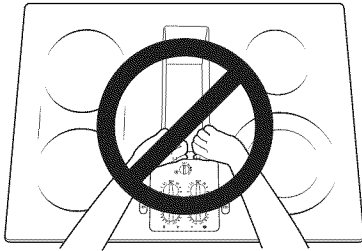


- No rasguñe el vidrio mientras corta la cinta de junta de espuma.

Instrucciones de instalación

CÓMO INSTALAR LA ESTUFA

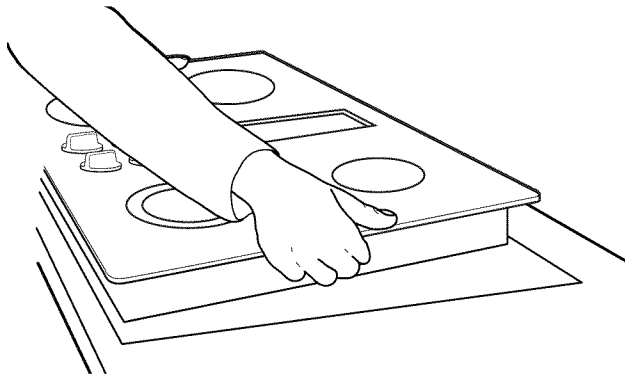
9 CÓMO INSTALAR LA ESTUFA



⚠ PRECAUCIÓN:
NO LEVANTE POR
LA ABERTURA DE
VENTILACIÓN.

Levante la estufa por los extremos del lado del vidrio como se muestra.

NOTA: No use la abertura de ventilación para levantar o mover la estufa de posición.



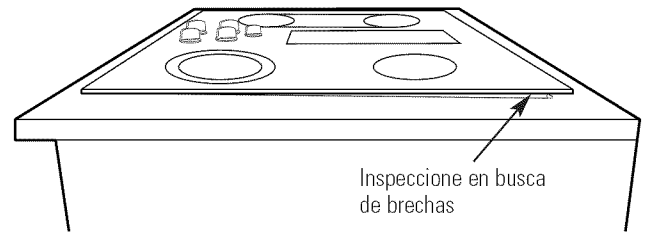
Baje la estufa hacia la abertura en la encimera, guiándola hasta llegar a su posición. El vidrio es frágil—no permita que se caiga sobre la encimera. Apoye desde el lado inferior y baje con cuidado.

Cuidadosamente remueva sus dedos de una esquina a la vez para bajar la estufa hasta su posición.

NOTA: No use RTV de silicona o masilla para unir el vidrio de la estufa a la encimera.

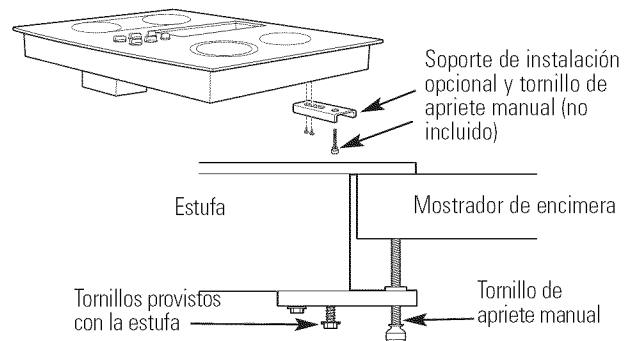
10 CÓMO INSPECCIONAR LO PLANO

Inspeccione el vidrio de la estufa en busca de rocas o brechas con protuberancias en todos los lados de la superficie de la encimera. No intente forzar el vidrio a moldearse a la encimera.



11 CÓMO COLOCAR LOS SOPORTES DE INSTALACIÓN OPCIONALES

NOTA: Verifique que el vidrio esté plano en el paso 9 antes de colocar los soportes de instalación opcionales.



Para solicitar soportes de instalación opcionales/tornillos de apriete, llame al Centro Nacional de Piezas al 800.626.2002.

Solicite dos de cada pieza: WB02X11331 Soporte
WB01X10353 Tornillo

Para colocar soportes de instalación opcionales: Quite los 2 tornillos a ambos lados bajo la estufa. Alinee el soporte de instalación opcional bajo la estufa y reinstale los tornillos a través de la ranura del soporte.

Haga esto en ambos lados de la estufa.

Introduzca el tornillo de apriete a través del orificio del soporte y ajuste para fijar la estufa al mostrador de encimera. Repita en el otro lado.

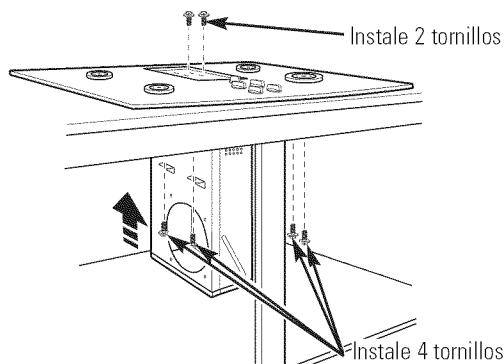
IMPORTANTE: Gire el tornillo de apriete hasta que toque la parte inferior de la estufa. No ajuste de más.

Instrucciones de instalación

CÓMO INSTALAR LA ESTUFA

12 CÓMO INSTALAR LA CÁMARA DEL SOPLADOR DE LA ESTUFA

Deslice la cámara, con la abertura del soplador del lado izquierdo, en la abertura en el fondo de la estufa. Empuje la cámara hasta que se detenga cuando la cámara haga contacto con el fondo de la estufa, y la cámara encaje en su lugar. (Es posible que usted tenga que mover la cámara hacia adelante y hacia atrás para encontrar su lugar exacto.)

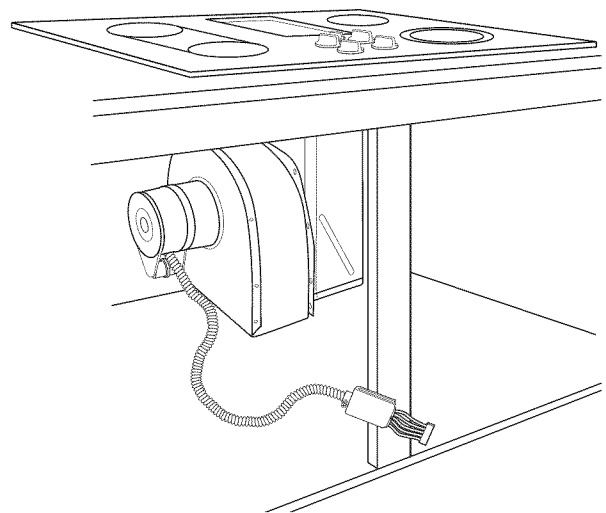


Asegure la cámara al fondo de la estufa, en cada lado, usando los cuatro (4) tornillos proporcionados. Luego asegure la cámara a la estufa, a partir del lado superior, usando los dos (2) tornillos proporcionados.

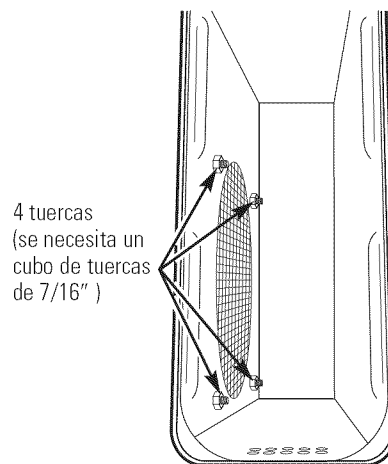
13 CÓMO INSTALAR LA CÁMARA DEL SOPLADOR

Orienté la abertura de descarga del soplador hasta que iguale el conducto en los Pasos 6 y 7. Deslice las cuatro tachuelas roscadas en el lado del alojamiento del soplador en los cuatro agujeros en el lado de la cámara.

NOTA: Ver el Paso 14 para la instalación del conducto de transición del soplador. Es posible que sea más fácil instalar el conducto de transición al soplador antes de instalar el soplador a la cámara.



A partir de la abertura de ventilación en la parte superior de la estufa, apriete la ensambladura del soplador de manera firme a la cámara con cuatro (4) tuercas.

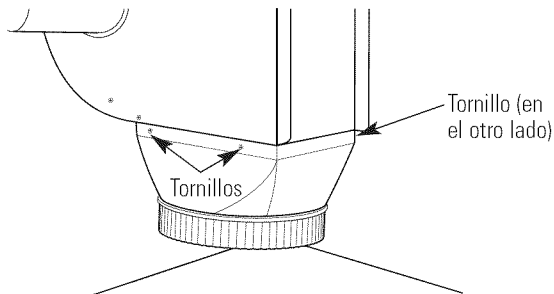


Instrucciones de instalación

CÓMO PEGAR UNA TRANSICIÓN DE SOPLADOR

14 CÓMO PEGAR UNA TRANSICIÓN DE SOPLADOR

Use un conducto de transición de soplador para todas las instalaciones de conductos de flujo de aire descendente para conectar las piezas de conducto de 6" redondas. Este conducto rectángulo de 3¼" x 10" a conducto de 6" redondo de transición está disponible en su ferretería local.



Remueva la empaquetadura de cartón en la salida del soplador.

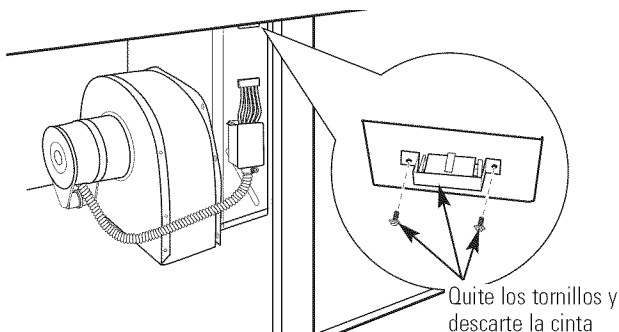
Instale el conducto de transición a la salida del soplador. Asegure toda las juntas con cinta adhesiva de conducto para asegurar hermeticidad.

15 CÓMO CONECTAR LOS CONDUCTOS

Conecte el conducto preparado en los Pasos 5 y 6 al conducto de transición del soplador.

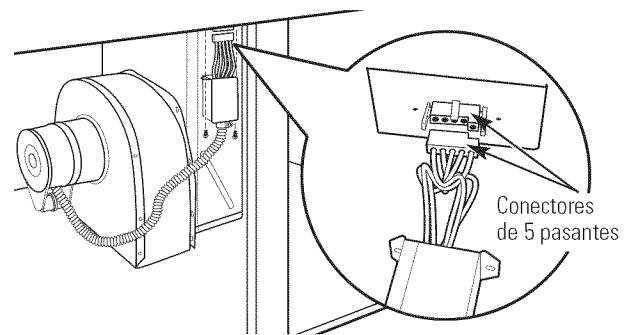
16 CONEXIONES ELÉCTRICAS DEL SOPLADOR

- Afloje los tornillos y remueva y descarte el tirante metálico que cubre el conector de 5 pasadores. Guarde los tornillos para la reinstalación más tarde.

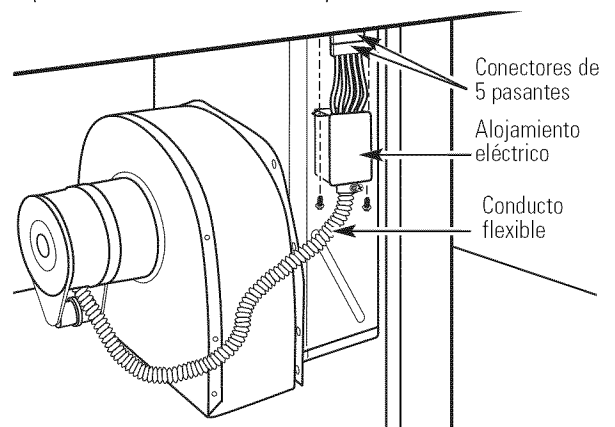


16 CONEXIONES ELÉCTRICAS DEL SOPLADOR (cont.)

- Conecte el tapón de 5 pasadores en la ensambladura para combinar con el receptáculo de 5 pasadores en el fondo del alojamiento alambrado.



- Doble todos los alambres en el alojamiento eléctrico. Asegure el alojamiento con los tornillos removidos anteriormente, cerciorándose de que no quedaron alambres atrapados.



Instrucciones de instalación

CONEXIONES ELÉCTRICAS

17 ANTES DE HACER CONEXIONES ELÉCTRICAS

Nota al electricista: Los conductores proporcionados con este electrodoméstico son reconocidos por la UL para conexiones eléctricas residenciales de calibres altos. El aislamiento de estos conductores es considerado a temperaturas mucho mayores que las esperadas en residencias. La capacidad de carga actual de un conductor es determinado por el calibre del cable y también por la temperatura considerada del aislamiento alrededor del cable.

Alambre de aluminio - ⚠️ ADVERTENCIA: UNA CONEXIÓN DEL ALAMBRE DE ALUMINIO RESIDENCIAL INAPROPIADA A CONDUCTORES DE COBRE PUEDE RESULTAR EN PROBLEMAS SERIOS.

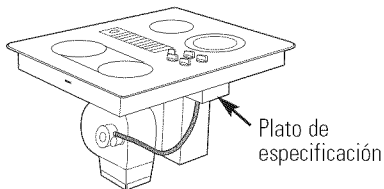
Una los alambres de aluminio y los alambres de cobre usando conectores especialmente diseñados y reconocidos por UL para unir cobre y aluminio. Siga el procedimiento recomendado por el fabricante de los conectores muy de cerca.

Onda de servicio - Deje una onda en el alambre de la estufa de forma tal que la estufa pueda ser levantada 12 pulgadas sin tener que desconectarse del alambrado.

REQUISITOS ELÉCTRICOS*

# Modelo	Voltaje	Frecuencia	KW
PP989	120/240V	60Hz	9.1KW
	120/208V	60Hz	6.9KW

*Para referencia solamente. Verifique con la plato de especificación del producto.

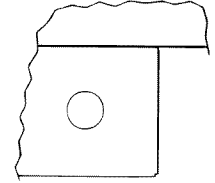


Plato de especificación

El Kit de instalación eléctrica **JXCK89** puede ordenarse por separado e incluye todas las partes necesarias para conectar la estufa a un alambrado típico.

18 INSTALE UN CONDUCTO FLEXIBLE DE 3/4"

Remueva los tornillos que sostienen la cubierta del compartimiento del alambre y remueva la cubierta.



Alimente los conductores para el suministro eléctrico a través del conducto; cerciórese de dejar suficiente longitud para conectar apropiadamente estos conductores a los conductores eléctricos de la estufa.

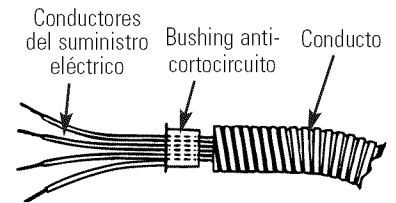
Envuelva los conductores a través del bushing o cojinete anti-cortocircuitos y asiente firmemente el bushing en el extremo del conducto.

Alimente los conductores a través del agujero en el compartimiento de alambre.

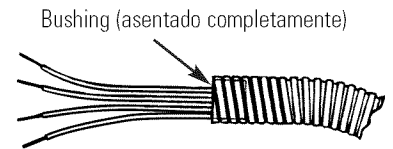
Conforme lo permitan los códigos locales, compre un conector de conducto apropiado para el tamaño del conducto. Inserte el conducto a través del conector y péguelo a la cubierta. Deje un huelgo suficiente para poder pegar los cables fácilmente con los cables de la estufa.

Nota: No instale la estufa sin un conector de conducto certificado. El conector de conducto debería instalarse antes de reinstalar la cubierta de cables.

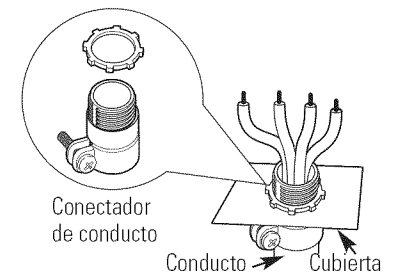
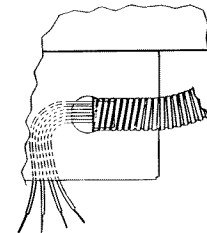
Cuando haya completado el proceso, reinstale la cubierta del compartimiento de los cables.



Conductores del suministro eléctrico Bushing anti-cortocircuito Conducto



Bushing (asentado completamente)



Conector de conducto Conducto Cubierta

Instrucciones de instalación

CONEXIONES ELÉCTRICAS

19 CÓMO HACER LAS CONEXIONES ELÉCTRICAS

Efectivo el 1 de enero de 1996, el National Electrical Code requiere las construcciones nuevas, pero no ya existentes, utilicen conexiones de cuatro conductores para estufas eléctricas. Cuando se encuentre instalando una estufa eléctrica en una construcción nueva, siga las instrucciones en CONSTRUCCIÓN NUEVA Y CONEXIÓN DE RAMAL DE CIRCUITO DE CUATRO CONDUCTORES.

Usted debe usar un sistema eléctrico de cables de tres alambres, de fase sencilla AC 208Y/120 voltio o 240/120 voltio, 60 Hertz con tierra por separado. Si usted conecta a alambres de aluminio, usted debe usar conectadores aprobados para el uso con alambrado de aluminio.

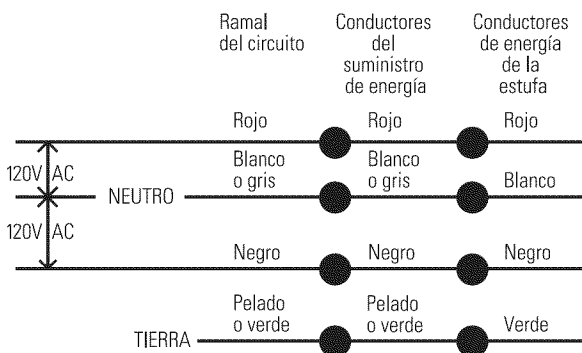
Construcciones nuevas y conexión de circuito de ramal de cuatro conductores

- Cuando instale una construcción nueva, o
- Cuando instale una casa móvil, o
- Cuando los códigos locales no permitan conexión a tierra a través del neutro:

Circuito de ramal de 4 conductores

Cuando conecte la estufa a un circuito de cuatro conductores o filamentos, conecte los conductores rojos de la estufa y el suministro eléctrico al conductor rojo del ramal del circuito; conecte los conectadores negros entre sí. Conecte el conductor blanco de la estufa al suministro eléctrico y a los conductores neutros del ramal del circuito, los que son blancos o grises. Conecte a tierra la unidad conectando el conductor verde de la estufa a los conductores pelados o verdes del suministro eléctrico y del ramal de circuito (conductores de conexión a tierra).

Circuito de ramal de 4 conductores



19 CÓMO HACER LAS CONEXIONES ELÉCTRICAS (cont.)

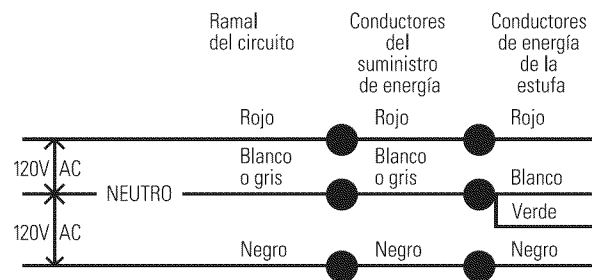
Conexión de ramal de circuito de tres conductores

- Cuando se encuentre instalando en una construcción existente construida antes del 1 de enero de 1996, y si así lo permiten los códigos locales:

Conexión de ramal de circuito de 3 conductores

Cuando conecte la estufa a un circuito de 3 conductores, conecte los conductores rojos de la estufa y el suministro eléctrico al conductor rojo del ramal del circuito; conecte los conductores negros entre sí. Conecte los conductores verdes y blancos de la estufa al suministro eléctrico y a los conductores neutros del ramal del circuito eléctrico, que son blancos o grises.

Circuito de ramal de 3 conductores



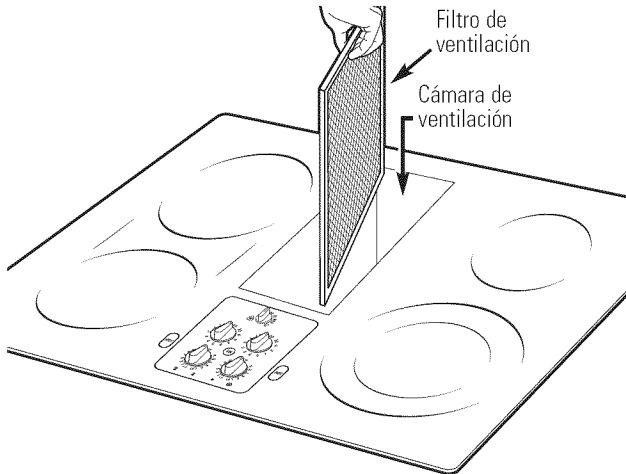
Instrucciones de instalación

ENSAMBLAJE FINAL

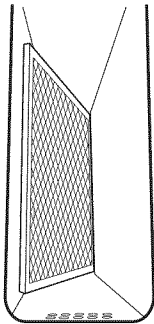
20 CÓMO INSTALAR EL FILTRO DE FLUJO DOWNDRAFT Y LA PARRILLA DE VENTILACIÓN

No opere la ventilación sin el filtro en su lugar.

- Coloque el filtro diagonalmente a través de la abertura de ventilación.



- Cerciórese de que el filtro descansa, en un ángulo, en los soportes de la abertura de ventilación.



- Cuidadosamente coloque la parrilla de ventilación en la abertura de ventilación de aire descendente (downdraft).

INSPECCIONE LA OPERACIÓN DE VENTILACIÓN DE AIRE DESCENDENTE (DOWNDRAFT)

- Gire el control de velocidad del ventilador de ventilación a la posición **HI** (Alto), **MED** (Medio) y **LO** (Bajo), para cerciorarse de que todas las velocidades operan correctamente.

Antes de llamar para solicitar servicio...

Ideas sobre la identificación y solución de problemas – ¡Ahorre tiempo y dinero! Revise esta tabla primero y es posible que no necesite llamarnos en busca de servicio.

Problema	Causas posibles	Qué hacer
El agua no hierve		<ul style="list-style-type: none"> Cubra la sartén con una tapa. Apague el ventilador (Posición OFF) hasta que el agua comience a hervir.
Las unidades de superficie no se mantienen hirviendo o la cocción es lenta	Instrumentos de cocina inapropiados siendo usados.	<ul style="list-style-type: none"> Los fondos de las sartenes deberían ser planos, de peso considerable y del mismo diámetro que la superficie de cocina seleccionada.
Las unidades de superficie no funcionan apropiadamente	Un fusible en su casa podría haberse volado o el interruptor de circuito se aterrizó.	<ul style="list-style-type: none"> Reemplace el fusible o reajuste el interruptor de circuitos.
	Los controles de la estufa están colocados inapropiadamente.	<ul style="list-style-type: none"> Inspeccione que el control correcto haya sido seleccionado para la unidad de superficie que usted seleccionó.
Rasguños diminutos o marcas de metal (podrían parecer grietas) o abrasiones sobre la superficie de vidrio de la estufa radiante	Métodos de limpieza incorrectos siendo usados.	<ul style="list-style-type: none"> Ver la sección <i>Cómo limpiar el vidrio de la estufa</i>.
	Sartenes con el fondo áspero están siendo usadas o hubo partículas gruesas (sal o arena) entre la sartén y la superficie de la estufa.	<ul style="list-style-type: none"> Cerciórese de que los fondos de las sartenes y que las sartenes mismas estén limpias antes de usar. Use sartenes con fondos suaves. Las rasgaduras diminutas no son removibles pero se convierten en más y más pequeñas al ser limpiadas y al pasar el tiempo.
	La sartén se ha deslizado a través de la superficie de la estufa.	
Áreas de decoloración o rayas oscuras en la estufa	Sartenes inapropiadas siendo usadas.	<ul style="list-style-type: none"> Las marcas de sartenes de aluminio y de cobre, así como los depósitos minerales del agua y de los alimentos pueden removerse usando la crema de limpieza.
	Superficies calientes en un modelo con una estufa de color pálido.	<ul style="list-style-type: none"> Esto es normal. La superficie podría parecer decolorada cuando está caliente. Esto es temporal y desaparecerán conforme el vidrio se enfría.
	Derrames de comida que no se limpiaron hasta el siguiente uso.	<ul style="list-style-type: none"> Lea la sección de <i>Limpieza de la cocina de vidrio</i>.
	Uso de métodos incorrectos de limpieza.	<ul style="list-style-type: none"> Use los procedimientos de limpieza recomendados.
Mezclas de azúcar caliente o plástico se derritió sobre la superficie	La sartén caliente se puso en contacto con estas sustancias.	<ul style="list-style-type: none"> Consulte la sección <i>Superficie de vidrio—potencial de daño permanente</i> en la sección <i>Cómo limpiar la cubierta de vidrio de la estufa</i>.

Instrucciones de seguridad

Instrucciones de operación

Cuidado y limpieza

Solución e identificación de averías

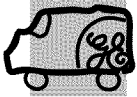
Apoyo al consumidor

Problema	Causas posibles	Qué hacer
Picadura (o hendidura) de la cocina	Mezcla de azúcar caliente derramada o plástico derretido en la cocina.	<ul style="list-style-type: none"> Llame a un técnico calificado para su reemplazo.
La cocina emite un sonido que se puede escuchar	La cocina está bloqueada.	<ul style="list-style-type: none"> Asegúrese de que el Selector de Control de Bloqueo (Control Lock Selector) esté en UNLOCK (Desbloqueo).
Ciclos entre apagado y encendido en las unidades de superficie	Sartenes inapropiadas siendo usadas.	<ul style="list-style-type: none"> Use solamente piezas de cocina planas para minimizar los ciclos.
La estufa se siente caliente	Sartenes inapropiadas siendo usadas.	<ul style="list-style-type: none"> La superficie de vidrio de la estufa podría parecer más caliente de lo que usted acostumbra a experimentar. Esto es normal. Use sartenes que sean absolutamente planas.
El botón de control no gira	Los controles de la estufa están ajustados inapropiadamente.	<ul style="list-style-type: none"> Cuando el botón está en la posición OFF (apagado), el botón debe empujarse hacia abajo antes de ser girado. Cuando el botón está en cualquier otra posición, puede girarse sin empujarse.
Ventilación deficiente	Filtro tapado.	<ul style="list-style-type: none"> Limpie el filtro conforme a las instrucciones.
	La casa demasiado cerrada.	<ul style="list-style-type: none"> Abra una ventana levemente para proporcionar una fuente de aire.
	La tapa de la pared está obstruida.	<ul style="list-style-type: none"> Remueva el bloqueo de la tapa de la pared exterior.
	La tapa del regulador de tiro de la pared está atascada.	<ul style="list-style-type: none"> Inspeccione la tapa de la pared exterior del regulador de tiro para movimiento libre u obstrucción.
	La longitud del conducto excede el máximo de 100 pies recomendado.	<ul style="list-style-type: none"> Reduzca el número de codos para simplificar la trayectoria del conducto.

Apoyo al consumidor	Solución e identificación de averías	Cuidado y limpieza	Instrucciones de operación	Instrucciones de seguridad
---------------------	--------------------------------------	--------------------	----------------------------	----------------------------

Notas.

Garantía de GE para su estufa de cubierta eléctrico.



Todos los servicios de garantía los proporcionan nuestros Centros de Reparación de Fábrica o nuestros técnicos Customer Care® autorizados. Para concertar una cita de reparación, en línea, visítenos en ge.com, o llame al 800.GE.CARES (800.432.2737). Cuando llame para solicitar servicio, por favor tenga a mano el número de serie y el número de modelo.

Pegue aquí su recibo.
Se requiere facilitar prueba de la fecha de compra original para obtener un servicio bajo la garantía.

Por el período de: **GE reemplazará:**

Un año A partir de la fecha de la compra original	Cualquier parte de la estufa a gas que falle debido a defectos en los materiales o en la fabricación. Durante esta garantía limitada de un año , GE también proporcionará, sin costo alguno , toda la mano de obra y los servicios internos para reemplazar partes defectuosas.
Cinco años A partir de la fecha de la compra original	Una estufa de vidrio de reemplazo si es que: la ruptura se debe a un golpe térmico; la decoloración; o si el molde se desgasta. Una unidad de superficie radiante si se quema. Durante esta garantía adicional limitada de cuatro años , usted será responsable de cualquier labor o servicio en casa.

Lo que no está cubierto por GE:

- Viajes de servicio a su casa para mostrarle cómo funciona el equipo.
- Instalación, entrega o mantenimiento inapropiada.
- Fallo del producto resultante de modificaciones al producto o debido a uso incorrecto incluyendo no proporcionar mantenimiento razonable y necesario.
- Daño a la estufa de vidrio causado por el uso de limpiadores diferentes a las cremas y almohadillas recomendadas.
- Daño a la estufa de vidrio causado por derrames endurecidos de materiales azucarados o por plástico derretido que no sean limpiados conforme a las direcciones en el Manual del propietario.
- Reemplazo de fusibles de la casa o reajuste del sistema de circuitos.
- Daño al producto causado por accidentes, incendios, inundaciones o actos de la naturaleza de fuerza mayor.
- Daños incidentales o consecuenciales causados por defectos posibles con este aparato.
- Daños causados después de la entrega.
- Producto no accesible para facilitar el servicio requerido.

EXCLUSIÓN DE GARANTÍAS IMPLÍCITAS—Su único y exclusivo derecho es la reparación del producto, tal y como se indica en esta Garantía limitada. Cualquier garantía implícita, incluyendo las garantías implícitas de comerciabilidad o adecuación para un fin determinado, están limitadas a un año o el período de tiempo más breve permitido por la ley.

Esta garantía se extiende al comprador original y cualquier comprador posterior de productos comprados para uso residencial dentro des Estados Unidos. Si el producto está situado en un área que no dispone de servicio por parte de un proveedor de servicio autorizado de GE, podría tener que hacerse cargo de los costes de envío o bien podría solicitársele que lleve el producto a una centro de servicio de GE autorizado para realizar la reparación. En Alaska, la garantía excluye el costo de envío o las visitas de servicio a su casa.

Algunos estados no permiten la exclusión o las limitaciones de daños incidentales o consecuenciales. Esta garantía da derechos legales específicos, y usted podría tener otros derechos que variarán de estado a estado. Para saber cuáles son sus derechos legales, consulte a la oficina de asuntos del consumidor local o la oficina del Procurador (Attorney General) en su localidad.

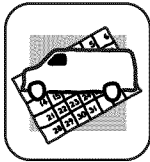
Apoyo al consumidor.



Página Web de GE Appliances

ge.com

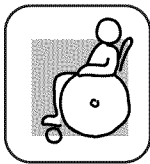
¿Tiene alguna pregunta sobre su electrodoméstico? ¡Pruebe la página Web de GE Appliances 24 horas al día, cualquier día del año! Para mayor conveniencia y servicio más rápido, ya puede descargar los Manuales de los Propietarios, pedir piezas o incluso hacer una cita en línea para que vengan a realizar una reparación.



Solicite una reparación

ge.com

El servicio de expertos GE está a tan sólo un paso de su puerta. ¡Entre en línea y solicite su reparación cuando le venga bien cualquier día del año! O llame al 800.GE.CARES (800.432.2737) durante horas normales de oficina.



Real Life Design Studio (Estudio de diseño para la vida real)

ge.com

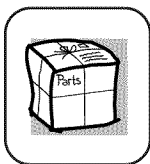
GE apoya el concepto de Diseño Universal—productos, servicios y ambientes que pueden usar gente de todas las edades, tamaños y capacidades. Reconocemos la necesidad de diseñar para una gran gama de habilidades y dificultades físicas y mentales. Para más detalles sobre las aplicaciones de GE Diseño Universal, incluyendo ideas de diseño para la cocina para personas con discapacidades, mire nuestra página Web hoy mismo. Para personas con dificultades auditivas, favor de llamar al 800.TDD.GEAC (800.833.4322).



Garantías ampliadas

ge.com

Compre una garantía ampliada y obtenga detalles sobre descuentos especiales disponibles mientras su garantía está aún activa. Puede comprarla en línea en cualquier momento, o llamar al 800.626.2224 durante horas normales de oficina. GE Consumer Home Services estará aún ahí cuando su garantía termine.



Piezas y accesorios

ge.com

Aquellos individuos con la calificación necesaria para reparar sus propios electrodomésticos pueden pedir que se les manden las piezas o accesorios directamente a sus hogares (aceptamos las tarjetas VISA, MasterCard y Discover). Haga su pedido en línea hoy, 24 horas cada día o llamar por teléfono al 800.626.2002 durante horas normales de oficina.

Las instrucciones descritas en este manual cubren los procedimientos a seguir por cualquier usuario. Cualquier otra reparación debería, por regla general, referirse a personal calificado autorizado. Debe ejercerse precaución ya que las reparaciones incorrectas pueden causar condiciones de funcionamiento inseguras.



Póngase en contacto con nosotros

ge.com

Si no está satisfecho con el servicio que recibe de GE, póngase en contacto con nosotros en nuestra página Web indicando todos los detalles así como su número de teléfono o escribanos a:

General Manager, Customer Relations
GE Appliances, Appliance Park
Louisville, KY 40225



Registre su electrodoméstico

ge.com

¡Registre su nuevo electrodoméstico en línea—cuando usted prefiera! El registrar su producto a tiempo le proporcionará, si surgiera la necesidad, una mejor comunicación y un servicio más rápido bajo los términos de su garantía. También puede enviar su tarjeta de registro pre-impresa que se incluye en el material de embalaje.