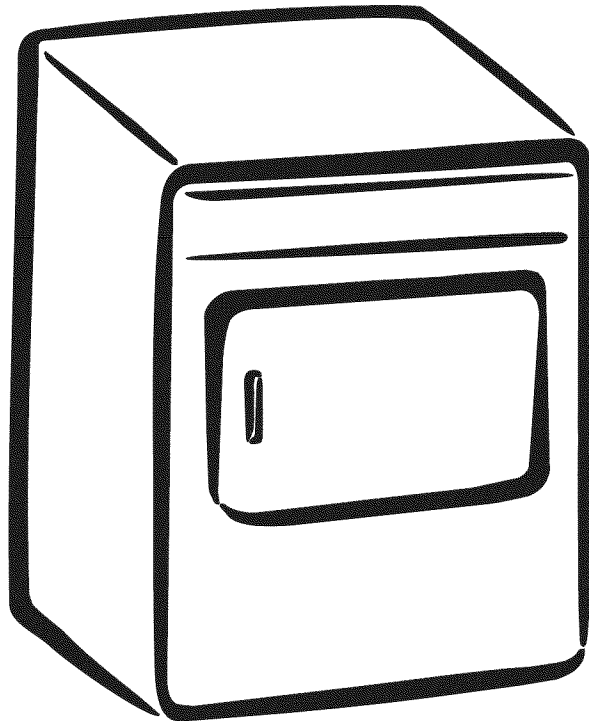




Coin- Operated Commercial Dryer

Installation Instructions and
Use and Care Guide

Models: 64182, 74182



Contents

SUBJECT	PAGE
Pre-Installation Requirements.....	2
Electrical Requirements.....	3
Exhaust System Requirements.....	3-4
Gas Supply Requirements.....	4
Rough-In Dimensions.....	5
Unpacking.....	5
Reversing Door Swing.....	5
Location of Your Dryer.....	6
Electrical Installation.....	7
Grounding Requirements.....	7
Electrical Connections—3-wire.....	8
Electrical Connections—4-wire.....	8
Installation.....	9
Lint Blade Retaining Pin Location.....	9
Meter case instructions.....	9-12
Replacement Parts.....	12
Parts lists.....	13-14
Warranty.....	15
Back Cover.....	16

Product Record

For Sears warranty information or to contact a Sears Service Center, call **1-800-4-my-HOME (1-800-469-4663)**

If you need SERVICE or PARTS for your Kenmore coin-operated washer: be ready to give the model number, serial number and date of purchase. Record below.

Model number _____

Serial number _____

Purchase date _____

Record Coin Box

Key Number _____

Key number is on key and/or coin box.


DRYER SAFETY

Before beginning installation, carefully read these instructions. This will simplify the installation and ensure the dryer is installed correctly and safely. Leave these instructions near the Dryer after installation for future reference.

NOTE: The electrical service to the Dryer must conform with local codes and ordinances and the latest edition of the National Electrical Code, ANSI/NFPA 70.

NOTE: The gas service to the Dryer must conform with local codes and ordinances and the latest edition of the National Fuel Gas Code ANSI Z223.1.


Your safety and the safety of others is very important. We have provided many important safety messages in the Installation Instructions / Use & Care Guide and on your appliance. Always read and obey all safety messages.

 This is the safety alert symbol. This symbol alerts you to hazards that can kill or hurt you or others. All safety messages will be preceded by the safety alert symbol and the word "DANGER" or "WARNING". These words mean:

 DANGER *You can be killed or seriously injured if you don't immediately follow instructions.*

 WARNING *You can be killed or seriously injured if you don't follow instructions.*

All safety messages will identify the hazard, tell you how to reduce the chance of injury, and tell you what can happen if the instructions are not followed.

 WARNING For your safety the information in this manual must be followed to minimize the risk of fire or explosion or to prevent property damage, personal injury or loss of life.

- Do not store or use gasoline or other flammable vapors and liquid in the vicinity of this or any other appliance.

- WHAT TO DO IF YOU SMELL GAS

- Do not try to light any appliance.
- Do not touch any electrical switch; do not use any phone in your building.
- Clear the room, building or area of all occupants.
- Immediately call your gas supplier from a neighbor's phone. Follow the gas supplier's instructions.
- If you cannot reach your gas supplier, call the fire department.

Installations must be performed by a qualified or licensed contractor, plumber, or gasfitter qualified or licensed by the state, province, or region where this appliance is being installed.

PRE-INSTALLATION REQUIREMENTS

Tools and Materials Required for Installation:

1. Phillips head screwdriver.
2. Channel-lock adjustable pliers.
3. Carpenter's level.
4. Flat or straight blade screwdriver.
5. Duct tape.
6. Rigid or flexible metal 4 inch (10.2 cm) duct.
7. Vent hood.
8. Pipe thread sealer (Gas).
9. Plastic knife.

ELECTRICAL REQUIREMENTS

ELECTRIC Dryer

CIRCUIT - Individual 30 amp. branch circuit fused with 30 amp. time delay fuses or circuit breakers.

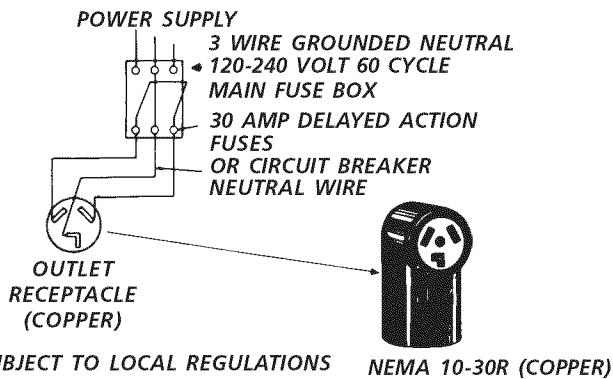
Use separately fused circuits for washers and dryers, and **DO NOT** operate a washer and a dryer on the same circuit.

POWER SUPPLY - 3 wire, 240 volt, single phase, 60 Hz, Alternating Current.

POWER SUPPLY CORD KIT - The dryer **MUST** employ a 3-conductor power supply cord NEMA 10-30 type SRDT rated at 240 volt AC minimum, 30 amp., with 3 open end spade lug connectors with upturned ends or closed loop connectors and marked for use with clothes dryers. If being installed in a new branch circuit installation, manufactured (mobile) home, recreational vehicle or area which prohibits grounding through the neutral conductor, the dryer **MUST** employ a 4-conductor power supply cord NEMA 14-30 type SRDT or ST (as required) rated at 240 volt AC minimum, 30 amp., with 4 open end spade lug connectors with upturned ends or closed loop connectors and marked for use with clothes dryers. See ELECTRICAL CONNECTIONS FOR A 4-WIRE SYSTEM.

OUTLET RECEPTACLE - NEMA 10-30R or 14-30R receptacle to be located so the power supply cord is accessible when the dryer is in the installed position.

Typical 3-wire installation



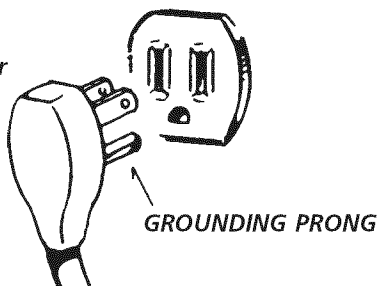
GAS Dryer

CIRCUIT - Individual 15 amp. branch circuit fused with a 15 amp. maximum time delay fuse or circuit breaker.

POWER SUPPLY - 3 wire, 120 volt single phase, 60 Hz, Alternating Current.

POWER SUPPLY CORD - The dryer is equipped with a 120 volt 3-wire power cord.

NOTE: Do not under any circumstances remove grounding prong from plug.

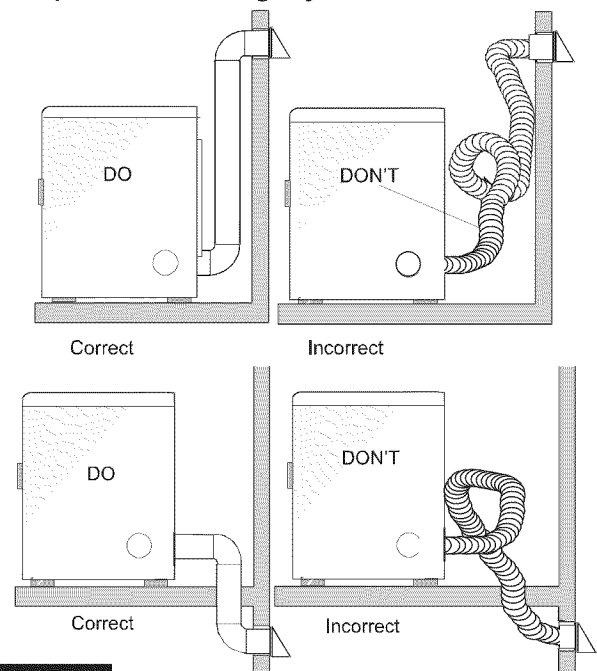


EXHAUST SYSTEM REQUIREMENTS

Use only 4 inch (10.2 cm) diameter (minimum) rigid or flexible **metal** duct and approved vent hood which has a swing-out damper(s) that open when the dryer is in operation. When the dryer stops, the dampers automatically close to prevent drafts and the entrance of insects and rodents. To avoid restricting the outlet, maintain a minimum of 12 inches (30.5 cm) clearance between the vent hood and the ground or any other obstruction.

⚠ WARNING *The following are specific requirements for proper and safe operation of your dryer. Failure to follow these instructions can create excessive drying times and fire hazards.*

⚠ WARNING *Do not install a clothes dryer with flexible plastic venting materials.* If your present system is made up of plastic duct or metal foil duct, **replace it** with a rigid or flexible metal duct. In Canada and the United States if metal (foil type) duct is installed, it must be of a specific type identified by the appliance manufacturer as suitable for use with clothes dryers and in the United States must also comply with the Outline for Clothes Dryer Transition Duct, UL standard 2158A. Flexible venting materials are known to collapse, be easily crushed and trap lint. These conditions will obstruct clothes dryer airflow and increase the **risk of fire**. **Ensure the present duct is free of any lint prior to installing dryer duct.**



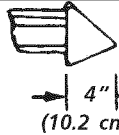
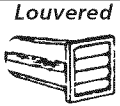
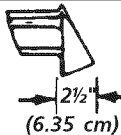
⚠ CAUTION - **Risk of Fire** - **A clothes dryer must be exhausted outdoors.** Do not exhaust dryer into a chimney, a wall, a ceiling, an attic, a crawl space or any concealed space of a building. A clothes dryer produces combustible lint. If the dryer is not exhausted outdoors, some fine lint will be expelled into the laundry area. An accumulation of lint in any area of the home can create a health and fire hazard. **The dryer must be connected to an exhaust outdoors.** Regularly inspect the outdoor exhaust opening and remove any accumulation of lint around the outdoor exhaust opening and in the surrounding area.

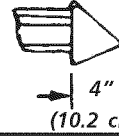
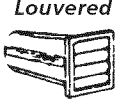
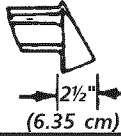
⚠ WARNING *Do not allow combustible materials (for example: clothing, draperies/curtains, paper) to come in contact with exhaust system.* The dryer **MUST NOT** be exhausted into a chimney, a wall, a ceiling, or any concealed space of a building which can accumulate lint, resulting in a fire hazard.

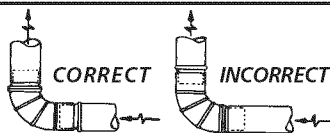
⚠ WARNING Exceeding the length of duct pipe or number of elbows allowed in the "MAXIMUM LENGTH" charts can cause an accumulation of lint in the exhaust system. Plugging the system could create a fire hazard, as well as increase drying times.

⚠ WARNING Do not screen the exhaust ends of the vent system, nor use any screws, rivets or other fastening means that extend into the duct and catch lint to assemble the exhaust system. Lint can become caught in the screen, on the screws or rivets, clogging the duct work and creating a fire hazard as well as increasing drying times. Use an approved vent hood to terminate the duct outdoors, and seal all joints with duct tape. All male duct pipe fittings **MUST** be installed downstream with the flow of air.

⚠ WARNING Explosion hazard. Do not install the dryer where gasoline or other flammables are kept or stored. If the dryer is installed in a garage, it must be a minimum of 18 inches (45.7 cm) above the floor. Failure to do so can result in death, explosion, fire or burns.

Number of 90° Turns	MAXIMUM LENGTH of 4" (10.2 cm) Dia. Rigid Metal Duct		
	VENT HOOD TYPE (Preferred)		
	 4" (10.2 cm)	Louvered 	 2 1/2" (6.35 cm)
0	60 ft. (18.28 m)		48 ft. (14.63 m)
1	52 ft. (15.84 m)		40 ft. (12.19 m)
2	44 ft. (13.41 m)		32 ft. (9.75 m)
3	32 ft. (9.75 m)		24 ft. (7.31 m)
4	28 ft. (8.53 m)		16 ft. (4.87 m)

Number of 90° Turns	MAXIMUM LENGTH of 4" (10.2 cm) Dia. Flexible Metal Duct		
	VENT HOOD TYPE (Preferred)		
	 4" (10.2 cm)	Louvered 	 2 1/2" (6.35 cm)
0	30 ft. (9.14 m)		18 ft. (5.49 m)
1	22 ft. (6.71 m)		14 ft. (4.27 m)
2	14 ft. (4.27 m)		10 ft. (3.05 m)
3	NOT RECOMMENDED		



INSTALL MALE FITTINGS IN CORRECT DIRECTION

In installations where the exhaust system is not described in the charts, the following method must be used to determine if the exhaust system is acceptable:

1. Connect an inclined or digital manometer between the dryer and the point the exhaust connects to the dryer.
2. Set the dryer timer and temperature to air fluff (cool down) and start the dryer.
3. Read the measurement on the manometer.
4. The system back pressure **MUST NOT** be higher than 0.75 inches of water column. If the system back pressure is less

than 0.75 inches of water column, the system is acceptable. If the manometer reading is higher than 0.75 inches of water column, the system is too restrictive and the installation is unacceptable.

Although vertical orientation of the exhaust system is acceptable, certain extenuating circumstances could affect the performance of the dryer:

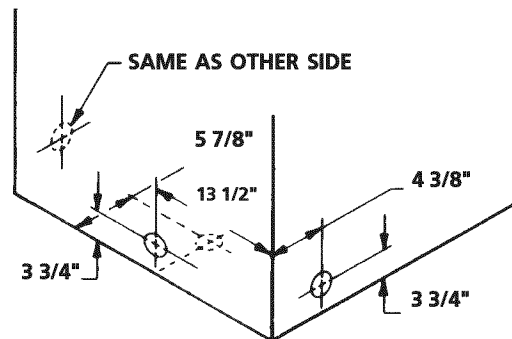
- Only the rigid metal duct work should be used.
- Venting vertical through a roof may expose the exhaust system to down drafts causing an increase in vent restriction.
- Running the exhaust system through an uninsulated area may cause condensation and faster accumulation of lint.
- Compression or crimping of the exhaust system will cause an increase in vent restriction.

The exhaust system should be inspected and cleaned a minimum of **every 18 months** with normal usage. The more the dryer is used, the more often you should check the exhaust system and vent hood for proper operation.

EXHAUST DIRECTION

All dryers shipped from the factory are set up for rear exhausting. However, on electric dryers, exhausting can be to the right or left side of the cabinet or the bottom of the dryer. On gas dryers, exhausting can be to the right side of the cabinet or the bottom of the dryer. Directional exhausting can be accomplished by installing Exhaust Kit, P/N 131456800, available through your parts distributor. Follow the instructions supplied with the kit.

EXHAUST DUCT LOCATING DIMENSIONS

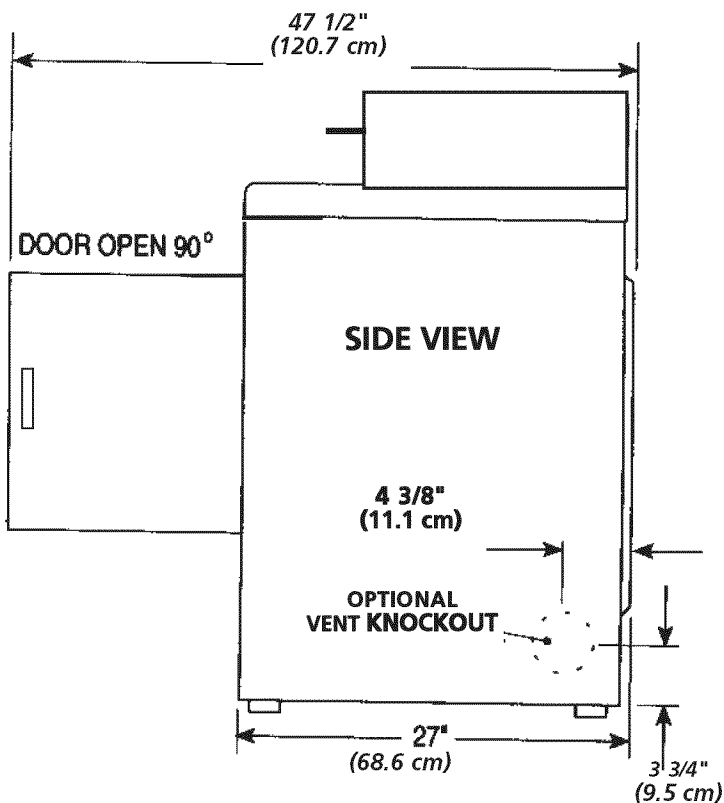
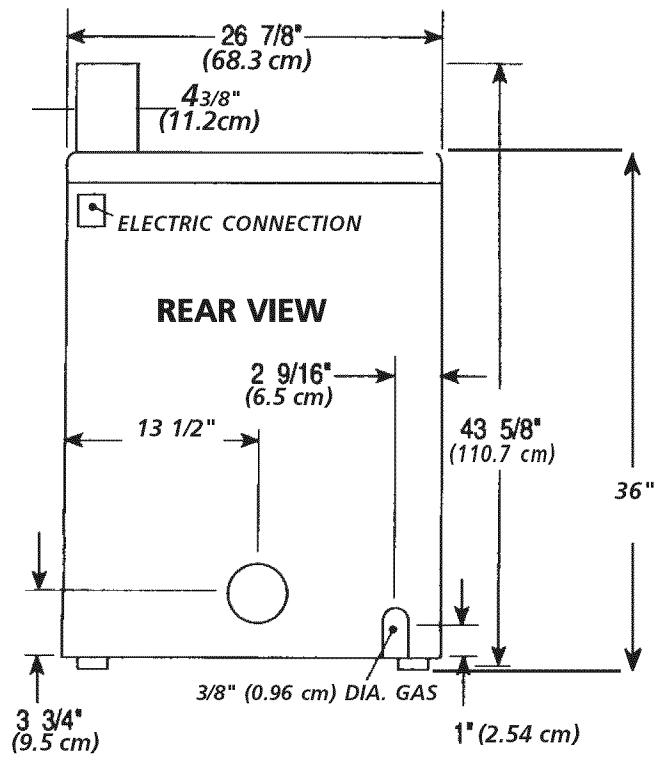


GAS SUPPLY REQUIREMENTS

⚠ WARNING Replace copper connecting pipe that is not plastic-coated. Stainless steel or plastic-coated brass **MUST** be used.

1. Installation **MUST** conform with local codes, or in the absence of local codes, with the National Fuel Gas Code, ANSI Z223.1 (latest edition).
2. The gas supply line should be of 1/2 inch (1.27 cm) pipe.
3. If codes allow, flexible metal tubing may be used to connect your dryer to the gas supply line. The tubing **MUST** be constructed of stainless steel or plastic-coated brass.
4. The gas supply line **MUST** have an individual shutoff valve.
5. A 1/8 inch (0.32 cm) N.P.T. plugged tapping, accessible for test gauge connection, **MUST** be installed immediately upstream of the gas supply connection to the dryer.
6. The dryer **MUST** be disconnected from the gas supply piping system during any pressure testing of the gas supply piping system at test pressures in excess of 1/2 psig (3.45 kPa).
7. The dryer **MUST** be isolated from the gas supply piping system during any pressure testing of the gas supply piping system at test pressures equal to or less than 1/2 psig (3.45 kPa).

ROUGH-IN DIMENSIONS



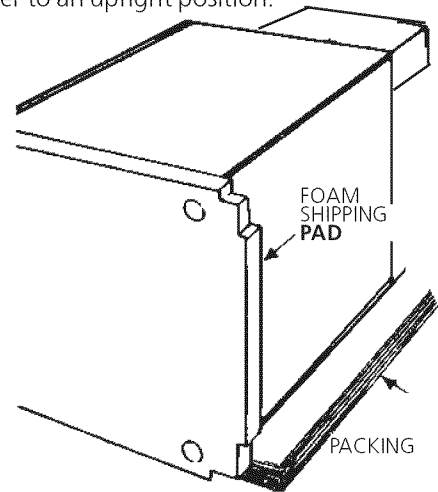
(Figure 1)

UNPACKING

- Using the four shipping carton corner posts (two on each side), carefully lay the dryer on its left side and remove foam shipping base.

CAUTION To prevent damage, do not use the control panel or coin meter housing as a means to pick up or move the dryer.

- Return the dryer to an upright position.



REVERSING DOOR SWING

Your dryer is designed so the door swing may be reversed at any time without additional parts. Conversion is accomplished by transferring hinges to the opposite side of the cabinet.

To change the direction of the door opening:

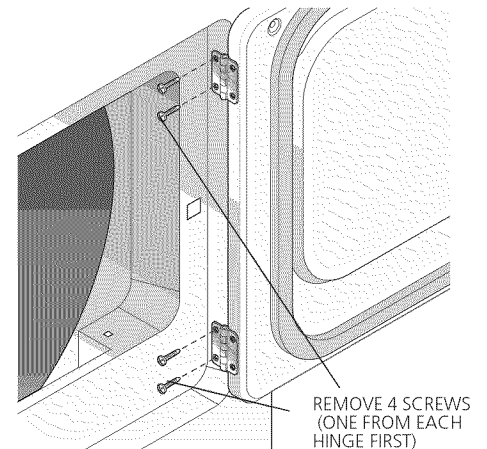
- Open the dryer door. Remove the four hinge hole plugs from the left side of the door opening. Place nearby for future installation.

NOTE: You may need a plastic knife to help pull out the plugs. Be careful not to scratch the paint.

- Remove the four screws that secure the door hinges to the dryer front panel (see below). **NOTE:** Remove one screw from each of the two hinges first. Hold the door firmly before removing the last two screws.

- Rotate the door 180° and reinstall the door hinges to the dryer front panel with the four screws.

- Install the four hinge hole plugs in the open screw holes on the right side of the door opening.



DO NOT INSTALL YOUR DRYER:

1. In an area exposed to dripping water or outside weather conditions.
2. In an area where it will come in contact with curtains, drapes, or anything that will obstruct the flow of combustion and ventilation air.
3. On carpet. Floor **MUST** be solid with a maximum slope of 1 inch (2.54 cm).

INSTALLATION IN RECESS OR CLOSET

1. A dryer installed in a bedroom, bathroom, recess or closet, **MUST** be exhausted outdoors.
2. No other fuel burning appliance shall be installed in the same closet as the Gas dryer.
3. Your dryer needs the space around it for proper ventilation.

DO NOT INSTALL YOUR DRYER IN A CLOSET WITH A SOLID DOOR.

4. A minimum of 120 square inches (774.2 square cm) of opening, equally divided at the top and bottom of the door, is required. Air openings are required to be unobstructed when a door is installed. A louvered door with equivalent air openings for the full length of the door is acceptable.

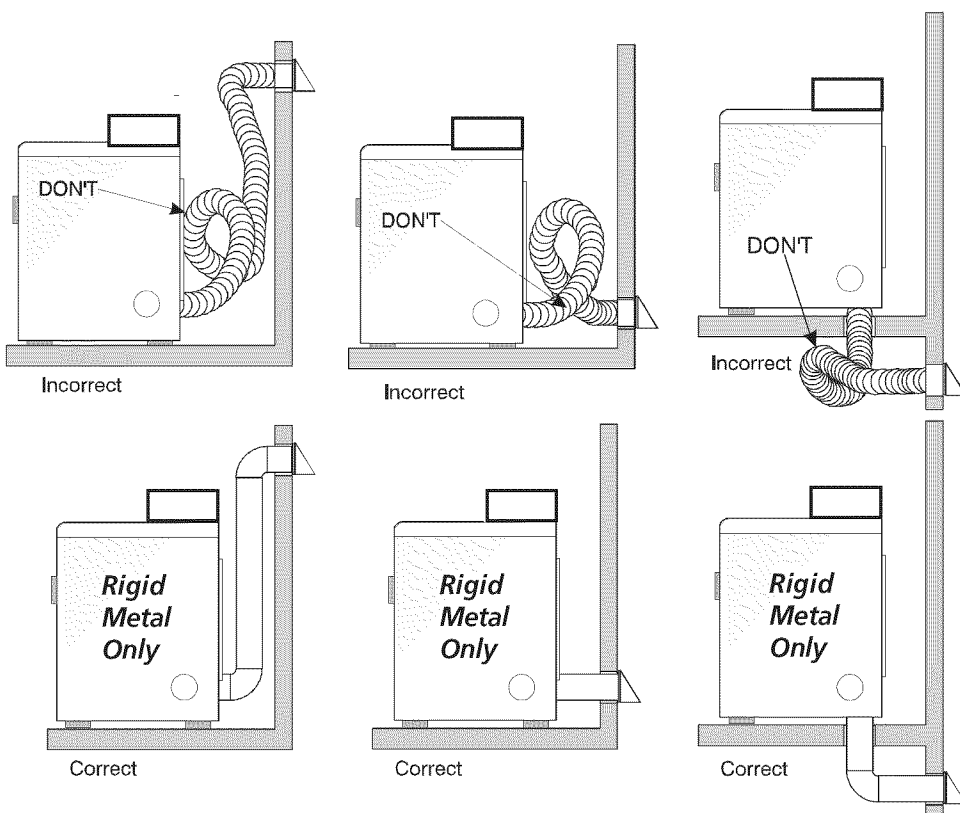
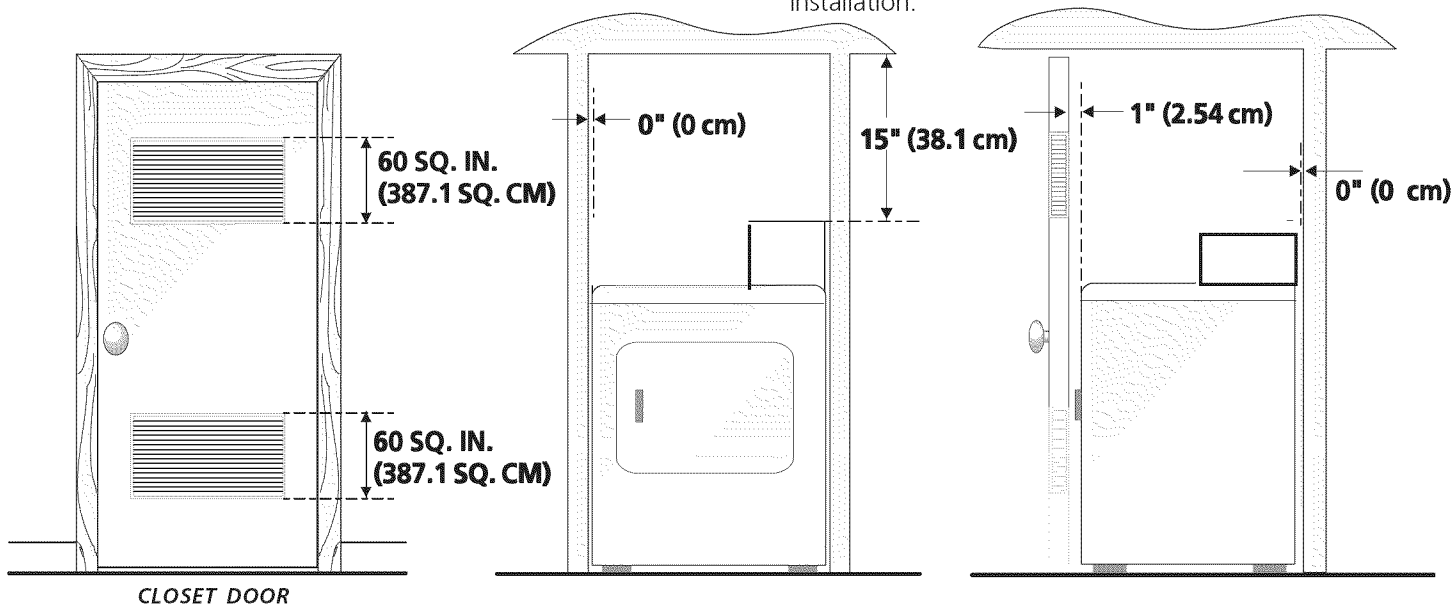
MINIMUM INSTALLATION CLEARANCES (Inches)

	FRONT	SIDES	REAR	TOP
Alcove	0 (0 cm)	0 (0 cm)	0 (0 cm)	15 (38.1 cm)
Closet	1 (2.54 cm)	0 (0 cm)	0 (0 cm)	15 (38.1 cm)

Closet door ventilation required: 2 louvered openings each 60 square inches (387 square centimeters) — 3 inches (7.6 cm) from bottom and top of door.

THIS DRYER MUST BE EXHAUSTED OUTDOORS.

5. The following illustrations show minimum clearance dimensions for proper operation in a recess or closet installation.



ELECTRICAL INSTALLATION

Before proceeding with electrical installation, install the dryer's coin-metering system (when used) in accordance with the separate instructions provided with the meter.

ALL ELECTRIC Dryers

⚠ WARNING *The following are specific requirements for proper and safe electrical installation of your dryer. Failure to follow these instructions can create electrical shock and/or a fire hazard.*

⚠ WARNING This appliance **MUST** be properly grounded. Electrical shock can result if the dryer is not properly grounded. Follow the instructions in this manual for proper grounding.

⚠ WARNING Do not use an extension cord with this dryer. Some extension cords are not designed to withstand the amounts of electrical current this dryer utilizes and can melt, creating electrical shock and/or fire hazard. Locate the dryer within reach of the receptacle for the length power cord to be purchased, allowing some slack in the cord. Refer to the pre-installation requirements in this manual for the proper power cord to be purchased.

⚠ WARNING A U.L. listed strain relief must be installed onto power cord. If the strain relief is not attached, the cord can be pulled out of the dryer and can be cut by any movement of the cord, resulting in electrical shock.

⚠ WARNING Do not use an aluminum wired receptacle with a copper wired power cord and plug (or vice versa). A chemical reaction occurs between copper and aluminum and can cause electrical shorts. ***The proper wiring and receptacle is a copper wired power cord with a copper wired receptacle.***

NOTE: Dryers operating on 208 volt power supply will have longer drying times than operating on 240 volt power supply.

GROUNDING REQUIREMENTS

ELECTRIC Dryer

⚠ DANGER Improper connection of the equipment grounding conductor can result in a risk of electrical shock. Check with a licensed electrician if you are in doubt as to whether the appliance is properly grounded.

For a grounded, cord-connected dryer:

1. The dryer **MUST** be grounded. In the event of a malfunction or breakdown, grounding will reduce the risk of electrical shock by a path of least resistance for electrical current.
2. If your dryer is equipped with a power supply cord having an equipment-grounding conductor and a grounding plug, the plug **MUST** be plugged into an appropriate, copper wired receptacle that is properly installed and grounded in accordance with all local codes and ordinances. If in doubt, call a licensed electrician. ***Do not modify plug provided with the appliance.***

For a permanently connected dryer:

1. The dryer **MUST** be connected to a grounded metal, permanent wiring system; or an equipment grounding conductor must be run with the circuit conductors and connected to the equipment-grounding terminal or lead on the appliance.

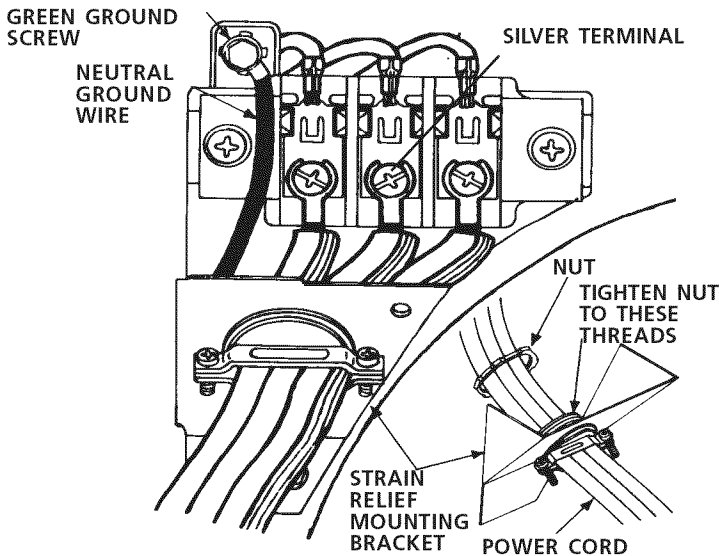
ALL GAS Dryers

This dryer is equipped with a three-prong (grounding) plug for your protection against shock hazard and should be plugged directly into a properly grounded three-prong receptacle. Do not cut or remove the grounding prong from this plug.

**ELECTRICAL CONNECTIONS
FOR 3-WIRE SYSTEM**

ELECTRIC Dryer

1. Remove the screws securing the terminal block access cover and the strain relief mounting bracket located on the back of the dryer upper corner.
2. Install a U.L. listed strain relief into the power cord entry hole of the mounting bracket. Finger tighten the nut only at this time.



3. Thread a U.L. listed 30 amp. power cord, NEMA 10-30 Type SRDT, through the strain relief.
4. Attach the power cord neutral (center wire) conductor to the silver colored center terminal on the terminal block. Tighten the screw securely.
5. Attach the remaining two power cord outer conductors to the outer brass colored terminals on the terminal block. Tighten both screws securely.

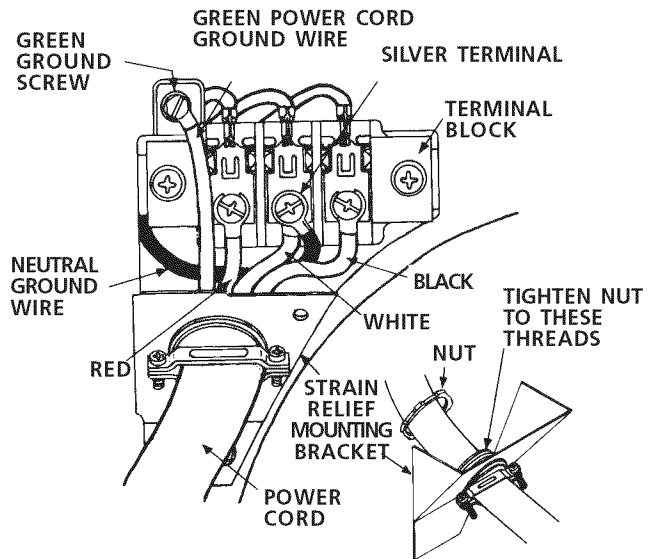
⚠ WARNING Do not make a sharp bend or crimp wiring/conductor at connections.

6. Reattach the strain relief mounting bracket to the back of the dryer with two screws. Tighten screws securely.
7. Tighten the screws securing the cord restraint firmly against the power cord.
8. Tighten the strain relief nut securely so that the strain relief does not turn.
9. Reinstall the terminal block cover.

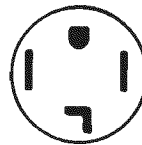
**ELECTRICAL CONNECTIONS
FOR 4-WIRE SYSTEM**

ELECTRIC Dryer

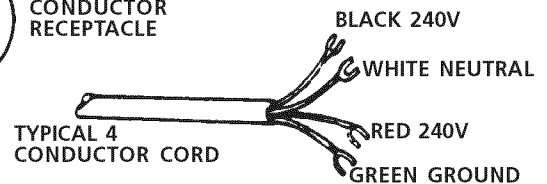
1. Remove the screws securing the terminal block access cover and the strain relief mounting bracket located on the back of the dryer upper corner.
2. Install a U.L. listed strain relief in the entry hole of the mounting bracket. Finger tighten the nut only at this time.
3. Remove the ground wire from the green ground screw located above the terminal block.



4. Thread a U.L. listed 30 amp power cord, NEMA 14-30 type ST or SRDT through the strain relief.



TYPICAL 4 CONDUCTOR RECEPTACLE



TYPICAL 4 CONDUCTOR CORD

30 AMP NEMA 14-30 TYPE SRDT OR ST

5. Attach the green power cord ground wire to the cabinet with the green ground screw.
6. Attach the white (neutral) power cord conductor from the power cord and the neutral ground wire from the dryer harness (removed from the ground screw in step 3) to the silver-colored center terminal on the terminal block. Tighten the screw securely.
7. Attach the red and black power cord conductors to the outer brass colored terminals on the terminal block.

⚠ WARNING Do not make a sharp bend or crimp wiring/conductor at the connections.

8. Tighten the screws securing the cord restraint firmly against the power cord.
9. Tighten the strain relief nut securely so the strain relief does not turn.
10. Reinstall the terminal block access cover.

INSTALLATION

1. GAS CONNECTION (*Gas dryers only*)

- Remove the shipping cap from gas pipe at the rear of the dryer.

NOTE: DO NOT connect the dryer to L.P. gas service without converting the gas valve. An L.P. conversion kit must be installed by a qualified gas technician.

- Connect a 1/2 inch (1.27 cm) I.D. semi-rigid or approved pipe from gas supply line to the 3/8 inch (0.96 cm) pipe located on the back of the dryer. Use a 1/2 inch to 3/8 inch (1.27 cm to 0.96 cm) reducer for a connection. Apply an approved thread sealer that is resistant to the corrosive action of liquefied gases on all pipe connections.

- Open the shutoff valve in the gas supply line.

- Test all connections by brushing on a soapy water solution.

NEVER TEST FOR GAS LEAKS WITH AN OPEN FLAME.

- Connect the exhaust duct to outside exhaust system. Use duct tape to seal all joints.

- With the dryer in its final position, adjust one or more of the legs until the dryer is resting solid on all four legs. Place a level on top of the dryer. **THE DRYER MUST BE LEVEL AND RESTING SOLID ON ALL FOUR LEGS.**

- Plug the power cord into a grounded outlet. NOTE: Check to ensure the power is off at circuit breaker/fuse box before plugging the power cord into the outlet.

- Turn on the power at the circuit breaker/fuse box.

CAUTION Before operating the dryer, make sure the dryer area is clear and free from combustible materials, gasoline, and other flammable vapors. Also see that nothing (such as boxes, clothing, etc.) obstructs the flow of combustion and ventilation air.

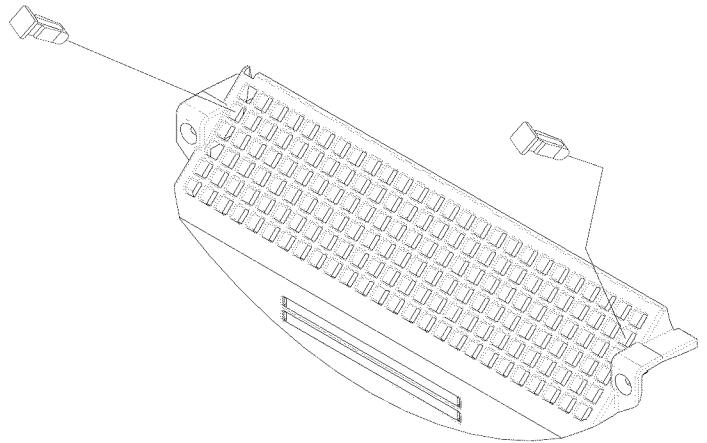
- Run the dryer through a cycle check for proper operation.

NOTE: On gas dryers, before the burner will light, it is necessary for the gas line to be bled of air. If the burner does not light within 45 seconds the first time the dryer is turned on, the safety switch will shut the burner off. If this happens, turn the timer to "OFF" and wait 5 minutes before making another attempt to light.

- Place these instructions in a location near the dryer for future reference.

NOTE: A wiring diagram is located inside the dryer.

Lint Blade Retaining Pin Location and Orientation



Install the pins after the lint blade is installed.

METER CASE INSTRUCTIONS

COIN BOX ADJUSTMENT

The tight fit of the money box is set at the factory. Customer may loosen fit as desired by loosening the slotted nuts. See FIG. 1.

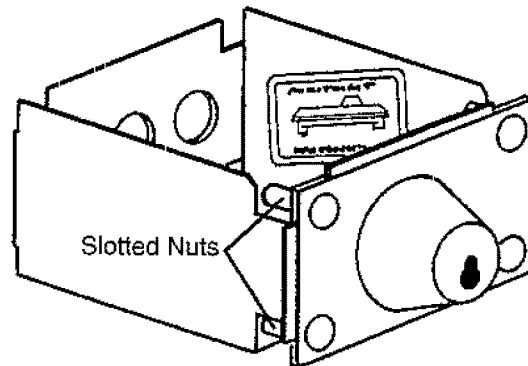


FIGURE 1

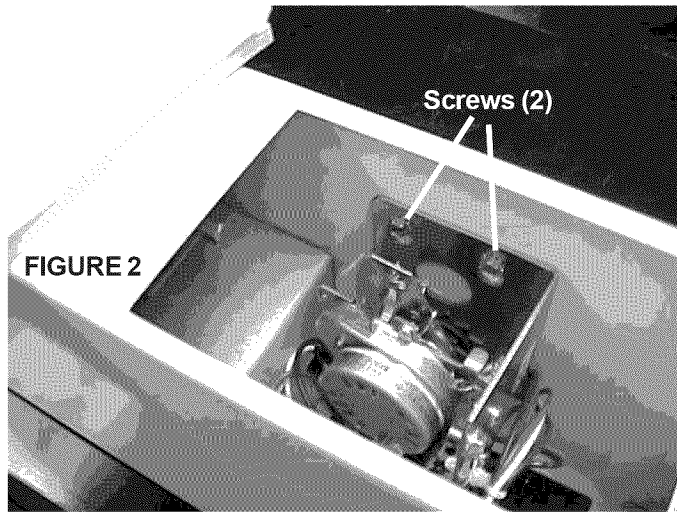
Keep A record of all coin-box key numbers. A lost key can only be replaced by ordering the key numbers from the place where the unit was purchased. The key number is located both on the key and behind the end panel of the coin box. If the key number is not available, the lock must be drilled out to remove the coin box.

REPLACING NYLON TIMING CAMS ON ACCUMULATOR MECHANISM

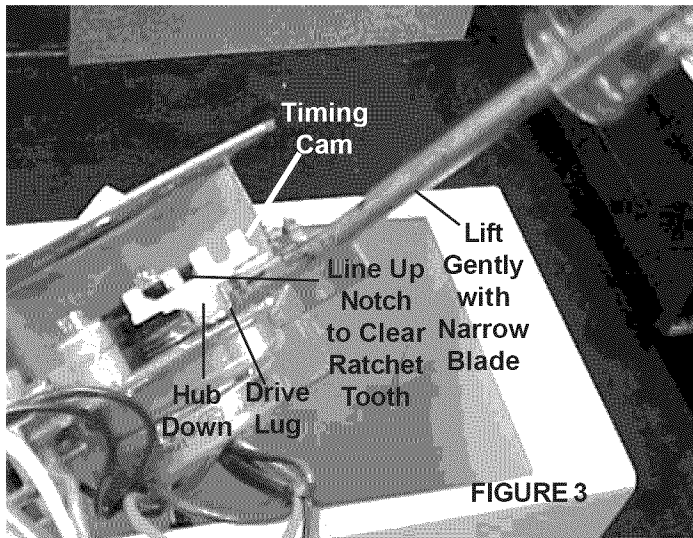
⚠ WARNING Electrical Shock Hazard

- Disconnect both power supply cords from the electric power supply before making these changes.
- Change timing cams before completing electrical connection. Failure to do so could result in electrical shock or personal injury.

- A. Remove meter-case service door:
1. Loosen two screws securing timer bracket to meter case and lift timer assembly out. See FIG. 2



- B. Remove nylon timing cam:
1. Rotate cam by hand until "V" notch lines up underneath the ratchet tooth. See FIG. 3.
 2. Insert narrow screwdriver under nylon cam close to the timer shaft. Lift cam gently off shaft. Make sure that pressure is directed upward and the "V" notch clears the ratchet tooth.



- C. Replace new timing cam:
1. Be sure drive lug is in place. Place cam (hub down) over timer shaft, lining up flat on shaft with flat of drive lug hole.
 2. Rotate cam until "V" notch lines up with ratchet tooth.
 3. Press down to seat cam on timer shaft. make sure that "V" notch freely clears ratchet tooth.

Timing Cam Pin Chart

NUMBER OF PINS	TIME PER COIN INSERTED	NUMBER OF PINS	TIME PER COIN INSERTED
1	180 minutes	7	25.7
2	90	8	22.5
3	60	9	20
4	45	10	18
5	36	11	16.3
6	30	12	15

INSTRUCTIONS FOR CHANGING VEND PRICE

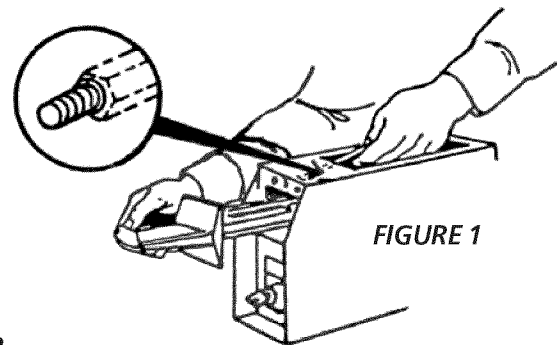
TOOLS NEEDED

- Medium sized slotted screwdriver
- Small slotted Phillips screwdriver

Place all screws and other items removed from coin slide assembly on a cloth so they will not get lost.

STEP 1

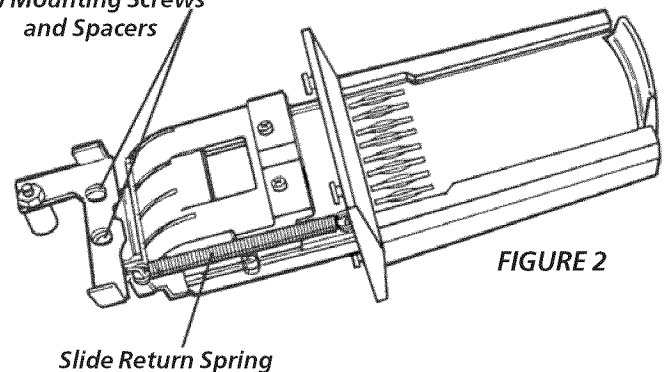
Remove slide mechanism from meter case (see FIGURE 1).



STEP 2

Remove the coin slide extension from coin slide by removing two mounting screws and spacers (see FIGURE 2).

(2) Mounting Screws and Spacers

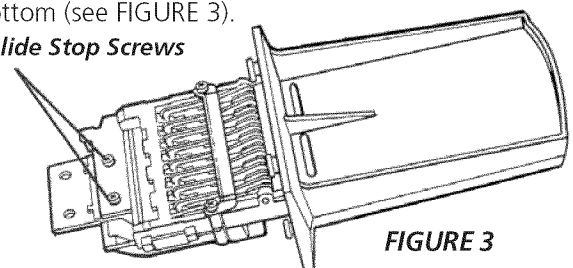


STEP 3

Remove coin slide from coin chute:

- Unhook and remove the coin slide return spring (see FIGURE 2).
- Turn coin slide mechanism upside down.
- Remove coin slide stop by taking out two screws to the chute bottom (see FIGURE 3).

(2) Slide Stop Screws



- Pull coin slide out of coin chute (see FIGURE 4).

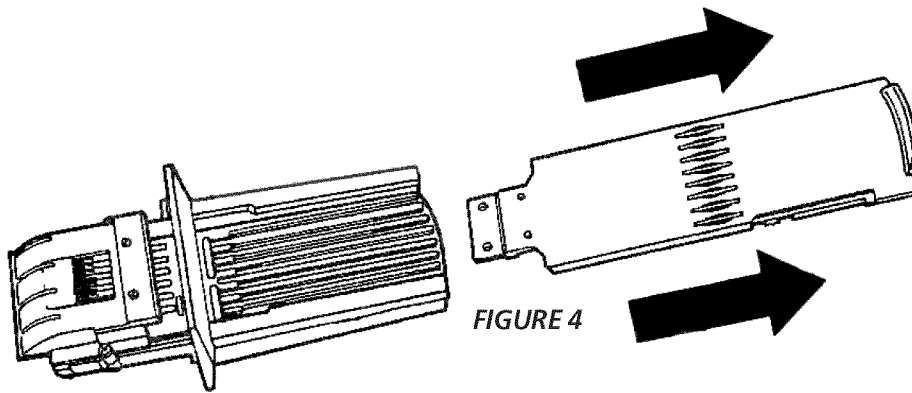


FIGURE 4

STEP 4

Turn coin slide upside down and remove screw that holds coin receiver block (see FIGURE 5).

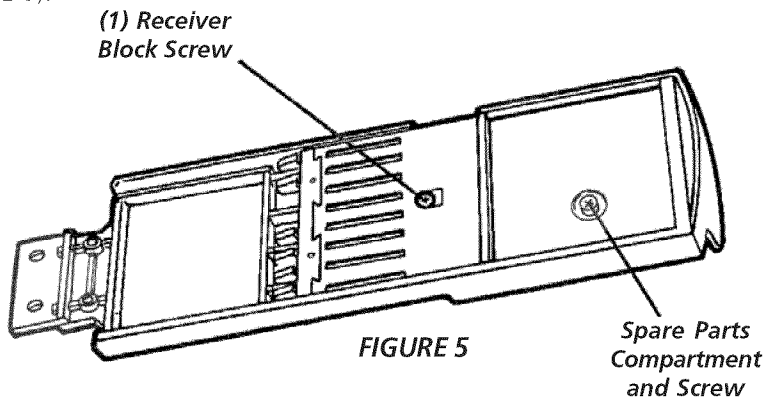


FIGURE 5

STEP 5

Remove coin receiver block from coin slide (see FIGURE 6):

- Turn coin slide right side up. Keep coin receiver block in place with your fingers.
- Carefully lift coin slide from coin receiver block. If necessary, shake coin slide gently to loosen block.

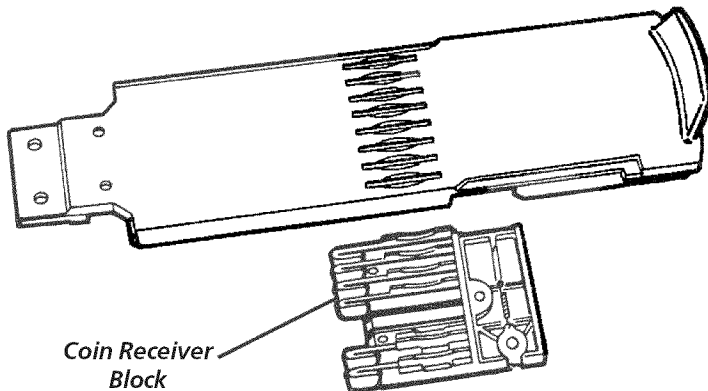


FIGURE 6

STEP 6

Set new vend price by adding or removing the appropriate block-out keys and/or dime inserts according to the Table of Vend Prices (see FIGURE 7).

NOTE: Black colored slots are closed off by block-out key.

FIGURE 7
TABLE OF VEND PRICE

VEND PRICE	COIN SLOTS							
	1	2	3	4	5	6	7	8
0	■	■	■	■	■	■	■	■
\$.10	□	■	■	■	■	■	■	■
\$.20	□	□	■	■	■	■	■	■
\$.25	■	■	□	■	■	■	■	■
\$.35	□	■	□	■	■	■	■	■
\$.45	□	□	□	■	■	■	■	■
\$.50	■	■	□	□	■	■	■	■
\$.60	□	■	□	□	■	■	■	■
\$.70	□	□	□	□	■	■	■	■
\$.75	■	■	□	□	□	■	■	■
\$.85	□	■	□	□	□	■	■	■
\$.95	□	□	□	□	□	■	■	■
\$1.00	■	■	□	□	□	□	■	■
\$1.10	□	■	□	□	□	□	■	■
\$1.20	□	□	□	□	□	□	■	■
\$1.25	■	□	□	□	□	□	■	■
\$1.35	□	■	□	□	□	□	□	■
\$1.45	□	□	□	□	□	□	□	■
\$1.50	■	□	□	□	□	□	□	■
\$1.60	□	□	□	□	□	□	□	■
\$1.70	□	□	□	□	□	□	□	□
\$1.75	■	□	□	□	□	□	□	□
\$1.85	□	□	□	□	□	□	□	□
\$2.00	□	□	□	□	□	□	□	□

To remove block-out keys, pull straight up.

NOTE: Be sure block-out keys and /or dime inserts are seated properly and ratchet dog is in place with its spring connected (see FIGURE 8).

Be sure the proper coin sizing block is in place.

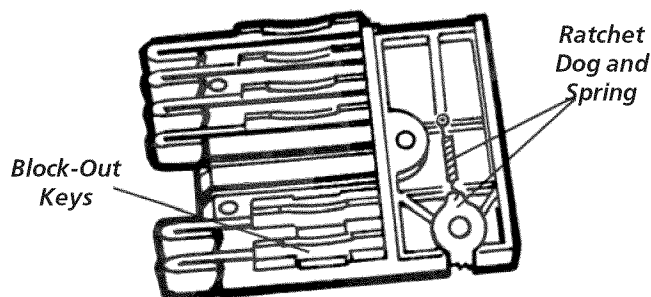


FIGURE 8

Change coin sizing block:

- Remove two screws that hold upper coin chute cover. Remove cover (see FIGURE 9).

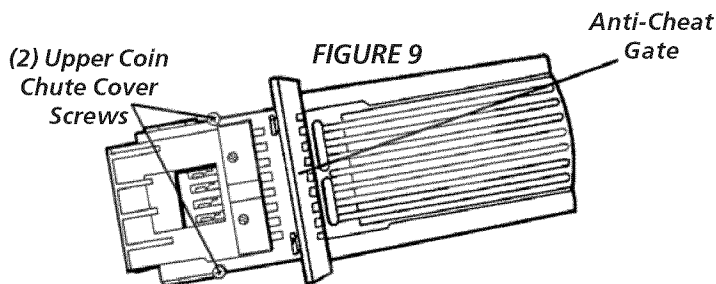


FIGURE 9

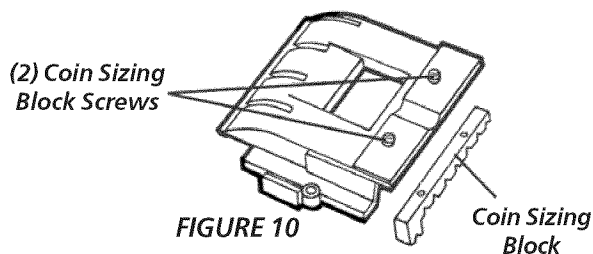


FIGURE 10

- Remove two screws that hold coin sizing block to upper coin chute cover (see FIGURE 10).
- Put new coin sizing block in place. Reinsert and tighten mounting screws.
- Replace coin chute cover. Reinsert and tighten screws.

STEP 7

Replace coin receiver block into slide:

- Hold coin receiver right side up in the palm of one hand.
- Lower coin slide until coin receiver block fits into the coin slide cavity. CAUTION: Do not dislodge ratchet dog and spring.
- Hold coin receiver block in place with your fingers and turn slide upside down.
- Insert and tighten screw.

STEP 8

Install slide into coin chute. Slide can only be pushed in if the anti-cheat gate in flange is pushed to the left. (see FIGURE 9).

STEP 9

Replace coin slide stop with two screws. Replace coin slide return spring. Replace coin slide extension with two screws (be sure spacers are in place).

STEP 10

Replace coin slide mechanism in meter case. Replace and tighten coin slide mounting bolt.

NOTE: It may be easier to insert coin slide mounting bolt if you remove the timer from the mounting screws temporarily.

REPLACEMENT PARTS

If replacement parts are needed for your dryer, contact the source where you purchased your dryer, or call Sears Parts and Service Toll Free Number 1-800-4-MY-HOME (1-800-469-4663). For coin box parts, call 1-800-221-0982, Greenwald Industries.

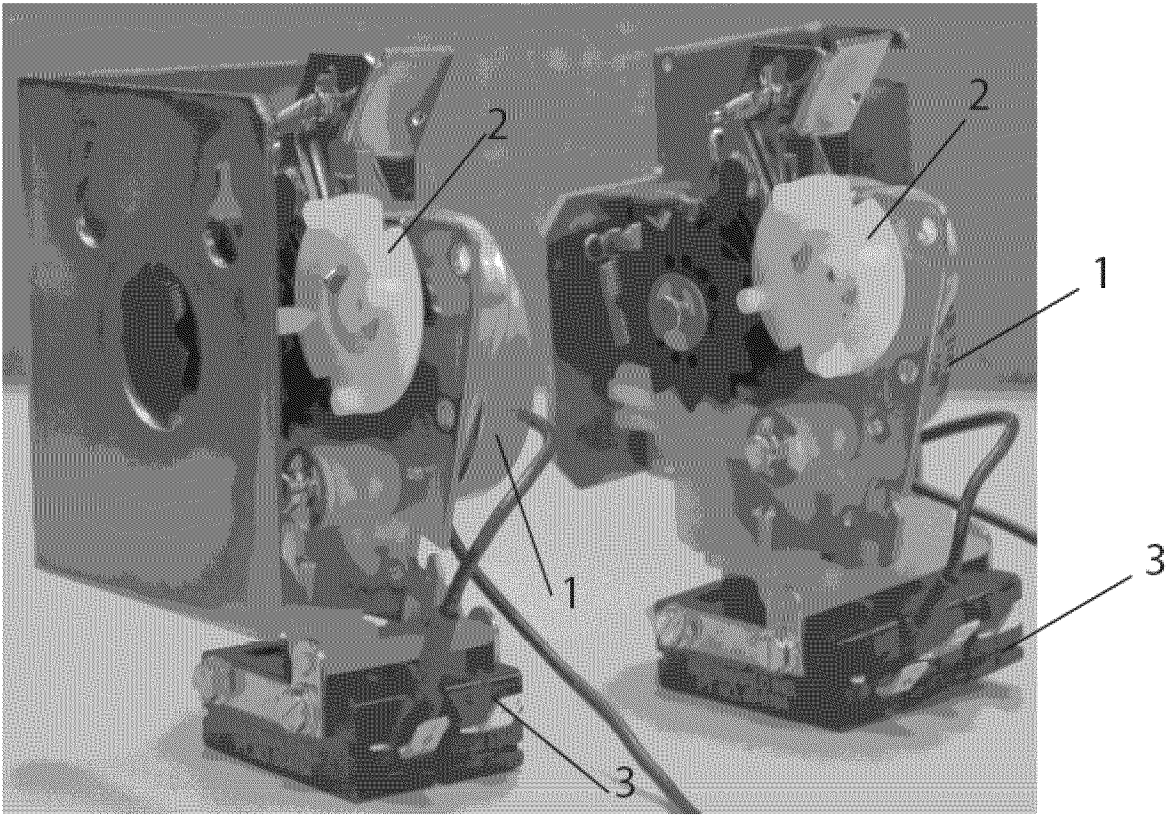
CAUTION Label all wires prior to disconnection when servicing controls. Wiring errors can cause improper and dangerous operation. Verify proper operation after servicing.

WARNING Destroy the carton and plastic bags after the dryer is unpacked. Children might use them for play. Cartons covered with rugs, bedspreads, or plastic sheets can become airtight chambers causing suffocation. Place all materials in a garbage container or make materials inaccessible to children.

WARNING The instructions in this manual and all other literature included with this dryer are not meant to cover every possible condition and situation that may occur. Good safe practice and caution **MUST** be applied when installing, operating and maintaining any appliance.

Meter Case Parts List

Parts List For Greenwald Dryer Timers

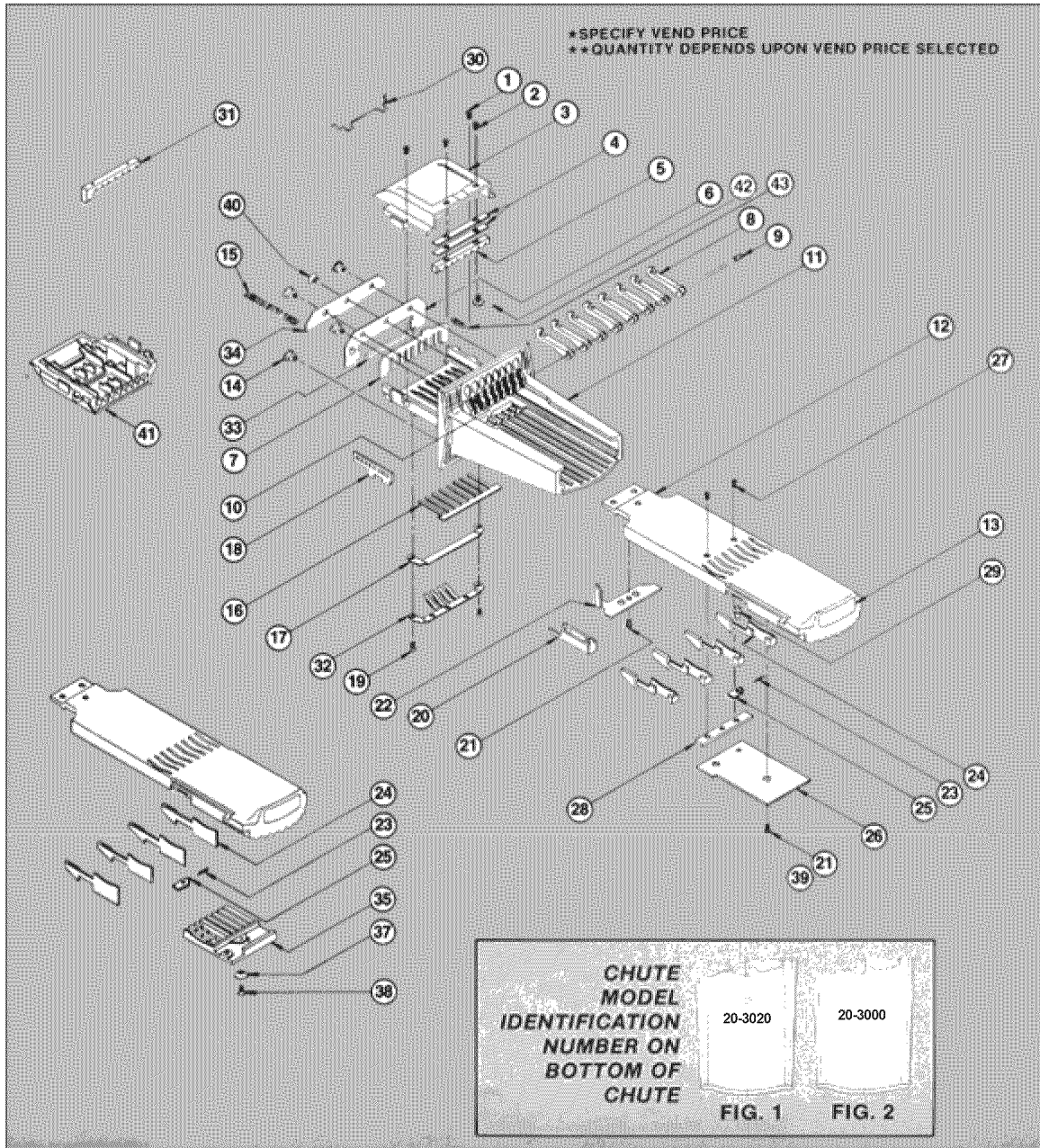


**Timer Assembly
Model 50-1232-9**

**Timer Assembly
Model 50-1223-10**

ITEM	PART NUMBER	DESCRIPTION
1	50-61-13-2	Timing motor, 115VAC, 1/180RPM
2	51-161-4	Timing cam, 4-PIN (45 Minutes)*
3	00-6164	Switch
*Additional cams that are available. Cams pull off and push on for replacement.	51-161-1	Timing cam,1-PIN (180 Minutes)
	51-161-2	Timing cam,2-PIN (90 Minutes)
	51-161-3	Timing cam,3-PIN (60 Minutes)
	51-161-5	Timing cam,5-PIN (36 Minutes)
	51-161-6	Timing cam,6-PIN (30 Minutes)
	51-161-7	Timing cam,7-PIN (25.7 Minutes)
	51-161-8	Timing cam,8-PIN (22.5 Minutes)
	51-161-9	Timing cam,9-PIN (20 Minutes)
	51-161-10	Timing cam,10-PIN (18 Minutes)
	51-161-11	Timing cam,11-PIN (16.3 Minutes)
	51-161-12	Timing cam,12-PIN (15 Minutes)

V8 Coin Chute Parts List



V8 Parts List

DESCRIPTION	REQ.	20-3020	20-3000	DESCRIPTION	REQ.	20-3020	20-3000	DESCRIPTION	REQ.	20-3020	20-3000
1 SCREW (METRIC)	2	00-9724	00-7924	16 SPRING	1	20-2040	20-2001	31 COIN SIZING BLOCK varies		20-3007	20-3007
2 SCREW (METRIC)	2	00-7938	00-7938	17 SPRING PROTECTOR	1	20-2038	20-2007	32 PRESSURE SPRING ASMY	Opt.	20-1012	20-1012
3 TOP HOUSING	1	20-3019	20-3002	18 RACK	1	20-2023	20-2005	33 MAGNET	Opt.	00-9256	00-9256
4 SHIM	2	20-2042	-----	19 SCREW (METRIC)	2	00-7931	00-7931	34 SHIELD	Opt.	20-2045	20-2045
5 COIN SIZING BLOCK	1	20-3006	20-3006	20 10 ϕ INSERT varies		20-3023	20-5001	35 COIN RECEIVER BLOCK	1	-----	20-2003
6 GATE COVER	1	20-2043	20-2006	21 SCREW (METRIC)	2	00-7923	00-7929	37 LOCK WASHER	1	-----	00-7934
7 GATE	1	20-2035	20-2000	22 SLIDE STOP	1	20-2039	20-2004	38 SCREW (METRIC)	1	-----	00-7933
8 SLIDE STOP DOG	8	20-2011	20-2011	23 RATCHET DOG SPRING	1	00-8123	00-8123	39 SCREW (METRIC)	1	-----	00-7932
9 DOG SHAFT	1	20-4004	20-4000	24 BLOCKOUT KEY varies		20-5002	20-2010	40 SCREW		00-7541	00-7541
10 DECAL, CASTING	1	00-9905	00-9905	25 SLIDE RATCHET DOG	1	20-2041	20-2008	41 TOP HOUSING ASMY		20-1103-1	20-1104-1
11 BODY CASTING	1	20-3020	20-3000	26 STORAGE COMP. COVER		20-2037	20-2003				
12 COIN SLIDE	1	20-3021	-----	27 SCREW (METRIC)	2	00-7935	-----				
13 DECAL, SLIDE	1	00-9104	00-9104	28 BUFFER	1	20-2034	-----				
14 CHUTE LOCATING SCREW	4	00-7483	61-55	29 RATCHET DOG POST	1	20-4005	-----				
15 SLIDE RETURN SPRING	1	00-8148	00-8148	30 COIN RETAINER optional	Opt.	00-8168	-----				

NEW VEND PRICE

Order Form

To change vend price, detach and mail the lower portion to:

**Customer Service Department
Greenwald Industries Inc.
212 Middlesex Ave.
Chester, CT 06412**

Order required parts using this tear-off. Block-out keys will be shipped to you at no charge. Follow product information instructions.

Quantity _____

Existing Vend Price _____

Name _____

Company _____

Address _____

City _____

State/Zip _____

Daytime phone _____

Purchase date _____

The coin chute has been pre-set at the factory.

When increasing in \$.25 pricing

Follow product information instructions; no extra parts required.

When decreasing in \$.25 pricing - or - changing to \$.10 pricing.

(Coin sizing block required; see "Changing Vend Price" section.)

SEARS COMMERCIAL DRYER WARRANTY

LIMITED 2-YEAR WARRANTY ON MECHANICAL AND ELECTRICAL PARTS

For two years from the date of purchase, when the dryer is installed and operated in accordance with the instructions in the Installation Instructions/Use & Care Guide, Sears will furnish replacement parts for all defective mechanical or electrical parts including coin box and chute assemblies. You will be charged for labor.

WARRANTY SERVICE IS AVAILABLE BY CONTACTING THE NEAREST SEARS SERVICE CENTER IN THE UNITED STATES.

This warranty applies only while this product is in use in the United States. This warranty gives you specific legal rights, and you may also have other rights which vary from state to state.

Sears, Roebuck and Co., Dept. 817WA, Hoffman Estates, IL 60179

NOTE: IF the dryer is vented with a plastic or metal foil flexible duct and not a rigid or flexible metal duct, this warranty is void. Pages 3-5 of this Installation Instruction/Use & Care Guide describe the complete exhaust requirements for this washer

Notes

Get it fixed, at your home or ours!

Your Home

For expert troubleshooting and home solutions advice:

manage my home

www.managemyhome.com

For repair – **in your home** – of **all** major brand appliances, lawn and garden equipment, or heating and cooling systems, **no matter who made it, no matter who sold it!**

For the replacement parts, accessories and owner's manuals that you need to do-it-yourself.

For Sears professional installation of home appliances and items like garage door openers and water heaters.

1-800-4-MY-HOME[®] (1-800-469-4663)

Call anytime, day or night (U.S.A. and Canada)

www.sears.com www.sears.ca

Our Home

For repair of carry-in items like vacuums, lawn equipment, and electronics, call anytime for the location of your nearest

Sears Parts & Repair Service Center

1-800-488-1222 (U.S.A.)

www.sears.com

1-800-469-4663 (Canada)

www.sears.ca

To purchase a protection agreement on a product serviced by Sears:

1-800-827-6655 (U.S.A.)

1-800-361-6665 (Canada)

Para pedir servicio de reparación a domicilio, y para ordenar piezas:

1-888-SU-HOGAR[®]

(1-888-784-6427)

Au Canada pour service en français:

1-800-LE-FOYER^{MC}

(1-800-533-6937)

www.sears.ca

Sears