



ULTRA WASH^{® HE} Dishwasher

Use & Care Guide

Lavavajillas ULTRA WASH^{® HE}

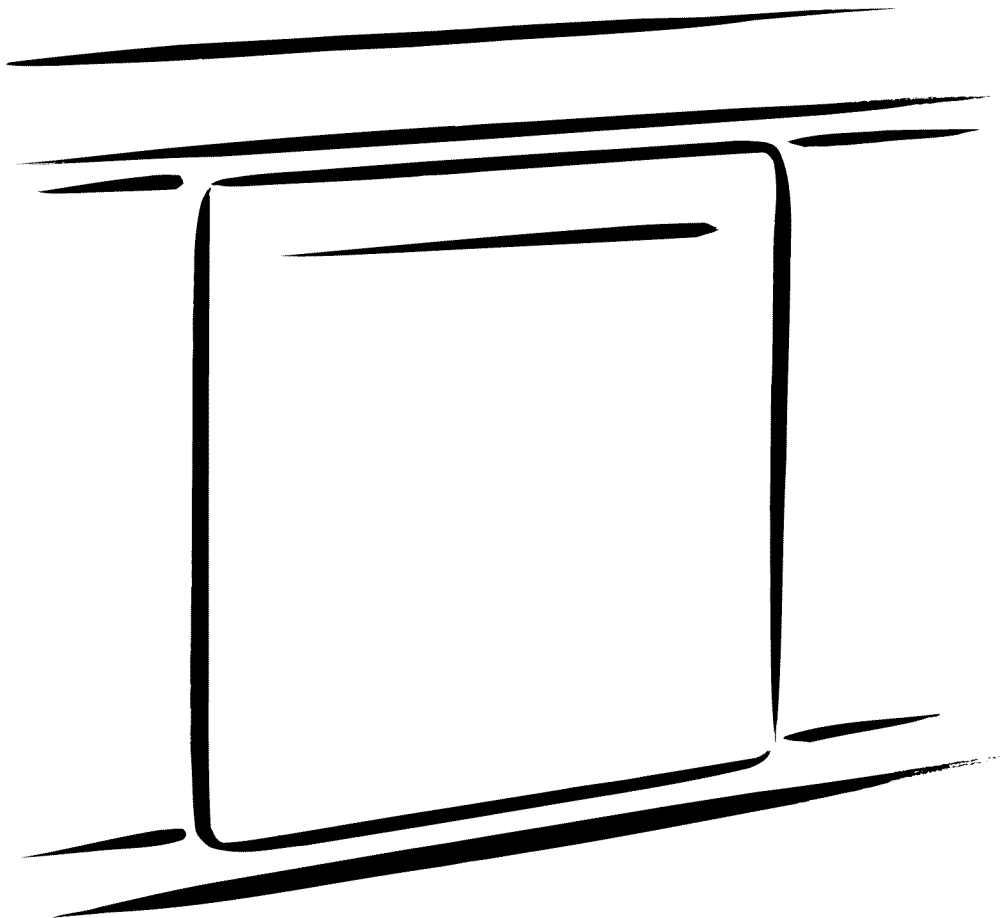
Manual de uso y cuidado

Lave-vaisselle ULTRA WASH^{® HE}

Guide d'utilisation et d'entretien

Models/Modelos/Modèles 665.1318*

* = color number, número de color, numéro de couleur



ENGLISH ESPAÑOL FRANÇAIS

TABLE OF CONTENTS

PROTECTION AGREEMENTS	2	LOADING	11
WARRANTY	3	Loading For Best Performance	11
DISHWASHER SAFETY	4	Top Rack Loading	12
PARTS AND FEATURES	6	Bottom Rack Loading.....	13
START-UP / QUICK REFERENCE	7	DISHWASHER USE	14
ULTRA WASH® removable filters provide peak performance....	7	Cycles and Options Information.....	14
IMPORTANT: Do not block detergent dispenser.	7	Canceling A Cycle	16
Drying - Rinse Aid is Essential.	7	Changing A Cycle After Dishwasher Is Started	16
1 Hour Wash - When you need fast results.	7	Adding A Dish After Dishwasher Is Started	16
SmartWash® cycle.....	7	WASHING SPECIAL ITEMS	17
Press START/RESUME every time you add a dish.....	7	DISHWASHER CARE	18
ULTRA WASH® FILTRATION SYSTEM	8	Cleaning	18
DISHWASHER EFFICIENCY TIPS	9	Drain Air Gap	18
DETERGENT AND RINSE AID	10	Storing.....	18
Detergent	10	TROUBLESHOOTING	19
Rinse Aid.....	10	SERVICE NUMBERS	BACK COVER

PROTECTION AGREEMENTS

Master Protection Agreements

Congratulations on making a smart purchase. Your new Kenmore® product is designed and manufactured for years of dependable operation. But like all products, it may require preventive maintenance or repair from time to time. That's when having a Master Protection Agreement can save you money and aggravation.

The Master Protection Agreement also helps extend the life of your new product. Here's what the Agreement* includes:

- ✓ **Parts and labor** needed to help keep products operating properly **under normal use**, not just defects. Our coverage goes **well beyond the product warranty**. No deductibles, no functional failure excluded from coverage— **real protection**.
- ✓ **Expert service** by a force of more than 10,000 authorized **Sears service technicians**, which means someone you can trust will be working on your product.
- ✓ **Unlimited service calls and nationwide service**, as often as you want us, whenever you want us.
- ✓ **"No-lemon" guarantee** – replacement of your covered product if four or more product failures occur within twelve months.
- ✓ **Product replacement** if your covered product can't be fixed.
- ✓ **Annual Preventive Maintenance Check** at your request – no extra charge.
- ✓ **Fast help by phone** – we call it **Rapid Resolution** – phone support from a Sears representative on all products. Think of us as a "talking owner's manual."

- ✓ **Power surge protection** against electrical damage due to power fluctuations.
- ✓ **\$250 Food Loss Protection** annually for any food spoilage that is the result of mechanical failure of any covered refrigerator or freezer.
- ✓ **Rental reimbursement** if repair of your covered product takes longer than promised.
- ✓ **10% discount** off the regular price of any non-covered repair service and related installed parts.

Once you purchase the Agreement, a simple phone call is all that it takes for you to schedule service. You can call anytime day or night, or schedule a service appointment online.

The Master Protection Agreement is a risk free purchase. If you cancel for any reason during the product warranty period, we will provide a full refund. Or, a prorated refund anytime after the product warranty period expires. Purchase your Master Protection Agreement today!

Some limitations and exclusions apply. For prices and additional information in the U.S.A. call 1-800-827-6655.

***Coverage in Canada varies on some items. For full details call Sears Canada at 1-800-361-6665.**

Sears Installation Service

For Sears professional installation of home appliances, garage door openers, water heaters, and other major home items, in the U.S.A. or Canada call **1-800-4-MY-HOME®**.

KENMORE ELITE® APPLIANCE WARRANTY

ONE YEAR LIMITED WARRANTY

When installed, operated and maintained according to all instructions supplied with the product, if this appliance fails due to a defect in material or workmanship within one year from the date of purchase, call 1-800-4-MY-HOME® to arrange for free repair.

TWO-YEAR LIMITED WARRANTY ON ELECTRONIC CONTROL AND POWER SUPPLY BOARD

For two years from the date of purchase, when this dishwasher is installed, operated and maintained according to all instructions supplied with the product, Sears will replace any part of the electronic module and power supply board that fails due to defective materials or workmanship. After the first year, customer assumes any labor costs associated with replacement of these parts.

TWO-YEAR LIMITED WARRANTY ON THE ULTRA WASH WASH SYSTEM

For two years from the date of purchase, when this dishwasher is installed, operated and maintained according to all instructions supplied with the product, Sears will replace any part of the Ultra Wash wash system (motor, pump, spray arms, spray tower, motor seals and pump gasket) that fails due to defective materials or workmanship. After the first year, customer assumes any labor costs associated with replacement of these parts.

FIVE-YEAR LIMITED WARRANTY ON UPPER AND LOWER RACKS

For five years from the date of purchase, when this dishwasher is installed, operated and maintained according to all instructions supplied with the product, Sears will replace parts for the upper or lower dish rack if the rack rusts due to defective materials or workmanship. After the first year, customer assumes any labor costs associated with dish rack replacement.

LIMITED WARRANTY FOR THE LIFE OF THE DISHWASHER, ON KENMORE ELITE STAINLESS STEEL TUB MODELS, AGAINST LEAKS IN THE TUB AND INNER DOOR PANEL

For the life of the dishwasher, if a leak should occur as a result of rust-through of the stainless steel tub or inner door panel, Sears will replace the tub or inner door panel free of charge.

If this appliance is used for other than private family purposes, this warranty applies for only 90 days from the date of purchase.

THIS WARRANTY COVERS ONLY DEFECTS IN MATERIAL AND WORKMANSHIP. SEARS WILL NOT PAY FOR:

1. Expendable items that can wear out from normal use, including but not limited to filters, belts, light bulbs, and bags.
2. A service technician to instruct the user in correct product installation, operation or maintenance.
3. A service technician to clean or maintain this product.
4. Damage to or failure of this product if it is not installed, operated or maintained according to all instructions supplied with the product.
5. Damage to or failure of this product resulting from accident, abuse, misuse or use for other than its intended purpose.
6. Damage to or failure of this product caused by the use of detergents, cleaners, chemicals or utensils other than those recommended in all instructions supplied with the product.
7. Damage to or failure of parts or systems resulting from unauthorized modifications made to this product.

DISCLAIMER OF IMPLIED WARRANTIES; LIMITATION OF REMEDIES

Customer's sole and exclusive remedy under this limited warranty shall be product repair as provided herein. Implied warranties, including warranties of merchantability or fitness for a particular purpose, are limited to one year or the shortest period allowed by law. Sears shall not be liable for incidental or consequential damages. Some states and provinces do not allow the exclusion or limitation of incidental or consequential damages, or limitations on the duration of implied warranties of merchantability or fitness, so these exclusions or limitations may not apply to you.

This warranty applies only while this appliance is used in the United States and Canada.

This warranty gives you specific legal rights, and you may also have other rights which vary from state to state.

Sears, Roebuck and Co.
Dept. 817WA, Hoffman Estates, IL 60179

Sears Canada Inc.
Toronto, Ontario, Canada M5B 2B8

PRODUCT RECORD

Record your complete model number, serial number, and purchase date. You can find this information on the model and serial number label located on the product.

Have this information available to help you obtain assistance or service more quickly whenever you contact Sears concerning your appliance.

Model number _____

Serial number _____

Purchase date _____

Save these instructions and your sales receipt for future reference.

DISHWASHER SAFETY

Your safety and the safety of others are very important.

We have provided many important safety messages in this manual and on your appliance. Always read and obey all safety messages.



This is the safety alert symbol.

This symbol alerts you to potential hazards that can kill or hurt you and others.

All safety messages will follow the safety alert symbol and either the word "DANGER" or "WARNING." These words mean:

⚠ DANGER

You can be killed or seriously injured if you don't immediately follow instructions.

⚠ WARNING

You can be killed or seriously injured if you don't follow instructions.

All safety messages will tell you what the potential hazard is, tell you how to reduce the chance of injury, and tell you what can happen if the instructions are not followed.

IMPORTANT SAFETY INSTRUCTIONS

WARNING: When using the dishwasher, follow basic precautions, including the following:

- Read all instructions before using the dishwasher.
- Use the dishwasher only for its intended function.
- Use only detergents or rinse agents recommended for use in a dishwasher, and keep them out of the reach of children.
- When loading items to be washed:
 - 1) Locate sharp items so that they are not likely to damage the door seal; and
 - 2) Load sharp knives with the handles up to reduce the risk of cut-type injuries.
- Do not wash plastic items unless they are marked "dishwasher safe" or the equivalent. For plastic items not so marked, check the manufacturer's recommendations.
- Do not touch the heating element during or immediately after use.
- Do not operate the dishwasher unless all enclosure panels are properly in place.
- Do not tamper with controls.
- Do not abuse, sit on, or stand on the door, lid, or dish racks of the dishwasher.
- To reduce the risk of injury, do not allow children to play in or on the dishwasher.
- Under certain conditions, hydrogen gas may be produced in a hot water system that has not been used for two weeks or more. **HYDROGEN GAS IS EXPLOSIVE.** If the hot water system has not been used for such a period, before using the dishwasher turn on all hot water faucets and let the water flow from each for several minutes. This will release any accumulated hydrogen gas. As the gas is flammable, do not smoke or use an open flame during this time.
- Remove the door or lid to the washing compartment when removing an old dishwasher from service or discarding it.

SAVE THESE INSTRUCTIONS

⚠ WARNING



Tip Over Hazard

Do not use dishwasher until completely installed.

Do not push down on open door.

Doing so can result in serious injury or cuts.

GROUNDING INSTRUCTIONS

■ **For a grounded, cord-connected dishwasher:**

The dishwasher must be grounded. In the event of a malfunction or breakdown, grounding will reduce the risk of electric shock by providing a path of least resistance for electric current. The dishwasher is equipped with a cord having an equipment-grounding conductor and a grounding plug. The plug must be plugged into an appropriate outlet that is installed and grounded in accordance with all local codes and ordinances.

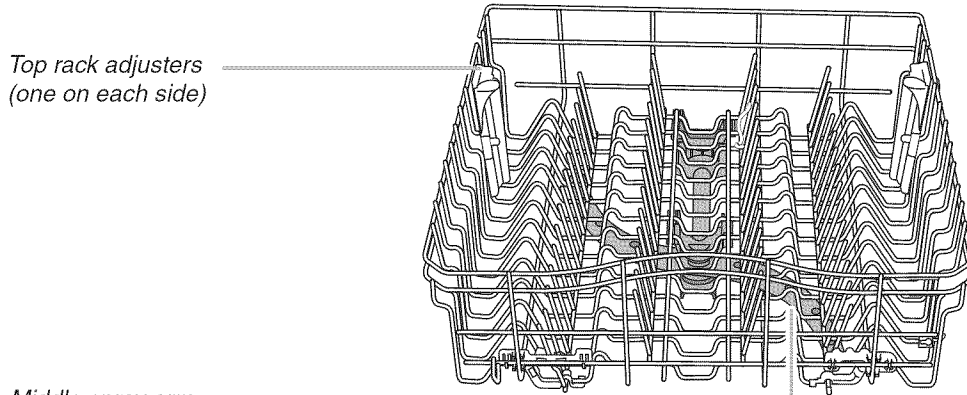
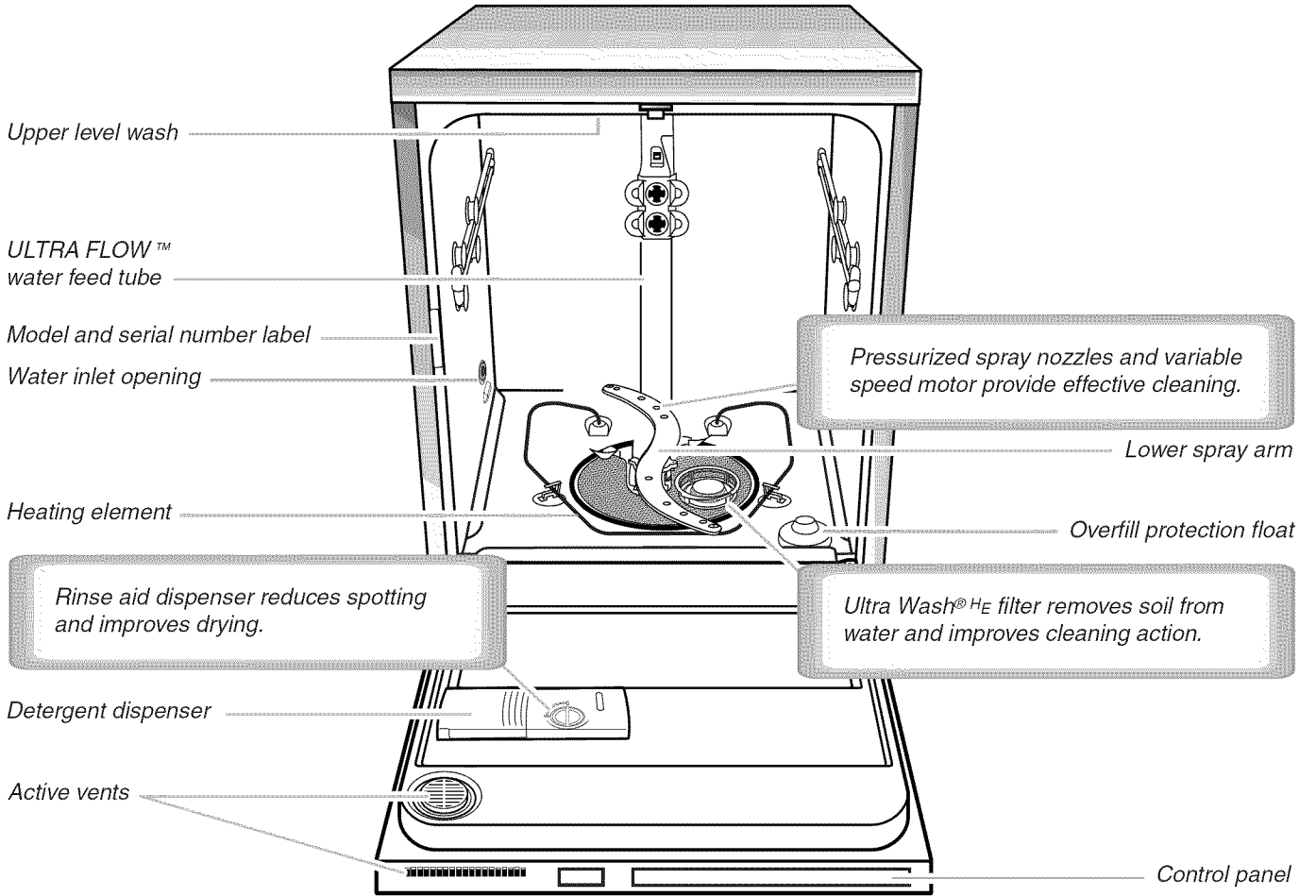
WARNING: Improper connection of the equipment-grounding conductor can result in a risk of electric shock. Check with a qualified electrician or service representative if you are in doubt whether the dishwasher is properly grounded. Do not modify the plug provided with the dishwasher; if it will not fit the outlet, have a proper outlet installed by a qualified electrician.

■ **For a permanently connected dishwasher:**

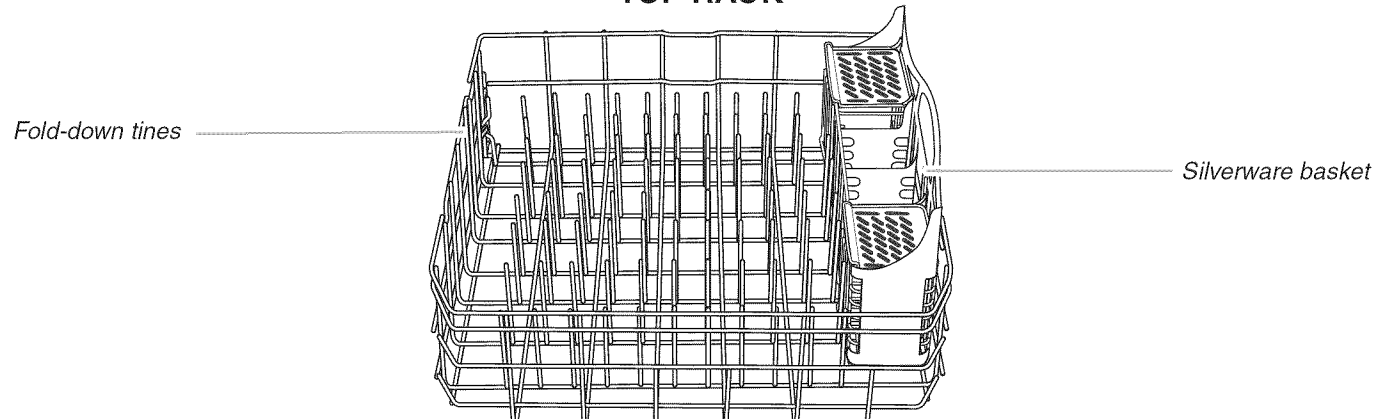
The dishwasher must be connected to a grounded metal, permanent wiring system, or an equipment-grounding conductor must be run with the circuit conductors and connected to the equipment-grounding terminal or lead on the dishwasher.

SAVE THESE INSTRUCTIONS

PARTS AND FEATURES



TOP RACK



START-UP / QUICK REFERENCE

CYCLES

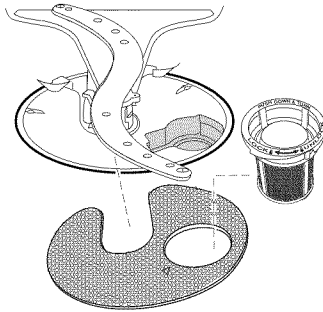


OPTIONS



ULTRA WASH^{HE} removable filters provide peak performance.

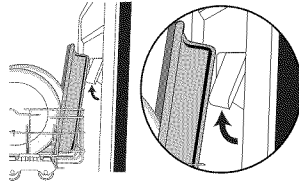
The triple filter system has a Coarse Filter to keep oversized items and foreign objects out of the pump, a Fine Filter to keep food from being recirculated onto your dishware, and a Micro Filter to capture very fine food particles.



See "ULTRA WASH^{HE} FILTRATION SYSTEM" for information on removing and maintaining the filters.

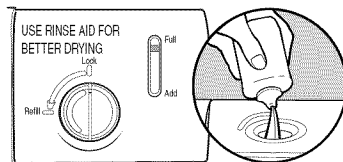
IMPORTANT: Do not block detergent dispenser.

Tall items placed in the lower rack may block the dispenser door. Cookie sheets and cutting boards loaded on the left-hand side of the dishwasher can easily block the dispenser. If detergent is inside of the dispenser or on the bottom of the tub after the cycle is complete, the dispenser was blocked.



Drying - Rinse Aid is Essential.

You must use rinse aid for good drying performance (sample included). Rinse aid along with the Heated Dry option will provide best drying and avoid excessive moisture in the dishwasher interior.



1 Hour Wash - When you need fast results.

To save water and energy, High Efficiency dishwashers use advanced filtration which may result in longer cycle times (in some cases over 2 hours). When you need fast results, the 1 Hour Wash will clean your dishes using slightly more water and energy. For improved drying, select the Heated Dry option, adding 1/2 hour.



SmartWash^{HE} cycle

Optical soil sensors are used twice in the cycle to provide optimal energy and water consumption based on load size, soil amount and toughness of soil. The sensors also automatically calibrate throughout the life of your dishwasher to maintain cleaning performance based on your water conditions.



Press START/RESUME every time you add a dish.

To start and resume a cycle, press START/RESUME and close the door within 3 seconds. If the door is not closed within 3 seconds, the start button LED will flash and the cycle will not start.



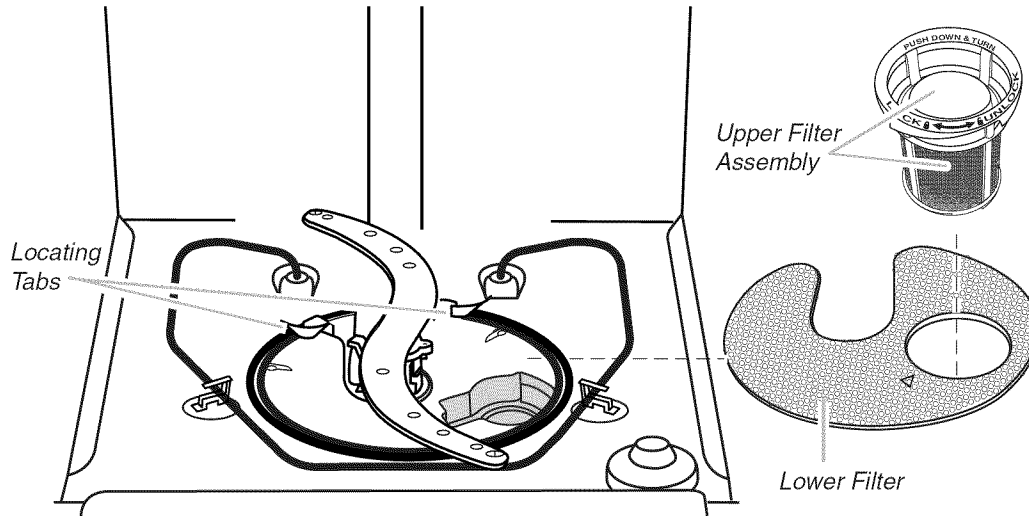
IMPORTANT: If anyone opens the door (such as, to add a dish, even during the Delay Hours option), the START/RESUME button must be pressed each time and the door closed within 3 seconds to resume the cycle.

ULTRA WASH[®] HE FILTRATION SYSTEM

Your dishwasher has the latest technology in dishwasher filtration. This triple filtration system minimizes sound and optimizes water and energy consumption while providing superior cleaning performance. Throughout the life of your dishwasher, the filter will require maintenance to sustain peak cleaning performance.

The triple filter system consists of 2 parts, an upper filter assembly and a lower filter.

- The upper filter assembly keeps oversized items and foreign objects, along with very fine food particles out of the pump.
- The lower filter keeps food from being recirculated onto your dishware.



The filters may need to be cleaned when:

- Visible objects or soils are on the Upper Filter Assembly.
- There is degradation in cleaning performance (that is, soils still present on dishes).
- Dishes feel gritty to the touch.

Removing and maintaining the filters is very easy. The chart below shows the recommended cleaning frequency.

Recommended time interval to clean your filter.

Number of Loads Per Week	If you wash before loading	If you scrape and rinse before loading	If you only scrape before loading*	If you do not scrape or rinse before loading
1-3	Once per year	Once per year	Twice per year	Every two months
4-7	Once per year	Once per year	Twice per year	Once per month
8-12	Once per year	Twice per year	Every three months	Every two weeks
13-14	Once per year	Twice per year	Every three months	Once per week

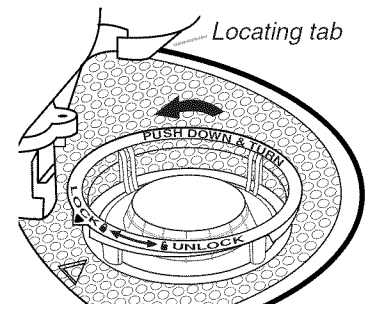
*Manufacturer's recommendation: This practice will eliminate the water and energy that you use preparing your dishes. This will also save you time and effort.

Very Hard Water

If you have hard water (above 15 grains), clean your filter at least once per month. Building up of white residue on your dishwasher indicates hard water. You may bring your water samples to Sears to check hardness level. For tips on removing spots and stains, see "Troubleshooting" section.

Filter Removal Instructions

1. Turn the Upper Filter Assembly $\frac{1}{4}$ turn counterclockwise and lift out.
2. Grasp the Lower Filter in the circular opening, lift slightly, and pull forward to remove.
3. Clean the filters as shown below.



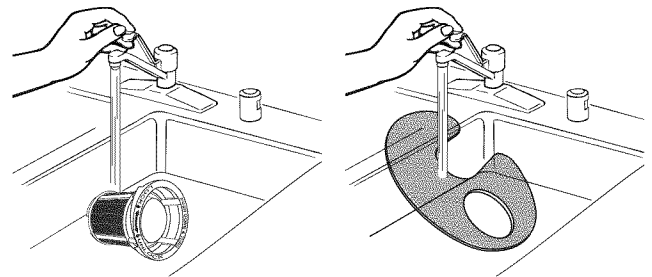
To remove Upper Filter Assembly

Cleaning Instructions

IMPORTANT:

Do not use wire brush, scouring pad, etc. as they may damage the filters.

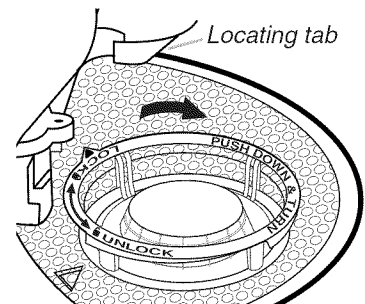
Rinse filter under running water until most soils are removed. If you have hard-to-remove soils or calcium deposits from hard water, a soft brush may be required.



Filter Reinstallation Instructions

1. Noting the previous illustrations, place the Lower Filter under the Locating Tabs in the bottom of the dishwasher so the round opening for the Upper Filter Assembly lines up with the round opening in the bottom of the tub.
2. Insert the Upper Filter Assembly into the circular opening in the Lower Filter.
3. Slowly rotate the filter clockwise until it drops into place. Continue to rotate until the filter is locked into place. If the filter is not fully seated (still turns freely), continue to turn the filter clockwise until it drops and locks into place.

NOTE: The Upper Filter Assembly arrow does not have to align with the arrow in the Lower Filter as long as the filter is locked.



To replace Upper Filter Assembly

IMPORTANT:

To avoid damage to dishwasher, do not operate your dishwasher without the ULTRA WASH^{®HE} filters properly installed. Be sure the Lower Filter is securely in place and the Upper Filter Assembly is locked into place. If the Upper Filter Assembly turns freely, it is not locked into place.

DISHWASHER EFFICIENCY TIPS

Hot water dissolves and activates the dishwasher detergent. Hot water also dissolves grease on dishes and helps glasses dry spot-free. For best dishwashing results, water should be 120°F (49°C) as it enters the dishwasher. Loads may not wash as well if the water temperature is too low.

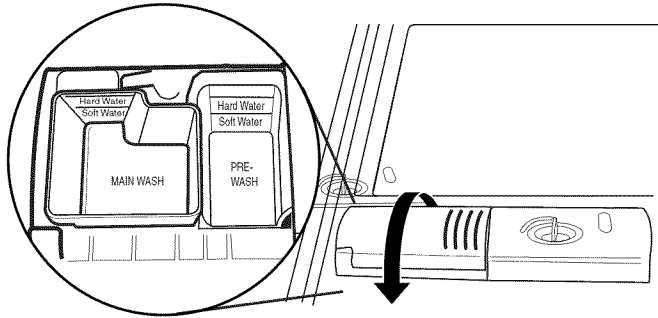
Additional efficiency tips

- To save water, energy and time, only scrape dishes. Do not rinse dishes before putting them into the dishwasher.
- Use a delay feature to run your dishwasher during off-peak hours. Local utility providers recommend avoiding heavy usage of energy at certain times of day.
- During the summer, run your dishwasher at night. This reduces daytime heat buildup in the kitchen.

Use a rinse aid to improve drying.

DETERGENT AND RINSE AID

Detergent



IMPORTANT:

Use only automatic dishwashing detergent. Hand dishwashing detergent will produce excessive suds and overflow out of the dishwasher.

Recommended Detergent Amount

Add recommended amount of detergent to each cup as shown and close the detergent lid.

Powders and Gels

Water Hardness	Soil Level	Pre-Wash Cup	Main Wash Cup
Soft (0-4 grains per U.S. gallon)	Light	None	½
	Normal	None	½
	Heavy	Full	½
Medium (5-9 grains per U.S. gallon)	Light	None	½
	Normal	½	½
	Heavy	Full*	Full*
Hard (10-14 grains per U.S. gallon)	Light	½	Full*
	Normal	Full*	Full*
	Heavy	Full*	Full*

*Full pre-wash cup contains 7 tsp (35 mL), and full main wash cup contains 9 tsp (45 mL).

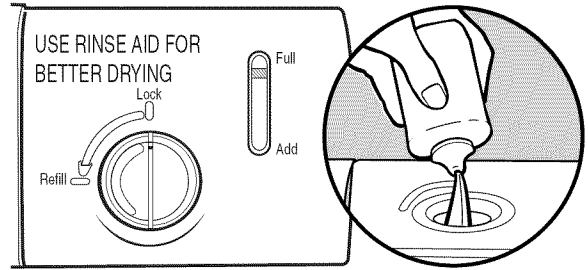
Premeasured Detergents

Many detergents now come in premeasured forms (gel packs, tablets, or powder packs). These forms are suitable for all hardness and soil levels. Always place premeasured detergents in the main cup and close the lid.

IMPORTANT:

Extremely hard water mineral deposits (15 grains per U.S. gallon or more) can cause damage to your dishwasher and make it difficult to achieve good results. A water softener is recommended to avoid damage and achieve good results. You may bring your water samples to Sears to check hardness level.

Rinse Aid



IMPORTANT:

Your dishwasher is designed to use a liquid rinse aid. The use of rinse aids greatly improves drying by allowing water to drain from the dishes after the final rinse. They also keep water from forming droplets that can dry as spots or streaks.

Filling the dispenser

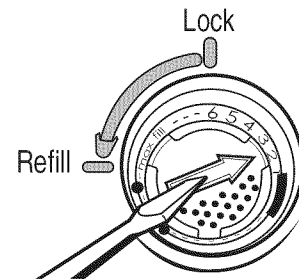
The dispenser holds 5 oz (150 mL) of rinse aid. Under most conditions this will last 1 to 3 months.

1. Turn the knob to the REFILL position and remove.
2. Pour rinse aid into the opening until the indicator points to FULL. Do not overfill.
3. Clean up any spilled rinse aid. Spilled rinse aid can create excessive suds.
4. Replace the knob and turn to the LOCK position.

NOTE: Indicator reads correct fill level when door is completely opened.

Rinse Aid Setting

Your rinse aid dispenser is adjustable. For most water conditions, the factory setting of 2 will give good results. If you have hard water and notice calcium buildup on your dishware, you may want to try a higher setting.



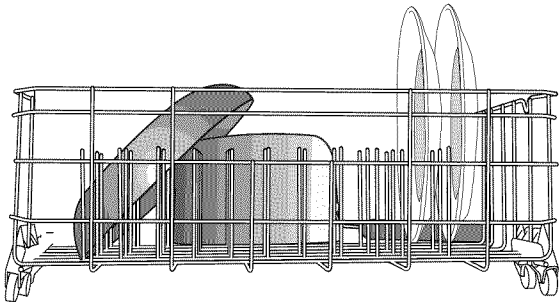
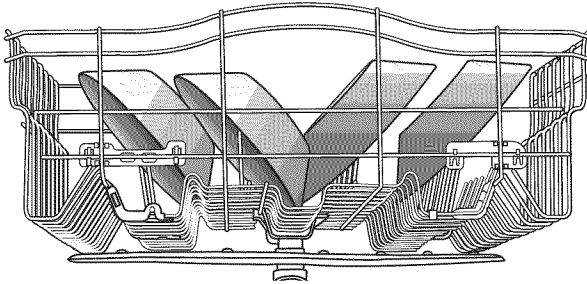
To adjust the setting

1. Turn the knob to the REFILL position and remove.
2. Turn the arrow inside the dispenser to the desired setting.
3. Replace the knob and turn to the LOCK position.

LOADING

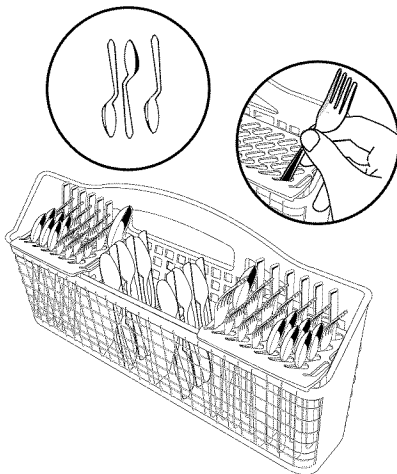
Loading For Best Performance

1. Angle dirtiest dish surfaces downward and allow space for water to flow up through each rack and between dishware.

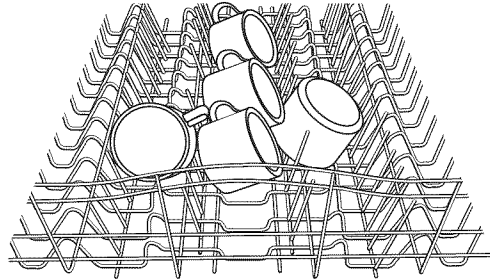


Separating allows water flow.

2. For best silverware cleaning use the slots in the covers to keep items separated.

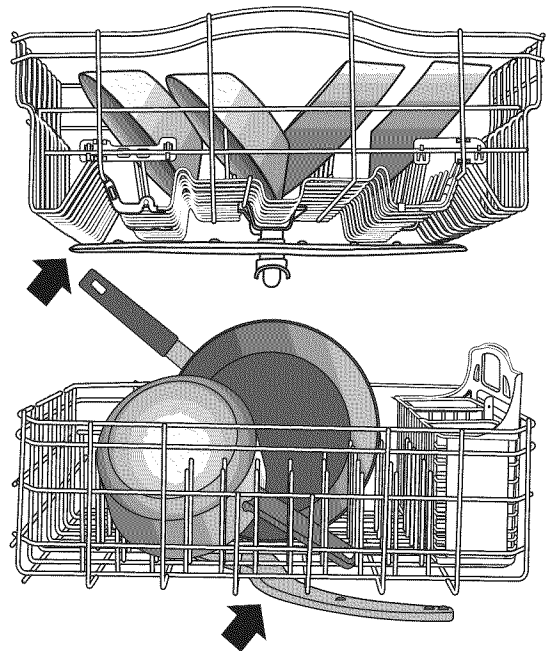


3. Angle concave surfaces such as the bottom of coffee cups to allow water to drain and improve drying performance.



Angled surfaces

4. Check that all spray arms spin freely before every cycle.

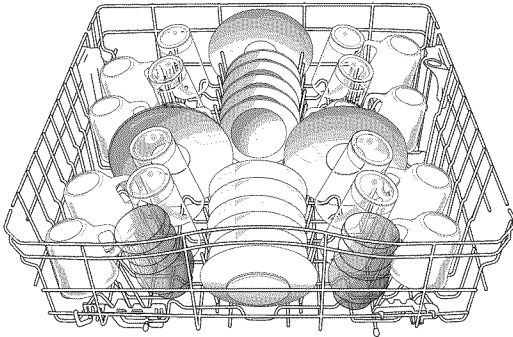


Spray arms spin freely.

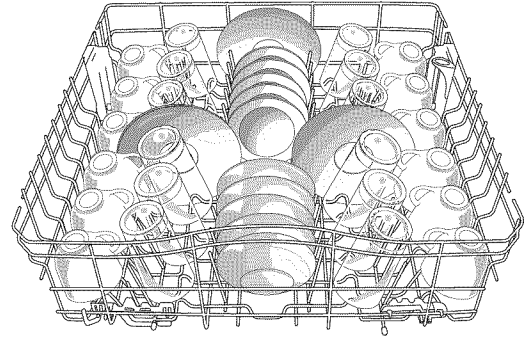
Top Rack Loading

Loading Recommendations

Place cups and glasses in the rows between tines. Placing them over the tines can lead to breakage and water spots. To avoid damage to your delicate items, be sure china, crystal, stemware and other similar items do not touch during dishwasher operation. Load lightweight and dishwasher-safe plastic items only in the top rack.



10 place load

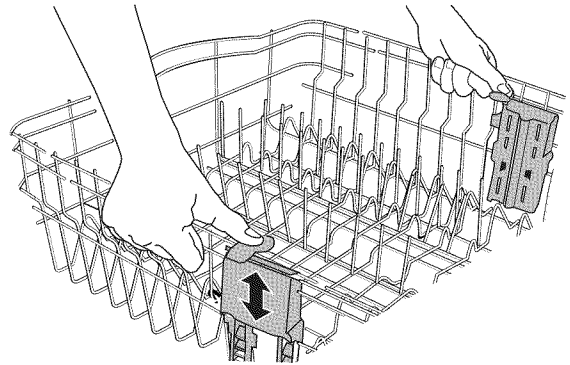


12 place load

Deluxe Adjustable 2-position Rack

You can raise or lower the top rack to fit tall items in either the top or bottom rack. Adjusters are located on each side of the top rack. Raise the top rack to accommodate items up to 9" (22 cm) in the top rack and 13" (33 cm) in the bottom rack, or lower the top rack to accommodate items up to 11" (28 cm) in both the top and bottom racks.

1. To raise, lift rack until both sides are at the same height and lock.
2. To lower, depress both tabs on rack adjusters, as shown, and lower.



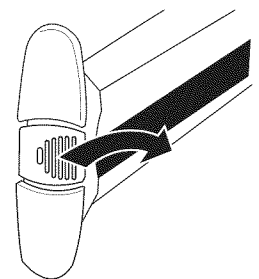
Removable Top Rack

The removable top rack allows you to wash larger items such as pots, roasters, and cookie sheets in the bottom rack.

IMPORTANT: Remove dishes prior to removing the top rack from dishwasher.

To remove the top rack

1. Pull the rack forward slightly to access clips.
2. While pressing the ridges in, push back on the clip until the outer side releases. Slide the clip to the inside of the track edge to remove the clip.
3. After removing both clips, pull rack out.



To replace the top rack

1. Place the rollers on each side of the rack into the rack tracks and push the rack back.
2. Align the open side of the clip with the inside edge of the rack track.
3. Push the ridges and slide the clip toward the outside rack edge until it locks into place.
4. Repeat on the other side.
5. Pull the rack out all of the way to ensure clips are fully seated.

Bottom Rack Loading

Loading Recommendations

The bottom rack is best suited for plates, pans, casseroles, and utensils. (See recommended loading patterns shown.)

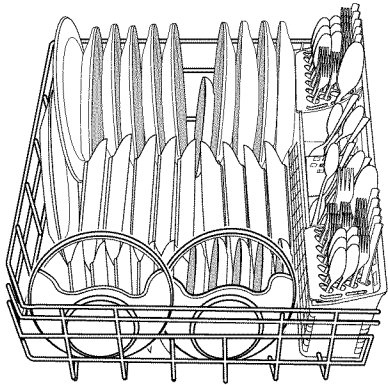
Load small items in the bottom rack only if they are secured in place.

Load plates, soup bowls, etc., between tines.

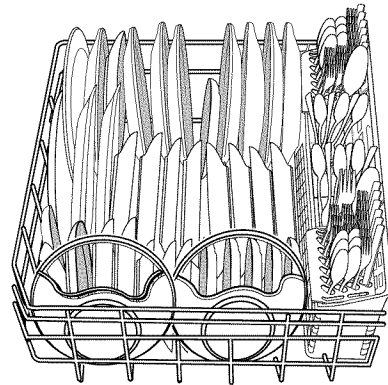
Load bowls securely between the rows of tines. Ensure that there is space between dishes so that the spray will reach all surfaces.

Load heavily soiled items facing the spray.

NOTE: Ensure that detergent dispenser is not blocked by tall items such as cookie sheets and cutting boards placed at the left-hand front of rack. See “Start Up/Quick Reference” section.



10 place load

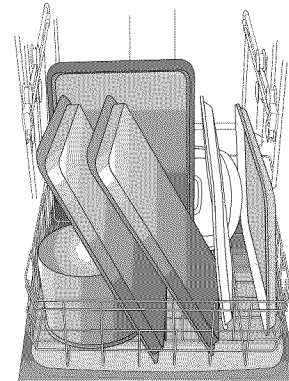
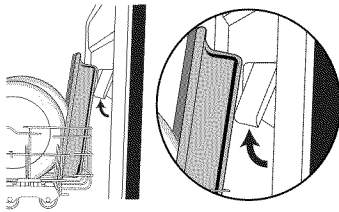


12 place load

Loading Tall Items

You can wash larger items such as pots, roasters, and cookie sheets in the bottom rack by removing the top rack. See “Top Rack Loading” section.

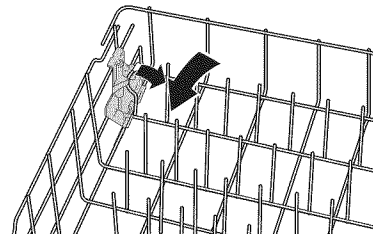
IMPORTANT: Do not block detergent dispenser.



Fold-down tines

You can fold down one row of tines at the back of the bottom rack.

1. Grasp the tip of the tine that is in the tine holder.
2. Gently pull the tine out of the tine holder.
3. Lay the row of tines down in the rack to make room for larger dishes, bowls, pots, pans or roasters.

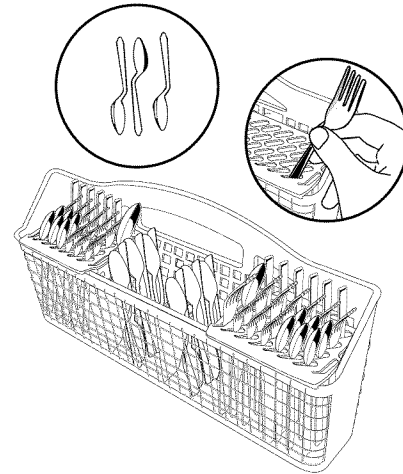


Loading Silverware

Use suggested loading patterns, as shown, to better clean your silverware.

Use the slots in the covers to keep your silverware separated for optimum wash. (See illustration, right.)

NOTE: If your silverware does not fit into the designated slots, flip the covers up and mix silverware types to keep them separated. Load knives down, forks up, and alternate spoons as illustrated, for best cleaning results.



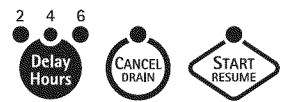
DISHWASHER USE

Cycles and Options Information

CYCLES



OPTIONS



Cycles	Soil Level	Time* (mins.) w/o Options		Water Usage Gallons (Liters)
		Typical**	Max	
SmartWash^{HE} cycle The most advanced and versatile cycle. This cycle senses the load size, soil amount, and toughness of soil. This cycle is optimized to achieve outstanding cleaning with minimal water and energy.	Light to Medium	110	163	4.2 (15.9)
	Tough/Baked-On	135	194	4.8 (18.2)
	Heavy	135	194	6.9 (26.1)
Pots Pans Works best on your toughest items such as casseroles with baked-on food residue.	Light to Medium	140	202	4.8 (18.2)
	Heavy/Baked-On	150	203	6.9 (26.1)
Normal Wash Senses the soil level and makes adjustments in the water and energy used. The Energy Guide information is based on this cycle.	Light to Medium	110	161	4.2 (15.2)
	Heavy	130	193	6.9 (26.1)
China Gentle Provides a light wash and gentle dry for delicate items such as china and crystal.	Light to Medium	105	161	4.2 (15.2)
	Heavy	125	194	6.9 (26.1)

1 Hour Wash To save water and energy, High Efficiency dishwashers use advanced filtration which may result in longer cycle times (in some cases over 2 hours). When you need fast results, the 1 Hour Wash will clean your dishes using slightly more water and energy. For improved drying, select the Heated Dry option, adding ½ hour.	All soil levels	58	58	8.0 (30.3)
---	-----------------	----	----	---------------

Quick Rinse A 15-minute rinse for reducing food odor and keeping food residue from drying. Do not use detergent.	All soil levels	15	16	2.1 (7.9)
--	-----------------	----	----	--------------

*Adding options will add time to the cycle. See options information section.

**This is the approximate cycle time obtained with 120°F (49°C) hot water available at the dishwasher. Increase in time results from low temperature of the incoming water.

Options	Can be selected with	What it does	Added time to cycle		Added Water† Gallons (Liters)
			Typical	Max	
Hi Temp Raises the main wash temperature to improve cleaning. When used with the Normal Wash cycle this will provide a little extra tough cleaning capability, but not as much as the Pots Pans cycle.	SmartWash^{®HE} Pots Pans Normal Wash	Raises the main wash temperature from 105°F (41°C) to 120°F (49°C).	22	37	0 - 2.1 (0 - 7.9)
Sani Rinse This high temperature option sanitizes your dishes and glassware in accordance with National Sanitation Foundation (NSF)/ANSI Standard 184 for Residential Dishwashers. Certified residential dishwashers are not intended for licensed food establishments. The green sanitized light indicates that the Sani Rinse option was successfully completed.	SmartWash^{®HE} Pots Pans Normal Wash	Increases the main wash temperature from 105°F (41°C) to 120°F (49°C) and the final rinse from 140°F (60°C) to 155°F (68°C).	37	57	0 - 2.1 (0 - 7.9)
Heated Dry Turns the heat element on after the wash cycle is completed. Use rinse aid with or without the Heated Dry option for best drying results. Plastic items are less likely to deform when loaded in the top dish rack.	Available with any cycle except Quick Rinse	Turns the heat element on at the end of the wash cycle.	26	32	0

†The maximum additional water used for any combination of options is 2.1 gal. (7.9 L).

Delay Hours Use this option to run your dishwasher during off-peak hours. Local utility providers recommend using energy during off-peak hours when possible.
To delay the start
<ol style="list-style-type: none"> 1. Select a wash cycle and options. 2. Press the delay button to choose the number of hours to be delayed. 3. Press START/RESUME and firmly close the door within 3 seconds. The dishwasher starts in the selected number of hours.
NOTE: Anytime the door is opened (such as, to add a dish), the START/RESUME button must be pressed again, within 3 seconds of closing the door, to resume the delay countdown.

Control Lock Option

Use the Control Lock option to avoid unintended use of the dishwasher between cycles. When LOCK ON is lit, all buttons are disabled. The dishwasher door can still be opened/closed while the controls are locked.

To turn on the Lock

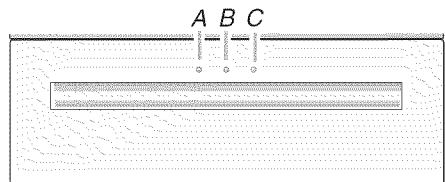
Press and hold HEATED DRY for 4 seconds. LOCK ON will light up. If you press any pad while your dishwasher is locked, the light flashes 3 times.

NOTE: The dishwasher cannot run if the control is locked.

To turn off the Lock

Press and hold HEATED DRY for 4 seconds. The light turns off.

Status Indicator Lights



- A. Wash cycle
- B. Dry cycle
- C. Clean light

Front Panel Lights - The left light (red), indicates the dishwasher is in the wash cycle. The middle light (red), indicates the dishwasher is in the dry cycle. The right light (blue), Clean light, indicates the cycle is complete and ready to unload. If the Clean light is blinking, see "Troubleshooting" section.

Canceling A Cycle

1. Open the door slightly to stop the cycle. Wait for the spraying action to stop before completely opening the door.
2. Press CANCEL/DRAIN button once. The Cancel/Drain light will light up.
3. Close the door within 3 seconds. The dishwasher starts a drain cycle (if water remains in bottom of dishwasher). Let the dishwasher drain completely. The Cancel/Drain light turns off after 2 minutes.

Changing A Cycle After Dishwasher Is Started

You can interrupt a cycle and restart your dishwasher from the beginning using the following procedure.

1. Open the door slightly to stop the cycle. Wait for the spraying action to stop, then open the door completely.
2. Check that detergent dispenser cover is still closed. If cover is open, you will need to refill the detergent dispenser before restarting your new cycle.
3. Press CANCEL/DRAIN twice to reset the control.
4. Select new cycles and options.
5. Press START/RESUME and firmly close the door within 3 seconds.

NOTE: If the door is not closed within 3 seconds of pressing Start/Resume, press START/RESUME again.

Adding A Dish After Dishwasher Is Started

1. Open the door slightly to stop the cycle. Wait for the spraying action to stop, then open the door completely.
2. Check whether the detergent dispenser cover is still closed. If it is open, the wash cycle has already started and adding a dish is not recommended.
3. If detergent has not yet been used (detergent dispenser cover is closed), you may add a dish.
4. Press START/RESUME and firmly close the door within 3 seconds.

WASHING SPECIAL ITEMS

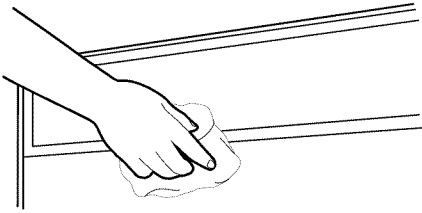
If you have doubts about washing a particular item, check with the manufacturer to see if it is dishwasher safe.

Material	Dishwasher Safe?	Comments
Aluminum	Yes	High water temperature and detergents can affect finish of anodized aluminum.
Disposable Aluminum	No	Do not wash disposable aluminum pans in the dishwasher. These might shift during washing and transfer black marks to dishes and other items.
Bottles and Cans	No	Wash bottles and cans by hand. Labels attached with glue can loosen and clog the wash system and reduce washing performance.
Cast Iron	No	Seasoning will be removed and then will rust.
China/Stoneware	Yes	Always check manufacturer's recommendations before washing. Antique, hand-painted, or over-the-glaze patterns may fade. Gold leaf can discolor or fade.
Crystal	Yes	Always check manufacturer's recommendations before washing. Some types of leaded crystal can etch with repeated washing.
Gold	No	Gold-colored flatware will discolor.
Glass	Yes	Milk glass material yellows with repeated dishwasher washing.
Hollow-Handle Knives	No	Handles of some knives are attached to the blade with adhesives which can loosen if washed in the dishwasher.
Pewter, Brass, Bronze, and Copper	No	High water temperatures and detergent can discolor or pit the finish.
Disposable Plastics	No	Cannot withstand high water temperatures and detergents.
Plastics	Yes	Always check manufacturer's recommendations before washing. Plastic items may vary in their ability to withstand high temperatures and detergents. It is recommended that lightweight items such as lids and butter dishes be placed in the upper rack only. Sturdy items such as coolers and high-chair trays may be placed in the lower rack. When washing plastic items in the lower rack, it is recommended not to use the Heated Dry option.
Stainless Steel	Yes	Run a rinse cycle if not washing immediately. Prolonged contact with food containing salt, vinegar, milk products, or fruit juice can damage finish.
Sterling Silver or Silver Plate	Yes	Run a rinse cycle if not washing immediately. Prolonged contact with food containing salt, acid, or sulfide (eggs, mayonnaise, and seafood) can damage finish.
Tin	No	Not recommended.
Wooden Ware	No	Wash by hand. Always check manufacturer's instructions before washing. Untreated wood can warp, crack, or lose its finish.

DISHWASHER CARE

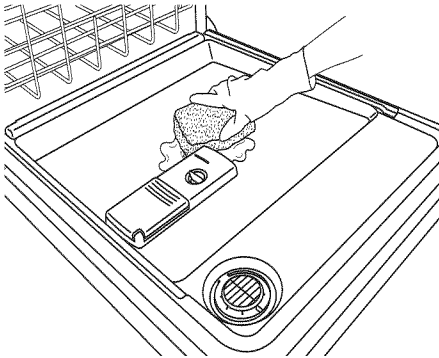
Cleaning

Cleaning the exterior



In most cases, regular use of a soft, damp cloth or sponge and a mild detergent is all that is necessary to keep the outside of your dishwasher looking nice and clean. If your dishwasher has a stainless steel exterior, a stainless steel cleaner is recommended.

Cleaning the interior



Hard water minerals can cause a white film to build up on the inside surfaces, especially just beneath the door area.

Do not clean the dishwasher interior until it has cooled. You may want to wear rubber gloves. Do not use any type of cleanser other than dishwasher detergent because it may cause foaming or sudsing.

To clean interior

Make a paste with powdered dishwasher detergent on a damp sponge and clean.

OR

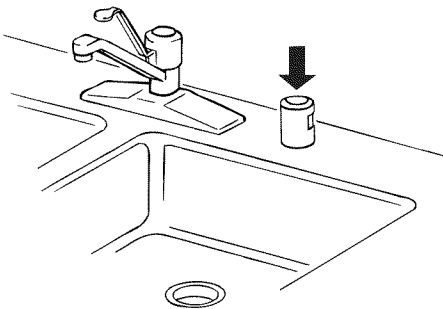
Use liquid automatic dishwasher detergent and clean with a damp sponge.

OR

See the vinegar rinse procedure in “Spotting and filming on dishes” in “Troubleshooting” section.

NOTE: Run a normal cycle with dishwasher detergent after cleaning the interior.

Drain Air Gap



Some state or local plumbing codes require the addition of a drain air gap between a built-in dishwasher and the home drain system. Check the drain air gap when your dishwasher is not draining well.

The drain air gap is usually located on top of the sink or countertop near the dishwasher. To order a drain air gap, please call **1-800-4-MY-HOME®**. Ask for Part Number 300096.

NOTE: The drain air gap is an external plumbing device that is not part of your dishwasher. The warranty provided with your dishwasher does not cover service costs directly associated with the cleaning or repair of the external drain air gap.

To clean the drain air gap

Clean the drain air gap periodically to ensure proper drainage of your dishwasher. With most types, you lift off the chrome cover. Unscrew the plastic cap. Then check for any soil buildup. Clean if necessary.

Storing

Storing for the summer

If your dishwasher is not in use during the summer months, turn off the water supply and power supply to the dishwasher.

Storing for the winter

Avoid possible water damage to your home and dishwasher due to freezing water lines. If your dishwasher is left in a seasonal dwelling or could be exposed to near freezing temperatures, have your dishwasher winterized by authorized service personnel.

TROUBLESHOOTING

First try the solutions suggested here and possibly avoid the cost of a service call...

Dishwasher is not operating properly

■ Dishwasher does not run or stops during a cycle

Is the door closed tightly and latched?

Is the right cycle selected? Refer to the “Cycles and Options Information” section.

Is there power to the dishwasher? Has a household fuse blown, or has a circuit breaker tripped? Replace the fuse or reset the circuit breaker. If the problem continues, call an electrician.

Has the motor stopped due to an overload? The motor automatically resets itself within a few minutes. If it does not restart, call for service.

Is the water shutoff valve (if installed) turned on?

It is normal for certain cycles to repeatedly pause for several seconds during the wash cycle.

■ START/RESUME light is flashing

Was the door opened during the cycle, or was the power interrupted? The Start/Resume light will flash when the door is opened during a cycle, or may flash if the power is interrupted. Press START/RESUME to resume the cycle. Make sure the door is fully closed and latched.

NOTE: On top control models, if the door is not closed within 3 seconds of pressing Start/Resume, press START/RESUME again.

■ Clean light is flashing

Check the following:

- Is the overfill protection float able to move up and down freely? Press down to release.
- Be sure the water supply is turned on to the dishwasher. (This is very important following the new installation of your dishwasher.)
- Check for suds in the dishwasher. If foam or suds are detected by the dishwasher sensing system, the dishwasher may not operate properly or may not fill with water.

Suds can come from:

1. Using the incorrect type of detergent, such as dish detergent for hand washing dishes, laundry detergent, or hand soap.
2. Forgetting to replace the rinse aid dispenser cap after filling (or refilling) the rinse aid.
3. Using an excessive amount of dishwasher detergent.

■ Dishwasher will not fill

Be sure the water supply is turned on to the dishwasher. (This is very important following the new installation of your dishwasher.)

Check for suds in the dishwasher. If foam or suds are detected, the dishwasher may not operate properly or may not fill with water. (See “Clean light is flashing” section for more information.)

Is the overfill protection float able to move up and down freely? Press down to release.

■ Dishwasher seems to run too long

Try 1 Hour Wash cycle (on some models).

When selecting cycles that are more energy efficient and use less water, the duration of the cycle typically will be as long as 3 hours.

Some options will add time to the cycle. See “Cycles and Options Information” section. The Heated Dry option adds ½ hour.

Run the hot water at a faucet close to the dishwasher before starting the cycle.

Is the water supplied to the dishwasher hot enough? The dishwasher runs longer while heating water. To avoid longer delays while the dishwasher heats water that is too cool, make sure that the water is 120°F (49°C) as it enters the dishwasher. Refer to the “Dishwasher Efficiency Tips” section.

A delay automatically occurs in some wash and rinse cycles until the water reaches the proper temperature.

■ Water remains in the dishwasher

Is the cycle complete?

Was the disposer knockout plug removed during installation? (See “Install the drain hose” in the Installation Instructions.)

■ Detergent remains in the covered section of the dispenser

Check for items such as cookie sheets, cutting boards, or large containers that may be blocking the detergent dispenser from opening properly.

Be sure the cycle has finished (green light is on). If it has not finished, you will need to resume the cycle by pressing START/RESUME and closing the door within 3 seconds.

Is the detergent lump-free? Replace detergent if necessary.

Is the bottom rack installed properly with the bumpers (on some models) in the front? Refer to the “Parts and Features” section. Reinstall the rack if necessary.

■ **White residue on the front of the access panel**

Was too much detergent used? Refer to the “Detergent” section.

Is the brand of detergent making excess foam? Try a different brand to reduce foaming and eliminate buildup.

■ **Odor in the dishwasher**

Are dishes washed only every 2 or 3 days? Run a rinse cycle once or twice a day until you have a full load.

Does the dishwasher have a new plastic smell? Run a vinegar rinse as described in the section “Spotting and filming on dishes.”

■ **Condensation on the kitchen counter (built-in models)**

Is the dishwasher aligned with the countertop? Moisture from the vent in the dishwasher console can form on the counter. Refer to the Installation Instructions for more information.

■ **Bottom rack does not fully slide into the dishwasher**

Check to see if items have shifted. Reload to keep items from interfering with spray arm. (See “Bottom Rack Loading.”)

Dishes are not completely clean

■ **Food soil left on the dishes**

Is the dishwasher loaded correctly? Refer to the “Loading” section.

Is the water temperature too low? For best dishwashing results, water should be 120°F (49°C) as it enters the dishwasher. Refer to the “Dishwasher Efficiency Tips” section.

Did you use the correct amount of fresh detergent? Use recommended dishwasher detergents only. Refer to the “Detergent” section. Detergent must be fresh to be effective. Store detergent in a cool, dry area. Heavy soil and/or hard water generally require extra detergent.

Do you have hard water? You may need to increase the amount of detergent you are using. Refer to the “Detergent” section. Also, you may need to switch to a detergent with a phosphorus content of 8.7%.

Is detergent caked in dispenser? Use fresh detergent only. Do not allow detergent to sit for several hours in a wet dispenser. Clean dispenser when caked detergent is present.

Is the wash system clogged by labels from bottles and cans? Be sure to remove all labels from bottles and cans before washing.

Is the home water pressure high enough for proper dishwasher filling? Home water pressure should be 20 to 120 psi (138 to 828 kPa) for proper dishwasher fill. If you have questions about your water pressure, call a licensed, qualified plumber.

Are high suds slowing the wash arm? Do not use soap or laundry detergents. Use recommended dishwasher detergents only.

Spots and stains on dishes

■ **Spotting and filming on dishes**

Is your water hard or is there a high mineral content in your water? Conditioning the final rinse water with a liquid rinse aid helps eliminate spotting and filming. Keep the rinse aid dispenser filled.

Is the water temperature too low? For best dishwashing results, water should be 120°F (49°C) as it enters the dishwasher. Refer to the “Dishwasher Efficiency Tips” section.

Did you use the correct amount of effective detergent? Use recommended dishwasher detergents only. Refer to the “Detergent” section. Detergent must be fresh to be effective. Store detergent in a cool, dry area. Heavy soil and/or hard water generally require extra detergent.

Is the home water pressure high enough for proper dishwasher filling? Home water pressure should be 20 to 120 psi (138 to 828 kPa) for proper dishwasher fill. If you have questions about your water pressure, call a licensed, qualified plumber.

NOTE: To remove spots and film from dishes, try a white vinegar rinse. This procedure is intended for occasional use only. Vinegar is an acid, and using it too often could damage your dishwasher.

1. Wash and rinse dishes. Use an air-dry or an energy saving dry option. Remove all silverware or metal items.
2. Put 2 cups (500 mL) white vinegar in a glass or dishwasher-safe measuring cup on the bottom rack.
3. Run the dishwasher through a complete washing cycle using an air-dry option. Do not use detergent. Vinegar will mix with the wash water.

■ **Silica film or etching (silica film is a milky, rainbow-colored deposit; etching is a cloudy film)**

Sometimes there is a water/chemical reaction with certain types of glassware. This is usually caused by some combination of soft or softened water, alkaline washing solutions, insufficient rinsing, overloading the dishwasher, and the heat of drying. It might not be possible to avoid the problem, except by hand washing.

To slow this process use a minimum amount of detergent per load. Refer to the “Detergent” section. Use a liquid rinse aid and underload the dishwasher to allow thorough rinsing. Silica film and etching are permanent and cannot be removed. Do not use heated drying.

■ **White spots on cookware with nonstick finish**

Has the dishwasher detergent removed cookware seasoning? Reseason cookware after washing in the dishwasher.

■ **Brown stains on dishes and dishwasher interior**

Does your water have high iron content? Rewash dishes using 1-3 tsp (5-15 mL) of citric acid crystals added to the covered section of the detergent dispenser. Do not use detergent. Follow with a Normal wash cycle with detergent. If treatment is needed more often than every other month, the installation of an iron removal unit is recommended.

■ **Black or gray marks on dishes**

Are aluminum items rubbing dishes during washing? Disposable aluminum items can break down in the dishwasher and cause marking. Hand wash these items. Remove aluminum markings by using a mild abrasive cleaner.

■ **Orange stains on plastic dishes or dishwasher interior**

Are large amounts of tomato-based foods on dishes placed in the dishwasher? Stains gradually fade over time. Regular use of heated drying will slow fading. Stains will not affect dishwasher performance. Regular use of a rinse cycle and an air-dry or energy-saving dry option will reduce the likelihood of staining.

Dishes do not dry completely

■ **Dishes are not dry**

Did you load your dishwasher to allow proper water drainage? Do not overload. Refer to the "Loading" section. Use a liquid rinse aid to speed drying.

Are the plastics wet? Plastics often need towel drying.

Is the rinse aid dispenser empty? Refer to the "Rinse Aid" section.

Did you use an air-dry option? Use a heated drying option for dryer dishes.

Dishes are damaged during a cycle

■ **Chipping of dishes**

Did you load the dishwasher properly? Load the dishes and glasses so they are stable and do not strike together from washing action. Minimize chipping by moving the rack in and out slowly.

NOTE: Antiques, feather-edged crystal, and similar types of china and glassware might be too delicate for automatic dishwashing. Wash by hand.

Noises

■ **Grinding, grating, crunching or buzzing sounds**

A hard object has entered the wash module (on some models). When the object is ground up, the sound should stop. If the noise persists after a complete cycle, call for service.

Dishwasher exterior is dirty or marked

■ **Marks, smudges or residue on dishwasher exterior**

Did you clean the dishwasher with a mild detergent and cloth or use a stainless steel cleaner on models with a stainless steel exterior? In most cases, regular use of a soft, damp cloth or sponge and a mild detergent is all that is necessary to keep the outside of your dishwasher looking fresh and clean. If your dishwasher has a stainless steel exterior, a stainless steel cleaner is recommended.

Notes

ÍNDICE

CONTRATOS DE PROTECCIÓN	23	CÓMO CARGAR.....	32
GARANTÍA	24	Cómo cargar para el mejor funcionamiento.....	32
SEGURIDAD DE LA LAVAVAJILLAS.....	25	Cómo cargar la canasta superior	33
PIEZAS Y CARACTERÍSTICAS.....	27	Cómo cargar la canasta inferior.....	34
PUESTA EN MARCHA / REFERENCIA RÁPIDA.....	28	USO DE LA LAVAVAJILLAS.....	35
Los filtros desmontables ULTRA WASH® proporcionan		Información sobre los ciclos y opciones	35
un rendimiento óptimo.....	28	Cómo cancelar un ciclo	37
IMPORTANTE: No bloquee el depósito del detergente.....	28	Cómo cambiar un ciclo después de iniciar la lavavajillas	37
Secado - el agente de enjuague es fundamental.....	28	Cómo agregar un artículo después de iniciar la lavavajillas	38
1 Hour Wash (Lavado en 1 hora) - Cuando		CÓMO LAVAR ARTÍCULOS ESPECIALES	38
necesita resultados rápidos.....	28	CUIDADO DE LA LAVAVAJILLAS.....	39
Ciclo SmartWash®.....	28	Limpieza	39
Presione START/RESUME cada vez que agrega un artículo. ..	28	Purga de aire del desagüe	39
SISTEMA DE FILTRACIÓN ULTRA WASH®	29	Cómo guardar	39
CONSEJOS PARA LA EFICIENCIA DE LA LAVAVAJILLAS.....	30	SOLUCIÓN DE PROBLEMAS	40
DETERGENTE Y AGENTE DE ENJUAGUE.....	31	NÚMEROS DE SERVICIO.....	CONTRAPORTADA
Detergente.....	31		
Agente de enjuague.....	31		

CONTRATOS DE PROTECCIÓN

Contratos maestros de protección

¡Felicitaciones por su inteligente adquisición! Su nuevo producto Kenmore® está diseñado y fabricado para proporcionarle años de funcionamiento confiable. Pero al igual que todos los productos, puede necesitar mantenimiento preventivo o reparación de vez en cuando. Es allí donde el Contrato maestro de protección puede ahorrarle dinero e inconvenientes.

El Contrato maestro de protección también ayuda a prolongar la vida de su nuevo producto. He aquí lo que se incluye en el Contrato*:

- ✓ **Piezas y mano de obra** necesarias para ayudar a mantener los productos funcionando correctamente **bajo uso normal**, no sólo en caso de defectos. Nuestra cobertura va **mucho más allá de la garantía del producto**. No existen deducibles ni fallas de funcionamiento que estén excluidas de la cobertura — **protección verdadera**.
- ✓ **Servicio experto** a cargo de un personal de más de 10.000 **técnicos de servicio autorizados por Sears**, lo que significa que su producto será reparado por alguien en quien usted puede confiar.
- ✓ **Llamadas de servicio ilimitado y servicio en todo el país**, con la frecuencia que usted desee, cuando usted desee.
- ✓ **Garantía “sin disgustos”** – reemplazo de su producto protegido si ocurren cuatro fallas o más del producto en el transcurso de doce meses.
- ✓ **Reemplazo del producto** si su producto protegido no puede ser reparado.
- ✓ **Revisión anual de mantenimiento preventivo** a solicitud suya – sin costo adicional.
- ✓ **Ayuda rápida por teléfono** – lo que nosotros llamamos **Solución rápida** – apoyo por teléfono a cargo de un representante de Sears para todos los productos. Piense en nosotros como si fuéramos un “manual parlante para el propietario”.

- ✓ **Protección de sobrevoltaje** contra daños eléctricos debido a fluctuaciones de electricidad.
- ✓ **Protección por pérdida de comida, por un valor anual de \$250**, por cualquier pérdida de comida que sea como resultado de fallas mecánicas de cualquier refrigerador o congelador cubierto bajo la garantía.
- ✓ **Reembolso de la renta** si la reparación de su producto protegido tarda más de lo prometido.
- ✓ **10% de descuento** sobre el precio común por el servicio de reparación que no esté bajo protección, así como también las piezas relacionadas con el mismo que se hayan instalado.

Una vez adquirido el Contrato, tan sólo tiene que llamar para fijar la visita de servicio técnico. Usted puede llamar a cualquier hora, de día o de noche, o fijar una visita técnica en Internet.

El Contrato maestro de protección es una compra sin riesgo. Si por algún motivo usted lo cancela durante el período de la garantía del producto, le proveeremos un reembolso total. O un reembolso proporcional en cualquier momento posterior a la expiración del período de la garantía. ¡Adquiera hoy su Contrato maestro de protección!

Se aplican algunas limitaciones y exclusiones. Para obtener precios e información adicional en EE.UU., llame al 1-800-827-6655.

***La cobertura en Canadá varía en algunos artículos. Para obtener los detalles completos, llame a Sears Canada al 1-800-361-6665.**

Servicio de instalación de Sears

Para la instalación profesional de Sears de aparatos electrodomésticos, abridores de puertas de garaje, calentadores de agua y otros artículos principales del hogar, en los EE.UU. o en Canadá llame al **1-800-4-MY-HOME®**.

GARANTÍA DE LOS ELECTRODOMÉSTICOS KENMORE ELITE®

GARANTÍA LIMITADA DE UN AÑO

Cuando este electrodoméstico haya sido instalado, operado y mantenido según las instrucciones provistas con el producto, si este electrodoméstico falla por defectos de material o de mano de obra dentro de un año a partir de la fecha de compra, llame al 1-800-4-MY-HOME® para gestionar la reparación libre de cargo.

GARANTÍA LIMITADA POR DOS AÑOS SOBRE EL CONTROL ELECTRÓNICO Y LA PLACA DE ALIMENTACIÓN DE ENERGÍA

Durante dos años a partir de la fecha de compra, siempre y cuando se instale la lavavajillas y se le dé un uso y mantenimiento de conformidad con todas las instrucciones provistas con el producto, Sears reemplazará cualquier pieza del módulo electrónico y de la placa de alimentación de energía si tuvieran defectos de materiales o de mano de obra. Después del primer año, el cliente asume la responsabilidad por cualquier costo de mano de obra relativa al reemplazo de estas refacciones.

GARANTÍA LIMITADA DE DOS AÑOS PARA EL SISTEMA DE LAVADO ULTRA WASH

Durante dos años a partir de la fecha de compra, siempre y cuando la lavavajillas haya sido instalada, operada y mantenida de conformidad con todas las instrucciones provistas con el producto, Sears reemplazará cualquier pieza del sistema de lavado Ultra Wash (motor, bomba, brazos rociadores, torre rociadora, empaquetaduras del motor y junta de la bomba) si falla debido a defectos de materiales o de mano de obra. Después del primer año, el cliente asume la responsabilidad por cualquier costo de mano de obra relativa al reemplazo de estas refacciones.

GARANTÍA LIMITADA DE CINCO AÑOS PARA LAS CANASTAS SUPERIOR E INFERIOR

Durante cinco años a partir de la fecha de compra, siempre y cuando se instale la lavavajillas y se le dé un uso y mantenimiento de conformidad con todas las instrucciones provistas con el producto, Sears reemplazará piezas de la canasta para platos superior o inferior, si la canasta se oxida debido a defectos de materiales o de mano de obra. Después del primer año, el cliente asume la responsabilidad por cualquier costo de mano de obra relativa al reemplazo de la canasta para platos.

GARANTÍA LIMITADA, DURANTE LA VIDA ÚTIL DE LA LAVAVAJILLAS, EN LOS MODELOS CON TINA DE ACERO INOXIDABLE KENMORE ELITE, CONTRA FUGAS EN LA TINA Y EL PANEL INTERIOR DE LA PUERTA

Durante la vida útil de la lavavajillas, de haber fugas en la tina de acero inoxidable o el panel interior de la puerta causadas por corrosión, Sears reemplazará gratuitamente la tina o el panel interior de la puerta.

Si este electrodoméstico es empleado para algún otro uso que no sea el doméstico familiar, esta garantía sólo tiene vigencia por 90 días a partir de la fecha de compra.

ESTA GARANTÍA CUBRE SOLAMENTE LOS DEFECTOS DE MATERIAL Y MANO DE OBRA. SEARS NO PAGARÁ POR LO SIGUIENTE:

1. Los artículos no reutilizables que pueden gastarse por el uso normal, incluyendo, pero sin limitación, filtros, correas, focos y bolsas.
2. Un técnico de servicio para enseñarle al usuario cómo instalar, operar o mantener el producto adecuadamente.

3. Un técnico de servicio para limpiar o mantener este producto.
4. Daños a este producto o fallas del mismo en caso de no ser instalado, operado o mantenido conforme a todas las instrucciones provistas con el producto.
5. Daños a este producto o fallas del mismo como resultado de accidente, abuso, uso indebido o un uso diferente de aquel para el cual fue creado.
6. Daños a este producto o fallas del mismo causados por el uso de detergentes, limpiadores, productos químicos o utensilios diferentes de los recomendados en todas las instrucciones provistas con el producto.
7. Daños a piezas o sistemas o fallas de los mismos como resultado de modificaciones no autorizadas que se hayan efectuado en este producto.

EXCLUSIÓN DE GARANTÍAS IMPLÍCITAS; LIMITACIÓN DE RECURSOS

El único y exclusivo recurso del cliente según los términos de esta garantía limitada será el de reparar el producto según se estipula en la presente. Las garantías implícitas, incluyendo las garantías de comerciabilidad o de capacidad para un propósito particular, serán limitadas a un año o al período más corto permitido por ley. Sears no se hará responsable por daños incidentales o consecuentes. Algunos estados y provincias no permiten la exclusión o limitación de daños incidentales o consecuentes, o limitaciones acerca de cuánto debe durar una garantía implícita de comerciabilidad o capacidad, de modo que las limitaciones o exclusiones arriba mencionadas pueden no aplicarse en su caso.

Esta garantía se aplica sólo mientras este electrodoméstico se usa en los Estados Unidos y Canadá.

Esta garantía le otorga derechos legales específicos, y es posible que usted tenga también otros derechos, los cuales varían de un estado a otro.

Sears, Roebuck and Co.
Dept. 817WA, Hoffman Estates, IL 60179
Sears Canada Inc.
Toronto, Ontario, Canada M5B 2B8

REGISTRO DEL PRODUCTO

Anote el número completo de modelo y serie así como la fecha de compra. Usted puede encontrar esta información en la etiqueta con el número de modelo y de serie ubicada en el producto.

Tenga esta información disponible para facilitarle la obtención de asistencia o servicio con prontitud siempre que llame a Sears con respecto a su electrodoméstico.

Número de modelo _____

Número de serie _____

Fecha de compra _____

Guarde estas instrucciones y su comprobante de compra para referencia futura.

SEGURIDAD DE LA LAVAVAJILLAS

Su seguridad y la seguridad de los demás es muy importante.

Hemos incluido muchos mensajes importantes de seguridad en este manual y en su electrodoméstico. Lea y obedezca siempre todos los mensajes de seguridad.



Este es el símbolo de advertencia de seguridad.

Este símbolo le llama la atención sobre peligros potenciales que pueden ocasionar la muerte o una lesión a usted y a los demás.

Todos los mensajes de seguridad irán a continuación del símbolo de advertencia de seguridad y de la palabra "PELIGRO" o "ADVERTENCIA". Estas palabras significan:

⚠ PELIGRO

Si no sigue las instrucciones de inmediato, usted puede morir o sufrir una lesión grave.

⚠ ADVERTENCIA

Si no sigue las instrucciones, usted puede morir o sufrir una lesión grave.

Todos los mensajes de seguridad le dirán el peligro potencial, le dirán cómo reducir las posibilidades de sufrir una lesión y lo que puede suceder si no se siguen las instrucciones.

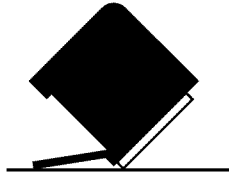
INSTRUCCIONES IMPORTANTES DE SEGURIDAD

ADVERTENCIA: Cuando use la lavavajillas siga precauciones básicas, incluyendo las siguientes:

- Lea todas las instrucciones antes de usar la lavavajillas.
- Use la lavavajillas únicamente para las funciones que fue diseñada.
- Use únicamente detergentes o agentes de enjuague recomendados para ser usados en las lavavajillas y manténgalos fuera del alcance de los niños.
- Al introducir los artículos para lavar:
 - 1) Coloque los artículos puntiagudos de manera que no dañen el sello de la puerta
 - 2) Introduzca los cuchillos filosos con los mangos hacia arriba para reducir el riesgo de cortaduras.
- No lave artículos de plástico que no lleven la indicación "lavables en la lavavajillas" u otra similar. Lea las recomendaciones del fabricante para los artículos de plástico que no lleven tal indicación.
- No toque el elemento de calefacción durante o inmediatamente después de usar la lavavajillas.
- No haga funcionar la lavavajillas a menos que todos los paneles estén colocados debidamente en su lugar.
- No juegue con los controles.
- No abuse, ni se siente ni se pare sobre la puerta, la tapa o sobre las canastas de la lavavajillas.
- Para reducir el riesgo de lesión, no permita que los niños jueguen dentro ni sobre la lavavajillas.
- Bajo ciertas condiciones, un sistema de agua caliente que no ha sido usado por dos semanas o más puede producir gas hidrógeno. **EL GAS HIDRÓGENO ES EXPLOSIVO.** Si el sistema de agua caliente no ha sido usado por ese período, abra todas las llaves de agua caliente y deje que corra el agua por varios minutos antes de usar la lavavajillas. Esto permitirá que los gases acumulados escapen. Debido a que el gas es inflamable, no fume ni encienda ninguna llama cerca de la llave durante este tiempo.
- Quite la puerta o la tapa del compartimiento de lavado cuando remueva o deje de usar para siempre una vieja lavavajillas.

GUARDE ESTAS INSTRUCCIONES

⚠️ ADVERTENCIA



Peligro de Vuelco

No use la lavavajillas antes de estar completamente instalada.

No se apoye en la puerta abierta.

No seguir estas instrucciones puede ocasionar heridas serias o cortaduras.

INSTRUCCIONES DE CONEXIÓN A TIERRA

■ **Para una lavavajillas con cable eléctrico y conexión a tierra:**

La lavavajillas debe estar conectada a tierra. En caso de funcionamiento defectuoso o avería, la conexión a tierra reduce el riesgo de choque eléctrico al establecer una ruta de menor resistencia para la corriente eléctrica. La lavavajillas viene equipada con un cable eléctrico que tiene un conductor para conexión a tierra y un enchufe con conexión a tierra. El enchufe debe ser conectado a un contacto apropiado que esté instalado y conectado a tierra de acuerdo con todos los códigos y ordenanzas locales.

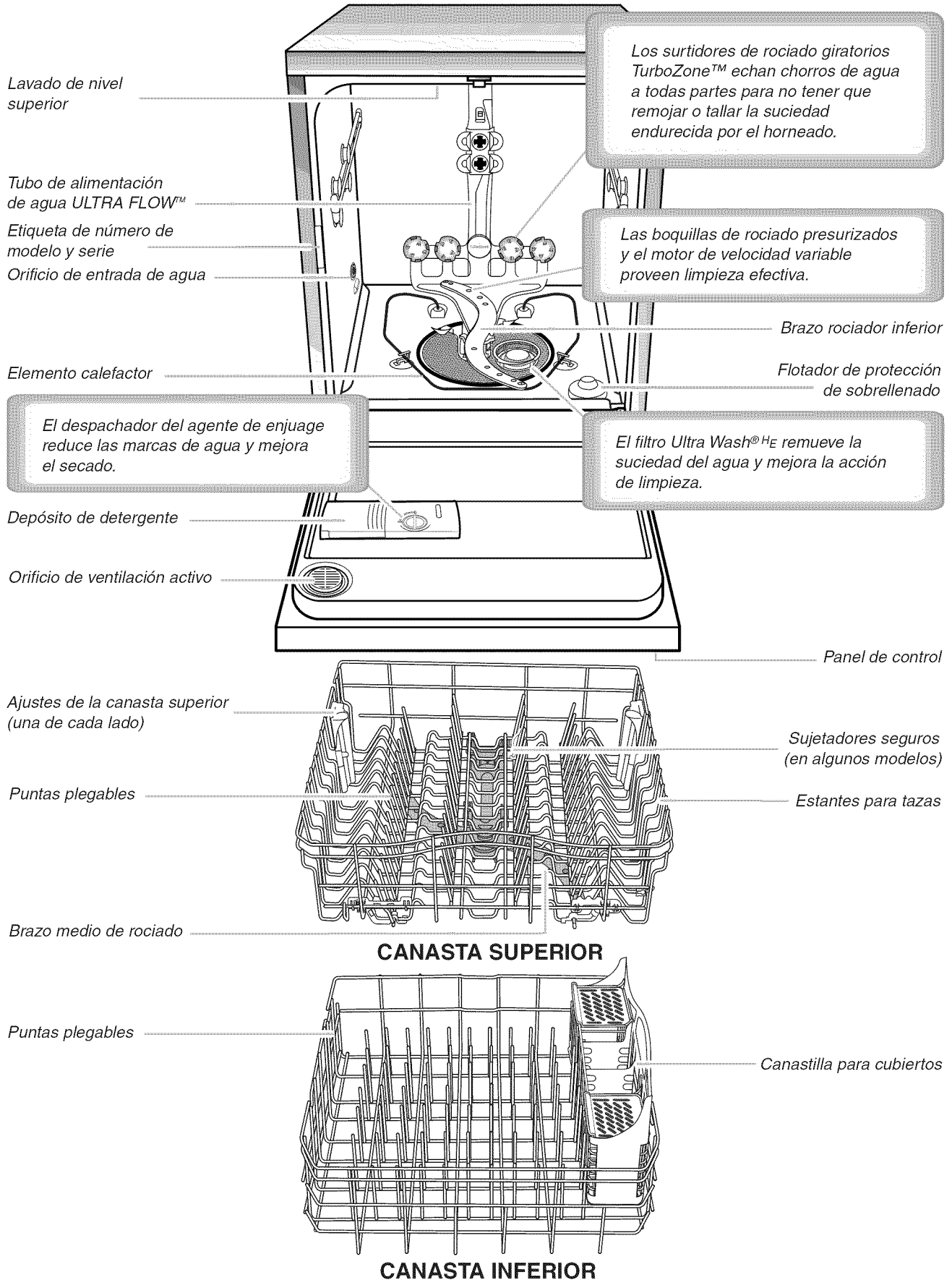
ADVERTENCIA: La conexión inadecuada del conductor de conexión a tierra puede resultar en riesgo de choque eléctrico. Pregunte a un electricista calificado o a un agente de servicio si no está seguro si la lavavajillas está adecuadamente conectada a tierra. No modifique el enchufe que viene con la lavavajillas. Si no cabe en el contacto, pida que un electricista calificado instale un contacto apropiado.

■ **Para lavavajillas con conexión permanente:**

La lavavajillas debe estar conectada a un sistema de alambrado eléctrico con conexión a tierra de metal o a un conductor de conexión a tierra y conectado a la terminal de conexión a tierra o conductor en la lavavajillas.

GUARDE ESTAS INSTRUCCIONES

PIEZAS Y CARACTERÍSTICAS



PUESTA EN MARCHA / REFERENCIA RÁPIDA

CYCLES



OPTIONS

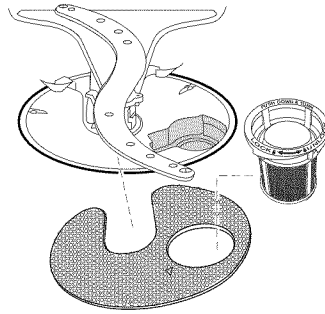


2 4 6



Los filtros desmontables ULTRA WASH^{HE} proporcionan un rendimiento óptimo.

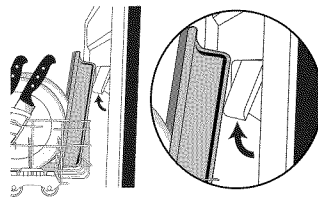
El sistema de tres filtros tiene un filtro grueso para mantener los artículos muy grandes y los objetos extraños fuera de la bomba, un filtro fino para evitar que la comida recircule entre su vajilla y un filtro micro para atrapar todas las partículas muy pequeñas de comida.



Vea "SISTEMA DE FILTRACIÓN ULTRA WASH^{HE}" para obtener información sobre cómo quitar y mantener los filtros.

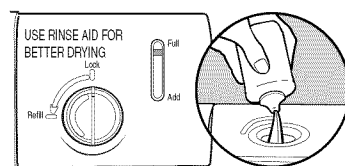
IMPORTANTE: No bloquee el depósito del detergente.

Los artículos altos pueden bloquear la puerta del depósito si se colocan en la canasta inferior. Los moldes para galletas y las tablas para cortar pueden bloquear fácilmente el depósito si se colocan en la parte izquierda de la lavavajillas. Si después de finalizado un ciclo, hay detergente dentro del depósito o en el fondo de la tina, el depósito quedó bloqueado.



Secado - el agente de enjuague es fundamental.

Debe usar un agente de enjuague para obtener un buen secado (se incluye una muestra). El agente de enjuague junto con la opción de Heated Dry (Secado con calor) le proporcionarán el mejor secado y evitarán que se forme humedad excesiva en el interior de la lavavajillas.



1 Hour Wash (Lavado en 1 hora) - Cuando necesita resultados rápidos.

Para ahorrar agua y energía, las lavavajillas de alto rendimiento usan una filtración avanzada que puede aumentar la duración de los ciclos (en algunos casos más de 2 horas). Cuando necesite resultados rápidos, el Lavado en 1 hora limpiará su vajilla usando un poco más de agua y energía. Para un mejor secado, seleccione la opción Heated Dry (Secado con calor), lo que agregará una media hora.



Ciclo SmartWash^{HE}

Durante el ciclo se usan sensores de suciedad ópticos en dos oportunidades para proporcionar un consumo óptimo de energía y agua en función del tamaño de la carga, la cantidad de suciedad y su resistencia. Los sensores también se calibran automáticamente durante la vida útil de su lavavajillas para mantener el rendimiento de limpieza en función de las características del agua.



Presione START/RESUME cada vez que agrega un artículo.

Para iniciar y reanudar un ciclo, presione START/RESUME (Inicio/Reanudar) y cierre la puerta en menos de 3 segundos. Si no se cierra la puerta en menos de 3 segundos, el botón LED de inicio destellará y el ciclo no comenzará.



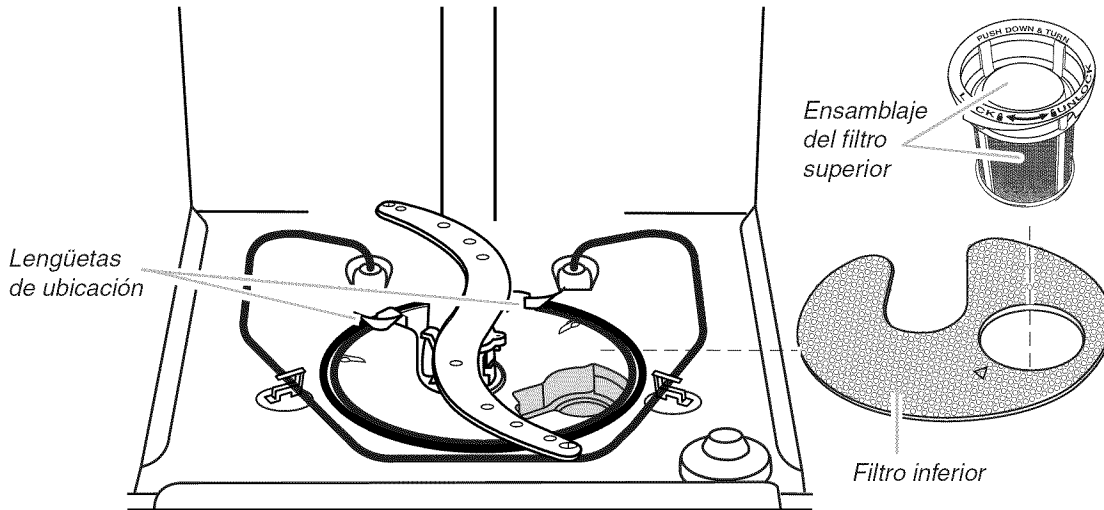
IMPORTANTE: Si alguien abre la puerta (como puede ser para agregar un plato, aún durante la opción de Delay Hours - Horas de retraso), deberá presionarse el botón de START/RESUME (Inicio/Reanudar) cada vez y cerrar la puerta en menos de 3 segundos para reanudar el ciclo.

SISTEMA DE FILTRACIÓN ULTRA WASH® HE

Su lavavajillas cuenta con la última tecnología en filtración para lavavajillas. El sistema de filtración triple minimiza los sonidos y optimiza el consumo de agua y energía mientras proporciona una limpieza superior. Durante la vida útil de su lavavajillas, el filtro necesitará mantenimiento para conservar el rendimiento óptimo de limpieza.

El sistema de tres filtros consiste de 2 piezas, un ensamblaje de filtro superior y un filtro inferior.

- El ensamblaje de filtro superior mantiene los artículos muy grandes y los objetos extraños, junto con las partículas muy pequeñas de comida, fuera de la bomba.
- El filtro inferior evita que la comida recircule sobre la vajilla.



Es posible que sea necesario limpiar los filtros cuando:

- Haya objetos visibles o suciedad en el ensamblaje del filtro superior.
- Baje la calidad del rendimiento de limpieza (es decir, que los platos sigan sucios).
- Los platos se sienten arenosos al tacto.

Es muy fácil quitar y mantener los filtros. La tabla siguiente muestra la frecuencia recomendada de limpieza.

Intervalos recomendados para la limpieza del filtro.

Cantidad de cargas por semana	Si lava antes de cargar	Si raspa la comida y enjuaga antes de cargar	Si solamente raspa la comida antes de cargar*	Si no raspa la comida ni enjuaga antes de cargar
1-3	Una vez por año	Una vez por año	Dos veces por año	Cada dos meses
4-7	Una vez por año	Una vez por año	Dos veces por año	Un vez por mes
8-12	Una vez por año	Dos veces por año	Cada tres meses	Cada dos semanas
13-14	Una vez por año	Dos veces por año	Cada tres meses	Una vez por semana

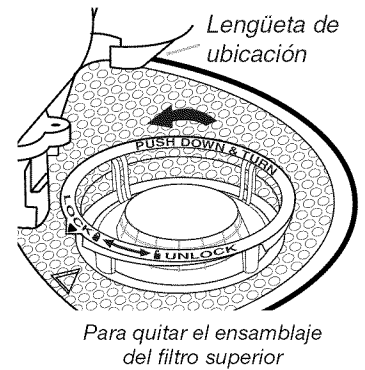
*Recomendación del fabricante: Esta práctica eliminará el agua y la energía que usted usa para preparar la vajilla. También le permitirá ahorrar tiempo y esfuerzo.

Agua muy dura

Si tiene agua dura (más de 15 granos), limpie el filtro al menos una vez por mes. La acumulación de restos blancos en su lavavajillas indica que el agua es dura. Puede traer sus muestras de agua a Sears para verificar el nivel de dureza. Vea la sección "Solución de problemas" para consultar los consejos para quitar las manchas.

Instrucciones para quitar los filtros

1. Gire el ensamblaje del filtro superior $\frac{1}{4}$ de vuelta hacia la izquierda, levante y sáquelo.
2. Agarre el filtro inferior en la abertura circular, levante levemente y jale hacia adelante para quitarlo.
3. Limpie los filtros como se muestra en la siguiente página.

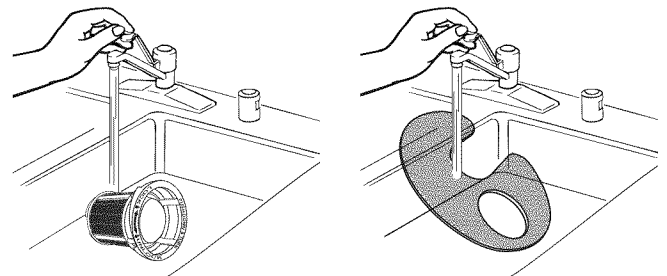


Instrucciones de limpieza

IMPORTANTE:

No use un cepillo de alambre, estropajo, etc. ya que pueden dañar los filtros.

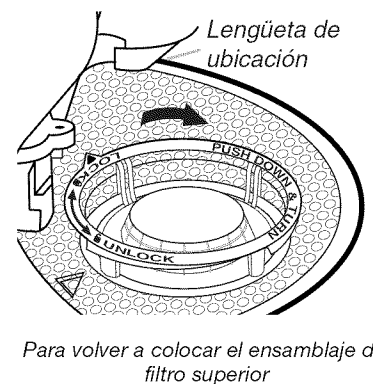
Enjuague el filtro debajo del agua corriente hasta haber quitado la mayor parte de la suciedad. En caso de suciedad difícil de sacar o de depósitos de calcio a causa del agua dura, es posible que deba usar un cepillo suave.



Instrucciones para reinstalar los filtros

1. Fijándose en las ilustraciones anteriores, coloque el filtro inferior debajo de las lengüetas de ubicación en el fondo de la lavavajillas para que la abertura redonda para el ensamblaje del filtro superior esté alineada con la abertura redonda en el fondo de la tina.
2. Inserte el ensamblaje del filtro superior en la abertura circular en el filtro inferior.
3. Rote lentamente el filtro hacia la derecha hasta que caiga en su lugar. Continúe rotando hasta que el filtro quede trabado en su lugar. Si el filtro no encaja completamente (sigue girando libremente), continúe girando el filtro hacia la derecha hasta que caiga y quede trabado en su lugar.

NOTA: No es necesario que la flecha del ensamblaje del filtro superior esté alineada con la flecha en el filtro inferior siempre y cuando el filtro quede trabado.



IMPORTANTE:

Para evitar dañar la lavavajillas, no la ponga en marcha sin que los filtros ULTRA WASH^{®HE} estén adecuadamente instalados. Asegúrese de que el filtro inferior esté seguro en su lugar y que el ensamblaje del filtro superior esté trabado en su lugar. Si el ensamblaje del filtro superior gira libremente, no está trabado en su lugar.

CONSEJOS PARA LA EFICIENCIA DE LA LAVAVAJILLAS

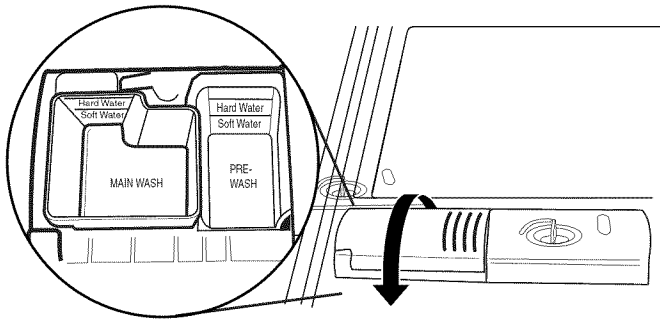
El agua caliente disuelve y activa el detergente para lavavajillas. El agua caliente también disuelve la grasa que se encuentra en los platos y ayuda a secar los vasos sin manchas. Para obtener los mejores resultados, el agua debe estar a 120°F (49°C) cuando entra en la lavavajillas. Si la temperatura del agua está muy baja, los platos podrían quedar menos limpios.

Consejos de eficiencia adicionales

- Para ahorrar agua, energía y tiempo, solamente raspe la comida de los platos. No enjuague los platos antes de ponerlos en la lavavajillas.
- Use una función de retraso para poner la lavavajillas en funcionamiento durante las horas de menos consumo de energía. Las empresas proveedoras de servicios públicos locales recomiendan que se evite un alto consumo de energía en determinadas horas del día.
- Durante el verano, ponga su lavavajillas en funcionamiento en la noche. Esto reduce la acumulación de calor durante el día en la cocina.
- Use un agente de enjuague para mejorar el secado.

DETERGENTE Y AGENTE DE ENJUAGUE

Detegente



IMPORTANTE:

Use únicamente detergentes para lavavajillas automáticas. El detergente para lavar los platos a mano producirá espuma en exceso y ésta se desbordará fuera de la lavavajillas.

Cantidad recomendada de detergente

Agregue la cantidad recomendada de detergente en cada taza, como se muestra, y cierre la tapa del detergente.

Polvos y geles

Dureza del agua	Nivel de suciedad	Taza para el prelavado	Taza para el lavado principal
Suave (0-4 granos por galón de EE.UU.)	Ligero	Ninguna	½
	Normal	Ninguna	½
	Intenso	Llena	½
Media (5-9 granos por galón de EE.UU.)	Ligero	Ninguna	½
	Normal	½	½
	Intenso	Llena*	Llena*
Dura (10-14 granos por galón de EE.UU.)	Ligero	½	Llena*
	Normal	Llena*	Llena*
	Intenso	Llena*	Llena*

*La taza llena para el prelavado contiene 7 ctas (35 mL) y la taza llena para el lavado principal contiene 9 ctas (45 mL).

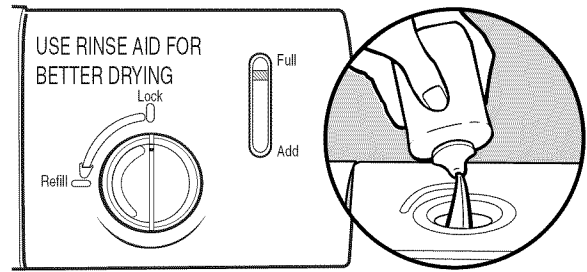
Detergentes previamente medidos

Varios detergentes vienen ahora en formatos previamente medidos (paquetes con gel, tabletas o paquetes con polvo). Estos formatos son apropiados para todos los niveles de dureza y suciedad. Coloque siempre los detergentes previamente medidos en la taza principal y cierre la tapa.

IMPORTANTE:

Los residuos minerales del agua extremadamente dura (15 granos por galón de EE.UU. o más) pueden causar daños en su lavavajillas y hacer difícil que se obtengan buenos resultados. Se recomienda usar un ablandador de agua para evitar daños y obtener buenos resultados. Puede llevar muestras de agua a Sears para verificar el nivel de dureza.

Agente de enjuague



IMPORTANTE:

Su lavavajillas está diseñada para usar un agente de enjuague líquido. El uso de agentes de enjuague mejora mucho el secado, al permitir que el agua se escurra de la vajilla después del último enjuague. También evita que el agua forme gotitas que al secar quedan como manchas o rayas.

Llenado del depósito

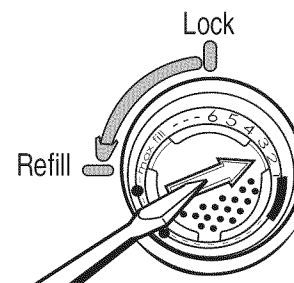
El depósito tiene capacidad para 5 onzas (150 mL) de agente de enjuague. En condiciones usuales, esta cantidad durará de uno a tres meses.

1. Gire la perilla hacia la posición de REFILL (Volver a llenar) y retírela.
2. Vierta el agente de enjuague en la abertura hasta que el indicador esté en FULL (Lleno). No sobrellene.
3. Limpie todo el agente de enjuague derramado. El agente de enjuague que se derrama puede crear espuma en exceso.
4. Vuelva a colocar la perilla y gírela hacia la posición de LOCK (Bloqueo).

NOTA: El indicador mostrará el nivel de llenado correcto cuando se abra completamente la puerta.

Selección de nivel del agente de enjuague

El depósito del agente de enjuague es regulable. Para casi todos los tipos de agua, la selección de fábrica de 2 dará buenos resultados. Si usted tiene agua dura y nota que se acumula calcio en la vajilla, tal vez desee probar con un ajuste más alto.



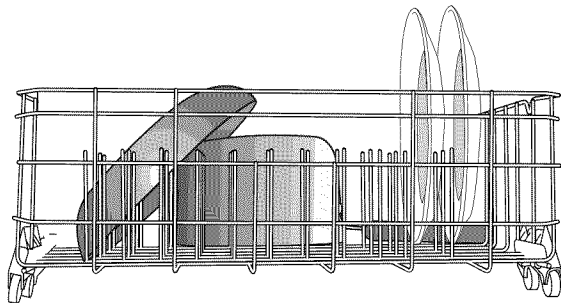
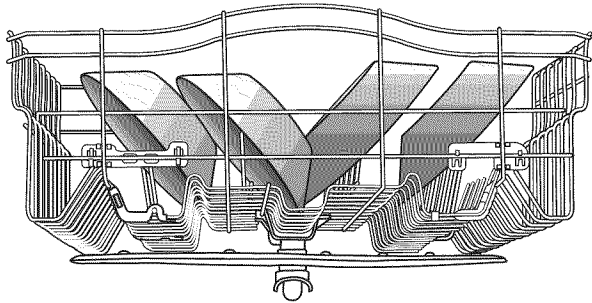
Para regular la selección

1. Gire la perilla hacia la posición de REFILL (Volver a llenar) y retírela.
2. Gire la flecha que se encuentra dentro del depósito hacia el ajuste deseado.
3. Vuelva a colocar la perilla y gírela hacia la posición de LOCK (Bloqueo).

CÓMO CARGAR

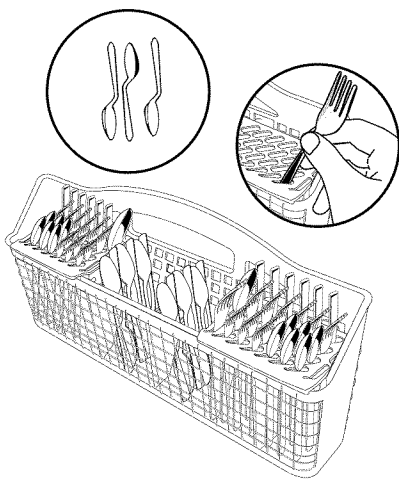
Cómo cargar para el mejor funcionamiento

1. Coloque en ángulo las superficies más sucias de la vajilla hacia abajo y deje espacio para que el agua fluya hacia arriba, a través de cada canasta y entre la vajilla.

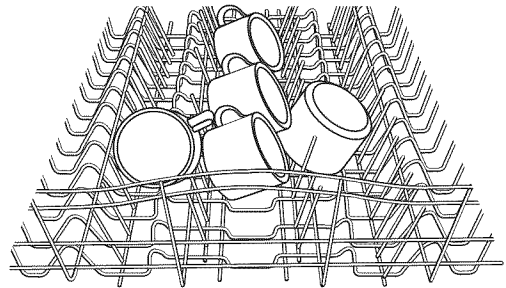


Al separar la vajilla, se permite el flujo de agua.

2. Para una mejor limpieza de los cubiertos, use las ranuras que están en las cubiertas, de modo que los artículos se mantengan separados.

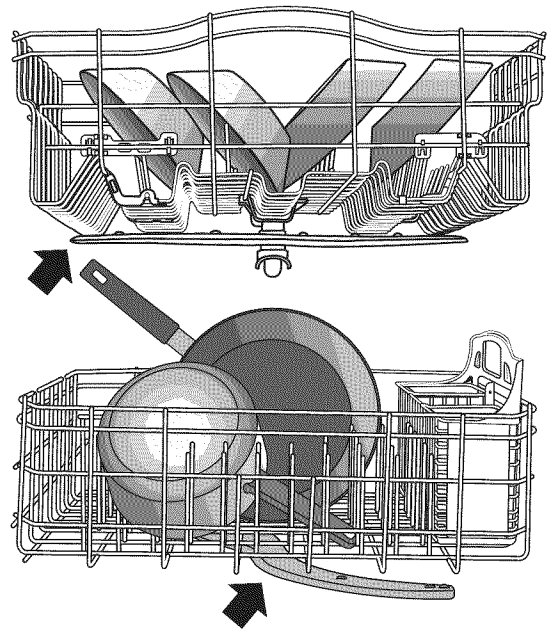


3. Coloque en ángulo las superficies cóncavas, tales como la base de las tazas de café, para permitir que el agua se drene y así lograr un funcionamiento mejorado del secado.



Artículos con las superficies en ángulo

4. Antes de cada ciclo, verifique que todos los brazos rociadores giren libremente.



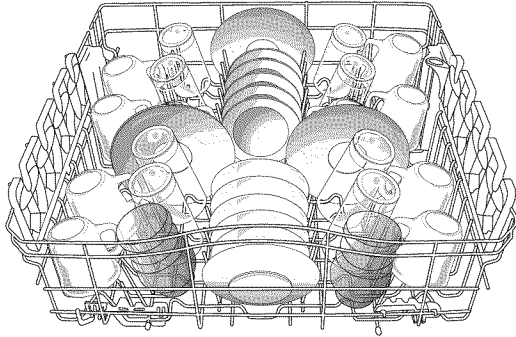
Los brazos rociadores giran libremente.

Cómo cargar la canasta superior

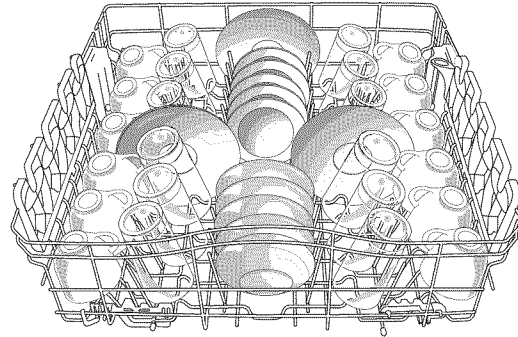
Recomendaciones para cargar

Coloque las tazas y vasos en las hileras entre las puntas. Si los coloca sobre las puntas pueden romperse o terminar con manchas de agua. Para evitar que se dañen sus artículos delicados, asegúrese de que la porcelana, cristalería y otros objetos similares no se toquen durante el funcionamiento de la lavavajillas.

Coloque los objetos livianos y de plástico aptos para lavavajillas sólo en la canasta superior.



Carga para 10 puestos

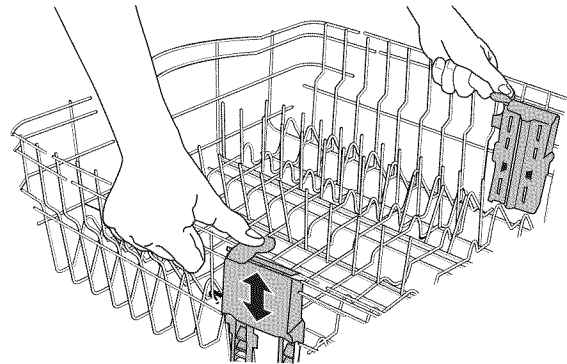


Carga para 12 puestos

Canasta de lujo ajustable en 2 posiciones

Usted puede subir o bajar la canasta superior para acomodar artículos más altos tanto en la canasta superior como en la inferior. Los ajustes se encuentran a cada lado de la canasta superior. Levante la canasta superior para acomodar artículos de hasta 9" (22 cm) en la canasta superior y hasta de 13" (33 cm) en la canasta inferior; o baje la canasta superior para acomodar artículos de hasta 11" (28 cm) de altura en ambas canastas.

1. Para levantar, levante la canasta hasta que ambos lados estén a la misma altura y trábela.
2. Para bajar, presione ambas lengüetas en el ajuste de la canasta, como se muestra, y bájela.



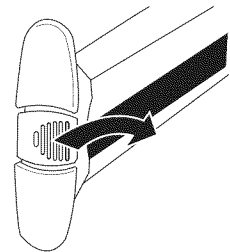
Canasta superior removible

La canasta superior removible le permite lavar objetos más grandes tales como ollas grandes, bandejas para hornear y moldes para galletas en la canasta inferior.

IMPORTANTE: Quite los platos antes de quitar la canasta de la lavavajillas.

Para sacar la canasta superior

1. Jale la canasta un poco hacia adelante para tener acceso a los sujetadores.
2. Mientras presiona las aristas hacia adentro, presione el sujetador hacia atrás hasta que se desprenda el lado de afuera. Deslice el sujetador hacia adentro del borde del riel para sacarlo.
3. Luego de quitar ambos sujetadores, jale la canasta hacia afuera.



Para volver a colocar la canasta superior

1. Coloque las ruedillas que están a cada lado de la canasta dentro de los rieles de la misma y empújela hacia atrás.
2. Alinee el lado abierto del sujetador con el borde interior del riel de la canasta.
3. Presione las aristas y deslice el sujetador hacia el borde de afuera de la canasta hasta que encaje en su lugar.
4. Repita el procedimiento en el otro lado.
5. Jale la canasta hacia afuera completamente para asegurarse de que los sujetadores estén bien encajados.

Cómo cargar la canasta inferior

Recomendaciones para cargar

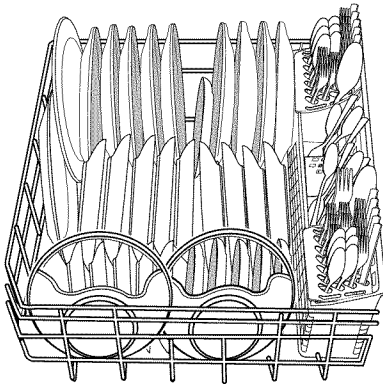
La canasta inferior es más apropiada para platos, ollas, cacerolas y utensilios. (Vea los siguientes modelos recomendados de carga.) Coloque los artículos pequeños en la canasta inferior únicamente si están seguros en su lugar.

Coloque los platos, tazones de sopa, etc. entre las puntas.

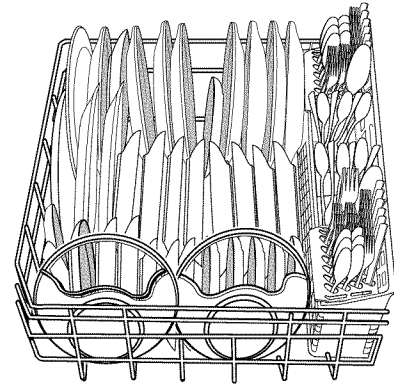
Coloque los tazones firmemente entre las hileras de puntas. Asegúrese de que hay suficiente espacio entre los platos para que el rociador pueda alcanzar todas las superficies.

Cargue los artículos con suciedad profunda mirando hacia el rociador.

NOTA: Asegúrese de que el depósito de detergente no esté bloqueado por artículos altos, tales como charolas para galletas y tablas para cortar colocadas en el lado izquierdo del frente de la canasta. Vea la sección “Puesta en marcha/Referencia rápida”.



Carga de 10 puestos

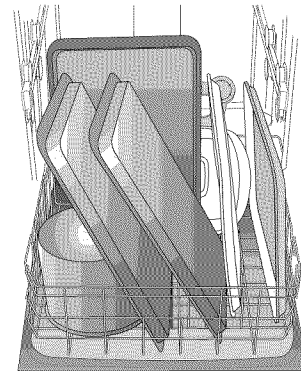
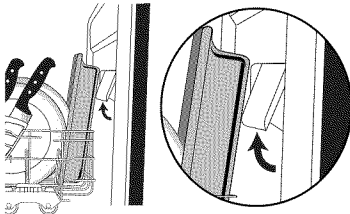


Carga de 12 puestos

Cómo cargar los artículos altos

Usted puede lavar artículos más grandes, tales como ollas, asadores y charolas para galletas en la canasta inferior, sacando la canasta superior. Vea “Cómo cargar la canasta superior”.

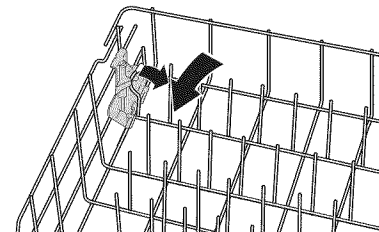
IMPORTANTE: No obstruya el depósito de detergente.



Puntas plegables

Usted puede plegar una hilera de puntas en la parte posterior de la canasta inferior.

1. Sujete el cabo superior de la punta que está en el recipiente de puntas.
2. Jale con cuidado la punta hacia afuera del recipiente.
3. Doble la hilera de puntas de la canasta hacia abajo para acomodar platos más grandes, tazones, ollas, cacerolas o fuentes para hornear.

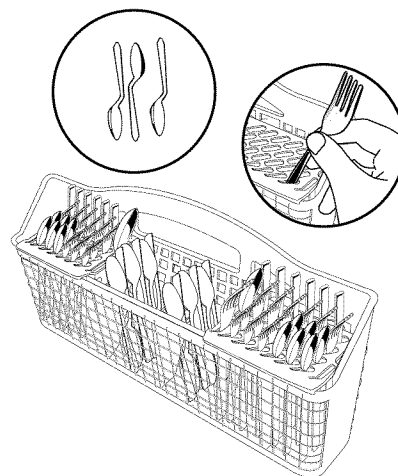


Carga de cubiertos

Siga los modelos de carga sugeridos, según se muestra, para limpiar mejor los cubiertos.

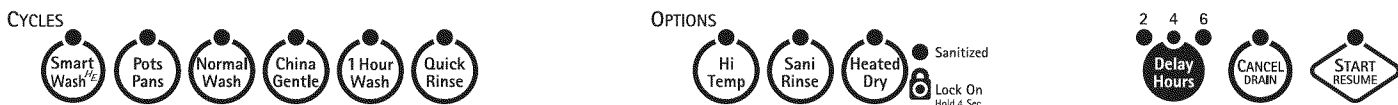
Para un óptimo lavado, use las ranuras que están en las tapas para mantener los cubiertos separados. (Vea la ilustración a la derecha.)

NOTA: Si los cubiertos no caben en las ranuras designadas, dé vuelta a las tapas y mezcle los tipos de cubiertos, para mantenerlos separados. Coloque los cuchillos hacia abajo, los tenedores hacia arriba y alterne las cucharas, como se ilustra, para obtener mejores resultados en la limpieza.



USO DE LA LAVAVAJILLAS

Información sobre los ciclos y opciones



Ciclos	Nivel de suciedad	Tiempo* (min.) sin opciones		Uso del agua en galones (litros)
		Típico**	Máx.	
SmartWash^{HE} (Lavado inteligente) El ciclo más avanzado y versátil. Este ciclo detecta el tamaño de la carga, la cantidad de suciedad y su resistencia. Este ciclo es óptimo para alcanzar un lavado excepcional con mínima cantidad de agua y consumo de energía.	Ligera a mediana	110	163	4,2 (15,9)
	Rebelde/ Endurecida a causa del horneado	135	194	4,8 (18,2)
	Profunda	135	194	6,9 (26,1)
Pots Pans (Ollas, cacerolas) Funciona mejor con los artículos más difíciles como cacerolas con restos de alimentos endurecidos a causa del horneado.	Ligera a mediana	140	202	4,8 (18,2)
	Rebelde/ Endurecida a causa del horneado	150	203	6,9 (26,1)
Normal Wash (Lavado normal) Detecta el nivel de suciedad y hace ajustes en el agua y energía utilizadas. La información de Energy Guide (Guía de energía) está basada en este ciclo.	Ligera a mediana	110	161	4,2 (15,2)
	Profunda	130	193	6,9 (26,1)

China Gentle (Porcelana, artículos delicados) Proporciona un lavado ligero y un secado suave para los artículos delicados como pueden ser porcelana y cristal.	Ligera a mediana	105	161	4,2 (15,2)
	Profunda	125	194	6,9 (26,1)

1 Hour Wash (Lavado de 1 hora) Para ahorrar agua y energía, las lavavajillas de alto rendimiento usan una filtración avanzada que puede aumentar la duración de los ciclos (en algunos casos más de 2 horas). Cuando necesite resultados rápidos, el Lavado de 1 hora limpiará su vajilla usando un poco más de agua y energía. Para un mejor secado, seleccione la opción Heated Dry (Secado con calor), lo que agregará una media hora.	Todos los niveles de suciedad	58	58	8,0 (30,3)
---	-------------------------------	----	----	---------------

Quick Rinse (Enjuague rápido) Un enjuague de 15 minutos para reducir el olor proveniente de la comida y prevenir que los restos de comida se sequen. No use detergente.	Todos los niveles de suciedad	15	16	2,1 (7,9)
---	-------------------------------	----	----	--------------

*Al agregar opciones aumentará el tiempo del ciclo. Vea la sección de información de opciones.

**Este es el tiempo aproximado del ciclo que se obtiene con agua caliente a 120°F (49°C) en la lavavajillas. La baja temperatura del agua entrante genera un aumento del tiempo.

Opciones	Puede seleccionarse con	Lo que hace	Tiempo adicional del ciclo		Agua adicional [†] en galones (litros)
			Típico	Máx.	
Hi Temp (Temperatura alta) Aumenta la temperatura del lavado principal para mejorar la limpieza. Cuando se usa con el ciclo Normal Wash, la capacidad de limpieza será un poco más potente pero no tanto como en el ciclo de Pots Pans.	SmartWash® Pots Pans Normal Wash	Aumenta la temperatura del lavado principal de 105°F (41°C) a 120°F (49°C).	22	37	0 - 2,1 (0 - 7,9)

Sani Rinse (Enjuague sanitario) Esta opción a alta temperatura higieniza sus platos y su cristalería según el Estándar 184 de la Fundación Nacional de la Salubridad de Estados Unidos (NSF)/ANSI para lavavajillas domésticas. Las lavavajillas domésticas certificadas no han sido diseñadas para los establecimientos con licencia para alimentos. La luz verde de higienizado indica que la opción Sani Rinse ha finalizado con éxito.	SmartWash® Pots Pans Normal Wash	Aumenta la temperatura del lavado principal de 105°F (41°C) a 120°F (49°C) y el enjuague final de 140°F (60°C) a 155°F (68°C).	37	57	0 - 2,1 (0 - 7,9)
--	---	--	----	----	----------------------

Heated Dry (Secado con calor) Enciende el elemento calefactor después que se termina el ciclo de lavado. Use un agente de enjuague con o sin la opción Heated Dry para obtener los mejores resultados de secado. Es menos probable que los artículos de plástico se deformen cuando se colocan en la canasta de platos superior.	Disponible con cualquier ciclo excepto Quick Rinse (Enjuague rápido)	Enciende el elemento calefactor al final del ciclo de lavado.	26	32	0
--	---	---	----	----	---

[†]La cantidad máxima de agua adicional que se utiliza para cualquier combinación de opciones es 2,1 gal. (7,9 L).

Delay Hours (Horas de retraso)

Use esta opción para poner la lavavajillas en funcionamiento durante las horas de menos consumo de energía. Las empresas proveedoras de servicios públicos locales recomiendan consumir energía durante las horas de menos consumo de energía siempre que sea posible.

Para retrasar el inicio

1. Seleccione un ciclo y opciones de lavado.
2. Presione el botón de retraso para elegir el número de horas de retraso.
3. Presione START/RESUME (Inicio/Reanudar) y cierre firmemente la puerta dentro de 3 segundos. La lavavajillas se pone en marcha dentro del número seleccionado de horas.

NOTA: Cada vez que se abra la puerta (por ejemplo, para agregar un plato), el botón START/RESUME (Inicio/Reanudar) debe ser presionado dentro de 3 segundos después de haber cerrado la puerta para reanudar la cuenta regresiva de retraso.

Opción Control Lock (Bloqueo de control)

Use la opción de Control Lock para evitar el uso no intencional de la lavavajillas entre un ciclo y otro. Cuando la luz de LOCK ON (Bloqueo) está encendida, todos los botones están desactivados. La puerta de la lavavajillas puede abrirse y cerrarse mientras los controles están bloqueados.

Para activar el bloqueo

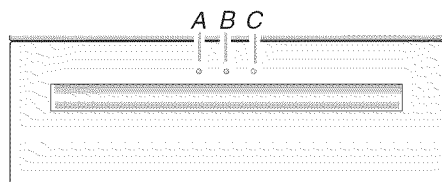
Oprima y sostenga HEATED DRY (Secado con calor) durante 3 segundos. Se encenderá LOCK ON. Si usted oprime cualquier botón mientras su lavavajillas está con bloqueo, la luz se enciende y apaga 3 veces.

NOTA: La lavavajillas no puede funcionar si el control está bloqueado.

Para desactivar el bloqueo

Oprima y sostenga HEATED DRY (Secado con calor) durante 3 segundos. La luz se apaga.

Luces indicadoras de estado



- A. Luz del ciclo de lavado
- B. Luz del ciclo de secado
- C. Luz de limpieza

Luces del panel frontal - La luz izquierda indica que la lavavajillas está en el ciclo de lavado. La luz del medio indica que la lavavajillas está en el ciclo de secado. La luz Clean (Limpio) de color verde y ubicada en el lado derecho indica que el ciclo terminó y que la lavavajillas está lista para descargar. Si la luz Clean está destellando, vea "Solución de problemas".

Cómo cancelar un ciclo

1. Abra la puerta ligeramente para detener el ciclo. Espere a que la acción de rociado se detenga antes de abrir la puerta por completo.
2. Presione una vez el botón CANCEL/DRAIN (Cancelar/Desaguar). La luz Cancel/Drain se encenderá.
3. Cierre la puerta dentro de los 3 segundos. La lavavajillas comienza un ciclo de desagüe (si ha quedado agua en el fondo de la lavavajillas). Deje que la lavavajillas complete el desagüe. La luz Cancel/Drain se apaga al cabo de los 2 minutos.

Cómo cambiar un ciclo después de iniciar la lavavajillas

Puede interrumpir un ciclo y volver a iniciar la lavavajillas desde el comienzo usando el siguiente procedimiento.

1. Abra la puerta ligeramente para detener el ciclo. Espere a que la acción de rociado se detenga, luego abra la puerta por completo.
2. Verifique que la tapa del depósito de detergente permanezca cerrada. Si la tapa está abierta, necesitará volver a llenar el depósito de detergente antes de volver a iniciar el nuevo ciclo.
3. Presione CANCEL/DRAIN dos veces para volver a fijar el control.
4. Seleccione los nuevos ciclos y opciones.
5. Presione START/RESUME (Inicio/Reanudar) y cierre firmemente la puerta en menos de 3 segundos.

NOTA: Si no se cierra la puerta en menos de 3 segundos de haber presionado Start/Resume, presione START/RESUME nuevamente.

Cómo agregar un artículo después de iniciar la lavavajillas

1. Abra la puerta ligeramente para detener el ciclo. Espere a que la acción de rociado se detenga, luego abra la puerta por completo.
2. Verifique si la tapa del depósito de detergente está aún cerrada. Si está abierta, el ciclo de lavado ya comenzó y no se recomienda agregar ningún plato.
3. Si el detergente todavía no se usó (la tapa del depósito del detergente está cerrada), puede agregar un plato.
4. Presione START/RESUME (Inicio/Reanudar) y cierre firmemente la puerta en menos de 3 segundos.

CÓMO LAVAR ARTÍCULOS ESPECIALES

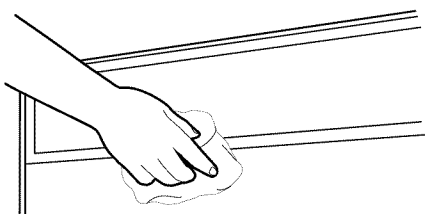
Si tiene dudas acerca del lavado de un artículo determinado, consulte con el fabricante para ver si se trata de un artículo lavable en la lavavajillas.

Material	¿Lavable en la lavavajillas?	Comentarios
Aluminio	Sí	La temperatura alta del agua y los detergentes pueden afectar el acabado del aluminio anodizado.
Aluminio desechable	No	No lave bandejas de aluminio desechables en la lavavajillas. Éstas podrían moverse durante el lavado y dejar unas marcas negras en los platos y otros objetos.
Botellas y latas	No	Lave las botellas y latas a mano. Las etiquetas engomadas pueden soltarse y obstruir los brazos rociadores o la bomba y reducir el rendimiento de lavado.
Hierro fundido	No	Se perderá el curado y el hierro se oxidará.
Porcelana/Cerámica de gres	Sí	Consulte siempre las recomendaciones del fabricante antes de lavar. Los diseños antiguos, pintados a mano o sobre glaseado se desteñirán. Los acabados dorados pueden perder su color o intensidad.
Cristal	Sí	Consulte siempre las recomendaciones del fabricante antes de lavar. Algunos tipos de cristal de sosa pueden corroerse después de varias lavadas.
Oro	No	Los cubiertos dorados perderán su color.
Vidrio	Sí	El material de los vasos de leche se pondrá amarillento luego de varias lavadas en la lavavajillas.
Cuchillos con mango hueco	No	Los mangos de algunos cuchillos están fijados a la hoja con adhesivos que pueden aflojarse al ser lavados en la lavavajillas.
Peltre, latón, bronce y cobre	No	Las temperaturas altas del agua y el detergente pueden decolorar o picar el acabado.
Plásticos desechables	No	No pueden resistir las temperaturas altas del agua y los detergentes.
Plásticos	Sí	Consulte siempre las recomendaciones del fabricante antes de lavar. La capacidad de los objetos de plástico para resistir las temperaturas altas y los detergentes varía. Es recomendable colocar los objetos livianos, tales como tapas y mantequeras, sólo en la canasta superior. Objetos duros tales como refrigerantes y bandejas de sillas para bebés pueden colocarse en la canasta inferior. Cuando lave objetos de plástico en la canasta inferior, no es recomendable usar la opción de Heated Dry (Secado con calor).
Acero inoxidable	Sí	Haga correr un ciclo de enjuague si no va a lavar de inmediato. El contacto prolongado con los alimentos que contienen sal, vinagre, productos lácteos o jugos de fruta puede dañar el acabado.
Plata Sterling o con baño de plata	Sí	Haga correr un ciclo de enjuague si no va a lavar de inmediato. El contacto prolongado con los alimentos que contienen sal, ácido o sulfuro (huevos, mayonesa y mariscos) puede dañar el acabado.
Hojalata	No	No se recomienda.
Artículos de madera	No	Lávalos a mano. Consulte siempre las recomendaciones del fabricante antes de lavar. La madera no tratada puede deformarse, agrietarse o perder el acabado.

CUIDADO DE LA LAVAVAJILLAS

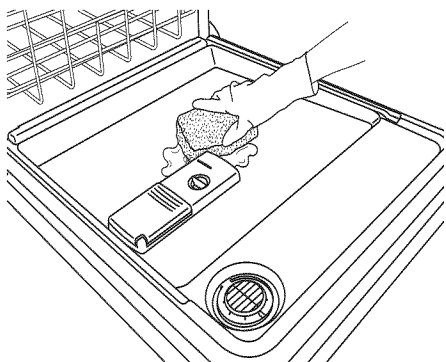
Limpieza

Limpieza externa



En la mayoría de los casos, todo lo que se debe hacer es usar periódicamente un paño suave y húmedo o una esponja con un detergente suave para que el exterior de su lavavajillas se vea limpio y reluciente. Si el exterior de la lavavajillas es de acero inoxidable, se recomienda un limpiador de acero inoxidable.

Limpieza del interior



Los residuos minerales del agua dura pueden causar la acumulación de una película blanca en las superficies interiores, sobre todo inmediatamente debajo del área de la puerta.

No limpie el interior de la lavavajillas hasta que se haya enfriado. Quizás sea necesario usar guantes de hule. No utilice ningún tipo de limpiador que no sea el detergente recomendado para lavavajillas, debido a que puede producir espuma en exceso.

Para limpiar el interior

Haga una pasta con el detergente en polvo de lavavajillas sobre una esponja húmeda y limpie.

O BIEN

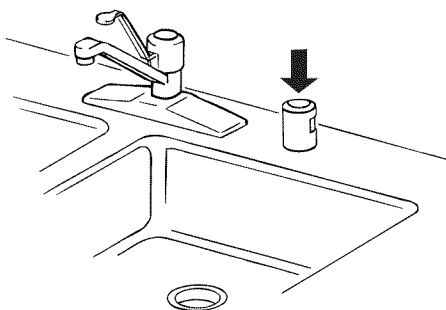
Use detergente líquido de lavavajillas y limpie con una esponja húmeda.

O BIEN

Consulte el procedimiento de enjuague con vinagre en la sección “Solución de problemas” bajo “Manchas o formación de películas en las platos”.

NOTA: Ponga a funcionar un ciclo normal con detergente para lavavajillas después de la limpieza interna.

Purga de aire del desagüe



Algunas normas de plomería locales o estatales exigen que se instale una purga de aire del desagüe entre una lavavajillas empotrada y el sistema de desagüe de la casa. Revise la purga de aire del desagüe cuando su lavavajillas no esté desaguando bien.

La purga de aire del desagüe está por lo general ubicada encima del fregadero o en la cubierta cerca de la lavavajillas. Para pedir una purga de aire del desagüe, llame al **1-800-4-MY-HOME®**. Pida la pieza número 300096.

NOTA: La purga de aire del desagüe es un dispositivo de plomería externo que no forma parte de su lavavajillas. La garantía proporcionada para su lavavajillas no cubre los costos de servicio técnico directamente asociados con la limpieza o reparación de una purga de aire del desagüe externa.

Para limpiar la purga de aire del desagüe

Limpie la purga de aire del desagüe periódicamente para asegurar un desagüe apropiado de su lavavajillas. Para la mayoría de tipos de purgas, usted tiene que levantar la tapa de cromo. Destornille la tapa de plástico. Luego revise si hay alguna acumulación de suciedad. Limpie si es necesario.

Cómo guardar

Cómo guardar para el verano

Si no se usa la lavavajillas durante los meses de verano, cierre el suministro de agua y de energía a la lavavajillas.

Cómo guardar para el invierno

Evite posibles daños de agua en su casa y en la lavavajillas debido al congelamiento de las líneas de agua. Si deja su lavavajillas en una vivienda de temporada o si pudiera estar expuesta a temperaturas casi congelantes, haga acondicionar su lavavajillas para el invierno por un personal de servicio autorizado.

SOLUCIÓN DE PROBLEMAS

En primer lugar, pruebe las soluciones sugeridas aquí y posiblemente se evite el gasto de una visita de servicio técnico...

La lavavajillas no está funcionando correctamente

■ La lavavajillas no funciona o se detiene durante un ciclo

¿Se ha cerrado y asegurado bien la puerta?

¿Se ha seleccionado el ciclo correcto? Consulte “Información sobre los ciclos y opciones”.

¿Hay suministro eléctrico para la lavavajillas? ¿Hay un fusible de la casa fundido o se disparó el cortacircuitos? Reemplace el fusible o reposicione el cortacircuitos. Si el problema continúa, llame a un electricista.

¿Se ha detenido el motor debido a una sobrecarga? El motor se reactiva automáticamente en unos minutos. Si no lo hace, llame al servicio técnico.

¿Está abierta la válvula de cierre del agua (si ha sido instalada)?

Es normal que en ciertos ciclos se produzcan pausas repetidamente por unos cuantos segundos durante el ciclo de lavado.

■ La luz de START/RESUME (inicio/reanudar) está titilando

¿Se ha abierto la puerta durante el ciclo o se interrumpió el suministro de energía? La luz de Start/Resume (Inicio/Reanudar) destellará cuando se abra la puerta durante un ciclo o puede destellar si se interrumpe la energía. Oprima START/RESUME (inicio/reanudar) para reanudar el ciclo. Cerciórese de que la puerta esté bien cerrada y asegurada.

NOTA: En los modelos con control en la parte superior, si no se cierra la puerta dentro de los 3 segundos de haber presionado Start/Resume, presione START/RESUME nuevamente.

■ Está destellando la luz de Clean (limpio)

Verifique lo siguiente:

■ ¿Puede el flotador de protección de sobrelenado moverse hacia arriba o hacia abajo libremente? Oprima hacia abajo para liberarlo.

■ Asegúrese de que el suministro de agua esté conectado a la lavavajillas. (Esto es de suma importancia, luego de haber hecho la nueva instalación de su lavavajillas.)

■ Verifique si hay espuma en la lavavajillas. Si el sistema de sensor detecta espuma, es posible que la lavavajillas no funcione correctamente o que no se llene de agua.

La espuma puede ser ocasionada por lo siguiente:

1. Uso del tipo incorrecto de detergente, como podría ser un detergente para lavar los platos a mano, detergente para ropa o jabón de tocador.
2. Olvidarse de volver a colocar la tapa del depósito del agente de enjuague después de llenarlo (o de volver a llenarlo).
3. Uso de cantidades excesivas de detergente para lavavajillas.

■ La lavavajillas no se llena de agua

Asegúrese de que el suministro de agua esté conectado a la lavavajillas. (Esto es de suma importancia, luego de haber hecho la nueva instalación de su lavavajillas.)

Verifique si hay espuma en la lavavajillas. Si se detecta espuma, es posible que la lavavajillas no funcione correctamente o que no se llene de agua. (Vea la sección “Está destellando la luz de limpio” para obtener más información.)

¿Puede el flotador de protección de sobrelenado moverse hacia arriba o hacia abajo libremente? Oprima hacia abajo para liberarlo.

■ La lavavajillas pasa mucho tiempo en marcha

Pruebe el ciclo de 1 Hour Wash (Lavado de una hora - en algunos modelos).

Cuando seleccione ciclos que son de ahorro de energía y usan menos agua, la duración del ciclo será típicamente de 3 horas.

Algunas opciones aumentarán el tiempo del ciclo. Vea la sección “Información sobre los ciclos y opciones”. La opción de Heated Dry (Secado con calor) agregará ½ hora.

Antes de comenzar el ciclo, haga correr agua caliente de un grifo que esté cerca de la lavavajillas.

¿El agua que ingresa a la lavavajillas está lo suficientemente caliente? La lavavajillas toma más tiempo cuando calienta el agua. Para evitar retrasos más prolongados mientras la lavavajillas calienta el agua que está demasiado fría, asegúrese de que el agua esté a 120°F (49°C) cuando entra en la lavavajillas. Consulte la sección “Consejos para la eficiencia de la lavavajillas”.

En algunos ciclos de lavado y enjuague hay un retraso automático hasta que el agua alcance la temperatura apropiada.

■ Queda agua en la lavavajillas

¿Se ha terminado el ciclo?

¿Se quitó el tapón del disco removible durante la instalación? (Vea “Instalación de la manguera de desagüe” en las Instrucciones de instalación.)

■ Queda detergente en la sección con tapa del depósito

Fíjese si hay artículos tales como charolas para galletas, tablas de cortar o recipientes grandes que pudieran impedir que el depósito de detergente se abra como es debido.

Asegúrese de que se ha terminado el ciclo (la luz verde está encendida). Si no se ha terminado, deberá reanudar el ciclo presionando START/RESUME (Inicio/Reanudar) y cerrando la puerta en menos de 3 segundos.

¿Está el detergente sin grumos? Cambie el detergente si fuera necesario.

¿Está la canasta inferior instalada correctamente con los parachoques al frente (en algunos modelos)? Consulte la sección “Piezas y características”. Si es necesario, instale nuevamente la canasta.

■ Residuos blancos aparecen en la parte frontal del panel de acceso

¿Se usó demasiado detergente? Consulte la sección “Detergente”.

¿Es la marca de detergente lo que causa espuma en exceso? Pruebe una marca diferente para reducir la espuma y eliminar la acumulación.

■ Olor en la lavavajillas

¿Se lavan los platos sólo cada 2 ó 3 días? Páselos por un ciclo de enjuague una o dos veces por día hasta que usted acumule una carga completa.

¿Tiene la lavavajillas un olor a plástico nuevo? Haga un enjuague con vinagre como se describe en “Manchas y formación de películas en los platos”.

■ Condensación en el mostrador de la cocina (en modelos empotrados)

¿Está la lavavajillas alineada con el mostrador? La humedad proveniente del orificio de ventilación en la consola de la lavavajillas puede formarse en el mostrador. Consulte las Instrucciones de instalación para obtener más información.

■ La canasta inferior no se desliza completamente dentro de la lavavajillas

Fíjese si se han movido los artículos colocados. Vuelva a arreglar la carga de manera que los artículos no interfieran con el brazo de rociado. (Vea “Cómo cargar la canasta inferior”.)

Los platos no están completamente limpios

■ Residuos de alimentos en los platos

¿Se ha cargado la lavavajillas correctamente? Consulte la sección “Cómo cargar”.

¿Está la temperatura del agua demasiado baja? Para lograr óptimos resultados en el lavado de la vajilla, el agua deberá tener una temperatura de 120°F (49°C) al entrar en la lavavajillas. Consulte la sección “Consejos para la eficiencia de la lavavajillas”.

¿Usó usted la cantidad correcta de detergente fresco? Use únicamente detergentes recomendados para lavavajillas. Consulte la sección “Detergente”. El detergente debe estar fresco para ser eficaz. Guarde el detergente en un área fresca y seca. La suciedad profunda y/o el agua dura por lo general requieren extra detergente.

¿Tiene agua dura? Es posible que tenga que aumentar la cantidad de detergente que está usando. Consulte la sección “Detergente”. Además puede necesitar cambiar el detergente por uno cuyo contenido de fósforo sea de 8,7%.

¿Está el detergente endurecido en el depósito? Use sólo detergente fresco. No permita que el detergente permanezca por varias horas en un depósito húmedo. Limpie el depósito cuando haya detergente endurecido.

¿Está el sistema de lavado obstruido por las etiquetas de botellas y latas? Cerciórese de quitar todas las etiquetas de las botellas y latas antes de lavarlas.

¿Está la presión del agua de la casa lo suficientemente alta para lograr un llenado adecuado de la lavavajillas? La presión del agua de la casa debe ser de 20 a 120 lbs/pulg² (138-828 kPa) para obtener un llenado apropiado de la lavavajillas. Si

tiene preguntas acerca de la presión del agua, llame a un plomero competente autorizado.

¿Está el exceso de espuma reduciendo la velocidad del brazo rociador? No use jabón o detergentes para lavar ropa. Use únicamente detergentes recomendados para lavavajillas.

Manchas en los platos

■ Manchas y formación de películas en los platos

¿Es el agua dura o tiene un alto contenido de minerales? El acondicionar el agua del enjuague final con un agente de enjuague ayuda a eliminar las manchas y la formación de películas. Mantenga el depósito del agente de enjuague lleno.

¿Está la temperatura del agua demasiado baja? Para lograr óptimos resultados en el lavado de la vajilla, el agua deberá tener una temperatura de 120°F (49°C) al entrar en la lavavajillas. Consulte la sección “Consejos para la eficiencia de la lavavajillas”.

¿Usó usted la cantidad correcta de detergente eficaz? Use sólo detergentes recomendados para lavavajillas. Consulte la sección “Detergente”. El detergente debe estar fresco para ser eficaz. Guarde el detergente en un área fresca y seca. La suciedad profunda y/o el agua dura por lo general requieren extra detergente.

¿Está la presión del agua de la casa lo suficientemente alta para lograr un llenado adecuado de la lavavajillas? La presión del agua de la casa debe ser de 20 a 120 lbs/pulg² (138-828 kPa) para obtener un llenado apropiado de la lavavajillas. Si tiene preguntas acerca de la presión del agua, llame a un plomero competente autorizado.

NOTA: Para quitar manchas y las películas de los platos, pruebe un enjuague con vinagre blanco. Este procedimiento está destinado únicamente para uso ocasional. El vinagre es un ácido y su uso frecuente podría dañar la lavavajillas.

1. Lave y enjuague los platos. Use una opción de secado al aire o un secado que ahorra energía. Quite todos los objetos metálicos o cubiertos.
2. Ponga 2 tazas (500 mL) de vinagre blanco en una taza medidora de vidrio o de otro material seguro para lavavajillas en la canasta inferior.
3. Haga funcionar la lavavajillas por un ciclo completo con una opción de secado al aire. No use detergente. El vinagre se mezclará con el agua del lavado.

■ Película de sílice o corrosión (la película de sílice es un depósito blanco e iridiscente; la corrosión es una película turbia)

A veces se produce una reacción química al agua con ciertos tipos de objetos de cristal. Por lo general se debe a una combinación de agua suave o agua ablandada, soluciones alcalinas para lavar, enjuague insuficiente, sobrecarga de la lavavajillas y el calor del secado. Evitar este problema no sería posible, excepto lavando a mano.

Para retardar el proceso, use una mínima cantidad de detergente por carga. Consulte la sección “Detergente”. Use un agente de enjuague líquido y reduzca la carga de la lavavajillas para permitir un enjuague a fondo. Las películas de sílice y la corrosión son permanentes y no se pueden eliminar. No use el secado con calor.

■ Manchas blancas en las cacerolas con acabado antiadherente

¿Ha quitado el detergente de la lavavajillas el curado de las cacerolas? Vuelva a curarlas luego de lavarlas en la lavavajillas.

■ **Manchas de color castaño en los platos y en el interior de la lavavajillas**

¿Tiene el agua un alto contenido de hierro? Vuelva a lavar los platos usando 1-3 cucharaditas (5-15 mL) de cristales de ácido cítrico agregados en la sección con tapa del depósito del detergente. No use detergente. A continuación use el ciclo de Lavado normal con detergente. Si el tratamiento llega a ser necesario más de una vez cada dos meses, se recomienda la instalación de una unidad de eliminación de hierro.

■ **Marcas negras o grises en los platos**

¿Hay objetos de aluminio que rozan los platos durante el lavado? Los objetos de aluminio desechables pueden romperse en la lavavajillas y rayar los demás artículos. Lave estos objetos a mano. Quite las marcas de aluminio usando un producto de limpieza abrasivo suave.

■ **Manchas anaranjadas en los platos de plástico o en el interior de la lavavajillas**

¿Se han colocado grandes cantidades de platos con restos de comida a base de tomate en la lavavajillas? Las manchas desaparecen gradualmente con el tiempo. El uso continuo del secado caliente retardará la desaparición de las manchas. Las manchas no afectarán el rendimiento de la lavavajillas. El uso continuo de un ciclo de enjuague y una opción de secado al aire o un secado que ahorra energía reducirá la posibilidad de manchas.

Los platos no quedan bien secos

■ **Los platos no están secos**

¿Se cargó la lavavajillas de manera que permita el escurrido apropiado del agua? No sobrecargue. Consulte la sección "Cómo cargar". Use un agente de enjuague líquido para acelerar el secado.

¿Están mojados los objetos de plástico? Los objetos de plástico a menudo necesitan un secado con toalla.

¿Está vacío el depósito del agente de enjuague? Consulte la sección "Agente de enjuague".

¿Se usó una opción de secado al aire? Use una opción de secado con calor para obtener platos más secos.

Los platos se dañan durante el ciclo

■ **Platos desportillados**

¿Se cargó la lavavajillas adecuadamente? Coloque los platos y vasos de manera que estén estables y no choquen entre sí por la acción del lavado. El sacar y meter la canasta despacio reduce la posibilidad de desportilladuras.

NOTA: Algunos objetos de cristal antiguo, con cantos biselados y objetos similares de porcelana y cristal serían demasiado delicados para lavarse en la lavavajillas automática. Lávelos a mano.

Ruidos

■ **Se escuchan chirridos, trituraciones, crujidos o zumbidos**

Un objeto duro se ha introducido en el módulo de lavado (en algunos modelos). El sonido deberá cesar una vez que el objeto haya sido pulverizado. Si el ruido persiste después de un ciclo completo, llame al servicio técnico.

El exterior de la lavavajillas está sucio o marcado

■ **Marcas, manchas o residuos en el exterior de la lavavajillas**

¿Ha limpiado la lavavajillas con un detergente suave y un paño o ha usado un limpiador de acero inoxidable en los modelos con exterior de acero inoxidable? En la mayoría de los casos, todo lo que se debe hacer es usar periódicamente un paño o esponja suave húmedo con un detergente suave para que el exterior de su lavavajillas se vea limpio y reluciente. Si el exterior de la lavavajillas es de acero inoxidable, se recomienda el uso de un limpiador para acero inoxidable.

TABLE DES MATIÈRES

CONTRATS DE PROTECTION	44	CHARGEMENT	53
GARANTIE	45	Chargement pour l'obtention de la meilleure performance.....	53
SÉCURITÉ DU LAVE-VAISSELLE	46	Chargement du panier supérieur	54
PIÈCES ET CARACTÉRISTIQUES	48	Chargement du panier inférieur.....	55
MISE EN MARCHÉ / FAMILIARISATION RAPIDE	49	UTILISATION DU LAVE-VAISSELLE	56
Filtres amovibles ULTRA WASH® - performance supérieure..	49	Programmes et options.....	56
Important : Ne pas obstruer le distributeur de détergent.	49	Annulation d'un programme.....	58
Séchage - L'emploi d'un agent de rinçage est essentiel.	49	Changement de programme après la mise en marche	
Lavage en 1 heure - Lorsqu'on veut des résultats rapides.	49	du lave-vaisselle	58
Programme SmartWash®	49	Ajout de vaisselle après le commencement de l'exécution	
Appuyer sur START/RESUME (mise en marche/		d'un programme de lavage	59
réinitialisation) à chaque fois qu'on ajoute un plat.....	49	WASHING SPECIAL ITEMS	59
SYSTÈME DE FILTRATION ULTRA WASH®	50	ENTRETIEN DU LAVE-VAISSELLE	60
CONSEILS D'EFFICACITÉ POUR LE LAVE-VAISSELLE	51	Nettoyage	60
DÉTERGENT ET AGENT DE RINÇAGE	52	Circuit de décharge - anti-siphon	60
Détergent	52	Remisage.....	60
Agent de rinçage	52	DÉPANNAGE	61
		NUMÉROS DE SERVICE	COUVERTURE ARRIÈRE

CONTRATS DE PROTECTION

Contrats principaux de protection

Nous vous félicitons d'avoir fait un achat judicieux. Votre nouvel appareil Kenmore® est conçu et fabriqué pour vous procurer des années de fonctionnement fiable. Mais comme pour tous les produits, il pourra à l'occasion nécessiter un entretien préventif ou une réparation. Le cas échéant, un Contrat principal de protection peut vous épargner de l'argent et des soucis.

Le Contrat principal de protection contribue aussi à prolonger la vie utile de votre nouvel appareil ménager. Le Contrat* inclut :

- ✓ **Pièces et main-d'œuvre** nécessaires pour conserver les appareils en état de fonctionnement correct **pendant une utilisation normale**, pas uniquement les défaillances. Notre couverture **va bien au-delà de la garantie du produit**. Aucune franchise, aucune anomalie de fonctionnement ne sont exclues de ce contrat - **protection réelle**.
- ✓ **Un service d'expert** proposé par plus de 10 000 **techniciens d'entretien Sears** autorisés, ce qui signifie que quelqu'un de confiance prendra soin de votre produit.
- ✓ **Appels de service illimités et service national**, aussi souvent que vous en avez besoin et quand vous en avez besoin.
- ✓ **Garantie "Anti-citron"** - remplacement de votre produit couvert si plus de quatre pannes se produisent en deçà de douze mois.
- ✓ **Remplacement du produit** si votre produit couvert ne peut être réparé.
- ✓ **Vérification annuelle d'entretien préventif** sur demande - sans frais supplémentaires.
- ✓ **Aide rapide par téléphone** - nous appelons cela **Résolution rapide** - support téléphonique d'un agent de Sears sur tous les produits. Considérez-nous comme un "manuel d'utilisateur parlant".

✓ **Protection contre les sautes de puissance** pour prévenir les dommages électriques attribuables aux fluctuations de courant.

✓ **Couverture pour la perte de nourriture de 250 \$** par an sur tout aliment altéré en raison d'une défaillance mécanique sur tout réfrigérateur ou congélateur couvert.

✓ **Remboursement de location** si la réparation du produit couvert prend plus de temps que promis.

✓ **10 % de réduction** sur le prix courant de toute intervention de réparation non couverte et pièces de rechange.

Dès que vous achetez le Contrat, il suffit d'un appel téléphonique pour obtenir un rendez-vous de service. Vous pouvez appeler en tout temps jour et nuit ou prendre un rendez-vous de service en direct.

Le Contrat principal de protection constitue un investissement sans risque. Si vous annulez pour une quelconque raison pendant la période de garantie du produit, nous vous rembourserons intégralement ou nous vous verserons un remboursement au prorata après l'expiration de la période de garantie. Achetez votre Contrat principal de protection aujourd'hui même!

Certaines limitations et exclusions s'appliquent. Pour des prix et renseignements supplémentaires aux États-Unis, composez le 1-800-827-6655.

***Le contrat de couverture au Canada varie pour certains articles. Pour des informations détaillées, appelez Sears Canada au 1-800-361-6665.**

Service d'installation Sears

Pour l'installation professionnelle garantie par Sears d'appareils ménagers et d'articles tels que les ouvre-portes de garage, chauffe-eau, et autres gros appareils ménagers, aux É.-U. ou au Canada, composez le **1-800-4-MY-HOME®**.

GARANTIE DES APPAREILS MÉNAGERS KENMORE ELITE®

GARANTIE LIMITÉE DE UN AN

Lorsqu'il est installé, utilisé et entretenu conformément à toutes les instructions fournies avec le produit, si cet appareil ménager fait défaut par suite d'un vice de matériau ou de fabrication au cours de l'année qui suit la date d'achat, composer le 1-800-4-MY-HOME® pour obtenir une réparation gratuite.

GARANTIE LIMITÉE DE DEUX ANS SUR LE TABLEAU DE COMMANDE ÉLECTRONIQUE ET D'ALIMENTATION ÉLECTRIQUE

Pendant deux ans à compter de la date d'achat, lorsque ce lave-vaisselle est installé, utilisé et entretenu conformément à toutes les instructions fournies avec le produit, Sears remplacera toute pièce du module électronique et du tableau d'alimentation électrique s'il existe des défauts de matériaux ou de main-d'œuvre. Après la première année, le client assume tous les frais de main-d'œuvre associés au remplacement de ces pièces.

GARANTIE LIMITÉE DE DEUX ANS SUR LE SYSTÈME DE LAVAGE ULTRA WASH

Pendant deux ans à compter de la date d'achat, lorsque ce lave-vaisselle est installé, utilisé et entretenu conformément à toutes les instructions fournies avec le produit, Sears remplacera toute pièce du système de lavage Ultra Wash (moteur, pompe, bras d'aspersion, tourelle d'aspersion, joints d'étanchéité de moteur et de pompe) s'il existe des défauts de matériaux ou de main-d'œuvre. Après la première année, le client assume tous les frais de main-d'œuvre associés au remplacement de ces pièces.

GARANTIE LIMITÉE DE CINQ ANS SUR LES PANIERS SUPÉRIEUR ET INFÉRIEUR

Pendant cinq ans à compter de la date d'achat, lorsque ce lave-vaisselle est installé, utilisé et entretenu conformément à toutes les instructions fournies avec le produit, Sears remplacera les pièces du panier supérieur ou inférieur si le panier rouille du fait de matériaux ou de main-d'œuvre défectueux. Après la première année, le client assume tous les frais de main-d'œuvre associés au remplacement du panier.

GARANTIE LIMITÉE À VIE CONTRE LES FUITES DANS LA CUVE ET LE PANNEAU INTERNE DE LA PORTE SUR LES MODÈLES À CUVE EN ACIER INOXYDABLE KENMORE ELITE

Pendant toute la durée de vie du lave-vaisselle, si une fuite survient à la suite d'une perforation par la rouille de la cuve en acier inoxydable ou du panneau interne de la porte, Sears remplacera, sans frais, la cuve ou le panneau interne de la porte.

Si cet appareil ménager fonctionne à toute autre fin que l'utilisation familiale privée, la présente garantie ne s'appliquera que pendant 90 jours à partir de la date d'achat.

LA PRÉSENTE GARANTIE COUVRE UNIQUEMENT LES VICES DE MATÉRIAUX ET DE FABRICATION. SEARS NE PAIERA PAS POUR :

1. Les pièces courantes qui peuvent s'user suite à une utilisation normale, notamment les filtres, courroies, ampoules et sacs.
2. L'intervention d'un technicien pour montrer à l'utilisateur comment installer, utiliser et entretenir correctement le produit.

3. L'intervention d'un technicien pour nettoyer ou entretenir ce produit.
4. L'endommagement ou les défauts du produit si celui-ci n'est pas installé, utilisé ou entretenu conformément à toutes les instructions fournies avec le produit.
5. L'endommagement ou les défauts du produit résultant d'accident, usage impropre ou abusif ou utilisation autre que pour laquelle il est destiné.
6. L'endommagement ou les défauts du produit causés par l'utilisation de détergents, agents de nettoyage, produits chimiques ou ustensiles autres que ceux recommandés dans toutes les instructions fournies avec le produit.
7. L'endommagement ou les défauts des pièces ou systèmes résultant d'une modification non autorisée faite au produit.

CLAUDE D'EXONÉRATION DE RESPONSABILITÉ AU TITRE DES GARANTIES IMPLICITES; LIMITATION DES RECOURS

Le seul et exclusif recours du client dans le cadre de la présente garantie limitée consiste en la réparation prévue ci-dessus. Les garanties implicites, y compris les garanties applicables de qualité marchande et d'aptitude à un usage particulier, sont limitées à un an ou à la plus courte période autorisée par la loi. Sears n'assume aucune responsabilité pour les dommages fortuits ou indirects. Certains États ou certaines provinces ne permettent pas l'exclusion ou la limitation des dommages fortuits ou indirects, ou la limitation de la durée des garanties implicites de qualité marchande ou d'aptitude à un usage particulier, de sorte que cette exclusion ou limitation peut ne pas être applicable dans votre cas.

Cette garantie s'applique seulement lorsque cet appareil ménager est utilisé aux États-Unis et au Canada.

Cette garantie vous confère des droits juridiques spécifiques et vous pouvez également jouir d'autres droits qui peuvent varier d'un État à l'autre.

Sears, Roebuck and Co.
Dept. 817WA, Hoffman Estates, IL 60179
Sears Canada Inc.
Toronto, Ontario, Canada M5B 2B8

ENREGISTREMENT DU PRODUIT

Inscrivez les numéros de modèle et de série complets et la date d'achat. Vous trouverez ces renseignements sur l'étiquette des numéros de modèle et de série située sur le produit.

Gardez ces renseignements à disposition pour obtenir plus rapidement assistance ou service lorsque vous communiquez avec Sears au sujet de votre appareil ménager.

Numéro de modèle _____

Numéro de série _____

Date d'achat _____

Conservez ces instructions et votre reçu de vente pour référence ultérieure.

SÉCURITÉ DU LAVE-VAISSELLE

Votre sécurité et celle des autres est très importante.

Nous donnons de nombreux messages de sécurité importants dans ce manuel et sur votre appareil ménager. Assurez-vous de toujours lire tous les messages de sécurité et de vous y conformer.



Voici le symbole d'alerte de sécurité.

Ce symbole d'alerte de sécurité vous signale les dangers potentiels de décès et de blessures graves à vous et à d'autres.

Tous les messages de sécurité suivront le symbole d'alerte de sécurité et le mot "DANGER" ou "AVERTISSEMENT". Ces mots signifient :

⚠ DANGER

Risque possible de décès ou de blessure grave si vous ne suivez pas **immédiatement** les instructions.

⚠ AVERTISSEMENT

Risque possible de décès ou de blessure grave si vous ne suivez pas les instructions.

Tous les messages de sécurité vous diront quel est le danger potentiel et vous disent comment réduire le risque de blessure et ce qui peut se produire en cas de non-respect des instructions.

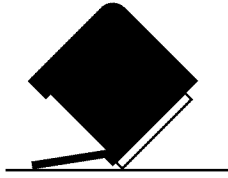
IMPORTANTES INSTRUCTIONS DE SÉCURITÉ

AVERTISSEMENT : Lors de l'utilisation du lave-vaisselle, suivre les précautions élémentaires dont les suivantes :

- Lire la totalité des instructions avant d'utiliser le lave-vaisselle.
- N'utiliser le lave-vaisselle que pour laver la vaisselle.
- Utiliser les détergents ou agents de rinçage recommandés pour lave-vaisselle et les garder hors de la portée des enfants.
- Lorsque vous chargez le lave-vaisselle :
 - 1) Placer les objets coupants de façon qu'ils ne puissent endommager le joint de la porte; et
 - 2) Placer les couteaux le manche vers le haut de façon à ne pas vous couper.
- Ne pas laver d'articles en plastique à moins qu'ils ne soient marqués "Peut aller au lave-vaisselle" ou l'équivalent. Si l'article ne porte aucune indication, vérifier auprès du fabricant.
- Ne pas toucher l'élément chauffant pendant le fonctionnement ou immédiatement après.
- Ne pas faire fonctionner le lave-vaisselle si tous les panneaux de l'enceinte ne sont pas en place.
- Ne pas jouer avec les commandes.
- Ne pas abuser, vous asseoir ni monter sur la porte, le couvercle ou les paniers du lave-vaisselle.
- Pour éviter tout risque d'accident, ne pas laisser les enfants jouer dans ou sur le lave-vaisselle.
- Sous certaines conditions, de l'hydrogène peut se former dans un réseau d'eau chaude inutilisé depuis deux semaines ou plus. L'HYDROGÈNE EST UN GAZ EXPLOSIBLE. Si le système d'eau chaude n'a pas été utilisé depuis un certain temps, laisser couler l'eau chaude des robinets pendant quelques minutes avant de faire fonctionner le lave-vaisselle. Cette mesure permettra à l'hydrogène de s'évaporer. Ce gaz étant inflammable, ne pas fumer ni utiliser de flamme nue pendant cette période.
- Enlever la porte ou le couvercle du compartiment de lavage lorsque vous remplacez ou mettez au rebut un vieux lave-vaisselle.

CONSERVEZ CES INSTRUCTIONS

⚠ AVERTISSEMENT



Risque de basculement

Ne pas utiliser le lave-vaisselle jusqu'à ce qu'il soit complètement installé.

Ne pas appuyer sur la porte ouverte.

Le non-respect de ces instructions peut causer des blessures graves ou des coupures.

INSTRUCTIONS DE MISE À LA TERRE

■ **Pour un lave-vaisselle relié à la terre, branché avec un cordon :**

Le lave-vaisselle doit être relié à la terre. En cas d'un mauvais fonctionnement ou d'une panne, la mise à terre réduira le risque d'un choc électrique en fournissant le moins de résistance pour le courant électrique. Le lave-vaisselle est équipé d'un cordon avec un conducteur pour relier les appareils à la terre. La fiche doit être branchée sur une prise appropriée, installée et reliée à la terre conformément aux codes et règlements locaux.

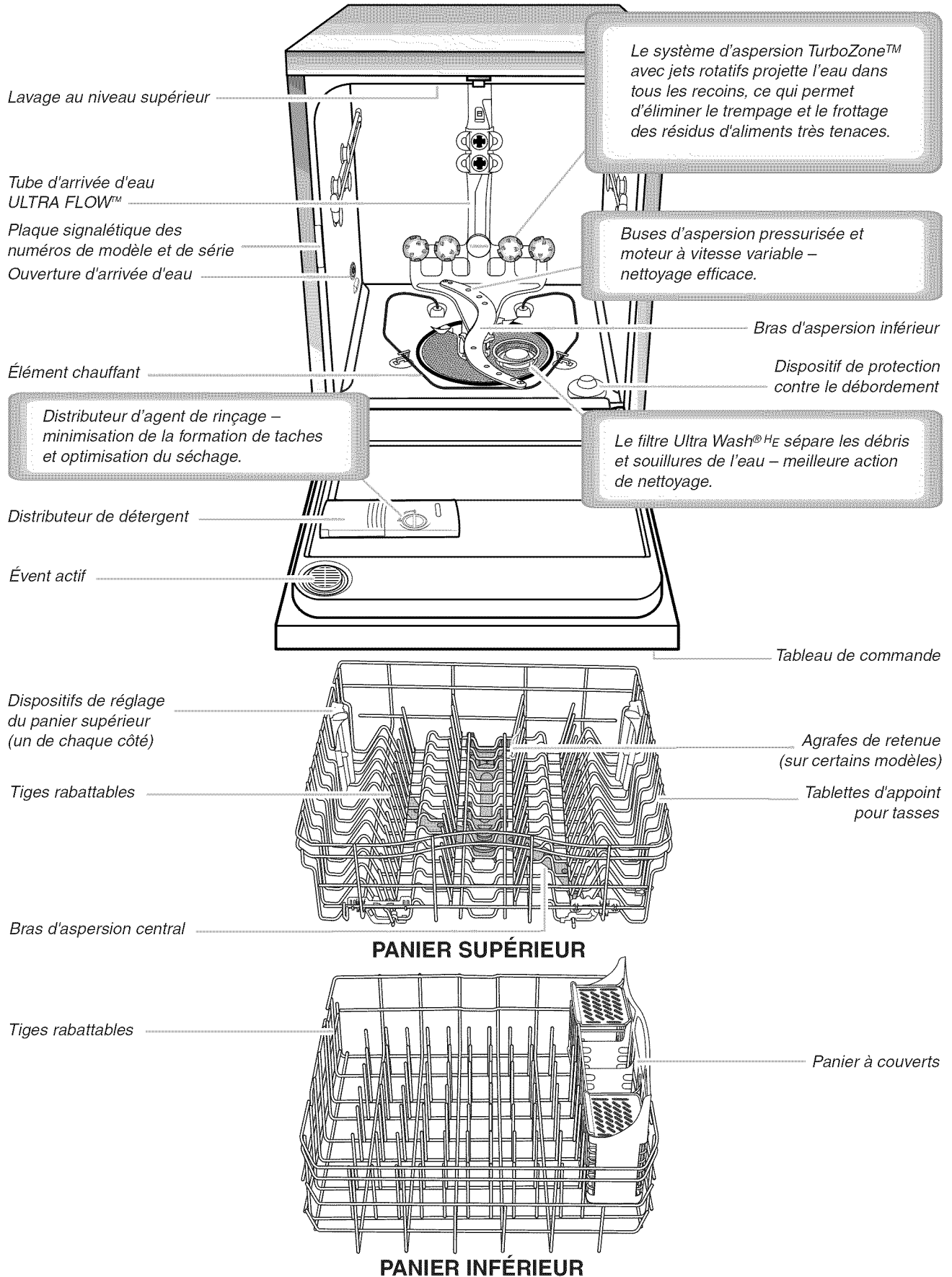
AVERTISSEMENT : La connexion incorrecte du conducteur pour relier les appareils à la terre peut causer le risque de choc électrique. Vérifier avec un électricien compétent ou un représentant de service si vous avez des doutes si le lave-vaisselle est correctement relié à la terre. Ne pas modifier la fiche fournie avec le lave-vaisselle; si elle n'entre pas dans la prise, faire installer une prise appropriée par un électricien compétent.

■ **Pour un lave-vaisselle branché en permanence :**

Le lave-vaisselle doit être branché à un système d'installation électrique permanent en métal relié à la terre, ou un conducteur pour relier les appareils à la terre doit être relié avec les conducteurs du circuit et branché à une borne pour relier les appareils à la terre ou au cordon d'alimentation électrique avec le lave-vaisselle.

CONSERVEZ CES INSTRUCTIONS

PIÈCES ET CARACTÉRISTIQUES



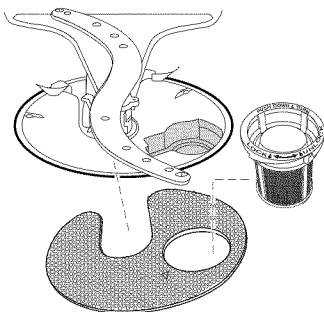
MISE EN MARCHÉ / FAMILIARISATION RAPIDE

CYCLES



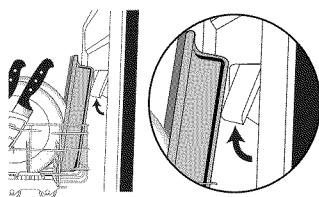
Filtres amovibles ULTRA WASH^{HE} - performance supérieure.

Le système de triple filtration comporte un filtre grossier qui retient les débris et objets étrangers de grande taille et les empêche d'atteindre la pompe, un filtre fin qui retient les débris alimentaires pour empêcher leur circulation dans la machine, et un filtre extra-fin (micro-filtration) qui retient les particules alimentaires les plus fines. Voir la section "SYSTÈME DE FILTRATION ULTRA WASH^{HE}" pour des informations sur la dépose et l'entretien des filtres.



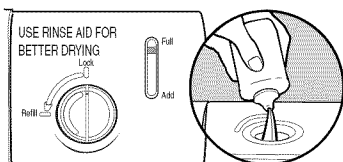
Important : Ne pas obstruer le distributeur de détergent.

Les articles de grande taille placés dans le panier inférieur peuvent bloquer la porte du distributeur. Une tôle à biscuits ou une planche à découper placée sur le côté gauche du lave-vaisselle pourrait facilement bloquer le fonctionnement du distributeur. Si après l'exécution d'un programme de lavage il reste du détergent à l'intérieur du distributeur ou au fond de la cuve, c'est parce que le distributeur n'a pas pu s'ouvrir correctement.



Séchage - L'emploi d'un agent de rinçage est essentiel.

Pour obtenir une bonne performance de séchage, on doit utiliser un agent de rinçage (échantillon inclus). L'emploi d'un agent de rinçage et de l'option Séchage avec chaleur produit la meilleure performance de séchage et évite la rétention excessive d'humidité à l'intérieur du lave-vaisselle.



OPTIONS



2 4 6



Lavage en 1 heure - Lorsqu'on veut des résultats rapides.

Un lave-vaisselle "haute efficacité" économise l'eau et l'énergie par l'utilisation d'un système de filtration amélioré, ce qui peut augmenter la durée des programmes (dans certains cas plus de 2 heures). Lorsqu'on souhaite obtenir des résultats plus rapidement, l'option Lavage en 1 heure consomme légèrement plus d'eau et d'énergie. Pour améliorer le séchage, sélectionner l'option Séchage avec chaleur, ce qui augmente la durée du programme d'une demi-heure.



Programme SmartWash^{HE}

Des capteurs optiques sont utilisés deux fois au cours du programme pour la détection des souillures; ils déterminent la taille de la charge, la quantité de souillures et la ténacité des souillures, ce qui permet d'optimiser la consommation d'énergie et d'eau. Les capteurs sont également calibrés automatiquement durant la vie du lave-vaisselle, ce qui maintient le niveau de la performance de nettoyage, sur la base des caractéristiques de l'eau utilisée.



Appuyer sur START/RESUME (mise en marche/réinitialisation) à chaque fois qu'on ajoute un plat.

Pour commencer et relancer un programme, appuyer sur START/ RESUME et fermer la porte dans les 3 secondes qui suivent. Si la porte n'est pas fermée en moins de 3 secondes, la DEL du bouton Start clignote et on ne peut relancer le programme.

IMPORTANT : Après une ouverture de la porte (comme pour l'ajout d'un plat, même pendant l'option Lavage différé), on doit appuyer le bouton START/RESUME à chaque fois et fermer la porte en moins de 3 secondes pour pouvoir relancer le programme.

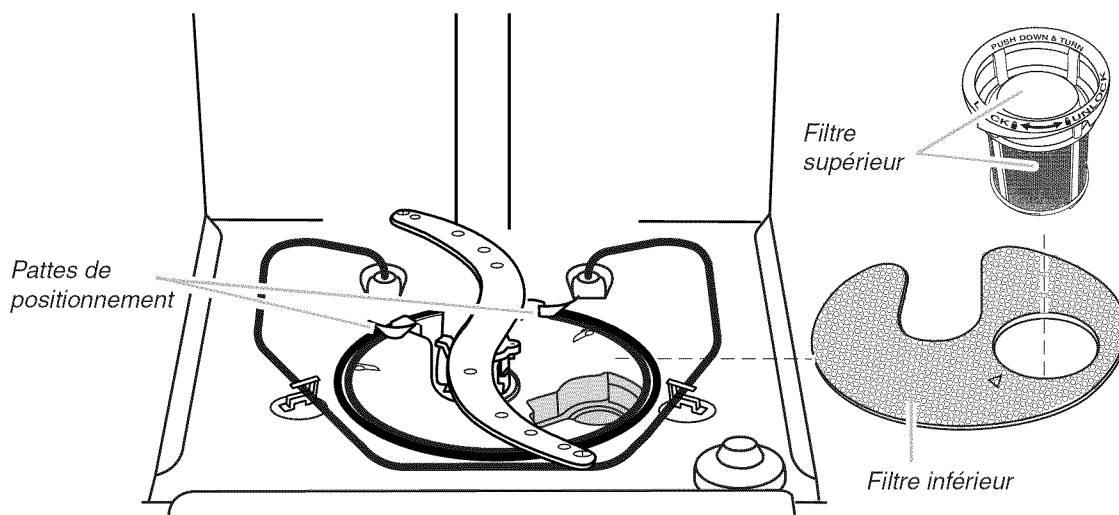


SYSTÈME DE FILTRATION ULTRA WASH® HE

Ce lave-vaisselle comporte la technologie la plus récente en matière de filtration. Le système à triple filtration minimise le bruit et optimise la consommation d'eau et d'énergie, tout en fournissant une performance de nettoyage supérieure. Durant toute la vie du lave-vaisselle le filtre nécessitera l'entretien approprié pour le maintien de la performance de nettoyage optimale.

Le système à triple filtration comprend deux parties : le filtre supérieur et le filtre inférieur.

- Le filtre supérieur retient les débris alimentaires et objets étrangers de grande taille ainsi que les particules alimentaires très fines, et les empêche d'atteindre la pompe.
- Le filtre inférieur retient les débris alimentaires et les empêche de circuler avec l'eau du lave-vaisselle.



Il peut être nécessaire de nettoyer les filtres à certaines occasions :

- Présence d'objets et souillures dans le filtre supérieur.
- Dégradation de la performance de lavage (présence de résidus et souillures sur la vaisselle).
- Perception de rugosité au toucher sur les surfaces de la vaisselle.

Le processus de dépose et l'entretien des filtres est très facile. Le tableau ci-dessous indique la fréquence de nettoyage recommandée pour les filtres.

Intervalles de nettoyage recommandés pour les filtres

Nombre d'utilisations par semaine	Vaisselle lavée avant le chargement	Vaisselle raclée et rincée avant le chargement	Vaisselle seulement raclée avant le chargement*	Vaisselle ni raclée ni rincée avant le chargement
1-3	Une fois par an	Une fois par an	Deux fois par an	Tous les deux mois
4-7	Une fois par an	Une fois par an	Deux fois par an	Une fois par mois
8-12	Une fois par an	Deux fois par an	Tous les trois mois	Toutes les deux semaines
13-14	Une fois par an	Deux fois par an	Tous les trois mois	Une fois par semaine

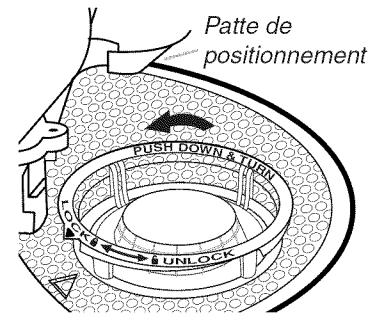
*Recommandation du fabricant : Cette pratique éliminera la consommation d'eau et d'énergie associée à la préparation de la vaisselle et vous épargnera du temps et des efforts.

Eau très dure

Si l'eau distribuée dans la région est très dure (concentration de calcaire supérieure à 15 grains), nettoyer le filtre au moins une fois par mois. La formation d'un résidu blanc sur les surfaces du lave-vaisselle indique la dureté de l'eau. Vous pouvez soumettre des échantillons d'eau à Sears pour la détermination du degré de dureté. On trouve à la section "Dépannage" des conseils sur l'élimination des taches.

Dépose du filtre

1. Faire tourner le filtre supérieur de $\frac{1}{4}$ tour dans le sens antihoraire; soulever le filtre.
2. Saisir le filtre inférieur dans l'ouverture circulaire, soulever légèrement et tirer vers l'avant.
3. Nettoyer les filtres - voir la description du processus ci-dessous.



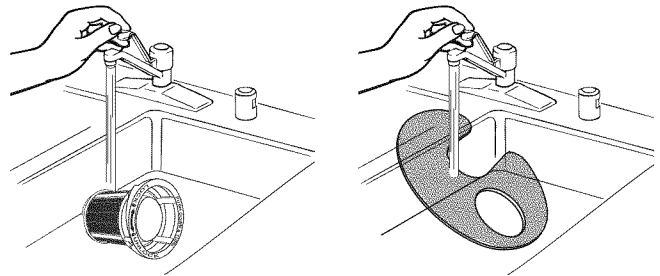
Dépose du filtre supérieur

Nettoyage

IMPORTANT :

Ne pas utiliser de brosse métallique ou de tampon à récurer, etc., susceptible d'endommager les filtres.

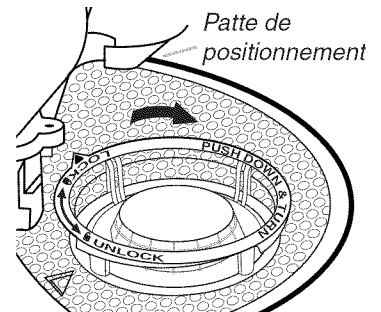
Rincer chaque filtre sous le jet d'eau du robinet, pour éliminer la plupart des souillures. S'il reste des souillures difficiles à enlever ou des dépôts de calcium imputables à la dureté de l'eau, il peut être nécessaire d'employer un pinceau souple.



Réinstallation des filtres

1. Voir les illustrations précédentes. Placer le filtre inférieur sous les pattes de positionnement au fond du lave-vaisselle; l'ouverture ronde qui recevra le filtre supérieur doit être alignée avec l'ouverture ronde qu'on trouve au fond de la cuve.
2. Insérer le filtre supérieur dans l'ouverture circulaire du filtre inférieur.
3. Faire tourner lentement le filtre dans le sens horaire pour la mise en place. Poursuivre la rotation jusqu'à la position de blocage. Si le filtre n'est pas parfaitement inséré (il peut encore tourner librement), poursuivre la rotation dans le sens horaire jusqu'à ce que le filtre descende et se cale en place.

REMARQUE : Il n'est pas nécessaire que la flèche sur le filtre supérieur soit alignée avec la flèche du filtre inférieur; il suffit que le filtre soit calé dans son logement.



Réinstallation du filtre supérieur

IMPORTANT :

Pour éviter d'endommager le lave-vaisselle, ne pas faire fonctionner le lave-vaisselle lorsque les filtres ULTRA WASH^{HE} ne sont pas correctement installés. Veiller à ce que le filtre inférieur soit bien calé en place, et à ce que le filtre supérieur soit immobilisé à sa position de service. Si le filtre supérieur tourne librement, il n'est pas calé en place.

CONSEILS D'EFFICACITÉ POUR LE LAVE-VAISSELLE

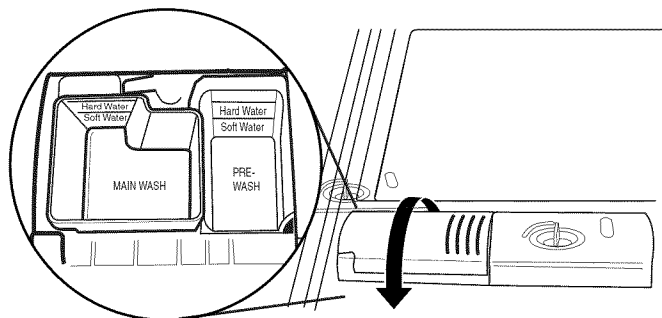
L'eau chaude dissout et active le détergent de lavage dans le lave-vaisselle. L'eau chaude dissout également les graisses sur la vaisselle, et permet d'éviter la formation de taches sur les verres. Pour l'obtention du meilleur résultat, on devrait introduire dans le lave-vaisselle de l'eau à 120°F (49°C); la vaisselle peut ne pas être parfaitement lavée si la température est trop basse.

Autres conseils pour l'efficacité

- Pour économiser eau, énergie et temps de travail, il suffit de racler la vaisselle pour enlever les gros résidus alimentaires; ne pas rincer les plats avant de les placer dans le lave-vaisselle.
- Utiliser la fonction de mise en marche différée pour commander l'exécution du lavage hors des périodes de forte consommation d'électricité. Les fournisseurs de services publics locaux recommandent d'éviter l'emploi intense d'énergie à certaines heures de la journée.
- Durant l'été, faire fonctionner le lave-vaisselle la nuit; on réduit ainsi l'introduction de chaleur dans la cuisine durant la journée.
- Utiliser un agent de rinçage pour optimiser le séchage.

DÉTERGENT ET AGENT DE RINÇAGE

Détergent



IMPORTANT :

Utiliser uniquement un détergent pour lave-vaisselle automatique. Le détergent pour lavage manuel de la vaisselle produit une quantité excessive de mousse, qui déborderait du lave-vaisselle.

Quantité de détergent recommandée

Verser la quantité de détergent recommandée dans chaque réceptacle du distributeur (voir l'illustration); fermer le couvercle du distributeur de détergent.

Poudres et gels

Dureté de l'eau	Degré de saleté	Tasse de pré-lavage	Tasse de lavage principal
Douce (0 à 4 grains par gallon US)	Léger	Aucune	½
	Normal	Aucune	½
	Intense	Pleine	½
Moyenne (5 à 9 grains par gallon US)	Léger	Aucune	½
	Normal	½	½
	Intense	Pleine*	Pleine*
Dure (10 à 14 grains par gallon US)	Léger	½	Pleine*
	Normal	Pleine*	Pleine*
	Intense	Pleine*	Pleine*

*Pour le remplissage à 100 %, le réceptacle de pré-lavage contient 7 c. à thé (35 mL) de détergent, et le réceptacle de lavage principal contient 9 c. à thé (45 mL) de détergent.

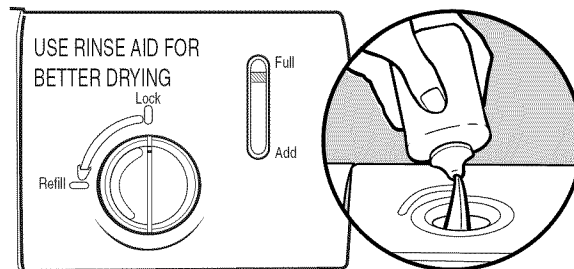
Quantités de détergent pré-mesurées

De nombreux détergents sont maintenant fournis sous forme de quantités pré-mesurées (sachets de gel, pastilles, ou sachets de poudre); les produits distribués sous ce format conviennent pour tous les niveaux de dureté de l'eau et de saleté de la vaisselle. Toujours placer la quantité pré-mesurée de détergent dans le réceptacle principal, et fermer le couvercle.

IMPORTANT :

Les dépôts minéraux formés par l'eau très dure (concentration de 15 grains par gallon US ou plus) peuvent endommager le lave-vaisselle et rendre difficile l'obtention d'un bon résultat. Il est recommandé d'employer un adoucisseur d'eau pour éviter des dommages et pour obtenir un résultat optimum. Vous pouvez soumettre des échantillons d'eau à Sears pour la détermination du degré de dureté.

Agent de rinçage



IMPORTANT :

Ce lave-vaisselle a été conçu pour l'emploi d'un agent de rinçage liquide. L'emploi d'un agent de rinçage améliore considérablement le séchage car il aide l'eau à s'écouler de la vaisselle après le rinçage final. Un agent de rinçage empêche également l'eau de former des gouttelettes qui pourraient laisser des taches ou des traces sur la vaisselle après le séchage.

Remplissage du distributeur

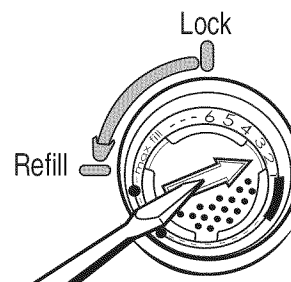
Le distributeur peut contenir 5 oz (150 mL) d'agent de rinçage. Dans la plupart des situations, cette quantité suffira pour 1 à 3 mois.

1. Placer le bouton à la position REFILL (remplissage) et ôter le bouton.
2. Verser l'agent de rinçage dans l'ouverture jusqu'à ce que l'indicateur soit près du repère FULL (plein). Ne pas remplir excessivement.
3. Récupérer toute quantité d'agent de rinçage renversé; cet excès d'agent de rinçage susciterait la génération d'une quantité excessive de mousse.
4. Réinstaller le bouton; placer le bouton à la position de verrouillage LOCK.

REMARQUE : L'indicateur affiche le niveau exact de remplissage lorsque la porte est complètement ouverte.

Réglage pour agent de rinçage

Le distributeur d'agent de rinçage est réglable. En général, le réglage de l'usine au niveau 2 produit un bon résultat. Si l'eau utilisée est dure et si on observe une accumulation de résidus de calcium sur la vaisselle, il sera utile de choisir un point de réglage plus élevé.



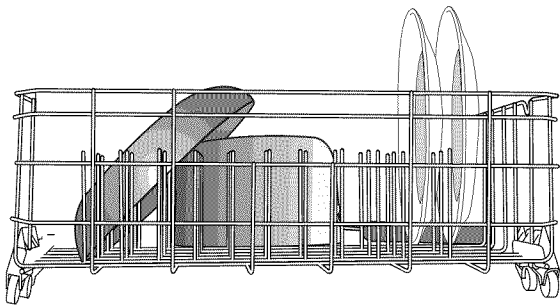
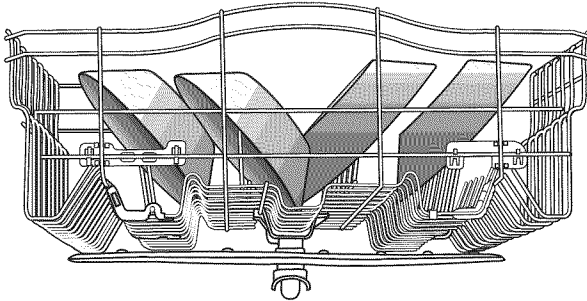
Processus de réglage

1. Placer le bouton à la position REFILL et ôter le bouton.
2. Faire tourner la flèche à l'intérieur du distributeur jusqu'à la position de réglage désirée.
3. Réinstaller le bouton; placer le bouton à la position de verrouillage LOCK.

CHARGEMENT

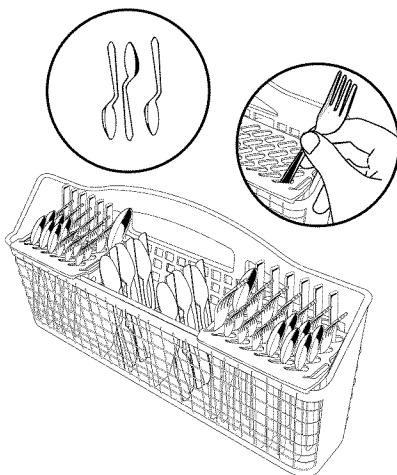
Chargement pour l'obtention de la meilleure performance

1. Orienter la surface la plus sale des plats vers le bas et laisser un espace adéquat pour que l'eau puisse circuler entre les paniers et entre les plats.

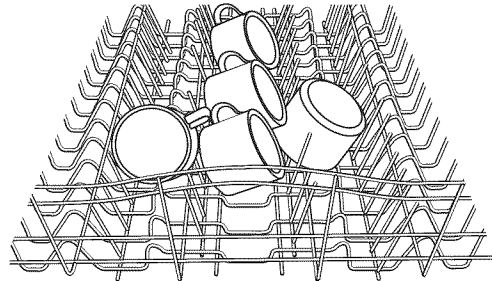


Une séparation appropriée permet une bonne circulation de l'eau.

2. Pour un nettoyage optimum des couverts, utiliser les ouvertures du couvercle du panier à couverts pour séparer les divers articles.

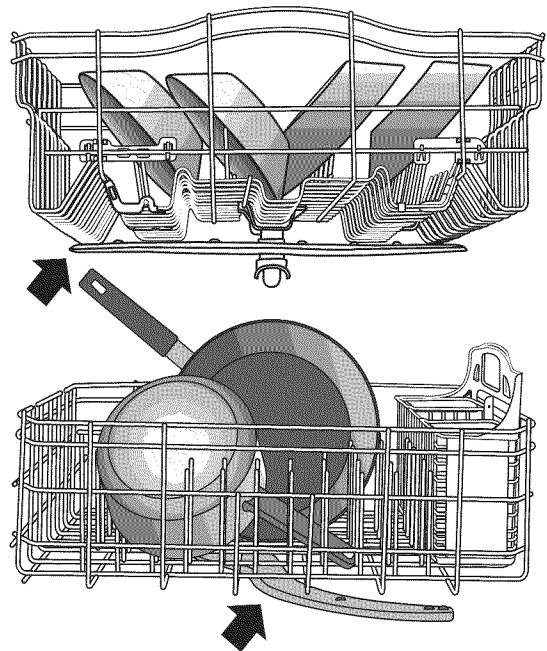


3. Orienter les articles creux (tasses et verres) de telle manière que l'eau puisse circuler; ceci optimisera la performance de séchage.



Articles creux inclinés

4. Avant de lancer chaque programme, vérifier que les bras d'aspersion peuvent tourner librement.



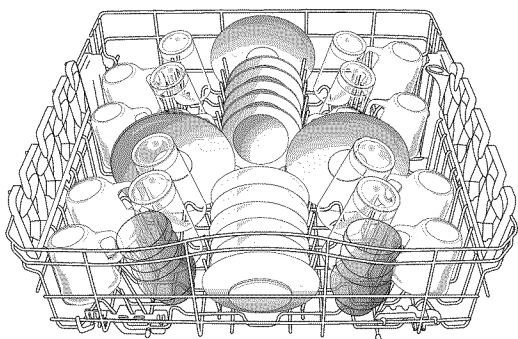
Rotation libre des bras d'aspersion.

Chargement du panier supérieur

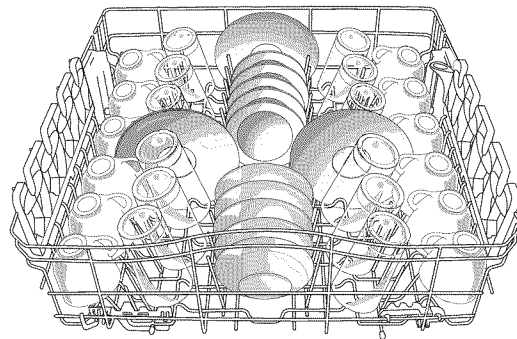
Recommandations pour le chargement

Placer les tasses et verres dans les rangées entre les tiges de séparation. Si on enfle les articles creux sur les tiges de séparation, des articles de vaisselle peuvent se briser et il peut rester des taches d'eau. Pour éviter d'endommager les articles délicats (comme la porcelaine, le cristal, les verres à pied et autres articles similaires), veiller à ce qu'aucun contact ne puisse s'établir entre eux durant le processus de lavage.

Placer les articles de plastique légers (lavables au lave-vaisselle) uniquement dans le panier supérieur.



Charge de 10 articles



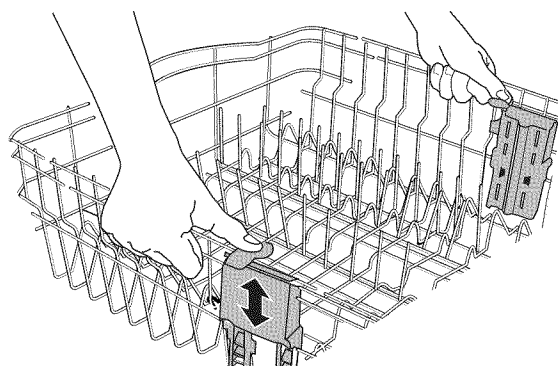
Charge de 12 articles

Panier de luxe - réglage à 2 positions

Il est possible de soulever ou abaisser le panier supérieur pour pouvoir placer plus facilement des articles de grande taille dans le panier supérieur ou dans le panier inférieur. Des dispositifs de réglage sont situés de chaque côté du panier supérieur.

Soulever le panier supérieur pour pouvoir placer des articles d'une hauteur de 9" (22 cm) dans le panier supérieur et des articles d'une hauteur de 13" (33 cm) dans le panier inférieur, ou abaisser le panier supérieur pour pouvoir placer des articles d'une hauteur de 11" (28 cm) dans les deux paniers.

1. Soulèvement : Soulever le panier pour placer les deux côtés à la même hauteur, et verrouiller.
2. Abaissement : Appuyer sur les deux pattes de blocage sur le dispositif de réglage - voir l'illustration - et abaisser.



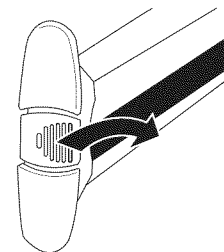
Panier supérieur amovible

Le panier supérieur amovible permet de laver des articles plus grands tels que casseroles, rôtissoires, et tôles à biscuits, dans le panier inférieur.

IMPORTANT : Retirer la vaisselle avant de retirer le panier supérieur du lave-vaisselle.

Pour enlever le panier supérieur

1. Tirer le panier légèrement vers l'avant pour accéder aux attaches.
2. En appuyant sur les bords vers l'intérieur, pousser l'attache jusqu'à ce que le côté externe se dégage. Glisser l'attache vers l'intérieur du bord de la glissière pour enlever l'attache.
3. Après avoir enlevé les deux attaches, retirer le panier.



Pour replacer le panier supérieur

1. Placer les roulettes de chaque côté du panier dans les glissières du panier et pousser le panier jusqu'au fond.
2. Aligner le côté ouvert de l'attache avec le bord interne de la glissière du panier.
3. Appuyer sur les bords et glisser l'attache vers le bord externe du panier jusqu'à fixation en place.
4. Répéter l'opération pour l'autre côté.
5. Retirer complètement le panier pour s'assurer que les attaches sont en bonne position.

Chargement du panier inférieur

Recommandations pour le chargement

Le panier inférieur convient particulièrement pour les assiettes, plats, casseroles et ustensiles. (Les illustrations présentent la répartition recommandée pour le chargement.)

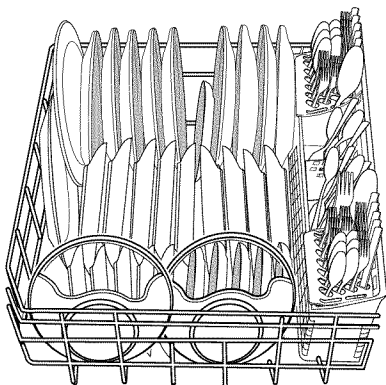
Placer des petits articles dans le panier inférieur seulement s'ils sont maintenus en place.

Charger les assiettes, bols à soupe, etc., entre les tiges de séparation.

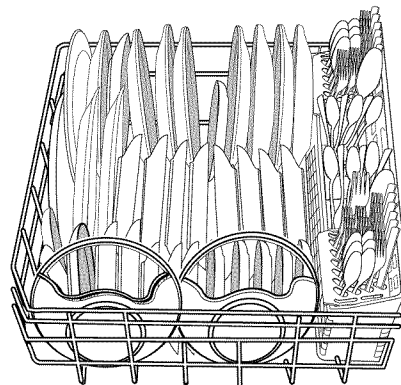
Veiller à ce que les bols soient bien maintenus entre les rangées de tiges. Veiller à ce qu'il y ait suffisamment d'espace entre les assiettes pour que l'eau projetée atteigne toutes les surfaces.

Placer les articles très souillés face au jet d'aspersion.

REMARQUE : Veiller à ce que le distributeur de détergent ne soit pas bloqué par des articles de grande taille comme une tôle à biscuits ou planche à découper placée sur le côté gauche du panier/à l'avant. Voir la section "Mise en marche - Familiarisation rapide".



Charge de 10 articles

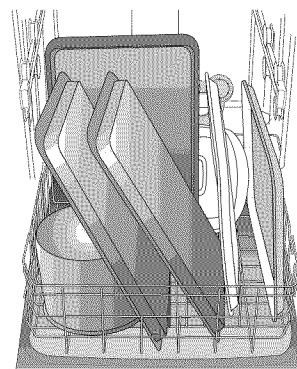
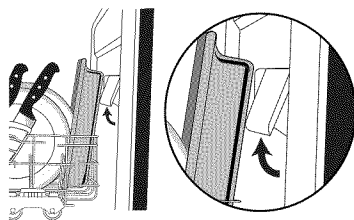


Charge de 12 articles

Chargement des articles de grande taille

Il est possible de placer des articles de grande taille - comme les marmites, plats de rôtissage et tôles à biscuits - dans le panier inférieur, si on enlève le panier supérieur. Voir la section "Chargement du panier supérieur".

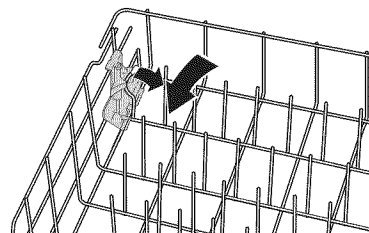
IMPORTANT : Veiller à ne pas bloquer le distributeur de détergent.



Tiges rabattables

On peut abaisser une rangée de tiges à l'arrière du panier inférieur.

1. Saisir la pointe de la tige qui se trouve dans le support de la tige.
2. Tirer doucement la tige hors du support de la tige.
3. Coucher la rangée de tiges dans le panier pour faire de la place pour des plats plus gros, des bols, casseroles ou rôtissoires.

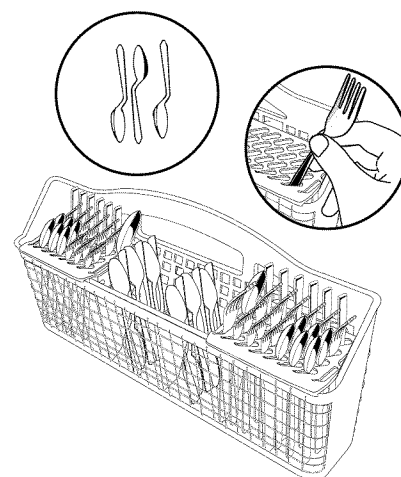


Chargement des couverts

Employer la configuration de chargement suggérée (voir l'illustration) pour obtenir un lavage optimum des couverts.

Placer les articles dans les ouvertures du couvercle du panier à couverts pour qu'ils soient séparés, ce qui permettra un lavage optimum (voir l'illustration à droite).

REMARQUE : Si certains articles ne peuvent passer dans les ouvertures du couvercle, enlever le couvercle, et répartir/orienter les articles de diverses catégories pour qu'ils restent séparés. Placer les lames des couteaux vers le bas, placer les dents des fourchettes vers le haut, et alterner l'orientation des cuillères - pour pouvoir obtenir le meilleur lavage.



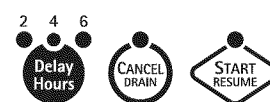
UTILISATION DU LAVE-VAISSELLE

Programmes et options

CYCLES



OPTIONS



Programmes	Degré de saleté	Durée* (minutes) sans options		Consommation d'eau Gallons (litres)
		Typique**	Max	
SmartWash^{® HE} cycle (programme SmartWash^{® HE}) Le programme le plus avancé et le plus polyvalent. Avec ce programme, la machine détecte la taille de la charge, la quantité de souillures et la ténacité des souillures. Ce programme est optimisé pour un nettoyage remarquable, avec un minimum d'eau et d'énergie.	Léger à moyen	110	163	4,2 (15,9)
	Saleté résistante/ cuite sur les ustensiles	135	194	4,8 (18,2)
	Intense	135	194	6,9 (26,1)
Pots Pans (casseroles et ustensiles) Le programme produit son meilleur effet sur les articles les plus difficiles à laver, comme les casseroles souillées de résidus de cuisson.	Léger à moyen	140	202	4,8 (18,2)
	Intense/ Saleté cuite sur les ustensiles	150	203	6,9 (26,1)
Normal Wash (lavage normal) Avec ce programme la machine détecte le niveau de souillure de l'eau et exécute les ajustements appropriés pour la consommation d'eau et d'énergie. Le Guide d'information sur la consommation d'énergie est basé sur ce programme.	Léger à moyen	110	161	4,2 (15,2)
	Intense	130	193	6,9 (26,1)
China Gentle (porcelaine - lavage en douceur) Programme de lavage léger et séchage doux pour les articles délicats, comme ceux en porcelaine et en cristal.	Léger à moyen	105	161	4,2 (15,2)
	Intense	125	194	6,9 (26,1)

1 Hour Wash (Lavage en une heure) Un lave-vaisselle "haute efficacité" économise l'eau et l'énergie par l'utilisation d'un système de filtration amélioré, ce qui peut augmenter la durée des programmes (dans certains cas plus de 2 heures). Lorsqu'on souhaite obtenir des résultats plus rapidement, l'option Lavage en 1 heure consomme légèrement plus d'eau et d'énergie. Pour améliorer le séchage, sélectionner l'option Séchage avec chaleur, ce qui augmente la durée du programme d'une demi-heure.	Tous degrés de saleté	58	58	8 (30,3)
---	-----------------------	----	----	-------------

Quick Rinse (rinçage rapide) Un rinçage de 15 minutes pour réduire les odeurs de nourriture et empêcher les résidus alimentaires de sécher. Ne pas utiliser de détergent.	Tous degrés de saleté	15	16	2,1 (7,9)
---	-----------------------	----	----	--------------

*L'ajout d'options augmente la durée d'exécution de ce programme. Voir la section sur les options.

**Durée approximative d'exécution du programme lorsqu'on introduit de l'eau chaude à 120°F (49°C) dans le lave-vaisselle. Si la température de l'eau est plus basse, la durée d'exécution du programme sera augmentée.

Options	À sélectionner avec ces programmes	Action	Durée ajoutée au programme		Eau ajoutée [†] Gallons (litres)
			Typique	Max	
Hi temp (haute température) Augmentation de la température de l'eau du lavage principal pour l'amélioration du lavage. Lors de l'emploi avec le programme Lavage normal, cette option renforce l'intensité de l'action de nettoyage, mais pas autant que le programme Casseroles et ustensiles.	SmartWash^{®HE} Casseroles et ustensiles Lavage normal	Augmentation de la température de l'eau pour le lavage principal : de 105°F (41°C) à 120°F (49°C).	22	37	0 - 2,1 (0 - 7,9)

Sani Rinse (rinçage sanitaire) Cette option à haute température assainit la vaisselle et la verrerie conformément à la norme 184 de National Sanitation Foundation (NSF)/ANSI pour les lave-vaisselle résidentiels. Les lave-vaisselle résidentiels certifiés ne sont pas destinés aux établissements alimentaires autorisés. Le témoin vert s'allume pour indiquer la fin de l'assainissement à la vapeur.	SmartWash^{®HE} Casseroles et ustensiles Lavage normal	Augmentation de la température de l'eau pour le lavage principal, de 105°F (41°C) à 120°F (49°C), augmentation de la température de l'eau pour le rinçage final de 140°F (60°C) à 155°F (68°C), et traitement final à la vapeur.	37	57	0 - 2,1 (0 - 7,9)
---	---	--	----	----	----------------------

Heated Dry (séchage avec chaleur) Ce programme commande l'alimentation de l'élément chauffant après la fin du processus de lavage. Utiliser un agent de rinçage avec ou sans séchage avec chaleur pour obtenir le meilleur séchage. Les articles de plastique seront moins exposés à un risque de déformation s'ils sont chargés dans le panier supérieur.	Utilisation avec tout programme excepté Rinçage rapide	Alimentation de l'élément chauffant à la fin de la phase de lavage.	26	32	0
--	---	---	----	----	---

[†]La quantité maximale d'eau supplémentaire pour toute combinaison d'options est de 2,1 gal. (7,9 L).

Delay Hours (lavage différé)

Utiliser cette option pour commander la mise en marche du lave-vaisselle hors des périodes de pointe de consommation d'électricité. Les fournisseurs de services publics locaux recommandent d'éviter les fortes consommations d'énergie durant certaines périodes de la journée, si possible.

Pour commander la mise en marche différée

1. Sélectionner un programme de lavage et des options.
2. Appuyer sur le bouton Delay pour choisir la durée de la période d'attente en heures, avant la mise en marche.
3. Appuyer sur START/RESUME et bien fermer la porte dans les 3 secondes qui suivent. Le lave-vaisselle se mettra en marche après l'expiration de la période d'attente sélectionnée.

REMARQUE : À chaque fois que la porte est ouverte (par ex. pour ajouter un plat), il faut appuyer une nouvelle fois sur le bouton START/RESUME dans les 3 secondes qui suivent la fermeture de la porte pour reprendre le compte à rebours de la mise en marche différée.

Control Lock Option (option de verrouillage des commandes)

Utiliser la fonction de verrouillage des commandes pour éviter l'utilisation involontaire du lave-vaisselle entre les programmes. Lorsque le témoin LOCK ON est illuminé, tous les boutons de la console de commande sont désactivés. Il est possible d'ouvrir et de refermer la porte du lave-vaisselle lorsque les commandes sont désactivées.

Désactivation des commandes

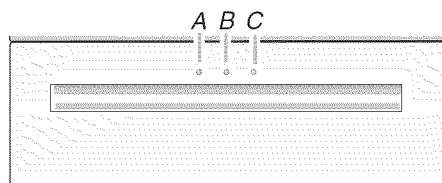
Appuyer pendant 4 secondes sur la touche HEATED DRY. Le témoin LOCK ON s'allume. Si on appuie sur une touche quelconque alors que les commandes du lave-vaisselle sont désactivées, le témoin émet 3 clignotements.

REMARQUE : Le lave-vaisselle ne peut fonctionner lorsque les commandes sont désactivées.

Réactivation des commandes

Appuyer pendant 4 secondes sur la touche HEATED DRY. Le témoin s'éteint.

Status Indicator Lights (témoins de statut)



- A. Programme de lavage
- B. Programme de séchage
- C. Témoin lumineux Clean (propre)

Témoins du panneau avant - Le témoin de gauche indique que le programme de lavage est en cours d'exécution. Le témoin central indique que le lavage est terminé et que le séchage est en cours. Le témoin vert Clean, à droite, indique que le programme est terminé et qu'on peut décharger le lave-vaisselle. Si le témoin Clean clignote, consulter la section "Dépannage".

Annulation d'un programme

1. Entrouvrir la porte pour arrêter le programme. Attendre l'arrêt de l'action d'aspersion avant d'ouvrir complètement la porte.
2. Appuyer une fois sur le bouton CANCEL/DRAIN (annulation/vidange). Le témoin Cancel/Drain s'allume.
3. Fermer la porte dans les 3 secondes qui suivent. Le lave-vaisselle entreprend la vidange de l'eau (s'il reste de l'eau au fond de la cuve); laisser le lave-vaisselle se vider complètement. Le témoin Cancel/Drain s'éteint après 2 minutes.

Changement de programme après la mise en marche du lave-vaisselle

Il est possible d'interrompre l'exécution d'un programme et de reprendre la programmation depuis le début, comme suit.

1. Entrouvrir la porte pour arrêter le programme. Attendre l'arrêt de l'action d'aspersion avant d'ouvrir complètement la porte.
2. Vérifier que le couvercle du distributeur de détergent est encore fermé. Si le couvercle est ouvert, il est nécessaire de remplir le distributeur de détergent avant de redémarrer le nouveau programme.
3. Appuyer deux fois sur CANCEL/DRAIN pour réinitialiser les commandes.
4. Sélectionner le nouveau programme et les options.
5. Appuyer sur START/RESUME, et bien fermer la porte dans les 3 secondes qui suivent.

REMARQUE : Si la porte n'est pas fermée dans les 3 secondes après avoir appuyé sur Start/Resume, appuyer de nouveau sur START/RESUME.

Ajout de vaisselle après le commencement de l'exécution d'un programme de lavage

1. Entrouvrir la porte pour arrêter le programme. Attendre l'arrêt de l'action d'aspersion avant d'ouvrir complètement la porte.
2. Vérifier que le couvercle du distributeur de détergent est encore fermé. Si le couvercle est ouvert, la phase de lavage a déjà commencé, et il est alors déconseillé d'ajouter de la vaisselle.
3. Si le détergent n'a pas encore été utilisé (couvercle du distributeur de détergent fermé), on peut ajouter un article de vaisselle.
4. Appuyer sur START/RESUME, et bien fermer la porte dans les 3 secondes qui suivent.

WASHING SPECIAL ITEMS

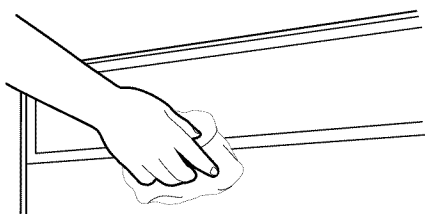
If you have doubts about washing a particular item, check with the manufacturer to see if it is dishwasher safe.

Material	Dishwasher Safe?	Comments
Aluminum	Yes	High water temperature and detergents can affect finish of anodized aluminum.
Disposable Aluminum	No	Do not wash disposable aluminum pans in the dishwasher. These might shift during washing and transfer black marks to dishes and other items.
Bottles and Cans	No	Wash bottles and cans by hand. Labels attached with glue can loosen and clog the wash system and reduce washing performance.
Cast Iron	No	Seasoning will be removed and then will rust.
China/Stoneware	Yes	Always check manufacturer's recommendations before washing. Antique, hand-painted, or over-the-glaze patterns may fade. Gold leaf can discolor or fade.
Crystal	Yes	Always check manufacturer's recommendations before washing. Some types of leaded crystal can etch with repeated washing.
Gold	No	Gold-colored flatware will discolor.
Glass	Yes	Milk glass material yellows with repeated dishwasher washing.
Hollow-Handle Knives	No	Handles of some knives are attached to the blade with adhesives which can loosen if washed in the dishwasher.
Pewter, Brass, Bronze, and Copper	No	High water temperatures and detergent can discolor or pit the finish.
Disposable Plastics	No	Cannot withstand high water temperatures and detergents.
Plastics	Yes	Always check manufacturer's recommendations before washing. Plastic items may vary in their ability to withstand high temperatures and detergents. It is recommended that lightweight items such as lids and butter dishes be placed in the upper rack only. Sturdy items such as coolers and high-chair trays may be placed in the lower rack. When washing plastic items in the lower rack, it is recommended not to use the Heated Dry option.
Stainless Steel	Yes	Run a rinse cycle if not washing immediately. Prolonged contact with food containing salt, vinegar, milk products, or fruit juice can damage finish.
Sterling Silver or Silver Plate	Yes	Run a rinse cycle if not washing immediately. Prolonged contact with food containing salt, acid, or sulfide (eggs, mayonnaise, and seafood) can damage finish.
Tin	No	Not recommended.
Wooden Ware	No	Wash by hand. Always check manufacturer's instructions before washing. Untreated wood can warp, crack, or lose its finish.

ENTRETIEN DU LAVE-VAISSELLE

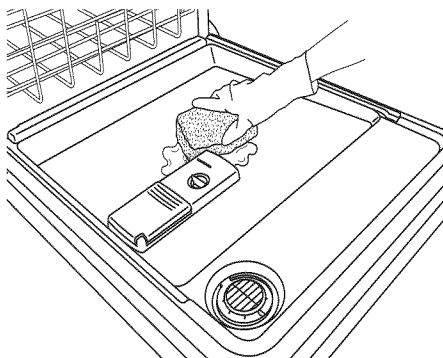
Nettoyage

Nettoyage de l'extérieur



Dans la plupart des cas, un nettoyage régulier au moyen d'un linge doux humidifié ou d'une éponge et d'un détergent doux suffit pour la préservation de l'esthétique et de la propreté des surfaces extérieures du lave-vaisselle. Si la finition extérieure du lave-vaisselle est faite d'acier inoxydable, on recommande l'emploi d'un produit de nettoyage pour acier inoxydable.

Nettoyage de l'intérieur



Les minéraux présents dans l'eau dure peuvent susciter la formation d'un film blanchâtre sur les surfaces intérieures, particulièrement juste au-dessous de la zone de la porte.

Ne pas entreprendre de nettoyer l'intérieur du lave-vaisselle avant qu'il se soit complètement refroidi. Il sera utile de porter des gants de caoutchouc. Ne jamais utiliser un produit de nettoyage autre qu'un détergent pour lave-vaisselle, car il pourrait provoquer un moussage excessif.

Nettoyage de l'intérieur

Verser un peu de détergent pour lave-vaisselle sur une éponge humide pour former une pâte, qu'on utilisera pour le nettoyage.

OU

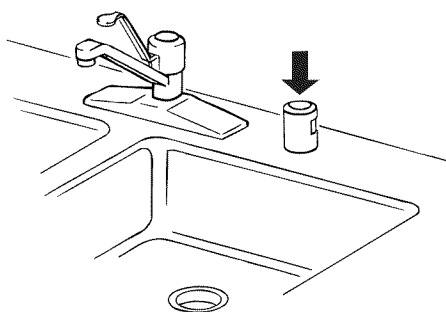
Utiliser un détergent liquide pour lave-vaisselle automatique, et nettoyer avec une éponge humide.

OU

Voir la procédure de rinçage à l'eau vinaigrée dans "Taches et films sur la vaisselle" dans la section "Dépannage".

REMARQUE : Exécuter un programme Normal avec du détergent pour lave-vaisselle après avoir nettoyé les surfaces intérieures.

Circuit de décharge - anti-siphon



Dans certaines juridictions, les codes de plomberie en vigueur exigent l'ajout d'un anti-siphon entre le lave-vaisselle et la canalisation d'acheminement à l'égout dans la résidence. S'il semble que l'évacuation de l'eau de vaisselle ne se fait pas parfaitement, vérifier l'état et la propreté du dispositif anti-siphon.

Le dispositif anti-siphon est généralement situé au sommet de l'évier ou sur le plan de travail à proximité du lave-vaisselle. Pour commander un dispositif anti-siphon, téléphoner à **1-800-4-MY-HOME®**. Demander la pièce numéro 300096.

REMARQUE : Le dispositif anti-siphon est un accessoire externe qui n'est pas fourni avec le lave-vaisselle. La garantie accordée avec le lave-vaisselle ne couvre pas les dépenses directement associées au nettoyage ou à la réparation d'un dispositif anti-siphon externe.

Nettoyage du dispositif anti-siphon

Nettoyer périodiquement le dispositif anti-siphon pour garantir une bonne évacuation du lave-vaisselle. Pour la plupart des types, il suffit d'enlever le couvercle chromé. Dévisser le capuchon de plastique. Rechercher toute accumulation de saletés. Nettoyer si nécessaire.

Remisage

Remisage pour l'été

Si le lave-vaisselle n'est pas utilisé durant les mois d'été, fermer le robinet d'arrivée d'eau et débrancher le lave-vaisselle de la source de courant électrique.

Remisage pour l'hiver

Pour éviter d'éventuels dégâts par l'eau dans la résidence et une détérioration du lave-vaisselle par gel des canalisations d'eau. Si le lave-vaisselle doit rester inutilisé durant l'hiver dans une résidence de vacances, ou s'il peut être exposé à des températures proches du point de congélation, il convient de faire préparer le lave-vaisselle pour l'hivernage par un technicien agréé.

DÉPANNAGE

Essayer d'abord les solutions suggérées ici; elles pourraient vous éviter le coût d'une visite de service...

Le lave-vaisselle ne fonctionne pas correctement

■ Le lave-vaisselle ne fonctionne pas ou s'arrête au cours d'un programme

La porte est-elle bien fermée et enclenchée?

A-t-on sélectionné le bon programme? Consulter "Programmes et options".

Le lave-vaisselle est-il alimenté par le courant électrique? Un fusible est-il grillé ou un disjoncteur s'est-il déclenché? Remplacer le fusible ou réenclencher le disjoncteur. Si le problème persiste, appeler un électricien.

Le moteur s'est-il arrêté par suite d'une surcharge? Le moteur se réactive automatiquement après quelques minutes. S'il ne se remet pas en marche, contacter le service de dépannage.

Le robinet d'arrêt (le cas échéant) est-il ouvert?

Il est normal pour certains programmes de faire des pauses répétées pendant quelques secondes lors du programme de lavage.

■ Le témoin lumineux START/RESUME (mise en marche/réinitialisation) clignote

La porte a-t-elle été ouverte durant le programme ou le courant électrique a-t-il été interrompu? Le témoin Start/Resume clignote lors de l'ouverture de la porte durant un programme ou est susceptible de clignoter en cas de coupure de courant. Appuyer sur START/RESUME (mise en marche/réinitialisation) pour remettre le programme en marche. S'assurer que la porte est bien fermée et verrouillée.

REMARQUE : Sur les modèles à commandes sur le dessus, si la porte n'est pas fermée dans les 3 secondes après avoir appuyé sur Start/Resume, appuyer à nouveau sur START/RESUME (mise en marche/réinitialisation).

■ Le témoin lumineux Clean (propre) clignote

Vérifier ce qui suit :

- Le dispositif de protection contre le débordement peut-il monter et descendre librement? Appuyer dessus pour le libérer.
- Vérifier que le lave-vaisselle est bien alimenté en eau. (Ceci est particulièrement important lors de la première installation du lave-vaisselle.)
- Vérifier s'il y a un excès de mousse dans le lave-vaisselle. Si le système de capteurs du lave-vaisselle détecte un excès de mousse, le lave-vaisselle peut ne pas fonctionner normalement ou ne pas se remplir d'eau.

Un excès de mousse peut résulter de :

1. l'utilisation d'un type de détergent inapproprié, comme du liquide vaisselle, un détergent à lessive ou un savon pour les mains.
2. l'absence du bouchon du distributeur d'agent de rinçage après remplissage de ce dernier, suite à un oubli.
3. l'utilisation d'une quantité excessive de détergent pour lave-vaisselle.

■ Le lave-vaisselle ne se remplit pas

Vérifier que le lave-vaisselle est bien alimenté en eau. (Ceci est particulièrement important lors de la première installation du lave-vaisselle.)

Vérifier s'il y a un excès de mousse dans le lave-vaisselle. Si un excès de mousse est détecté, le lave-vaisselle peut ne pas fonctionner normalement ou ne pas se remplir d'eau. (Voir la section "le témoin lumineux Clean (propre) clignote" pour plus de renseignements.)

Le dispositif de protection contre le débordement peut-il monter et descendre librement? Appuyer dessus pour le libérer.

■ La durée d'exécution du programme semble être trop longue

Essayer le programme de lavage 1 Hour Wash (lavage en une heure) (sur certains modèles).

Un programme plus efficace sur le plan énergétique et consommant moins d'eau peut durer jusqu'à trois heures.

Certaines options augmenteront la durée du programme. Voir la section "Programmes et options". L'option Heated Dry (séchage avec chaleur) augmente la durée du programme d'une demi-heure.

Laisser couler l'eau chaude d'un robinet situé à proximité du lave-vaisselle avant de démarrer le programme.

L'eau fournie au lave-vaisselle est-elle suffisamment chaude? Le lave-vaisselle fonctionne plus longtemps durant le chauffage de l'eau. Pour éviter de trop longues périodes d'attente résultant du chauffage de l'eau acheminée dans le lave-vaisselle (si la température de celle-ci est trop basse), veiller à ce que la température de l'eau soit de 120°F (49°C) à son entrée dans le lave-vaisselle. Voir la section "Conseils d'efficacité pour le lave-vaisselle".

Une période d'attente s'ajoute automatiquement dans certains programmes de lavage et de rinçage jusqu'à ce que l'eau atteigne la température correcte.

■ Résidus d'eau dans le lave-vaisselle

Le programme est-il achevé?

A-t-on retiré le bouchon d'éjection du broyeur de déchets au cours de l'installation? (Voir "Installation du tuyau d'évacuation" dans les Instructions d'installation.)

■ Résidus de détergent dans la section avec couvercle du distributeur

Vérifier qu'aucun article, tel qu'une tôle à biscuits, une planche à découper ou un contenant de grandes dimensions, n'empêche le distributeur de détergent de s'ouvrir correctement.

Vérifier que le programme est bien terminé (le témoin lumineux vert est allumé). Si ce n'est pas le cas, il faut remettre le programme en marche en appuyant sur START/RESUME et en fermant la porte dans les trois secondes qui suivent.

Le détergent fait-il des grumeaux? Remplacer le détergent au besoin.

Le panier inférieur est-il installé correctement avec les butées (sur certains modèles) à l'avant? Voir la section "Pièces et caractéristiques". Réinstaller le panier au besoin.

■ Apparition d'un résidu blanc à l'avant du panneau d'accès

A-t-on utilisé une quantité excessive de détergent? Voir la section "Détergent".

La marque de détergent utilisée produit-elle trop de mousse? Essayer une marque de détergent différente pour réduire le moussage et éliminer l'accumulation.

■ Odeur dans le lave-vaisselle

La vaisselle est-elle lavée seulement tous les 2 ou 3 jours? Exécuter un programme de rinçage une ou deux fois par jour jusqu'à ce qu'une charge complète soit accumulée.

Le lave-vaisselle a-t-il une odeur de plastique neuf? Faire un rinçage au vinaigre tel que décrit dans la section "Taches et films sur la vaisselle".

■ Condensation sur le comptoir de la cuisine (modèles encastrés)

Le lave-vaisselle est-il aligné avec le dessus du comptoir? L'humidité sortant de l'évent de la console du lave-vaisselle peut se former sur le comptoir. Voir les Instructions d'installation pour plus de renseignements.

■ Le panier inférieur ne glisse pas complètement dans le lave-vaisselle

Vérifier que les articles chargés ne se sont pas déplacés. Charger à nouveau pour empêcher les articles d'interférer avec le bras d'aspersion. (Voir la section "Chargement du panier inférieur".)

Vaisselle pas complètement nettoyée

■ Résidus de produits alimentaires sur la vaisselle

La vaisselle est-elle chargée correctement? Voir la section "Chargement".

La température de l'eau est-elle trop basse? Pour les meilleurs résultats de lavage, l'eau devrait être à 120°F (49°C) à son entrée dans le lave-vaisselle. Voir la section "Conseils d'efficacité pour le lave-vaisselle".

A-t-on utilisé la bonne quantité de détergent frais? Utiliser seulement les détergents recommandés pour lave-vaisselle. Voir la section "Détergent". Pour qu'il soit efficace, il faut que le détergent soit frais. Remiser le détergent dans un endroit frais et sec. Une vaisselle très sale et/ou une eau dure nécessitent généralement un supplément de détergent.

L'eau que vous utilisez est-elle dure? Il se peut que vous ayez besoin d'augmenter la quantité de détergent que vous utilisez. Consulter la section "Détergent". Il se peut également que vous ayez besoin de changer et de choisir un détergent avec un contenu de phosphore de 8,7 %.

Y a-t-il des grumeaux de détergent dans le distributeur? Utiliser uniquement un détergent frais. Ne pas laisser le détergent pendant plusieurs heures dans un distributeur humide. Nettoyer le distributeur lorsqu'il s'y trouve des grumeaux de détergent.

Le système de lavage est-il obstrué par des étiquettes de bouteilles ou de boîtes métalliques? Veiller à ôter toutes les étiquettes des bouteilles et des boîtes métalliques avant de les laver.

La pression d'eau du domicile est-elle suffisamment élevée pour un remplissage convenable du lave-vaisselle? La pression d'eau du domicile devrait être de 20 à 120 lb/po² (138 à 828 kPa). Si vous avez des questions au sujet de la pression de votre eau, appelez un plombier qualifié agréé.

Une accumulation de mousse ralentit-elle le bras d'aspersion? Ne pas utiliser de savon ou de détergent à lessive. Utiliser uniquement les détergents recommandés pour lave-vaisselle.

Présence de taches sur la vaisselle

■ Taches et films sur la vaisselle

L'eau est-elle dure ou contient-elle une concentration élevée de minéraux? Le conditionnement de l'eau de rinçage final avec un agent de rinçage liquide favorise l'élimination des taches et films. Veiller à ce que le distributeur d'agent de rinçage soit toujours rempli.

La température de l'eau est-elle trop basse? Pour les meilleurs résultats de lavage, l'eau devrait être à 120°F (49°C) à son entrée dans le lave-vaisselle. Voir la section "Conseils d'efficacité pour le lave-vaisselle".

A-t-on utilisé la bonne quantité de détergent efficace? Utiliser seulement les détergents recommandés pour lave-vaisselle. Voir la section "Détergent". Pour qu'il soit efficace, il faut que le détergent soit frais. Remiser le détergent dans un endroit frais et sec. Une vaisselle très sale et/ou une eau dure nécessitent généralement un supplément de détergent.

La pression d'eau du domicile est-elle suffisamment élevée pour un remplissage convenable du lave-vaisselle? La pression d'eau du domicile devrait être de 20 à 120 lb/po² (138 à 828 kPa). Si vous avez des questions au sujet de la pression de votre eau, appeler un plombier qualifié agréé.

REMARQUE : Pour éliminer les taches et films sur la vaisselle, essayer un rinçage avec de l'eau vinaigrée. Cette méthode ne devrait être utilisée qu'occasionnellement. Le vinaigre est un acide et son utilisation trop fréquente pourrait endommager le lave-vaisselle.

1. Laver et rincer la vaisselle. Utiliser le séchage à l'air ou une option de séchage économique. Enlever tous les couverts ou articles métalliques.
2. Ajouter 2 tasses (500 mL) de vinaigre blanc dans une tasse à mesurer en verre ou lavable au lave-vaisselle dans le panier inférieur.
3. Faire exécuter au lave-vaisselle un programme de lavage complet et un séchage à l'air. Ne pas utiliser de détergent. Le vinaigre se mélangera à l'eau de lavage.

■ Film de silice ou attaque (le film de silice est un dépôt blanc irisé; l'attaque produit l'apparence d'un film translucide)

Il y a parfois une réaction chimique de l'eau avec certains types de verres. Ceci est habituellement imputable à certaines combinaisons d'eau douce ou adoucie, solution de lavage alcaline, rinçage insuffisant, chargement excessif du lave-vaisselle, et la chaleur de séchage. Il peut être nécessaire de laver manuellement ces articles pour éliminer complètement le problème.

Pour ralentir ce processus, utiliser la quantité minimale de détergent par charge. Consulter la section "Détergent". Utiliser un agent de rinçage liquide, et ne pas trop charger le lave-vaisselle pour permettre un rinçage à fond. Il n'est pas possible d'éliminer le film de silice ou l'effet de l'attaque chimique qui demeurent en permanence. Ne pas utiliser un séchage avec chaleur.

■ Taches blanches sur les ustensiles de cuisson à revêtement anti-adhésif

Le détergent du lave-vaisselle a-t-il éliminé la patine? Générer une nouvelle patine après le lavage au lave-vaisselle.

■ Taches marron sur la vaisselle et les surfaces internes du lave-vaisselle

L'eau comporte-t-elle une concentration de fer élevée? Laver de nouveau la vaisselle après avoir versé 1 à 3 c. à thé (5-15 mL) de cristaux d'acide citrique dans la section fermée du distributeur de détergent. Ne pas utiliser de détergent. Exécuter ensuite un programme de lavage Normal avec

détergent. Si ce traitement est nécessaire plus fréquemment qu'à intervalles de deux mois, on recommande l'installation d'un dispositif d'élimination du fer.

■ **Marques noires ou grises sur la vaisselle**

Des articles d'aluminium frottent-ils contre la vaisselle durant le lavage? Les articles d'aluminium jetables peuvent se briser dans le lave-vaisselle et causer des marques. Laver ces articles à la main. Pour éliminer les marques d'aluminium, employer un produit de nettoyage moyennement abrasif.

■ **Taches orange sur les articles de plastique ou les surfaces internes du lave-vaisselle**

Place-t-on dans le lave-vaisselle de la vaisselle sur laquelle il y a une quantité considérable de résidus alimentaires à base de tomates? Les taches peuvent se dissiper graduellement à la longue. L'utilisation fréquente du séchage avec chaleur peut ralentir le processus de dissipation des taches. Les taches n'affectent pas la performance du lave-vaisselle. Pour réduire le risque de formation de taches, utiliser régulièrement un programme de rinçage et un séchage à l'air ou une option de séchage économique.

Vaisselle pas complètement sèche

■ **La vaisselle n'est pas sèche**

Pour obtenir un séchage correct, utiliser un agent de rinçage avec l'option Séchage avec chaleur.

Le lave-vaisselle a-t-il été chargé de manière à permettre un drainage adéquat de l'eau? Ne pas charger excessivement. Voir la section "Chargement". Utiliser un agent de rinçage liquide pour accélérer le séchage.

Les articles de plastique sont-ils humides? Il est souvent nécessaire de sécher les articles de plastique avec une serviette.

Le distributeur d'agent de rinçage est-il vide? Voir la section "Agent de rinçage".

A-t-on utilisé un séchage à l'air? Utiliser une option de séchage avec chaleur pour une vaisselle plus sèche.

Vaisselle endommagée au cours d'un programme

■ **Écaillage de la vaisselle**

A-t-on chargé le lave-vaisselle correctement? Charger la vaisselle et les verres de manière à ce qu'ils soient stables et qu'ils ne s'entrechoquent pas lors du lavage. Minimiser l'écaillage en déplaçant lentement les paniers.

REMARQUE : Les antiquités, le cristal très mince et certains types de porcelaine et de verre peuvent être trop délicats pour le lavage automatique. Laver à la main.

Bruits

■ **Émission de bruits de broyage ou de bourdonnement**

Un objet dur a pénétré dans le module de lavage (sur certains modèles). Le bruit devrait cesser après le broyage de l'objet. Si le bruit persiste après un programme complet, faire un appel de service.

L'extérieur du lave-vaisselle est sale ou marqué

■ **Marques, taches ou résidus sur l'extérieur du lave-vaisselle**

Avez-vous nettoyé le lave-vaisselle avec un détergent doux et un chiffon ou avez-vous utilisé un nettoyant pour acier inoxydable sur les modèles à extérieur en acier inoxydable? Dans la plupart des cas, il suffit d'utiliser un linge doux, humide ou une éponge et un détergent doux pour nettoyer les surfaces extérieures du lave-vaisselle et préserver son aspect de produit neuf. Si l'extérieur de votre lave-vaisselle est en acier inoxydable, un nettoyant pour acier inoxydable est recommandé.

Get it fixed, at your home or ours!

Your Home

For expert troubleshooting and home solutions advice:

manage my home

www.managemyhome.com

For repair – **in your home** – of **all** major brand appliances, lawn and garden equipment, or heating and cooling systems, **no matter who made it, no matter who sold it!**

For the replacement parts, accessories and owner's manuals that you need to do-it-yourself.

For Sears professional installation of home appliances and items like garage door openers and water heaters.

1-800-4-MY-HOME[®] (1-800-469-4663)

Call anytime, day or night (U.S.A. and Canada)

www.sears.com www.sears.ca

Our Home

For repair of carry-in items like vacuums, lawn equipment, and electronics, call anytime for the location of your nearest

Sears Parts & Repair Service Center

1-800-488-1222 (U.S.A.) **1-800-469-4663** (Canada)

www.sears.com www.sears.ca

To purchase a protection agreement on a product serviced by Sears:

1-800-827-6655 (U.S.A.) **1-800-361-6665** (Canada)

Para pedir servicio de reparación a domicilio, y para ordenar piezas:

1-888-SU-HOGAR[®]

(1-888-784-6427)

Au Canada pour service en français:

1-800-LE-FOYER^{MC}

(1-800-533-6937)

www.sears.ca

Sears