

GE Monogram®

Installation

Instructions

36" Vent Hood

Model

ZV750



Before you begin—Read these instructions completely and carefully.

IMPORTANT: Save these instructions for local inspector’s use.

IMPORTANT: OBSERVE ALL GOVERNING CODES AND ORDINANCES.

NOTE TO INSTALLER: Be sure to leave these instructions with the Consumer.

NOTE TO CONSUMER: Keep these instructions with your Owner’s Manual for future reference.

⚠ WARNING This appliance must be properly grounded. See “Electrical Supply”, page 4.

If you have questions concerning the installation of this product, call the GE Answer Center® Consumer Information Service at 800.626.2000, 24 hours a day, 7 days a week.

If you received a damaged vent hood, you should contact your dealer.

CAUTION!

Due to the weight and size of these vent hoods and to reduce the risk of personal injury or damage to the product, **TWO PEOPLE ARE REQUIRED FOR PROPER INSTALLATION.**

WARNING!

To reduce the risk of fire or electric shock, do not use this range hood with any external solid-state speed control device. Any such alteration from original factory wiring could result in damage to the unit and/or create an electrical safety hazard.

To reduce the risk of fire and to properly exhaust air, be sure to duct air outdoors. Do not vent exhaust air into spaces within walls or ceilings or into attics, crawl spaces or garages.

WARNING: TO REDUCE THE RISK OF FIRE, USE ONLY METAL DUCTWORK.

TO REDUCE THE RISK OF FIRE, ELECTRIC SHOCK OR INJURY TO PERSONS,

OBSERVE THE FOLLOWING:

A. Use this unit only in the manner intended by the manufacturer. If you have any questions, contact the manufacturer.

B. Before servicing or cleaning unit, switch power off at service panel and lock service panel to prevent power from being switched on accidentally. If the service panel cannot be locked, fasten a tag or prominent warning label to the panel.

For general ventilating use only. Do not use to exhaust hazardous or explosive materials and vapors.

Installation work and electrical wiring must be done by qualified person(s) in accordance with all applicable codes and standards including fire-rated construction.

Sufficient air is needed for proper combustion and exhausting of gases through the flue (chimney) of fuel burning equipment to prevent back drafting. Follow the heating equipment manufacturer’s guidelines and safety standards such as those published by the National Fire Protection Association (NFPA), and the American Society for Heating, Refrigeration and Air Conditioning Engineers (ASHRAE), and the local code authorities.

Contents

Design Information	
Model Available	3
Optional Accessories	3
Product Dimensions & Clearances	3
Advance Planning	4
Electrical Supply	4
Installation Preparation	
Duct Fittings	5
Tools and Materials Required	6
Step 1: Remove the Packaging	6
Installation	
Step 2: Check Installation Hardware	7
Step 3: Ductwork, Wiring, Hood Attachment Locations	7
Step 4: Install Mounting Brackets	8
Step 5: Install the Hood	8
Step 6: Install Duct Bracket	9
Step 7: Connect Ductwork	10
Step 8: Connect Electrical	10
Step 9: Install Decorative Duct Cover and Utility Bars	10
Step 10: Install Filters	11
Step 11: Finalize Installation	11

Design Information

36" Vent Hood

Model Available

Model
ZV750

This vent hood is designed to be used in vented installations.

A decorative duct cover is provided to cover the duct from the top of the hood to an 8 ft. or 9 ft. ceiling.

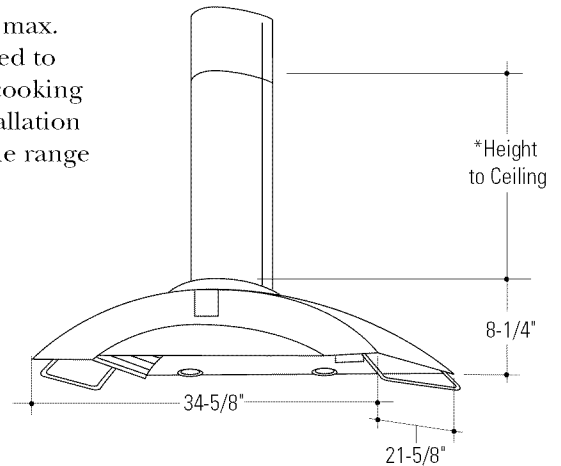
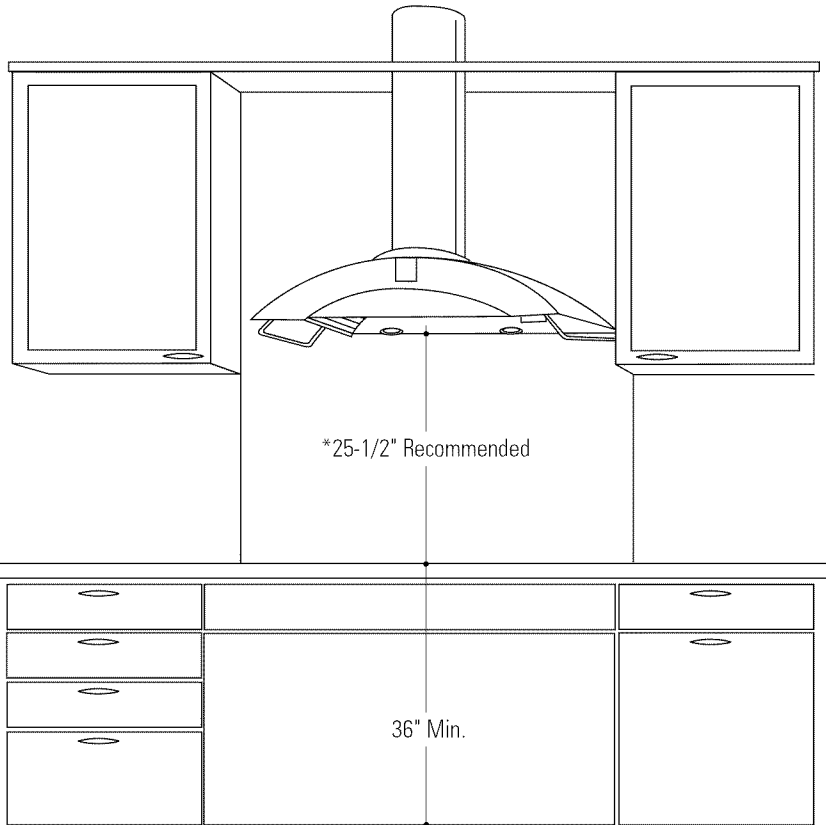
Optional Accessories

Model
ZX10SY

An optional stainless steel duct cover is available for 9 ft. to 10 ft. ceiling installations. (The supplied duct cover is sized to reach 8 ft. to 9 ft. ceilings.) Order the optional duct cover at the same time as the vent hood and have on site before installation.

Product Dimensions & Clearances

The vent hood must be installed 24" min. and 30" max. above the cooking surface. 25-1/2" is recommended to insure that the duct cover meets the ceiling. The cooking surface should be at least 36" above the floor. Installation will be easier if the vent hood is installed before the range or cooktop and countertop is installed.



*26-1/4" for 8 ft. ceiling
38-1/4" for 9 ft. ceiling

38-1/4" to 50-1/4" for 9 ft. to 10 ft. ceiling using optional accessory ZX10SY Duct Cover

Recirculating Operation

This hood may be installed for recirculating operation. One of the following kits is required and must be ordered with the hood.
ZXR758 – For up to 9 ft. ceiling height.
ZXR7510 – For up to 10 ft. ceiling height.
Both the hood and accessory must be on site at the time of installation. Follow the installation instructions packed with the accessory to complete the installation.

*The distance between the cooking surface and the bottom of the hood must be at least 24" and up to 30". The 25-1/2" recommended installation height, above the standard 36" countertop, will insure duct cover fit to the ceiling.

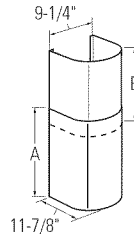
Advance Planning

Using Duct Cover Accessories

- A duct cover accessory may be required for your hood installation height. Refer to this chart to determine the need for the ZX10SY accessory.

ZV750SY Duct Cover Dimensions

Hood and Accessory	A	B
ZX750SY	18-7/8"	22-13/16"
ZX10SY	-	34-1/4"



Ductwork

- Determine the exact location of the vent hood.
- Plan the route for venting exhaust to the outdoors.
- Use the shortest and straightest duct route possible. For satisfactory performance, duct run should not exceed 100 feet equivalent length for any duct configurations.
- Refer to "Duct Fittings" chart to compute the maximum permissible length for duct runs to the outdoors.
- Install a wall cap with damper or roof cap at the exterior opening.

ZV750SY Installation Heights

Actual Ceiling Height	* Possible Hood Installation Height	Duct Cover
7' 11"	24-1/2"	SUPPLIED
8' 0"	25-1/2"	
8' 1"	25-1/2" to 26-1/2"	
8' 2"	25-1/2" to 27-1/2"	
8' 3"	25-1/2" to 28-1/2"	
8' 4"	25-1/2" to 29-1/2"	
8' 5"	25-1/2" to 30"	
8' 6"	25-1/2" to 30"	
8' 7"	25-1/2" to 30"	
8' 8"	25-1/2" to 30"	
8' 9"	25-1/2" to 30"	
8' 10"	25-1/2" to 30"	
8' 11"	25-1/2" to 30"	
9' 0"	25-1/2" to 30"	
9' 1"	25-1/2" to 30"	ACCESSORY ZX10SY
9' 2"	25-1/2" to 30"	
9' 3"	25-1/2" to 30"	
9' 4"	25-1/2" to 30"	
9' 5"	25-1/2" to 30"	
9' 6"	25-1/2" to 30"	
9' 7"	25-1/2" to 30"	
9' 8"	25-1/2" to 30"	
9' 9"	25-1/2" to 30"	
9' 10"	25-1/2" to 30"	
9' 11"	25-1/2" to 30"	
10' 0"	25-1/2" to 30"	

* Based on 36" countertop height.

Electrical Supply



Warning, for Personal Safety:
Remove house fuse or open circuit breaker before beginning installation.

Do not use an extension cord or adapter plug with this appliance. Follow National Electrical Code or prevailing local codes and ordinances.

Electrical supply

This vent hood must be supplied with 120V, 60Hz., and connected to an individual, properly grounded branch circuit, protected by a 15 or 20 ampere circuit breaker or time delay fuse.

- Wiring must be 2 wire with ground.
- If the electrical supply does not meet the above requirements, call a licensed electrician before proceeding.
- Route wiring as close to the installation location as possible, in the ceiling or soffit.

- Connect the wiring to the house wiring in accordance with local codes.

Grounding Instruction

The grounding conductor must be connected to a ground metal, permanent wiring system, or an equipment-grounding terminal or lead on the hood.



Warning: The improper connection of the equipment-grounding conductor can result in a risk of electric shock. Check with a qualified electrician or service representative if you are in doubt whether the appliance is properly grounded.

Installation Preparation

36" Vent Hood

Duct fittings

Use this chart to compute maximum permissible lengths for duct runs to outdoors.

This Hood Must Use 6" Round Duct It Can Transition to 3-1/4" x 10" or 3-1/4" x 12" Duct

Note: Do not exceed maximum permissible equivalent lengths!

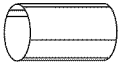
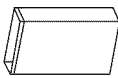
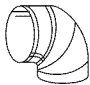
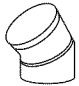
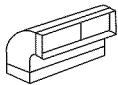
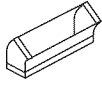
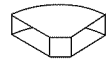
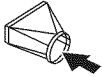

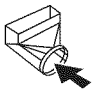
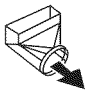
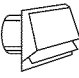
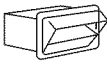
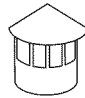
Maximum duct length: 100 foot for range hoods.

Flexible ducting:

If flexible metal ducting is used, all the equivalent feet values in the table should be doubled. The flexible metal duct should be straight and smooth and extended as much as possible.

Do NOT use flexible plastic ducting.

Note: Any home ventilation system, such as a ventilation hood, may interrupt the proper flow of combustion air and exhaust required by fireplaces, gas furnaces, gas water heaters and other naturally vented systems. To minimize the chance of interruption of such naturally vented systems, follow the heating equipment manufacturer's guidelines and safety standards such as those published by NFPA and ASHRAE.

Duct Piece	Dimensions	Equivalent Length*	Quantity Used	Total Equivalent Length
	Round, straight	1 ft. (per foot length)		
	3-1/4" x 10" straight	1 ft. (per foot length)		
	90° elbow	12 ft.		
	45° elbow	7 ft.		
	3-1/4" x 10" 90° elbow	14 ft.		
	3-1/4" x 12" 90° elbow	10 ft.		
	3-1/4" x 10" 45° elbow	8 ft.		
	3-1/4" x 12" 45° elbow	6 ft.		
	3-1/4" x 10" 90° flat elbow	33 ft.		
	3-1/4" x 12" 90° flat elbow	24 ft.		
	6" round to rectangular	2 ft.		
	Rectangular to 6" round	2 ft.		
	3-1/4" x 10" 6" round to rectangular transition 90° elbow	4 ft.		
	3-1/4" x 12" 6" round to rectangular transition 90° elbow	4 ft.		
	3-1/4" x 10" Rectangular to 6" round transition 90° elbow	4 ft.		
	3-1/4" x 12" Rectangular to 6" round transition 90° elbow	4 ft.		
	Round wall cap with damper	24 ft.		
	3-1/4" x 10" Rectangular wall cap with damper	24 ft.		
	3-1/4" x 12" Rectangular wall cap with damper	18 ft.		
	Round roof cap	33 ft.		

*Actual length of straight duct plus duct fitting equivalent. Equivalent length of duct pieces are based on actual tests conducted by GE Evaluation Engineering and reflect requirements for good venting performance with any ventilation hood.

Total Duct Run _____

Installation Preparation

36" Vent Hood

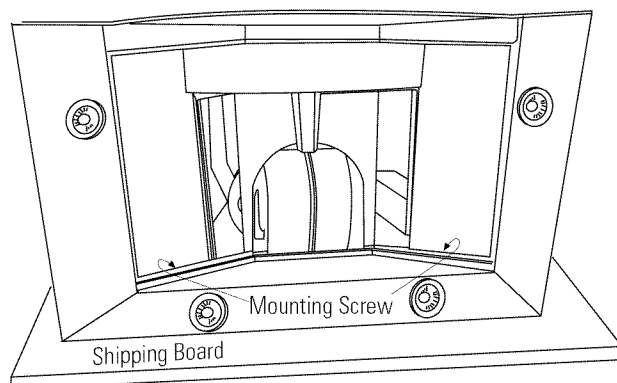
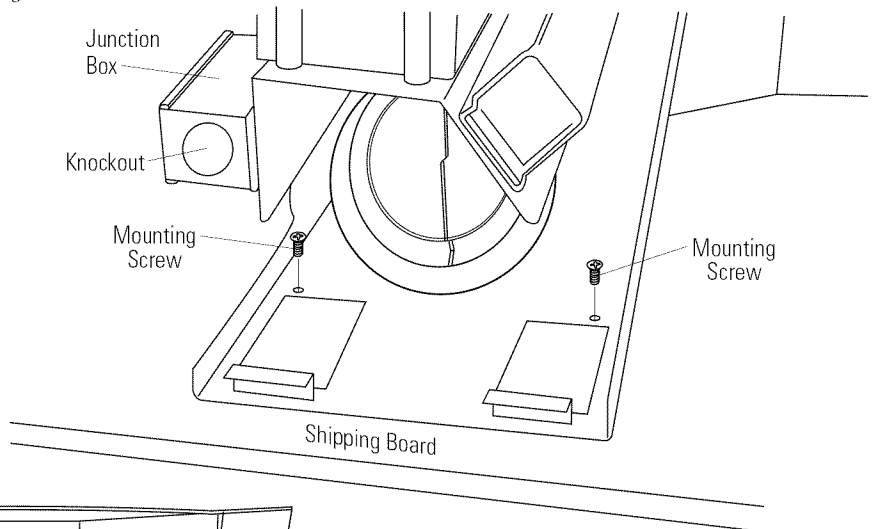
Tools & Materials Required (not supplied)

- Tape measure
- Knife
- Spirit level
- Wire cutter
- Wire stripper
- Wire nuts
- Electric drill and appropriate bits
- Phillips screwdriver
- Flat blade screwdriver
- Hammer
- Pliers
- Safety glasses
- Tape to mount template
- Gloves to protect against sharp edges
- 120V 60Hz. 15 or 20 Amp, 2 wire with ground. Properly grounded branch circuit.
- Strain relief for junction box.
- 6" round metal duct work.

Step 1 Remove the Packaging

The vent hood is shipped secured to a shipping board with 4 screws.

- Remove the duct cover, parts box and styrofoam packaging.
- Lift the hood out of the box, using hand grips on both sides of the shipping board.
- Remove and properly discard the plastic wrapping.
- Locate and remove 2 screws at the top of the assembly and 2 screws inside the hood behind the filter guides on the left and right sides. Discard the shipping board.
- Remove junction box cover.
- Remove knockout from junction box.
- Install strain relief onto junction box.

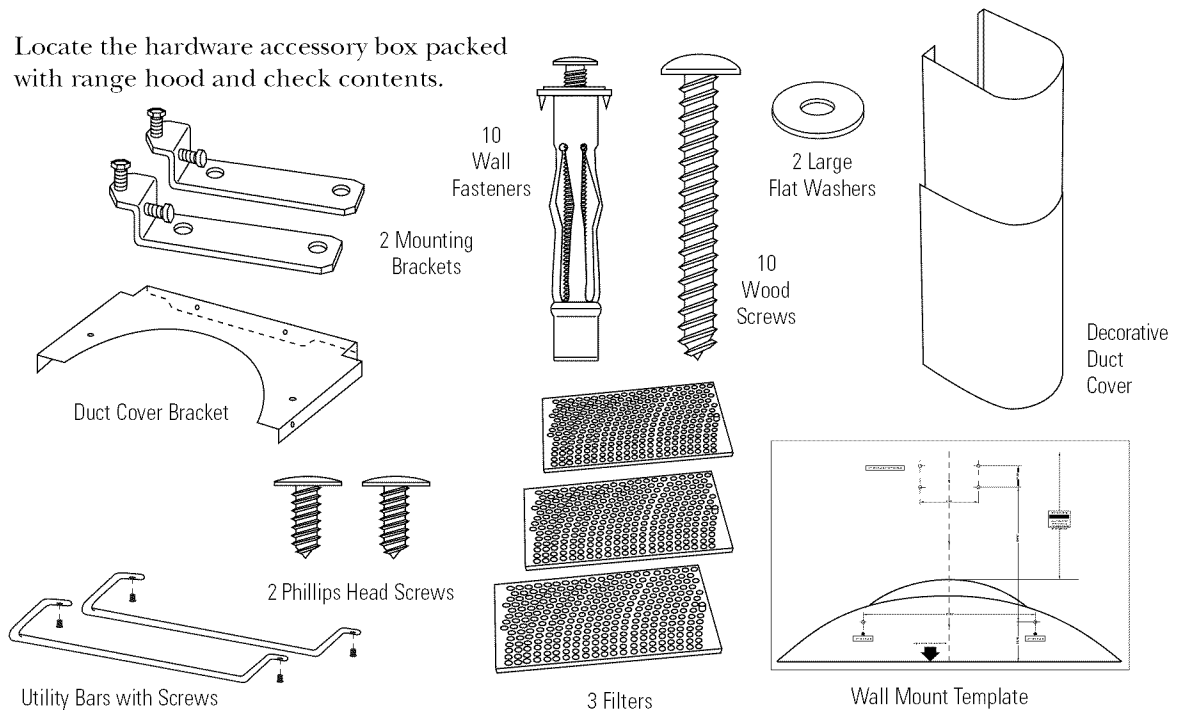


Installation

36" Vent Hood

Step 2 Check Installation Hardware

Locate the hardware accessory box packed with range hood and check contents.



Step 3 Ductwork, Wiring, Hood Attachment Locations

To determine ductwork locations:

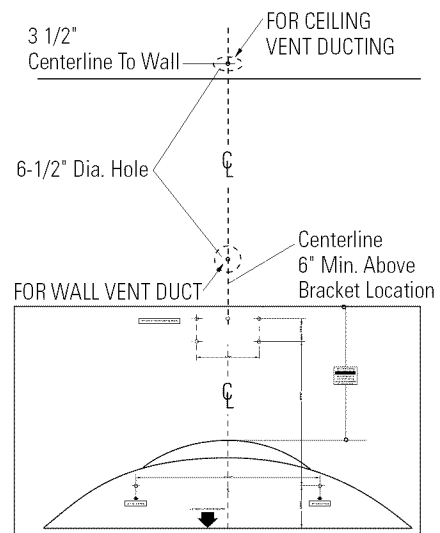
- Locate the template packed with the literature.
- Determine the exact installation location.
 - Measure 36" from the floor to the top of the cooking surface. Add 25-1/2" recommended space from the cooking surface to bottom of hood. Mark that location.
 - Use a level to draw a straight pencil line on the wall.
 - Tape the template in position along the penciled line. **CHECK TO BE SURE TEMPLATE IS LEVEL.**
- Measure from the peak of the hood to the ceiling as indicated. The dimension should be:
 - 26-1/4" to 38-1/4" for 8 ft. to 9 ft. ceilings.
 - 38-1/4" to 50-1/4" for 9 ft. to 10 ft. ceilings (This installation requires ZX10SY accessory duct cover.)

CEILING DUCTING

If ductwork will vent straight up to the ceiling:

- Use a level to draw a line straight up, from the centerline on the template to the ceiling.
- Measure 3-1/2" from the back wall to the centerline of a 6-1/2" dia. hole on the ceiling.

Note: If drywall is not present, add drywall thickness to the 3-1/2" dimension.



WALL DUCTING

If ductwork will vent to the rear:

- Use the level to draw a line straight up from the centerline on the template.
- Measure at least 6" above the bracket location shown on the template to the centerline of the 6-1/2" dia. duct hole. (Hole may need to be elongated for duct elbow.)

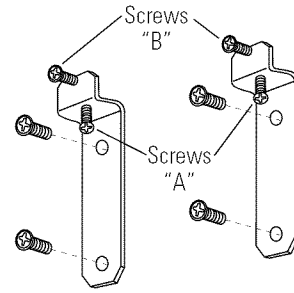
HOUSE WIRING LOCATION:

- The junction box is located on the top of the hood, at the front right side.
- Route house wiring as close to the installation location as possible, through the ceiling, soffit or back wall. Wiring should enter at least 4" above the bracket on the right side.

Step **4**
*Install
 Mounting
 Brackets*

Whenever possible, the vent hood should be secured to wall studs.

- With the template taped in place, use a punch to mark all mounting screw locations.
- Drill 1/8" pilot holes at the 6 punched locations.
- Remove the template.
- Enlarge holes that did not enter studs to 3/8" and tap anchors for wall fasteners into the holes.
 - Drive screws into the fasteners to allow anchors to expand against the wall material. Remove the screws for final installation.
- Secure the mounting brackets to the wall studs with wood screws provided.
 - For hollow walls, secure the mounting brackets through the anchors.

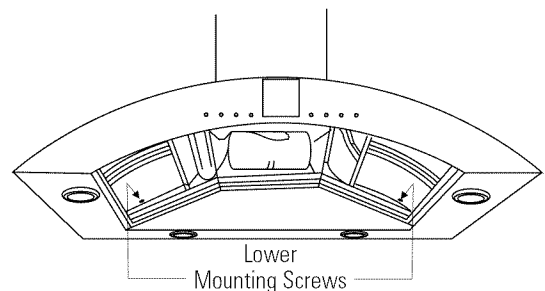
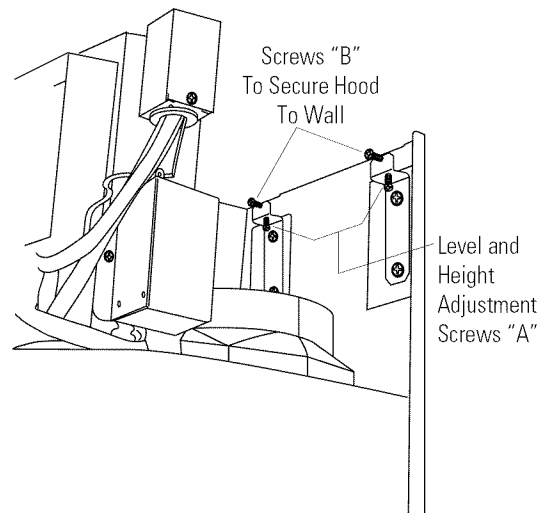


Note: Screws "A" and "B" are pre-assembled onto the brackets. Do not remove these screws.

Step **5**
*Install
 the Hood*

Place the hood on the brackets and slide left to right to align with rectangular slots at the top.

- Adjust the installation height by tightening or loosening the screws "A" at the bottom of the brackets.
- Align the hood lower mounting holes with pilot holes in the wall.
- Using two large flat washers (supplied), install wood screws or wall fastener screws, loosely, into lower mounting holes. Do not tighten.
- Level the hood by tightening or loosening the screws "A" located on the bottom mounting brackets.
- Tighten the lower mounting screws.
- Tighten screws "B" located at the top of the mounting bracket against the hood to clamp the position. **Do not overtighten screws.**



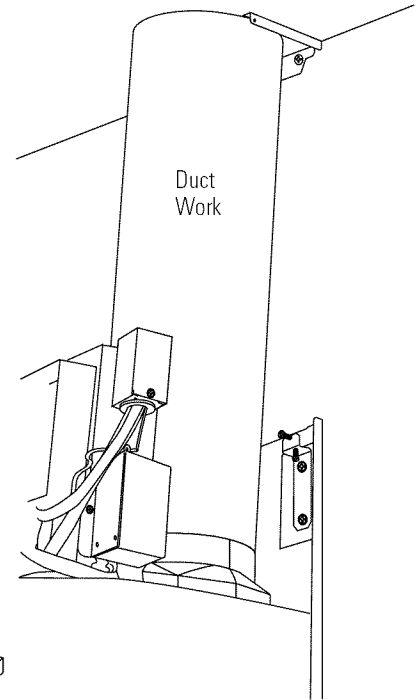
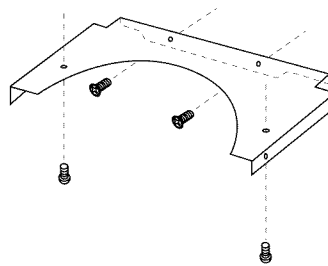
Step 6

Install Duct Bracket

(for vertical exhaust)

**GO TO STEP 6A
IF YOU ARE
VENTING TO
THE REAR**

- Install the 2 small screws into the sides of the duct bracket. Remove the screws. This will insure ease of final installation.
- Temporarily install a piece of 6" duct cut to length between the hood outlet and the ductwork at the ceiling.
- Position the upper duct bracket behind the duct and against the wall and ceiling.
- Use a level to check that duct is vertical and duct bracket is centered.
- Mark the 4 screw locations of the bracket.
- Remove the bracket and temporary duct section.
- Drill 1/8" pilot holes in marked bracket location.
- If pilot holes do not enter studs, enlarge the holes 3/8" and install wall fastener anchors. Drive screws into the fasteners to allow anchors to expand against the wall material. Remove the screws.
- Secure the bracket to the ceiling and wall with wood screws and/or wall fastener screws.



Step 6A

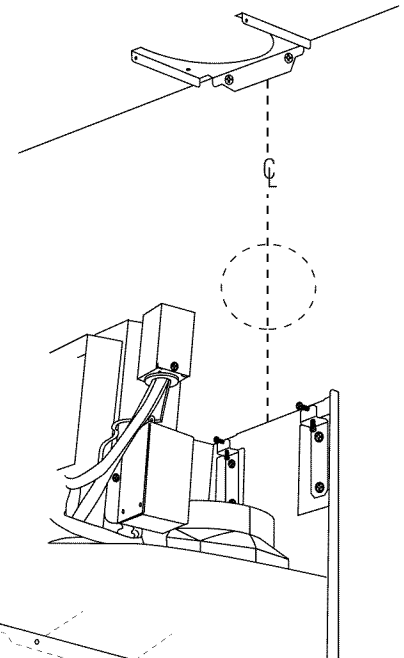
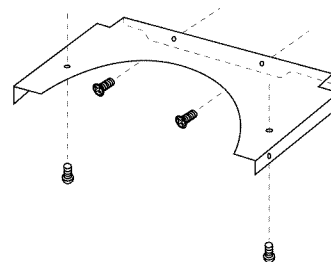
Install Duct Bracket

(for horizontal exhaust)

**SKIP THIS
STEP IF
YOU ARE
VENTING
VERTICALLY
(Straight-Up)**

The upper duct bracket should be installed against the ceiling. This bracket will hold the decorative duct cover in place at the top.

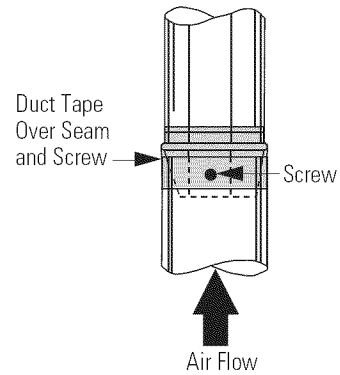
- Install the 2 small screws into the sides of the duct bracket. Remove the screws. This will insure ease of final installation.
- Position the bracket against the wall and ceiling. Center the bracket using marked centerline of the hood.
- Use a pencil to mark the bracket location along its outside edges.
- Temporarily place the decorative duct cover on top of the hood and extend the inner portion to meet the ceiling.
- The duct cover should be level and align with marks for bracket.
- Remove the duct cover.
- Place bracket against marked location and mark the 4 screw locations.
- Drill 1/8" pilot holes in marked location.
- If pilot holes do not enter studs, enlarge the holes 3/8" and install wall fastener anchors. Drive screws into the fasteners to allow anchors to expand against the wall material. Remove the screws.
- Secure the bracket to the ceiling and wall with wood screws and/or wall fastener screws.



Step **7**
Connect
Ductwork

CAUTION Do not use sheet metal screws at hood flange connection. Doing so will prevent proper damper operation. Seal connection with tape only.

- Install ductwork, making connections in direction of airflow as illustrated.
- Secure joints in ductwork with sheetmetal screws.
- Wrap all duct joints with duct tape for airtight seal.



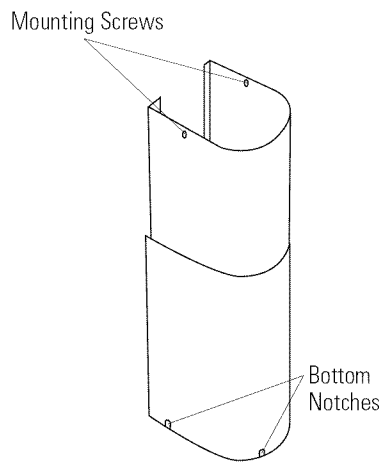
Step **8**
Connect
Electrical

Verify that power is turned off at the source.

WARNING If house wiring is not 2-wire with a ground wire, a ground must be provided by the installer. When house wiring is aluminum, be sure to use U.L. approved anti-oxidant compound and aluminum-to-copper connectors.

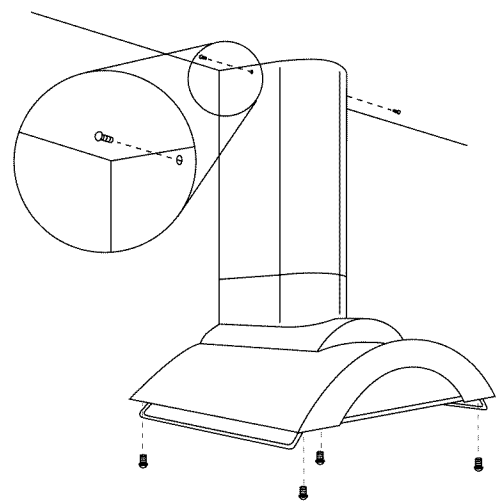
- Insert house wiring through strain relief and tighten.
- Connect white leads to branch circuit white lead.
- Connect black leads to branch circuit black lead.
- Connect green/yellow leads to branch circuit green or bare ground lead.
- Secure all connections with wire nuts on each electrical connector.
- Push wires into junction box and replace cover. Be sure wires are not pinched.

Step **9**
Install
Decorative
Duct Cover
and
Utility
Bars



Place the decorative duct cover on top of the hood.

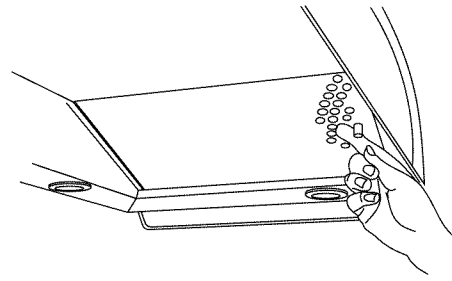
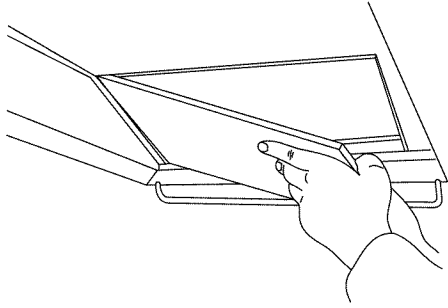
- Insert the lower portion of the duct cover into the impression on the top of the hood.
- Extend the inner duct upwards to meet the ceiling and bracket.
- Secure the duct cover to the bracket with the 2 small Phillips screws provided.
- Install the side utility bars as shown with screws provided.



Install Optional ZX10SY Duct Cover

- Separate the supplied duct cover into pieces. Discard the upper (or inner) section.
- Insert the new ZX10SY duct cover into the original lower section. Be sure that the new longer section is **inside** the shorter original section. The notches will be at the bottom and the screw holes at the top as illustrated.
- Follow the same procedures shown above to install the new duct cover.

Step 10 *Install Filters*



- Remove protective film on filters.
- Tip the filter into the **lower slots** at the rear of the opening, lift the filter and pull the knob forward until the filter rests on the slots.

- To remove the filters, grasp the knob and push the filter towards the rear and tilt downwards.

Step 11 *Finalize Installation*

- Remove protective film covering the control panel on the front face of the hood and any remaining packaging materials.
- Refer to the Owner's Manual for operating instructions.



Monogram.[®]

*GE Consumer & Industrial
GE Appliances
General Electric Company
Louisville, KY 40225
monogram.com
©2007 GE Company*

Note: While performing installations described in this book, safety glasses or goggles should be worn.

*For Monogram local service in your area, call
1.800.444.1845.*

NOTE: Product improvement is a continuing endeavor at General Electric. Therefore, materials, appearance and specifications are subject to change without notice.

Pub. No. 49-8990-2
04/07 JR
Printed in Italy