

INSTALLATION INSTRUCTIONS FOR FREESTANDING DUAL FUEL

INSTALLATION AND SERVICE MUST BE PERFORMED BY A QUALIFIED INSTALLER. IMPORTANT: SAVE FOR LOCAL ELECTRICAL INSPECTOR'S USE. READ AND SAVE THESE INSTRUCTIONS FOR FUTURE REFERENCE.



Refer to your serial plate for applicable agency certifications

Provide Proper Fuel Type

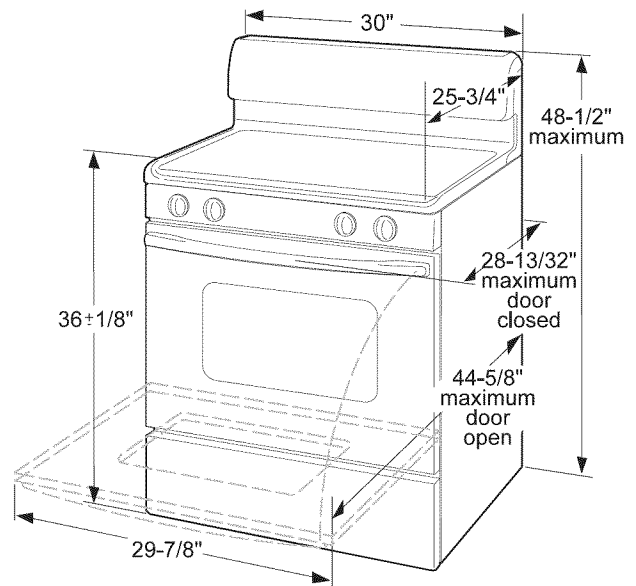
Before Proceeding: Your range is preset to operate on Natural Gas only.

Important Note to the Consumer

- Keep these instructions with your **Use & Care Guide** for future reference.
- As when using any appliance generating heat, there are certain safety precautions you should follow. These are listed in the **Use & Care Guide**, read it carefully.
- Be sure your range is installed and grounded properly by a qualified installer or service technician.
- Make sure the wall coverings around the range can withstand the heat generated by the range.
- To eliminate the need to reach over the surface elements or burners, cabinet storage space directly above the range should be avoided.

Important Notes to the Installer

- Read all instructions contained in these installation instructions before installing range.
- Remove all packing material from the oven compartments before connecting the gas and electrical supply to the range.
- Observe all governing codes and ordinances.
- Be sure to leave these instructions with the consumer.



WARNING

- ALL RANGES CAN TIP
- INJURY TO PERSONS COULD RESULT
- INSTALL ANTI-TIP DEVICE PACKED WITH RANGE
- SEE INSTALLATION INSTRUCTIONS

WARNING If the information in this manual is not followed exactly, a fire or explosion may result causing property damage, personal injury or death.

FOR YOUR SAFETY:

- Do not store or use gasoline or other flammable vapors and liquids in the vicinity of this or any other appliance.
- **WHAT TO DO IF YOU SMELL GAS:**
 - Do not try to light any appliance.
 - Do not touch any electrical switch; do not use any phone in your building.
 - Immediately call your gas supplier from a neighbor's phone. Follow the gas supplier's instructions.
 - If you cannot reach your gas supplier, call the fire department.
- Installation and service must be performed by a qualified installer, service agency or the gas supplier.

Clearances and Dimensions

Location: Check location where the range will be installed. Check for proper electrical and gas supply, and the stability of the floor.

Dimensions that are shown must be used. Given dimensions provide minimum clearance. Contact surface must be solid and level.

p/n 316454918 (0807)

INSTALLATION INSTRUCTIONS FOR FREESTANDING DUAL FUEL

IMPORTANT SAFETY INSTRUCTIONS

Installation of this range must conform with local codes or, in the absence of local codes, with the National Fuel Gas Code ANSI Z223.1 — latest edition when installed in the United States.

When installed in a manufactured (mobile) home, installation must conform with the Manufactured Home Construction and Safety Standard, Title 24 CFR, Part 3280 [formerly the Federal Standard for Mobile Home Construction and Safety, Title 24, HUD (Part 280)] or, when such standard is not applicable, the Standard for Manufactured Home Installations, ANSI/NCSCS A225.1, or with local codes.

Proper Installation— Be sure your appliance is properly installed and grounded by a qualified technician in accordance with the National Fuel Gas Code ANSI Z223- latest edition, or in Canada CAN/CGA B149.1 and CAN/GGA B149.2, and the National Electrical Code ANSI/NFPA No.70-latest edition, or in Canada CSA Standard C22.1, Canadian Electrical Code, Part 1, and local code requirements. Install only per installation instructions provided in the literature package for this range.

This range has been design certified by CSA International. As with any appliance using gas and generating heat, there are certain safety precautions you should follow. You will find them in the Use & Care Guide, read it carefully.

Special instructions for appliances installed in the State of Massachusetts: This appliance can only be installed in the State of Massachusetts by a Massachusetts licensed plumber or gas fitter. When using a flexible gas connector, it must not exceed 3 feet (36 inches) in length. A "T" handle type manual gas valve must be installed in the gas supply line to this appliance.

- **Be sure your range is installed and grounded properly by a qualified installer or service technician.**
- **This range must be electrically grounded in accordance with local codes or, in their absence, with the National Electrical Code ANSI/NFPA No. 70 — latest edition when installed in the United States.** See "Grounding Instructions" on page 7-9 in the Installation Steps.
- **Before installing the range in an area covered with linoleum or any other synthetic floor covering, make sure the floor covering can withstand heat at least 90°F above room temperature without shrinking, warping or discoloring.** Do not install the range over carpeting unless you place an insulating pad or sheet of 1/4-inch thick plywood between the range and carpeting.

- **Make sure the wall coverings around the range can withstand the heat generated by the range.**
- **Do not obstruct the flow of combustion air at the oven vent nor around the base or beneath the lower front panel of the range.** Avoid touching the vent openings or nearby surfaces as they may become hot while the oven is in operation. This range requires fresh air for proper burner combustion.
- **Do not store items of interest to children in the cabinets above the range.** Children could be seriously burned climbing on the range to reach items.
- **To eliminate the need to reach over the surface burners, cabinet storage space above the burners should be avoided.**
- **Adjust surface burner flame size so it does not extend beyond the edge of the cooking utensil.** Excessive flame is hazardous.
- **Do not use the oven as a storage space.** This creates a potentially hazardous situation.
- **Never use your range for warming or heating the room.** Prolonged use of the range without adequate ventilation can be dangerous.
- **Do not store or use gasoline or other flammable vapors and liquids near this or any other appliance.** Explosions or fires could result.
- **Reset all controls to the "off" position after using a programmable timing operation.**

⚠ WARNING DO NOT MAKE ANY ATTEMPT TO OPERATE THE ELECTRIC IGNITION OVEN DURING AN ELECTRICAL POWER FAILURE. RESET ALL OVEN CONTROLS TO "OFF" IN THE EVENT OF A POWER FAILURE.

The electric ignitor will automatically re-ignite the oven burner when power resumes if the oven thermostat control was left in the "ON" position.

When an electrical power failure occurs during use, the surface burners will continue to operate.

During a power outage, the surface burners can be lit with a match. Hold a lighted match to the burner, then slowly turn the knob to the lite position. Use extreme caution when lighting burners this way.

FOR MODELS WITH SELF-CLEAN FEATURE:

- **Remove broiler pan, food and other utensils before self-cleaning the oven.** Wipe up excess spillage. Follow the cleaning instructions in the Use & Care Guide.
- **Unlike the standard gas range, THIS COOKTOP IS NOT REMOVABLE.** Do not attempt to remove the cooktop.

INSTALLATION INSTRUCTIONS FOR FREESTANDING DUAL FUEL

Tools you will need

(Wear safety glasses when using tools):

For leveling legs and Anti-Tip Bracket:

- Adjustable wrench or channel lock pliers (Fig. 5).
- 1/4" & 5/16" Nutdriver or flat head screwdriver (Fig. 6).
- Electric drill & 1/8" dia. bit (5/32" Masonry drill bit if installing in concrete (Fig. 7).
- Level (Fig. 22).

For gas supply connection:

- Pipe wrench (Fig. 8).

For burner flame adjustment:

- Phillips head and small blade-type screwdrivers (Figs. 9 & 10).

For gas conversion (LP/Propane or Natural):

- Open end wrench - 1/2" (Fig. 11).

Additional materials you may need:

- Anti-Tip Template (Fig. 12), Anti-Tip bracket, 2 mounting screws (bracket and screws are supplied with range - Fig. 13) and masking tape (Fig. 14).
- Pipe joint sealant that resists action of LP/Propane gas (Fig. 15).
- Gas line manual shut-off valve (Fig. 16).
- 1/2" NPT 90° black pipe elbow (Fig. 17).
- A new flexible metal appliance conduit (1/2" NPT x 3/4" or 1/2" I.D.) must be design certified by CSA International (Fig. 18). Because solid pipe restricts moving the range we recommend using a new flexible conduit (**48" MAXIMUM LENGTH**) for each new installation and additional reinstalls.
- Always use the (2) new flare adapters (1/2" NPT x 3/4" or 1/2" I.D.) supplied with the new flexible appliance conduit for connection of the range (Fig. 19).
- Power cord (40/50 ampere rated Cord Kit - **48" MAXIMUM LENGTH** - Fig. 20).
- 4 or 3 wire, 40/50 ampere rated wall receptacle and mounting plate (Fig. 21).
- Copper electrical wiring and metal conduit (for hard wiring installation only).

Tools



Fig. 5

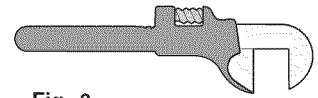


Fig. 8

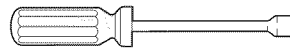


Fig. 6

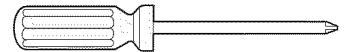


Fig. 9

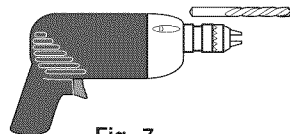


Fig. 7



Fig. 10

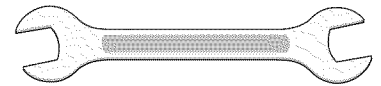


Fig. 11

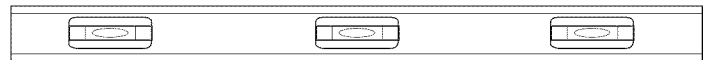


Fig. 22

Materials

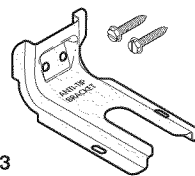


Fig. 13

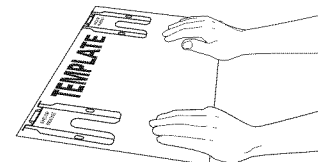


Fig. 12



Fig. 15

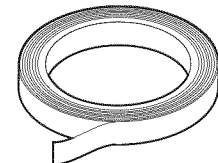


Fig. 14



Fig. 16



Fig. 17

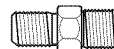


Fig. 19

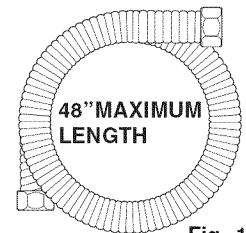


Fig. 18

4 or 3 Wire Cord Kit
48" MAXIMUM LENGTH

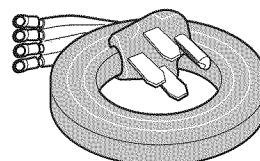


Fig. 20

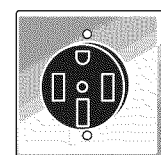


Fig. 21

INSTALLATION INSTRUCTIONS FOR FREESTANDING DUAL FUEL

Cabinet and countertop dimensions

- Check for wall and cabinet clearances where the range will be installed.
- Check the stability of the floor where the range will be installed.
- Check for proper electrical and gas supply.

Note: All dimensions provided are minimal unless otherwise stated.

To eliminate the risk of burns or fire by reaching over heated surface units, cabinet storage space located above the surface units should be avoided. If cabinet storage is to be provided, the risk can be reduced by installing a range hood that projects horizontally a minimum of 5" beyond the bottom of the cabinets.

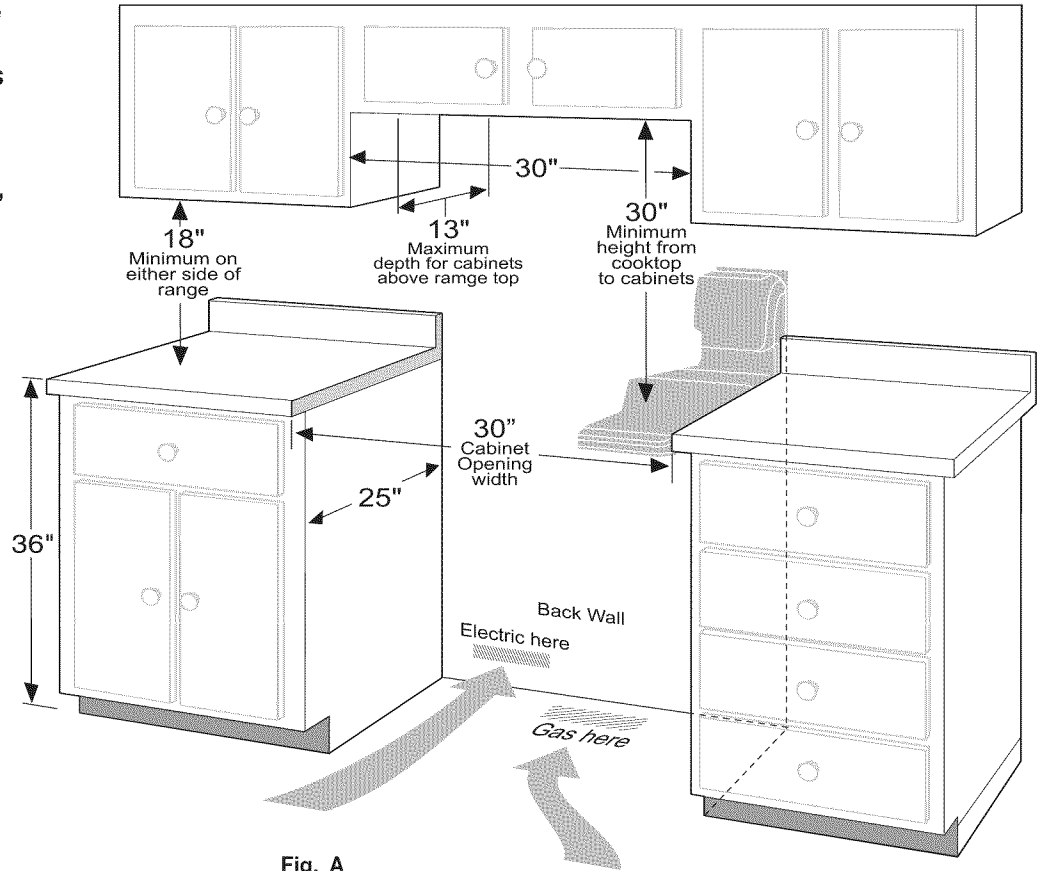
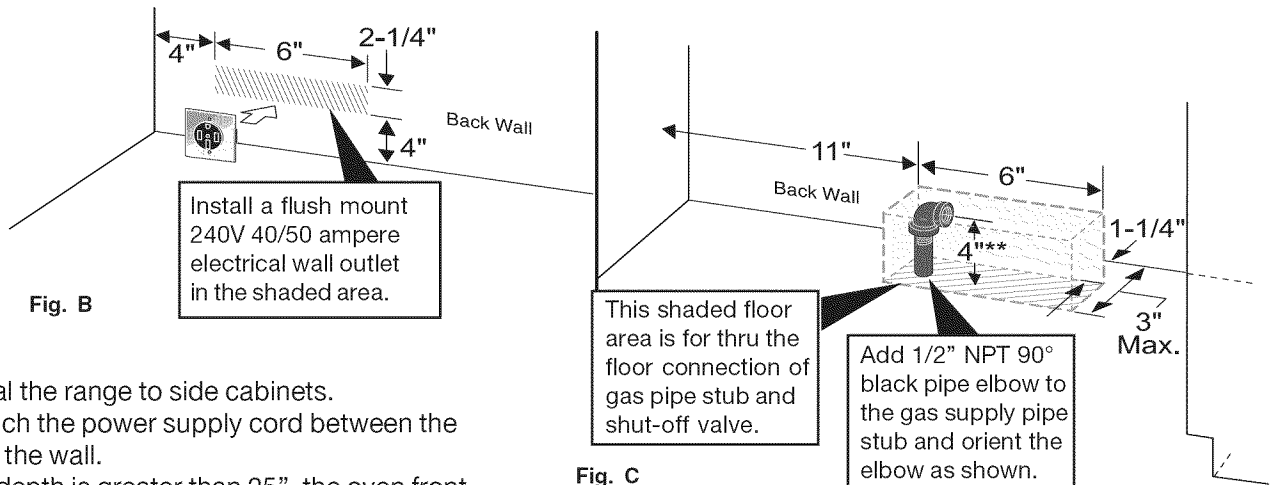


Fig. A



- Do not seal the range to side cabinets.
- Do not pinch the power supply cord between the range and the wall.
- If cabinet depth is greater than 25", the oven front frame must extend beyond cabinet front by 1/2" minimum.

All openings in the wall or floor where the range is to be installed must be sealed.

Fig. C

Note: The gas supply pipe stub and elbow assembly centerline should not exceed 4" height from the floor.

INSTALLATION INSTRUCTIONS FOR FREESTANDING DUAL FUEL

Installation with cabinets and wall

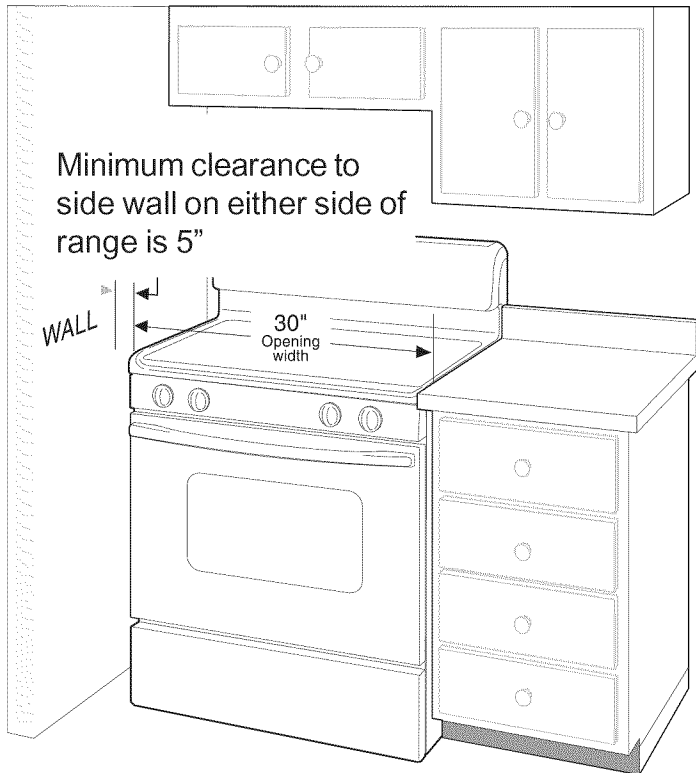


Fig. D

Anti-tip installation

IMPORTANT SAFETY WARNING!

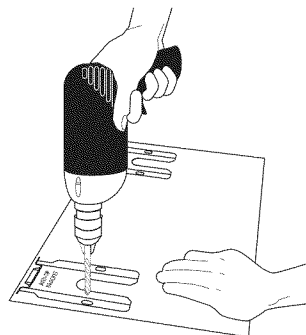
To reduce the risk of tipping of the range, the range must be secured to the floor by properly installed anti-tip bracket and screws packed with the range. Failure to install the anti-tip bracket will allow the range to tip over if excessive weight is placed on an open door or if a child climbs upon it. Serious injury might result from spilled hot liquids or from the range itself.

If range is ever moved to a different location, the anti-tip brackets must also be moved and installed with the range.

Instructions are provided for installation in wood or cement fastened to either the floor or wall. When installed to the wall, make sure that screws completely penetrate dry wall and are secured in wood or metal. When fastening to the floor or wall, be sure that screws do not penetrate electrical wiring or plumbing.

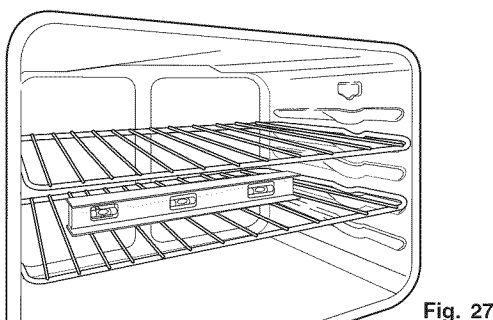
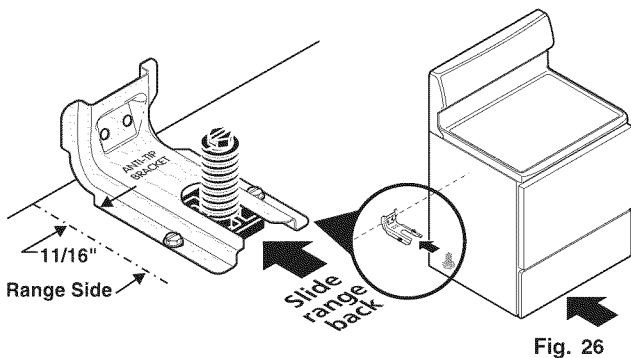
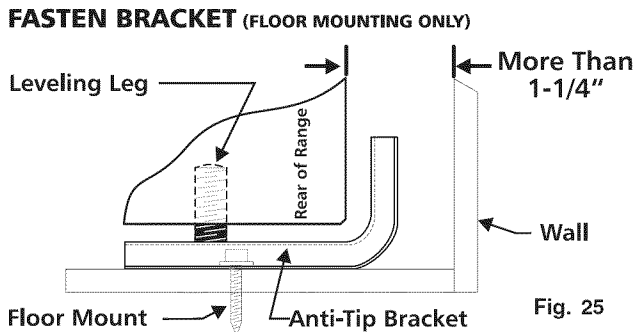
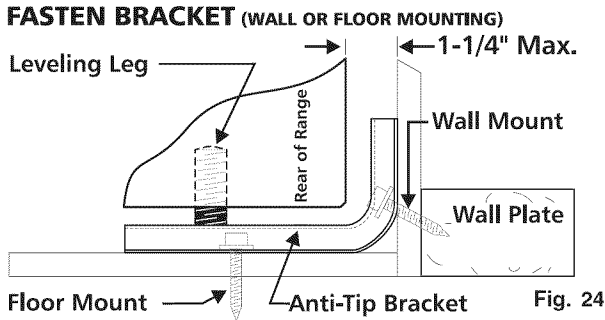
Anti-tip bracket installation instructions

- 1. Locate the Bracket Using the Template** - (Bracket may be positioned on either the left or right side of the range. Refer to Figs. 24 thru 26 to position the bracket if template is not available). Mark the floor or wall where left or right side of the range will be located. If rear of range is against wall or no further than 1-1/4" from wall when installed, you may use the wall or floor mount method. If molding is installed and does not allow the bracket to fit flush against wall, remove molding or mount bracket to floor. For wall mount (Fig. 24), locate the bracket by placing the back edge of the template against rear wall and the side edge of template on the mark made referencing the side of the range. Place bracket on top of template and mark location of the screw holes in wall. If rear of range is further than 1-1/4" from wall when installed, attach bracket to the floor. For floor mount (Figs. 24 or 25), locate the bracket by placing back edge of the template where the rear of the range will be located. Mark the location of the screw holes shown in template.
- 2. Drill Pilot Holes & Fasten Bracket** - Drill 1/8" pilot hole where screws are to be located (Fig. 23). If bracket is to be mounted to the wall, drill pilot hole at an approximate 20° downward angle. If bracket is to be mounted to masonry or ceramic floors, drill 3/16" pilot hole 1-3/4" deep. The screws provided may be used in wood or concrete material. Use 5/16" nut-driver or flat head screwdriver to secure the bracket in place.
- 3. Level & Position Range** - Level range by adjusting the (4) leveling legs with a wrench. Note: A min. clearance of 1/8" is required between bottom of range and leveling legs to allow room for bracket. Slide range back into position (Fig. 26). Remove lower panel or storage drawer to visually check that rear leveling leg is inserted into and fully secured by the bracket. For models with a warmer drawer or broiler compartment, grasp the top rear edge of the range and carefully attempt to tilt it forward. Use a level to check your adjustments (Fig. 27).



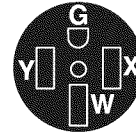
INSTALLATION INSTRUCTIONS FOR FREESTANDING DUAL FUEL

Anti-tip bracket installation instructions



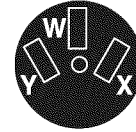
Electrical requirements

3 & 4 - Wire electrical wall Receptacle types & recommended mounting orientation on wall



Required for new and remodeled installations

4-Wire Wall receptacle (14-50R)



Allowed for existing installations

3 Wire Wall receptacle (10-50R)

Fig. 28

Electrical connection requirements

This appliance must be properly installed and grounded by a qualified technician in accordance with the National Electrical Code ANSI/NFPA No. 70 -- latest edition -- and local electrical code requirements.

This appliance may be connected by means of permanent "Hard Wiring" or "Power Supply Cord Kit."

When hard wiring, do not leave excess wire in range compartment. Excess wire in the range compartment may not allow the access cover to be replaced properly, and could create a potential electrical hazard if wires become pinched. Connect only as instructed under "WIRING INSTRUCTIONS" in Step B of the Installation Steps. When using flexible conduit or range cable use flex connector or range cable strain relief (See Fig. 32 on page 7).

NOTE: Only use copper wire in connection to terminal block.

Models Requiring Power Supply Cord Kit

RISK OF FIRE OR ELECTRICAL SHOCK MAY OCCUR IF AN INCORRECT SIZE RANGE CORD KIT IS USED, THE INSTALLATION INSTRUCTIONS ARE NOT FOLLOWED OR STRAIN RELIEF BRACKET IS DISCARDED.

This appliance may be connected by means of a power supply cord. Only a power supply cord kit rated at 125/250 volts minimum, and marked for use with ranges shall be used. See chart (Fig. 29) for cord kit ampere rating information. Cord must have either four (4) or three (3) conductors (See Fig. 28). Terminals on end of wires must be either closed loop or open-end spade lugs with upturned ends. Cord must have strain relief clamp. See Step B in Installation Steps for 4 or 3 - Wire connections.

INSTALLATION INSTRUCTIONS FOR FREESTANDING DUAL FUEL

Range installations steps

A Install the power cord.

The rear access cover must be removed. To remove, loosen center screw (one screw) and remove access cover. The terminal block will then be accessible (See Fig. 30).

Range Connection Opening Size Chart				
Supply Cord Kit ampere rating information. See serial plate on range for kilowatt rating data.				
See Serial Plate on Range for KW Rating		Cord Kit Ampere Rating	Diameter (inches) of Range connection Opening	
120/240 Volts	120/208 Volts		Cord Kit	Permanent Wiring
8.8-16.5 KW 16.6-22.5 KW	7.9-12.5 KW 12.6-18.5 KW	40/50 Amp 50 Amp	1-3/8 in. 1-3/8 in.	1-1/8 in. 1-3/8 in.

Fig. 29

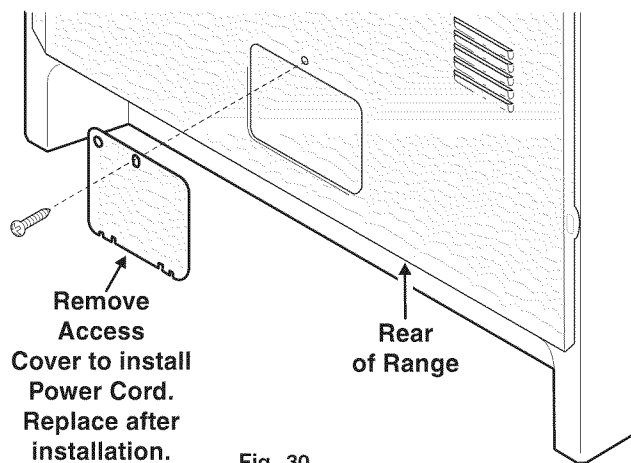


Fig. 30

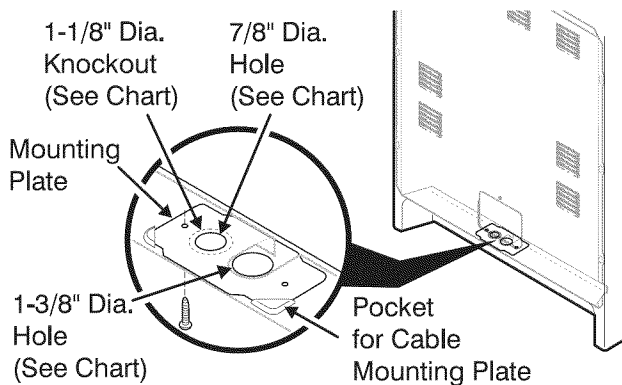


Fig. 31

B Wiring instructions (4-wire connection - See fig. 33)

Before wiring the range review the suggested power source location drawing in Fig. 2. If connecting to a 4-Wire electrical system (new branch-circuit or mobile home requires 4-Wire connection):

Power cord instructions

1. Follow the manufacturer's installation instructions supplied with the strain relief and install (Also see Figs. 29, 30, 31 & 32).
2. Insert the end connectors for Line 1, Line 2 and Neutral and tighten securely to the terminal block.
- IMPORTANT NOTE: DO NOT LOOSEN** the factory installed nut connections which secure the range wiring to the terminal block. Electrical failure or loss of electrical connection may occur if these 3 nuts are loosened or removed.
3. **You must disconnect the ground strap.** Remove the factory installed ground screw & plate to release the copper ground strap from the frame of the appliance. Cut and discard the copper ground strap & plate. **KEEP** the ground screw.
4. Connect the ground wire (Green) lead with the eyelet to the frame of the appliance with the ground screw using the same hole in the frame where the ground screw was originally installed (See Fig. 33).
5. Make sure all screws are tightened securely and replace the rear access cover (See Fig. 30).

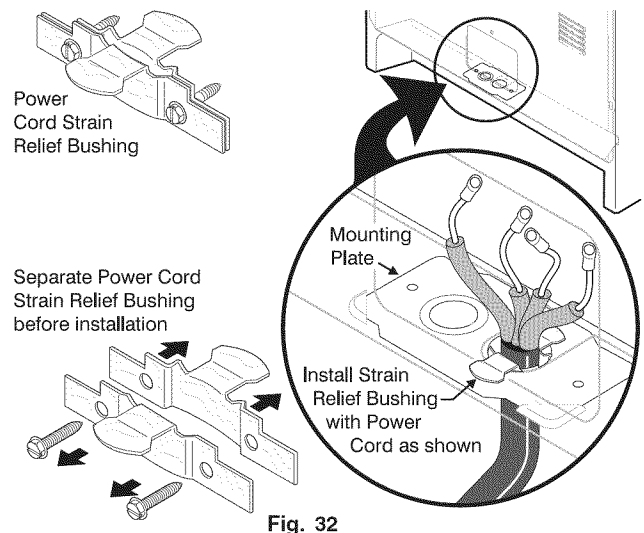


Fig. 32

INSTALLATION INSTRUCTIONS FOR FREESTANDING DUAL FUEL

Range installation instructions

OR **B** 3-Wire connection instructions (for existing installations ONLY) See Fig. 34)

Power Cord Connection

1. Follow the manufacturer's installation instructions supplied with the strain relief and install (Also see Figs. 29, 30 & 31).
2. Insert the end connectors for Line 1, Line 2 and Neutral and tighten securely to the terminal block (See Fig. 34).
IMPORTANT NOTE: DO NOT LOOSEN the factory installed nut connections which secure the range wiring to the terminal block. Electrical failure or loss of electrical connection may occur if these 3 nuts are loosened or removed.
3. Make sure all connections are tightened securely and replace the rear access cover (See Fig. 30).

Grounding instructions (for 3-Wire connections ONLY)

A ground strap is installed on this range which connects the center terminal of the terminal block (neutral) to the range chassis. The ground strap is connected to the range by the center, lowest screw (See Fig. 34). The ground strap must not be removed unless national or local codes do not permit use of ground strap.

NOTE: If the ground strap is removed for any reason, a separate ground wire must be connected to the separate ground screw attached to the range chassis and to an adequate ground source.

For 3 & 4-Wire permanent connections ONLY

3 - Wire permanent connection - follow Steps 1,2 & 5 below.

4 - Wire permanent connection - follow Steps 1 thru 5 below.

Before wiring the range, review the suggested power source location drawings in Fig. A & B. If connecting to a 4-Wire electrical system (new branch-circuit or mobile home requires 4-Wire connection):

1. **(3 & 4 - Wire permanent connections)** Follow the manufacturer's installation instructions supplied with the strain relief and install.

4-Wire Connection

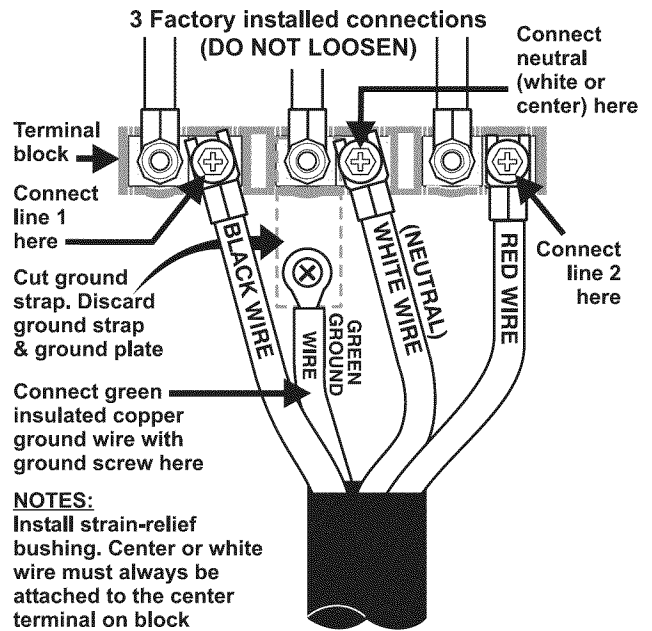


Fig. 33

3-Wire Connection

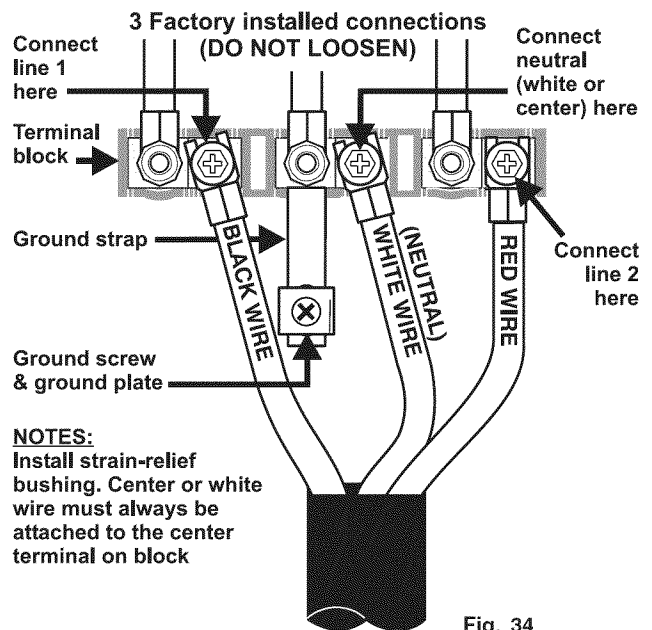


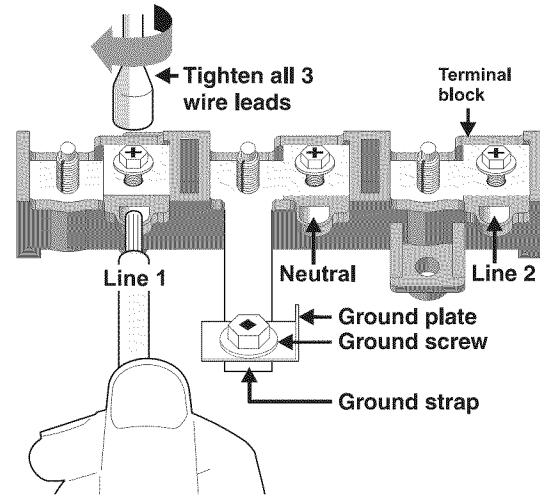
Fig. 34

INSTALLATION INSTRUCTIONS FOR FREESTANDING DUAL FUEL

Range installations steps

2. **(3 & 4 - Wire Permanent Connections)** Strip insulation away from the ends of the permanent wiring for Line 1, Line 2, Neutral (also strip ground wire on 4-Wire Connections). Tighten all 3 wire leads to the terminal block (Follow wire locations shown in Fig. 35). **IMPORTANT NOTE: DO NOT LOOSEN** the factory installed nut connections which secure the range wiring to the terminal block. Electrical failure or loss of electrical connection may occur if these 3 nuts are loosened or removed. **NOTE: For 3-Wire Permanent Connections skip Steps 3 & 4 and continue with Step 5.**
3. **(4-Wire Permanent Connection ONLY)** Disconnect the ground strap. Remove the factory installed ground screw & plate to release the factory installed copper ground strap from frame of the appliance. Cut and discard the copper strap from the terminal block. KEEP the ground screw, ground plate and go to Step 4.
4. **(4-Wire Permanent Connection ONLY)** Connect the ground wire lead (Green) to the frame of the appliance using the ground screw & plate as shown in Fig. 36. Be sure to install using the same hole in the frame where the ground screw was originally installed.
5. **(3 & 4 - Wire Permanent Connections)** Make sure all connections are tightened securely and replace the rear access cover (See Fig. 30).

FOR 3 & 4-Wire Permanent Connections



NOTE: Non-terminated field wire compression connections must be set at approximately 22in./lbs. Always use 10 ga. wire or larger.

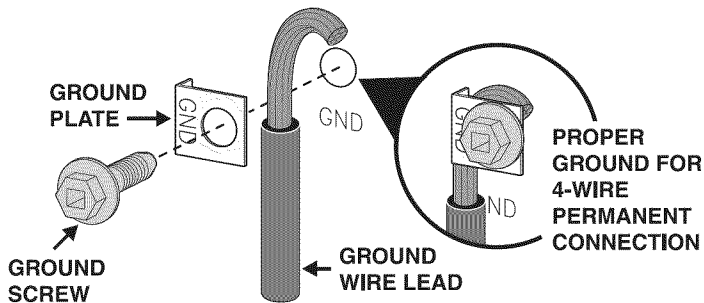


Fig. 36

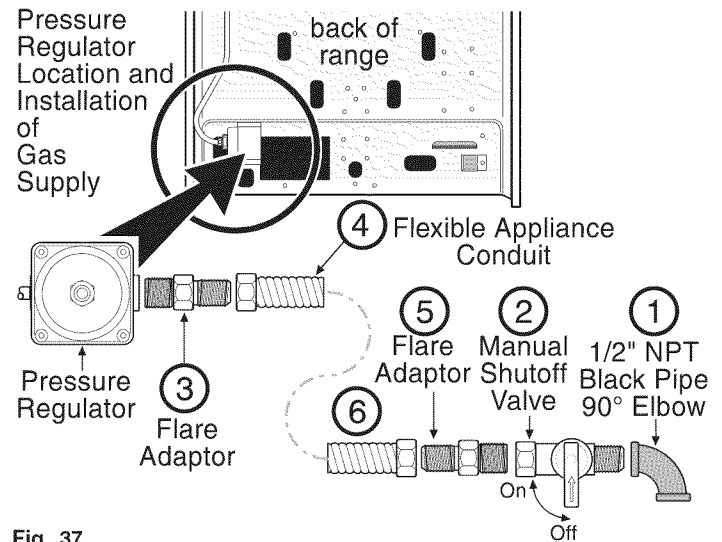


Fig. 37

INSTALLATION INSTRUCTIONS FOR FREESTANDING DUAL FUEL

Range installation instructions

C Provide an adequate gas supply.

This range is pre-set to operate on 4" natural gas manifold pressure. The Pressure Regulator is connected to the manifold and **MUST** be connected in series with the gas supply line (Refer to Fig. 37).

Care must be taken during installation of range not to obstruct the flow of combustion and ventilation air. The gas supply line should be 1/2" or 3/4" I.D.

For proper operation, the maximum inlet pressure to the regulator should be no more than 14 inches of water column pressure. The inlet pressure to the regulator must be at least 1 inch greater than regulator manifold pressure. Examples: If regulator is set for natural gas 4 inch manifold pressure, inlet pressure must be at least 5 inches; if regulator has been converted for LP/Propane gas 10 inch manifold pressure, inlet pressure must be at least 11 inches. Leak testing of the appliance shall be conducted according to the instructions in Step E.

D Seal the wall and floor openings (Refer to Figs. 1, 2 & 3).

Seal any openings in the wall behind the range and in the floor under the range after gas supply line is installed.

E Connect the range to the gas supply (refer to Fig. 37).

Before connecting gas supply to range, **review the suggested power source location drawings** (Figs. 1, 3 & 4). To prevent leaks apply pipe joint sealant on all male (outside) pipe threading. The Pressure Regulator can be found mounted to the lower left rear of range (See Fig 37). To install the gas supply:

- 1.) Install 1/2" NPT 90° Black Pipe Elbow to the gas supply pipe stub (See Figs. 3, 17 & 37)
- 2.) Install an external gas Shut-Off Valve (manual) to gas supply line in an easily-accessible location outside of the range. Be sure you know how and where to shut-off the gas supply to the range (Figs. 16 & 37).
- 3.) Install Flare Adapter* to gas Pressure Regulator (Figs. 19 & 37).

⚠ CAUTION Do not allow the Pressure Regulator to turn on pipe when tightening fittings.

- 4.) Attach flexible Appliance Conduit to Flare Adapter on Pressure Regulator (Figs. 18 & 37).
- 5.) Install 2nd Flare Adapter* to external manual Shut-Off Valve (Figs. 19 & 37).
- 6.) Attach flexible Appliance Conduit to Flare Adapter on Shut-Off Valve (Fig. 37).
- 7.) After making these connections, check for gas leaks. Turn the gas supply on to the range and use a liquid leak detector at all joints and conduits to check for leaks in the system. ***Note:** Be sure to use the 2 Flare Adapters supplied with the Flexible Conduit Kit.

⚠ WARNING Do not use a flame to check for gas leaks.

Checking Manifold Gas Pressure:

Disconnect the range and its individual shut-off valve from the gas supply piping system during any pressure testing of that system at test pressures greater than 14" of water column pressure (approximately 1/2" psig). The appliance must be isolated from the gas supply piping system by closing its individual manual shut-off valve during any pressure testing of the gas supply piping system at test pressures equal to or less than 14" of water column pressure (approximately 1/2" psig).

If it should be necessary to check the manifold gas pressure, connect manometer (water gauge) or other pressure device to the top burner right rear orifice. Using a rubber hose with inside diameter of approximately 1/4," hold tubing down tight over orifice. Turn burner valve on. For an accurate pressure check have at least two (2) other top burners burning. Be sure the gas supply (inlet) pressure is at least one inch above specified range manifold pressure. The gas supply pressure should never be over 14" water column. When properly adjusted for Natural Gas the manifold pressure is 4" (For LP/Propane Gas the manifold pressure is 10").

F Read the electrical connection details below. Plug the range into the wall receptacle.

⚠ WARNING Before servicing, disconnect electrical supply at circuit breaker, fuse or Power Cord.

⚠ WARNING PLEASE READ CAREFULLY! For personal safety, this product must be properly grounded.

INSTALLATION INSTRUCTIONS FOR FREESTANDING DUAL FUEL

Range installations steps

G Carefully slide range into cabinet opening.

Carefully slide range into cabinet opening while inserting rear leveling leg into and FULLY ENGAGING THE ANTI-TIP BRACKET (See Fig. 26). Make sure that the flexible appliance conduit (Fig. 18) and the power cord (Fig. 20) folds into the remaining open floor area behind the range warmer or storage drawer. **Make sure that the flexible appliance conduit does not become pinched or kinked!** Pre-shape the flexible appliance conduit and power cord if necessary to insure that the range slides into cabinet opening properly. Be sure to check level of the range by placing a level horizontally on an oven rack (See Fig. 27).

H Surface burner heads, cap & grates.

It is very important to make sure that all of the surface burner heads, surface burner caps and surface burner grates are installed correctly.

Your appliance was shipped with the burner heads and burner caps assembled in the correct locations (Fig. 38).

Should you need to re-install the burner caps please refer to the Use & Care guide for more information.

REMEMBER — DO NOT ALLOW SPILLS, FOOD, CLEANING AGENTS OR ANY OTHER MATERIAL TO ENTER THE

GASORIFICE HOLDER OPENING. Always keep the Burner Caps and Burner Heads in place whenever the surface burners are in use.

I Check electric ignition of surface burners.

Operation of electric igniters should be checked after range and supply line connectors have been carefully checked for leaks and range has been connected to electric power.

1. Place cooking utensil on surface burner.
2. Push the knob in and turn **counterclockwise** out of the OFF position (See Fig. 1).
3. Release the knob and rotate to the LITE position. Note: All electronic surface igniters will spark at the same time. However, only the burner you are turning on will ignite.
4. Visually check that the burner has lit.
5. Push the control knob in and turn **counterclockwise** to the desired flame size. The control knobs do not have to be set at a particular setting. Use the guides and adjust the flame as needed. **DO NOT** cook with the surface control knob in the LITE position (The electronic ignitor will continue to spark if the knob is left in the LITE position).

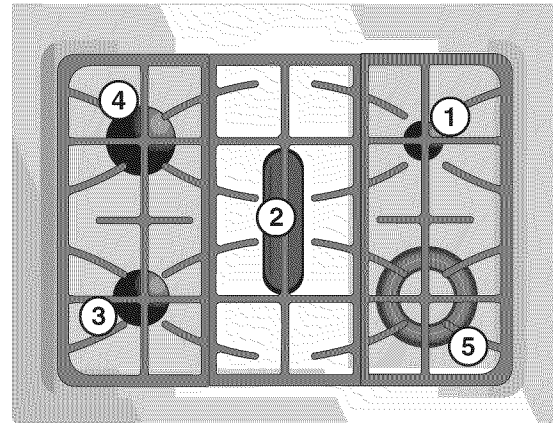


Fig. 38

1. 5,000 BTU Simmer Burner.
2. 9,500 BTU Bridge Burner.
3. 9,500 BTU Power Burner (some models).
4. 14,200 BTU Power Burner (some models).
5. 3,000 to 18,000 BTU Double Burner (some models).

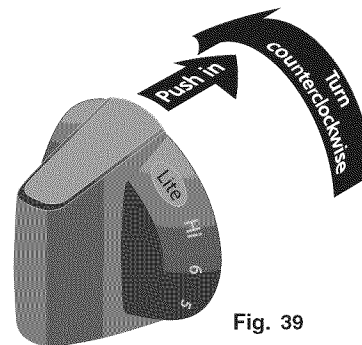


Fig. 39

J Adjust the "LO" setting of surface burner valve (for linear flow valves only).

If burner goes out, reset control to OFF.

Remove the burner control knob.

Use a thin-bladed screwdriver and adjust the inner burner flame size with the right-hand set screw (See Fig. 40).

Adjust the outer burner flame size with the lower set screw (See Fig. 40). Turn counterclockwise to increase flame size.

Turn clockwise to decrease flame size.

Test to verify if "LO or LOW" setting should be adjusted (right front position ONLY)

1. Push in and turn knob to (lite) until burner ignites.
2. Push in and quickly turn knob to LOWEST POSITION.
3. If burner goes out, reset control to OFF.
4. Remove the burner control knob.
5. Use a thin-bladed screwdriver and adjust the inner burner flame size with the right-hand set screw (See Fig. 40). Adjust the outer burner flame size with the lower set screw (See Fig. 40). Turn counterclockwise to increase flame size. Turn clockwise to decrease flame size.

INSTALLATION INSTRUCTIONS FOR FREESTANDING DUAL FUEL

Range installations steps

Test to verify if “LO or LOW” setting should be adjusted (all other positions):

1. Follow steps a thru d above.
2. Insert a thin-bladed screwdriver into the hollow valve stem and engage the slotted screw inside. Flame size can be increased or decreased with the turn of the screw. Turn counterclockwise to increase flame size. Turn clockwise to decrease flame size.

K After installation is complete, make all controls are left in the OFF position.

Care, cleaning and maintenance

Refer to the Use & Care Guide for cleaning instructions. If removing the range is necessary for cleaning or maintenance, shut off the gas supply. Disconnect the gas and electrical supply. If the gas or electrical supply is inaccessible, lift the range slightly at the front and pull out away from the wall. Pull only as far as necessary to disconnect the gas and electrical supply. Finish removing the range for servicing and cleaning. Reinstall in reverse order making sure to level the range and check gas connections for leaks. See anti-tip instructions for proper anti-tip anchoring instructions.

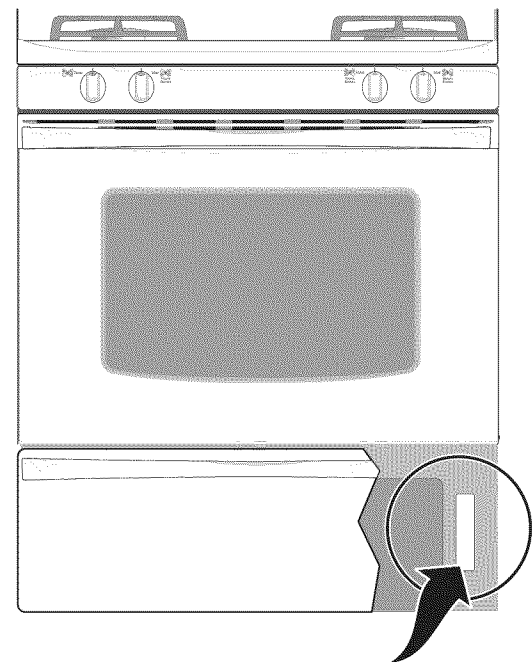
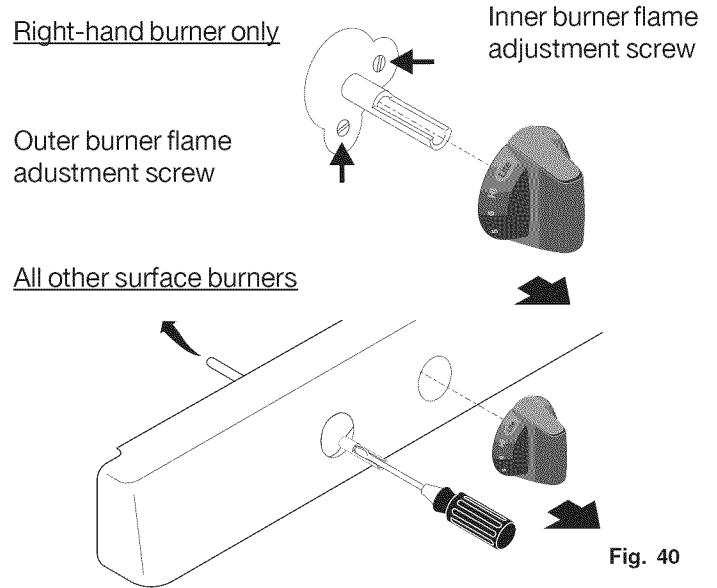
Before you call for service

Refer to the Use & Care Guide for cleaning instructions. If removing the range is necessary for cleaning or maintenance, shut off the gas supply. Disconnect the gas and electrical supply. If the gas or electrical supply is inaccessible, lift the range slightly at the front and pull out away from the wall. Pull only as far as necessary to disconnect the gas and electrical supply. Finish removing the range for servicing and cleaning. Reinstall in reverse order making sure to level the range and check gas connections for leaks. See page 3 of this document for proper anti-tip anchoring instructions.

Model and serial number location

The Serial Plate is located on the right-hand surface of the oven front frame at the storage or warmer drawer; or the lower panel area (See Fig. 41).

When ordering parts for or making inquires about your range, always be sure to include the model and serial numbers and a lot number or letter from the Serial Plate on your range. The Serial Plate will also inform you of the rating of the burners, the type of fuel and the pressure the range was adjusted for when it left the factory.



Serial plate is located on the lower right front frame of the appliance. Alternate location may be under cooktop.

Fig. 41

INSTRUCCIONES PARA LA INSTALACIÓN DEL GAS DUAL

LA INSTALACION Y EL SERVICIO DEBEN SER EFECTUADOS POR UN INSTALADOR CALIFICADO. IMPORTANTE: CONSERVE ESTAS INSTRUCCIONES PARA USO DEL INSPECTOR LOCAL DE ELECTRICIDAD. LEA Y CONSERVE ESTAS INSTRUCCIONES PARA REFERENCIA FUTURA.



Consulte la placa de serie para las certificaciones de las agencias correspondientes

Use el Tipo de Combustible Adecuado

Antes de Proceder: Su estufa ha sido diseñada para funcionar con gas natural solamente.

Notas Importantes para el Instalador

- Lea todas las instrucciones indicadas en estas instrucciones de instalación antes de instalar la estufa.
- Saque todo el material de empaque del compartimiento del horno antes de conectar el suministro de gas y de electricidad a la estufa.
- Observe todos los códigos y reglamentos pertinentes.
- Asegúrese de dejar estas instrucciones con el usuario.

Aviso importante al consumidor

- Mantenga estas instrucciones con su **Guía de Uso y Cuidado** para referencia futura.
- Al igual que con cualquier electrodoméstico que genere calor, existen ciertas precauciones de seguridad que usted debe seguir. Tales precauciones se encuentran en la **Guía de Uso y Cuidado**, léala atentamente.
- Asegúrese de que la estufa esté bien instalada y puesta a tierra en forma debida por un instalador calificado o un técnico de servicio.
- Asegúrese de que el revestimiento de la pared alrededor de la estufa puede resistir el calor generado por la estufa.
- Para eliminar la necesidad de tener que pasar sobre los elementos o quemadores superiores, se recomienda no instalar armarios directamente arriba de la cubierta de la estufa.



! WARNING

- TODAS LAS ESTUFAS PUEDEN VOLCARSE.
- SE PUEDEN CAUSAR LESIONES.
- INSTALE EL DISPOSITIVO ANTIVUELCO INCLUIDO CON LA ESTUFA.
- VEALAS INSTRUCCIONES DE INSTALACION.

! ADVERTENCIA Si no se sigue estrictamente la información de este manual, se puede producir un incendio o una explosión causando daños materiales, lesiones corporales o fatales.

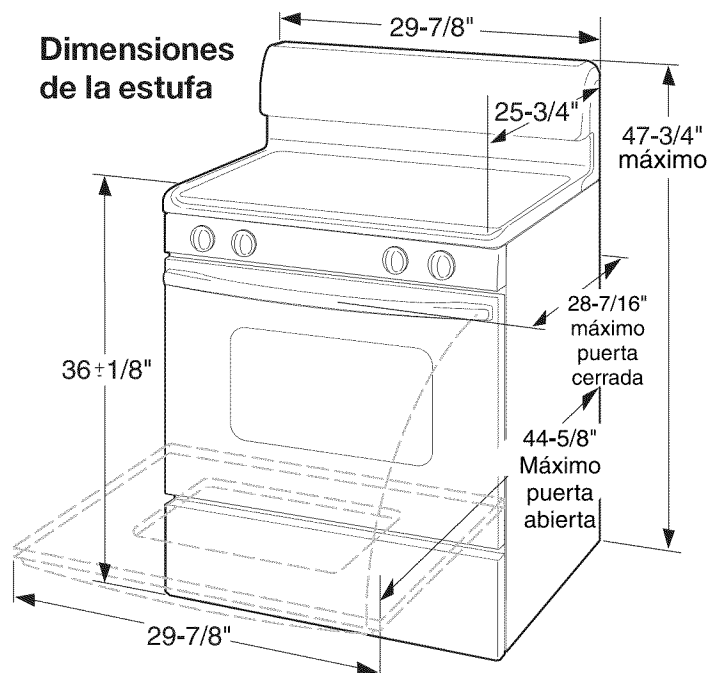
PARA SU SEGURIDAD:

- No almacene ni use gasolina u otros líquidos o vapores inflamables cerca de este o cualquier otro artefacto.
- SI SIENTE OLOR A GAS:
 - No trate de encender el artefacto.
 - No toque ningún interruptor eléctrico; no use ningún teléfono en su edificio.
 - Llame inmediatamente a su proveedor de gas desde un teléfono vecino. Siga las instrucciones del proveedor de gas.
 - Si no puede comunicarse con su proveedor de gas, llame al departamento de bomberos.
- La instalación y el servicio deben ser efectuados por un instalador o técnico calificado o por el proveedor de gas.

Espacios Libres y Dimensiones

Ubicación – Revise el lugar donde será instalada la estufa. Verifique el suministro de energía eléctrica y la estabilidad del piso.

Es esencial que se usen las dimensiones que se muestran. Las dimensiones indicadas proveen los espacios libres mínimos. La superficie de contacto debe ser firme y nivelada.



INSTRUCCIONES PARA LA INSTALACIÓN DEL GAS DUAL

INSTRUCCIONES IMPORTANTES DE SEGURIDAD

La instalación de esta estufa debe ser de acuerdo con los códigos locales o, en ausencia de códigos locales, con el Código Nacional de Gas Combustible ANSI Z223.1 - última edición cuando sea instalado en los Estados Unidos.

Cuando la estufa sea instalada en una casa móvil (prefabricada), la instalación debe cumplir con las normas vigentes de Manufactured Home Construction and Safety Standard (Normas de Construcción y Seguridad de Casas Prefabricadas, Título 24 CFR, Parte 3280 (anteriormente denominada Normas Federales para la Construcción y Seguridad de Viviendas Móviles, Título 24, HUD (Parte 280) o, cuando tales normas no corresponden, se deben cumplir las Normas para Instalaciones en Casas Prefabricadas, ANSI/NCSBCS A225.1 o los códigos locales.

El diseño de esta estufa ha sido certificado por la CSA International. Al igual que con cualquier artefacto que use gas y genere calor, se deben seguir ciertas precauciones de seguridad. Las encontrará en la Guía de Uso y Cuidado, léala atentamente.

- **Asegúrese de que su estufa sea instalada y puesta a tierra en forma debida por un instalador calificado o un técnico de servicio.**
- **Esta estufa debe ser puesta a tierra eléctricamente de acuerdo con los códigos locales o, en ausencia de ellos, con el Código Eléctrico Nacional ANSI/NFPA No. 70 - última edición cuando es instalada en los Estados Unidos.** Vea las "Instrucciones para la Puesta a Tierra" en la página 20 y 21 de los Pasos de la Instalación de la Estufa.
- **Antes de instalar la estufa en un área que esté cubierta con linóleo o con cualquier otro revestimiento sintético de piso, asegúrese de que el revestimiento del piso pueda soportar calor de por lo menos 90°F sobre la temperatura ambiente sin encogerse, combarse o descolorarse.** No instale la estufa sobre una alfombra a menos que usted coloque un cojín aislante o una hoja de madera contrachapada de 1/4" de grosor entre la estufa y la alfombra.
- **Asegúrese de que los revestimientos de la pared alrededor de la estufa puedan soportar el calor generado por la estufa.**
- **No obstruya el flujo del aire de combustión en la ventilación del horno ni alrededor de la base ni debajo del panel delantero inferior de la estufa.** Evite tocar las aberturas de ventilación o las superficies cercanas pues pueden calentarse cuando el horno está en funcionamiento. Esta estufa necesita aire fresco para una combustión adecuada de los quemadores.

- **No guarde artículos que interesen a los niños en los armarios que estén arriba de la estufa.** Los niños pueden quemarse seriamente si se trepan a la estufa para alcanzar artículos.
- **Para eliminar la necesidad de alcanzar artículos pasando sobre los quemadores, se debe evitar colocar armarios de almacenamiento sobre los quemadores.**
- **Ajuste el tamaño de la llama del quemador superior de manera que no se extienda más allá del borde del utensilio de cocina.** Una llama excesiva es peligrosa.
- **No use el horno como espacio para almacenamiento.** Esto crea una situación potencialmente peligrosa.
- **Nunca use este artefacto para calentar o calefaccionar la habitación.** El uso prolongado de la estufa sin ventilación adecuada puede ser peligroso.
- **No almacene ni use gasolina ni otros vapores o líquidos inflamables cerca de este o de cualquier otro artefacto.** Se pueden producir explosiones o incendios.
- **Vuelva a colocar todos los controles en la posición "OFF" después de usar una operación programable con temporizador.**

PARA LOS MODELOS CON LA CARACTERÍSTICA DE AUTOLIMPIEZA:

- **Saque la asadera, los alimentos y otros utensilios antes de efectuar la autolimpieza del horno.** Limpie los derrames. Siga las instrucciones de limpieza indicadas en la Guía de Uso y Cuidado.
- **A diferencia de una estufa a gas convencional, ESTA CUBIERTA NO SE PUEDE SACAR.** No trate de sacar la cubierta.

! ADVERTENCIA NO INTENTE USAR EL HORNO DE ENCENDIDO ELÉCTRICO DURANTE UNA INTERRUPTIÓN DE LA CORRIENTE ELÉCTRICA. COLOQUE TODOS LOS CONTROLES EN LA POSICIÓN "OFF" (APAGADO) EN CASO DE UNA INTERRUPTIÓN DE LA CORRIENTE ELÉCTRICA.

El encendedor eléctrico volverá a encender automáticamente el quemador del horno cuando se restaure la corriente eléctrica si es que el control del termostato del horno se dejó en la posición "ON" (ENCENDIDO).

Cuando ocurre una interrupción de la corriente eléctrica durante el uso, los quemadores superiores continúan funcionando.

Durante una interrupción de la corriente eléctrica, los quemadores superiores pueden ser encendidos con un fósforo. Sujete un fósforo encendido cerca del quemador, luego gire lentamente la perilla a la posición "LITE". Tenga mucho cuidado cuando encienda los quemadores de esta manera.

INSTRUCCIONES PARA LA INSTALACIÓN DEL GAS DUAL

Herramientas y Materiales Necesarios

(Cuando trabaje con herramientas use lentes protectores):

Para los tornillos niveladores y soporte antivuelco:

- Llave ajustable o pinzas ajustables (Fig. 5).
- Llave de tuerca de 1/4" y 5/16" o destornillador de punta plana (Fig. 6).
- Taladro eléctrico y broca de 1/8" de diám. (broca para taladro de mampostería de 5/32" si está instalando en concreto) (Fig. 7).
- Nivel (Fig. 22)

Para la conexión al suministro del gas:

- Llave de tubo (Fig. 8).

Para ajustar la llama del quemador:

- Destornillador Phillips y destornilladores de punta plana (Figs. 9 y 10).

Para conversión del gas (Gas propano/G.L.P.):

- Llave de boca abierta – 1/2" (Fig. 11).

Materiales adicionales que usted necesitará:

- Plantilla del soporte antivuelco (Fig. 12), 2 tornillos de montaje (el soporte y los tornillos son suministrados con la estufa - Fig. 13) y cinta adhesiva (Fig. 14).
- Compuesto sellador de juntas resistente al gas G.L.P./ Propano (Fig. 15).
- Llave de cierre de la tubería del gas (Fig. 16).
- Codo de tubería negro de 1/2" NPT 90° (Fig. 17).
- Un conducto nuevo para artefacto de metal flexible (1/2" NPT x 3/4" o 1/2" de D.I.) certificado por CSA International. Debido a que la tubería sólida restringe la movilidad de la estufa, recomendamos que use un conducto nuevo flexible (**LARGO MAXIMO: 48"**) para cada nueva instalación y reinstalaciones adicionales.
- Siempre use los (2) adaptadores de unión abocinados nuevos (1/2" NPT x 3/4" o 1/2" de D.I.) suministrados con el nuevo conducto flexible de artefacto para conexión de la estufa (Fig. 19).
- Cable eléctrico (Juego de Cable para 40/50 amperios - **LARGO MAXIMO: 48"** - Fig. 20).
- Tomacorriente mural y placa de montaje, tetra o trifilar, para 40/50 amperios (Fig. 21).
- Alambre eléctrico de cobre y tubo de metal (para instalación con cables permanentes solamente).

Herramientas



Fig. 5

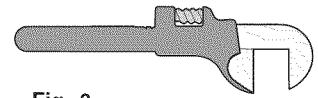


Fig. 8

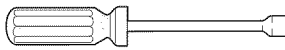


Fig. 6

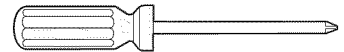


Fig. 9

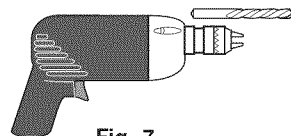


Fig. 7

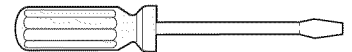


Fig. 10

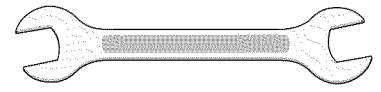


Fig. 11

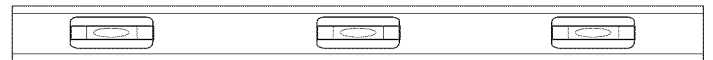


Fig. 22

Materiales

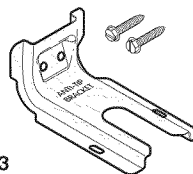


Fig. 13

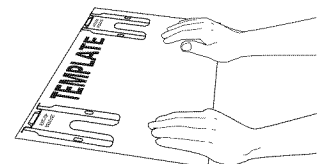


Fig. 12

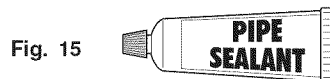


Fig. 15

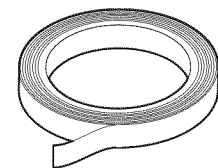


Fig. 14

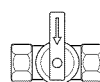


Fig. 16



Fig. 17

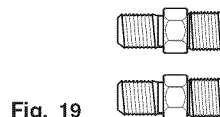


Fig. 19

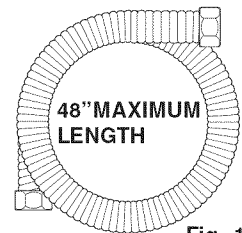


Fig. 18

4 or 3 Wire Cord Kit
48" MAXIMUM LENGTH

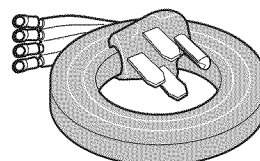


Fig. 20

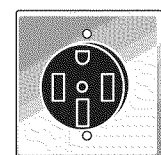


Fig. 21

INSTRUCCIONES PARA LA INSTALACIÓN DEL GAS DUAL

Dimensiones del gabinete y de la cubierta:

- Verifique el espacio libre entre las paredes y el gabinete del lugar donde se instalará la estufa.
- Verifique la estabilidad del piso donde se instalará la estufa.
- Verifique el suministro eléctrico y de gas.

Note: All dimensions provided are minimal unless otherwise stated.

A fin de eliminar el riesgo de quemaduras o incendio cuando se pasa sobre los elementos superiores calientes para alcanzar los armarios, se debe evitar instalar armarios arriba de la cubierta. Si se provee espacio para almacenamiento en tal lugar, se puede reducir el riesgo instalando una campana extractora que proteja horizontalmente un mínimo de 5" mas alla de la parte inferior de los armarios.

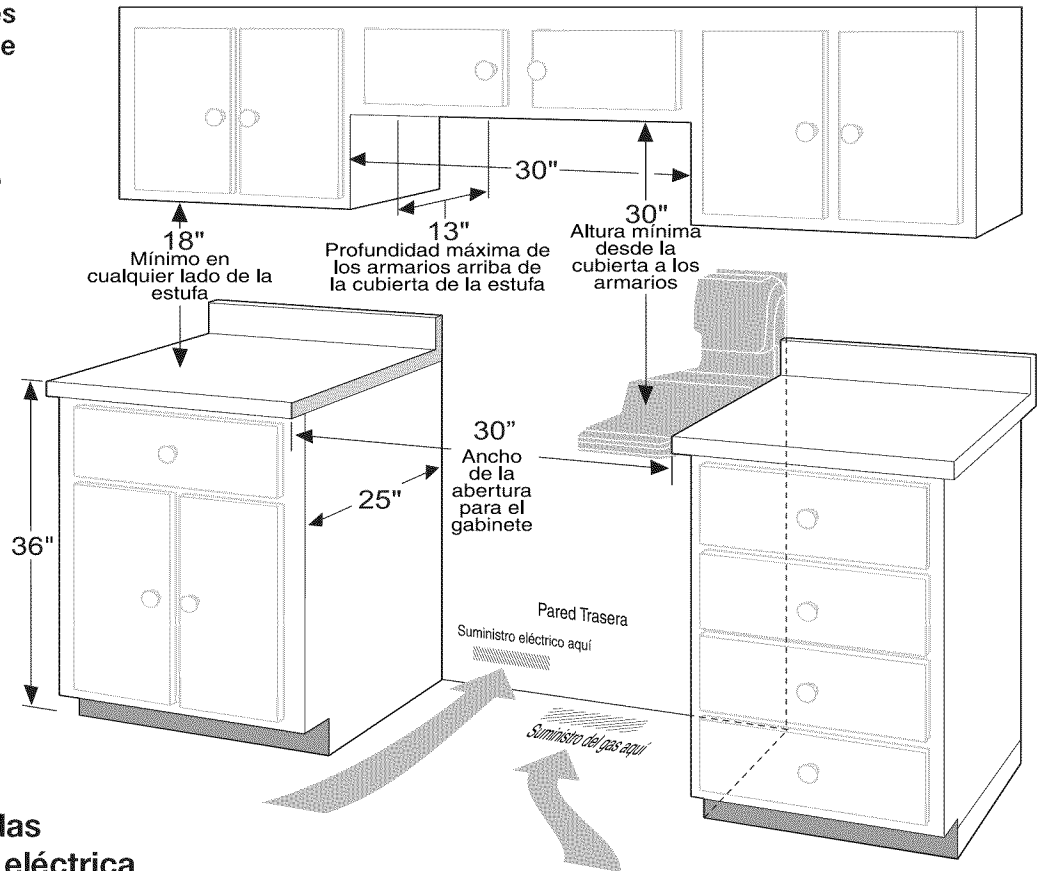


Fig. A

Ubicaciones sugeridas para la alimentación eléctrica

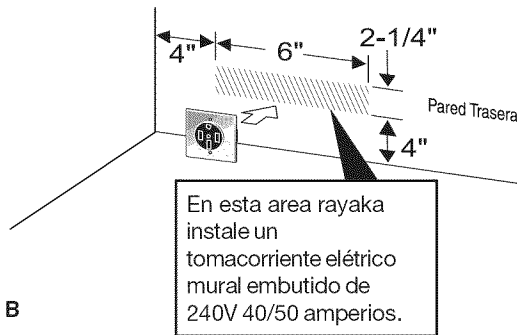


Fig. B

- No selle la estufa a los armarios laterals.
- No apriete el cable el éctrico entre la estufa y la pared.
- Si la profundidad del gabinete es superior a 25", el marco delantero del horo debe extenderse por lo menos 1/2" m ás all á de la parte delantera del gabinete.

Se deben sellar todas las aberturas de la pared o del piso donde se instale la estufa.

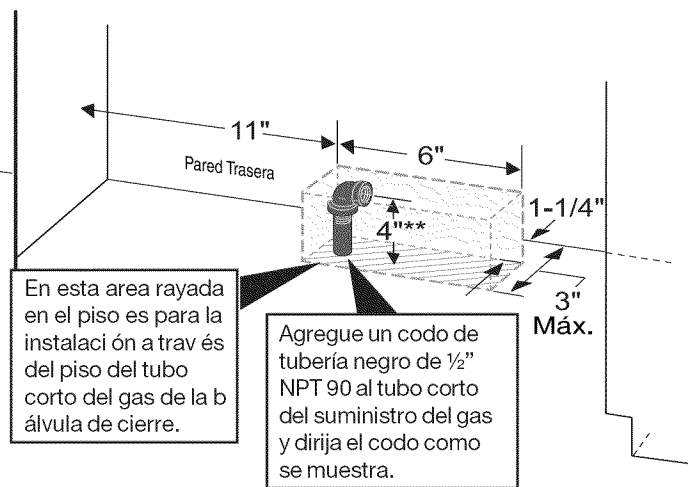
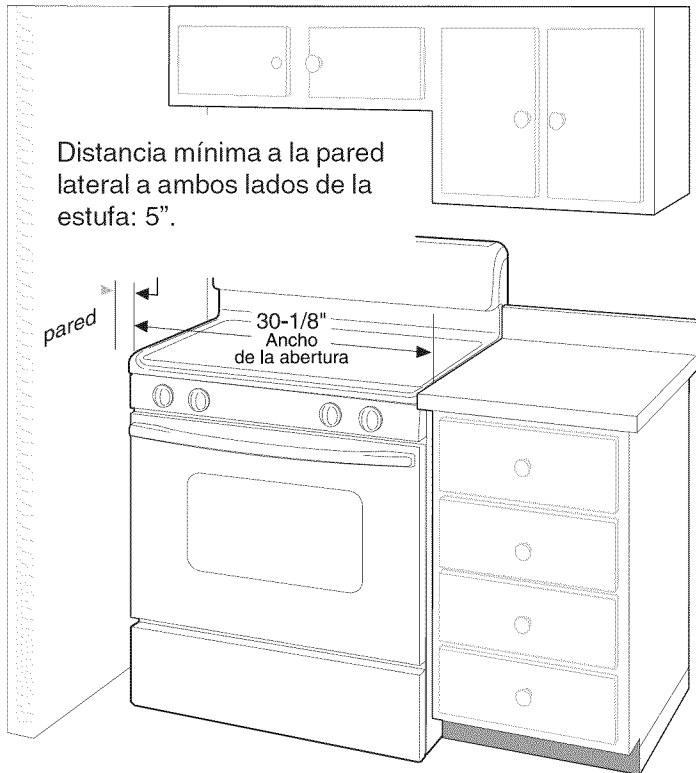


Fig. C

Nota: La línea central del conjunto del tubo corto del gas y del codo no debe estar a más de 4: de altura desde el suelo.

INSTRUCCIONES PARA LA INSTALACIÓN DEL GAS DUAL

Instalación con armarios y pared



Instalación del Soporte Antivuelco

¡ADVERTENCIA DE SEGURIDAD IMPORTANTE!

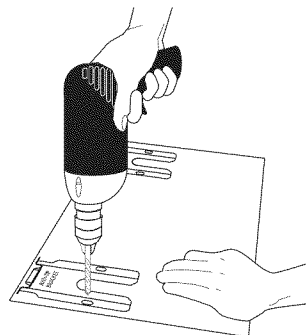
Para reducir el riesgo de que la estufa se vuelque, es necesario asegurarla al piso instalando el soporte antivuelco y los tornillos suministrados con la estufa. Si no se instala el soporte antivuelco, la estufa se puede volcar si un niño se sube a ella. Se pueden ocasionar lesiones graves causadas por los líquidos calientes derramados o por la estufa misma.

Si la estufa es movida a otro lugar, el soporte antivuelco debe también ser movido e instalado en la estufa.

Las instrucciones son adecuadas para instalación en pisos de madera o cemento sujeto ya sea al piso o la pared. Cuando se instala en la pared, asegúrese de que los tornillos penetren completamente en el drywall y que estén asegurados en madera o metal. Cuando se asegura al piso o en la pared, asegúrese de que los tornillos no penetren ningún cableado eléctrico o plomería.

Instrucciones de Instalación para el Soporte Antivuelco

- 1. Ubique el soporte utilizando la plantilla** - (El soporte puede ser instalado ya sea en el lado izquierdo o derecho de la estufa. Consulte desde la Fig. 24 a la 26 para colocar el soporte si no se dispone de la plantilla). Marque el piso o la pared donde se colocará el lado izquierdo o derecho de la estufa. Si la parte trasera de la estufa será colocada contra la pared o a no más de 1-1/4" de la pared cuando ya esté instalada, usted puede usar el método de instalación en el piso o en la pared. Si tiene moldura instalada y ésta no permite que el soporte quede a ras contra la pared, retire la moldura o instale el soporte en el piso. Para montaje en la pared (Fig. 24), ubique la plantilla colocando el borde trasero de la plantilla contra la pared trasera y el borde lateral de la plantilla en la marca hecha indicando el lado de la estufa. Coloque el soporte sobre la plantilla y marque la ubicación de los agujeros de los tornillos en la pared. Si la parte trasera de la estufa está a más de 1-1/4" de la pared cuando ya está instalada, instale el soporte en el piso. Para montaje en el piso (Fig. 24 o 25), ubique el soporte colocando el borde trasero de la plantilla donde quedará ubicada la parte trasera de la estufa. Marque la ubicación de los agujeros de los tornillos mostrados en la plantilla.
- 2. Taladre agujeros pilotos e instale el soporte** - Taladre un agujero piloto de 1/8" donde se van a instalar los tornillos (Fig. 23). Si el soporte va a ser instalado en la pared, taladre un agujero piloto en un ángulo descendente de aproximadamente 20°. Si el soporte va a ser instalado en pisos de mampostería o de cerámica, taladre un agujero piloto de 3/16" y 1-3/4" de profundidad. Los tornillos provistos pueden ser usados en materiales de madera o concreto. Use una llave de tuerca de 5/16" o un destornillador de punta plana para asegurar el soporte en su lugar.
- 3. Nivele y ubique la estufa** - Nivele la estufa ajustando los cuatro (4) tornillos niveladores con una llave. Nota: Se debe dejar un espacio libre mínimo de 1/8" entre la parte inferior de la estufa y los tornillos niveladores a fin de dejar espacio para instalar el soporte (Fig. 26). Deslice la estufa de nuevo a su lugar. Retire el panel inferior o la gaveta de almacenamiento para verificar visualmente si el tornillo nivelador trasero está insertado y firmemente asegurado por el soporte. Para los modelos con un compartimiento calefactor o compartimiento de asador, sujete la estufa desde el borde superior trasero y trate de inclinarla hacia adelante cuidadosamente. Use un nivel para verificar sus ajustes (Fig. 27).



INSTRUCCIONES PARA LA INSTALACIÓN DEL GAS DUAL

Instrucciones de Instalación para el Soporte Antivuelco

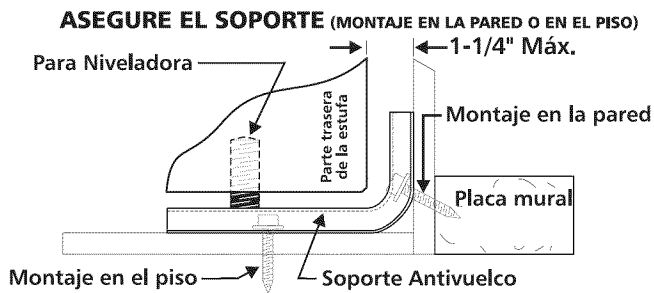


Fig. 24

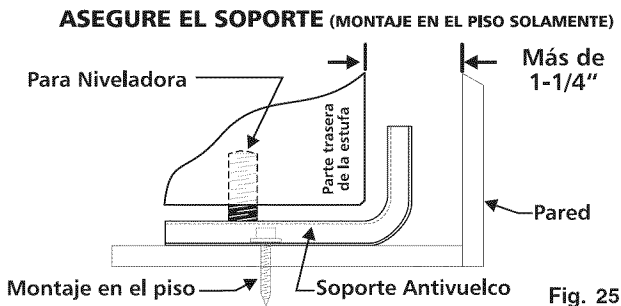


Fig. 25

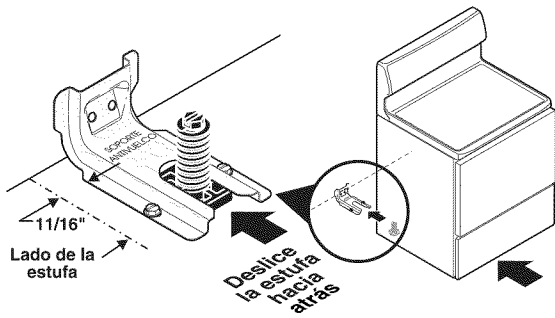


Fig. 26

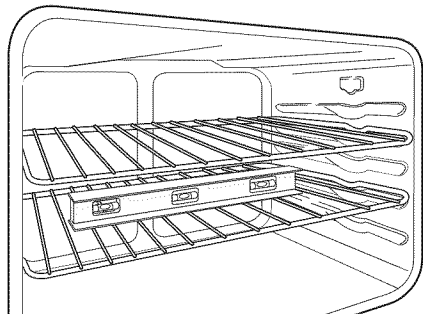
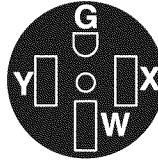


Fig. 27

Requerimientos Eléctricos

Tipos de tomacorrientes murales eléctricos trifilares o tetrafilares y orientación recomendada de montaje en la pared



Requerido para instalaciones nuevas y remodeladas

Tomacorriente Mural Tetrafilar (14-50R)



Permitido para instalaciones existentes

Tomacorriente Mural Tetrafilar (10-50R)

Fig. 28

Requerimientos Eléctricos de Conexión

Este artefacto debe ser instalado y puesto a tierra en forma correcta por un técnico calificado de acuerdo con el Código Nacional de Electricidad ANSI/NFPA No. 70 — última edición — y los requerimientos del código local de electricidad.

Este artefacto debe ser conectado mediante “cableado permanente” o el “Juego de Cable de Alimentación Eléctrica.”

Cuando use cable, no deje el exceso de cable en el compartimiento de la estufa. El exceso de alambre en el compartimiento de la estufa puede impedir que la tapa de acceso sea reinstalada en forma debida y podría crear un riesgo eléctrico potencial si los alambres son apretados. Conecte solamente como se indica en la sección “INSTRUCCIONES PARA EL CABLEADO” en el Paso B de los Pasos de la Instalación. Cuando use tubo flexible o cable de estufa, use sujetacable de estufa o conector flexible (Ver Fig. 32 en la página 19).

NOTA: Use solamente alambre de cobre en la conexión al tablero de bornes.

Modelos que requieren el Juego de Cable de Alimentación Eléctrica

PUEDE OCURRIR RIESGO DE INCENDIO O CHOQUE ELECTRICO SI SE USA UN JUEGO DE CABLE DE ESTUFA DE CALIBRE INCORRECTO, SI NO SE SIGUEN LAS INSTRUCCIONES DE INSTALACION O SI NO SE USA EL SOPORTE DEL SUJETACABLES.

Este artefacto puede ser conectado mediante un cable de alimentación eléctrica. Se debe usar solamente un juego de cable de alimentación eléctrica para 125/250 voltios mínimo y marcado para uso con estufas. Vea la tabla (Figura 29) para la información sobre la intensidad nominal del juego de cable. El cable debe tener ya sea cuatro (4) o tres (3) conductores (Ver Fig. 28). Los bornes en los extremos de los cables deben ser ya sea en bucle cerrado o terminales de horquilla con los extremos girados hacia arriba. El cable debe tener abrazadera para sujetacable. Ver Paso B en los Pasos de la Instalación para conexiones con cables tetrafilares o trifilares.

INSTRUCCIONES PARA LA INSTALACIÓN DEL GAS DUAL

Pasos de Instalación de la Estufa

A Instalación del Cable de Alimentación.

Se debe retirar la cubierta de acceso trasera. Para retirar, afloje el tornillo central (un tornillo) y retire la cubierta de acceso. De este modo tendrá acceso al tablero de bornes. (Ver Fig. 30).

Tabla del Tamaño de la Abertura de la Conexión de la Estufa				
Información sobre la intensidad nominal del Juego de Cable de Alimentación. Ver la placa de serie en la estufa para los datos sobre la potencia nominal en kilovatios.				
Ver la placa de serie en la estufa para la potencia nominal en kilovatios.		Intensidad Nominal del Juego de cable	Diámetro (pulgadas) de la abertura de conexión de la estufa	
120/240 Voltios	120/208 Voltios		Juego de cable	Alambrado Permanente
8,8-16,5 KW	7,9-12,5 KW	40/50 Amp	1-3/8 pulg.	1-3/8 pulg.
16,6-22,5 KW	12,6-18,5 KW	50 Amp	1-3/8 pulg.	1-3/8 pulg.

Figura 29

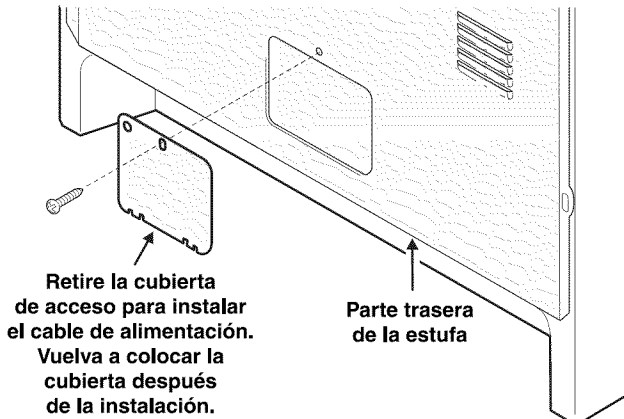


Figura 30

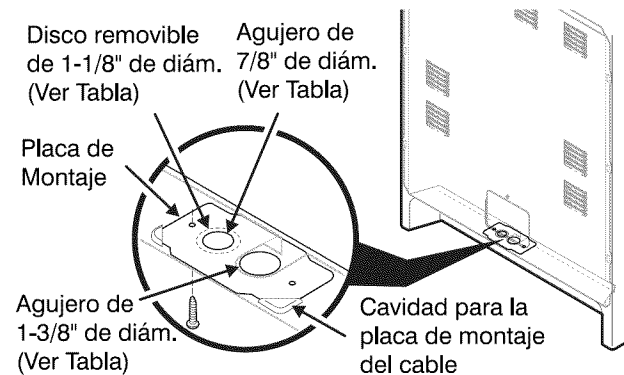


Figura 31

B Instrucciones para el Cableado (Conexión Tetrafilar - Ver Fig. 33)

Antes del cableado de la estufa, revise los dibujos de las ubicaciones sugeridas para la fuente de alimentación en la Fig. 2. Si se va a conectar a un sistema eléctrico tetrafilar (los circuitos de derivación nuevos o las casas rodantes requieren conexión tetrafilar):

1. Siga las instrucciones de instalación del fabricante suministradas con el sujetacable e instale (Además vea las Figs. 29, 30 y 31).
2. Inserte los conectores de extremo para la Línea 1, Línea 2 y Neutro y apriete firmemente en el tablero de bornes. **NOTA IMPORTANTE: NO AFLOJE** las conexiones de tuerca instaladas en la fábrica que aseguran el cableado de la estufa en el tablero de bornes. Se puede producir una falla eléctrica o pérdida de la conexión eléctrica si estas 3 tuercas son aflojadas o retiradas.
3. Usted debe desconectar la cinta de conexión a tierra. Retire el tornillo y placa de tierra instalada en la fábrica para soltar la cinta de conexión a tierra de cobre del marco del electrodoméstico. **CONSERVE** el tornillo de tierra.
4. Conecte el alambre de puesta a tierra (Verde) con el ojal en el marco del electrodoméstico con el tornillo de tierra usando el mismo agujero del marco donde estaba originalmente instalado el tornillo de tierra (Ver Fig. 33).
5. Asegúrese de que todas las tuercas estén firmemente apretadas y vuelva a colocar la cubierta de acceso trasera (Ver Fig. 30).

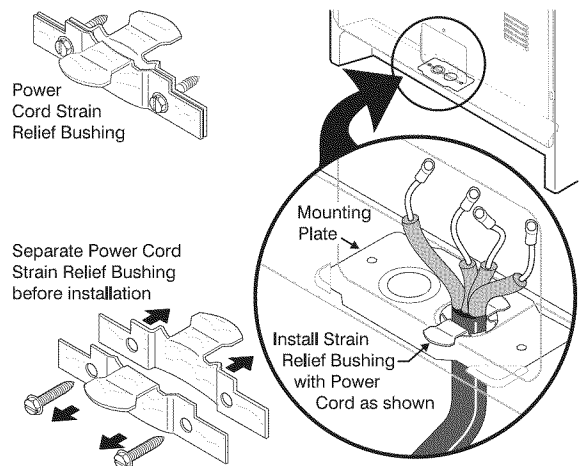


Figura 32

INSTRUCCIONES PARA LA INSTALACIÓN DEL GAS DUAL

Pasos de Instalación de la Estufa

B Instrucciones para conexión trifilar (para instalaciones existentes SOLAMENTE -Consulte la Fig. 34):

1. Siga las instrucciones de instalación del fabricante suministradas con el sujetacable e instale (Además vea las Figs. 29, 30 y 31).
2. Inserte los conectores de extremo para la Línea 1, Línea 2 y Neutro y apriete firmemente en el tablero de bornes (Ver Fig. 34)
NOTA IMPORTANTE: NO AFLOJE las conexiones de tuerca instaladas en la fábrica que aseguran el cableado de la estufa en el tablero de bornes. Se puede producir una falla eléctrica o pérdida de la conexión eléctrica si estas 3 tuercas son aflojadas o retiradas.
3. Asegúrese de que todas las conexiones estén firmemente apretadas y vuelva a colocar la cubierta de acceso trasera (Ver Fig. 30).

Instrucciones para la Puesta a Tierra (para conexiones trifilares solamente):

Esta estufa tiene instalada una cinta de conexión a tierra que conecta el borne central del tablero de bornes (neutro) al chasis de la estufa. La cinta de conexión a tierra está conectada a la estufa mediante el tornillo central más inferior (Ver Fig. 13). La cinta de conexión de tierra no debe retirarse a menos que el código nacional, estatal o local no permitan el uso de una cinta de conexión a tierra.

NOTA: Si por cualquier motivo se retira la cinta de conexión a tierra, se debe conectar un alambre de tierra separado al tornillo de tierra instalado en el chasis de la estufa y a una tierra adecuada.

CONEXIONES DEL CABLEADO PERMANENTE TRIFILAR Y TETRAFILAR:

- 3 - Conexión trifilar permanente - siga los pasos 1, 2 y 5 incluidos a continuación.
- 4 - Conexión tetrafilar permanente - siga los pasos 1 al 5 que se encuentran más abajo.

Antes del cableado de la estufa, examine los dibujos de la ubicación sugerida para la fuente de alimentación en la Fig.

1. **(Conexiones permanentes trifilares y tetrafilares)** Siga las instrucciones de instalación del fabricante suministradas con el sujetacable e instale.
2. **(Conexiones permanentes trifilares y tetrafilares)** Desforre el aislamiento de los extremos del cableado permanente para la Línea 1, Línea 2, Neutro (además desforre el alambre de conexión a tierra en las conexiones tetrafilares). Apriete los 3 conductores

Conexión Tetrafilar

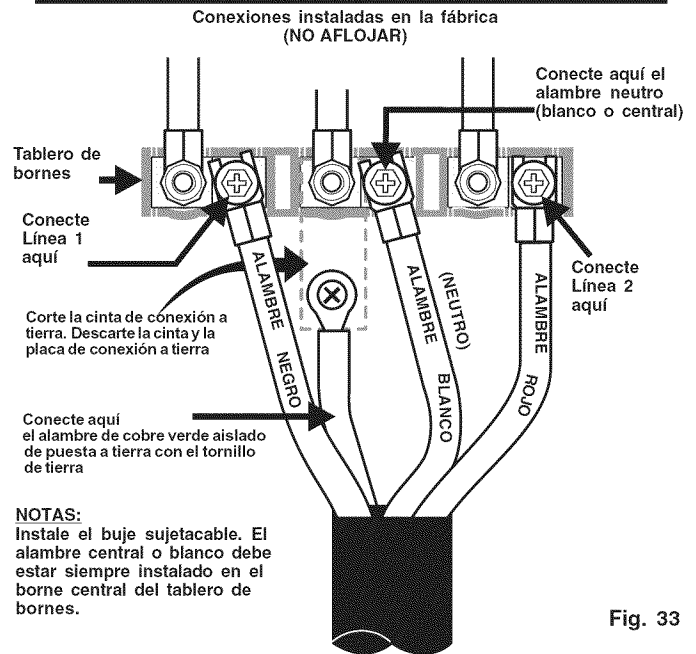


Fig. 33

Conexión Trifilar

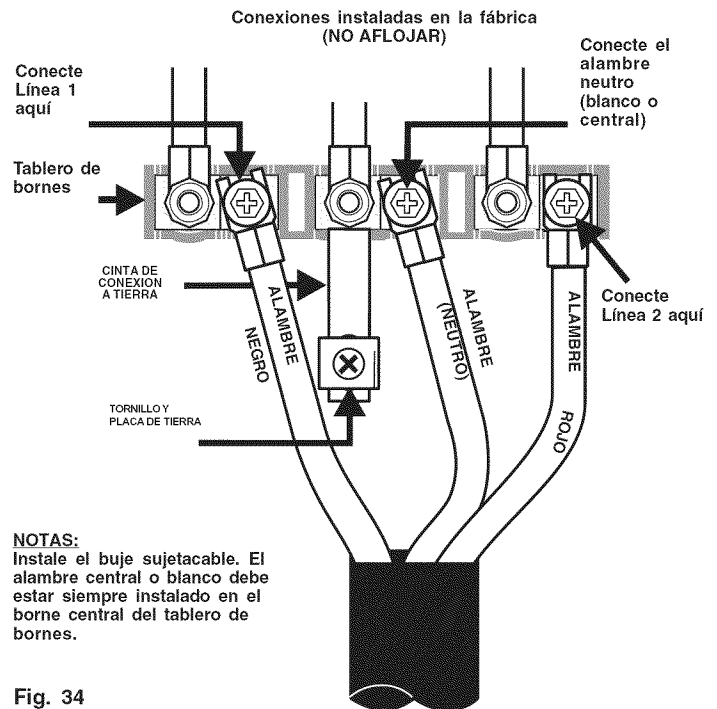


Fig. 34

INSTRUCCIONES PARA LA INSTALACIÓN DEL GAS DUAL

Pasos de Instalación de la Estufa

hacia el tablero de bornes (Siga las ubicaciones de los alambres que se muestran en la Fig. 35).

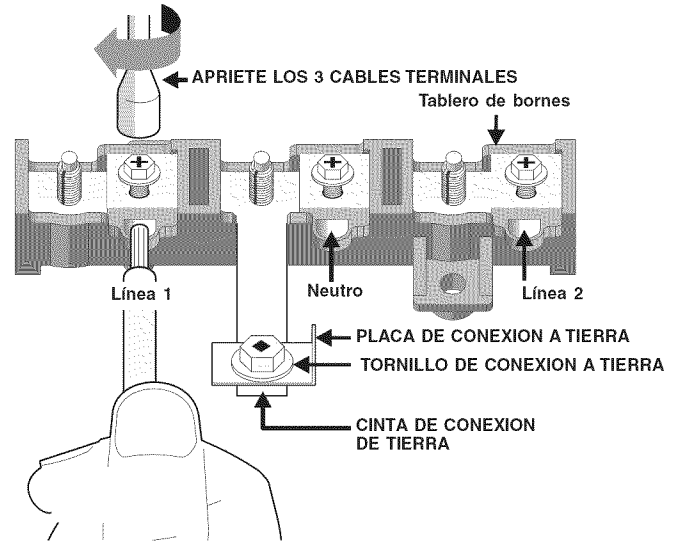
NOTA IMPORTANTE: NO AFLOJE las conexiones de tuerca instaladas en la fábrica que aseguran el cableado de la estufa en el tablero de bornes. Se puede producir una falla eléctrica o pérdida de la conexión eléctrica si estas 3 tuercas son aflojadas o retiradas

NOTA: Para las conexiones permanentes trifilares omita los Pasos 3 y 4 y continúe con el Paso 5.

3. **(Conexión permanente tetrafililar SOLAMENTE)** Desconecte la cinta de conexión a tierra. Retire el tornillo y placa de tierra instalada en la fábrica para soltar la cinta de conexión a tierra de cobre del marco del electrodoméstico. CONSERVE el tornillo de tierra, la placa de tierra y siga con el Paso 4.
4. **(Conexión permanente tetrafililar SOLAMENTE)** Conecte el alambre terminal de puesta a tierra (Verde) al marco del electrodoméstico usando el tornillo y la placa de conexión a tierra, como se muestra en la Fig. 36. Asegúrese de instalarlo usando el mismo agujero del marco donde estaba originalmente instalado el tornillo de tierra.
5. (Conexiones permanentes trifilares y tetrafilares) Asegúrese de que todas las tuercas estén firmemente apretadas y vuelva a colocar la cubierta trasera (Ver Fig. 30).

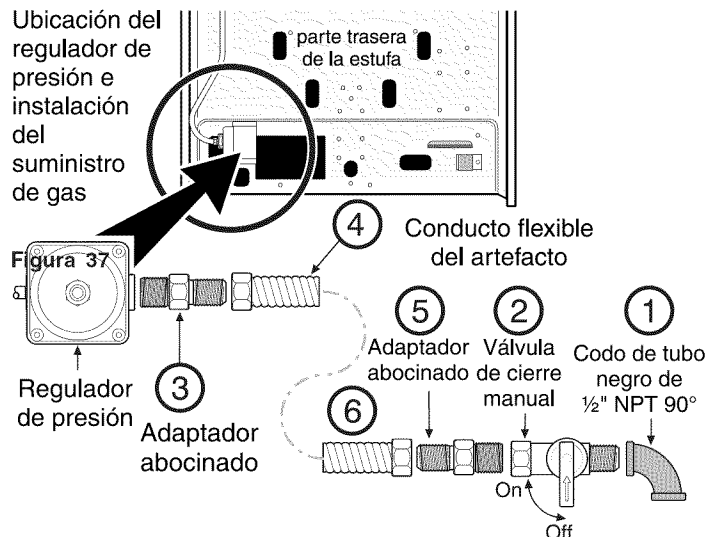
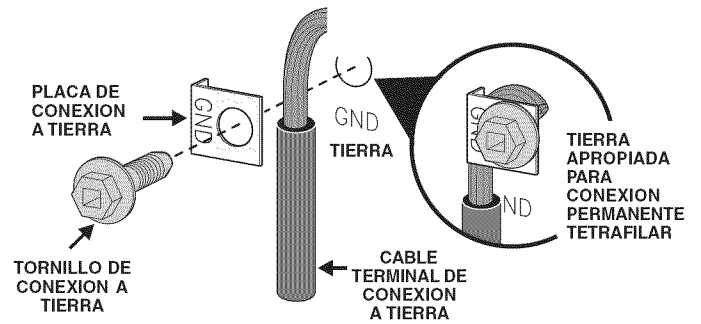
NOTA: Las conexiones de compresión no terminadas del cableado de campo deben ser ajustadas a aproximadamente 22 pulg./lbs. Siempre use un alambre galga 10 o mas grande.

Conexión permanente tetrafililar SOLAMENTE



Conexión permanente tetrafililar SOLAMENTE

Figura 36



INSTRUCCIONES PARA LA INSTALACIÓN DEL GAS DUAL

Pasos de Instalación de la Estufa

C Use un suministro de gas adecuado.

Esta estufa ha sido ajustada para funcionar a una presión de 4" (columna de agua) del gas natural en el colector. Un regulador de presión ha sido conectado al colector y DEBE ser conectado en serie con la tubería de suministro de gas (Consulte la Fig. 37).

Se debe tener cuidado durante la instalación de la estufa de no obstruir el flujo de la combustión y el aire de ventilación. La tubería de suministro del gas debe tener un diámetro interior de 1/2" o 3/4".

Para funcionamiento adecuado, la presión máxima de entrada al regulador no debe ser de más de 14 pulgadas de columna de agua. La presión de entrada al regulador debe de ser de por lo menos 1 pulgada mayor que la presión del regulador/colector. Ejemplos: Si la presión del gas natural en el colector es de 4 pulgadas, la presión de entrada debe ser de por lo menos 5 pulgadas; si el regulador ha sido convertido a gas licuado de petróleo/gas propano a una presión de 10 pulgadas de columna de agua en el colector, la presión de entrada debe ser de por lo menos 11 pulgadas (columna de agua). La prueba de escapes del electrodoméstico será efectuada de acuerdo con las instrucciones en el Paso E.

D Selle la abertura de la pared y del piso (Consulte las Figs. 1, 2 y 3).

Selle cualquier abertura que pueda haber en la pared detrás de la estufa y en el piso debajo de la estufa después de que se instale la tubería de suministro de gas.

E Conexión del suministro del gas a la estufa (consulte la Fig. 37).

Antes de conectar el gas a la estufa, revise los dibujos de las ubicaciones sugeridas para la fuente de alimentación (Figs. 1, 3 y 4). Para evitar fugas, aplique compuesto sellador para juntas en todas las roscas machos (exteriores) de la tubería. El regulador de presión se encuentra en la parte trasera inferior izquierda de la estufa (Ver Fig. 37). Para instalar el suministro de gas proceda de la manera siguiente:

- 1.) Instale un codo de tubo negro de 1/2" NPT 90° al tubo corto de suministro del gas (Ver Figs. 3, 17 y 37).

- 2.) Instale una válvula externa de cierre del gas (manual) en la tubería de suministro del gas en una ubicación de fácil acceso, fuera de la estufa. Asegúrese de estar informado como y donde se cierre el suministro de gas a la estufa (Figs. 16 y 37).
- 3.) Instale un adaptador abocinado* en el regulador de presión del gas (Figs. 19 y 37).

⚠ ATENCION No permita que el regulador de presión gire en la tubería cuando esté apretando los accesorios.

- 4.) Instale el conducto flexible del artefacto en el adaptador abocinado en el regulador de presión (Figs. 18 y 37).
- 5.) Instale un segundo adaptador abocinado* en la válvula de cierre externa manual (Figs. 19 y 37).
- 6.) Instale el conducto flexible del artefacto en el adaptador abocinado en la válvula de cierre (Fig. 37).
- 7.) Después de hacer estas conexiones, verifique si hay fugas de gas. Abra el suministro de gas hacia la estufa y use un detector de fugas líquido en todas las juntas.
***Nota:** Asegúrese de usar los 2 adaptadores abocinados suministrados con el Juego de Conducto Flexible.

⚠ ADVERTENCIA No use una llama para verificar si hay fugas de gas.

Verificación de la Presión del Gas en el Colector

Desconecte la estufa y su válvula de cierre individual del sistema de tubería del suministro de gas cuando efectúe cualquier prueba de presión de ese sistema a presiones de prueba superiores a 14" de la presión en la columna de agua (aproximadamente 1/2 lb/pulg.²). La estufa debe aislarse del sistema de tubería del suministro de gas cerrando su válvula de cierre manual individual durante cualquier prueba de presión del sistema de tubería del suministro de gas a presiones de prueba iguales o inferiores a 14" de la presión en la columna de agua (aproximadamente 1/2 lb/pulg.²).

Si fuera necesario verificar la presión del gas en el colector, conecte un manómetro (columna de agua) u otro dispositivo para medir la presión en la tobera del quemador superior derecho trasero. Use una manguera de goma con un diámetro interior de aproximadamente 1/4" (0,63 cm) y mantenga la manguera bien apretada sobre la tobera. Abra la válvula del quemador. Para una verificación exacta de la presión, tenga por lo menos dos (2) de los quemadores superiores encendidos. Asegúrese de que la presión de suministro del gas (de admisión) sea por lo menos una (1) pulgada más alta que la presión especificada para el colector de la estufa. La presión del suministro de gas no debe ser superior a 14 pulgadas (columna de agua). Cuando está debidamente ajustada para gas natural, la presión en el colector es de 4". (Para G.L.P./gas propano, la presión en el colector es de 10".)

INSTRUCCIONES PARA LA INSTALACIÓN DEL GAS DUAL

Pasos de Instalación de la Estufa

F Lea los detalles de la conexión eléctrica indicados a continuación. Enchufe la estufa en el tomacorriente mural.

⚠ ADVERTENCIA Antes de reparar, desconecte el suministro eléctrico en el disyuntor, fusible o cordón eléctrico.

⚠ ADVERTENCIA ¡POR FAVOR LEA ATENTAMENTE! Para seguridad personal, esta estufa debe ser puesta a tierra de manera correcta.

G Deslice cuidadosamente la estufa hacia la abertura del gabinete

Deslice cuidadosamente la estufa hacia la abertura del gabinete a la vez que inserta el tornillo nivelador trasero en el SOPORTE ANTIVUELCO VERIFICANDO QUE QUEDE BIEN ENGANCHADO (Ver Fig. 26). Asegúrese de que el conducto flexible del artefacto (Fig. 18) y el cordón de alimentación (Fig. 20) quede plegado en el resto del área abierta del piso detrás de la gaveta de almacenamiento o gaveta calentadora de la estufa. **¡Asegúrese de que el conducto flexible de la estufa no quede aplastado o doblado!** Arregle de antemano la forma del conducto flexible del artefacto y el cordón de alimentación si es necesario para asegurar de que la estufa se deslice en forma debida hacia la abertura del gabinete. Asegúrese de verificar la nivelación de la estufa colocando un nivel horizontalmente en una de las parrillas del horno (Fig. 27).

H Instalación de las cabezas y tapas de los quemadores

Su estufa fué enviada con los cabezales y tapas de los quemadores ensamblados en el lugar correcto (Fig. 1).

Si necesita instalar de nuevo las tapas de los quemadores por favor refierase a la Guia de Uso y Cuidado para may or información.

RECUERDE — NO PERMITA QUE ENTREN DERRAMES, ALIMENTO, AGENTES DE LIMPIEZA NI NINGUN OTRO MATERIAL EN LA ABERTURA DEL PORTATOBERA.

Siempre mantenga las tapas de los quemadores y las cabezas de los quemadores en sus lugares cuando se usen los quemadores superiores

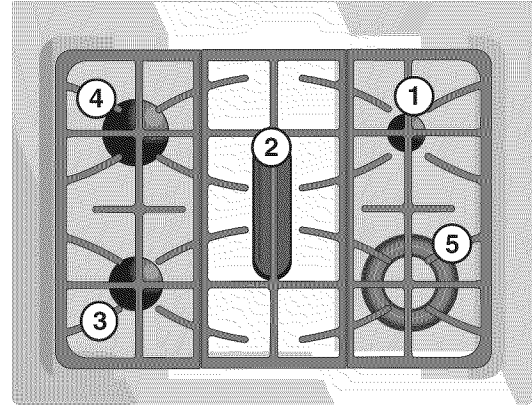
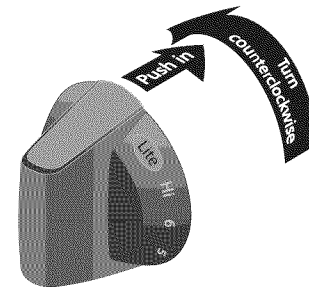


Fig. 38

1. Quemador de fuego lento perfecto™- 5,000 BTU.
2. Quemador puente de 9.500 BTU.
3. Quemadores estandar - 9,500 BTU.
4. Quemador grande- 14,000 BTU.
5. Quemador doble - 18,000 BTU (algunos modelos) o quemador grande- 16,000 BTU (algunos modelos).

Fig. 39



I Verifique el encendido eléctrico de los quemadores superiores..

Se debe revisar el funcionamiento de los encendedores eléctricos después de que la estufa y los conectores de la tubería de suministro han sido cuidadosamente revisados para verificar fugas y la estufa ha sido conectada a la energía eléctrica.

1. Para verificar el encendido adecuado, oprima y gire la perilla de un quemador superior a la izquierda a la posición 'LITE'. Usted oirá el ruido de las chispas del encendedor (Ver Fig. 41).
2. El quemador superior debe encenderse cuando llega gas al quemador superior. Purgue el aire de las tuberías de suministro dejando la perilla en la posición "LITE" hasta que el quemador se encienda. Todos los quemadores deben encenderse dentro de cuatro (4) segundos en funcionamiento normal después de que el aire ha sido purgado de la tubería de suministro.
3. Verifique visualmente si se encendió el quemador. Una vez que el quemador se enciende, la perilla de control debe ser girada para sacarla de la posición "LITE".
4. La estufa tiene electrodos (encendedores) separados para cada quemador. Pruebe cada perilla separadamente hasta que todas las válvulas de los quemadores hayan sido revisadas.

INSTRUCCIONES PARA LA INSTALACIÓN DEL GAS DUAL

J Regule el ajuste “LO” (BAJO) de la válvula del quemador superior (para válvulas de flujo lineal solamente)

Prueba para verificar si los ajustes de “LO or LOW” deben ser ajustados (posición frontal derecha SOLAMENTE):

1. Empuje hacia adentro y dele vuelta a la perilla hacia (lite) hasta que el quemador encienda.
2. Empuje hacia adentro rápidamente dele vueltas a la perilla a la POSICION MAS BAJA.
3. Si el quemador se apaga, resetee el control a OFF.
4. Remueva la perilla de control del quemador.
5. Utilice un desatornillador de hoja delgada y ajuste el tamaño de la llama intern con los tornillos derechos (Vea la Fig. 40). Ajuste el tamaño de la llama externa con el juego de tornillos bajos (Vea la Fig. 40). Dele vueltas en dirección contraria a las manijas del reloj para incrementar el tamaño de la llama. Dele vueltas en dirección a las manecillas de reloj para decrecer el tamaño de la llama.

Prueba para verificar si los ajustes de “LO or LOW” deben ser ajustador (todas las demas posiciones):

1. Siga los pasos a al d como se menciona arriba.
2. Inserte un desatornillador de hoja delgada dentro de la abertura de la valvula y una el tornillo adentro (Fig. 40) . El tamaño de la llama puede ser incrementado o decrecido con una vuelta del tornillo. Dele vueltas en dirección contraria a las manecillas del reloj para incrementar el tamaño de la llama. Dele vueltas en dirección a las manecillas del reloj para decrecer el tamaño de la llama.

K Después de haberse completado la instalación, asegúrese de que todos los controles fueron dejados en la posición “OFF” (APAGADO).

Cuidado, Limpieza y Mantenimiento

Consulte la Guía de Uso y Cuidado para las instrucciones de limpieza. Si es necesario sacar la estufa para limpieza o mantenimiento, cierre el suministro del gas. Desconecte el gas y el suministro eléctrico. Si el suministro del gas o el suministro eléctrico no son accesibles, levante ligeramente la estufa del frente y retírela de la pared. Retírela solamente hasta donde sea necesario para desconectar el gas y la electricidad. Termine de retirar la estufa para reparación y limpieza. Vuelva a instalar en el orden inverso asegurándose de nivelar la estufa y revisar las conexiones del gas para verificar si hay fugas. Ver en la página 3 de este documento las instrucciones para anclaje correcto del soporte antivuelco.

Ubicación del Número de Modelo y Número de Serie

La placa de serie está ubicada en la superficie derecha del marco delantero del horno en la gaveta de almacenamiento o calentamiento; o en el área del panel inferior (Ver Fig. 43).

Cuando haga pedidos de piezas para su estufa o haga consultas acerca de su estufa, siempre asegúrese de incluir el número de modelo y de serie y un número de lote o letra de la placa de identificación de su estufa. La placa de serie también provee información sobre la potencia nominal de los quemadores, el tipo de combustible y la presión a la cual fue ajustada la estufa al salir de la fábrica.

Antes de Hacer una Llamada de Servicio

Lea la sección “Antes de Solicitar Servicio” en su Guía de Uso y Cuidado. Puede ahorrarle tiempo y dinero. La lista incluye los incidentes más comunes que no son originados por la fabricación o materiales defectuosos en este artefacto. Consulte la garantía en su Guía de Uso y Cuidado para obtener nuestro número gratis de servicio y dirección. Por favor llame o escriba si usted tiene preguntas sobre su estufa y/o necesidad de hacer pedidos de piezas.

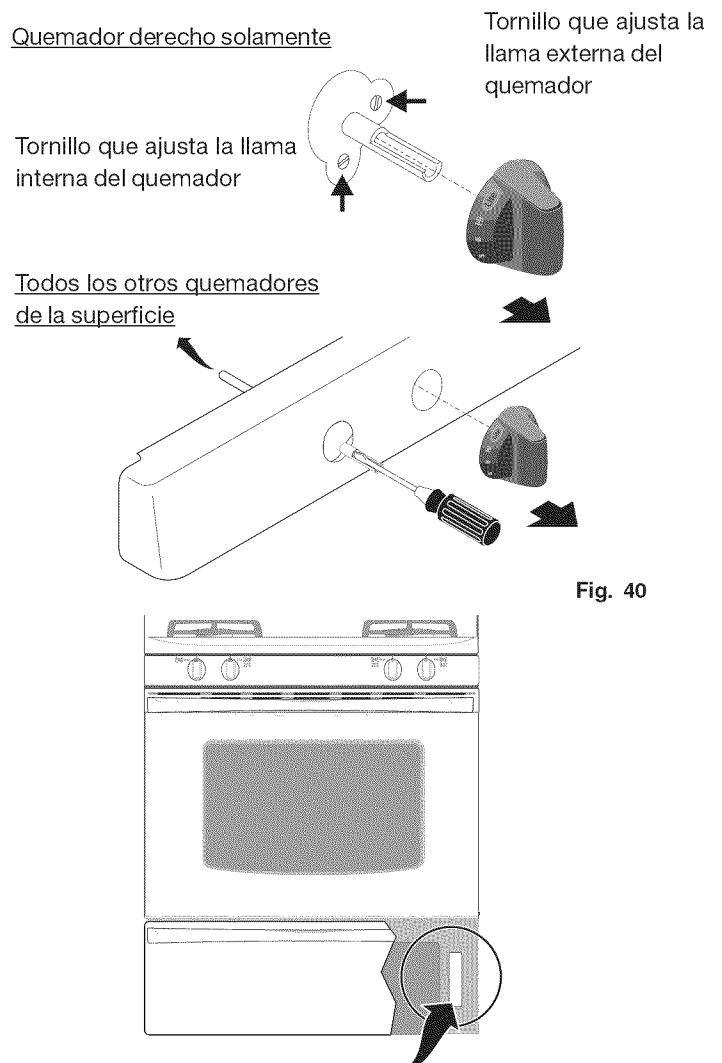


Fig. 40

Fig. 41 La placa de serie está ubicada en el costado derecho del marco delantero inferior del electrodoméstico.