

SAVE THIS MANUAL
FOR FUTURE REFERENCE

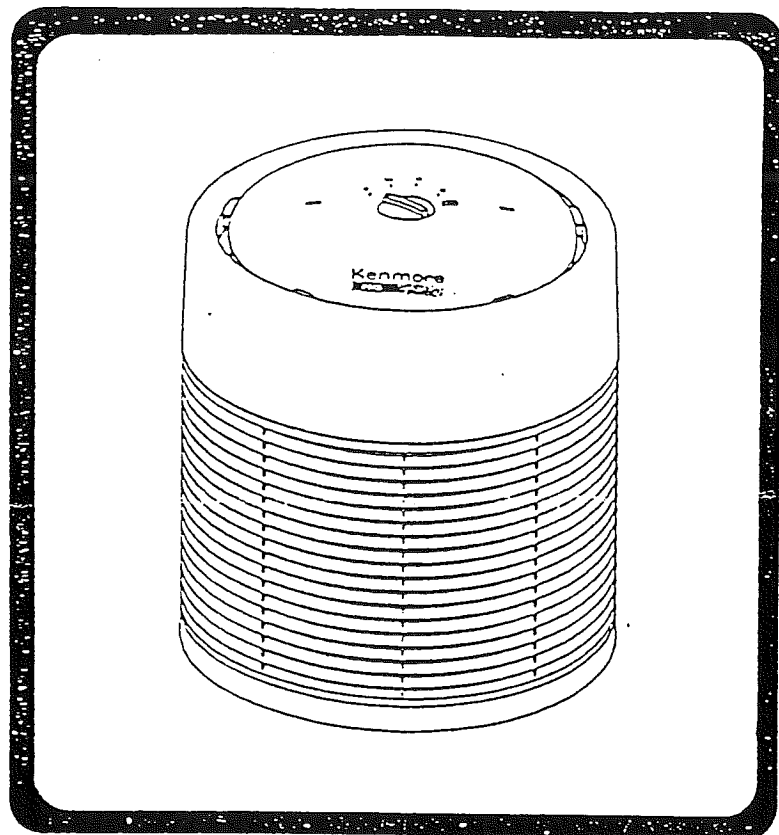
SEARS

**OWNERS
MANUAL**

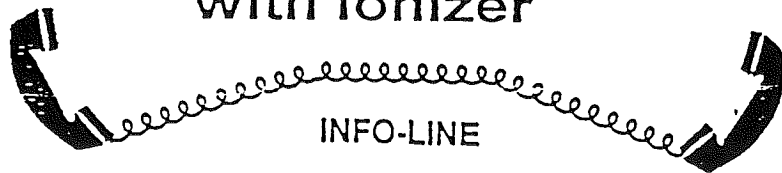
MODEL NO.
437.83153



**FOR YOUR
SAFETY:
READ ALL
INSTRUCTIONS
CAREFULLY**



Kenmore™
**HEPA SUPREME AIR
CLEANING SYSTEM**
with Ionizer



INFO-LINE

If, after having read this manual you
have any questions or comments on your
Air Cleaning System, call:

1-800-554 4558

- Operating Instructions
- Parts List

INTRODUCTION

Congratulations on your choice of the Kenmore *HEPA* Air Cleaning system. *HEPA* is an acronym for High Efficiency Particulate Air, which describes a fibrous media designed to remove 99.97% of particulates of 0.3 microns or larger in size. A micron is one millionth of a meter. For example, a human hair is approximately 100 microns in diameter, while pollen and plant spores are greater than 1 micron in diameter. Air pollution in all forms is detrimental to your health. Air pollution can and does exist in our homes. The Kenmore *HEPA* Air Cleaner has been designed to *thoroughly* clean the air which **WE CAN CONTROL**, the air within our homes. With your Kenmore *HEPA* Air Cleaning system, you can provide clean and healthy air to your family, air that is free of smoke, dust, pollen and other pollutants.

Dirty, dusty, smoke and pollen laden air is forced through our three stage filtering system and then passes through our IONIZER before it leaves the *HEPA* Air Cleaning System:

Stage 1 - Pre-Filter - Traps large particles like dust and pet hairs.

Stage 2 - Activated Carbon Filtration layer - Removes odors and harmful gases.

Stage 3 - *HEPA* Filter - The *Hepa* Filter will help remove the pollen and other airborne particulates that affect people who suffer with allergies and upper respiratory problems.

Electronic IONIZER - Prior to exiting the air cleaning system, the air is exposed to an IONIZER which places a negative charge on any remaining particulate. The negative charge given to these particulates enables them to be trapped by the system when they pass through again. A further benefit of the IONIZER is that it imparts to indoor air a sense of outdoor air "freshness".

This *HEPA* filter helps remove the pollen and other airborne particulates that affect people who suffer with allergies and upper respiratory problems.

We highly recommend that you utilize the Kenmore *HEPA* air cleaning system 24 hours each day to ensure that the air circulating through your room is continuously being cleaned and filtered.

GENERAL SAFETY INSTRUCTIONS

When using electrical appliances, basic precautions should always be followed to reduce the risk of fire, electrical shock and injury to persons, including the following:

1. Read all instructions before using air cleaner.
2. This product is equipped with a polarized alternating current line plug (a plug having one blade wider than the other). This plug will fit into the power outlet only one way. This is a **SAFETY FEATURE**, if you are unable to insert the plug fully into the outlet, try reversing the plug. If the plug should still fail to fit, contact an electrician to replace the obsolete outlet. **DO NOT** defeat the safety purpose of the polarized plug.
3. Always unplug the *HEPA* Air Cleaner when not in use.
4. Do not operate the *HEPA* Air Cleaner with a damaged cord or plug or after the Air Cleaner malfunctions, has been dropped or damaged in any manner. Return to SEARS for examination, electrical or mechanical adjustment or repair.
5. Do not run power cord under carpeting. Do not cover cord with throw rugs, runners or the like. Arrange the power cord away from traffic areas, so it will not become a tripping hazard.
6. Unplug the *HEPA* Air Cleaner prior to moving, cleaning or changing the replacement filters.
7. **DO NOT** place any foreign objects inside the Air Cleaner ~~because~~ an electric shock and injury could occur.
8. Never operate the *HEPA* Air Cleaner unless it is fully assembled.
9. Do not use this product outdoors.
10. Do not use the *HEPA* Air Cleaner in areas where combustible gases or vapors are present.
11. Do not block air intake or air outlets by placing air cleaner on soft surfaces such as bedding or sofas.
12. Locate the *HEPA* Air Cleaner near a power outlet and avoid using an extension cord.
13. **SAVE THESE IMPORTANT INSTRUCTIONS.**

Kenmore™

AIR CLEANER

FULL ONE YEAR WARRANTY

If, within one (1) year from the date of purchase, this *HEPA* Air Cleaner fails due to a defect in material or workmanship, we will repair or replace it free of charge.

This warranty service is available by simply returning the air cleaner to the nearest Sears Service Center/Department throughout the United States and Canada.

This warranty applies only while this product is in use in the United States or Canada.

This warranty gives you specific legal rights and you may also have other rights which may vary from state to state.

This warranty **DOES NOT** cover the replacement air filters.

Sears, Roebuck and Co. Dept. 817WA, Hoffman Estates, IL
60179

MODEL NO.
437.83153

The model number may be found on the HEPA Filter Air Cleaning System Identification label. Always mention the model number when requesting service or replacement parts.

Sears, Roebuck and Co., Hoffman Estates, IL 60179 U.S.A.

GET TO KNOW YOUR KENMORE HEPA 83153 AIR CLEANER

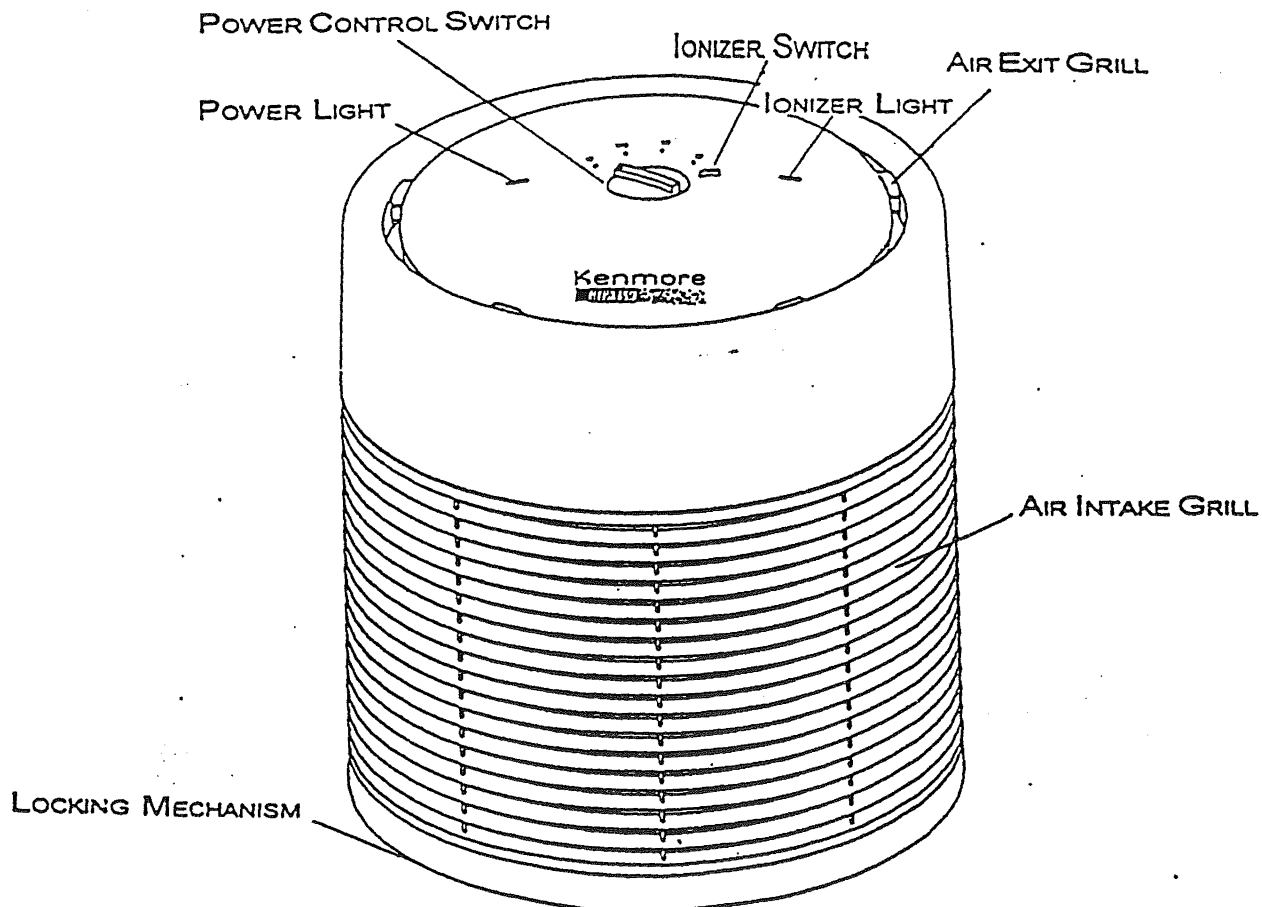
AIR INTAKE GRILL - Dirty air is drawn into the Kenmore HEPA Air Cleaner

IONIZER CONTROL SWITCH - Turns the internal IONIZER ON and OFF.

AIR EXIT GRILL - After the air has been cleaned by the HEPA filter it is dispersed back into the room through the EXIT GRILL.

LOCKING MECHANISM - Locking device that allows easy access for changing the pre-filter and HEPA filter.

POWER CONTROL SWITCH - turns the air cleaner ON and OFF and controls the volume of air moving through the HEPA cleaning system.



SET-UP

Visually inspect the HEPA Air Cleaner upon removing the unit from its box. Remove and discard any packaging material. Return the unit if it shows any signs of damage or mishandling. This unit was thoroughly inspected and tested at the factory prior to packaging.

ELECTRICAL HOOK-UP

Plug the air cleaner into a polarized 120 Volt AC. wall outlet.

WARNING

To avoid fire or shock hazard, the HEPA air cleaner should only be plugged into a polarized 120 Volt AC. outlet.

OPERATION

Adjust the power/control switch to the desired output setting:

SUPER - Fast initial cleaning
HIGH - Daytime operation - fast fan speed
LOW - Night-time quieter operation

Turn IONIZER switch ON.

CLEANING

NOTE: PRIOR TO ANY CLEANING OPERATION, THE HEPA AIR CLEANER MUST BE TURNED OFF AND UNPLUGGED FROM THE POWER OUTLET.

Clean the HEPA air cleaner's external surfaces with a moistened soft cloth only. Do Not Directly Wet With Water Or Any Abrasive Type Cleaner. Clean all external surfaces especially the Air Intake and Exit grills.

CAUTION Never operate the HEPA air cleaner without the HEPA filter properly installed. permanent motor damage could result.

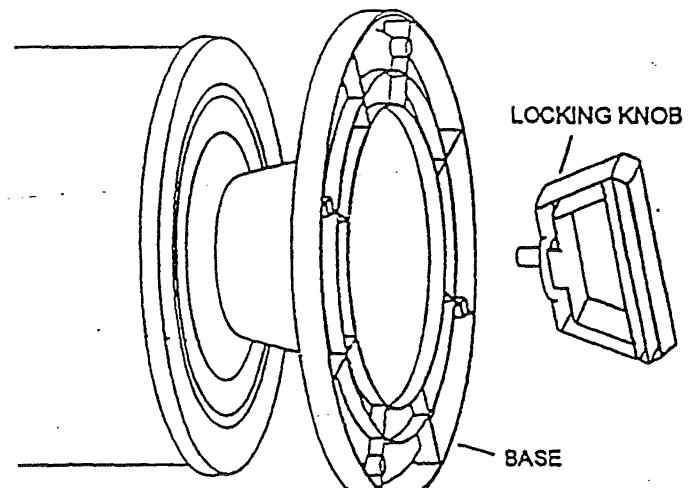
FILTER CARTRIDGE REPLACEMENT

Step 1

Turn the HEPA Air Cleaner OFF and unplug the unit from the power outlet.

Step 2

To open, gently place the air cleaner on it's side. Unscrew the LOCKING HANDLE to release the BASE from the air cleaner.



Step 3

Remove the BASE assembly from the air cleaner.

Steps 4, 5 & 6 - Replacing the carbon impregnated pre-filter (Item #83155).

Step 4

Remove the Filter Assembly (consisting of the HEPA filter and pre filter) from the Power Head.

Step 5

Locate the seam of the pre-filter and carefully separate the pre-filter from the strap fastener and remove from the HEPA filter.

Step 6

Remove any plastic protective wrapping from the new pre-filter prior to insertion into the HEPA Air Cleaner.

Secure approximately 1/2 inch of the strap fastener to one edge of the carbon side of the pre-filter. Carefully wrap the new pre-filter around the HEPA filter and secure it to the strap fastener. Once fastened the white side of the pre-filter should be exposed to view. If the HEPA filter does not need replacing, proceed to step 9.

Step 7, 8 & 9 - Changing the HEPA filter (Item #83154)

Step 7

The pre-filter must be replaced when the HEPA filter is replaced. Remove and discard pre-filter (follow instruction Steps 1 - 5). Next remove and discard the used HEPA filter assembly.

NOTE: These specially designed, maximum performance filters are made for easy replacement. **THEY ARE NOT WASHABLE.**

Step 8

Remove any protective plastic wrapping from the new HEPA filter. Follow the instructions in Step 6 to secure the new pre-filter around the HEPA filter.

Step 9

Place the Filter Assembly (pre-filter plus HEPA filter) into the POWER HEAD and install the Base.

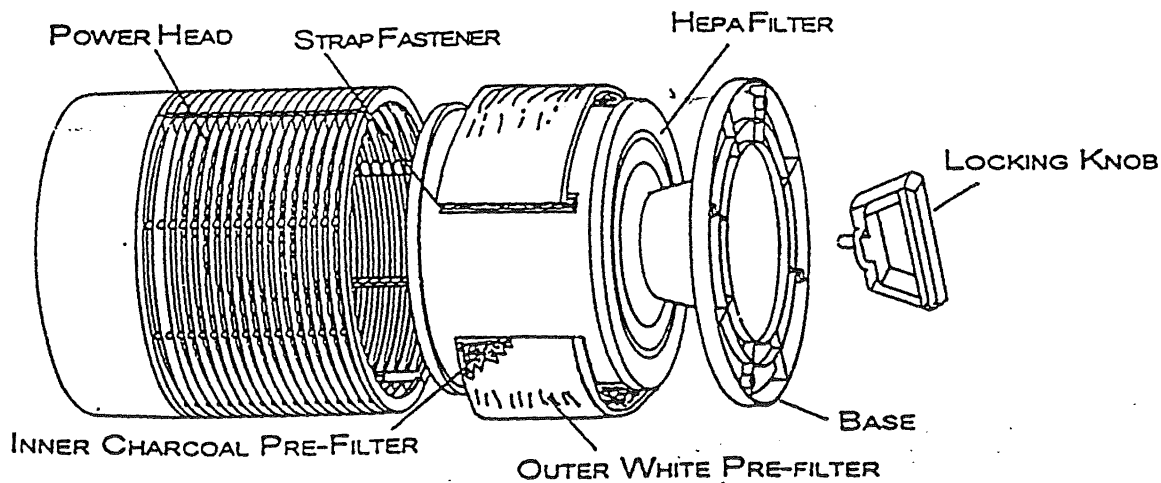
NOTE: The HEPA filter has no special top-to-bottom orientation. It will fit easily from either end into the Power Head.

Step 10

Once the filter assembly is correctly inserted, lock the Base into place by replacing and tightening the Locking Handle securely.

Step 11

Turn the HEPA AIR CLEANER upright and it is ready for operation.



NOTE: The strap fastener should be attached to the inner carbon side of the pre-filter assembly.

FILTER CHANGE SCHEDULE

PRE-FILTER (Item #83155)

The pre-filter should be changed every 3 months or sooner depending upon the frequency of air cleaner use and the level of room air contaminants. Judgements should be based upon the odor absorbing ability of the filter.

TECHNICAL SPECIFICATIONS

Dimensions:

Diameter	12.5 inches	31.8 cm
Height	13.5 inches	34.3 cm
Weight:	12 lbs.	5.45 kgs.
Input Voltage:	120 Volts AC	60 Hz
Power Consumption:		135 Watts

NOTE: This Air Cleaner has the capability of exchanging the air in a typical room of 16' x 20' with a standard 8' high ceiling approximately 3 times every hour on SUPER.

Sears reserves the right to change or modify any specifications without any notice.

HEPA FILTER (Item #83154)

The usable lifetime of the HEPA filter is 3 - 5 years depending upon the level of the rooms air contaminants and the frequency of use. The air volume output will begin to decrease dramatically when the filter needs to be changed. Keep a spare filter on hand for changing when needed.

NOTE: There are no consumer serviceable parts inside this Air Cleaner. If you experience any problem, please see the warranty for information. Please **DO NOT** attempt to repair this unit yourself, doing so will void your warranty and could cause damage to the HEPA Air Cleaner or personal injury. If you have any questions concerning this appliance, call toll free:

1-800-554-4558

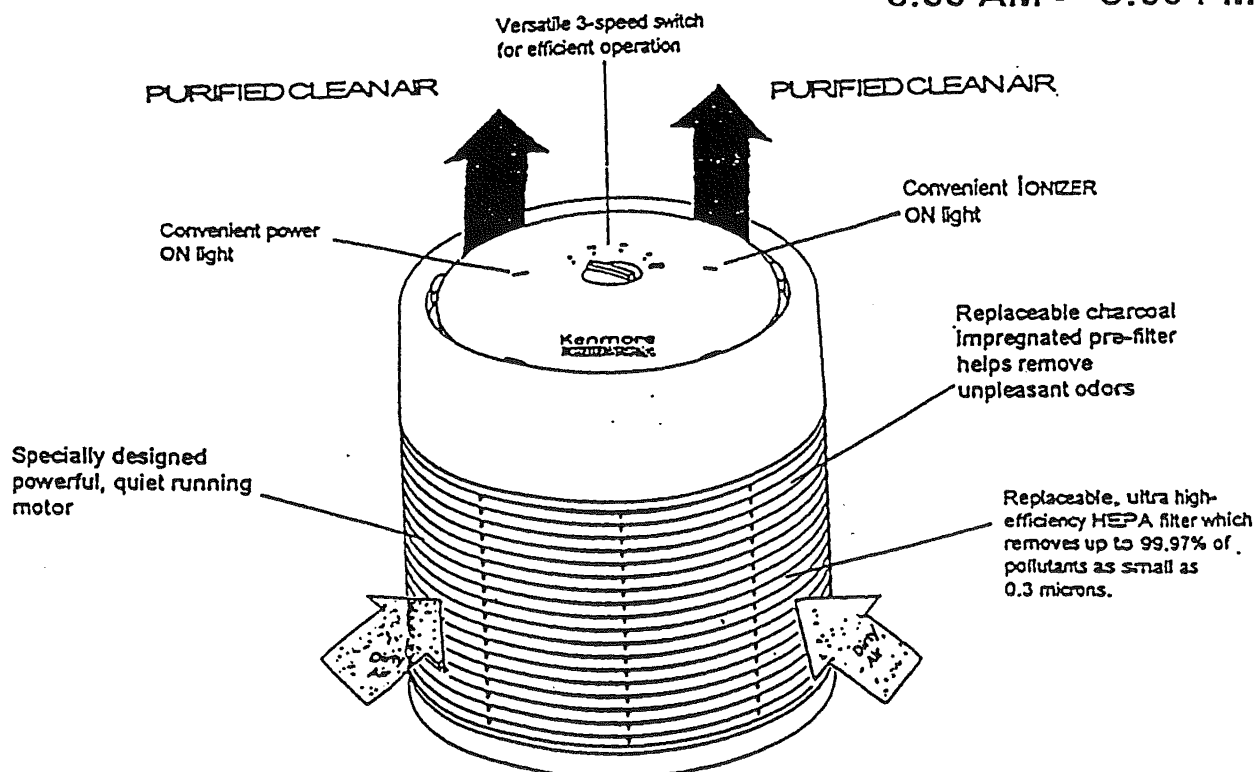
HOURS OF CUSTOMER SERVICE OPERATION

Mon. - Fri.

8:00 AM - 10:00 PM (EST)

Sat. & Sun.

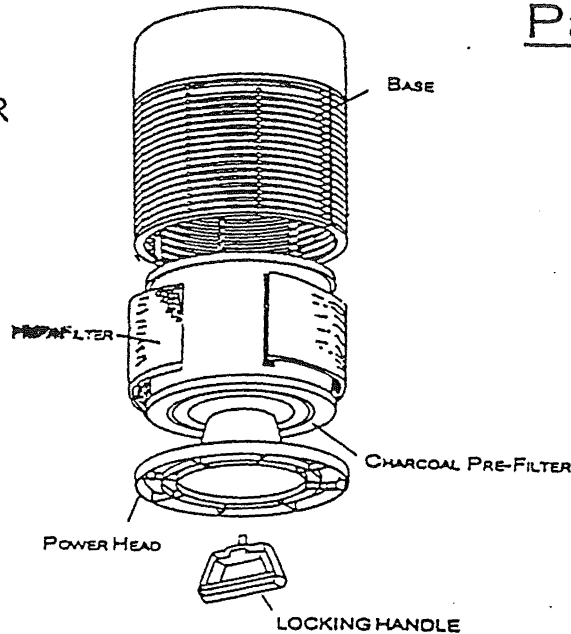
8:30 AM - 5:00 PM (EST)



REPLACEMENT PARTS

Part Description

CHARCOAL PRE-FILTER
HEPA FILTER
POWER HEAD
BASE
LOCKING HANDLE



Part No.

83155
83154
83153-1
83153-2
83153-3

HOW TO ORDER REPLACEMENT PARTS

When ordering replacement parts always give the following information:

1. Part Number (See replacement Parts List)
2. Part Description (See replacement Parts List)
3. Model Number: 437.85153
4. Name of item: Hepa Air Cleaner with Ionizer

All replacement parts listed may be ordered from any Sears Service Center. If the parts you need are stocked locally, your order will be electronically transmitted to a Sears Repair Parts Distribution Center for handling.

To order parts by phone, please call Sears Parts Department at:

1-800-FON-PART