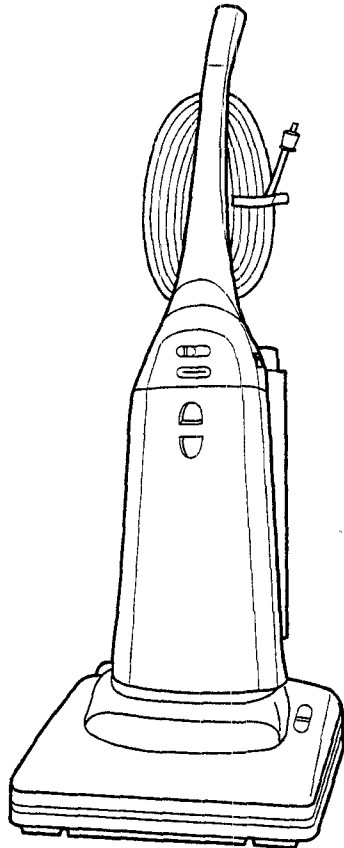


OPERATION MANUAL



VACUUM CLEANER

Model

EC-14TWT6

EC-14TAT6

EC-12TWT6

EC-12TWT4

EC-12TWT2

EC-12TXT2

EC-12SXT4B

CONTENTS

PAGE

- IMPORTANT SAFETY INSTRUCTIONS ...2
- PARTS IDENTIFICATION4
- SPECIFICATIONS4
- OPERATING INSTRUCTIONS5
- MAINTENANCE INSTRUCTIONS8
- REPLACEMENT INSTRUCTIONS 10
- BEFORE REQUESTING SERVICE14
- DESCRIPTION OF ACCESSORIES ...15
- LIMITED WARRANTY16

Thank you very much for buying SHARP
Before using your SHARP vacuum cleaner,
please read this operation manual carefully to
obtain the best use from your vacuum cleaner.

IMPORTANT SAFETY INSTRUCTIONS

When using an electrical vacuum cleaner, basic precautions should always be followed including the following:

Read all instructions carefully before using this vacuum cleaner.

WARNING/ To reduce the risk of fire, electric shock, or injury:

- 1** Electric shock could occur if used outdoors or on wet surfaces.
- 2** Do not leave unattended when plugged in. Unplug from outlet when not in use and before user-servicing.
- 3** Close supervision is necessary when used by or near children. Do not allow to be used as a toy.
- 4** Use only for intended use as described in this manual. Use only the manufacturer's recommended attachments and paper bag.
- 5** Never operate this vacuum cleaner if it has a damaged cord or plug, if it is not working properly, if it has been dropped, damaged, exposed to weather or dropped into water.
Return the vacuum cleaner to a Sharp Authorized Service Dealer or Station in the United States for examination and repair.
- 6** Do not pull or carry this vacuum cleaner by the power cord. Do not use the power cord as a handle, close a door on the cord, or pull the cord around sharp edges or corners. Keep cord away from heated surfaces. Do not run this vacuum cleaner over the cord.
- 7** Never disconnect the plug by pulling on the cord. To disconnect from an outlet, grasp the plug, not the cord.
- 8** Never operate this vacuum cleaner with any air opening blocked. Keep the air openings free of dust, lint, hair and any other similar material. When the secondary filter becomes dirty, rinse in warm water. Filters should be completely dry before reusing.
- 9** Never drop or insert any object into any opening.
- 10** Keep hair, face, fingers and loose clothing away from any openings, such as the agitator and all moving parts.
- 11** Do not pick up lit cigarettes, hot ashes, matches or similar materials, razor blades, needles, pins or other sharp objects.
- 12** Never operate this vacuum cleaner without a paper bag and filters in place.
- 13** Before removing the plug from the outlet, turn all controls to the "OFF" position.

- 14** Use extra caution when cleaning on stairs.
- 15** Never handle plug, cord or vacuum cleaner with wet hands.
- 16** Do not touch the agitator while it is rotating.
- 17** Do not use in presence of flammable or combustible liquids or fumes.
- 18** Do not place heavy objects on the vacuum cleaner.
- 19** Do not step on the hose or pull the hose forcibly.
- 20** Do not pick up large objects such as waste paper or cloth which may clog the hose.
- 21** Do not expose this vacuum cleaner to high temperatures while operating or during storage.
- 22** Store this vacuum cleaner in a dry place.
- 23** Use the carrying handle at the back of the body to carry this vacuum cleaner.
- 24** Before servicing this vacuum cleaner, allow all metal parts to cool first.

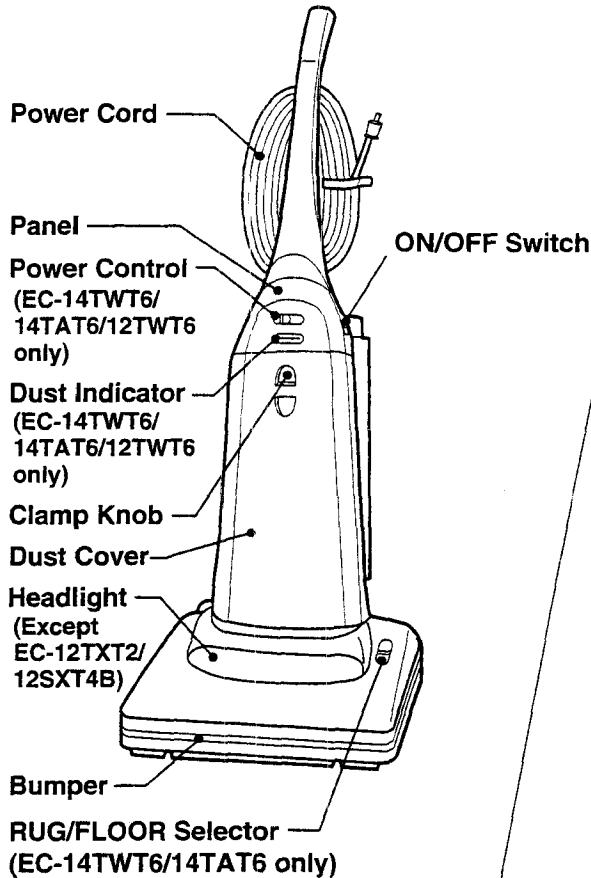
CAUTION: To reduce the risk of electric shock, this vacuum cleaner has a polarized plug (one blade is wider than the other). This plug will fit in a polarized outlet only one way. If the plug does not fit fully in the outlet, reverse the plug. If it still does not fit, contact a qualified electrician to install the proper outlet. Do not change the plug in any way.

SAVE THESE INSTRUCTIONS

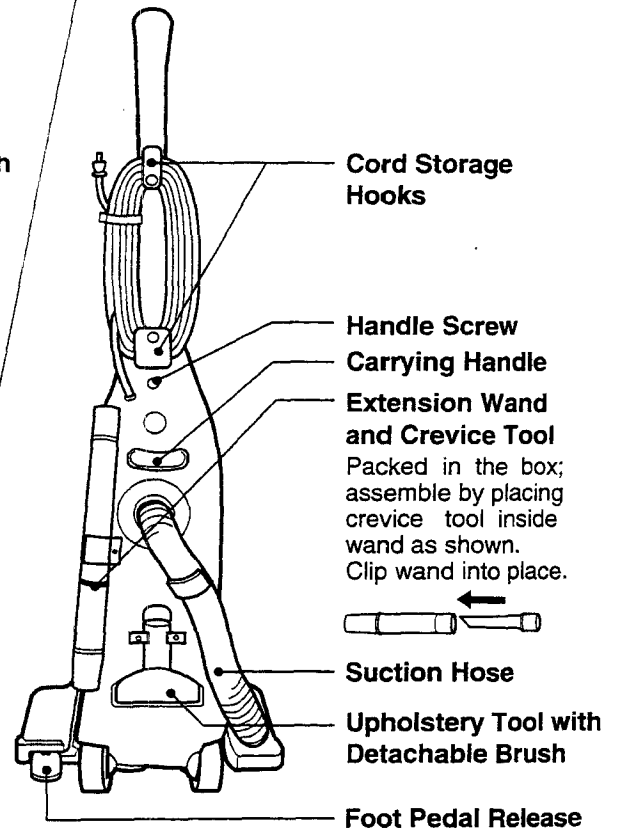
This vacuum cleaner is intended for household use only.

PARTS IDENTIFICATION

FRONT



REAR



SPECIFICATIONS

| FEATURES MODEL | INPUT (Amp) | POWER CONTROL | HEADLIGHT | DUST INDICATOR | CORD LENGTH (Ft.) |
|-------------------|----------------|------------------|-----------|-------------------|----------------------|
| EC-14TWT6 | 12.0 | YES | YES | YES | 30 |
| EC-14TAT6 | 12.0 | YES | YES | YES | 30 |
| EC-12TWT6 | 12.0 | YES | YES | YES | 24 |
| EC-12TWT4 | 12.0 | NO | YES | NO | 24 |
| EC-12TWT2 | 10.0 | NO | YES | NO | 21 |
| EC-12TXT2 | 9.0 | NO | NO | NO | 18 |
| EC-12SXT4B | 8.5 | NO | NO | NO | 18 |

WARNING:

Operate vacuum cleaner only at the voltage specified on nameplate.

OPERATING INSTRUCTIONS

HOW TO ATTACH THE HANDLE TO VACUUM CLEANER

- 1 First remove the handle screw. Then insert the base of the handle into the top of the body of the vacuum cleaner as shown. (Fig. 1)

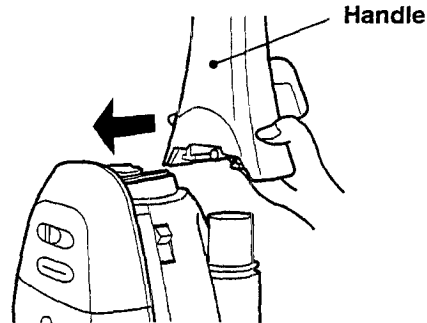
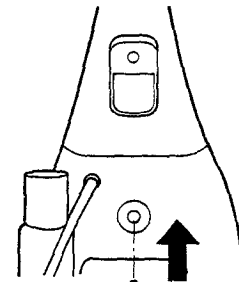


Fig.1

- 2 Line up the small hole on the handle with the small hole on the rear of the vacuum cleaner and insert the screw. (Fig. 2) Be sure the screw is tightened securely.



Handle screw

Fig.2

HOW TO WIND POWER CORD

- 1 Insert the power cord in the clip located on the upper cord storage hook as shown. (Fig. 3)

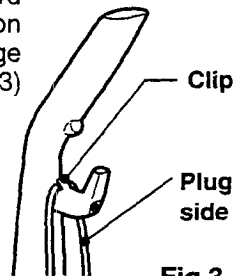


Fig.3

- 2 Wrap excess cord around the cord storage hooks to prevent dragging and any interference with cleaning. (Fig. 4)

Upper cord storage hook

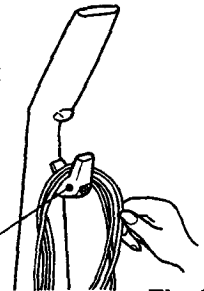


Fig.4

HOW TO RELEASE POWER CORD

Rotate the upper cord storage hook downward for quick cord release. (Fig.5)

Upper cord storage hook

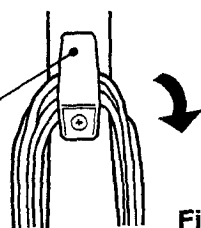


Fig.5

OPERATING INSTRUCTIONS

ON/OFF SWITCH

- 1 To turn on the vacuum cleaner, touch the switch on the appliance to the "ON" position. (Fig. 6)
- 2 To turn off the vacuum cleaner, touch the switch to the "OFF" position. (Fig. 7)

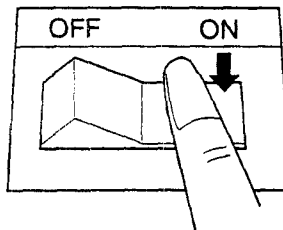


Fig.6

POWER CONTROL SWITCH (EC-14TWT6/14TAT6/12TWT6 only)

A slide switch allows selection of any cleaning power from low "L" to high "H". To increase the suction power, slide the switch toward the "H" position. To decrease the suction power, slide the switch toward the the "L" position. (Fig. 7)

HIGH:

Greatest suction power for heavy vacuuming jobs. Medium power levels may be set between "H" and "L".

LOW:

Low suction power for delicate cleaning jobs.

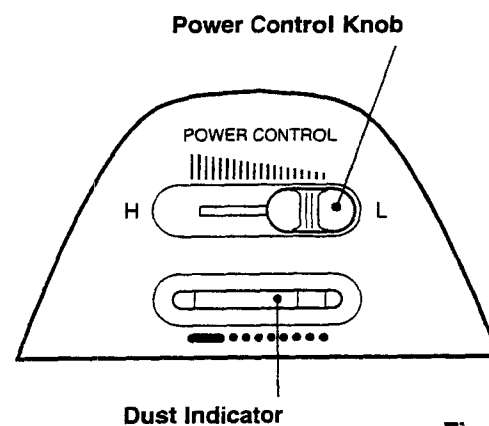


Fig. 7

DUST INDICATOR (EC-14TWT6/14TAT6/12TWT6 only)

When the indicator enters the red area, replace the full paper bag with a new genuine Sharp TWIN PLY™ Micro-Filtration paper bag. (Fig. 8)

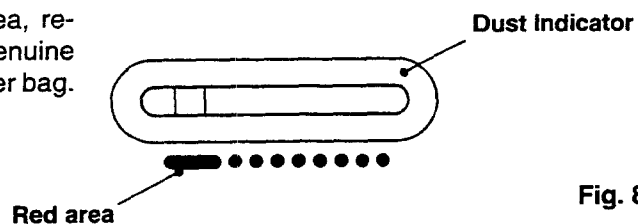


Fig. 8

NOTE:

- ① If the vacuum cleaner takes in excessive amounts of fine dust, the indicator may enter the red area even if the paper bag is not filled.
 - ② If the vacuum cleaner takes in excessive amounts of fiber (thread, cottony material etc.), the indicator may not enter the red area even if the paper bag is filled.
- Should either of the above occur, it is recommended that the paper bag be replaced with a Sharp TWIN PLY™ new paper bag.

RUG / FLOOR SELECTOR (EC-14TWT6/14TAT6 only)

The RUG / FLOOR selector should only be adjusted while the vacuum cleaner is in the "ON" and in the upright position.

- 1 When cleaning carpets, slide the selector to the "RUG" position.
- 2 When cleaning bare floors, slide the selector to the "FLOOR" position. (Fig. 9)

NOTE:

Make sure The RUG / FLOOR selector is set to either the extreme front or the extreme back to avoid any problems that may occur.

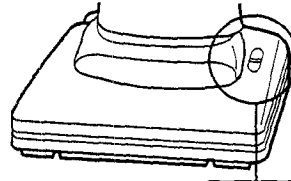
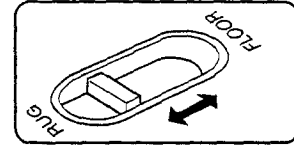


Fig. 9



HOW TO ADJUST THE HANDLE

The handle of this vacuum cleaner can be set to either of three positions-Upright, Normal or Parallel.

To release the handle, depress the pedal at the left rear corner of the vacuum cleaner. (Fig. 10)

Upright position

Normally the handle is locked in this position for storage or when using the On Board Tools. By pushing the handle forward until the handle is locked, this vacuum cleaner will stand on its legs and wheels. (Fig. 11)

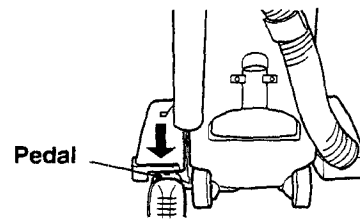
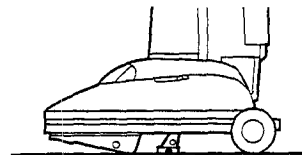


Fig. 10



Legs

Fig. 11

Normal position

This position is used for normal cleaning. (Fig. 12)

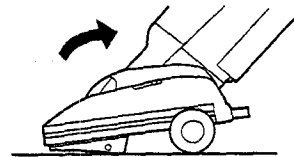


Fig. 12

Parallel position

This position is used for cleaning under furniture.

To get to the Parallel position, depress the pedal again. (Fig. 13)

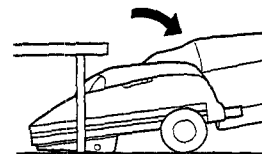


Fig. 13

EDGE CLEANING

This model has "Edge Cleaning" for the cleaning of carpet edges near baseboards and stationary furniture. (EC-14TWT6 and 14TAT6 have edge cleaning with brush.)

MAINTENANCE INSTRUCTIONS

Unplug this vacuum cleaner from the electrical outlet before servicing.

HOW TO CHANGE THE PAPER BAG

When operating the vacuum cleaner, always use genuine Sharp TWIN PLY™ Micro-Filtration paper bags.

- 1 Push down on the clamp knob located on the top of the dust cover and pull the dust cover forward. (Away from the unit.) (Fig. 14)

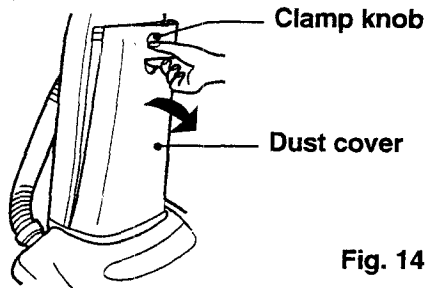


Fig. 14

- 2 To remove the paper bag, grasp the collar on the bag and pull it out. (Fig. 15)

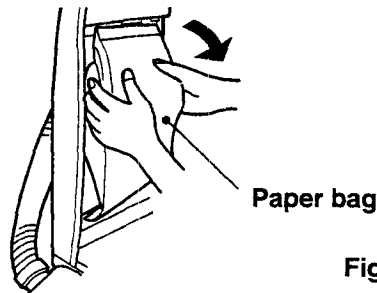


Fig. 15

- 3 Insert the new bag by pressing the collar opening completely around the suction inlet. (Fig. 16)

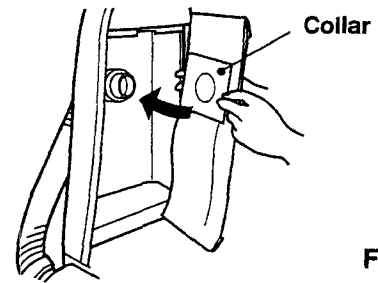


Fig. 16

- 4 Spread out the sides of the new bag. (Fig. 17)

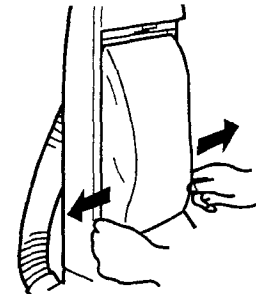


Fig. 17

HOW TO CHANGE THE SECONDARY FILTER

The secondary filter consists of an electrostatic micron filter and subfilter. The filter should be replaced at least every 10 months to keep the micron filter highly efficient. (EC-14TWT6/14TAT6/12TWT6/12TWT4 only)

When the secondary filter becomes excessively soiled, wash with water and replace after it is completely dried. (EC-12TWT2/12TXT2/12SXT4B only)

- 1 First unplug the vacuum cleaner from the electrical outlet. Remove the secondary filter from the bottom of the paper bag compartment (Fig. 18) by lifting it out from under the retaining lip as shown.
- 2 Install the new filter as shown in Fig. 19.
- 3 Make sure that the secondary filter is in place before vacuuming.

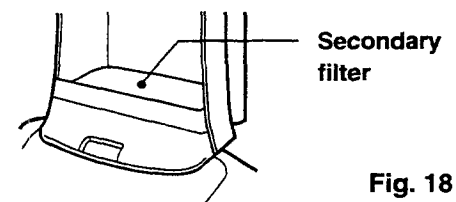


Fig. 18

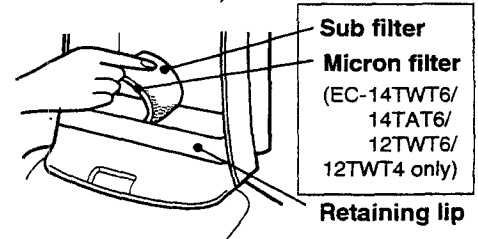


Fig. 19

HOW TO CLEAN THE SUCTION HOSE

When a clog occurs:

- 1** Unplug the vacuum cleaner from the electrical outlet, place the vacuum cleaner in the Upright position.
- 2** Hold the connection tube of the suction hose in one hand and the handle in the other. Then pull out the connection tube from the suction pipe of the nozzle head.(Fig. 20)
- 3** Remove the clog carefully without damaging the suction hose.
- 4** After the clog is removed, insert the suction hose into the suction pipe and turn on the vacuum cleaner to check that the clog has been removed.

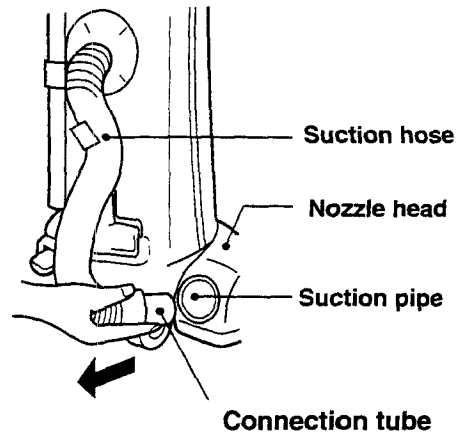


Fig. 20

REPLACEMENT INSTRUCTIONS

HOW TO REMOVE THE BOTTOM PLATE

Before replacing any parts, unplug the vacuum cleaner from the electrical outlet. To replace any of the following parts, set the handle to the Parallel position.

Then turn the vacuum cleaner over, exposing the underside.

Loosen the bottom plate by sliding the latch away from the mounting screw. (Fig. 21)

Then remove the bottom plate.

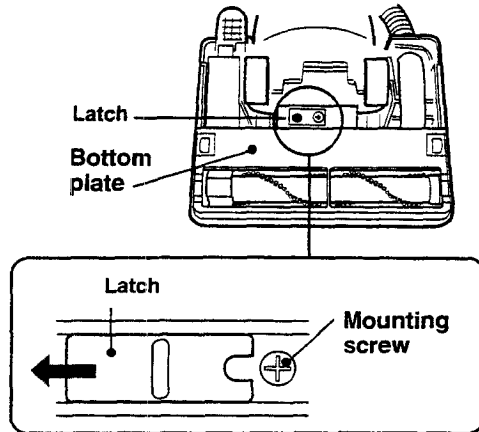


Fig. 21

HOW TO REPLACE THE HEADLIGHT LAMP

(EC-14TWT6/14TAT6/12TWT6/
12TWT4/12TWT2 only)

1 Remove the headlight mounting screws. (Fig. 22)

2 Note the arrangement of the lead wires and then carefully lift out the headlight assembly. (Fig. 23)

3 Remove the lamp from the socket by pushing in gently and turning it counterclockwise. (Fig. 23a)

4 Install the new lamp by pushing it gently into the socket and turning clockwise. (Fig. 23b)

Use any standard bayonet base vacuum cleaner lamp rated 125V, 20W.

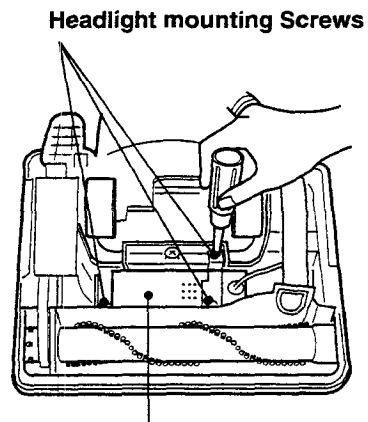


Fig. 22

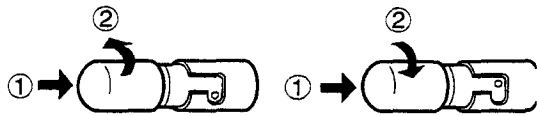


Fig. 23a

Fig. 23b

5 Reinsert the headlight assembly. Secure it with the mounting screws.

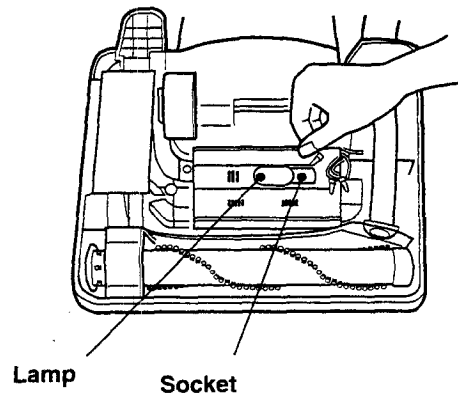
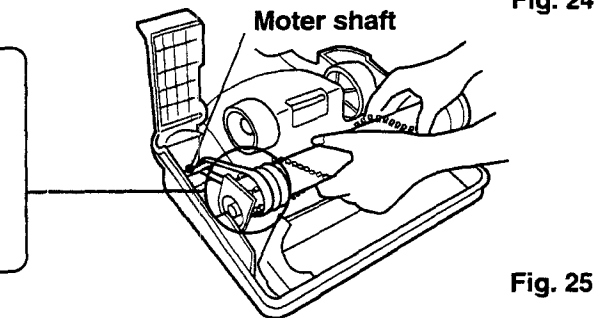
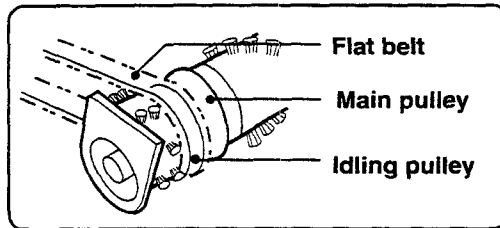
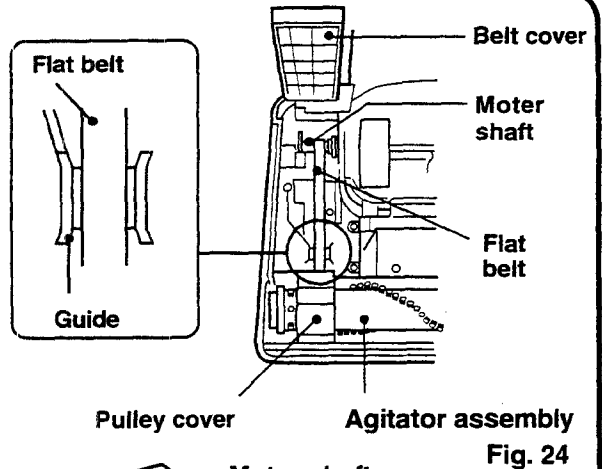


Fig. 23

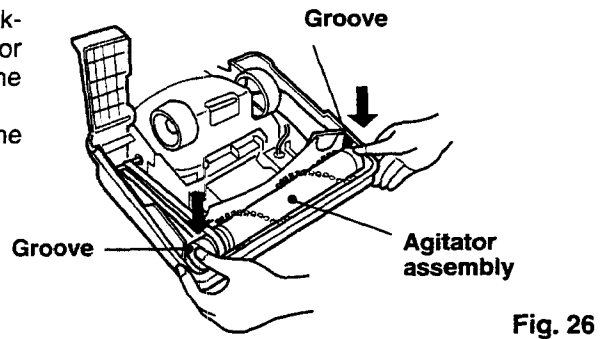
HOW TO REPLACE THE BELT (EC-14TWT6/14TAT6 only)

When replacing the belt, always set the RUG/FLOOR Selector to the "FLOOR" position.

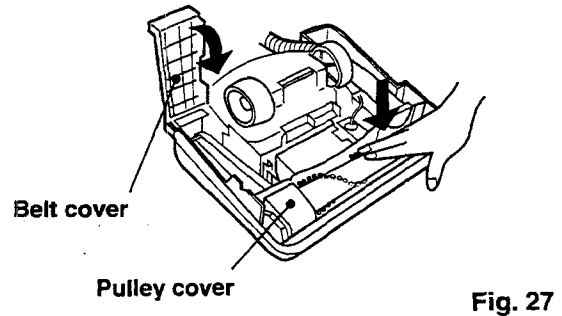
- 1 After removing the bottom plate, lift up the belt cover and remove the pulley cover to determine if the belt is worn or broken. (Fig. 24)
- 2 If the flat belt is worn or broken, pull out the agitator and then remove the flat belt from the motor shaft and the agitator pulley.
- 3 Loop the new belt around the motor shaft and then loop it around the idling pulley. (Fig. 25)



- 4 Then reinsert the agitator assembly, making sure that both ends of the agitator assembly are fitted into the groove of the nozzle head. (Fig. 26)
Be sure to install the new flat belt into the guide properly. (Fig. 24)



- 5 Be sure that the flat belt is not twisted and all rotating parts move smoothly. (Fig. 27)
- 6 After reinstalling the pulley cover, close the belt cover and replace the bottom plate.



REPLACEMENT INSTRUCTIONS

HOW TO REPLACE THE BELT (EC-12TWT6/12TWT4/12TWT2/12TXT2/12SXT4B only)

- 1 After removing the bottom plate, lift up the belt cover and remove the shelter plate. (Fig. 28)
- 2 Pull out the agitator and then remove the flat belt from the motor shaft and the agitator pulley.
- 3 Loop the new belt around the motor shaft and then loop it around the agitator pulley. (Fig. 29)
- 4 Reinsert the agitator assembly, making sure that both ends of the agitator assembly fit in the groove of the unit.
- 5 Be sure that the belt is not twisted and all rotating parts move smoothly.
- 6 Install the shelter plate completely in the groove with the marking of R side toward the belt cover. ("R" means "Rear".)
- 7 After reinstalling the shelter plate, close the belt cover, then replace the bottom plate.

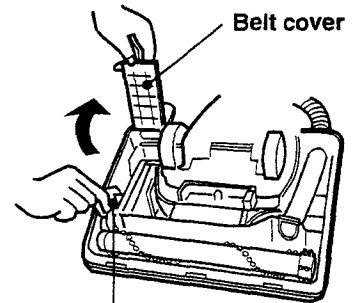


Fig. 28

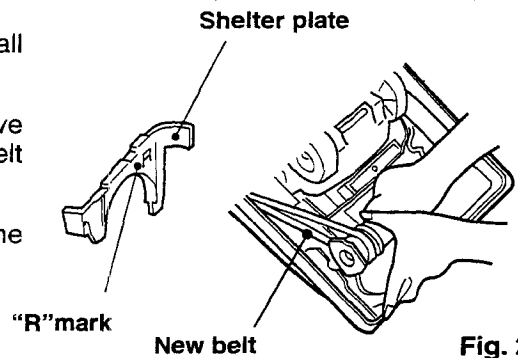


Fig. 29

HOW TO REPLACE THE BOTTOM PLATE

When replacing the bottom plate, make sure that all the parts are properly set and the wires are not pinched.

- 1 Insert the front six tabs of the bottom plate into the grooves at the front end of the nozzle head, then reset the bottom plate. (Fig. 30)
- 2 Fasten it by sliding the latch as shown. (Fig. 31)

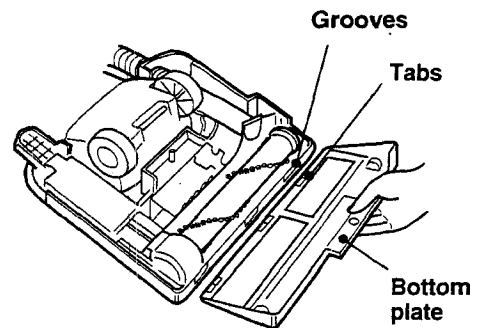


Fig. 30

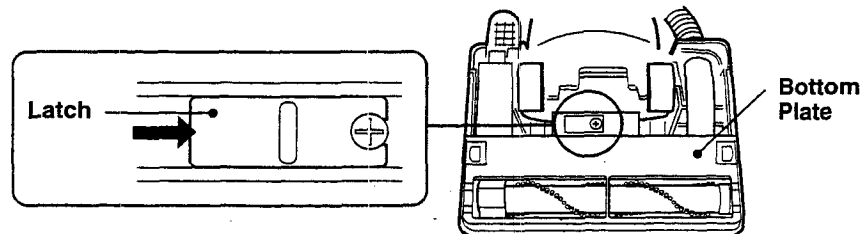
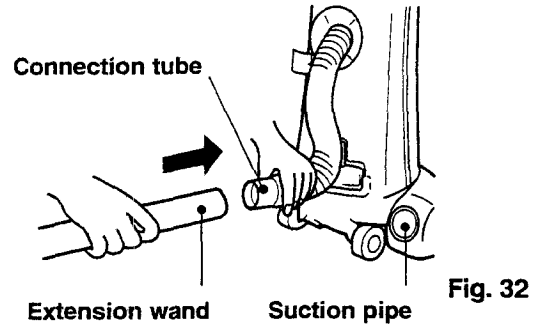


Fig. 31

HOW TO USE THE ON BOARD TOOLS

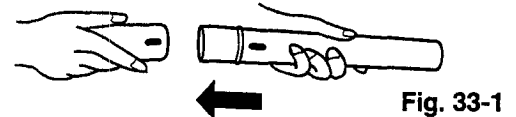
Place the vacuum cleaner in the Upright position.

- 1 Hold the connection tube of the suction hose in one hand and the handle in the other. Then pull out the connection tube from the suction pipe. Then use the On Board Tools (Fig. 32)
- 2 Then select the tool best suited for the cleaning task from the descriptions below.



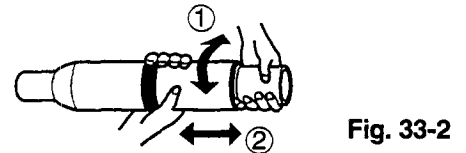
Extension wand (Models: EC-12TWT4/12TWT2/12TXT2/12SXT4B)

For reaching cellings,curtains,etc.(Fig.36)
When connecting two wands, meet the illustrated mark each other .(Fig.33-1)



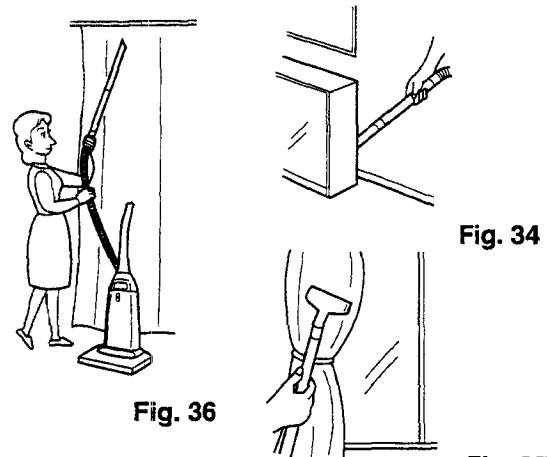
Telescopic wand (Models: EC-14TWT6/14TAT6/12TWT6)

For reaching cellings,curtains,etc.(Fig.36)
① Turn the wand to unlock; wand will turn freely.
② Extend the wand to its full length. Then turn the wand to lock.(Fig.33-2)



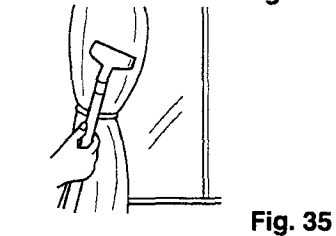
Crevice tool

For door tracks, narrow spots, etc.(Fig.34)



Combination Upholstery tool and Detachable brush.(Fig.35)

With detachable brush for carved furniture, table tops, books, lamps, baseboards , etc.
Without detachable brush for draperies, mattresses, clothing, carpeted stairs, etc.

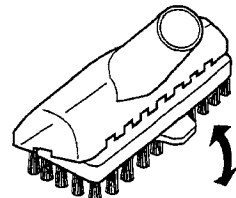


Detachable brush

Press the knob downward to remove the Detachable brush from the Upholstery tool.

Insert the front portion of the Detachable Brush into the groove located inside the front of the Upholstery tool.

Pull up on the knob to reattach the brush the Upholstery tool.



BEFORE REQUESTING SERVICE

If you experience any difficulties with your vacuum cleaner, use this Troubleshooting Chart first before requesting service.

NOTE:

Always remember to have the vacuum cleaner turned OFF and disconnect the plug from the power outlet before working on the vacuum cleaner.

TROUBLESHOOTING CHART

| Problem | Check | Possible Remedy |
|---|---|---|
| Motor does not start when the power switch is in the ON position. | Check if the power cord plug is completely inserted into the outlet. | Insert the plug properly into the outlet. |
| The agitator does not rotate when the power switch is in the ON position. | <ol style="list-style-type: none">① Check that the RUG/FLOOR selector is positioned correctly. (EC-14TWT6/14TAT6 only)② Be sure the flat belt is not severed or installed incorrectly. | <ol style="list-style-type: none">① Set the selector at the RUG position. (EC-14TWT6/14TAT6 only)② Replace the flat belt or install it properly. |
| Suction power is weak or decreases suddenly. | <ol style="list-style-type: none">① Does the paper bag need changing?② Check if the nozzle head, suction hose, etc. is clogged. | <ol style="list-style-type: none">① Change the paper bag.② Remove any foreign objects that may have become jammed in the nozzle head, suction hose, etc. |

Please request service if the problem still persists or if the problem is not defined in the Troubleshooting Chart.

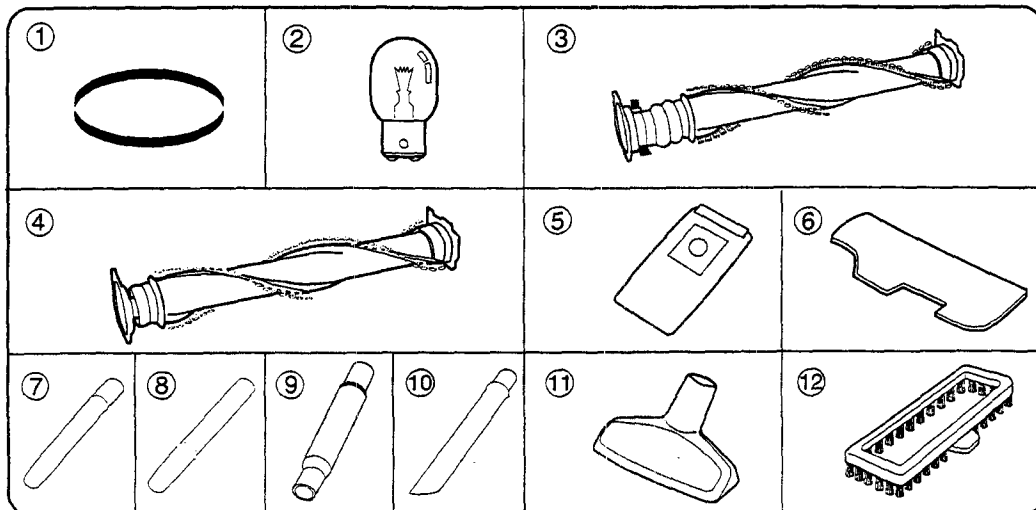
CALLING FOR SERVICE

For your nearest Sharp Authorized Servicer, any other assistance or information about this product, please call Toll-Free: 1-800-BE-SHARP.

DESCRIPTION OF ACCESSORIES

For paper bags, belts or other parts, please contact your nearest Sharp Dealer.
If your dealer does not stock these parts, you may order them by calling 1-800-BE-SHARP.

| ITEM | PART DESCRIPTION | PART NUMBER |
|------|--|--|
| ① | FLAT BELT | EC-02BU3 (2 PCS IN 1 PACK) |
| ② | LAMP | RLMP-A001VBE0 |
| ③ | AGITATOR ASSEMBLY (EC-14TWT6/14TAT6 only) | DRTR-A003VBK0 |
| ④ | AGITATOR ASSEMBLY (EC-12TWT6/12TWT4/12TWT2/ 12TXT2/12SXT4B only) | DRTR-A004VBK0 |
| ⑤ | TWIN PLY™ MICRO-FITRATION PAPER BAG | EC-03PU2 (3 PCS IN 1 PACK) EC-10PU2 (10PCS IN 1 PACK) |
| ⑥ | SECONDARY FILTER WITH MICRON | EC-01MU3 (1 PC IN 1 PACK) |
| ⑦ | EXTENSION WAND (Slender) | PPIPPA 180VBFA |
| ⑧ | EXTENSION WAND (Larger) | PPIPPA 130VBFA |
| ⑨ | TELESCOPIC WAND (EC-14TWT6/14TAT6/12TWT6 only) | FPIP-A004VBFA |
| ⑩ | CREVICE TOOL | UCATSA057VBFA |
| ⑪ | UPHOLSTERY TOOL (without Detachable Brush) | UCAT-A005VBFA |
| ⑫ | DETACHABLE BRUSH | PBRS-A050VBEA |



LIMITED WARRANTY

SHARP ELECTRONICS CORPORATION warrants to the first consumer purchaser that this Sharp brand product (the "Product"), when shipped in its original container, will be free from defective workmanship and materials and agrees that it will, at its option, either repair the defect or replace the defective Product or part thereof at no charge to the purchaser for parts or labor for the time period(s) set forth below.

This warranty does not apply to any appearance items of the Product nor to the additional excluded item(s) set forth below nor to any Product the exterior of which has been damaged or defaced, which has been subjected to misuse, abnormal service or handling or which has been altered or modified in design or construction.

In order to enforce the right under this limited warranty, the purchaser should follow the steps set forth below and provide proof of purchase to the servicer.

The limited warranty described herein is in addition to whatever implied warranties may be granted to purchasers by law. ALL IMPLIED WARRANTIES INCLUDING THE WARRANTIES OF MERCHANTABILITY AND FITNESS FOR USE ARE LIMITED TO THE PERIOD(S) FROM THE DATE OF PURCHASE SET FORTH BELOW. Some states do not allow limitations on how long an implied warranty lasts, so the above limitation may not apply to you.

Neither the sales personnel of the seller nor any other person is authorized to make any warranties other than those described herein or to extend the duration of any warranties beyond the time period described herein on behalf of Sharp.

The warranties described herein shall be the sole and exclusive warranties granted by Sharp and shall be the sole and exclusive remedy available to the purchaser. Correction of defects, in the manner and for the period of time described herein, shall constitute complete fulfillment of all liabilities and responsibilities of Sharp to the purchaser with respect to the Product and shall constitute full satisfaction of all claims, whether based on contract, negligence, strict liability or otherwise. In no event shall Sharp be liable, or in any way responsible, for any damages or defects in the Product which were caused by repairs or attempted repairs performed by anyone other than an authorized service. Nor shall Sharp be liable, or in any way responsible, for any incidental or consequential economic or property damage. Some states do not allow the exclusion of incidental or consequential damages, so the above exclusion may not apply to you.

THE WARRANTY GIVES YOU SPECIFIC LEGAL RIGHTS. YOU MAY ALSO HAVE OTHER RIGHTS WHICH VARY FROM STATE TO STATE.

Your Product model number: EC-14TWT6, EC-14TAT6, EC-12TWT6, EC-12TWT4, EC-12TWT2, EC-12TXT2 or EC-12SXT4B Home Use Vacuum Cleaner
(Be sure to have this information available when you need service for your Product.)

Warranty period for this Product: one (1) year parts and labor.

Additional items excluded from warranty coverage: appearance items of the product, accessories, filters, or any printed materials.

Where to obtain service: at a Sharp Authorized Service Station or Sharp Authorized Service Dealer located in the United States. To find out the location of the nearest Sharp Authorized Service Station or Dealer, call Sharp toll free at 1-800-BE-SHARP.

What to do to obtain service: ship (prepaid) or carry in your Product to a Sharp Authorized Service Station or Dealer. Be sure to have proof of purchase available. If you ship or mail the Product, be sure it is packaged carefully.

SHARP®

SHARP ELECTRONICS CORPORATION

Sharp Plaza, Mahwah, New Jersey 07430-2135

SHARP CORPORATION

Osaka, Japan