

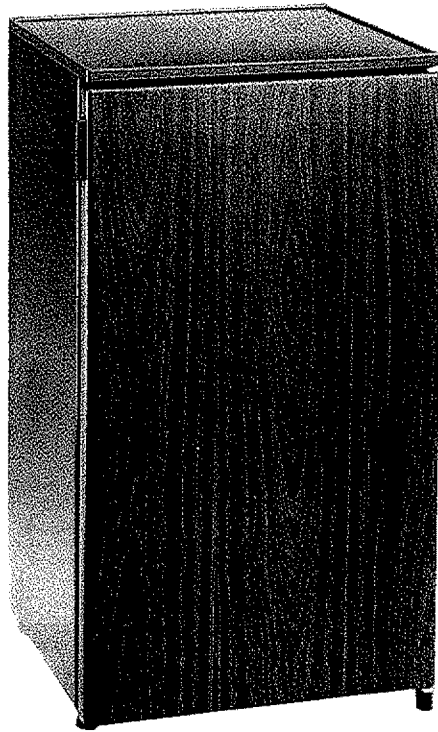
SEARS

OWNER'S MANUAL

Model No.
564.9933611
564.9933641

Caution:

Read and Follow all
Safety Rules and
Operating Instructions
before first use of
this Product



Kenmore

REFRIGERATOR

- Safety Instructions
- Installation
- Operation
- Care and Maintenance
- Troubleshooting
- Parts List

Sears, Roebuck and Co., Hoffman Estates, IL 60179 U.S.A.

Read This Book!

It will tell you how to operate and care for your refrigerator. It also offers tips on how to get the best, as well as lowest cost, performance.

If you prefer installing your own parts, use the parts list to find the part number. Do not use the illustration number.

For parts or service information, call your nearest Sears Service Center/Department, give the complete model number listed.

Record in space provided below the model number and serial number of this appliance. They are located on the model number plate at the upper corner on the cabinet back.

Model # _____ Serial # _____

Full One-Year Warranty on Refrigerator

For one year from date of purchase, when this refrigerator is operated and maintained according to owner's instructions attached to or furnished with the product, Sears will repair this refrigerator, free of charge, if defective in material or workmanship.

Full Five-Year Warranty on Sealed Refrigeration System

For five years from the date of purchase, when this refrigerator is operated and maintained according to owner's instructions attached to or furnished with the product, Sears will repair the sealed system (consisting of refrigerant, connecting tubing, and compressor motor), free of charge, if defective in material or workmanship.

The above warranty coverage applies only to refrigerators which are used for storage of food for private household purposes.

Warranty service is available by contacting the nearest Sears Service Center/Department in the United States.

This warranty applies only while this product is in use in the United States. This warranty gives you specific legal rights, and you may also have other rights which vary from state to state.

**Sears, Roebuck and Co., Dept. 817WA
Hoffman Estates, IL 60179**

Things You Ought To Know When Your Refrigerator is Installed

Inspect

For shipping damage. If damaged or parts are missing, notify Sears at once.

Installation

Remove all packing material and tape. Install on a strong, level floor or counter. Avoid any direct sunbeam, heat source and moisture.

Let air circulate freely around refrigerator. Keep rear of refrigerator 5 inches away from wall and provide at least 12 inches space on top for proper operation.

Caution:

Should you turn off the cold control, allow at least three minutes before restarting in order to give the electric device cooling off time.

Electrical Requirements

120 Volts, 60 Hz (60 cycles A.C.) 15 Amps circuit.

Electrical Grounding

Must be grounded. Uses 110-120 Volt 60 Hz (60 cycle) AC. Do not use extension cord. Use three-prong plug with three-prong grounded wall outlet.

Unless the above grounding method is followed, you are not protected against severe or lethal shock, in the event of a short circuit of an electrical component or wiring of refrigerator.

Things to Remember

1. Allow 24 hours for your Refrigerator to reach a new temperature setting.
2. The motor will start and stop often. It must, to maintain the temperature you select.
3. Keep your refrigerator reasonably level.
4. Unplug the refrigerator before doing anything with the electrical system.

Before Calling for Service

Check the plug and fuse. Test the outlet with lamp. Be sure the control is set to on. Read all USE AND CARE INFORMATION. It may answer questions. If not, find your model number (on upper back of refrigerator). Refer your number and problem to the nearest Sears Service Center/ Department.

DANGER-ELECTRICAL SHOCK HAZARD.
Disconnect power before servicing.

Use and Care Information

Tips on Everyday Care and Use

To control the temperature: At first, set the Cold Control on "3". Wait 24 hours for the entire cabinet to cool. Then adjust control, if needed. Setting the Cold Control to "MIN" is the warmest setting. Setting the Cold Control to "MAX" is the coldest. This setting may reduce temperature below freezing, but will not cool refrigerator faster.

Fresh food section should be as cold as possible with freezing vegetables or milk. Adjust as necessary.

Defrost when $\frac{1}{4}$ " frost forms. Set the temperature control dial to "OFF", for defrosting. Remove food. Do not touch freezing plate with bare hands. Do not use electric defrost devices or hair dryers to melt frost. They may damage plastic parts.

When defrosting is completed, wipe the freezing plate dry and reset the control dial. Replace food.

For all cleaning: Mix 2 tablespoons baking soda with 1 quart warm water or use a mild soap. Do not use strong cleaners, scouring powder or pads. For persistent odors, Sears' Service Department has odor removal products. Do not put the drip tray in dishwasher. Vacuum the tubing on outside back when dusty.

Energy Saving Tips

Ways to Save Power, Save Money, and Still enjoy your Kenmore.

1. Reduce door openings.
2. Close the door as soon as you can.
3. Keep coils on back of refrigerator clean.
4. Adjust temperature control to warmer setting when practical.
5. Don't put hot foods in refrigerator.
6. Don't allow more than $\frac{1}{4}$ " of frost to build up in freezer compartment.
7. Keep your Kenmore away from stove or other heat sources.

Parts List

Models: 564.9933611
564.9933641

CAUTION: Use Kenmore parts number on all orders, NOT the illustration number.

Illus. No.	Part No.	Description
1	302146	Door Liner
2	300827	Door Gasket
3	300308	Tapping Screw
4		Handle
	302173	564.9933611
	300139	564.9933641
5	300140	Machine Screw
6		Door
	302190	564.9933611
	302147	564.9933641
7		Top Table
	302099	564.9933611
	302165	564.9933641
8	300846	Top Trim
9	300847	Reinforce Top Table
10	300459	Bolt
11	300460	Hinge, Top
12	302166	Support Plate
13	302309	Grommet, Evap Door (2)
14	300462	Evap. Door
15	301917	Thermostat
16	301919	Control Knob
17	302313	Hinge, Bottom
18	302291	Foot, Right
19	300459	Bolt, Bottom Hinge
20	302291	Foot
21	300158	Power Supply Cord
22	300308	Tapping Screw
23	301817	Clamp, Power Supply Cord
24	301918	Splice Box
25	300469	Machine Screw
26	300848	Support Sheet Top
27	302261	Compressor
28	300459	Bolt
29	302169	Compressor Base
30	301957	Retainer, Relay Cover
31	301956	Relay Cover
32	302306	PTC Thermistor
33	302265	Overload Protector
36	302170	Clamper, Lead Wire
35	302323	Condenser
36	300502	Bracket

Illus. No.	Part No.	Description
37	302324	Evaporator
39	301593	Door Shelf Trim
40	302144	Door Shelf Trim, Lower
41	301846	Bushing, Left
42	301847	Bushing, Right
43	301991	Machine Screw
44	301923	Clamp, Thermostat Bulb
45	300845	Top Trim, Rear
46	300499	Bushing (2)
47	302248	Dryer
48	300413	Bolt
49	300430	Grommet (3)
50	300152	Ice Cube Tray (2)
51	302145	Drip Tray
52	300841	Shelf
53	302171	Glass Shelf
54	302172	Trim, Glass Shelf
55	300437	Crisper
56	302181	Evap. Bracket w/Pin
57	302289	Grommet w/o Hole (1)

Parts Not Illustrated

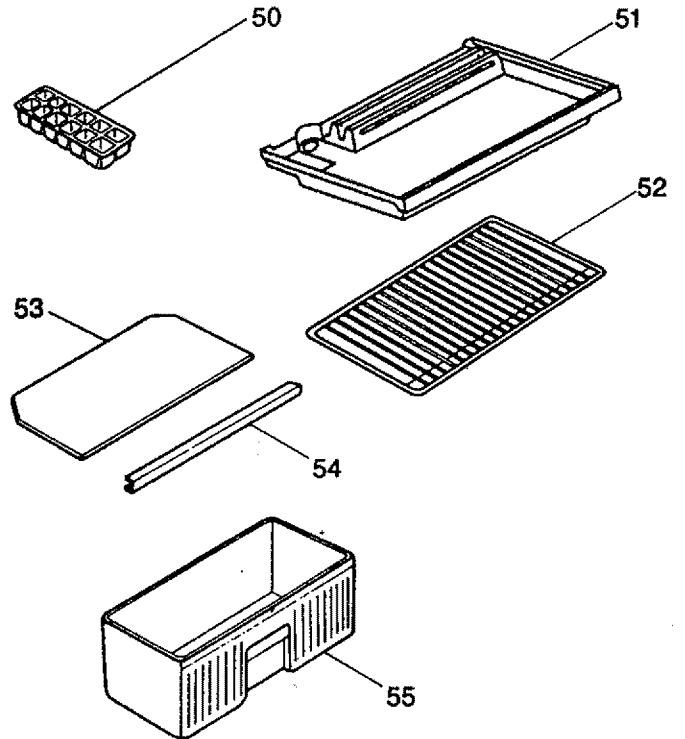
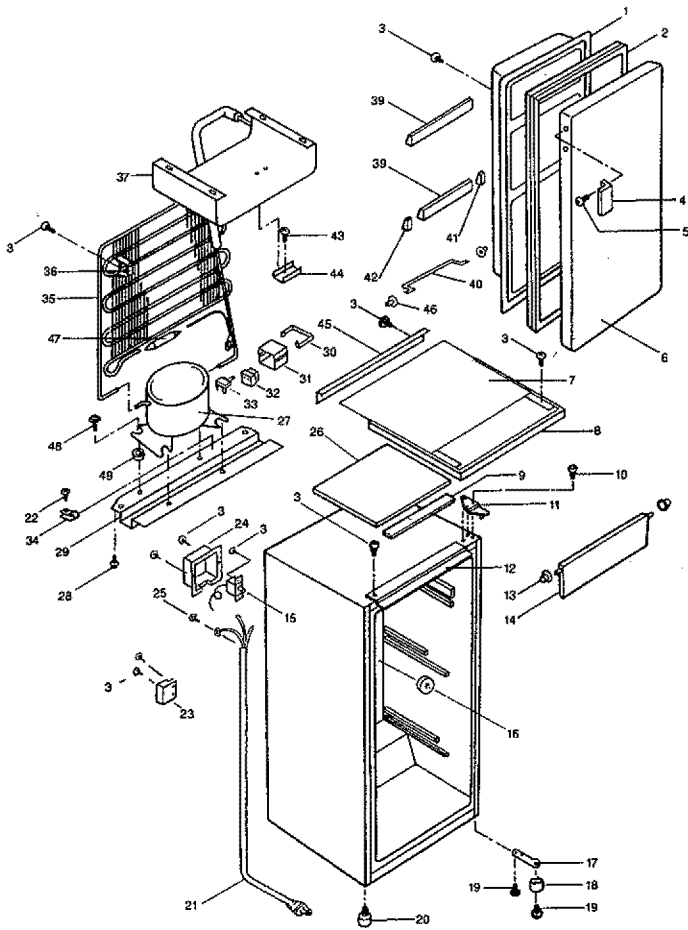
Illus. No.	Part No.	Description
	302326	Owner's Instruction Manual and Parts List
	302220	Technical Sheet
	302020	Use and Care Label
	302325	Energyguide Label

Parts List

Models: 564.9933611

564.9933641

CAUTION: Use Kenmore parts numbers on all orders, NOT the illustration number.



SEARS

OWNER'S MANUAL

Model No.
564.9933611
564.9933641

Net Capacity 3.6 Cubic Feet*

The model number and serial number of your refrigerator is located on the model number plate at the upper corner on the cabinet back.

When requesting service or ordering parts, always provide the following information:

- Product Type
- Model Number
- Part Number
- Part Description

*Capacity manufacturer certified
(Association of Home Appliance
Manufacturers)

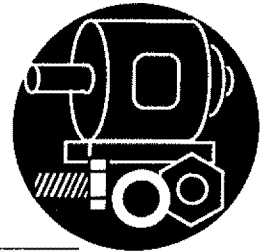
Kenmore

REFRIGERATOR

For the repair or replacement parts you need

Call 7 am - 7 pm, 7 days a week

1-800-366-PART
(1-800-366-7278)



For in-home major brand repair service

Call 24 hours a day, 7 days a week

1-800-4-REPAIR
(1-800-473-7247)



For the location of a
Sears Repair Service Center in your area

Call 24 hours a day, 7 days a week

1-800-488-1222



For information on purchasing a Sears
Maintenance Agreement or to inquire
about an existing Agreement

call 9 am - 5 pm, Monday-Saturday

1-800-827-6655



SEARS
REPAIR SERVICES
America's Repair Specialists

Sears, Roebuck and Co., Hoffman Estates, IL 60179 U.S.A.