



**SEARS**

Vacuum Cleaner

***OWNER'S MANUAL***

READ THIS MANUAL for important safety,  
assembly and operating instructions.

# CONTENTS

WARRANTY AND SERVICE .....	1
IMPORTANT SAFETY INSTRUCTIONS .....	2
PARTS AND FEATURES .....	3-4
ASSEMBLY .....	5-6
USE	
How to Start .....	7
Vacuuming Tips .....	8
Suggested Pile Height Settings .....	8
Attachments .....	9
Attachment Use Chart .....	9
Performance Features .....	10
HOW YOUR VACUUM WORKS .....	11
CANISTER CARE .....	11
Bag Changing .....	11
Motor Safety Filter Cleaning .....	12
Cleaning Exterior and Attachments .....	12
POWER-MATE™ CARE .....	12
Light Bulb Changing .....	13
Belt Changing and Brush Cleaning .....	13-14
Brush Servicing .....	15
Brush Assembly .....	15
TROUBLESHOOTING .....	16

**Proper assembly and safe use of your vacuum cleaner are your responsibilities. Your cleaner is intended only for household use. The cleaner should be stored in a dry, indoor area. Read this Owner's Manual carefully for important use and safety information.**

## WARRANTY

### KENMORE VACUUM CLEANER FULL ONE-YEAR WARRANTY

When used for private household purposes, if within one year from the date of purchase, this vacuum cleaner fails due to a defect in material or workmanship, RETURN IT TO THE NEAREST SEARS SERVICE CENTER/DEPARTMENT IN THE UNITED STATES, and Sears will repair it, free of charge.

If this vacuum cleaner is used for commercial or rental purposes, the above warranty coverage applies for only 90 days from the date of purchase.

This warranty gives you specific legal rights, and you may also have other rights which vary from state to state.

**SEARS, ROEBUCK AND CO., D/817WA  
HOFFMAN ESTATES, IL 60195**

## SERVICE

If you need service or parts, visit your local Sears service or parts department. They will be able to solve your problem and supply any needed replacement parts. Any service needed other than described in this Owner's Manual should be done by a Sears authorized service representative.

When requesting assistance, parts or service, always give the following information:

1. Canister model number and serial number;
2. POWER-MATE™ Model number and serial number;
3. Problem description;
4. Part number;
5. Name of part;
6. Location of part – Canister or POWER-MATE™

**NOTE: If you take this cleaner in for service, take the hose in at the same time. This cleaner can not be serviced without the hose.**

# IMPORTANT SAFETY INSTRUCTIONS



## WARNING

*To reduce the risk of fire, electrical shock, injury to persons or damage when using your vacuum cleaner, follow basic safety precautions including the following:*

**Read** this manual before assembling or using your vacuum cleaner.

**Use** your cleaner only as described in this manual. Use only with recommended attachments.

**Do not** use outdoors or on wet surfaces. Electrical shock could occur.

**Disconnect** electrical supply before servicing or cleaning out brush area. Failure to do so could result in electrical shock or brush suddenly starting.

**Always** turn cleaner off before connecting or disconnecting the hose or POWER-MATE™

**Always** turn cleaner off before unplugging.

**Do not** unplug by pulling on cord. To unplug, grasp the plug, not the cord.

**Hold** plug when rewinding onto cord reel. Do not allow plug to whip when rewinding.

**Do not** use with damaged cord or plug. If cleaner is not working as it should, has been dropped, damaged, left outdoors, or dropped into water, return it to a Sears Service Center/Department.

**Do not** pull or carry by cord, use cord as a handle, close door on cord, or pull cord around sharp edges or corners. Do not run cleaner over cord. Keep cord away from heated surfaces.

**Do not** leave cleaner when plugged in. Unplug from outlet when not in use and before servicing.

**Do not** allow to be used as a toy. Close attention is necessary when used by or near children.

**Do not** handle plug or cleaner with wet hands.

**Do not** operate cleaner with a punctured

hose. The hose contains electrical wires. Replace if cut or worn. Avoid picking up sharp objects.

**Do not** put any objects into openings.

**Do not** use with any opening blocked; keep free of dust, lint, hair and anything that may reduce airflow.

**Keep** hair, loose clothing, fingers, and all parts of body away from openings and moving parts.

**Do not** use cleaner without dust bag and/or filters in place. Always change the dust bag after vacuuming carpet cleaners or fresheners, powders and fine dust. These products clog the bag, reduce airflow and can cause the bag to burst. Failure to change could cause permanent damage to the cleaner.

**Do not** use the cleaner to pick up sharp hard objects, small toys, pins, paper, etc. They may damage the cleaner or dust bag.

**Do not** pick up anything that is burning or smoking, such as cigarettes, matches, or hot ashes.

**Do not** use cleaner to pick up flammable or combustible liquids (gasoline, cleaning fluids, perfumes, etc.), or use in areas where they may be present. The fumes from these substances can create a fire hazard or explosion.

**Use extra care** when cleaning on stairs. Do not put on chairs, tables, etc. Keep on floor.

**You** are responsible for making sure that your vacuum cleaner is not used by anyone unable to operate it properly.

## SAVE THESE INSTRUCTIONS

# **PARTS AND FEATURES**

It is important to know your vacuum cleaner parts and features to assure its proper and safe use. Review these before using your cleaner.

## **COPY YOUR MODEL AND SERIAL NUMBERS HERE.**

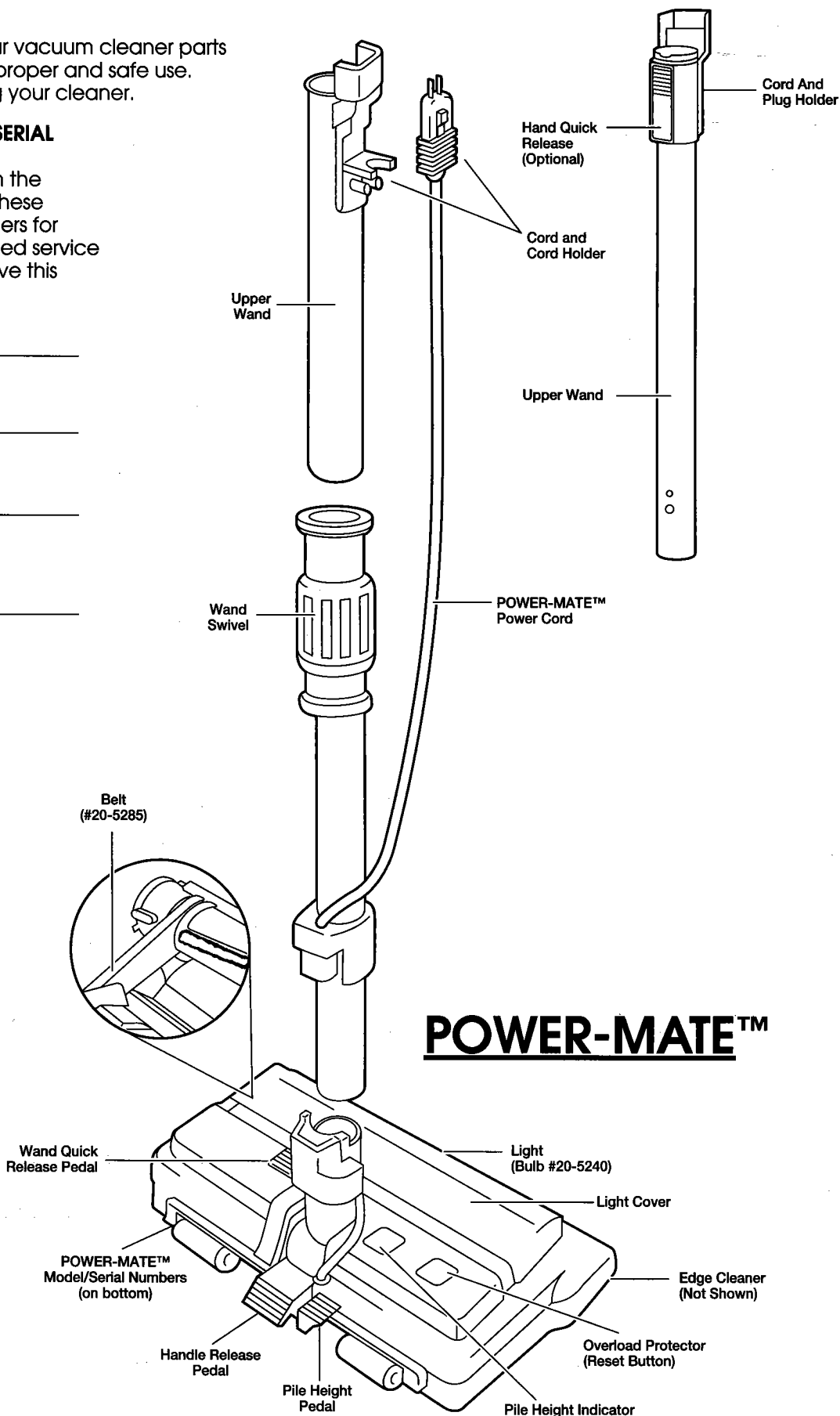
Copy this information from the bottom of each unit into these spaces. Keep these numbers for future reference. If you need service or call with a question, have this information ready:

**116.**  
 \_\_\_\_\_  
 Canister Model Number

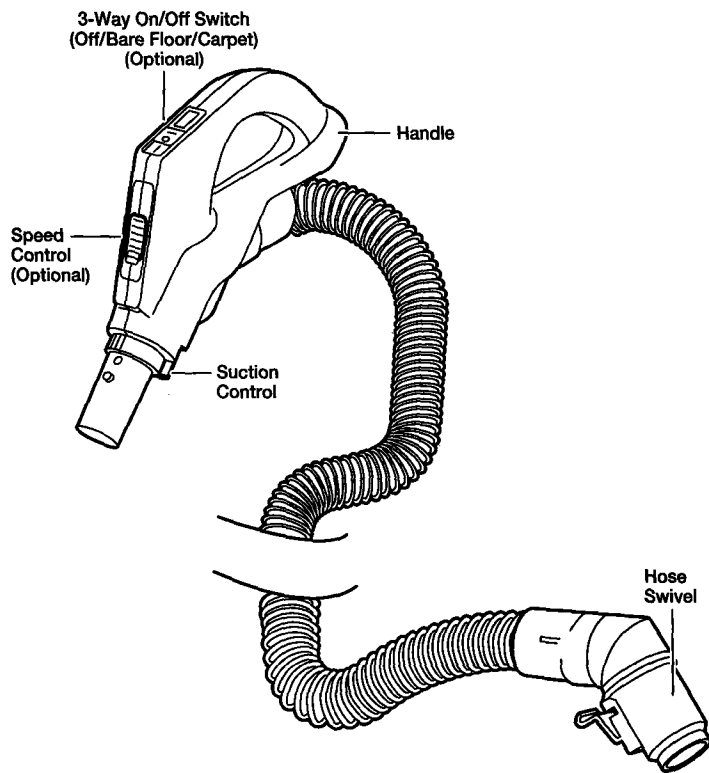
**D-**  
 \_\_\_\_\_  
 Canister Serial Number

**116.**  
 \_\_\_\_\_  
 POWER-MATE™  
 Model Number

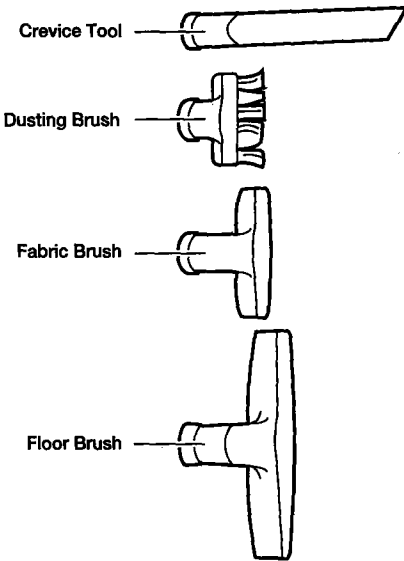
**D-**  
 \_\_\_\_\_  
 POWER-MATE™  
 Serial Number



# HOSE

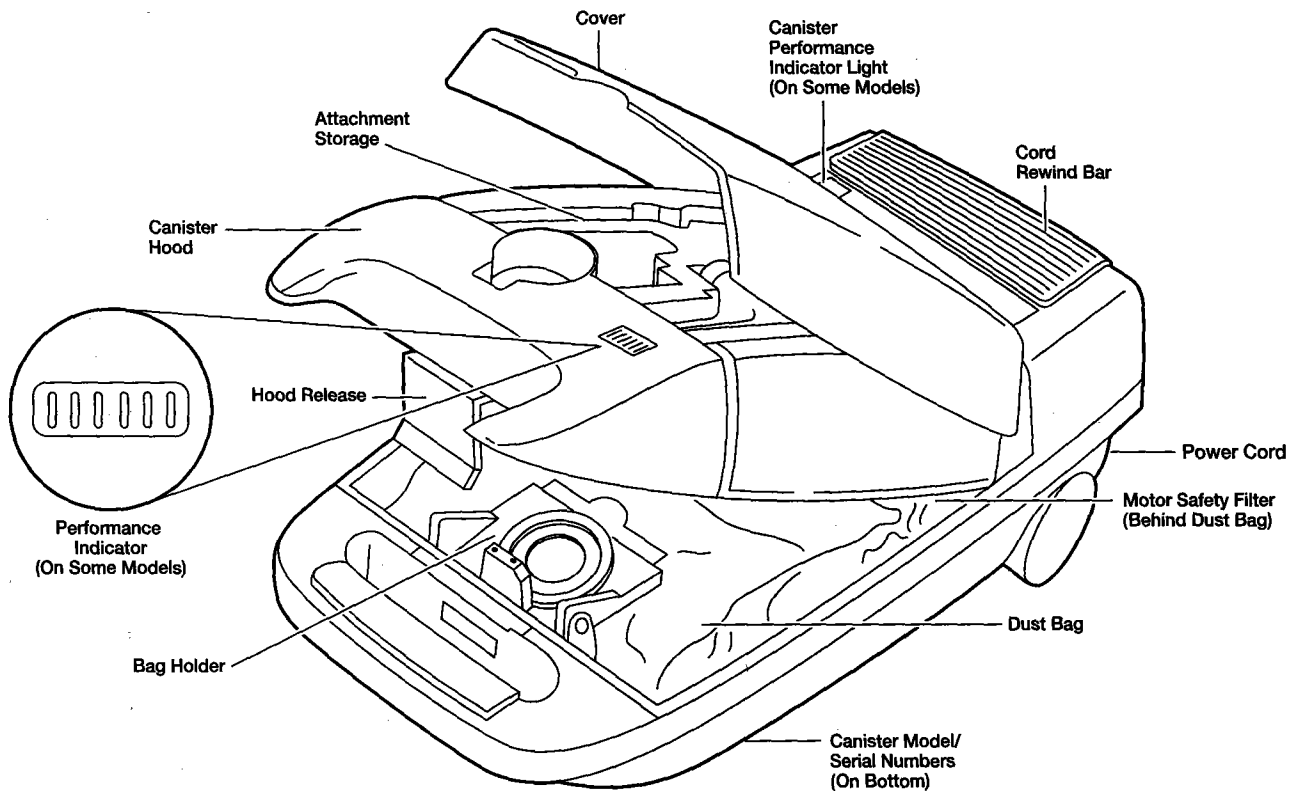


# ATTACHMENTS




**NOTE:** All models have one set of attachments in the canister. Some models have an additional set, which can be kept in the accessory bag for garage or outdoor use.

# CANISTER



# ASSEMBLY

Before assembling your vacuum cleaner, be sure you have all parts shown on pages 3 and 4.



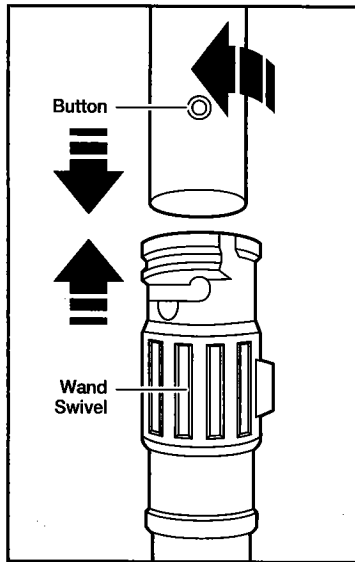
## WARNING

**Electrical Shock Hazard**  
**Do not plug into electrical supply until assembly is complete. Failure to do so could result in electrical shock or injury.**

## WANDS

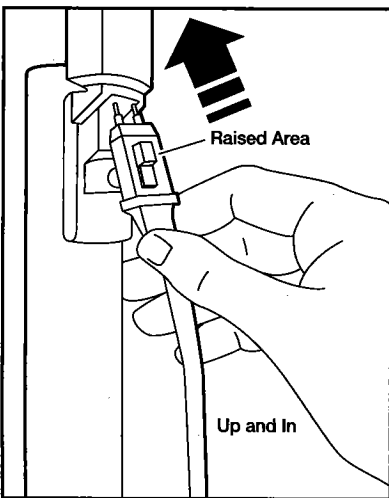
- Slide wands together until wand button snaps into place. Turn wand button to the slotted area of the wand swivel.

The swivel allows you to turn the handle to the left side to reach farther under low furniture.



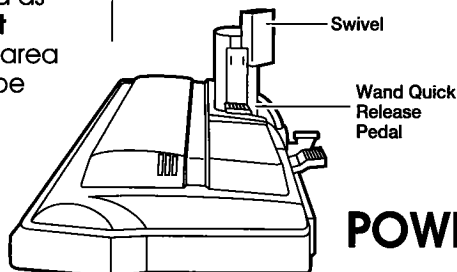
## POWER-MATE™

1. Insert wands into POWER-MATE™ until the wand buttons snap into place.

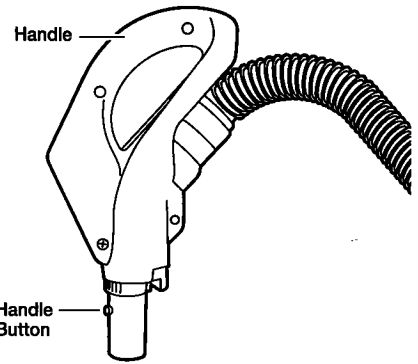


**To remove:** step on wand release pedal, then pull up on wands.

2. Connect POWER-MATE™ plug and cord as shown. **Do not force.** Raised area of plug must be toward hand.

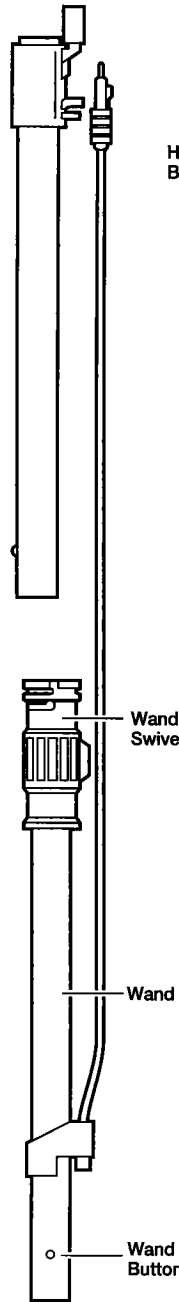
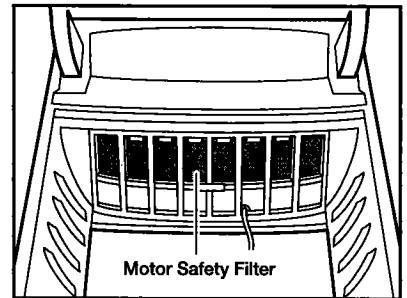


## POWER-MATE™



## CANISTER

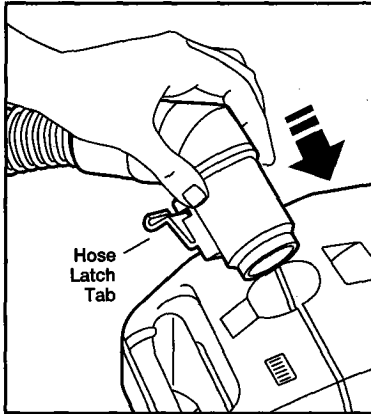
1. Open the canister hood.
2. Check the dust bag. See page 11 for installation instructions.
3. Check motor safety filter. See page 12 for installation instructions.



# HOOD

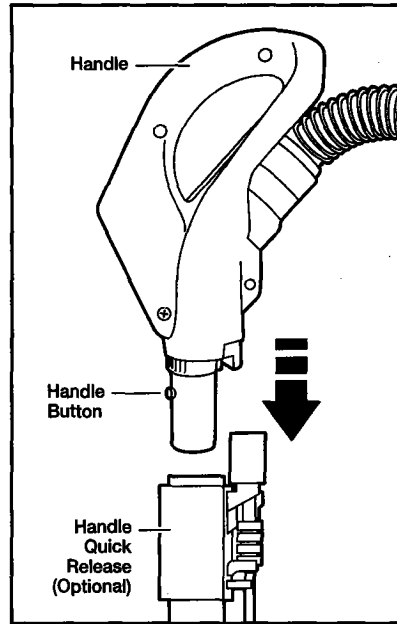
• It is normal for the canister hood to come off when opened further than needed. Line up the hinges, insert them, and close the hood to replace it.

# HOSE



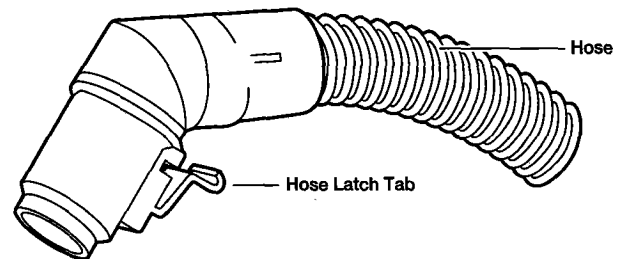
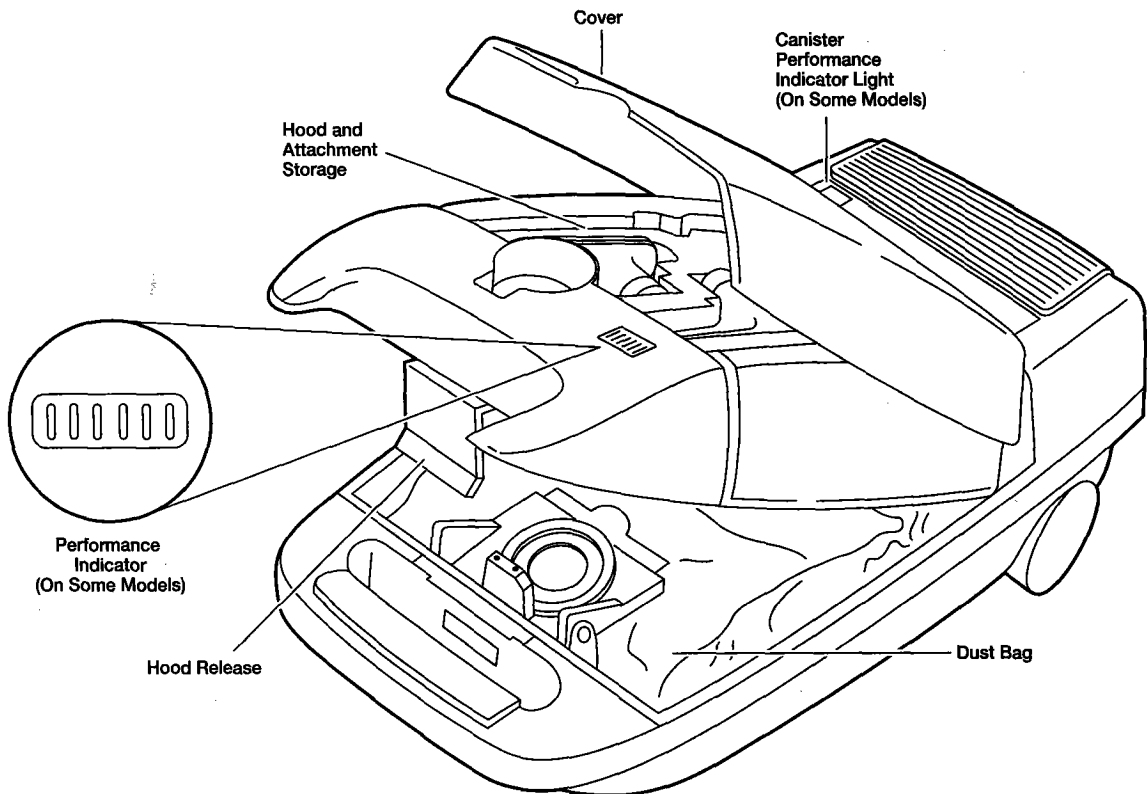
1. Insert hose into canister until it snaps in place.

**To remove:** lift hose latch tab upward and pull up on hose.



2. Insert handle into wand until lock button snaps in place. **Be sure hose is not twisted.**

**To remove:** press handle release button and pull up on handle.



# USE

## HOW TO START

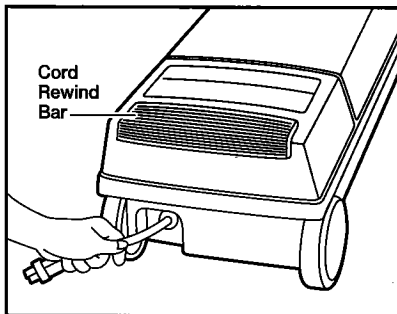


### WARNING

#### Personal Injury and Product Damage Hazard

- **DO NOT plug in if switch is in ON position.** Personal injury or damage could result.
- **The cord moves rapidly when rewinding.** Keep children away and provide a clear path when rewinding the cord to prevent personal injury.
- **DO NOT use outlets above counters.** Damage to items in surrounding area could occur.

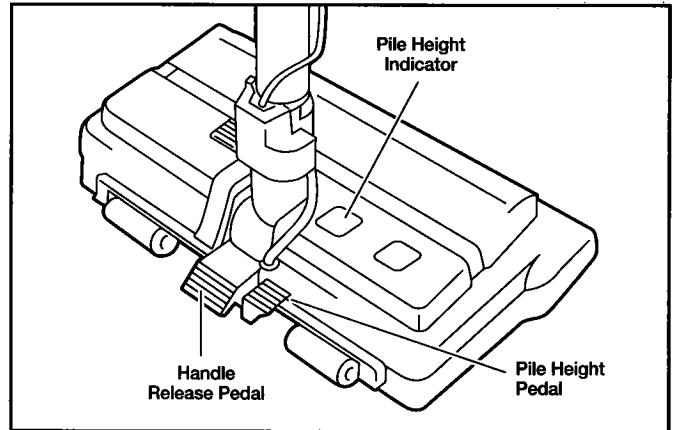
**NOTE:** To reduce the risk of electric shock, this vacuum cleaner has a polarized plug. (one blade is wider than the other). This plug will fit in a polarized outlet only one way. If the plug does not fit fully in the outlet, reverse the plug. If it still does not fit, contact a qualified electrician to install the proper outlet. Do not change the plug in any way.



1. Pull cord out of canister to desired length. The cord will not rewind until the cord rewind bar is pushed.

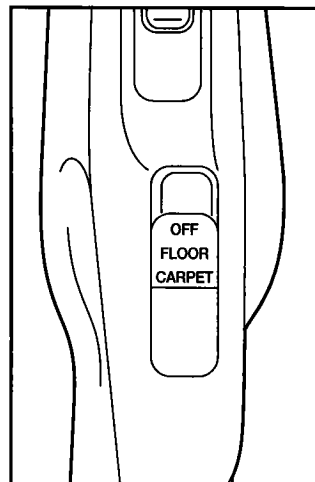
2. Plug the polarized power cord into a 120-volt outlet located near the floor.

**To rewind:** unplug the cleaner. Hold the plug while rewinding to prevent damage or injury from the moving cord. Push cord rewind bar.



3. Lower wand from upright position by pressing on the handle release pedal.

4. Select a pile height setting by pressing the small pedal on the rear of the POWER-MATE™. The pile height setting shows on the indicator. See "SUGGESTED PILE HEIGHT SETTINGS" on page 8.



Select a switch position on the handle.

**OFF**

**FLOOR** – turns on the Canister motor only.

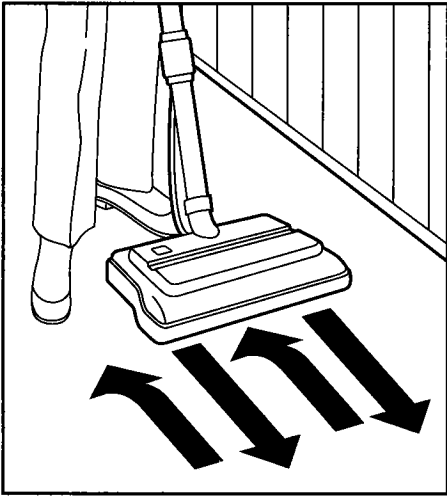
**CARPET** – turns on both the Canister and the POWER-MATE™ motors.



# VACUUMING TIPS

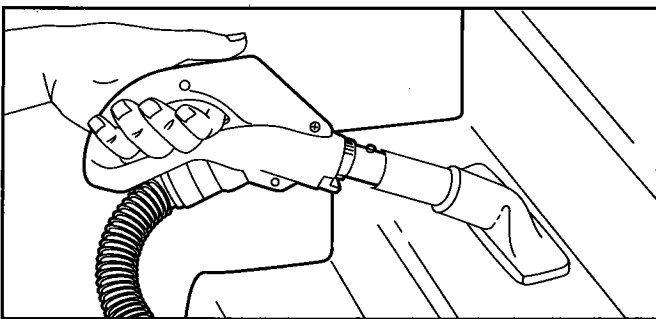
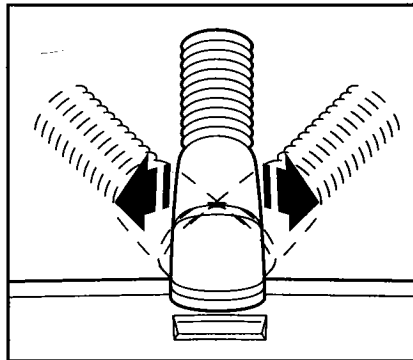
## Suggested sweeping pattern.

For best cleaning action, the POWER-MATE™ should be pushed straight away from you and pulled straight back. At the end of each pull stroke, the direction of the POWER-MATE™ should be changed to point into the next section to be cleaned. This pattern should be continued across the rug with slow, gliding motions.



**NOTE: Fast, jerky strokes do not provide complete cleaning.**

**Small areas** can be cleaned without moving the canister. The hose swivel allows the hose to turn 360° while the canister stays in place. Check hose for twisting before pulling canister.



**Carpeted stairs** need to be vacuumed regularly. For best cleaning results, fully close the suction control.



## WARNING

### *Personal Injury Hazard*

*Use care if canister is placed on stairs. If it falls, personal injury or property damage could result.*

For best cleaning results, keep the airflow passage open. Check each assembly area, (shown on page 11) occasionally for clogs. Unplug from outlet before checking.

# SUGGESTED PILE HEIGHT SETTINGS

For best deep down cleaning, use the **XLO setting**. However, you may need to raise the height to make some jobs easier, (such as scatter rugs and some deep pile carpets) and to prevent the vacuum cleaner from shutting off. Suggested settings are:

**XLO** – most carpets and bare floors.

**LO** – low to medium pile.

**MED** – medium to deep pile.

**HI** – shag; deep pile; scatter rugs.

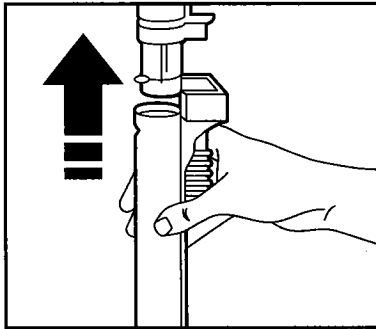
# ATTACHMENTS



## CAUTION

DO NOT attach or remove handle or wands while cleaner is ON. This could cause sparking and damage the electrical contacts.

## ATTACHMENTS ON HANDLE

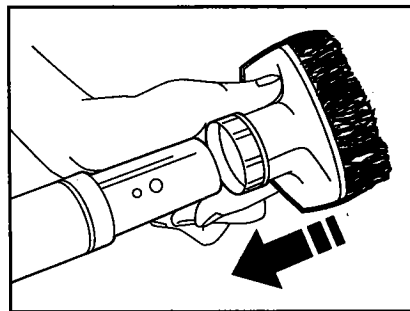


**NOTE:** If the POWER-MATE™ is attached, turn cleaner OFF before removing handle from wands.

1. Press lock button, then pull to remove handle from wand.

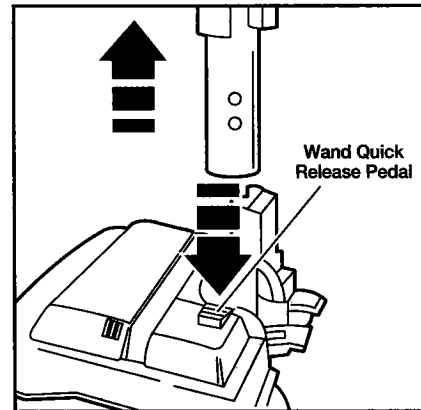
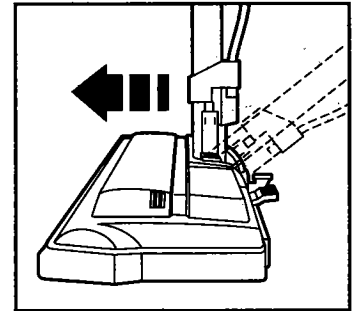
If your model has the optional feature of a handle release, press it in similarly.

2. Slide attachments firmly on handle as needed (See chart on this page.)



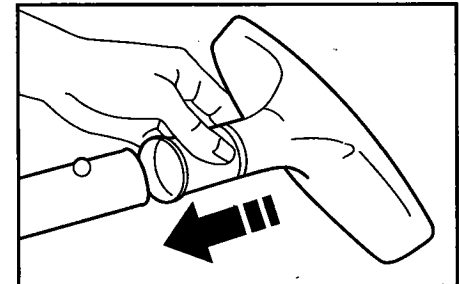
## ATTACHMENTS ON WANDS

1. To remove wands from POWER-MATE™, lock wands in straight-up position.








2. Press wand release pedal with foot and pull the wands straight up out of POWER-MATE™. The POWER-MATE™ plug and cord do not have to be removed to use attachments on the wands.

3. Put attachments on wands as needed. (See chart below.)



## ATTACHMENT USE

ATTACHMENT	CLEANING AREA							
	Furniture*	Between Cushions*	Drapes*	Stairs	Bare Floors	Carpeted Floors	Rugs	Walls
DUSTING BRUSH 	X		X					X
CREVICE TOOL 	X	X						
FABRIC BRUSH 	X		X					
FLOOR BRUSH 				X	X			X
POWER-MATE™ 					X**	X	X	

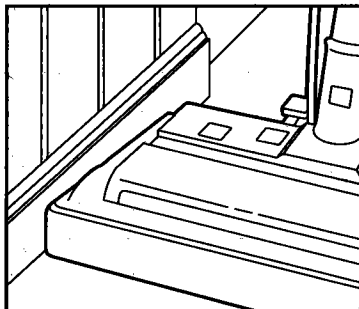
\* Always clean attachments before using on fabrics.

\*\* 3-way ON/OFF switch should be in "Bare Floor" position.

**NOTE:** When separating wands, depress lock button completely before pulling wands apart. If wand lock button is difficult to depress, push the two wands more tightly together to line up the lock button with the hole. Depress lock button and then pull wands apart.

# PERFORMANCE FEATURES

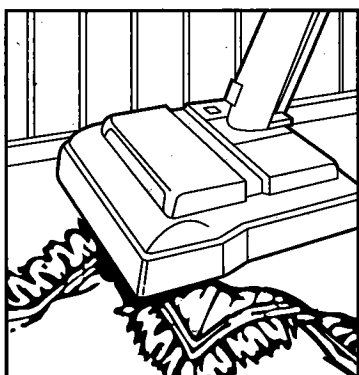
## Edge Cleaner



Active brush edge cleaners are on both sides of the POWER-MATE™ Guide either side of the POWER-MATE™ along baseboards or next to furniture to help remove dirt trapped at carpet edges.

## Overload Protector

The POWER-MATE™ has built-in protection against motor and belt damage should the brush jam. If the brush slows down or stops, the overload protector button pops up and shuts off the POWER-MATE™. The canister motor will continue to run.



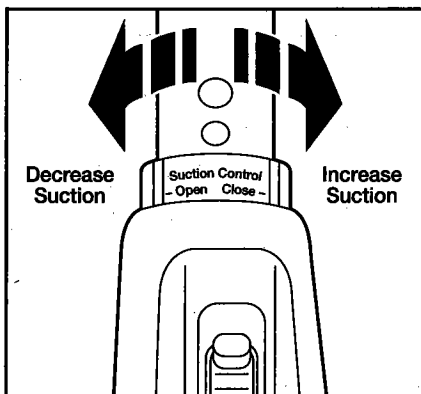
### To correct problem:

See the Troubleshooting Chart on page 16.

**To reset:** Push in the overload protector button.

## Suction Control

The suction control allows you to change the vacuum suction for different fabric and carpet weights. Opening the control decreases suction for draperies and lightweight rugs, while closing the control increases suction for upholsteries and carpets.

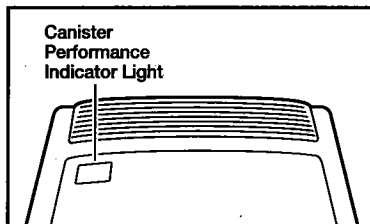


## WARNING

### Personal Injury Hazard

**Always unplug the vacuum cleaner before cleaning the brush area as brush may suddenly restart. Failure to do so can result in personal injury.**

## Canister Performance Indicator On Some Models

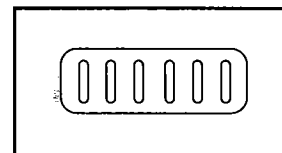


The light comes on whenever the airflow becomes blocked, dust bag needs changing or canister safety filter needs cleaning.

**NOTE:** The light may also come on when using certain attachments, due to reduced airflow through attachment.

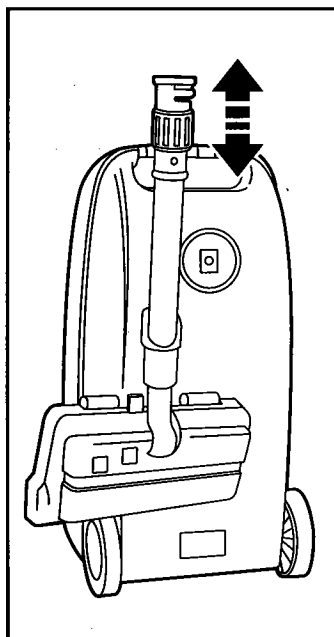
## Performance Indicator On Some Models

When the unit is running the lines in the indicator windows will be clear if there are no clogs. When the lines turn completely red there is a need to check the dust bag for being full or the other areas that may be clogged. See page 11.



**NOTE:** Red lines may appear when using attachments while cleaning new carpet, due to reduced airflow by the attachments themselves or by new carpet fuzz filling the bag quickly.

## POWER-MATE™ Storage On Some Models



The lower wand has a "U" shaped flange in the area where the power cord attaches. The base has a "U" shaped slot near the front caster.

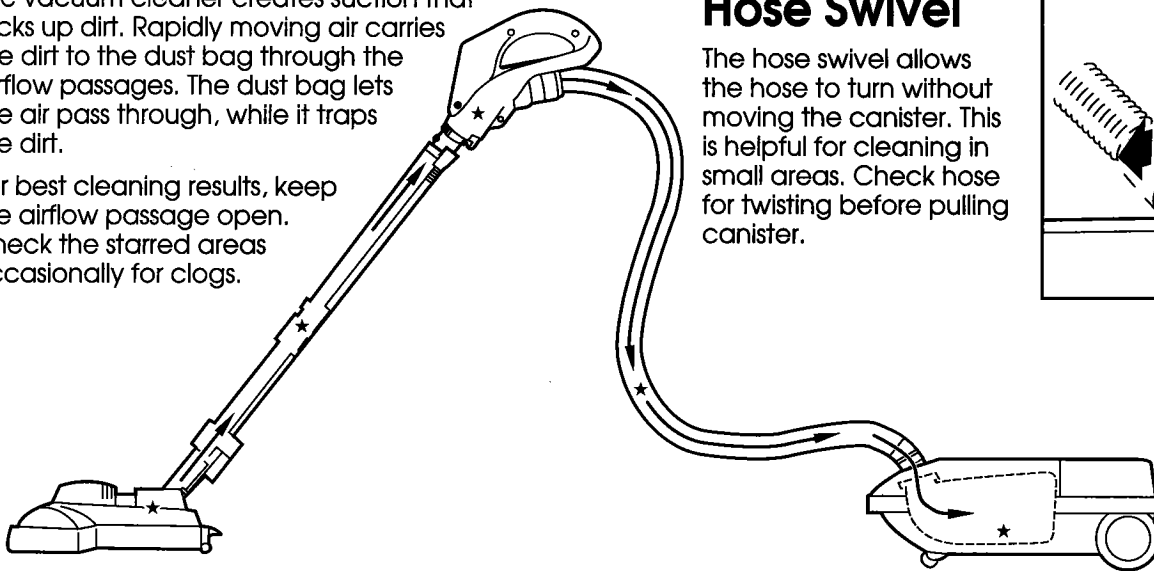
The flange allows the wands and POWER-MATE™ to be stored with the canister to conserve storage space. The canister must be stored on end for this feature to be used.

The wand will slip out of the slot as it is lifted up for use and will slide into the slot as it is lowered for storage.

# HOW YOUR VACUUM WORKS

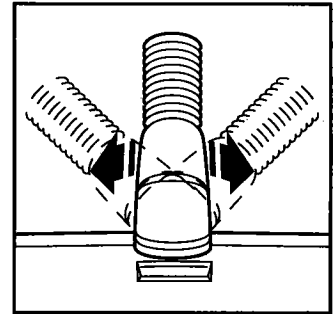
The vacuum cleaner creates suction that picks up dirt. Rapidly moving air carries the dirt to the dust bag through the airflow passages. The dust bag lets the air pass through, while it traps the dirt.

For best cleaning results, keep the airflow passage open. Check the starred areas occasionally for clogs.



## Hose Swivel

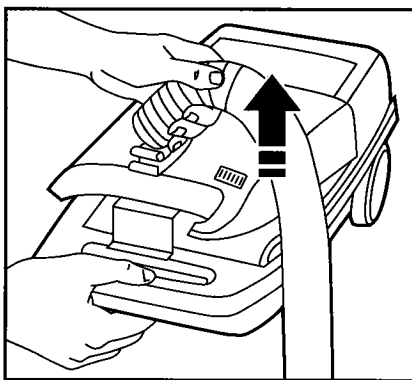
The hose swivel allows the hose to turn without moving the canister. This is helpful for cleaning in small areas. Check hose for twisting before pulling canister.



# CANISTER CARE

## BAG CHANGING

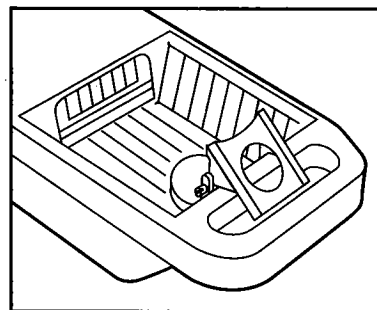
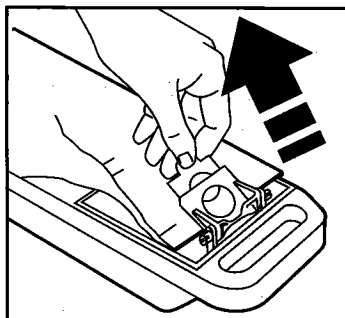
For best cleaning results, the dust bag should be changed often. The performance indicator will come on when the bag needs to be changed or the airflow is blocked.



1. Unplug cord from wall outlet.
2. Pull hood release out and up, then lift canister hood.

3. Disengage cardboard tab from red bag mount by pressing away and lifting up.

4. Pull bag out of the red bag mount.



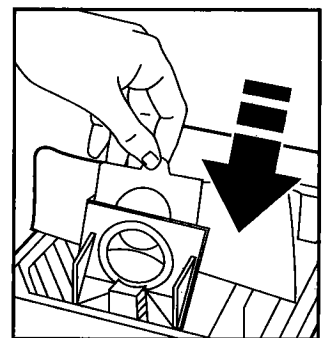
5. Check and clean motor safety filter. The red bag mount will flip forward after removing bag. This will prevent the lid from closing until a new bag is installed.

6. Raise red bag mount up.

7. Install bag into slots per illustrations pushing down until the cardboard tab locks into position and the holes align. Tuck the back end of the bag down.

8. Close and latch canister hood.

9. Plug cord into wall outlet.



## CAUTION

**NEVER REUSE A DUST BAG.** Very fine materials, such as carpet fresheners, face powder, fine dust, plaster, soot, new carpet lint, etc. can clog the bag and cause it to burst before it is full. Change bag more often when vacuuming these materials.

# MOTOR SAFETY FILTER CLEANING

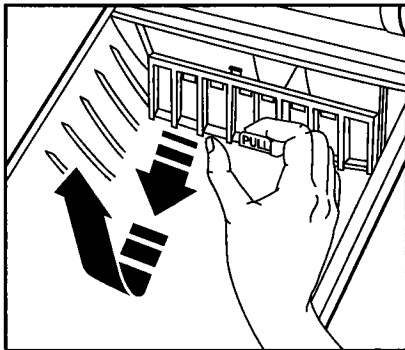
Check motor safety filter occasionally and clean when dirty.



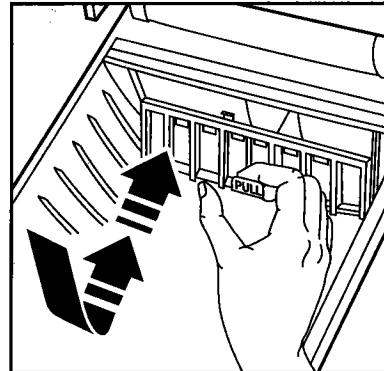
## WARNING

### Electrical Shock Hazard

*Do not operate the cleaner without the motor safety filter. Be sure the filter is dry and properly installed to prevent motor failure and/or electrical shock.*



1. Unplug cord from wall outlet and remove bag.
2. Pull out safety filter as shown.



3. Wash filter in warm soapy water, rinse, then dry. **Do not clean in dishwasher.**
4. Snap filter back into canister.
5. Insert bag.

# CLEANING EXTERIOR AND ATTACHMENTS

1. Unplug cord from wall outlet. **DO NOT drip water on cleaner.**
2. Clean exterior using a clean, soft cloth that has been dipped in a solution of mild liquid detergent and water, then wrung dry. Wipe dry after cleaning.
3. To reduce static electricity and dust build-up, wipe outer surface of canister and attachments.
4. Wash attachments in warm soapy water, rinse and air dry. **Do not clean in dishwasher.**

**DO NOT USE ATTACHMENTS IF THEY ARE WET.**



## CAUTION

*Attachments used in dirty areas (under a refrigerator) should not be used on other surfaces until they are washed. They could leave marks.*

# POWER-MATE™ CARE

Always follow all safety precautions when cleaning and servicing the POWER-MATE.™

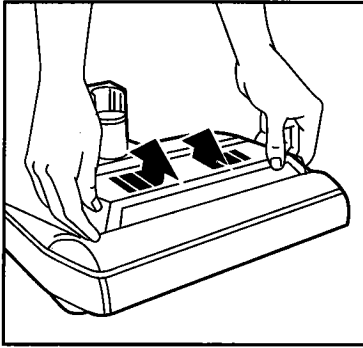


## WARNING

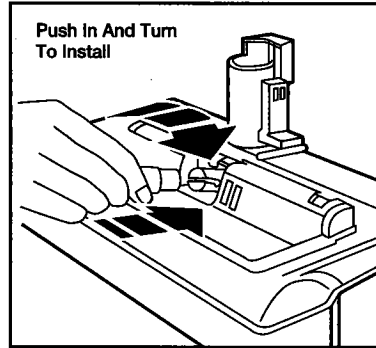
### Electrical Shock Or Personal Injury Hazard

*Disconnect electrical supply before servicing or cleaning the unit. Failure to do so could result in electrical shock or personal injury from cleaner suddenly starting.*

# LIGHT BULB CHANGING



1. Remove light cover by pressing in and lifting both sides as shown.



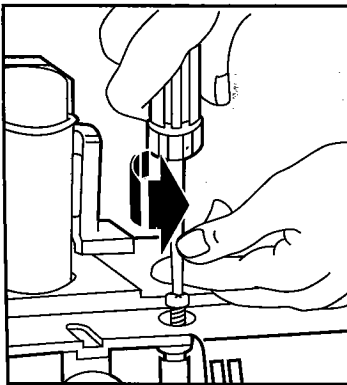
Push in And Turn To Install

2. Push in and turn bulb counterclockwise to remove.  
3. Replace with bulb. Bulb must not be higher than 15 watts. Close light cover until it snaps in place.

# BELT CHANGING AND BRUSH CLEANING

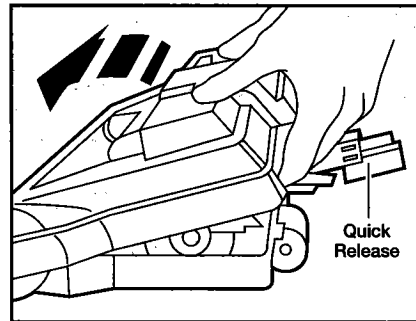
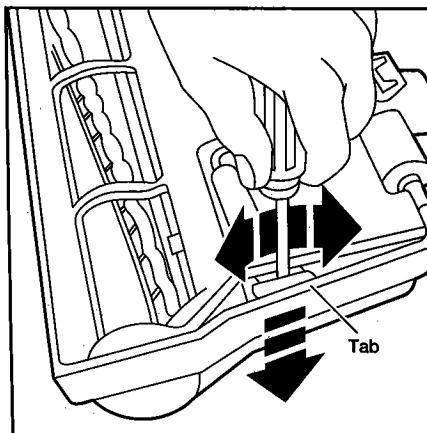
**Disconnect cleaner from electrical outlet.** Check and remove hair, string and lint build-up frequently in the POWER-MATE™ brush and brush support areas. If build-up becomes excessive, disconnect POWER-MATE™ from wand and follow the steps below. Instructions can also be found under the light cover.

## TO REMOVE BELT:



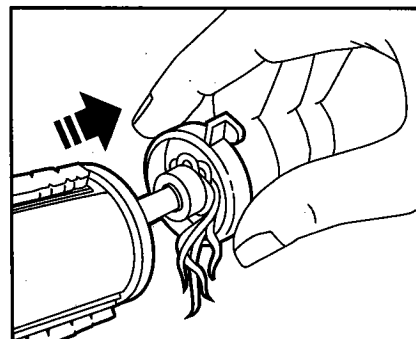
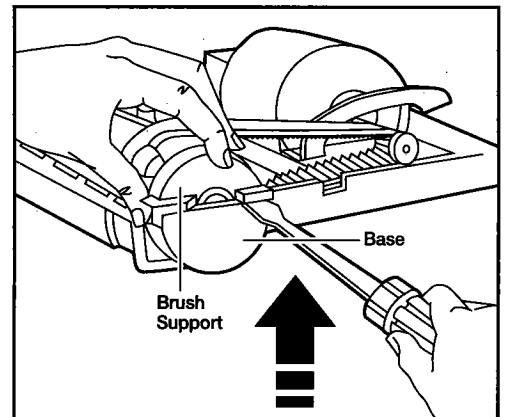
1. Remove light cover and light bulb as shown under "LIGHT BULB CHANGING."  
2. Unscrew the POWER-MATE™ cover screws.

3. Turn POWER-MATE™ over. To remove cover, insert screwdriver at cover tabs on both sides and twist to release tabs.



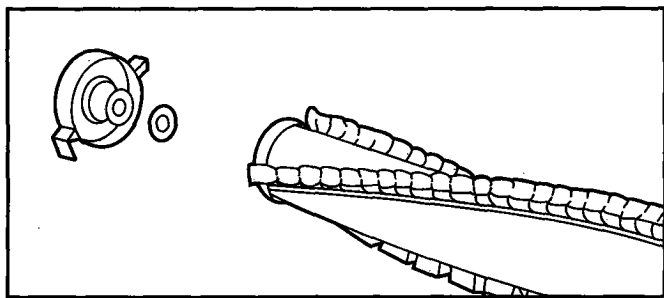
4. Turn POWER-MATE™ right side up. Press handle release pedal and lower the swivel. Tilt cover forward from back until front snaps free.

5. Carefully insert and twist screwdriver at each brush support to free brush from base.



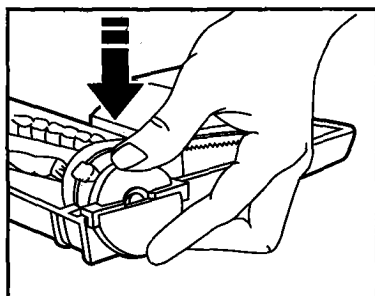
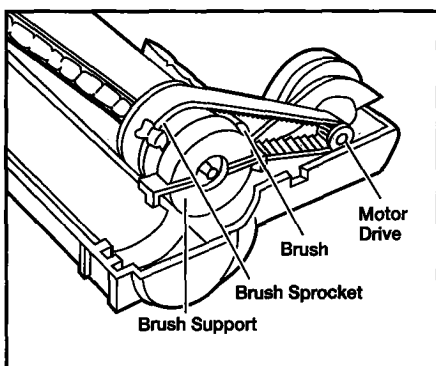
6. Remove worn belt.  
7. Slide brush supports off to check and clean brush support areas. See page 15 for picture of complete brush assembly.

## TO REPLACE BELT:



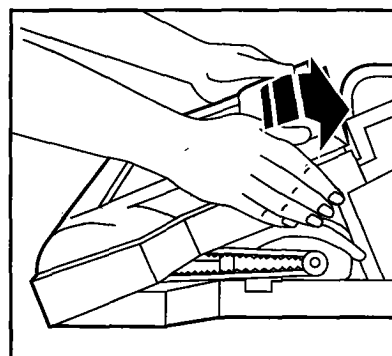
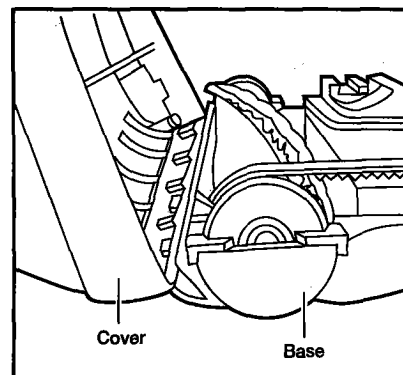
1. Slide washers and brush supports onto brush assembly.

2. Install new belt over motor drive, then over brush sprocket.



3. Snap brush supports into place on base. Be sure brush supports are not upside-down.

4. Line up front of cover and base. Rest cover on front edge of base as shown.



5. Tilt cover to back. Press cover firmly until side tabs snap into place. Replace cover screws, light bulb and light cover.

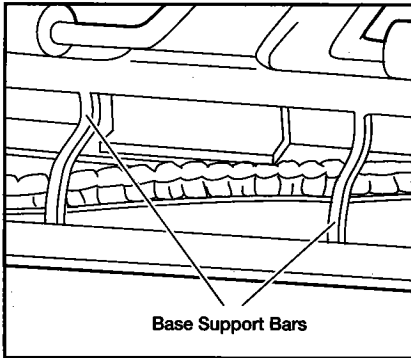
# BRUSH SERVICING



## WARNING

**Electrical Shock Or Personal Injury Hazard**  
*Disconnect electrical supply before servicing or cleaning the unit. Failure to do so can result in electrical shock or personal injury from cleaner suddenly starting.*

### TO CHECK BRUSH:



- When brushes are worn to the level of the base support bars, replace the brushes.

### TO REPLACE BRUSH:

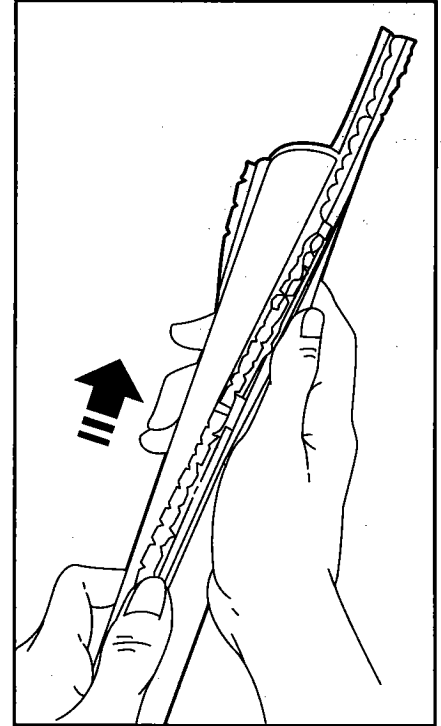
1. Remove POWER-MATE™ cover, belt and brush assembly. (See "To remove belt" in "BELT CHANGING AND BRUSH CLEANING" on page 13.)

2. Remove brush supports, washers, screws, end brush, brush sprocket pieces from ends of brush assembly.

3. Push out worn brushes. If the beater bar is chipped or gouged, replace it.

4. Slide new beater bar and brushes into slots.

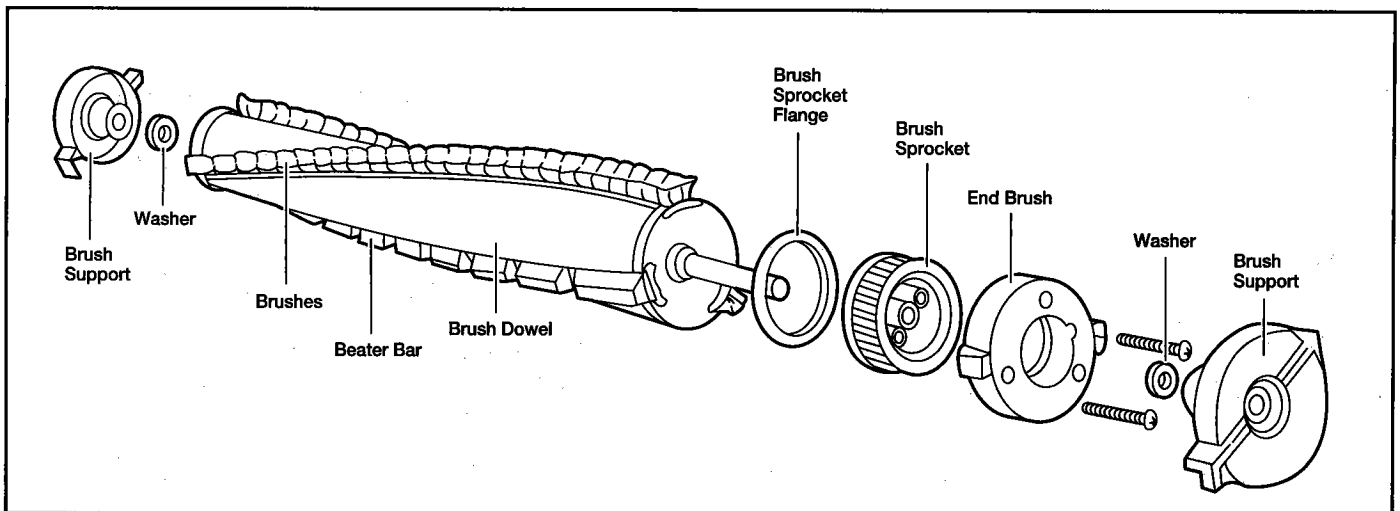
**NOTE: New brushes and beater bar may be easier to install if they are soaked in warm water for a few minutes. Dry thoroughly before installing.**



5. Reassemble brush assembly. To line up screw holes in dowel, sprocket and end brush, be sure beater bar portion of end brush lines up with beater bar on brush dowel.

6. Replace belt, brush assembly, POWER-MATE™ cover, light bulb and light cover. (See "To replace belt" in "BELT CHANGING AND BRUSH CLEANING" on page 13.)

# BRUSH ASSEMBLY





# ≡≡≡ TROUBLESHOOTING

Review this chart to find do-it-yourself solutions for minor performance problems.

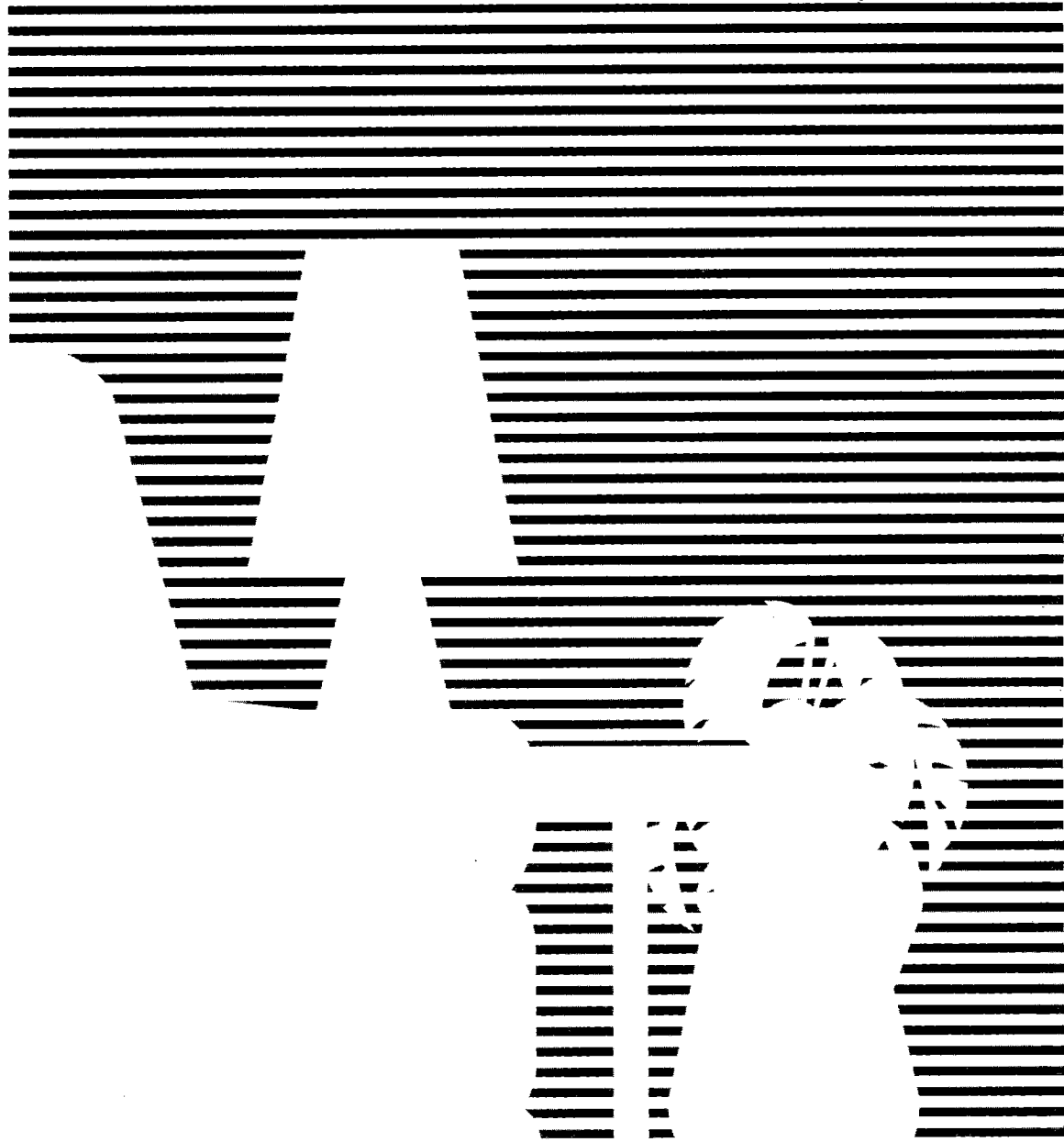


## WARNING

*Electrical Shock Or Personal Injury Hazard*

*Disconnect electrical supply before servicing or cleaning the unit. Failure to do so could result in electrical shock or personal injury from cleaner suddenly starting.*

PROBLEM	POSSIBLE CAUSE	POSSIBLE SOLUTION
Cleaner won't start.	<ol style="list-style-type: none"> <li>1. Unplugged at wall outlet.</li> <li>2. Tripped circuit breaker/blown fuse at household service panel.</li> <li>3. Loose electrical connections.</li> <li>4. Tripped Overload Protector in POWER-MATE™</li> </ol>	<ol style="list-style-type: none"> <li>1. Plug in firmly, push On/Off switch to ON.</li> <li>2. Reset circuit breaker or replace fuse.</li> <li>3. Reconnect all assembly points. (pages 5, 6).</li> <li>4. Clean brush and brush supports, then reset (pages 13, 14, 15).</li> </ol>
Poor job of dirt pick-up.	<ol style="list-style-type: none"> <li>1. Full or clogged dust bag</li> <li>2. Clogged airflow passages.</li> <li>3. Dirty motor safety filter.</li> <li>4. Wrong pile height setting.</li> <li>5. Open suction control.</li> <li>6. Hole in hose.</li> <li>7. Worn POWER-MATE™ brushes.</li> <li>8. Worn or broken belt.</li> <li>9. Dirty brush or brush supports.</li> <li>10. Canister hood open.</li> </ol>	<ol style="list-style-type: none"> <li>1. Change bag, (page 11).</li> <li>2. Clear airflow passages, (page 11).</li> <li>3. Clean filter, (page 12).</li> <li>4. Adjust setting, (page 8).</li> <li>5. Adjust control, (page 10).</li> <li>6. Replace hose.</li> <li>7. Change brushes, (page 15).</li> <li>8. &amp; 9. See "BELT CHANGING AND BRUSH CLEANING," (pages 13, 14, 15).</li> <li>10. Close and latch hood.</li> </ol>
Cleaner starts but cuts off.	<ol style="list-style-type: none"> <li>1. Hose or hood electrical connections.</li> <li>2. Tripped Overload Protector in POWER-MATE™</li> <li>3. Tripped Overload Protector in canister.</li> </ol>	<ol style="list-style-type: none"> <li>1. Check connections, reconnect hose ends, (pages 6).</li> <li>2. Remove any items that may be caught or jammed, then reset. If cleaner starts and stops again, clean brush and brush supports, then reset, (pages 13, 14, 15).</li> <li>3. Change dust bag, clear airflow blockage, (page 11). Wait 20 minutes for motor to cool and automatically reset.</li> </ol>
POWER-MATE™ will not run.	<ol style="list-style-type: none"> <li>1. POWER-MATE™ connections unplugged.</li> <li>2. Worn or broken belt in POWER-MATE™</li> <li>3. Dirty brush or brush supports.</li> <li>4. Tripped Overload Protector in POWER-MATE™</li> </ol>	<ol style="list-style-type: none"> <li>1. Plug in firmly, (page 5).</li> <li>2. &amp; 3. See "BELT CHANGING AND BRUSH CLEANING," (page 13).</li> <li>4. Check brush area for excessive lint build-up or jamming. Clean brush and brush supports, then reset, (pages 13, 14, 15).</li> </ol>
Performance indicator light on.	<ol style="list-style-type: none"> <li>1. Full or clogged dust bag.</li> <li>2. Dirty motor safety filter.</li> <li>3. Blocked airflow passage.</li> <li>4. Certain attachment tools.</li> </ol>	<ol style="list-style-type: none"> <li>1. Change bag, (page 11).</li> <li>2. Clean filter, (page 12).</li> <li>3. Clear blockage from airflow passage, (page 11).</li> <li>4. This is normal. Light should go off when tool is removed.</li> </ol>
Cleaner picks up movable rugs –OR– POWER-MATE™ pushes too hard.	<ol style="list-style-type: none"> <li>1. Wrong pile height setting.</li> <li>2. Suction too strong.</li> </ol>	<ol style="list-style-type: none"> <li>1. Adjust setting, (page 8).</li> <li>2. Open suction control, (page 10).</li> </ol>
Light won't work.	<ol style="list-style-type: none"> <li>1. Burned out bulb.</li> </ol>	<ol style="list-style-type: none"> <li>1. Change bulb, (page 13).</li> </ol>
Cord won't rewind.	<ol style="list-style-type: none"> <li>1. Dirty power cord.</li> <li>2. Cord jammed.</li> </ol>	<ol style="list-style-type: none"> <li>1. Clean the power cord.</li> <li>2. Pull out cord and rewind.</li> </ol>
Cleaner leaves marks on carpet.	<ol style="list-style-type: none"> <li>1. Wrong vacuuming pattern.</li> </ol>	<ol style="list-style-type: none"> <li>1. See "VACUUMING TIPS," (page 8).</li> </ol>



**SEARS**

**SEARS, ROEBUCK AND CO., HOFFMAN ESTATES, IL 60195 U.S.A.**

**PART NO. CØ1ZKN1ØUØØ-4369329A**  
**Printed in U.S.A.**

---