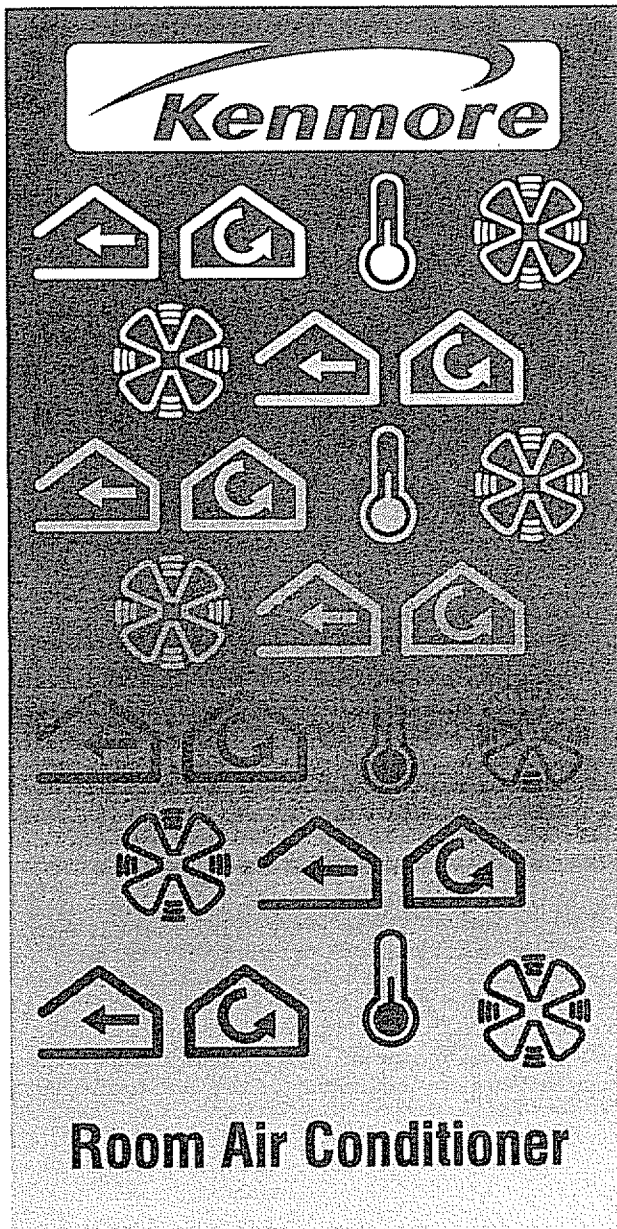


SEARS Owner's Guide



Record Your Model and Serial Numbers	Cover
Important Safety Instructions	2
Energy Saving Ideas	2
How and Why	3
Normal Sounds	3
Front Installation	4-5
Using the Air Conditioner	6
Air Conditioner Features	6-7
Care and Cleaning	7-8
Routine Maintenance	9
Troubleshooting Guide	10
Sears Service	11
Warranty	11

Read and Save These Instructions

This Owner's Guide provides specific operating instructions for your model. Use the air conditioner only as instructed in this guide. These instructions are not meant to cover every possible condition and situation that may occur. Common sense and caution must be practiced when installing, operating, and maintaining any appliance.

Record Your Model and Serial Numbers

Record in the space provided below the model and serial numbers. The serial plate is located behind the left front louvers. Reading the numbers may be easier by using a flashlight or by removing the cabinet front as instructed under "Care and Cleaning." On some models, the serial plate is located on the outside of the cabinet.

Model Number: _____

Serial Number: _____

Purchase Date: _____

Sears, Roebuck and Co., Hoffman Estates, IL 60179 U.S.A.

Important Safety Instructions

Read all instructions before using this air conditioner.

⚠️ WARNING For Your Safety

Do not store or use gasoline or other flammable vapors and liquids in the vicinity of this or any other appliance. Read product labels for flammability and other warnings.

⚠️ WARNING Prevent Accidents

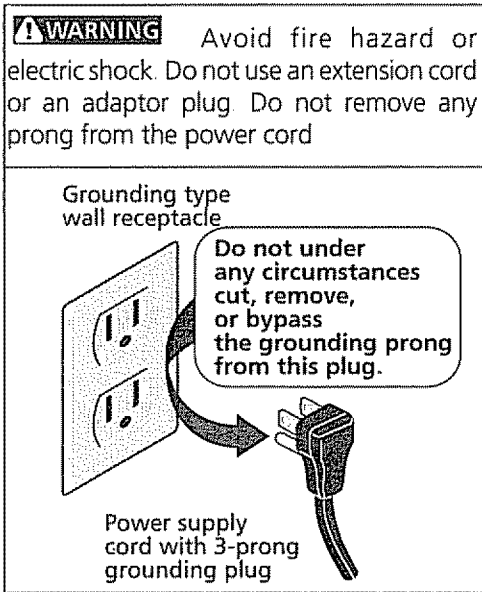
To reduce the risk of fire, electrical shock, or injury to persons when using your air conditioner, follow basic precautions, including the following:

- Be sure the electrical service is adequate for the model you have chosen.
- If the air conditioner is to be installed in a window, you will probably want to clean both sides of the glass first. If the window is a triple-track type with a screen panel included, you may want to remove the screen completely before installation.
- Be sure the air conditioner has been securely and correctly installed according to the separate installation instructions provided with this manual. Save this manual and installation instructions for possible future use in removing or reinstalling this unit.
- When handling the air conditioner, be careful to avoid cuts from sharp metal fins on front and rear coils.

⚠️ WARNING Electrical Information

The complete electrical rating of your new room air conditioner is stated on the serial plate. Refer to the rating when checking the electrical requirements.

- Be sure the air conditioner is properly grounded. To minimize shock and fire hazards, proper grounding is important. The power cord is equipped with a three-prong grounding plug for protection against shock hazards.
- Your air conditioner **must** be used in a properly grounded wall receptacle. If the wall receptacle you intend to use is not adequately grounded or protected by a time delay fuse or circuit breaker, have a qualified electrician install the proper receptacle.
- Do not run air conditioner with outside protective cover in place. This could result in mechanical damage within the air conditioner.
- **Do not use an extension cord or an adapter plug.**



Energy Saving Ideas



- The capacity of the room air conditioner must fit the room size for efficient and satisfactory operation.
- Install the room air conditioner on the shady side of your home. A window that faces north is best because it is shaded most of the day.
- Do not block air flow inside with blinds, curtains or furniture; or outside with shrubs, enclosures, or other buildings.
- Close the fireplace damper, floor and wall registers so cool air does not escape up the chimney and into the duct work.
- Keep blinds and drapes in other windows closed during the sunniest part of the day.
- Clean the air filter as recommended in the section "Care and Cleaning."
- Proper insulation and weather stripping in your home will help keep warm air out and cool air in.
- External house shading with trees, plants or awnings will help reduce the air conditioner's work load.
- Operate heat producing appliances such as ranges, washers, dryers and dishwashers during the coolest part of the day.

How and Why

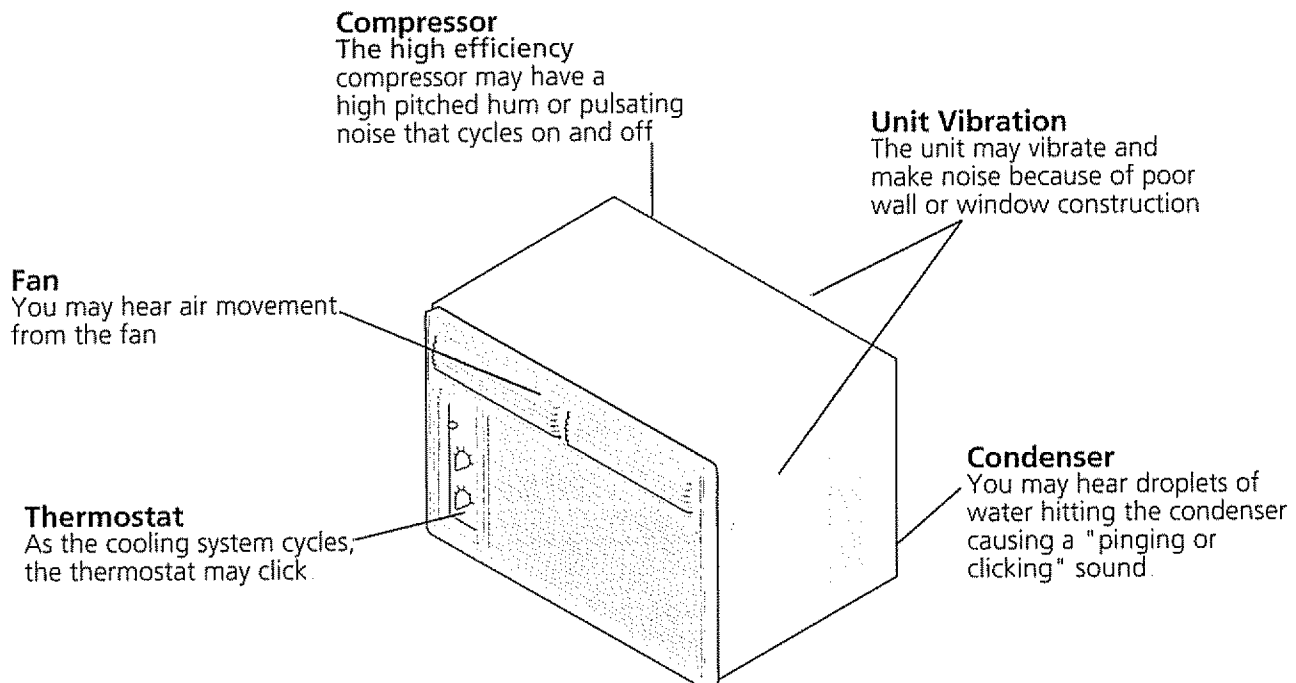
Your room air conditioner provides the following functions to make hot weather living more comfortable:

- Cools and circulates room air.
- Lowers humidity by removing excess moisture.
- Filters out summertime dust, dirt, and some airborne impurities.

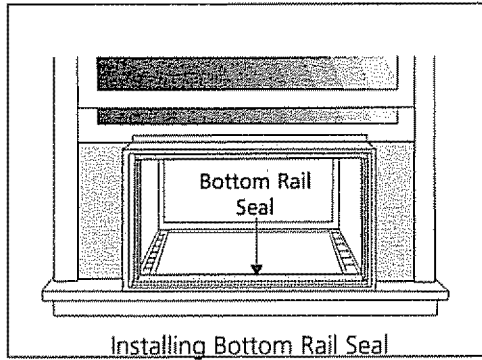
The air conditioner performs these functions by drawing room air through a filter which traps dust and dirt particles. The air then passes over a cooling coil which refrigerates the air and removes excess moisture. The same air is then returned to the room— cooler, drier and cleaner. Moisture removed from the room air is carried to the outside and evaporated.

Your air conditioner is designed to be easy to operate and to provide plenty of cooling power.

Normal Sounds



Front Installation



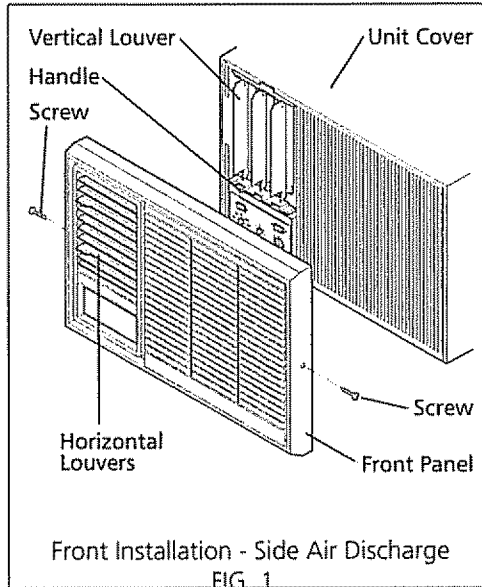
Installing Bottom Rail Seal (some models)

Some models are shipped in a removable sleeve that must be positioned properly for safe and efficient sealing. Follow the Installation Instructions supplied. To install the Bottom Rail Seal, position the seal on top of the bottom rail, flush with the front edge of the rail and in contact with the side seals.

Manual Vertical Louver Adjustment (side air discharge)

Complete this adjustment before installing front panel.

1. Adjust the vertical louvers to the straight position by using the handle.
2. The dial plate and knobs are packed separately. To install them, refer to **Installing the Dial Plate and Front Frame** section on the next page.



Front Installation - Some Side Air Discharge Models (FIG. 1)

Install the front panel with filter as follows:

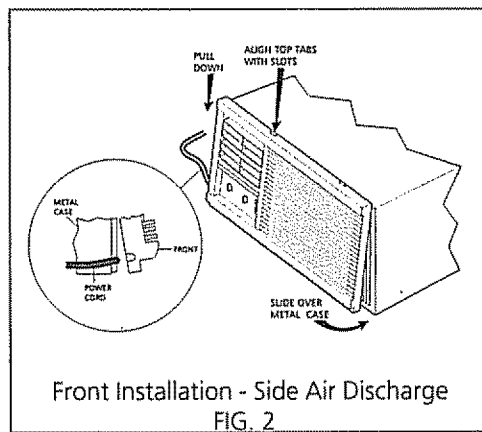
1. Adjust the horizontal louvers to the straight position. Hold the front straight until the vertical louver handle lines up between the bottom horizontal louver and the discharge opening.
2. Press the front straight onto the cabinet until the holes in the flange of the plastic front line up with the screw holes in the metal cabinet. Fasten the front panel in place with the two screws provided.

Front Installation - Some Side Air Discharge Models (FIG. 2)

1. Position the top of the decorative front cover onto the top flange of metal case and then align the tabs on the front with slots in metal case.
2. Carefully pull down on the front cover to engage top tabs while pushing the front cover over the metal case. To ensure proper alignment the side locking tabs will "click" when the front cover is properly installed.

Note: Power cord must be held in position inside metal case half-round relief while sliding front cover over metal case.

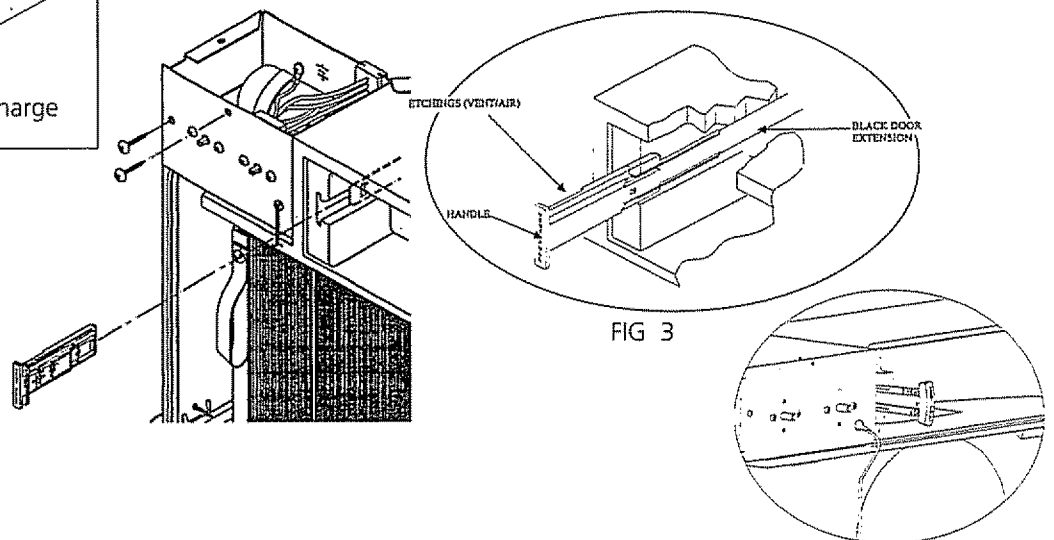
3. Install the front cover retaining screw at the bottom of the unit.



Installing the Vent Control (on some models)

The vent control handle is included in the decorative front kit (Fig. 3). The handle must be installed before the decorative front is attached. See illustration below.

1. Insert the handle with the "Etchings (Vent/Air)" facing to the left.
2. Slip the black door extension into the split at the end of the handle.
3. For ease of assembly, Push the handle in while pressing the door extension against the foam until the two pieces lock together.
4. Move handle in and out to be sure vent is operating properly.

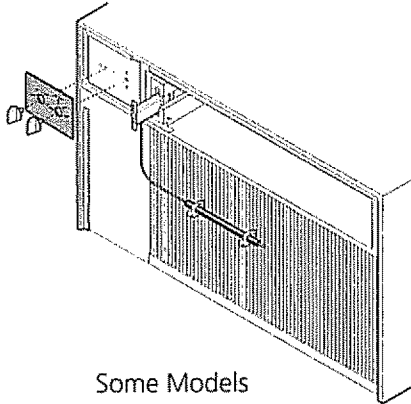


Front Installation (continued)

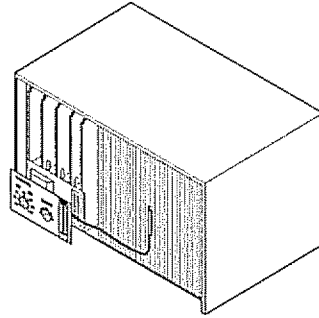
Installing Dial Plate and Front Frame

Some models require installation of the dial plate and the front panel of the air conditioner included in a decorative kit. To assemble, follow these steps.

STEP 1: INSTALL DIAL PLATE AND BUTTONS OR KNOBS:



Some Models



Side Air Discharge

- Remove control knobs from front kit (some models).
- Carefully remove protective film from the front of the dial plate (some models).
- Line up holes on dial plate with the correct control stems and push dial plate to control panel surface
- While holding dial plate in place install control knobs on protruding stems.

STEP 2: INSTALL FRONT FRAME TO UNIT.

Decorative Front

- Position the top of the decorative front over the top flange of the case, and align the tabs with the slots in the case
- As you install the front frame to the unit be sure the vent handle is positioned through the front in the proper location.
- Carefully pull down on the front to engage the top tabs, while pushing the front over the case to ensure proper alignment
- The side tabs will "click" when front is seated.
- Install front retaining screw(s) at the bottom of the front (Fig. 1), or behind the filter handle (Fig. 2)

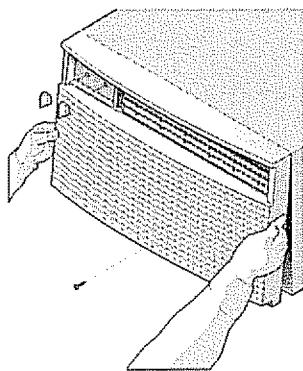


FIG 1

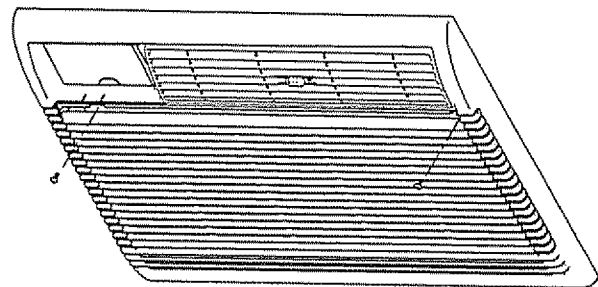


FIG 2

Using the Air Conditioner

WARNING To reduce the risk of fire, electric shock, or injury to persons, read the IMPORTANT SAFETY INSTRUCTIONS before operating this appliance.

To begin operating the air conditioner, follow these steps:

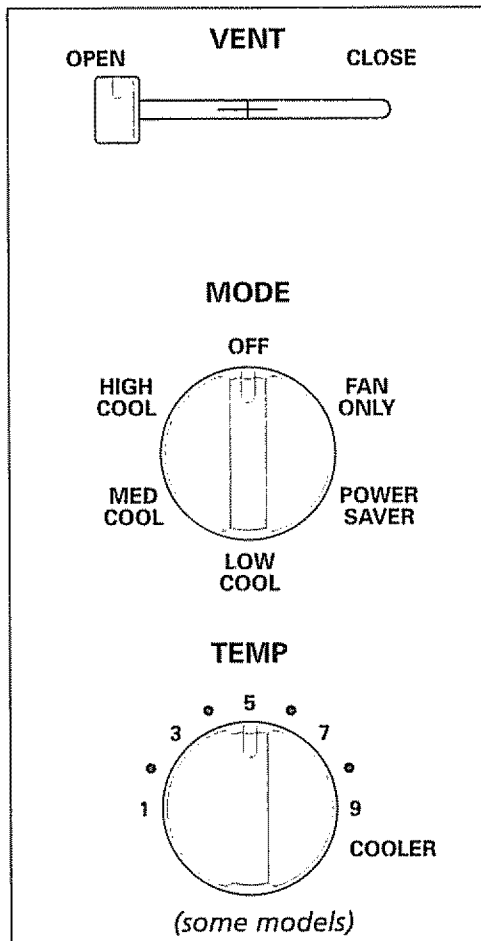
- 1 Plug in the air conditioner. (To prevent electrical hazards, do not use an extension cord or an adapter plug)
- 2 Set the exhaust vent to the CLOSED position
- 3 Set the TEMP Control to the coolest setting
- 4 Set the fan control at the highest level.
- 5 Adjust the louvers for comfortable air flow.
- 6 Once the room has cooled, select the POWER SAVER MODE and/or adjust the TEMP Control to the setting you find most comfortable

NOTE: If the air conditioner is turned off, wait 3 minutes before restarting. This allows pressure inside the compressor to equalize. Failure to follow these instructions may cause inefficient operation.

Review the "Air Conditioner Features" section for other settings

Air Conditioner Features

The controls featured in this manual are representational of the many models available. Your model may look slightly different.



TEMP Control

The TEMP Control serves as the thermostat to set the degree of room coolness. Turn the knob clockwise from 1 to 9 to increase the cooling temperature.

COOL MODES

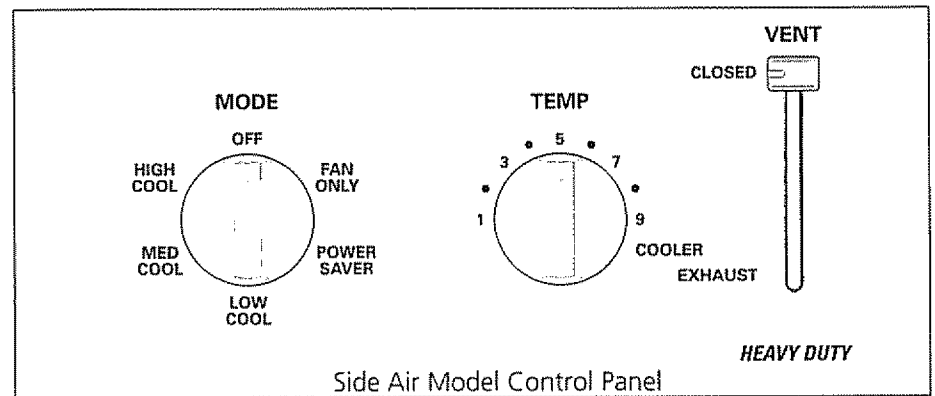
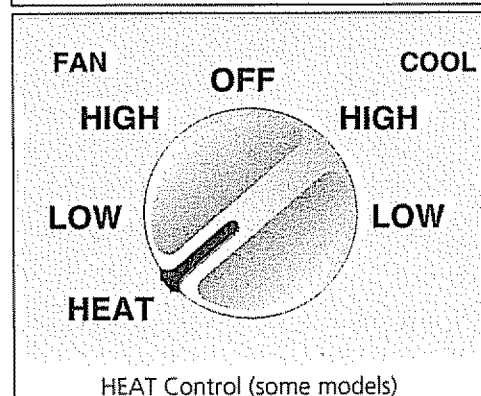
When in one of the COOL settings, the air conditioner runs all the time, circulating the air. Cooling starts only if the room temperature rises above the coolness level selected on the TEMP Control, and stops once the set coolness level is reached. This setting gives the most even room temperatures.

POWER SAVER MODE (some models)

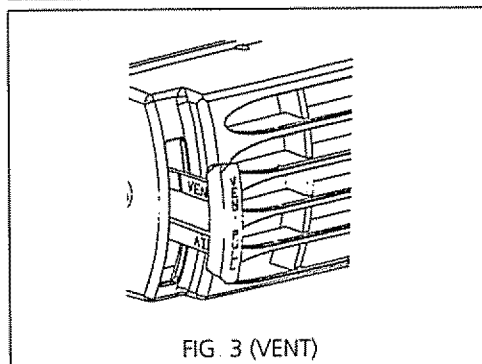
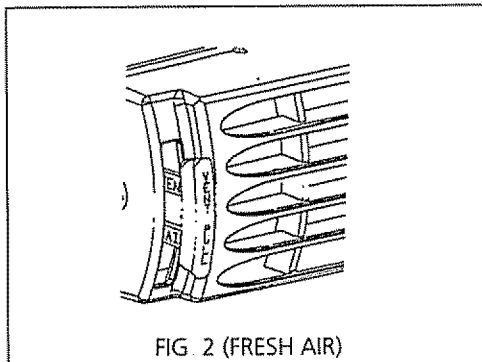
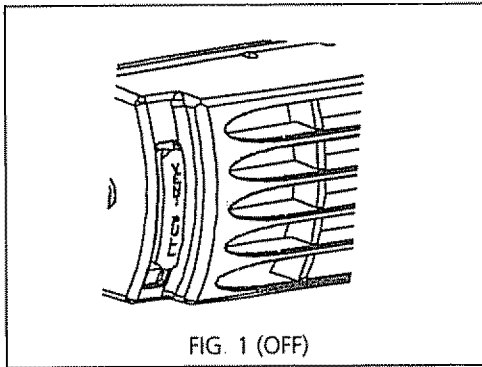
The POWER SAVER MODE can save energy. In this setting, the fan will not run unless the TEMP Control is set colder than the room temperature. When the TEMP Control is set colder than room temperature, the air conditioner will begin to circulate the air in the room. Cooling will begin in about 3 minutes. The air conditioner turns off automatically when the room reaches the level of coolness selected. HIGH COOL is for fast cooling, MED. COOL is for normal cooling, and LOW COOL is for quiet cooling.

HEAT (some models)

The HEAT selection provides quiet, efficient circulation of warm air. Turn the selector to the HEAT setting and set the thermostat to the warmest setting. When the HEAT setting is selected, the thermostat maintains the temperature by automatically turning the heater on and off in response to room temperature. Once the room is warm, adjust the thermostat to a cooler setting. The fan runs continuously to circulate air in the room.



Air Conditioner Features (continued)



A slight heat odor may come from the unit when first switching to HEAT after the cooling season is over. This odor, caused by fine dust particles on the heater, will disappear quickly.

Vent Control

The Vent Control allows the air conditioner to either recirculate inside air (CLOSED) or exhaust air to the outside (OPEN)

- The CLOSED position is used when maximum cooling is desired. It may also be used for air recirculation without cooling when the air conditioner is set in the FAN position.
- The OPEN position removes stale air from the room and exhausts it to the outside. Fresh air is drawn into the room through normal air passages found in homes.
- The OPEN or CLOSED position can be used with any fan selection.
- For compact models, push the slide in to CLOSE, pull out to OPEN

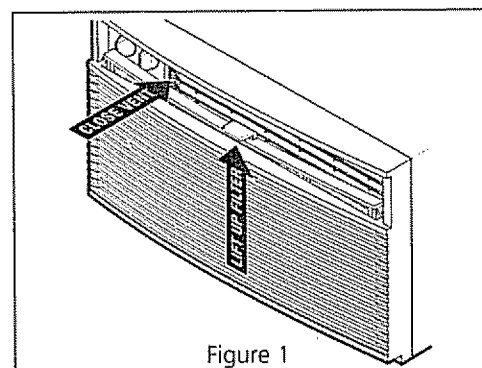
Fresh Air Vent Control

The Fresh Air Vent allows the air conditioner to recirculate inside air (OFF), draw air into the room (FRESH AIR) or exhaust stale air to the outside (VENT). See Figures 1, 2 & 3 for this operation.

Air Directional Louvers

The air directional louvers control the air flow direction. Adjust louvers up, down, left or right. The outside tabs adjust the air up or down. The center levers direct the air left or right.

Care and Cleaning



Clean your air conditioner occasionally to keep it looking new. **Be sure to unplug the unit before cleaning to prevent shock or fire hazards.**

Air Filter Cleaning

The air filter should be checked at least once a month to see if cleaning is necessary. Trapped particles in the filter can build up and cause an accumulation of frost on the cooling coils. These conditions reduce cooling capacity. There are two types of filters: the rigid filter and the floppy filter.

Models with rigid filters allow you to remove the filter without removing front:

- Some models, push the vent control handle to the OFF position. Lift the filter straight up and out (Figure 1)

Care and Cleaning cont.

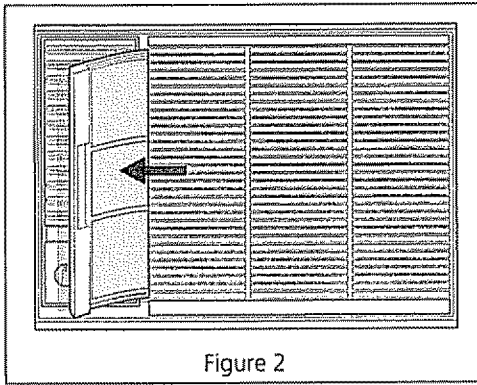


Figure 2

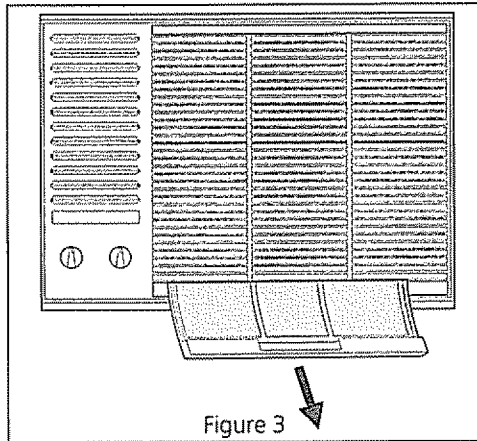


Figure 3

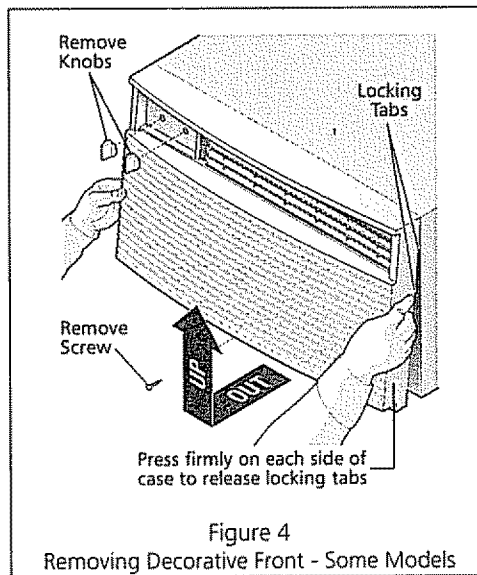


Figure 4
Removing Decorative Front - Some Models

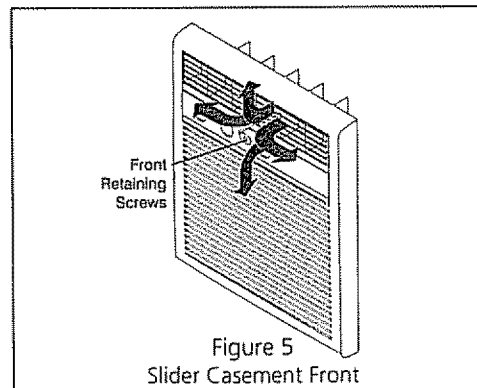


Figure 5
Slider Casement Front

- 6-way louver models have a slide out filter. Grasp the formed handle of the filter and pull it to the left, removing it from the front panel (Figure 2).
- For most installations in the window, this front may need to be removed to access the filter for cleaning (Figure 3). To remove the front, reverse the installation process for Side Air Discharge Models shown in Front Installation.
- Some models require the louvers to be tilted in the up position, before pulling the filter out. Place the thumb under the center handle and pinch the top of the filter bar with your forefinger while pulling the filter up and out as shown in Figure 6

Wash filter using a liquid dishwashing detergent and warm water. Rinse filter thoroughly. Gently shake excess water from the filter. Dry filter thoroughly before replacing.

Cabinet Cleaning

- Be sure to unplug the air conditioner to prevent shock or fire hazard. The cabinet and front may be dusted with an oil-free cloth or washed with a cloth dampened in a solution of warm water and mild liquid dishwashing detergent. Rinse thoroughly and wipe dry.

- Never use harsh cleaners, wax or polish on the cabinet front.
- Be sure to wring excess water from the cloth before wiping around the controls. Excess water in or around the controls may cause damage to the air conditioner.
- The cabinet front can be removed for more thorough cleaning. Refer to "Front Installation" in this manual and Figures 4 and 5.
- Clean the front in a sink using liquid dishwashing detergent and warm water. Rinse thoroughly and dry. Be careful not to disturb soft seals on the front.
- Replace cabinet front. Replace the screws or hex nuts.
- Replace front panel and filter. Plug in air conditioner.

Decorative Front and Dial Plate Removal

1. Unplug power cord from the wall outlet.
2. Remove knobs by pulling firmly, and then remove dial plate. Remove front retaining screw from the front (see Figure 4 or 5 for screw location, whichever is similar to your model).
3. Press firmly on each side of the metal case close to the front, approximately half way down for Figure 4, or 2/3 the way down from Figure 5 from the top of the front.
4. While pressing on the sides of the metal case, gently pull the front out and lift up to release it from the case.

To reinstall:

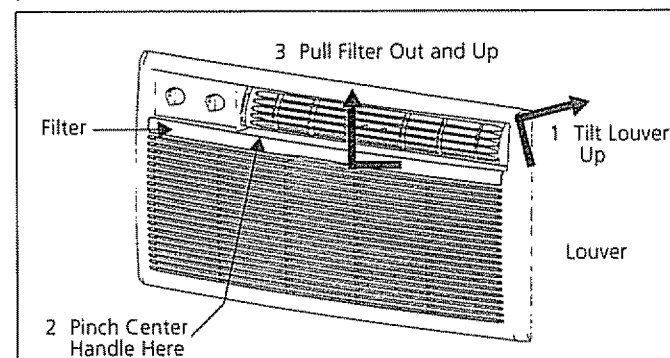
Proper reinstallation of decorative front is important for both safety and performance.

2. Position the top of the decorative front on the top flange of the case and align the tabs on the front with the slots in the case. On some models remove the filter to expose the two (2) front retaining screws.
3. Carefully pull down on the front to engage the top tabs while pushing the front over the case to ensure proper alignment. The side locking tabs will "click" when the front is properly installed.
4. Install the front retaining screw (see Figure 4 or 5 for screw location, whichever is similar to your model).
5. Install the knobs by aligning them with their shafts and pushing firmly into place.

Winter Storage

If you plan to store the air conditioner during the winter, remove it carefully from the window according to the installation instructions. Cover it with plastic or return it to the original carton.

NOTE: To prevent rust or electrical connections from being damaged, store air conditioner in an upright position and a dry place. A winter cover can be purchased from your dealer. The cover will protect the air conditioner when it is left in place through the winter.



Routine Maintenance

Winter Storage

If you plan to store the air conditioner during the winter, remove it carefully from the window according to the installation instructions. Cover it with plastic or return it to the original carton. **NOTE: To prevent rust or electrical connections from being damaged, store air conditioner in an upright position and a dry place.** A winter cover can be purchased from your dealer. The cover will protect the air conditioner when it is left in place through the winter.

⚠ WARNING Before performing any service, unplug the power cord from the electrical outlet.

After servicing, reverse the following procedures to reinstall the air conditioner.

Cleaning the Cabinet Front

Remove the front panel. Wash with warm, sudsy water. Rinse and dry with a soft cloth. Never use solvents, cleaning fluids, abrasive cleaners or strong detergents. If the packaging leaves a gum residue, remove with a cloth dipped in rubbing alcohol.

Repairing Paint Damage

Inspect weather-exposed parts (cabinet shell, mounting hardware, if used, etc.) once or twice a year, especially in areas near oceans or where rust is a problem. If needed, touch up with a good grade of exterior paint.

Cleaning Inside the Air Conditioner

⚠ CAUTION No Liquid should get into the motor, electrical control box, or compressor electrical terminals.

1. Remove front panel.
2. With help and using the proper lifting methods to avoid personal injury, remove the chassis from cabinet shell.* When removing the air conditioner from cabinet shell or window, there may be water inside the base that may spill on the floor. Be careful to avoid cuts from sharp metal fins on the front and rear coils.
3. Liquids should not get into electrical parts. Wrap the fan motor, electrical control box, and electrical terminals in plastic. This will keep water or other liquid from getting inside where it could damage the insulation and cause serious trouble.
4. Clean and hose out base, coils, and water pans. Clean at least once a year or more often if the coils and pans collect dirt, sand, leaves, algae, or insects.
5. After cleaning, remove plastic protection. Wait 24 hours before starting the unit again. This allows time for all areas to dry out.

NOTE: Water from rainfall or from normal use does not harm these components since the water is not as forcefully driven into parts as a stream of water from a garden hose.

***HANDLE NOTE:** If the air conditioner has a chassis handle, it is NOT intended for lifting the unit. It is for sliding the chassis WITHIN the cabinet shell only (to aid in cleaning, maintenance, etc.)



Room Air Conditioner Troubleshooting Guide

THE AIR CONDITIONER WILL NOT OPERATE

Check if...	Then...
The power supply cord is unplugged.	Firmly plug the cord into a live outlet with proper voltage.
A household fuse has blown or circuit breaker tripped.	Replace the fuse or reset the circuit. Make sure the unit is plugged into a properly grounded receptacle as described in the Owners Manual provided with the unit.
The Fan Control is set to OFF	Set Fan Control to the desired setting.

THE UNIT BLOWS FUSES OR TRIPS CIRCUIT BREAKER

Check if...	Then...
Too many appliances are being used on the same circuit.	Unplug or relocate appliances that share the same circuit.
An extension cord is being used with the unit.	Do not use an extension cord to run the air conditioner.
The unit is being restarted immediately after turning off cooling circuit.	Wait three minutes after turning off cooling circuit before trying to restart unit.

THE AIR CONDITIONER TURNS ON AND OFF, OR DOES NOT COOL ROOM

Check if...	Then...
The filter is dirty or obstructed by debris.	Clean filter using a vacuum cleaner or wash filter in warm water and a mild detergent. Dry thoroughly before reuse.
The coils are dirty or obstructed by debris. Check both inside evaporator and outside condenser coils.	Call the local Sears store to inspect and clean the coils and condensate water passages. OR If familiar with electrical appliances perform the required cleaning by carefully following the maintenance instructions provided with the unit.
There is excessive moisture or heat in the room being cooled (cooking, hot showers, etc.)	Use exhaust vent fans while cooking or bathing and try not to use heat-producing appliances during the hottest part of the day.
The Fan Control is on a Power Saver/ Energy Saver setting.	Use NORMAL settings for best comfort. When the Power Saver settings are in use, the fan does not circulate the room air continuously.
The Vent Control is set to OPEN or EXHAUST.	Set the Vent Control to CLOSED for maximum cooling.
The Temperature Control is not at a cool enough setting.	Set the Temperature Control to a cooler setting.

WATER DRIPS FROM THE CABINET INTO THE HOUSE

Check if...	Then...
The unit is not leveled properly. The unit should slope slightly downward to the outside.	Level the air conditioner to provide a 1/4" downward slope to the outside (1/2 bubble on carpenter's level) to provide proper drainage. Reposition or shim the cabinet as necessary. DO NOT drill a hole in the drain pan.

THE AIR CONDITIONER SEEMS TO RUN TOO MUCH

Check if...	Then...
The current unit replaced an older model.	The use of more efficient components may cause the unit to run longer than an older model, but the total energy consumption will be less. Newer units do not emit the "blast" of cold air you may be accustomed to from older units, but this IS NOT an indication of lesser cooling capacity or efficiency. Refer to the efficiency rating (EER) and capacity rating (in BTUs) marked on the unit.
The unit is in a heavily occupied room or heat-producing appliances are in use in the room.	Use exhaust vent fans while cooking or bathing. Try not to use heat-producing appliances during the hottest part of the day. A higher capacity unit may be required depending on the size of the room being cooled.

TYPICAL AIR CONDITIONER SOUNDS YOU MAY HEAR:

Condenser- You may hear droplets of water hitting the condenser, causing a "pinging" or "clicking" sound.

Unit Vibration- The unit may vibrate and make noise because of poor wall or window construction.

Fan- You may hear air movement from the fan.

Compressor- The modern high efficiency compressor may have a high pitched hum or pulsating noise that cycles on and off.

Thermostat- As the cooling system cycles, the thermostat may click.

Warranty

WARRANTY

Full One-Year Warranty on Air Conditioner

For one year from date of purchase, when this air conditioner is operated and maintained for normal room cooling according to instructions in this owner's manual, Sears will repair it, free of charge, if defective in material or workmanship

Full Five-Year Warranty on Sealed Refrigeration System

For five years from the date of purchase, when this air conditioner is operated and maintained for normal room cooling according to instructions in this owner's manual, Sears will repair the sealed refrigeration system (consisting of refrigerant, connecting tubing, and compressor), free of charge, if defective in material or workmanship

Warranty Service

Warranty service is available by contacting the nearest service center in the United States

This warranty gives you specific legal rights, and you may have other rights which vary from state to state

SEARS, ROEBUCK and CO. Dept. 817WA, Hoffman Estates, IL 60719

Sears Service

Maintenance Agreement

"We Service What We Sell" is our assurance you can depend on Sears for service. Your air conditioner has added value when you consider that Sears has service units nationwide, staffed with professional technicians trained on all appliances Sears sells. They have the knowledge and skills, tools, parts, and equipment to insure our pledge to you that "We Service What We Sell."

Sears Maintenance Agreement

Maintain the value of your air conditioner with a Sears Maintenance Agreement. Sears air conditioners are designed, manufactured, and tested for years of dependable operation. Yet, any modern appliance may require service from time to time. The Sears Maintenance Agreement offers you an outstanding service program for your air conditioner.

The Sears Maintenance Agreement

- Is your way to buy tomorrow's service at today's price
- Eliminates repair bills resulting from normal use.
- Allows for as many service calls as required
- Provides an annual Preventive Maintenance Check at your request to keep your Air Conditioner in proper running condition.

For more information, call 1-800-827-6655

For in-home major brand repair service:

Call 24 hours a day, 7 days a week

1-800-4-MY-HOMESM (1-800-469-4663)

Para pedir servicio de reparación a domicilio – 1-800-676-5811

In Canada for all your service and parts needs call – **1-800-665-4455**
Au Canada pour tout le service ou les pièces

For the repair or replacement parts you need:

Call 7 am – 7 pm, 7 days a week

1-800-366-PART (1-800-366-7278)

Para ordenar piezas con entrega a domicilio – 1-800-659-7084

For the location of a Sears Parts and Repair Center in your area:

Call 24 hours a day, 7 days a week

1-800-488-1222

**For information on purchasing a Sears Maintenance Agreement
or to inquire about an existing Agreement:**

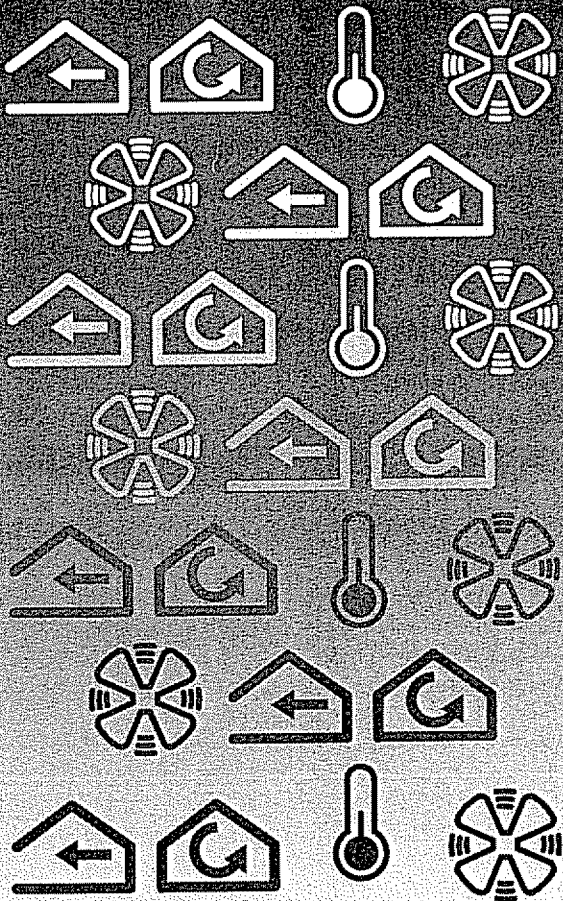
Call 9 am – 5 pm, Monday – Saturday

1-800-827-6655



The Service Side of SearsSM

SEARS Guide du propriétaire



Room Air Conditioner

Enregistrez vos numéros de modèle et de série ...	Couverture
Importantes instructions de sécurité	2
Idées pour économiser l'énergie	2
Comment et pourquoi	3
Bruits normaux	3
Montage de la partie avant	4-5
Utilisation du climatiseur	6
Caractéristiques du climatiseur	6-7
Entretien et nettoyage	7-8
Maintenance de routine	9
Guide de recherche de pannes	10
Service Sears	11
Garantie	11

Lire ces instructions et les conserver

Ce guide du propriétaire fournit des instructions de fonctionnement spécifiques de votre modèle. N'utilisez le climatiseur que de la façon indiquée dans ce guide. Ces instructions n'ont pas la prétention de couvrir toutes les conditions ou situations susceptibles de se produire. Il faut faire preuve de bon sens et de prudence chaque fois que l'on installe un appareil, qu'on le fait fonctionner ou qu'on en fait la maintenance.

Enregistrez vos numéros de modèle et de série

Utilisez l'espace ci-dessous pour enregistrer vos numéros de modèle et de série. La plaque signalétique est située derrière les volets avant gauches. Ces numéros seront plus facile à lire si vous utilisez une lampe de poche ou si vous enlevez la partie avant de la carrosserie comme cela est indiqué sous "Entretien et nettoyage". Sur certains modèles, la plaque signalétique est située à l'extérieur de la carrosserie.

Numéro de modèle : _____

Numéro de série : _____

Date de l'achat : _____

Sears, Roebuck and Co., Hoffman Estates, IL 60179 U.S.A.

No de pièce 309000817 (9903)

Recommandations pour une utilisation sécuritaire

Veillez lire toutes ces instructions avant d'utiliser le climatiseur

ATTENTION Pour votre sécurité

Ne pas ranger ou utiliser d'essence ou tout autre liquide ou vapeur inflammables à proximité de cet appareil. Lire les étiquettes du produit pour tout indice d'inflammabilité ou toutes autres précautions d'usage.

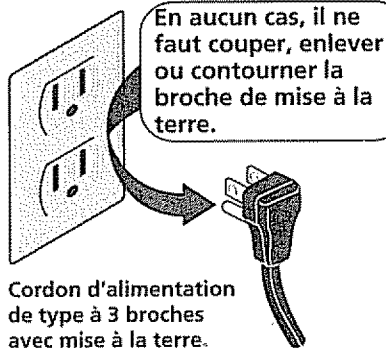
ATTENTION Pour prévenir les accidents

Pour réduire les risques d'incendie, d'électrocution ou de blessures corporelles lors de l'utilisation du climatiseur, veuillez suivre les précautions élémentaires ainsi que les précautions suivantes :

- S'assurer que l'alimentation électrique est adéquate pour votre modèle de climatiseur. Cette information se retrouve sur la plaque d'enregistrement située derrière les volets avant ou encore sur le côté gauche de l'appareil.
- Si le climatiseur doit être installé à travers une fenêtre, assurez-vous de bien nettoyer les deux côtés de la vitre avant l'installation. Si la fenêtre est de type à trois cannelures avec moustiquaire incorporé, enlevez complètement la moustiquaire avant l'installation.
- S'assurer que le climatiseur a été solidement fixé et correctement installé suivant les instructions d'installation fournies séparément avec ce manuel. Conservez ce manuel ainsi que les instructions d'installation pour usage futur en cas d'enlèvement ou de ré-installation de l'appareil.
- Manipulez l'unité avec précaution afin de prévenir les risques de coupures sur les ailettes de refroidissement tranchantes qu'on retrouve sur les serpentins avant et arrière.

ATTENTION Évitez les risques d'incendie et d'électrocution. N'utilisez pas de rallonge ou d'adaptateur. N'enlevez aucune broche sur le cordon d'alimentation électrique.

Boîtier mural de type mise à la terre.



Cordon d'alimentation de type à 3 broches avec mise à la terre.

ATTENTION Informations sur le système électrique

Toutes les spécifications électriques du climatiseur sont indiquées sur la plaque d'enregistrement. Veuillez vous référer à ces spécifications lors de la vérification des besoins électriques.

- S'assurer que le climatiseur est correctement mis à la terre. Afin de minimiser les risques d'incendie et d'électrocution, une mise à la terre adéquate est requise. Le cordon d'alimentation est muni de 3 broches avec mise à la terre pour une protection accrue contre les risques d'électrocution.
- Le climatiseur doit être branché dans une prise murale avec mise à la terre. Si la prise murale dans laquelle le climatiseur doit être branché n'est pas correctement mise à la terre ou protégée par un fusible ou un disjoncteur, un électricien qualifié devra installer une prise adéquate.
- Ne pas faire fonctionner le climatiseur sans préalablement enlever le couvercle protecteur extérieur. Ceci pourrait entraîner un bris mécanique à l'intérieur du climatiseur.
- **Ne pas utiliser de rallonge ou d'adaptateur.**

Conseils pour économiser l'énergie



- **Ne pas gêner ou obstruer le libre écoulement d'air à l'intérieur par des stores, rideaux ou meubles ; et à l'extérieur par des arbustes, clôtures ou autres bâtiments.**
- La puissance du climatiseur doit être adaptée aux dimensions de la pièce afin d'obtenir une efficacité et un rendement satisfaisants.
- Installer le climatiseur du côté de la maison qui se trouve à l'ombre. Une fenêtre orientée vers le nord-est est un bon choix car elle est du côté ombragé pratiquement toute la journée.
- Fermer la clé du foyer, les sorties de chauffage murales ou de plancher afin que l'air frais ne s'échappe pas par la cheminée et/ou par les canalisations de chauffage.
- Garder les rideaux ou les stores fermés dans les autres fenêtres durant les heures d'ensoleillement maximum.
- Nettoyer le filtre à air tel que recommandé dans la section "Nettoyage et entretien".
- Une isolation et un calfeutrage adéquats de votre maison contribueront à garder l'air chaud à l'extérieur et l'air frais à l'intérieur.
- Des zones ombragées à l'extérieur de la maison créées par les arbres, plantes et auvents aideront à réduire la charge du climatiseur.
- Faire fonctionner les appareils ménagers produisant de la chaleur, comme les cuisinières, laveuses, sècheuses et lave-vaisselle, pendant la partie la plus fraîche de la journée.

Comment et pourquoi

Ce climatiseur monobloc vous permet de vivre plus confortablement durant les périodes de chaleur grâce aux fonctions suivantes :

- Il refroidit l'air de la pièce et le fait circuler
- Il diminue l'humidité en enlevant l'excès de vapeur d'eau
- Il filtre l'air pour retenir la poussière, la saleté et certaines impuretés en suspension dans l'air pendant la période de l'été

Le climatiseur remplit ces fonctions en attirant l'air de la pièce sur un filtre qui retient la poussière et les particules de saleté. L'air passe ensuite sur un serpentin de refroidissement qui réfrigère l'air et enlève la vapeur d'eau en excès. Le même air est ensuite renvoyé dans la pièce, plus froid, plus sec et plus propre. La vapeur d'eau retirée de l'air de la pièce est acheminée vers l'extérieur où elle s'évapore.

Votre climatiseur est conçu pour être facile à utiliser et vous fournir de la puissance de refroidissement en abondance

Bruits normaux

Compresseur

Il se peut que le compresseur à haut rendement émette un ronronnement de registre élevé ou des impulsions sonores qui apparaissent et disparaissent de façon cyclique.

Vibration de l'appareil

Il se peut que l'appareil vibre et fasse du bruit à cause d'un défaut de fabrication du mur ou de la fenêtre.

Ventilateur

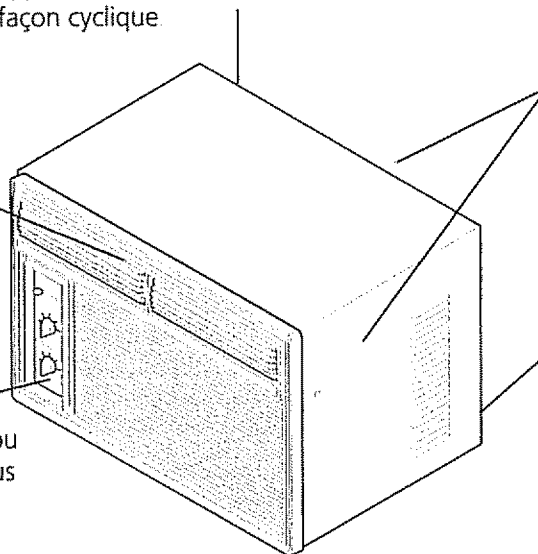
Il se peut que vous entendiez le mouvement de l'air provenant du ventilateur.

Thermostat

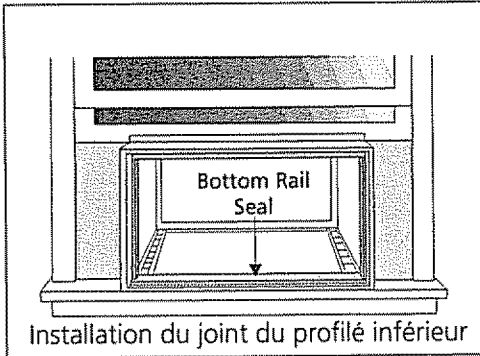
Quand un cycle de refroidissement démarre ou s'arrête, il se peut que vous entendiez un déclic au niveau du thermostat.

Condenseur

Il se peut que vous entendiez des gouttelettes d'eau qui frappent le condenseur, provoquant un bruit de "tintement ou bruissement".



Montage de la partie avant



Installation du joint du profilé inférieur (certains modèles)

Certains modèles sont livrés dans un boîtier amovible qui doit être correctement placé pour obtenir une étanchéité optimale. Suivre les instructions d'installations fournies. Pour mettre en place le joint d'étanchéité du profilé inférieur, placer le joint sur le dessus du profilé inférieur, aligné avec le rebord avant du profilé et en contact avec le joint d'étanchéité latéral.

Ajustement du volet vertical manuel (écoulement d'air latéral)

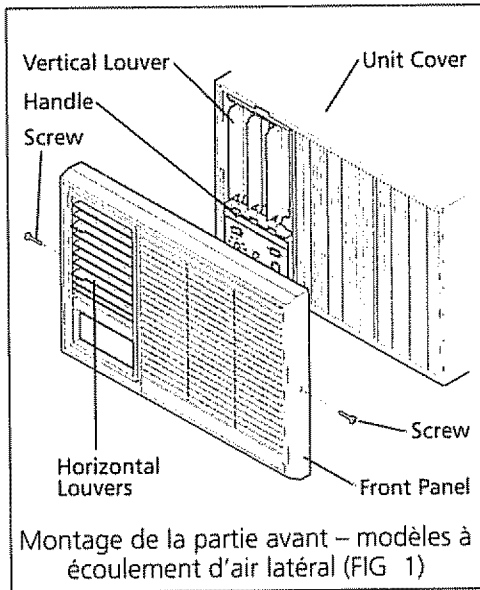
Compléter cet ajustement avant l'installation du panneau avant.

- 1 Ajuster les volets verticaux en position droite en utilisant la poignée.
- 2 Le panneau indicateur et les boutons sont enveloppés séparément. Pour les installer, vous référer à la section **Installation du panneau indicateur et du cadre avant** à la page suivante.

Montage de la partie avant – Certains modèles à écoulement d'air latéral (FIG. 1)

Monter le panneau avant de la façon suivante :

- 1 Ajuster les volets horizontaux en position droite. Tenir la partie avant en position droite jusqu'à ce que la poignée des volets verticaux s'aligne entre les volets horizontaux et l'ouverture d'écoulement.
- 2 Insérer la partie avant sur l'unité (boîtier métallique) jusqu'à ce que les trous sur le rebord de plastique s'alignent avec les trous du boîtier métallique. Visser le panneau avant en place à l'aide des deux (2) vis fournies.



Montage de la partie avant – Certains modèles à écoulement d'air latéral (FIG. 2)

- 1 Positionner le dessus du panneau décoratif avant sur le rebord du boîtier métallique et aligner les languettes sur le devant avec les rainures du boîtier métallique.
- 2 Rabattre le panneau avant avec précaution afin d'engager les languettes du dessus tout en poussant celui-ci sur le boîtier métallique. Pour assurer un alignement correct, les languettes de côté s'engageront dans les rainures et émettront un "déclat" lorsque le panneau avant sera en place.

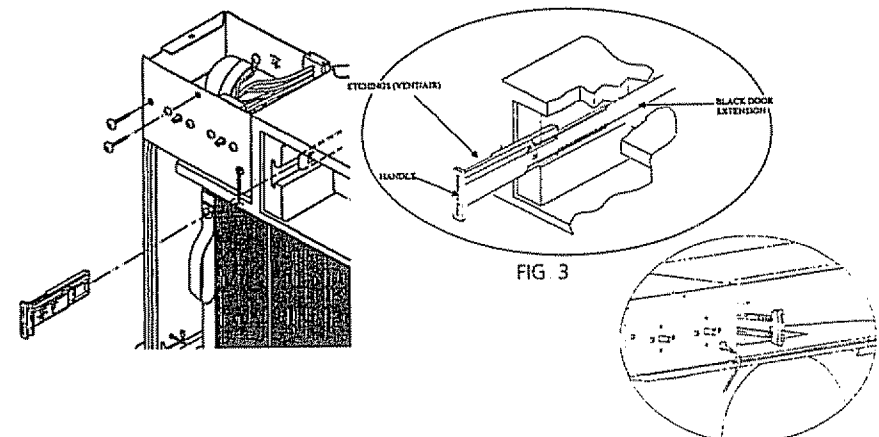
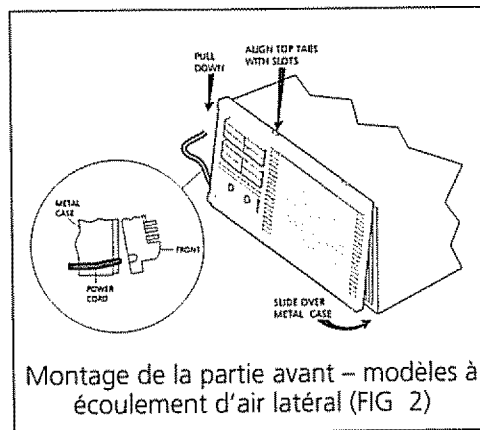
REMARQUE : Le cordon d'alimentation doit être immobilisé à l'intérieur de la cavité en forme de demi-lune sur le rebord du boîtier métallique lors de la mise en place du panneau avant.

- 3 Visser le panneau avant dans la partie inférieure de l'unité.

Montage du contrôle de l'évent (sur certains modèles)

La poignée de contrôle de l'évent fait partie de l'ensemble du panneau décoratif avant (FIG. 3). La poignée doit être installée avant que le panneau décoratif ne soit mis en place. Voir illustration ci-dessous.

- 1 Insérer la poignée en plaçant les gravures «Vent/Air» vers la gauche.
- 2 Insérer le prolongement de la porte noire dans la fente à l'extrémité de la poignée.
- 3 Pour faciliter l'assemblage, **pousser** sur la poignée tout en appuyant le prolongement de la porte contre la mousse jusqu'à ce que les deux pièces s'enclenchent l'une sur l'autre.
- 4 Bouger la poignée vers l'intérieur et vers l'extérieur afin de vérifier le bon fonctionnement de l'évent.

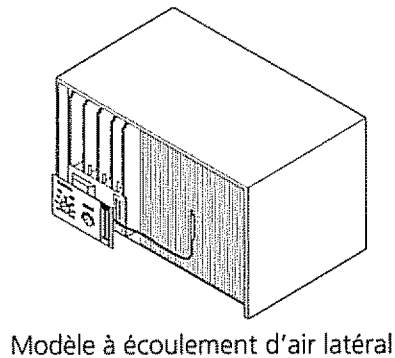
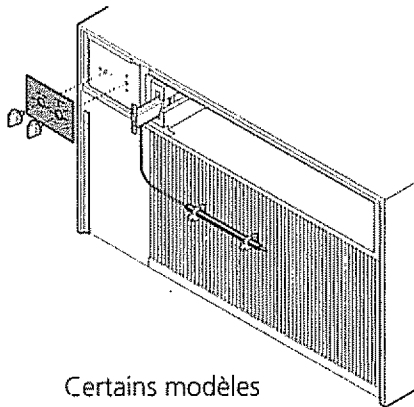


Montage de la partie avant (suite)

Mise en place du panneau indicateur et du cadre avant

Sur certains modèles on doit mettre en place le panneau indicateur et le cadre avant qu'on retrouve avec l'ensemble décoratif. Suivre les étapes suivantes pour le montage.

ÉTAPE 1 : MISE EN PLACE DU PANNEAU INDICATEUR ET DES BOUTONS :

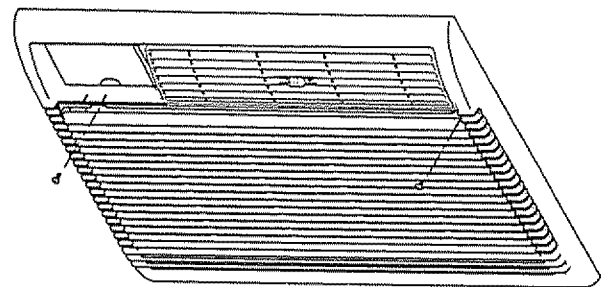
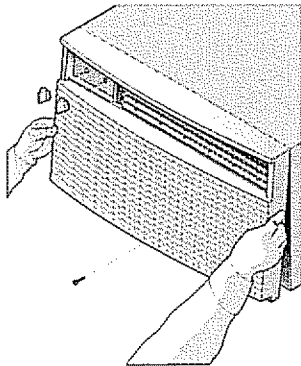


- Retirer les boutons de contrôle qu'on retrouve avec l'ensemble avant (certains modèles)
- Retirer délicatement le film protecteur sur la face avant du panneau indicateur (certains modèles)
- Aligner les trous du panneau indicateur avec les tiges pour les boutons correspondants et appuyer celui-ci contre la surface du panneau de contrôle
- Tout en maintenant le panneau indicateur en place, enfoncer les boutons de contrôle sur les tiges correspondantes

ÉTAPE 2 : MONTAGE DU CADRE AVANT.

Panneau décoratif avant

- Positionner le haut du panneau décoratif par-dessus le rebord supérieur du boîtier et aligner les languettes avec les rainures du boîtier
- Pendant l'installation de la devanture, s'assurer que la poignée de l'évent passe à travers la devanture à l'endroit approprié.
- Rabattre le panneau décoratif avec précaution pour engager les languettes tout en poussant le panneau avant contre le boîtier afin d'assurer un bon alignement.
- Les languettes émettront un "déclat" lorsque le panneau sera correctement en place
- Fixer à l'aide de la ou des vis de retenue au bas du panneau (Fig 1), ou derrière la poignée du filtre (Fig 2).



Utilisation du climatiseur

REMARQUE : si vous arrêtez le climatiseur, attendez trois minutes avant de le redémarrer. Ceci permet à la pression de s'uniformiser à l'intérieur du compresseur. Le fait de ne pas suivre ces instructions peut diminuer l'efficacité du fonctionnement

ATTENTION Afin de réduire les risques d'incendie, d'électrocution ou de blessures corporelles, lisez les **Recommandations pour une utilisation sécuritaire** avant d'utiliser de cet appareil

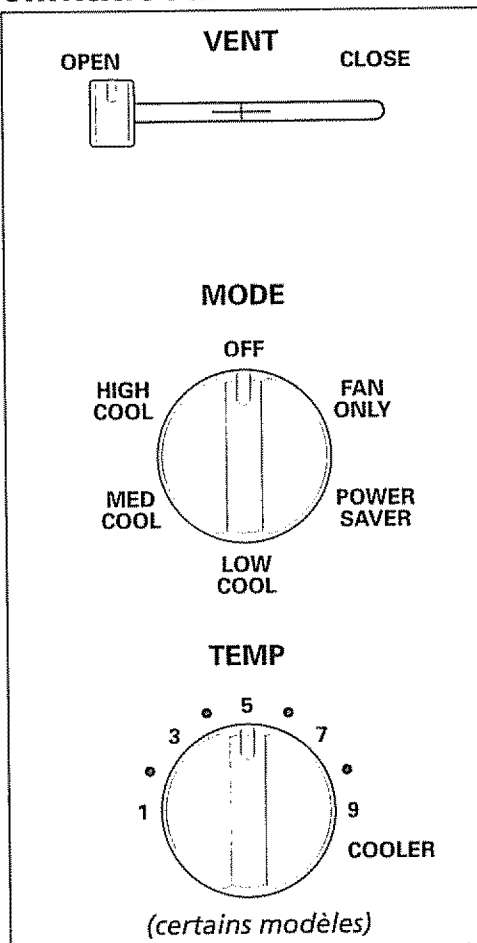
Pour utiliser le climatiseur, effectuez les étapes suivantes :

- 1 Branchez le climatiseur (afin de prévenir les risques d'électrocution, n'utilisez pas de rallonge ou d'adaptateur)
- 2 Ajustez l'évent de sortie à la position "CLOSED" (Fermé)
- 3 Ajustez la commande TEMP à la position de refroidissement maximal.
- 4 Ajustez la commande du ventilateur à la puissance maximale.
- 5 Ajustez les volets afin d'obtenir un écoulement d'air confortable
- 6 Lorsque la pièce se sera refroidie, sélectionnez le POWER SAVER MODE (Mode économiseur d'énergie) ou ajustez la commande TEMP à la température qui vous semble la plus confortable.

Pour les ajustements, voyez la section "Caractéristiques du climatiseur"

Caractéristiques du climatiseur

Les caractéristiques des commandes présentées dans ce manuel sont représentatives des différents modèles offerts. Votre modèle peut différer quelque peu



Commande TEMP (Température)

La commande TEMP sert de thermostat pour établir le niveau de froid dans la pièce. Pour augmenter le refroidissement (diminuer la température), tourner le bouton de 1 jusqu'à 9 dans le sens des aiguilles d'une montre.

MODES DE REFOIDISSEMENT

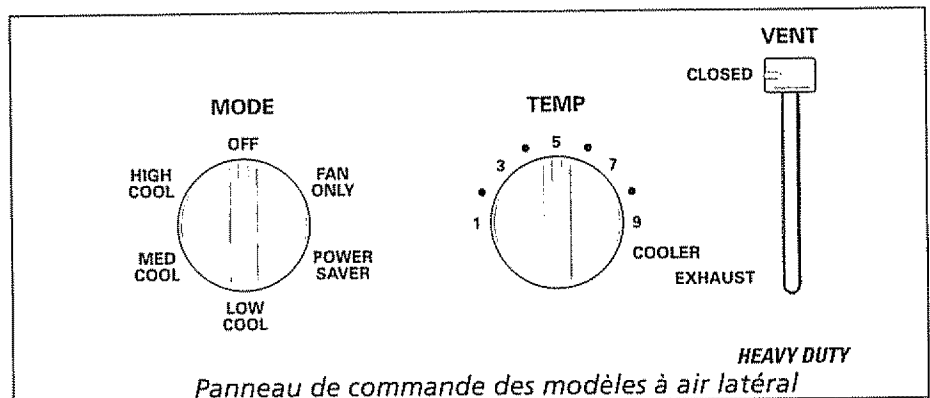
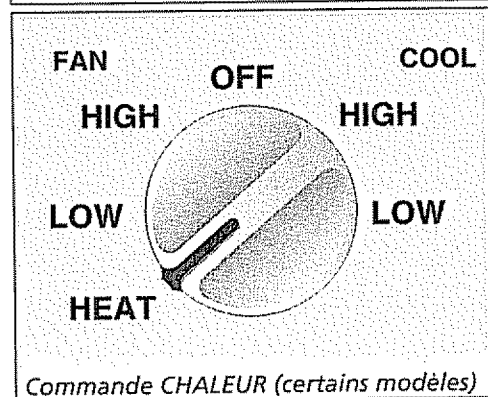
Lorsqu'on est dans un des réglages COOL (Climatisation), le climatiseur fonctionne en permanence pour faire circuler l'air. Le refroidissement n'intervient que si la température de la pièce grimpe au-dessus du niveau de froid sélectionné avec la commande TEMP, et s'arrête une fois que le niveau de froid demandé a été atteint. Ce réglage procure la meilleure répartition de la température dans la pièce.

MODE ÉCONOMISEUR D'ÉNERGIE (certains modèles)

Le POWER SAVER MODE (Mode économiseur d'énergie) peut vous faire économiser de l'énergie. Avec ce réglage, le ventilateur ne va se mettre en route que si la commande TEMP est réglée à une température plus froide que celle de la pièce. Quand la commande TEMP est réglée à une température plus froide que celle de la pièce, le climatiseur commence à faire circuler l'air dans la pièce. Le refroidissement va commencer trois minutes plus tard. Le climatiseur s'arrête automatiquement lorsque la pièce atteint le niveau de froid désiré. HIGH COOL (Climatisation élevée) procure un refroidissement rapide, MED COOL (Climatisation moyenne) procure un refroidissement normal et LOW COOL (Climatisation faible) procure un refroidissement discret.

CHAUFFAGE (certains modèles)

La sélection de HEAT (Chauffage) procure une circulation silencieuse et efficace d'air chaud. Sélectionnez le mode HEAT (Chauffage) et ajustez le thermostat au plus chaud. Lorsque le mode HEAT (Chauffage) est sélectionné, le thermostat maintient la température ambiante en démarrant et en arrêtant automatiquement l'unité chauffante en fonction de la température de la pièce. Une fois que la pièce est chaude, ajustez le thermostat à une valeur plus fraîche. Le ventilateur tourne toujours afin de recirculer l'air de la pièce.



Caractéristiques du climatiseur (suite)

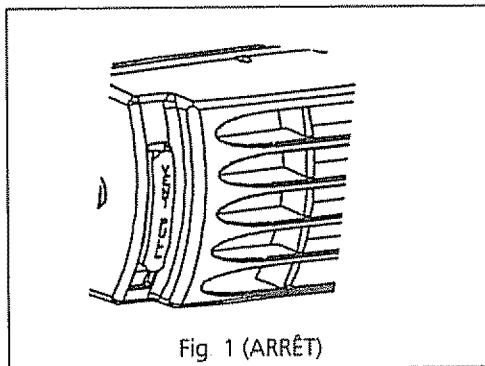


Fig 1 (ARRÊT)

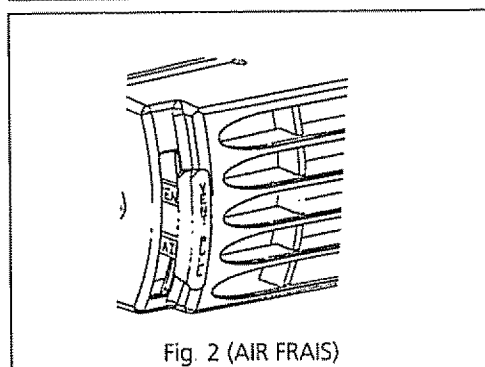


Fig 2 (AIR FRAIS)

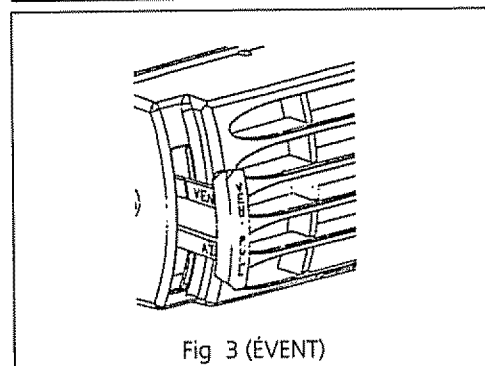


Fig 3 (ÉVENT)

Une légère odeur de chaud peut se manifester lorsque le mode HEAT (Chauffage) est sélectionné pour la première fois après une saison de climatisation. Cette odeur, qui se dissipe rapidement, est généralement causée par des particules de poussières logées dans l'unité de chauffage.

Commande de l'évent

La commande de l'évent permet au climatiseur soit de recirculer l'air de la pièce (position CLOSED (Fermé)) soit de chasser l'air vers l'extérieur (position OPEN (Ouvré))

- La position CLOSED (Fermé) est utilisée lorsqu'on désire une climatisation maximale. On peut également l'utiliser pour recirculer l'air sans le refroidir lorsque le climatiseur est en mode FAN (Ventilateur).
- La position OPEN (Ouvré) chasse l'air vicié de la pièce vers l'extérieur. De l'air frais est attiré dans la pièce par l'entremise des entrées d'air dont dispose l'habitation.
- Les positions OPEN (Ouvré) et CLOSED (Fermé) peuvent être utilisées avec n'importe quel mode de ventilation.
- Sur les modèles compacts, poussez la glissière vers l'intérieur pour être en position fermée et tirez-la vers l'extérieur pour être en position ouverte.

Commande de l'évent d'air frais

L'évent d'air frais permet au climatiseur de recirculer l'air à l'intérieur (position OFF (Arrêt)), d'attirer de l'air frais dans la pièce (position FRESH AIR (Air frais)) ou de chasser l'air vicié à l'extérieur (position VENT (Évent)). Voir les figures 1, 2 & 3 pour plus de détails.

Volets directionnels d'air

Les volets ajustables contrôlent la direction de l'écoulement de l'air. Ajustez les volets vers le haut, le bas, la gauche ou la droite. Les onglets externes règlent l'air vers le haut ou le bas. Les leviers centraux dirigent l'air vers la gauche ou la droite.

Entretien et nettoyage

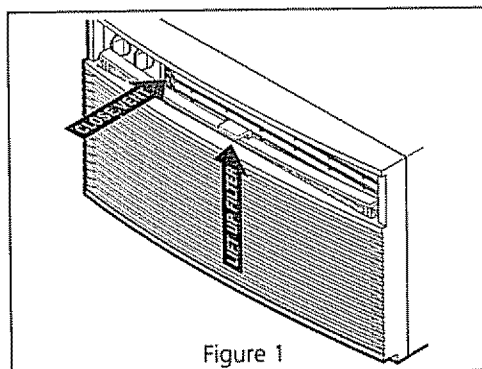


Figure 1

Nettoyez votre climatiseur de temps en temps pour qu'il garde l'aspect du neuf. **Prenez bien soin de débrancher l'appareil avant de le nettoyer pour prévenir tout risque d'électrocution ou d'incendie.**

Nettoyage du filtre à air

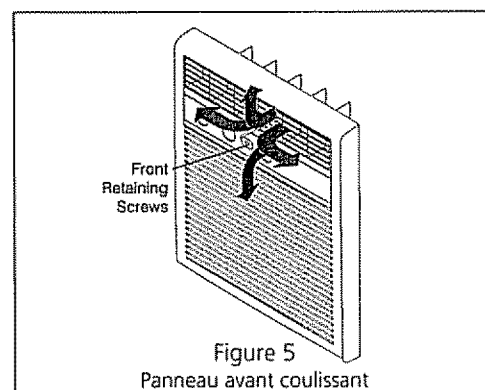
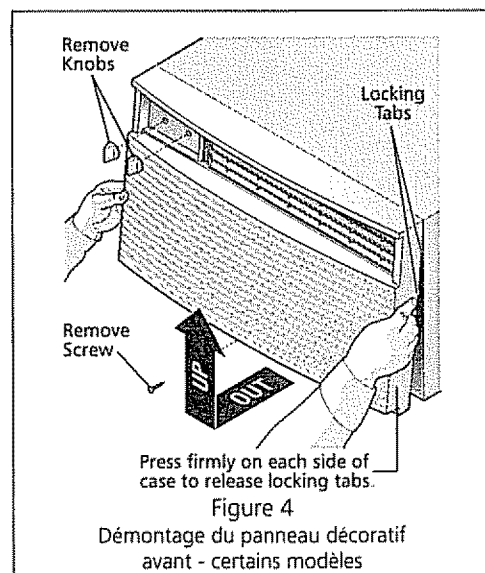
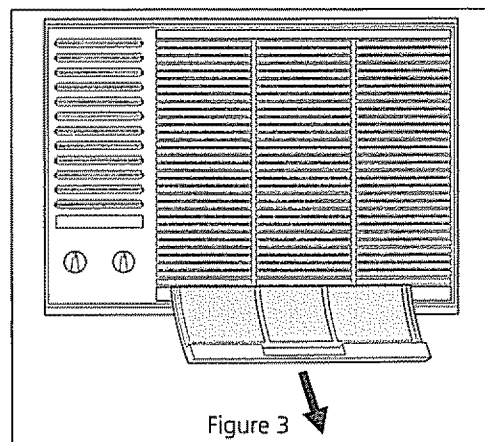
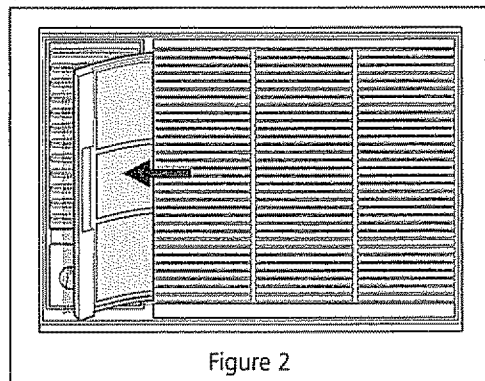
Le filtre à air doit être inspecté au moins une fois par mois pour voir s'il a besoin d'être nettoyé. Les particules retenues par le filtre peuvent devenir abondantes et provoquer une accumulation de givre sur les serpentins de refroidissement. Lorsque cela se produit, la capacité de refroidissement se trouve diminuée. Il y a deux types de filtres : le filtre rigide et le filtre souple.

Les modèles équipés d'un filtre rigide vous permettent d'enlever le filtre sans avoir à ôter la partie avant :

- Sur certains modèles, poussez la manette de commande de l'évent à la position OFF (Arrêt). Pour sortir le filtre, tirez droit vers le haut (figure 1)

Entretien et nettoyage

(suite)



- Les modèles avec volets à 6 directions possèdent un filtre qui se glisse vers l'extérieur. Saisissez la poignée moulée dans le filtre et tirez-la vers la gauche pour le sortir du panneau avant (figure 2)
- Pour la plupart des installations dans une fenêtre, le panneau avant devra être retiré pour accéder au filtre pour le nettoyage (figure 3). Pour enlever le panneau avant, exécutez la procédure inverse de montage, décrite dans la section "**Montage de la partie avant**" pour les climatiseurs à écoulement latéral.
- Sur certains modèles, les volets doivent être en position soulevée pour que le filtre puisse être retiré. Placer le pouce sous la poignée centrale et serrer le haut de la barre-filtre avec l'index tout en soulevant et en tirant le filtre comme montré à la Figure 6.

Nettoyez le filtre en utilisant un détergent à vaisselle liquide et un peu d'eau chaude. Rincez le filtre à fond. Secouez doucement le surplus d'eau du filtre. Laissez sécher le filtre complètement avant de le remettre en place.

Nettoyage de la carrosserie

- Assurez-vous de débrancher le climatiseur pour prévenir les risques d'électrocution ou d'incendie. La carrosserie et le panneau avant peuvent être époussetés avec un linge exempt de toute trace d'huile ou nettoyés à l'aide d'un chiffon humide trempé dans une solution d'eau chaude et de détergent à vaisselle doux. Rincez à fond et asséchez.
- N'utilisez jamais de détergents forts, de cire ou tout autre produit de polissage sur le panneau avant.
- Assurez-vous de bien étreindre le chiffon pour en retirer l'excès d'eau avant de nettoyer près des boutons de commande. Un excès d'eau à l'intérieur ou autour des commandes peut endommager le climatiseur.
- Le panneau avant du climatiseur peut être retiré pour un nettoyage complet. Reportez-vous à la section "**Montage de la partie avant**" de ce manuel et aux figures 4 et 5.
- Nettoyez le panneau avant à l'eau tiède et au détergent à vaisselle dans un évier. Rincez à fond et asséchez. Prenez garde de ne pas déplacer les joints d'étanchéité sur le panneau avant.
- Réinstallez le panneau avant de la carrosserie. Remettez les vis ou les boulons.
- Réinstallez le panneau avant et le filtre. Branchez le climatiseur.

Démontage du panneau décoratif avant et du panneau indicateur

1. Débranchez le climatiseur de la prise murale.
2. Retirez les boutons en tirant fermement et ensuite retirez le panneau indicateur. Retirez par l'avant la vis de retenue du panneau avant (voyez la figure 4 ou 5 pour l'emplacement des vis, prenez le modèle qui ressemble le plus au vôtre). Sur certains modèles, enlevez le filtre pour exposer les deux (2) vis de retenue avant.
3. Appuyez fermement de chaque côté du boîtier métallique près du panneau avant, environ à mi-hauteur pour le modèle de la figure 4 et environ aux 2/3 de la hauteur en partant du haut pour le modèle de la figure 5.
4. Tout en pressant sur les côtés du boîtier métallique, tirez légèrement vers l'extérieur sur le panneau avant et ensuite relevez-le pour le dégager du boîtier.

Pour réinstaller :

Il est essentiel que la réinstallation du panneau décoratif avant soit faite de façon adéquate pour garantir la sécurité ainsi que le bon fonctionnement.

2. Placez la partie supérieure du panneau décoratif sur le rebord supérieur du boîtier et alignez les languettes du panneau avec les fentes dans le boîtier.
3. Tirez délicatement le panneau avant vers le bas afin d'engager les languettes supérieures tout en le poussant contre le boîtier pour bien respecter l'alignement. Les languettes latérales émettront un "déclat" lorsque le panneau avant aura retrouvé sa place.
4. Remettez les vis de retenue (voyez la figure 4 ou 5 pour l'emplacement des vis, prenez le modèle qui ressemble le plus au vôtre).
5. Réinstallez les boutons en les alignant sur les tiges correspondantes et en pressant fermement.

Maintenance de routine

Remisage d'hiver

Si le climatiseur doit être remisé pour la période hivernale, retirez-le avec précaution de la fenêtre en suivant les instructions d'installation. Recouvrez-le d'une feuille de plastique ou remettez-le dans la boîte de carton d'origine. **REMARQUE : pour prévenir la formation de rouille ou des dommages aux connexions électriques, remisez le climatiseur dans un endroit sec et en position verticale.** Vous pouvez vous procurer un couvercle protecteur pour l'hiver chez votre distributeur. Ce couvercle protégera le climatiseur si vous le laissez en place pendant l'hiver.



ATTENTION Avant d'entreprendre toute intervention, débranchez le cordon d'alimentation à la prise de courant murale.

Après l'intervention, suivez les procédures dans l'ordre inverse pour réinstaller le climatiseur.

Nettoyage du panneau avant de la carrosserie

Enlevez le panneau avant. Lavez-le à l'eau chaude légèrement savonneuse. Rincez et séchez à l'aide d'un chiffon doux. N'utilisez jamais de solvant, de liquide nettoyant, de pâte abrasive ou de détergent fort. Si la finition est recouverte d'une pellicule gommeuse, enlevez-la à l'aide d'un chiffon trempé dans de l'alcool à friction.

Réparation des éclats de peinture

Inspectez les parties exposées aux intempéries (enveloppe de la carrosserie, pièces de fixation, le cas échéant, etc.) une ou deux fois par an, spécialement dans les régions proches de la mer ou lorsque la rouille est un souci. Au besoin, faites des retouches en utilisant de la peinture extérieure de bonne qualité.

Nettoyage à l'intérieur du climatiseur



CAUTION Aucun liquide ne doit pénétrer à l'intérieur du moteur, du boîtier de commande électrique ou sur les bornes électriques du compresseur.

- 1 Enlevez le panneau avant.
- 2 En vous faisant aider et en employant des méthodes de levage appropriées pour éviter de vous blesser, enlevez le châssis de la coquille de la carrosserie. *Lorsqu'on enlève le climatiseur de la coquille de la carrosserie ou de la fenêtre, la base peut contenir de l'eau qui pourrait se répandre par terre. Prenez bien soin de ne pas vous blesser avec les ailettes de métal coupantes sur les serpentins avant et arrière.
- 3 Aucun liquide ne doit entrer en contact avec les pièces électriques. Enveloppez le moteur du ventilateur, le boîtier de commande électrique et les bornes électriques avec du plastique. Ceci permettra d'éviter que de l'eau ou tout autre liquide puissent y pénétrer, endommager l'isolant et provoquer des dommages graves.
- 4 Nettoyez la base, les serpentins et les plateaux d'évaporation à l'aide d'un tuyau d'arrosage. Nettoyez au moins une fois par an ou plus souvent si les serpentins et les plateaux accumulent de la saleté, du sable, des feuilles, des algues ou des insectes.
- 5 Après avoir nettoyé, enlevez les protections en plastique. Attendez 24 heures avant de redémarrer l'appareil. Ceci donnera le temps à toutes les pièces de bien sécher.

REMARQUE : l'eau provenant de la pluie ou des projections occasionnelles normales n'endommage pas ces composants car elle n'est pas projetée aussi violemment dans ces pièces comme c'est le cas avec un tuyau d'arrosage.

***REMARQUE POUR LA POIGNÉE :** si votre climatiseur est muni d'une poignée pour le châssis, elle n'est PAS conçue pour supporter le poids de l'appareil. Elle n'a pour but que de permettre le déplacement du châssis À L'INTÉRIEUR de la coquille de la carrosserie seulement (pour faciliter le nettoyage, la maintenance, etc.)



Guide de recherche de pannes du climatiseur monobloc

LE CLIMATISEUR NE FONCTIONNE PAS

Vérifier si...	Alors...
Le cordon d'alimentation est débranché.	Enfoncez la fiche fermement dans une prise murale où il y a du courant à la bonne tension.
Un fusible est grillé ou un disjoncteur a sauté dans l'habitation	Remplacez le fusible ou réarmez le disjoncteur. Assurez-vous que l'appareil est branché dans une prise reliée à la terre de façon adéquate comme indiqué dans le manuel du propriétaire fourni avec l'appareil.
La commande du ventilateur est en position OFF (Arrêt).	Mettez la commande du ventilateur au réglage désiré.

L'APPAREIL FAIT SAUTER LES FUSIBLES OU FAIT DÉCLENCHER LE DISJONCTEUR

Vérifier si...	Alors...
Un trop grand nombre d'appareils sont branchés sur le même circuit.	Débranchez et trouvez un autre endroit pour les appareils qui se partageaient le même circuit.
Une rallonge est utilisée avec l'appareil	N'utilisez pas de rallonge pour faire fonctionner le climatiseur.
L'appareil a été redémarré immédiatement après avoir arrêté le circuit de refroidissement.	Attendez trois minutes après avoir arrêté le circuit de refroidissement avant de tenter de redémarrer l'appareil.

LE CLIMATISEUR S'ARRÊTE ET REDÉMARRE, OU IL NE REFROIDIT PAS LA PIÈCE

Vérifier si...	Alors...
Le filtre est sale ou obstrué par des débris	Nettoyez le filtre à l'aide d'un aspirateur ou lavez le filtre avec de l'eau chaude et un détergent doux. Asséchez méticuleusement avant de réutiliser l'appareil.
Les serpentins sont sales ou obstrués par des débris. Vérifier tout autant à l'intérieur de l'évaporateur qu'à l'extérieur des serpentins du condenseur	Contactez le magasin Sears le plus proche pour qu'il vienne inspecter et nettoyer les serpentins et les passages pour l'eau de condensation, OU si vous êtes familiarisé avec les appareils électriques, effectuez le nettoyage requis en suivant soigneusement les instructions de maintenance fournies avec l'appareil.
Il y a un excès d'humidité ou de chaleur dans la pièce à refroidir (cuisson, douches d'eau chaude, etc.)	Mettez en marche les ventilateurs d'évacuation lorsque vous cuisinez ou que vous prenez une douche, et essayez de ne pas utiliser les appareils générateurs de chaleur au moment de la journée où il fait le plus chaud.
La commande du ventilateur est sur un réglage Power Saver/ Energy Saver (Économiseur de courant et d'énergie)	Utilisez les réglages NORMAUX pour obtenir le meilleur confort. Lorsque des réglages d'économie d'énergie ont été sélectionnés, le ventilateur ne recircule pas en permanence l'air de la pièce.
La commande de l'évent est mise sur OPEN (Ouvert) ou EXHAUST (Évacuation)	Réglez la commande de l'évent à CLOSED (Fermé) pour obtenir le refroidissement maximal.
La commande de température est réglée à une valeur insuffisamment froide.	Réglez la commande de température à une valeur plus froide.

DE L'EAU COULE DE LA CARROSSERIE À L'INTÉRIEUR DE L'HABITATION

Vérifier si...	Alors...
L'inclinaison de l'appareil n'est pas adéquate. L'appareil devrait être légèrement incliné en pente vers l'extérieur.	Faites en sorte que le climatiseur soit plus bas de 6 mm (1/4 po.) du côté extérieur (1/2 bulle de niveau de charpentier) pour que l'eau s'évacue correctement. Repositionnez la carrosserie ou placez des cales aux endroits appropriés. NE PERCEZ PAS de trou dans le plateau de récupération.

IL SEMBLE QUE LE CLIMATISEUR FONCTIONNE BEAUCOUP TROP

Vérifier si...	Alors...
L'appareil actuel remplace un ancien modèle	L'emploi de composants plus efficaces peut entraîner une utilisation plus longue qu'un ancien modèle, mais la consommation totale d'énergie sera inférieure. Les modèles plus récents ne produisent pas le brusque courant d'air froid auquel vous étiez habitué avec les anciens modèles, mais ceci N'EST PAS une indication que la capacité de refroidissement ou que l'efficacité est moindre. Reportez-vous aux valeurs nominales de l'efficacité (EER) et de la capacité (BTU) marquées sur l'appareil.
L'appareil est dans une pièce très occupée, ou des appareils générateurs de chaleur sont en service dans la pièce	Faites usage des ventilateurs d'évacuation vers l'extérieur lorsque vous cuisinez ou que vous prenez une douche. Essayez de ne pas utiliser d'appareils générateurs de chaleur durant les périodes les plus chaudes de la journée. Il se peut que vous ayez besoin d'un appareil de plus forte capacité en raison de la dimension de la pièce à refroidir.

BRUITS TYPIQUES DU CLIMATISEUR QU'IL SE PEUT QUE VOUS ENTENDIEZ :

Condenseur - Il se peut que vous entendiez des gouttelettes d'eau qui frappent le condenseur, provoquant un bruit de "tintement ou bruissement"

Vibration de l'appareil - Il se peut que l'appareil vibre et fasse du bruit à cause d'un défaut de fabrication du mur ou de la fenêtre.

Ventilateur - Il se peut que vous entendiez le mouvement de l'air provenant du ventilateur.

Compresseur - Il se peut que le compresseur à haut rendement émette un ronronnement de registre élevé ou des impulsions sonores qui apparaissent et disparaissent de façon cyclique.

Thermostat - Quand un cycle de refroidissement démarre ou s'arrête, il se peut que vous entendiez un déclic au niveau du thermostat.

Garantie

GARANTIE

Garantie complète d'un an sur le climatiseur

Pendant un an à compter de la date d'achat, lorsque ce climatiseur est utilisé et entretenu pour pouvoir effectuer le refroidissement normal d'une pièce selon les instructions contenues dans ce manuel du propriétaire, Sears le réparera sans frais s'il présente des défauts au niveau des matériaux ou de la fabrication.

Garantie complète de cinq ans sur le système de réfrigération scellé

Pendant cinq ans à compter de la date d'achat, lorsque ce climatiseur est utilisé et entretenu pour pouvoir effectuer le refroidissement normal d'une pièce selon les instructions contenues dans ce manuel du propriétaire, Sears réparera sans frais le système de réfrigération scellé (constitué du réfrigérant, de la tubulure de connexion et du compresseur) s'il présente des défauts au niveau des matériaux ou de la fabrication.

Service de la garantie

Le service de la garantie est offert en contactant le centre de service le plus proche au Canada.

Cette garantie vous donne des droits légaux spécifiques, et vous pouvez avoir d'autres droits qui varient d'une province à l'autre.

SEARS, ROEBUCK and CO. Dept. 817WA, Hoffman Estates, IL 60719

Service Sears

Contrat de maintenance

"Nous assurons le service sur ce que nous vendons" constitue votre assurance que vous pouvez compter sur Sears pour le service. Votre climatiseur bénéficie d'une valeur ajoutée quand vous considérez que Sears a des unités de service partout au pays, équipées de techniciens professionnels entraînés sur tous les appareils que Sears vend. Ils ont les connaissances, les aptitudes, les outils, les pièces et les équipements qui garantissent notre engagement envers vous que "nous assurons le service sur ce que nous vendons".

Contrat de maintenance Sears

Préservez la valeur de votre climatiseur avec un contrat de maintenance Sears. Les climatiseurs Sears sont conçus, fabriqués et testés pour vous fournir des années de fonctionnement fiable. Cependant, il se peut que tout appareil moderne requière des interventions de temps en temps. Le contrat de maintenance Sears vous offre un programme de service de premier plan pour votre climatiseur.

Le contrat de maintenance Sears

- Est un moyen pour vous d'acheter au prix d'aujourd'hui du service pour plus tard.
- Élimine les factures de réparation résultant d'une utilisation normale.
- Autorise autant d'appels de service qu'il en faudra.
- Offre une vérification annuelle de maintenance préventive sur demande de votre part, pour garder votre climatiseur en bon état de fonctionnement.

Pour plus de renseignements, appelez le 1-800-827-6655

Pour un service de réparation à domicile sur une marque connue:

Appelez 24 heures par jour, 7 jours par semaine, au
1-800-4-MY-HOME (1-800-469-4663)

Pour les pièces de réparation ou de rechange dont vous avez besoin :

Appelez de 7 heures du matin à 7 heures du soir, 7 jours par semaine, au :

1-800-366-PART (1-800-366-7278)

Pour savoir quel est le centre de pièces et de réparations le plus proche :

Appelez 24 heures par jour, 7 jours par semaine, au :

1-800-488-1222

Pour tout renseignement sur la façon d'acheter un contrat de maintenance Sears, ou pour toute question sur un contrat existant:

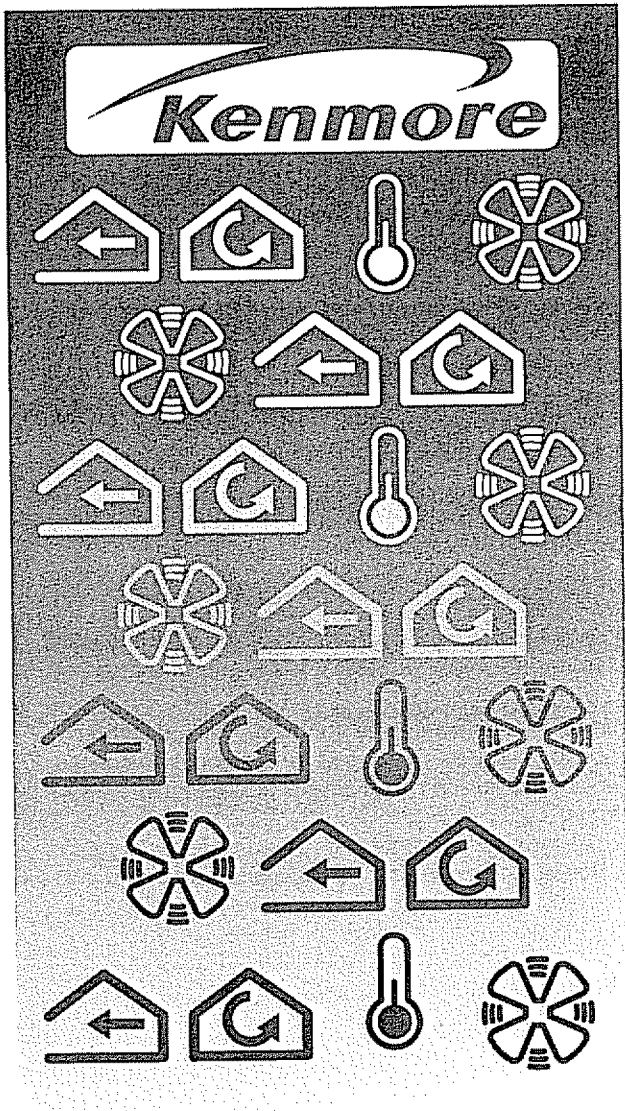
Appelez de 9 heures du matin à 5 heures du soir, du lundi au samedi, au :

1-800-827-6655



The Service Side of SearsSM

SEARS Guía del Propietario



Room Air Conditioner

Registre sus Números de Serie y de Modelo.....	Portada
Importantes Instrucciones de Seguridad	2
Ideas para Ahorro de Energía	2
Cómo y Porqué	3
Sonidos Normales	3
Instalación Frontal	4-5
Usando el Aire Acondicionado	6
Características del Aire Acondicionado	6-7
Cuidado y Limpieza	7-8
Mantenimiento Rutinario	9
Guía de Detección de Problemas.	10
Servicio Sears	11
Garantía.	11

Lea y Guarde Estas Instrucciones

Esta Guía del Propietario proporciona instrucciones de operación específicas para su modelo. Use el aire acondicionado de ventana sólo como se indica en esta Guía. Las instrucciones no tienen la intención de cubrir todas las posibles condiciones y situaciones que pudieran ocurrir. Siempre debe emplearse el sentido común y precaución al instalar, operar y mantener cualquier electrodoméstico.

Registre Sus Números de Modelo y de Serie

En el espacio abajo registre los números de modelo y serie. En muchos modelos, la placa serial se encuentra detrás de la rejilla delantera izquierda. La lectura de dichos números se facilita usando una lámpara de mano o quitando el frente del gabinete como se indica bajo "Cuidado y Limpieza". En algunos modelos, la placa serial se encuentra afuera del gabinete.

No. de Modelo: _____

No. de Serie: _____

Fecha de Compra: _____

Importantes Instrucciones de Seguridad

Lea todas las instrucciones antes de usar este aire acondicionado

⚠️ ADVERTENCIA Por Su Seguridad

No guarde gasolina u otros líquidos y vapores inflamables en la proximidad de éste u otro aparato. Lea las etiquetas de los productos para advertencias de flamabilidad y de otra índole.

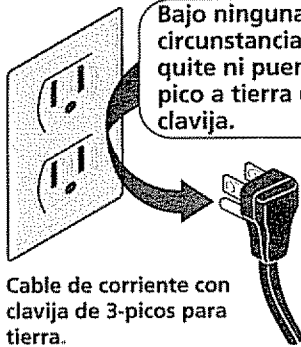
⚠️ ADVERTENCIA Prevenga Accidentes

Para reducir el riesgo de incendio, electrocución o lesiones a personas al usar su aire acondicionado, siga precauciones básicas, incluyendo las siguientes:

- Asegúrese que el servicio eléctrico sea adecuado para el modelo seleccionado. Esta información se encuentra en la placa serial, ubicada ya sea detrás de las rejillas o en lado izquierdo del gabinete.
- Si el aire acondicionado se instalará en una ventana, quizás primero quiera limpiar ambos lados del vidrio. Si la ventana es del tipo triple hoja con panel de pantalla integrado, quite la pantalla completamente antes de instalar.
- Asegure que el aire acondicionado haya sido instalado segura y correctamente de acuerdo con las instrucciones de instalación provistas por separado con este manual. Guarde el manual y las instrucciones de instalación para su futuro uso en quitar o reinstalar esta unidad.
- Al manejar el aire acondicionado, tenga cuidado de evitar cortarse con las afiladas aletas metálicas en los serpentines delanteros y posteriores.

⚠️ ADVERTENCIA Evite el peligro de incendio o electrocución. No use extensiones ni clavija adaptador. No quite ninguna de los picos de la clavija.

Contacto de pared con tierra



Cable de corriente con clavija de 3-picos para tierra.

⚠️ ADVERTENCIA Información Eléctrica

La capacidad eléctrica nominal de su nuevo aire acondicionado de ventana viene indicada en la placa serial. Consulte dicho valor al revisar los requerimientos eléctricos.

- Asegure que el aire acondicionado esté correctamente aterrizado. Para minimizar potenciales peligros de electrocución e incendio, es fundamental tener una buena tierra. El cable de corriente viene equipado con clavija de tres-picos con tierra para proteger contra peligros eléctricos.
- Su aire acondicionado **debe** conectarse en un contacto de pared correctamente aterrizado. Si el contacto de pared que piensa utilizar no está correctamente aterrizado o protegido con un fusible sincronizador o interruptor de circuito, encargue a un electricista calificado que instale el contacto de pared apropiado.
- No opere el aire acondicionado con el protector exterior instalado. Esto podría resultar en daños mecánicos dentro del aire acondicionado.
- **No use extensión ni adaptador de tres picos.**

Ideas Para Ahorro de Energía



- No obstruya el flujo de aire interior con persianas, cortinas o muebles; ni del exterior con arbustos, cabinas u otras construcciones.
- La capacidad de este aire acondicionado debe ser comparable al tamaño de la habitación para una operación eficiente y satisfactoria.
- Instale el aire acondicionado de ventana en el lado sombreado de su casa. Es mejor una ventana con vista al norte porque tiene sombra casi todo el día.
- Cierre puertas de hoguera, registros de pared y piso de manera que el aire fresco no escape por la chimenea y hacia los ductos.
- Tenga persianas y cortinas de otras habitaciones cerradas durante la parte más soleada del día.
- Limpie el filtro de aire conforme se indica en la sección "Cuidado y Limpieza".
- Un adecuado aislamiento y protección térmica en su casa ayudará a que el aire fresco se mantenga adentro y el aire caliente afuera.
- El sombrear la casa con árboles, plantas o sombrillas ayudará a reducir la carga de trabajo del aire acondicionado.
- Procure usar los aparatos productores de calor como la estufa, lavadora, secadora y lavavajillas durante la parte más fresca del día.

Cómo y Porqué

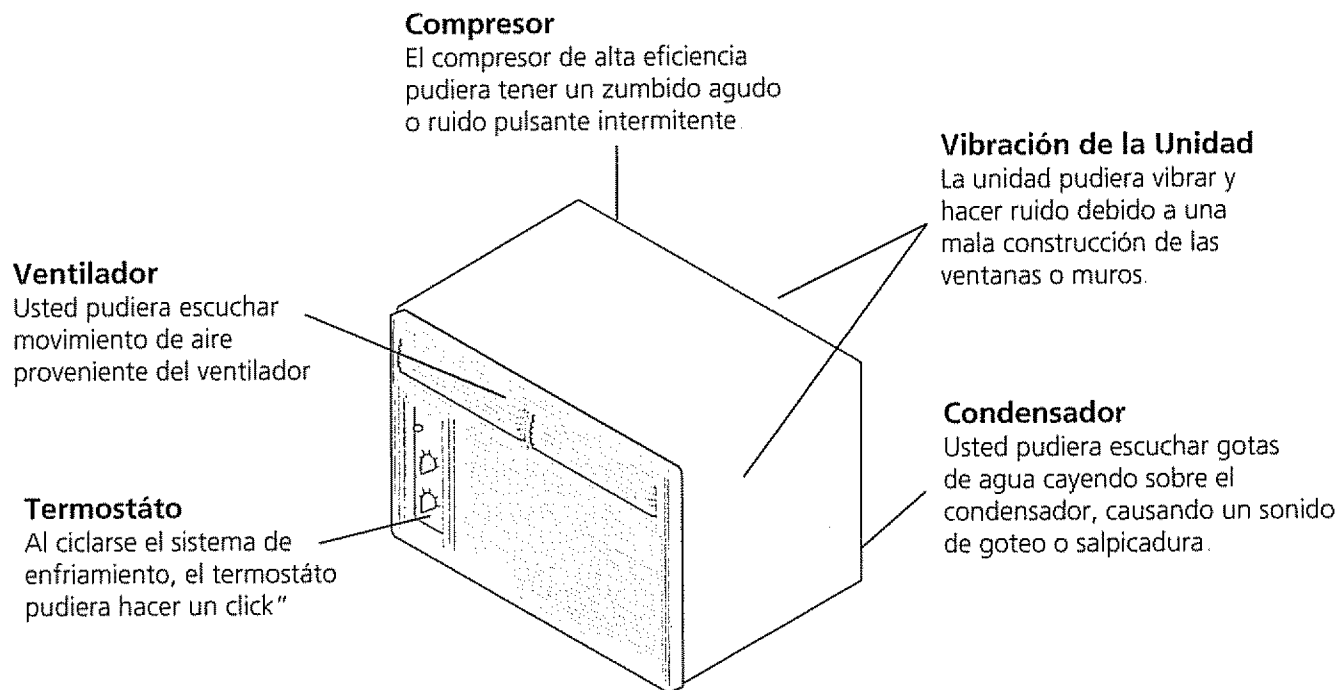
Su aire acondicionado de ventana proporciona las siguientes funciones para hacer más cómoda la vida en climas calientes:

- Enfría y hacer circular el aire de la habitación
- Reduce la humedad eliminando la humedad excesiva del ambiente
- Filtra polvo, tierra y algunas impurezas del aire

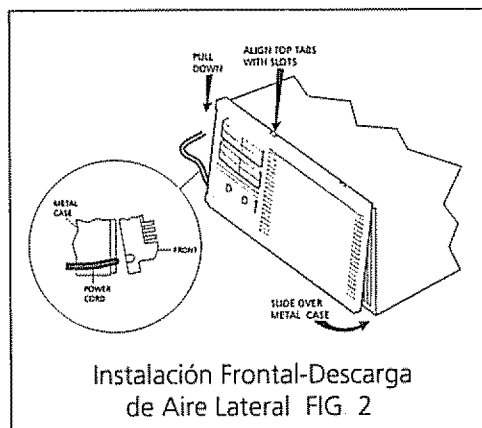
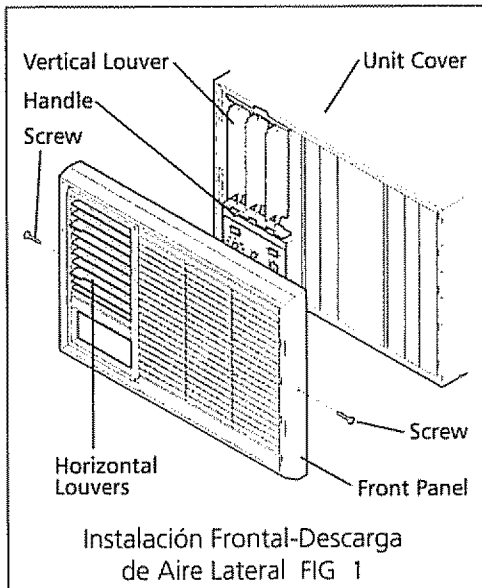
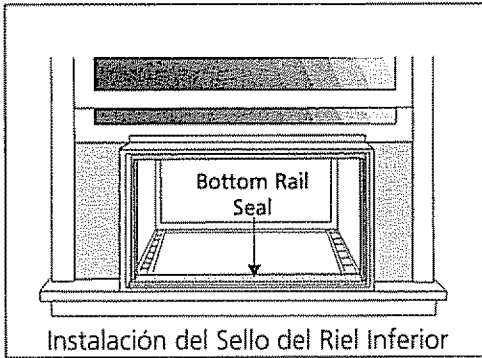
El aire acondicionado hace estas funciones jalando el aire de la habitación a través de un filtro que atrapa partículas de polvo y tierra. El aire luego pasa por un serpentín enfriador que refrigera el aire y elimina la humedad excesiva. El mismo aire es regresado a la habitación – más frío, seco y limpio. La humedad eliminada del aire de la habitación es llevada al exterior donde se evapora.

Su aire acondicionado está diseñado para ser fácil de operar y proporcionar abundante poder de enfriamiento.

Sonidos Normales



Instalación Frontal



Instalando el Sello del Riel Inferior (algunos modelos)

Algunos modelos se embarcan en una manga removible que debe colocarse correctamente para un sello seguro y eficiente. Siga las instrucciones suministradas. Para instalar el Sello del Riel Inferior, coloque el sello sobre el riel inferior, al ras del borde delantero del riel y en contacto con los sellos laterales

Ajuste Manual de las Rejillas Verticales (descarga lateral de aire)

Termine este ajuste antes de instalar el panel delantero.

1. Ajuste las rejillas verticales a la posición recta usando la manija.
2. La carátula y perillas son empacadas por separado. Para instalarlas, consulte la sección de **Instalando la Carátula y Marco Delantero** en la siguiente página

Instalación Frontal – Algunos Modelos de Descarga Lateral de Aire (FIG. 1)

Instale el panel delantero con filtro como sigue:

1. Ajuste las rejillas horizontales a la posición recta. Sujete el frente en posición recta hasta que las líneas de la manija de la rejilla vertical se alineen entre la rejilla horizontal inferior y la abertura de descarga.
2. Presione el frente directo sobre el gabinete hasta que los orificios en la brida del frente de plástico se alineen con los orificios de tornillos en el gabinete metálico. Sujete el panel delantero en su sitio con los dos tornillos provistos

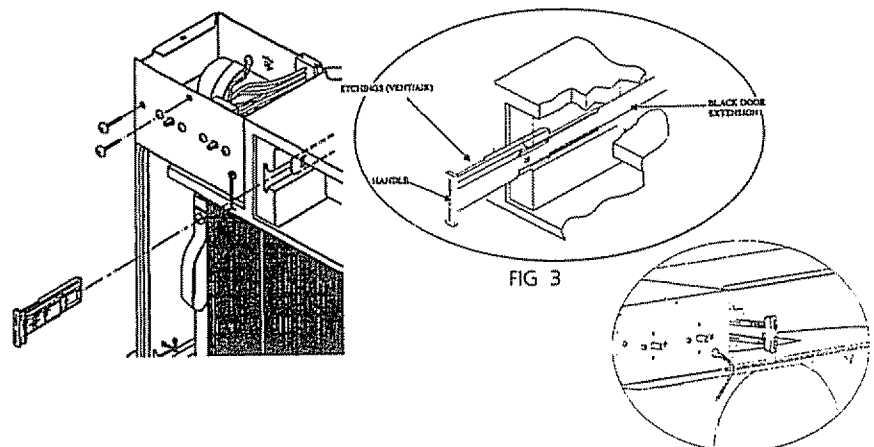
Instalación Frontal – Algunos Modelos de Descarga Lateral de Aire (FIG. 2)

1. Coloque la tapa de la cubierta frontal decorativa sobre la brida superior de la caja metálica y entonces alinee las pestañas en el frente con las ranuras en la caja metálica.
 2. Con cuidado jale la cubierta frontal para acomodar las pestañas superiores a la vez que empuja la cubierta frontal sobre la caja metálica. Para asegurar un correcto alineamiento las pestañas candado laterales emitirán un "click" cuando la cubierta frontal esté correctamente instalada.
- Nota:** El cable de corriente debe quedar sujeto en su posición dentro del semicírculo de la caja metálica mientras desliza la cubierta frontal sobre la caja metálica
3. Instale el tornillo de retención de la cubierta frontal en la parte inferior de la unidad

Instalando el Control de Ventila (en algunos modelos)

La manija del control de ventila se incluye en el kit frontal decorativo (Fig. 3) La manija debe instalarse antes de instalar el frente decorativo. Vea la ilustración abajo

1. Inserte la manija con el grabado mirando hacia la derecha.
2. Deslice la extensión de la puerta negra en la partición al final de la manija.
3. PRESIONE la manija hacia adentro hasta que las dos piezas se bloqueen juntas.
4. Mueva la manija adentro y afuera para estar seguro que la ventila opera adecuadamente

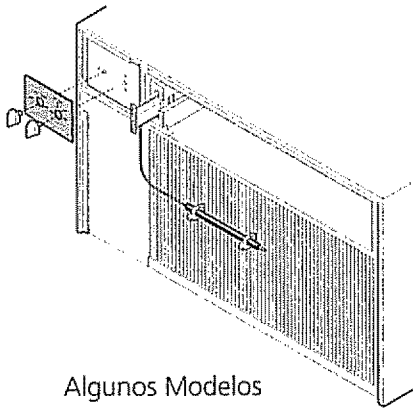


Instalación Frontal (continuado)

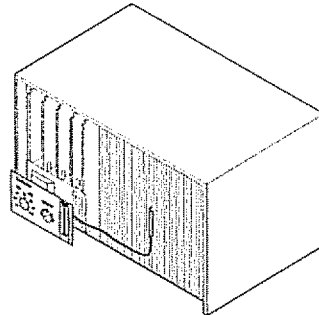
Instalando la Carátula y Marco Delantero

Algunos modelos requieren instalación de la carátula y panel delantero del aire acondicionado incluidos en el kit decorativo. Para armarlo, siga estos pasos:

PASO 1: INSTALE CARATULA Y BOTONES O PERILLAS:



Algunos Modelos



Descarga de Aire Lateral

- Quite las perillas de control del kit frontal (algunos modelos)
- Con cuidado, quite la película protectora del frente de la carátula (algunos modelos)
- Alinee los orificios en la carátula con los vástagos de control correctos y empuje la carátula a la superficie del panel de control
- Mientras sostiene en su sitio la carátula, instale las perillas de control en los vástagos

PASO 2: INSTALE EL MARCO DELANTERO A LA UNIDAD.

Frente Decorativo

- Coloque la tapa del frente decorativo sobre la brida superior de la caja, y alinee las pestañas con las ranuras en la caja.
- Al instalar el marco frontal en la unidad, asegúrese de que la manija de la rejilla atraviese hacia el frente en la ubicación apropiada
- Con cuidado jale al frente para embonar con las pestañas superiores, mientras empuja el frente sobre la caja para asegurar un correcto alineamiento
- Las pestañas laterales hacen "click" cuando el frente se asienta
- Instale los tornillos de retención en el fondo del frente (Fig 1), o detrás del asa del filtro (Fig 2)

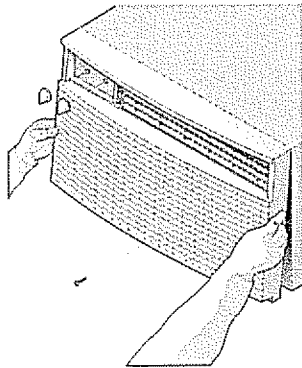


FIG 1

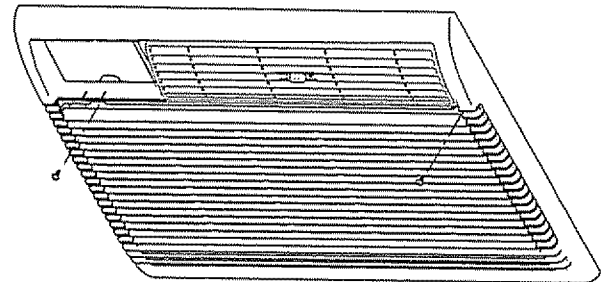


FIG 2

Usando el Aire Acondicionado

NOTA: Si el aire acondicionado está apagado, espere 3 minutos antes de reiniciar. Esto permite igualar la presión dentro del compresor. El no seguir estas instrucciones puede causar una operación ineficiente.

¡ADVERTENCIA

Para reducir el riesgo de incendio, electrocución o lesión a las personas, lea las IMPORTANTES INSTRUCCIONES DE SEGURIDAD antes de operar este aparato

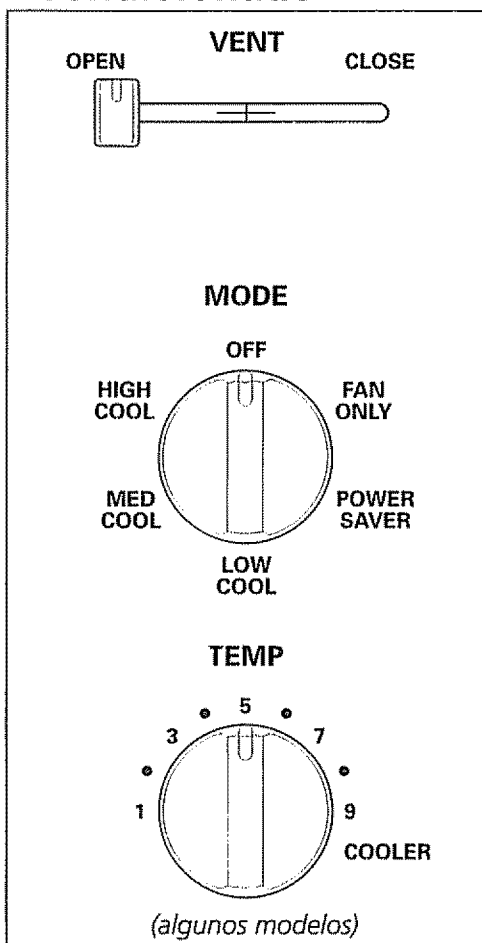
Para iniciar la operación del aire acondicionado, siga estos pasos:

1. Conecte el aire acondicionado (Para evitar peligros eléctricos, no use extensión ni clavija adaptador)
2. Ponga la ventila de salida a la posición CLOSED (CERRADA)
3. Ponga el control de TEMP al ajuste más fresco
4. Ponga el control del ventilador al máximo nivel.
5. Ajuste las rejillas para un flujo cómodo de aire.
6. Una vez que la habitación quedó fresca, seleccione el modo de POWER SAVER MODE [AHORRO DE ENERGIA] a donde lo encuentre más confortable

Revise las "Características de Aire Acondicionado" para otros ajustes

Características de Aire Acondicionado

Los controles de este manual son representativos de muchos modelos disponibles. Su modelo pudiera ofrecer características ligeramente distintas



Control TEMP

El control de TEMP sirve como termostato para ajustar el grado de frío en la habitación. Gire la perilla hacia la derecha del 1-9 para aumentar la temperatura de enfriamiento

MODOS DE FRESCURA

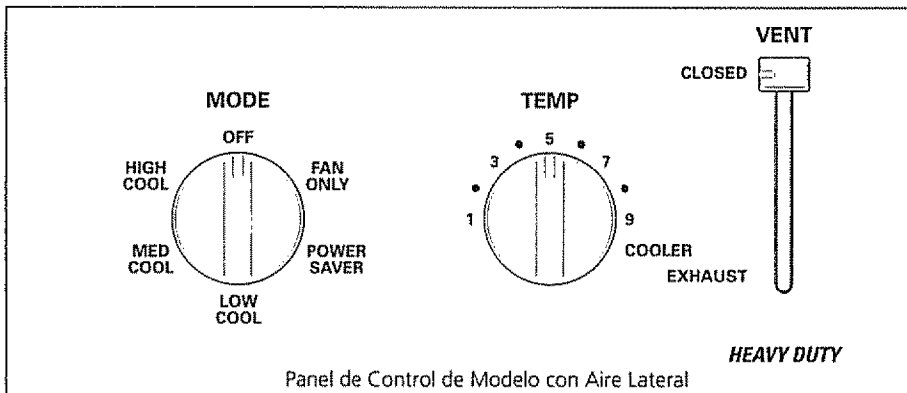
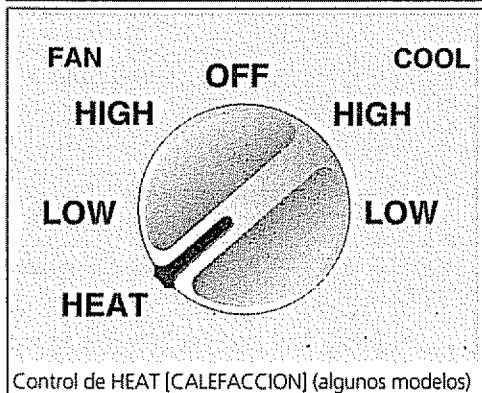
Cuando está en uno de los ajustes de COOL [FRIO], el aire acondicionado trabaja todo el tiempo, circulando el aire. El enfriamiento inicia sólo si la temperatura de la habitación sube por encima del nivel de enfriamiento seleccionado en el control de TEMP, y se detiene una vez que se alcanza el nivel de enfriamiento. Este ajuste proporciona las temperaturas más uniformes en la habitación.

POWER SAVER MODE [MODO DE AHORRO DE ENERGIA] (algunos modelos)

El MODO DE AHORRO DE ENERGIA puede ahorrar energía. En este ajuste, el ventilador no trabaja a menos que el control TEMP esté seleccionado a una temperatura más fría que la de la habitación. Cuando el control TEMP esté ajustado a temperatura más fría que la de la habitación, el aire acondicionado comienza a circular el aire de la habitación. El enfriamiento comienza en unos 3 minutos. El aire acondicionado se apaga automáticamente cuando la habitación alcanza el nivel de enfriamiento seleccionado. HIGH COOL [FRIO ALTO] es para enfriamiento rápido, MED. COOL [FRIO MEDIO] es para un enfriamiento normal, y LOW COOL [FRIO BAJO] es para enfriamiento silencioso.

HEAT [CALEFACCION]

La selección de HEAT [CALEFACCION] proporciona una silenciosa y eficiente circulación de aire caliente. Gire el selector al ajuste de HEAT y ponga el termostato en el número 1 o el menor ajuste. Cuando se seleccione el ajuste de HEAT, el termostato mantiene la temperatura encendiendo y apagando el calentador automáticamente respondiendo a la temperatura de la habitación. Una vez que la habitación está caliente, ajuste el termostato a una posición más fresca. El ventilador trabaja continuamente para circular el aire en la habitación.



Características del Aire Acondicionado (continuado)

Pudiera percibirse un ligero olor a calor proveniente de la unidad al cambiar a HEAT después de terminar la temporada de enfriamiento. Este olor, causado por partículas finas de polvo sobre el calentador, desaparecerá rápidamente.

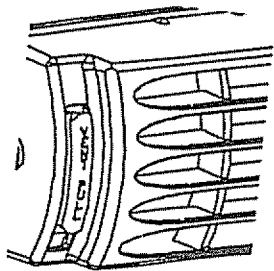


FIG. 1 (OFF) [APAGADO]

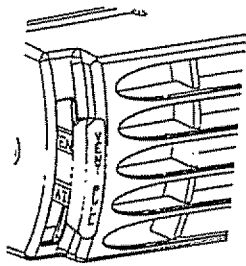


FIG. 2 (FRESH AIR) [AIRE FRESCO]

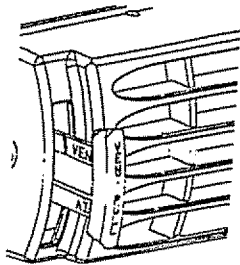


FIG. 3 (VENT) [VENTILA]

Control de Ventilas

El Control de Ventilas permite al aire acondicionado ya sea recircular el aire interior (CLOSED [CERRADO]) o ventear el aire al exterior (OPEN [ABIERTO])

- La posición CLOSED (CERRADO) se usa cuando se desea el máximo de enfriamiento. Puede además usarse para recirculación de aire sin enfriamiento cuando el aire acondicionado se encuentra en la posición de FAN (VENTILADOR).
- La posición OPEN (ABIERTA) expulsa el aire estancado de la habitación y lo ventea hacia el exterior. Entonces se jala aire fresco a la habitación a través de los pasajes normales de aire encontrados en las casas.
- Las posiciones OPEN y CLOSED (ABIERTA y CERRADA) pueden usarse con cualquier selección de ventilación.
- Para modelos compactos, empuje el control deslizante hacia CLOSE (CERRAR) y jale para OPEN (ABRIR).

Control de Ventilas para Aire Fresco

La Ventila de Aire Fresco permite que el aire acondicionado recircule aire interior (OFF [APAGADO]), jalar aire a la habitación (FRESH AIR [AIRE FRESCO]) o ventear aire estancado al exterior (VENT [VENTILAR]). Vea las Figuras 1, 2 y 3 para esta operación.

Rejillas Direccionales de Aire

Las rejillas direccionales de aire controlan la dirección del flujo de aire. Ajuste las rejillas arriba, abajo, izquierda o derecha. Las pestañas exteriores ajustan el aire hacia arriba o abajo. Las rejillas centrales lo dirigen hacia la izquierda o derecha.

Cuidado y Limpieza

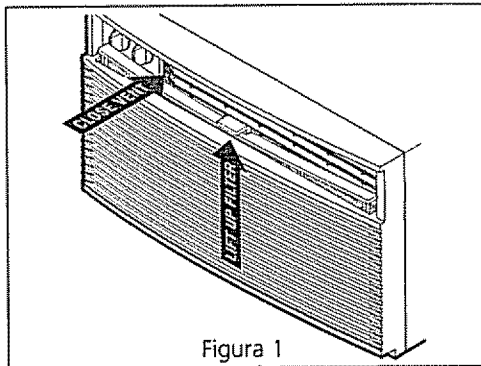


Figura 1

Limpie ocasionalmente su aire acondicionado para conservarlo luciendo como nuevo. **Asegúrese de desconectar la unidad antes de limpiarla para evitar peligros de electrocución o incendio.**

Limpieza del Filtro de Aire

El filtro de aire debe revisarse por lo menos una vez al mes para saber si necesita limpieza. Las partículas atrapadas en el filtro se pueden acumular y causar una acumulación de escarcha en los serpentines de enfriamiento. Esta condición puede reducir la capacidad de enfriamiento. Hay dos tipos de filtros: el filtro rígido y el filtro colapsable.

Los modelos con filtro rígido le permiten quitar el filtro sin quitar el frente:

- En algunos modelos, empuje la manija de control de ventila a la posición de OFF (APAGADO). Levante el filtro directamente hacia arriba y afuera (Figura 1)

Cuidado y Limpieza (continuado)

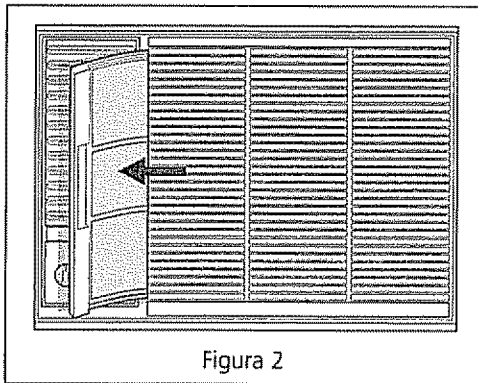


Figura 2

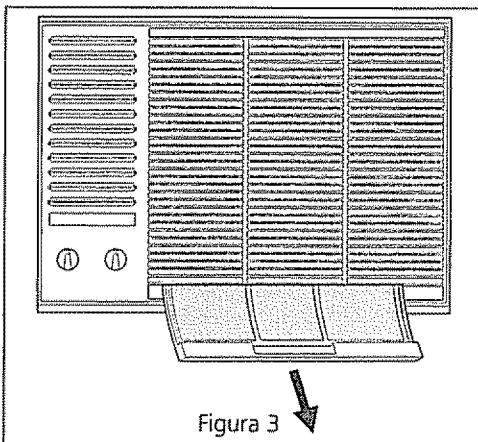


Figura 3

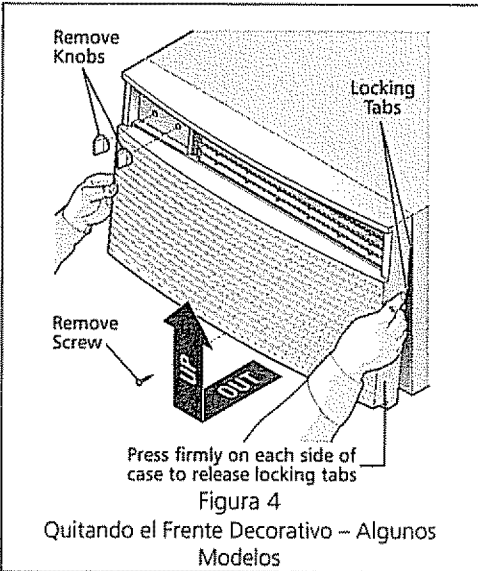


Figura 4

Quitando el Frente Decorativo – Algunos Modelos

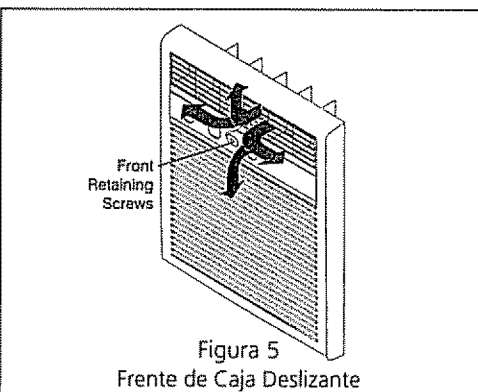


Figura 5

Frente de Caja Deslizante

- Los modelos con rejillas de 6-sentidos tienen un filtro deslizable. Sujete la manija formada del filtro y jale a la izquierda, quitándola del panel delantero (Figura 2)
- Para muchas instalaciones de ventana, este frente pudiera necesitar removerse para tener acceso al filtro para limpieza (Figura 3). Para quitar el frente, revierta el proceso de instalación para Modelos con Descarga Lateral de Aire mostrados en la Instalación Frontal
- Algunos modelos requieren que las rejillas con celosía se levanten antes de sacar el filtro. Coloque el pulgar bajo la manija central y contraiga la parte superior de la barra del filtro con el dedo índice, mientras jala el filtro hacia arriba y hacia afuera, como se muestra en la figura 6.

Lave el filtro usando un detergente lava-vajilla y agua tibia. Enjuague bien el filtro. Suavemente sacuda el exceso de agua del filtro. Seque bien antes de reinstalar.

Limpieza del Gabinete

- Asegúrese de desconectar el aire acondicionado para evitar peligros de electrocución e incendio. El gabinete y el frente pueden sacudirse con una tela sin aceite o lavarse con un trapo humedecido en una solución de agua tibia y detergente lavavajillas suave. Enjuague bien y seque con trapo.
- Jamás use limpiadores fuertes, cera ni polish en el frente del gabinete.
- Exprima el exceso de agua de la tela antes de limpiar alrededor de los controles. El exceso de agua en los controles puede causar daños al aire acondicionado.
- El frente del gabinete puede quitarse para una mayor limpieza. Consulte "Instalación Frontal" en este manual y las Figuras 4 y 5.
- Limpie el frente en una tarja usando detergente líquido lavavajillas y agua tibia. Enjuague bien y seque. Cuidado no dañar los sellos blandos en el frente.
- Vuelva a colocar el frente del gabinete. Cambie los tornillos o tuercas hexagonales.
- Vuelva a instalar el panel delantero y filtro. Conecte el aire acondicionado.

Quitando el Frente Decorativo y Carátula

1. Desconecte el cable de corriente de la pared.
2. Quite las perillas jalando con firmeza y luego quite la carátula. Quite del frente el tornillo de retención delantero (vea la Figura 4 o 5 para ubicación del tornillo, el que se asemeje más a su modelo). En algunos modelos quite el filtro para dejar expuestos los (2) dos tornillos frontales de retención.
3. Presione firmemente a cada lado de la caja metálica cercana al frente, aproximadamente a mitad de camino para la Figura 4, o 2/3 partes del camino de la Figura 5 de la parte superior del frente.
4. Mientras presiona en los lados de la caja metálica, suavemente jale el frente sacándolo y levante para soltarlo de la caja.

Para reinstalar:

La correcta reinstalación del frente decorativo es importante tanto para seguridad y desempeño.

2. Coloque la tapa del frente decorativo sobre la brida superior de la caja y alinee las pestañas en el frente con las ranuras en la caja. En algunos modelos quite el filtro para exponer los dos (2) tornillos delanteros de retención.
3. Con cuidado jale en el frente para embonar las pestañas superiores mientras empuja el frente sobre la caja para asegurar una correcta alineación. Las pestañas candado laterales harán "click" cuando el frente quede bien instalado.
4. Instale el tornillo delantero de retención (vea la Figura 4 o 5 para ubicación del tornillo, el que se asemeje más a su modelo).
5. Instale las perillas alineándolas con sus ejes y empujando con firmeza hasta acomodar.

Mantenimiento Rutinario

Almacenamiento de Invierno

Si planea guardar su aire acondicionado durante el invierno, quítelo con cuidado de la ventana de acuerdo con las instrucciones de instalación. Cubra con plástico o regréselo a su empaque de cartón original. **NOTA: Para evitar oxidación o que las conexiones eléctricas se dañen, guarde el aire acondicionado en posición derecha y en un sitio seco.** Con su distribuidor puede comprar un forro para invierno. Este forro protege el aire acondicionado cuando se deja en su sitio durante el invierno.

! ADVERTENCIA

Antes de realizar cualquier servicio, desconecte el cable de energía del contacto eléctrico.

Luego del servicio, invierta los anteriores procedimientos para reinstalar el aire acondicionado.

Limpiando el Frente del Gabinete

Quite el panel delantero. Lave con agua tibia, jabonosa. Enjuague y seque con un trapo suave. Nunca use solventes, fluidos de limpieza, limpiadores abrasivos o detergentes fuertes.

Si el empaque deja un residuo pegajoso, quite con una tela sumergida en alcohol de frotar.

Reparando Daños a la Pintura

Revise las partes expuestas al clima (caja del gabinete, herrajes de montaje, si están usadas, etc.) una o dos veces al año, especialmente en áreas cerca de océanos o donde la oxidación es un problema. En caso necesario, puede retocar con una pintura para exteriores de buen grado.

Limpiando Dentro del Aire Acondicionado

! CAUTION

No debe meterse ningún líquido en el motor, caja de control eléctrica, o terminales eléctricas del compresor.

- 1 Quite el panel delantero.
- 2 Con ayuda y usando los métodos adecuados de levantamiento para evitar lesiones personales, quite el chasis de la caja del gabinete*. Al quitar el aire acondicionado de la caja del gabinete o ventana, pudiera haber agua adentro de la base que pudiera derramarse en el piso. Tenga cuidado de evitar cortarse con las afiladas aletas metálicas en los serpentines delanteros y posteriores.
- 3 Los líquidos no deben introducirse en partes eléctricas. Envuelva en plástico el motor del ventilador, caja de controles eléctricos, y terminales eléctricas. Esto evita que el agua y otros líquidos puedan meterse donde pudiera dañar el aislamiento y provocar daños serios.
- 4 Limpie con manguera la base, serpentines y charolas de agua. Limpie al menos una vez al año o más si los serpentines y charolas juntan mugre, arena, hojas, algas o insectos.
- 5 Después de limpiar, quite la protección de plástico. Espere 24 horas antes de arrancar la unidad otra vez. Esto da tiempo a que todas las áreas se sequen.
NOTA: El agua de lluvia o del uso normal no daña estos componentes puesto que el agua no se mete a fuerza sobre las partes como en el caso de un chorro con manguera de jardín.

* **NOTA DEL ASA:** Si el aire acondicionado tiene un asa del chasis, NO ES PARA levantar la unidad. Es solamente para deslizar la unidad DENTRO de la caja del gabinete (para auxiliar en la limpieza, mantenimiento, etc.).



EL AIRE ACONDICIONADO NO TRABAJA

Revise si...	Entonces...
El cable de energía está desconectado	Conecte con firmeza el cable en un contacto activo con el voltaje apropiado
Fusible doméstico quemado o interruptor de circuito abierto	Cambie el fusible o reestablezca el circuito. Asegúrese que la unidad esté conectada en un contacto bien aterrizado conforme se describe en el Manual del Propietario incluido con la unidad.
El Control de Ventilador está en OFF [APAGADO].	Ponga el Control del Ventilador al ajuste deseado.

LA UNIDAD QUEMA FUSIBLES O ABRE EL INTERRUPTOR DE CIRCUITO

Revise si...	Entonces...
Hay demasiados aparatos usándose en el mismo circuito	Desconecte o reubique los aparatos que comparten el mismo circuito
Se está usando una extensión con la unidad	No use una extensión para operar el aire acondicionado
La unidad se está reiniciando inmediatamente después de apagar el circuito de enfriamiento	Espere tres minutos antes de apagar el circuito de enfriamiento antes de tratar de reiniciar la unidad

EL AIRE ACONDICIONADO SE ENCIENDE Y APAGA O NO ENFRIA LA HABITACION

Revise si...	Entonces...
El filtro está sucio u obstruido por suciedad	Limpie el filtro usando una aspiradora o lavar el filtro con agua tibia y un detergente suave. Seque bien antes de volver a usar
Los serpentines están sucios u obstruidos por suciedad. Revise tanto dentro del evaporador y fuera de los serpentines del condensador	Llame a la tienda local de Sears para inspeccionar y limpiar los serpentines y pasajes de agua de condensación. O si está familiarizado con los aparatos electrodomésticos, realice la limpieza necesaria siguiendo cuidadosamente las instrucciones de mantenimientos incluidos con la unidad
Hay calor o humedad excesiva en la habitación que se está enfriando (cocinando, duchas calientes, etc.)	Use los ventiladores de escape mientras cocina o se ducha y trate de no usar aparatos electrodomésticos generadores de calor durante la parte más caliente de día
El Control de Ventilador está puesto en un ajuste de Ahorro de Potencia/Ahorro de Energía	Use los ajustes NORMALES para una mayor comodidad. Cuando se usan los ajustes de Power Saving (Ahorro de Potencia), el ventilador no circula continuamente el aire de la habitación
El Control de Ventilador está puesto en OPEN [ABIERTO] o EXHAUST [SALIDA]	Fije el Control de Ventilador a CLOSED [CERRADO] para máximo enfriamiento
El Control de Temperatura no está a un ajuste suficientemente frío.	Fije el control de Temperatura a un ajuste más fresco

EL AGUA GOTEA DEL GABINETE HACIA ADENTRO DE LA CASA

Revise si...	Entonces...
La unidad no está nivelada correctamente. La unidad debe tener una ligera pendiente descendente hacia el exterior	Deje el aire acondicionado para tener una pendiente descendente de 0.5 centímetros (1/4") al exterior (1/2 burbuja en un nivel de carpintero) para proporcionar un drenado adecuado. Recolecte o calze el gabinete conforme sea necesario. NUNCA perforo un orificio con taladro en la charola de drenado.

EL AIRE ACONDICIONADO PARECE TRABAJAR DEMASIADO

Revise si...	Entonces...
La unidad actual reemplazó un modelo más antiguo	El uso de componentes más eficientes pudiera causar que la unidad corra más tiempo que un modelo antiguo, pero el consumo total de energía será menor. Las unidades nuevas no emiten el "estallido" de aire frío al que está acostumbrado de las unidades más antiguas, pero esto NO ES una indicación de menor capacidad o eficiencia de enfriamiento. Consulte la calificación de eficiencia (EER) y calificación de capacidad (en BTU's) marcado en la unidad
La unidad se encuentra en una habitación muy ocupada o se están usando aparatos generadores de calor en la habitación.	Use los ventiladores de salida mientras está cocinando o duchándose. Procure no usar aparatos generadores de calor durante la parte más calurosa del día. Dependiendo de las dimensiones de la habitación, pudiera ser necesario un aire acondicionado de mayor capacidad.

SONIDOS TÍPICOS PROVENIENTES DEL AIRE ACONDICIONADO:

Condensador- Usted pudiera escuchar gotas de agua impactando el condensador, provocando un sonido de goteo o salpicadura

Ventilador – Pudiera escucharse movimiento de aire procedente del ventilador

Vibración de la Unidad – La unidad pudiera vibrar y hacer ruido debido a una mala construcción de ventanas o muros.

Compresor- El moderno compresor de alta eficiencia pudiera tener un zumbido agudo o ruido pulsante intermitente

Termostato- Al ciclar el sistema de enfriamiento, el termostato pudiera hacer click

Garantía

GARANTIA

Garantía de Un-Año en el Aire Acondicionado

Sears reparará su aparato de aire acondicionado, sin cargo, si tiene defectos en materiales o mano de obra hasta por un año a partir de la fecha de compra, cuando sea operado y mantenido para enfriamiento normal de una habitación conforme a las instrucciones en el presente manual

Garantía de Cinco-Años en el Sistema Sellado de Refrigeración

Sears reparará el sistema sellado de refrigeración (consistente en el refrigerante, tubería y compresor), sin cargo, si tiene defectos en materiales o mano de obra hasta por cinco años a partir de la fecha de compra, cuando sea operado y mantenido para enfriamiento normal de una habitación conforme a las instrucciones en el presente manual

Servicio de Garantía

El servicio de garantía está disponible poniéndose en contacto con el centro de servicio más cercano en los Estados Unidos

La presente garantía le otorga derechos legales específicos, y usted pudiera tener otros derechos, los cuales varían de un estado a otro

SEARS, ROEBUCK and CO. Dept. 817WA, Hoffman Estates, IL 60719

Servicio Sears

Contrato de Mantenimiento

"Reparamos lo que Vendemos" es nuestra seguridad de que usted puede depender del servicio de Sears. Su aire acondicionado tiene un valor agregado cuando toma en cuenta que Sears tiene unidades de servicio en todo el país, equipado con técnicos profesionales entrenados en todos los electrodomésticos que Sears vende. Tienen el conocimiento y talento, herramientas, partes y equipo para asegurar nuestro compromiso hacia usted, que es, "Reparamos lo que Vendemos"

Contrato de Mantenimiento Sears

Mantenga el valor de su aire acondicionado con un Contrato de Mantenimiento Sears. Los aires acondicionados Sears están diseñados, fabricados y probados para darle años de operación confiable. Sin embargo, cualquier electrodoméstico moderno pudiera requerir de servicio en un momento dado. El Contrato de Mantenimiento Sears le ofrece un sobresaliente programa de servicio para su aire acondicionado.

El Contrato de Mantenimiento Sears

- Es su mejor forma de comprar el servicio de mañana a precios de hoy
- Elimina las cuentas de reparación resultantes del uso normal
- Permite tantas llamadas de servicio como sean necesarias
- Provee una Inspección de Mantenimiento Preventivo anual cuando usted lo disponga para conservar su Aire Acondicionado en condiciones adecuadas de trabajo.

Para mayor información, llame al 1-800-827-6655

Para servicio de reparación a domicilio de marcas reconocidas:

Llame 24 horas al día, 7 días a la semana

1-800 4-MY-HOME (1-800-469-4663)

Para las refacciones o piezas de reparación que necesite:

Llame de 7 am - 7 pm, 7 días a la semana

1-800-366-PART (1-800-3666-7278)

Para la dirección de un Centro de Partes y Reparaciones Sears en su localidad:

Llame 24 horas al día, 7 días a la semana

1-800-488-1222

Informes sobre comprar un Contrato de Mantenimiento Sears o para preguntas sobre su contrato vigente:

Llame de 9 am - 5 pm, Lunes a Sábado

1-800-827-6655



The Service Side of SearsSM