



Compact Refrigerator

Model No. 98291

2.9 cu. ft. Capacity

Read This Manual!

It will tell you how to operate and care for your refrigerator. It also offers tips on how to get the best and lowest cost performance.

If you prefer installing you own parts, use the parts list to find the part number. Do not use the illustration number.

In the space below record the model and serial number of your refrigerator. Each is printed on the model number plate located in the upper corner of the refrigerator back. Use these numbers when calling for service.

Model No. _____ Serial No. _____

Installation

Remove all packing material and tape from unit. Inspect unit thoroughly, notify Sears immediately if unit has any damaged or missing parts.

Install unit on a strong level floor or counter. Avoid any direct sunlight, heat source or moisture.

Let air circulate freely around the refrigerator. Keep the back of the unit at least 4 inches away from the wall.

Provide at least 1 inch of space between the top of the unit and any surface above it.



CAUTION: If you turn off the cold control, allow at least three minutes before restarting to avoid blowing fuses or tripping your circuit breaker.

Electrical Requirements

120 Volts, 60 Hz (60 cycles AC), 15 amps

Manual Contents:

- Installation
- Operation
 - Temperature Control
 - How To Remove Ice Cubes
 - How To Defrost
- Maintenance
 - Cleaning
- Food Storage Times and Energy Saving Tips
- Parts List
- Troubleshooting
- Warranty

Electrical Grounding

Your refrigerator comes with a three-prong plug and must be inserted into a three-prong, grounded wall outlet. DO NOT use an extension cord.



WARNING: Unless the above grounding method is followed, you are not protected against severe or lethal shock in the event of a short circuit in refrigerator wiring or electrical components.

Things to Remember

1. When resetting your refrigerator to a new temperature, allow 24 hours for it to reach the new setting.
2. The motor will start and stop often. It must do so in order to maintain the temperature you select.
3. Keep your refrigerator level, so that the door seals properly.
4. Unplug the refrigerator before doing anything with the electrical system.
5. The low temperature section is not intended for long-term storage of frozen foods.

Sears, Roebuck and Co., Hoffman Estates, IL 60179

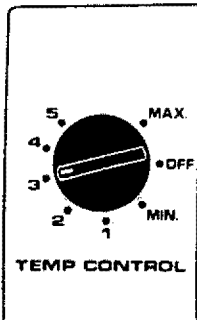
Temperature control

Normally temp. Control knob should be set at "3" position.

Refrigerator compartment temperature and freezer compartment temperature can be adjusted by turning Temp. Control knob. The closer to "MAX" position Temp. Control is set by turning the knob clockwise, the lower temperature of refrigerator compartment and freezer compartment becomes.

Set the knob at "MAX" position only when ice cubes are needed in a hurry. (Be sure to return Control setting to normal position when ice cubes have been made.)

When room temperature is high and Temp. Control knob is set at "5" or "MAX" position for a long time, it is possible that evaporator of refrigerator compartment will be frosted heavily which may cause insufficient cooling of refrigerator compartment. In this case, the Temp. Control knob should be set at "2" position or below, Then, set the knob at normal position.



Refrigerator compartment temperature and freezer compartment temperature will vary depending on the quantity of foods stored and on the frequency with which doors are opened.

How To Remove Ice Cubes

Ice cube tray is flexible, Twist tray to remove ice cubes.



Never use metal instrument such as a knife or screwdriver to remove ice cube tray, because this may damage evaporator.

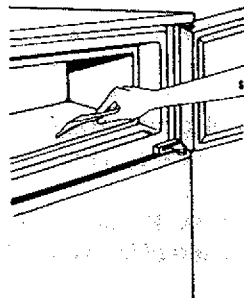
How To Defrost

This refrigerator has separate defrosting systems, one for each compartment.

1. Freezer Compartment

When freezer compartment is frosted about 1/4 inch thick, defrosting is required. Frosting will interfere with proper freezing.

When frost is thin or soft, scrape off and remove frost on freezer compartment walls with scraper. This can be done without interrupting freezing operation.



When frost is hard/icy or heavy, defrost freezer compartment as follows:

Remove foods from freezer compartment, Then, set Temp. Control knob at "OFF" position.

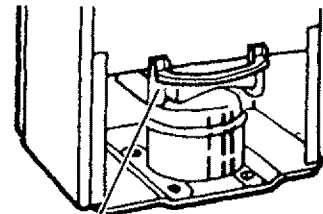
When ice/frost on side walls and ceiling of freezer compartment comes off, remove ice and melted water with scraper and cloth.

After defrosting, reset Temp. Control knob at normal position to start freezing.

2. Refrigerator Compartment

As far as Temp. Control is set at ordinary position, evaporator of refrigerator compartment is automatically defrosted and no manual operation is needed to defrost. Defrosted water is drained out to evaporating tray on the back of refrigerator cabinet and is evaporated therein automatically.

Never use a knife or other metal instrument to remove frost and/or ice, because this may damage evaporator.



Evaporating Tray

Cleaning

Disconnect the plug from the electrical outlet. Remove foods, shelves, trays, etc.

To clean interior liner, use a soft cloth with water or a solution of warm water mixed with two tablespoons baking soda per a quart. Do not use soaps, detergents, scouring powder, spray cleaners or the like, or it may cause odor in refrigerator.

Shelves and ice cube trays may be washed in water.

Wipe exterior surface with soft cloth dampened with mild soap water and then dry with soft cloth.

Use only milk soap water to clean door gaskets.

Never use boiling water, scouring powder, acids, chemical thinner, gasoline, benzine or the like for cleaning refrigerator, because these may deform or damage exterior surface, plastic parts and door gaskets.

Since dust accumulated on evaporating tray will decrease the evaporation efficiency, remove the tray and clean it. Evaporating tray is set on refrigerator back. To remove, pull it.

Food Storage Times and Tips

Use these storage times as a guide. Actual Storage times vary, since food quality always varies.

For the Refrigerator Section

Bread: Refrigeration slows molding. But bread still gets stale with time, so use within 3 days.

Dairy Products: Keep cartons closed. Use milk, cream or cottage cheese within 5 days. Wrap cheese tightly with foil or plastic wrap. Hard cheese (cheddar, etc.) will keep as long as a month. Soft cheeses will keep up to 2 weeks. Wrapped butter keeps about 2 weeks.

Eggs: Store unwashed. Use within 2 weeks.

Fish: Clean. Wrap tightly. Freeze unless you use it the same day you buy it.

Fruits: Wash, dry and store in crisper. Store fruits with strong aromas (apples, melons) in plastic bags. Berries keep up to 3 days, if stored unwashed, in a shallow open bowl.

Leftovers: Let cool before storing. Wrap well. Use within 2 days (or freeze).

Meat: Wrap meats loosely (and seal). Wrap smoked meats tightly. Use foil or plastic wrap. Store in meat drawer or on lower shelf. For best results, use within recommended times.

Refrigerator Storage Times

	No longer than
Bacon and other Smoked Meats	14 Days
Cold Cuts . . . (Date on Package)	or 3 Days
Ground Meat	1-2 Days
Liver and other Organ Meats	1-2 Days
Steaks and Roast (Fresh)	2-3 Days

Poultry: Rinse before storing. Wrap loosely in foil or plastic wrap and seal. (Wrap giblets separately.) Use within 2 days.

Vegetables: Wash, drain and store in crisper. Or store unwashed in plastic wrap.

For the Freezer Section

Wrap carefully and seal. Contact with air shortens the life of food. So containers must be airtight. Fresh foods that are already packaged, such as bread or poultry, should be rewrapped. Use heavy duty aluminum foil freezer paper and tape or special freezer containers.

Freeze food only when it is fresh and in top condition. Do not refreeze.

Label and date each package. Use food with the oldest date first.

When loading the freezer, allow enough space at the front to let the door close completely and seal.

Freezer Storage Times

	No longer than
Bread	6 Months
Butter, Margarine	2-9 Months
Cooked Dishes	3 Months
Fish (packaged frozen)	3 Months
Fruits	12 Months
Ice Cream	1 Month
Juice Concentrate	6 Months
Meats-	
Bacon, other Smoked Meats	1 Month
Beef or Lamb	5-6 Months
Ground Meat	3-4 Months
Liver, other Variety Meats	3-4 Months
Pork or Veal	4 Months
Poultry	4-6 Months
Vegetables	8 Months

Energy Saving Tips

Ways to Save Power, Save Money, and Still enjoy your Kenmore.

1. **Close the door as soon as you can.** Make sure the door is fully shut after each use, so cold air doesn't escape.
2. **Keep the condenser coils clean.** Your Kenmore's motor works harder when coils are dusty. Clean the coils at least once every 3 months. They are on the back of your refrigerator. Allow 3 inches of air space above your Kenmore so air circulates freely.
3. **Adjust the cold control.** Try a warmer setting. Your refrigerator may be colder than needed. Check the refrigerator temperature with milk. As long as it keeps well, your refrigerator is cold enough.
4. **Don't put hot foods in the refrigerator.**
5. **Don't allow more than ¼" of frost to build up in the frozen food storage section.**
6. **Reduce door openings,** so your cooling system won't have to run as often.
7. **Keep your refrigerator reasonably level.** So the door seals tightly. When the door is closed, the door gaskets should touch the refrigerator all the way around. If not, make your refrigerator more level. Use the adjustment screw under the refrigerator.
8. **Keep the refrigerator away from the stove or other heat sources.** A cool and dry place lets your refrigerator work best.

Parts List

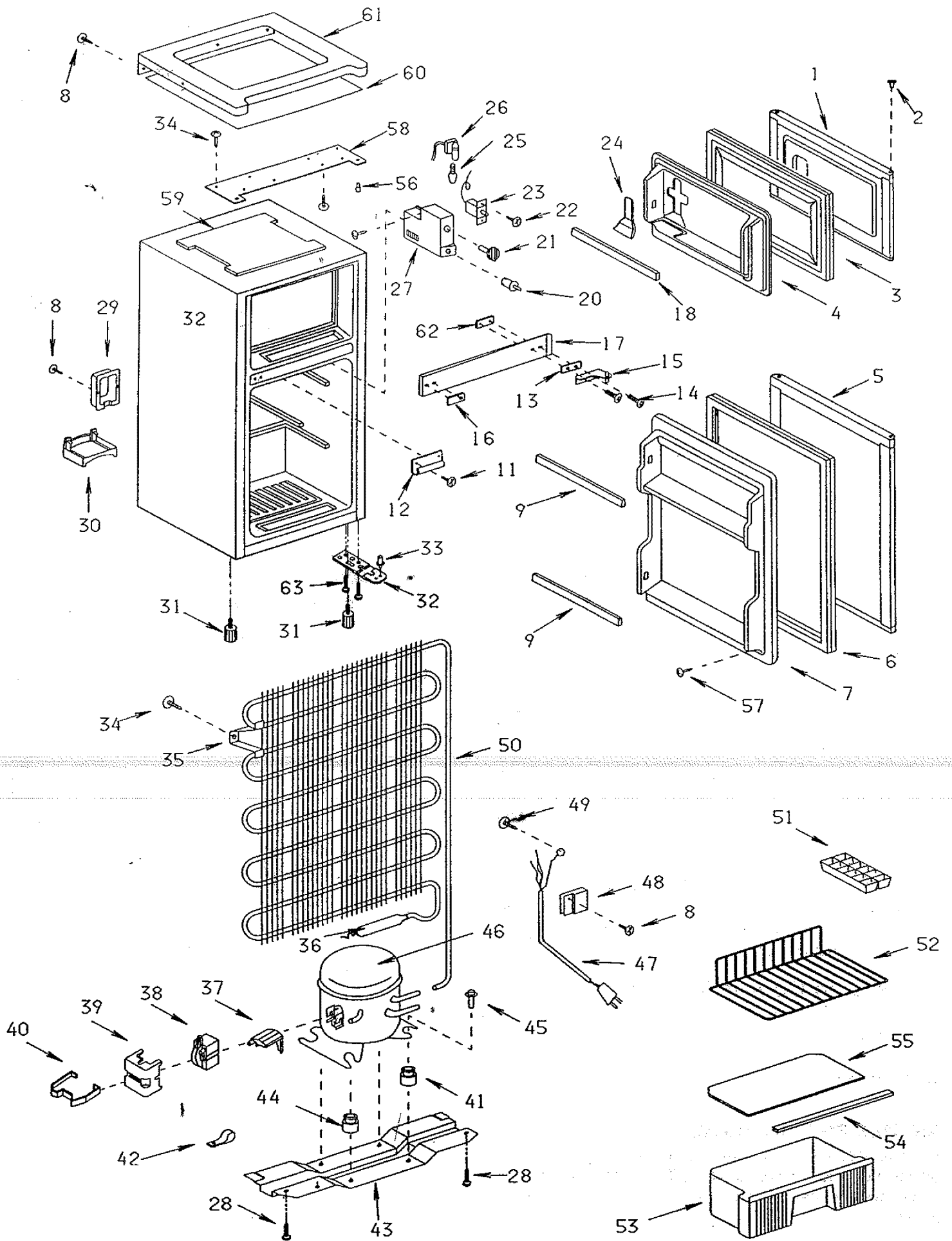
Model No. 564.98291890

CAUTION: Use the part number on all orders, not the illustration number.

ITEM #	PART #	PART NAME	ITEM #	PART #	PART NAME
1	302385	Foamed Door, F.	36	302268	Single Drier 8 gr.
2	302388	Cap Grommet White	37	301982	Overload Relay
3	301269	Gasket, F.	38	302396	PTC Thermistor
4	302387	Door Liner, F.	39	302373	Relay Cover
5	302390	Foamed Door, R.	40	301957	Clip Relay Cover
6	301268	Gasket, R.	41	302289	Grommet Comp. Mtg.
7	302391	Door Liner, R.	42	302238	Nylon Clamp
8	300308	Screw #023	43	302365	Compressor Base Plate
9	301258	Door Trim R.	44	301746	Grommet Comp. Mtg.
11	300493	Screw #036	45	300413	Bolt #050
12	302177	Clamp	46	302397	Compressor CQN78L2A
13	302198	Middle Shim	47	301744	Power Cord
14	302239	Screw Middle Hinge	48	301817	Cord Clamp
15	302392	Hinge Middle	49	301991	Screw #026
16	301084	Middle Hinge Cover	50	302150	Condenser
17	302393	Plate Mullion	51	300152	Ice Cube Tray
18	302394	Trim Shelf Door	52	301769	Shelf
19	300509	Shim	53	300437	Crisper, Clear
20	302192	Door Switch	54	302172	Trim Shelf Crisper
21	302175	Thermo Knob	55	302364	Shelf Crisper, Clear Glass
22	301991	Screw #026	56	302398	Shaft Hinge Top
23	300384	Thermostat	57	302399	Nylon Washer, Natural
24	300392	Scraper	58	302400	Top Support Plate
25	301021	Light Bulb	59	302401	Top Table Support
26	302199	Lamp Socket	60	302402	Sheet Top Table
27	302227	Panel Thermo	61	302403	Top Table Frame
28	302009	Bolt #119	62	300509	Shim, Hinge Middle
29	301730	Case Wire Saplicer	63	301868	10027 Bolt
30	302395	Drain Tray Natural			
31	302291	Leg			
32	302345	Bottom Hinge			
33	302348	Shaft Hinge Bottom			
34	302317	Screw #159			
35	301738	Plate Support Condenser			

PARTS NOT ILLUSTRATED

302404	Owner's Manual
302340	Mascot
302153	Technical Sheet
302405	Auxiliary Manual



Before Calling for Service

Caution:

Your Kenmore refrigerator is an electrical appliance and should be unplugged before changing the light bulb or other servicing that involves the electrical system.

See if your questions can be answered on this page.

My Refrigerator is Too Warm

Review adjusting Temperature Control setting.

My Refrigerator Has Stopped Running and The Light is Not On

1. Check the light bulb.
2. Make sure the power cord plug is making full contact in the wall outlet. Check the outlet with another appliance or lamp.
3. Check the fuse box for a blown fuse or tripped circuit breaker.

When Power Fails

1. Keep the refrigerator door closed.
3. When the power is off for more than 5 hours, fill extra space in freezer with dry ice or transfer the food to the nearest food locker.

Moisture Collects on The Outside of My Refrigerator

1. Periods of high humidity and temperature will cause this.
2. Make sure the doors seals tightly. If the don't, adjust the leveling feet.

My Refrigerator Sounds Noisy

Make sure the cabinet is level from side to side and from front to back. Make sure the cabinet is not touching the wall and rests squarely on the floor at all four corners.

There is an Odor in My Refrigerator

1. Check covers on food containers in both sections. Check for spilled foods.
2. Clean both sections.

Ice Has an Odd Flavor

Ice, regardless of how it is made, will sometimes develop an off flavor or color if it kept too long. To avoid this empty ice cube trays and make a completely new supply about once a month.

Model Number Location

If you ever need service, be sure to give the complete eleven digit model number. It's on a small label on the back of the refrigerator. For example if you have Kenmore **98291**, your complete number may be **564.98291890**

To Order Repair Parts, See p. 4-5.

Full One Year Warranty on Refrigerator

For one year from the date of purchase, when this refrigerator is operated and maintained in accordance with the owner's instructions that come with it, Sears will repair it, free of charge, if defective in material or workmanship.

Full One Year Warranty on Sealed Refrigeration System

For one year from the date of purchase, when this refrigerator is operated and maintained in accordance with the owner's instructions that come with it, Sears will repair the sealed system (consisting of refrigerant, connecting tubing and compressor motor), free of charge, if defective in material or workmanship.

The above warranty coverage applies only to refrigerators which are used for the storage of food for private household purposes.

Warranty service is available by contacting the nearest Sears Service Center throughout the United States.

This warranty applies only while this product is in use in the United States. This warranty gives you specific rights and you may also have other rights which vary from state to state.

Sears, Roebuck and Co.
Hoffman Estates, IL 60179

Get fixed, at your home or ours!

Your Home

For repair-in your home-of all major brand appliances, lawn and garden equipment, or heating and cooling system, **no matter who made it, no matter who sold it!**

For the replacement parts, accessories and owner's manuals that you need to do-it-yourself.

For Sears professional installation of home appliances and items like garage door openers and water heaters.

1-800-4-MY-HOME® (1-800-469-4663)

Call anytime, day or night (U.S.A. and Canada)

www.sears.com www.sears.ca

Our Home

For repair of carry-in items like vacuums, lawn equipment, and electronics, call or go on-line for the location of your nearest **Sears Parts & Repair Center.**

1-800-488-1222

Call anytime, day or night (U.S.A. only)

www.sears.com

To purchase a protection agreement on a product serviced by Sears:

1-800-827-6655 (U.S.A.)

1-800-361-6665 (Canada)

Para pedir servicio de reparación a domicilio, y para ordenar piezas:

1-888-SU-HOGARSM

(1-888-784-6427)

Au Canada pour service en français:

1-888-LE-FOYER^{MC}

www.sears.ca

SEARS

® Registered Trademark/™ Trademark/SM Service Mark of Sears, Roebuck and Co.

® Marca Registrada/™ Marca de Fábrica/SM Marca de Servicio de Sears, Roebuck and Co.

MC Marque commerce/MD Marque déposée de Sears, Roebuck and Co.