

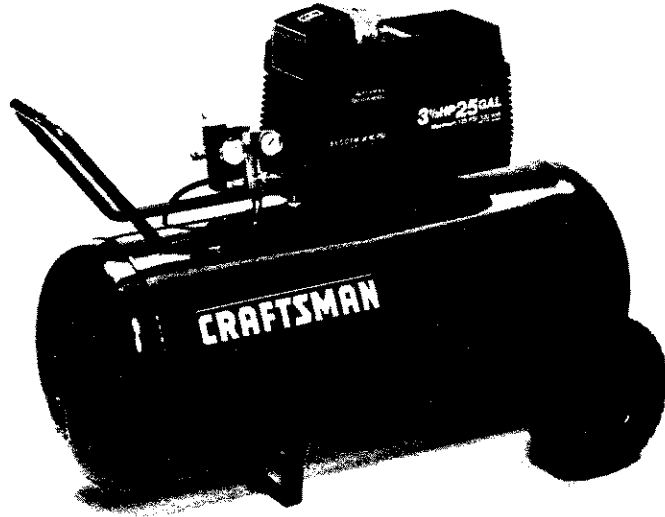
SEARS

PARTS MANUAL

MODEL NO. 919.155730

Important:

Before using this equipment, read all Safety Precautions and both manuals. Retain for future use.



CRAFTSMAN PERMANENTLY LUBRICATED AIR COMPRESSOR

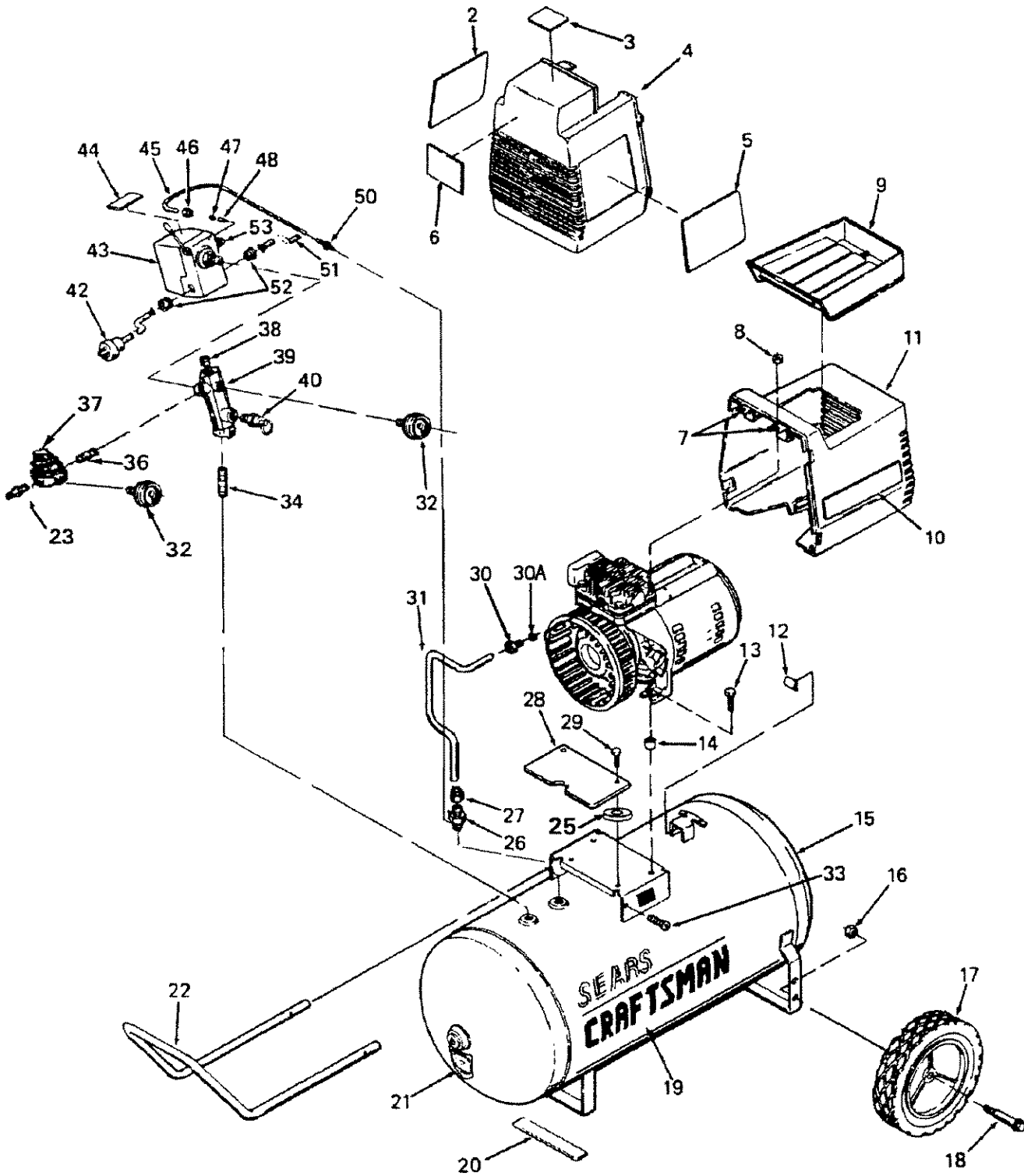
SPECIFICATION CHART

| | |
|------------------------------------|----------------------|
| Model No. | 919.155730 |
| Horsepower | 3 1/2 |
| Displacement CFM | 11.9 |
| Bore | 2 3/8" |
| Stroke | 1.35" |
| Voltage-Single Phase | 120/240 |
| Minimum Branch Circuit Requirement | 15 amps |
| Fuse Type | "Fusetron" Type T |
| Air Tank Capacity - GAL | 25 gal. A.S.M.E. |
| Approximate Cut-in Pressure | 100 |
| Approximate Cut-out Pressure | 125 |
| SCFM @ 40 psig | 8.5 |
| SCFM @ 90 psig | 6.8 |
| UL Listed | Yes |

Sears, Roebuck and Co., Chicago, IL 60684 U.S.A.

M-155730 10/16/91

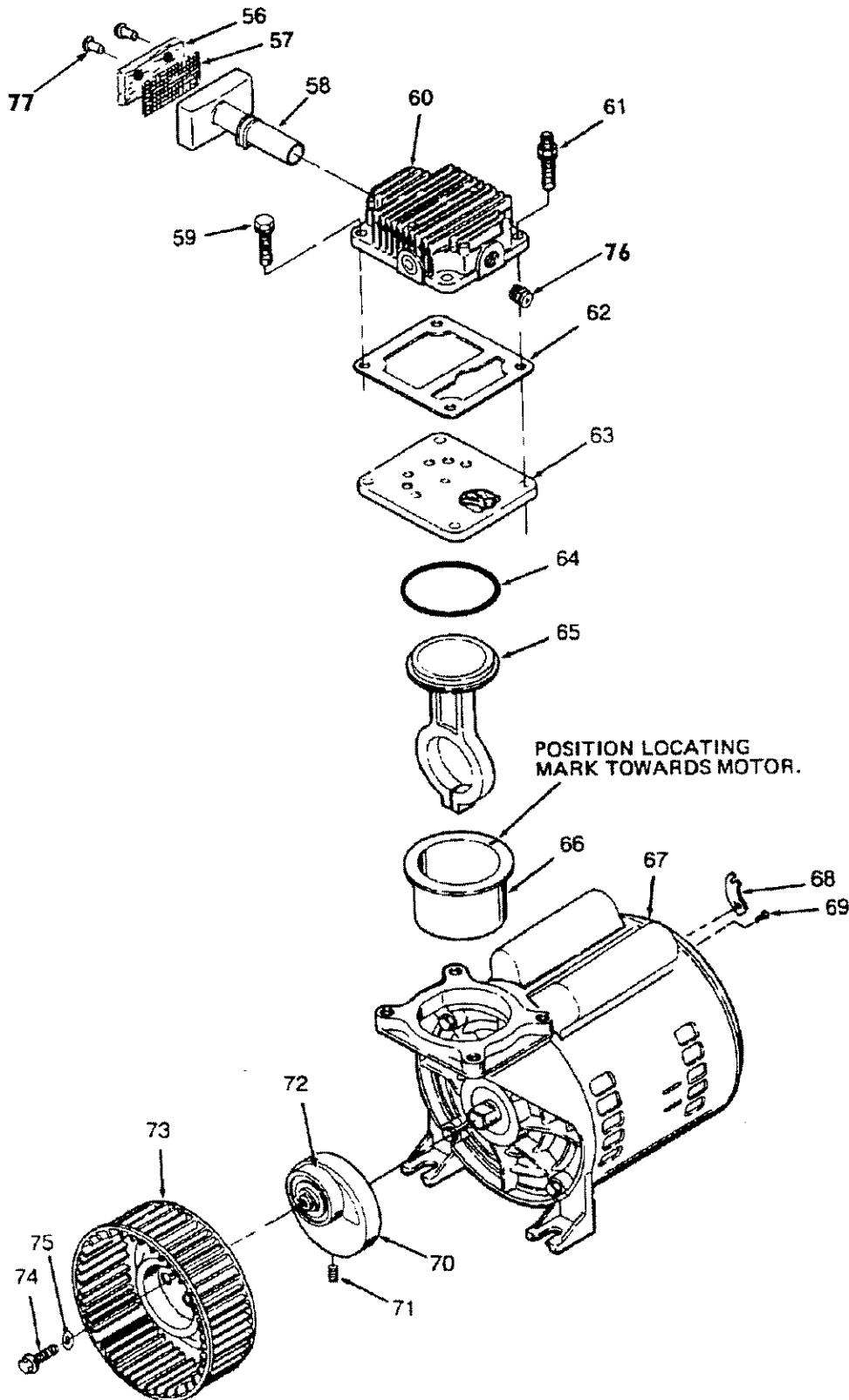
AIR COMPRESSOR DIAGRAM



PARTS LIST

| KEY NO. | PART NUMBER | DESCRIPTION |
|---------|-------------|---|
| 1 | --- | Not used |
| 2 | CL-79 | Model No. Label |
| 3 | LA-1779 | Hot Surface Label |
| 4 | CAC-1140 | Shroud - front |
| 5 | LA-2323 | Performance Label |
| 6 | LA-2178 | Warning Label |
| 7 | CAC-1121 | Bracket (2 used - included with #11) |
| 8 | SS-655-ZN | Hex nut 1/4" 20 (2 used) |
| 9 | CAC-1080 | Tool tray |
| 10 | LA-2380 | H.P. Label 3.5 H.P. |
| 11 | CAC-4317 | Rear shroud assembly (includes 2 ea. #7) |
| 12 | CAC-1099 | U-Channel isolator |
| 13 | SSF-505 | Shoulder screw (2 used) |
| 14 | CAC-1098 | Isolator (2 used) |
| 15 | TA-4213 | Air Tank |
| 16 | SSF-8080-ZN | Nut 3/8"-16 (2 used) |
| 17 | CAC-4313 | Wheel (2 used) |
| 18 | CAC-60 | Shoulder bolt 3/8"-16 X 2 1/4" (2 used) |
| 19 | LA-1811-1 | Sears Craftsman Label |
| 20 | SUDL-6-1 | Rubber foot strip |
| 21 | LA-1978 | Drain Tank Label |
| 22 | CAC-1304-1 | Handle |
| 23 | H-2099 | Adapter |
| 25 | SSN-62 | Nylon spacer (2 used) |
| 26 | CAC-4290-1 | Check Valve |
| 27 | SSP-7813 | Nut sleeve assembly (for 3/8" O.D. Tube) |
| 28 | CAC-333-1 | Shroud Plate |
| 29 | SSF-1000 | Screw (2 used) |
| 30 | SSP-7821 | Nut (tighten until it stops against head) |
| 30 A | CAC-1120 | Silicone Sleeve |
| 31 | CAC-1155 | Outlet tube |
| 32 | C-GA-345 | Pressure Gauge (2 used) |
| 33 | SSF-981 | Screw 1/4" AB x 3/4" long |
| 34 | SS-2072 | Nipple (3/8" NPT X 1 1/2" long) |
| 36 | SS-2071 | Nipple |
| 37 | CAC-4296 | Regulator |
| 38 | SS-3222-CD | Pipe plug 1/4" NPT |
| 39 | CAC-365 | Manifold |
| 40 | TIA-4150 | Safety valve ASME |
| 41 | --- | Not used |
| 42 | SUDL-403-1 | Cord assembly - line |
| 43 | CAC-4221-1 | Pressure switch |
| 44 | LA-1531-1 | On-Off Label |
| 45 | CAC-1085 | Pressure relief tube (warm tube before installing on #50) |
| 46 | STD575025 | Nut (for 1/4" O.D. Tube) |
| 47 | STD575026 | Ferrule (for 1/4" O.D. Tube) |
| 48 | SSP-9013 | Tube insert |

COMPRESSOR PUMP DIAGRAM



PARTS LIST

| KEY NO. | PART NUMBER | DESCRIPTION |
|---------|--------------|--|
| 49 | --- | Not used |
| 50 | SSP-6088 | Barbed Fitting |
| 51 | CAC-4215-1 | Cord assembly - motor |
| 52 | SSW-7367 | Strain relief (2 used) |
| 53 | KK-4315 | Pressure release valve and mounting nut (included with #43) |
| + 56 | DAC-143 | Air Filter |
| + 57 | DAC-142 | Muffler screen |
| + 58 | CAC-1173-1 | Intake muffler |
| 59 | SSF-990 | Screw 1/4"-20 X 1 1/4" (2 used, torque 7-10 ft. lbs.) |
| • 60 | CAC-1122-U-1 | Head |
| 61 | SSF-6640 | Stud 1/4"-20 X 1 1/4" (2 used, torque 7-10 ft. lbs.) |
| • 62 | CAC-1175 | Head Gasket |
| 63 | CAC-4281-1 | Valve plate assembly (includes valves, restrictors & screws) |
| 64 | SSG-8156 | O-ring |
| * 65 | --- | Connecting rod assembly (torque screw 30-35 in. lbs.) |
| * 66 | --- | Cylinder sleeve (position locating mark toward motor) |
| 67 | C-MO-3020 | Motor 3.5 HP |
| 68 | SSW-5394 | Terminal box cover |
| 69 | SSF-993 | Ground screw |
| 70 | CAC-4086 | Eccentric/Flywheel bearing assy. (includes 1 ea. #72) |
| 71 | SSF-3153 | Screw (eccentric, torque 120-140 in. lbs.) |
| 73 | CAC-1148-1 | Squirrel cage fan |
| 74 | SSF-3101 | Screw #10-24 X 3/8" long (torque 30-35 in. lbs.) |
| 75 | SS-6505-CD | Washer (1/4") |
| • 76 | DAC-140 | Flow Valve |
| + 77 | DAC-144 | Fastener Intake Filter (2 used) |
| | | NOT ILLUSTRATED |
| | H-5796 | Air Hose Assembly (1/4" I.D. x 15') |
| | SSH-8 | Air Chuck |
| | M-155730 | Parts Manual |
| | MG-PERMLUBE | General Manual |
| | SS-2707 | Drain Valve |

- * Key Nos. 65 & 66 can only be purchased as part of KK-4835 connecting rod kit.
- X Key No. 72 can only be purchased as part of No. 70.
- Key Nos. 60, 62 & 76 can be purchased as KK-4987 Head/Gasket/Valve Kit.

SERVICE NOTES

SERVICE NOTES

SEARS

PARTS MANUAL

SERVICE

MODEL NO.

HOW TO ORDER REPAIR PARTS

FULL ONE YEAR WARRANTY AIR COMPRESSORS

CRAFTSMAN PERMANENTLY LUBRICATED AIR COMPRESSOR

Now that you have purchased your Sears Air Compressor, should a need ever exist for repair parts or service, simply contact any Sears Service Center and most Sears, Roebuck and Co. stores. Be sure to provide all pertinent facts when you call or visit.

The model number of your Sears Compressor can be found on the label which is located on the rear of the shroud.

WHEN ORDERING REPAIR PARTS, ALWAYS GIVE THE FOLLOWING INFORMATION:

- PART NUMBER
- PART DESCRIPTION
- MODEL NUMBER
- NAME OF ITEM

If service or repair parts are required for the motor, supply all motor nameplate information including manufacturer's name.

All parts listed may be ordered from any Sears Service Center and most Sears stores.

If the parts you need are not stocked locally, your order will be electronically transmitted to a Sears Repair Parts Distribution Center for handling.

If this air compressor fails due to a defect in material or workmanship within one year from the date of purchase, RETURN IT TO THE NEAREST SEARS SERVICE CENTER/DEPARTMENT THROUGHOUT THE UNITED STATES AND SEARS WILL REPAIR IT, FREE OF CHARGE.

If this air compressor is used for commercial or rental purposes, the warranty will apply for ninety days from the date of purchase.

This warranty gives you specific legal rights and you may have other rights which vary from state to state.