

Sears

*owners
manual*

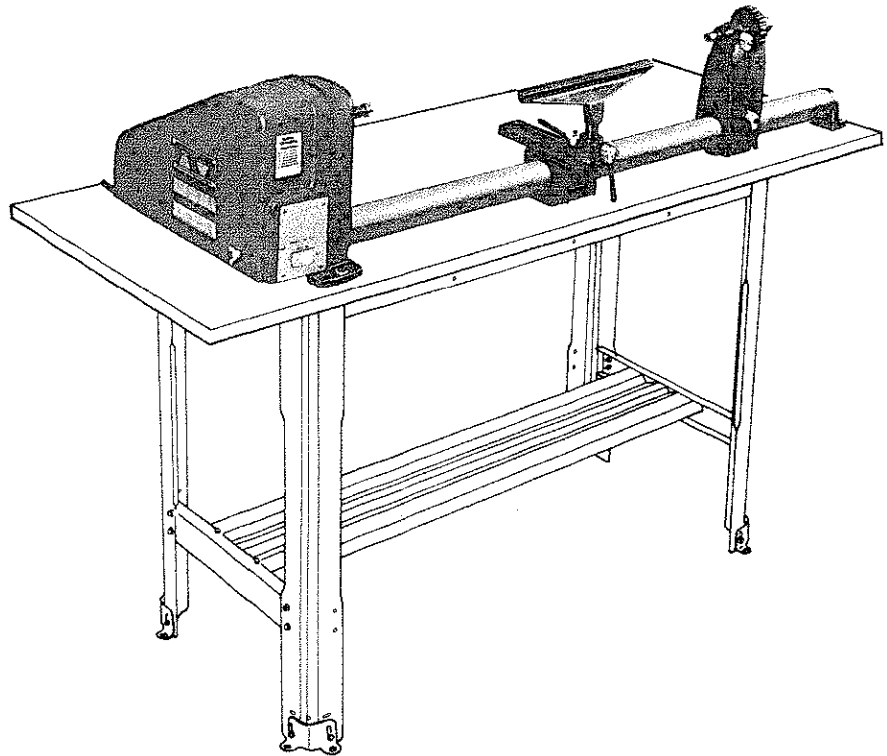
**MODEL NO.
113.23800**

Serial
Number _____

Model and serial
number may be found
under belt guard.
You should record both
model and serial number
in a safe place for
future use.

CAUTION:

Read **GENERAL** and
ADDITIONAL SAFETY
INSTRUCTIONS
carefully



Sears

CRAFTSMAN

**12-INCH
WOOD-TURNING LATHE**

- *assembly*
- *operating*
- *repair parts*

Sold by SEARS, ROEBUCK AND CO., Chicago, IL. 60684 U.S.A.

FULL ONE YEAR WARRANTY ON CRAFTSMAN WOOD TURNING LATHE

If within one year from the date of purchase, this Craftsman Wood Turning Lathe fails due to a defect in material or workmanship, Sears will repair it, free of charge.

Warranty service is available by simply contacting the nearest Sears store or Service Center throughout the United States.

This warranty gives you specific legal rights, and you may also have other rights which vary from state to state.

SEARS, ROEBUCK AND CO.
BSC 41-3
SEARS TOWER
CHICAGO, IL. 60684

GENERAL SAFETY INSTRUCTIONS FOR POWER TOOLS

1. KNOW YOUR POWER TOOL

Read the owner's manual carefully. Learn its application and limitations as well as the specific potential hazards peculiar to this tool.

2. GROUND ALL TOOLS

This tool is equipped with an approved 3-conductor cord and a 3-prong grounding type plug to fit the proper grounding type receptacle. The green conductor in the cord is the grounding wire. Never connect the green wire to a live terminal.

3. KEEP GUARDS IN PLACE

— in working order, and in proper adjustment and alignment.

4. REMOVE ADJUSTING KEYS AND WRENCHES

Form habit of checking to see that keys and adjusting wrenches are removed from tool before turning it on.

5. KEEP WORK AREA CLEAN

Cluttered areas and benches invite accidents. Floor must not be slippery due to wax or sawdust.

6. AVOID DANGEROUS ENVIRONMENT

Don't use power tools in damp or wet locations or expose them to rain. Keep work area well lighted. Provide adequate surrounding work space.

7. KEEP CHILDREN AWAY

All visitors should be kept a safe distance from work area.

8. MAKE WORKSHOP KID-PROOF

— with padlocks, master switches, or by removing starter keys.

9. DON'T FORCE TOOL

It will do the job better and safer at the rate for which it was designed.

10. USE RIGHT TOOL

Don't force tool or attachment to do a job it was not designed for.

11. WEAR PROPER APPAREL

Do not wear loose clothing, gloves, neckties or jewelry (rings, wristwatches) to get caught in moving parts. NONSLIP footwear is recommended. Wear protective hair covering to contain long hair. Roll long sleeves above the elbow.

12. USE SAFETY GOGGLES (Head Protection)

Wear safety goggles (must comply with ANS Z87.1) at all times. Also, use face or dust mask if cutting operation is dusty, and ear protectors (plugs or muffs) during extended periods of operation.

13. SECURE WORK

Use clamps or a vise to hold work when practical. It's safer than using your hand, frees both hands to operate tool.

14. DON'T OVERREACH

Keep proper footing and balance at all times.

15. MAINTAIN TOOLS WITH CARE

Keep tools sharp and clean for best and safest performance. Follow instructions for lubricating and changing accessories.

16. DISCONNECT TOOLS

before servicing; when changing accessories such as blades, bits, cutters, etc.

17. AVOID ACCIDENTAL STARTING

Make sure switch is in "OFF" position before plugging in.

18. USE RECOMMENDED ACCESSORIES

Consult the owner's manual for recommended accessories. Follow the instructions that accompany the accessories. The use of improper accessories may cause hazards.

19. NEVER STAND ON TOOL

Serious injury could occur if the tool is tipped or if the cutting tool is accidentally contacted.

Do not store materials above or near the tool such that it is necessary to stand on the tool to reach them.

20. CHECK DAMAGED PARTS

Before further use of the tool, a guard or other part that is damaged should be carefully checked to ensure that it will operate properly and perform its intended function. Check for alignment of moving parts, binding of moving parts, breakage of parts, mounting, and any other conditions that may affect its operation. A guard or other part that is damaged should be properly repaired or replaced.

21. DIRECTION OF FEED

Feed work into a blade or cutter against the direction of rotation of the blade or cutter only.

22. NEVER LEAVE TOOL RUNNING UNATTENDED

Turn power off. Don't leave tool until it comes to a complete stop.

additional safety instructions for wood turning lathes

Safety is a combination of operator common sense and alertness at all times when the Lathe is being used.

WARNING: FOR YOUR OWN SAFETY, DO NOT ATTEMPT TO OPERATE YOUR LATHE UNTIL IT IS COMPLETELY ASSEMBLED AND INSTALLED ACCORDING TO THE INSTRUCTIONS . . . AND UNTIL YOU HAVE READ AND UNDERSTAND THE FOLLOWING:

	PAGE
1. General Safety Instructions for Power Tools . . .	2
2. Getting to Know Your Lathe	13
3. Basic Lathe Operation	15
4. Maintenance	19

5. The Lathe and motor must be bolted down to a stand or workbench for stability.

6. Protection: Eyes, Hands, Face, Ears, Body

- a. Wear safety goggles that comply with ANS Z87.1-1968, and a face shield if operation is dusty. Wear ear plugs or muffs during extended periods of operation.
- b. When turning between centers or on the face plate, always rough-out "out of round" workpieces at slow speed. Running the Lathe too fast, so that it vibrates, could cause the workpiece to be thrown from the Lathe . . . or the turning tool to be jerked from your hands.
- c. Always revolve the workpiece by hand before turning on the motor. If the workpiece strikes the tool rest, it could split and be thrown out of the Lathe.
- d. Do not allow the turning tool to "bite" into the workpiece which could result in splitting of the workpiece or the workpiece being thrown from the Lathe. Always position the tool rest above the centerline of the Lathe for spindle turning. Do not apply the turning tool to the workpiece below the level of the tool rest.
- e. Do not run the Lathe in the wrong direction. This could cause the turning tool to be thrown from your hands. The Lathe must run in a direction so that the workpiece turns toward you.
- f. Before attaching a workpiece to the face plate always "rough it out" to as "true round" as possible. This will minimize vibration while turning.

Always fasten the workpiece securely to the face plate.

Failure to perform these set-up operations could cause the workpiece to be thrown from the Lathe.

- g. Avoid awkward hand positions, where a sudden slip could cause a hand to move into the workpiece.

- h. Remove all loose knots before installing workpiece between centers or on the face plate.

- i. Never leave the Lathe work area with the power on before the Lathe has come to a complete stop, or without removing and storing the switch key.

- j. Never operate the Lathe with protective cover on the unused shaft end of the motor removed.

7. Hang your turning tools on the wall toward the tailstock end of the Lathe. Do not lay them on the bench so that you must reach over the revolving workpiece to select them.

8. Keep firm hold and control of the turning tool at all times. Special caution must be exercised when knots or voids are exposed to the turning tool.

9. Note the following DANGER label which appears on the front of the belt guard.

DANGER
FOR YOUR OWN SAFETY:

- 1. READ AND UNDERSTAND THE OWNER'S MANUAL BEFORE OPERATING THIS MACHINE.
- 2. WEAR FACE SHIELD AND/OR SAFETY GOGGLES.
- 3. DO NOT WEAR GLOVES, NECK TIES OR LOOSE CLOTHING.
- 4. BE POSITIVE ALL LOCKS ARE TIGHT BEFORE OPERATING MACHINE.
- 5. TURN WORKPIECE BY HAND BEFORE APPLYING POWER TO DETERMINE IT CLEARS THE TOOL REST OR OTHER MACHINE PARTS.
- 6. ROUGH OUT FACEPLATE WORKPIECES BEFORE INSTALLING ON FACEPLATE TO AVOID EXCESSIVE VIBRATION AND POSSIBLE INJURY.
- 7. ALWAYS USE LOWEST SPEED WHEN STARTING A NEW WORKPIECE, FACEPLATE OR BETWEEN CENTERS, TO MINIMIZE POTENTIAL INJURY.

10. Think Safety

11. Complete hand sanding of between-centers or face plate mounted workpieces BEFORE removing from the lathe. NEVER attempt to remount a face plate turning to the face plate for any reason. NEVER attempt to remount a between-centers turning if the original centers in the turning have been altered or removed. Be Positive the lathe is set at the lowest speed if remounting a between-centers turning with non-altered original centers.

12. Use extra caution in mounting a between-centers turning to the faceplate or a faceplate turning to between-centers for subsequent operations. BE POSITIVE the lathe is set at the lowest speed before turning ON.

13. NEVER attempt to turn on the faceplate or between-centers a workpiece which contains any cracks or loose knots.

additional safety instructions for wood turning lathes

WARNING: DO NOT ALLOW FAMILIARITY (GAINED FROM FREQUENT USE OF YOUR MACHINE) TO BECOME COMMONPLACE. ALWAYS REMEMBER THAT A CARELESS FRACTION OF A SECOND IS SUFFICIENT TO INFLICT SEVER INJURY.

WARNING: THE FOUR STEP LATHE AND MOTOR PULLEYS FURNISHED ARE DESIGNED TO RUN THE LATHE AT THE CORRECT SPEEDS WHEN USED WITH A 1725 R.P.M. MOTOR. DO NOT USE A 3450 R.P.M. MOTOR TO INCREASE THE SPEED BECAUSE IT COULD BE DANGEROUS.



The operation of any power tool can result in foreign objects being thrown into the eyes, which can result in severe eye damage. Always wear safety goggles complying with ANSI Z87.1 (shown on Package) before commencing power tool operation. Safety Goggles are available at Sears retail or catalog stores.

motor specifications and electrical requirements

This Lathe is designed to use a 1725 RPM motor only. Do not use any motor that runs faster than 1725 RPM. It is wired for operation on 110-120 volts, 60 Hz., alternating current. **IT MUST NOT BE CONVERTED TO OPERATE ON 230 VOLTS. EVEN THOUGH SOME OF THE RECOMMENDED MOTORS ARE DUAL VOLTAGE.**

THESE MOTORS HAVE BEEN FOUND TO BE ACCEPTABLE FOR USE ON THIS TOOL.

HP	RPM	VOLTS	CATALOG NO.
1/3	1725	110-120	1250
1/2	1725	110-120	1254
1/2	1725	110-120	1255

CAUTION: Do not use blower or washing machine motors or any motor with an automatic reset overload protector as their use may be hazardous.

CONNECTING TO POWER SOURCE OUTLET

This machine must be grounded while in use to protect the operator from electric shock.

Plug power cord into a 110-120V properly grounded type outlet protected by a 15-amp. time delay or Circuit-Saver fuse or circuit breaker.

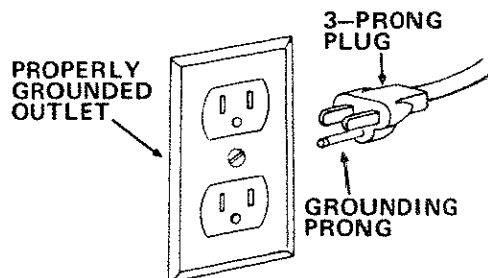
If you are not sure that your outlet is properly grounded, have it checked by a qualified electrician.

WARNING: DO NOT PERMIT FINGERS TO TOUCH THE TERMINALS OF PLUGS WHEN INSTALLING OR REMOVING THE PLUG TO OR FROM THE OUTLET.

WARNING: IF NOT PROPERLY GROUNDED THIS POWER TOOL CAN INCUR THE POTENTIAL HAZARD OF ELECTRICAL SHOCK. PARTICULARLY WHEN USED IN DAMP LOCATIONS IN PROXIMITY TO PLUMBING. IF AN ELECTRICAL SHOCK OCCURS THERE IS THE POTENTIAL OF A SECONDARY HAZARD SUCH AS YOUR HANDS CONTACTING THE CUTTING TOOL.

If power cord is worn or cut, or damaged in any way, have it replaced immediately.

If your unit is for use on less than 150 volts it has a plug that looks like below.



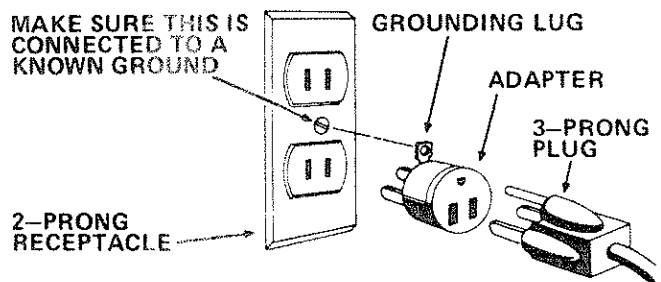
This power tool is equipped with a 3-conductor cord and grounding type plug which has a grounding prong, approved by Underwriters' Laboratories and the Canadian Standards Association. The ground conductor has a green jacket and is attached to the tool housing at one end and to the ground prong in the attachment plug at the other end.

This plug requires a mating 3-conductor grounded type outlet as shown.

If the outlet you are planning to use for this power tool is of the two prong type **DO NOT REMOVE OR ALTER THE GROUNDING PRONG IN ANY MANNER.** Use an adapter as shown and always connect the grounding lug to known ground.

It is recommended that you have a qualified electrician replace the TWO prong outlet with a properly grounded THREE prong outlet.

An adapter as shown below is available for connecting plugs to 2-prong receptacles. The green grounding lug extending from the adapter must be connected to a permanent ground such as to a properly grounded outlet box.



NOTE: The adapter illustrated is for use only if you already have a properly grounded 2-prong receptacle. Adapter is not allowed in Canada by the Canadian Electrical Code.

The use of any extension cord will cause some loss of power. To keep this to a minimum and to prevent overheating and motor burn-out, use the table below to determine the minimum wire size (A.W.G.) extension cord. Use only 3 wire extension cords which have 3-prong grounding type plugs and 3-pole receptacles which accept the tool's plug.

Extension Cord Length	Wire Size A.W.G.
Up to 100 Ft.	16
100 - 200 Ft.	14
200 - 400 Ft.	10

CHECK MOTOR ROTATION

WARNING: FOR YOUR OWN SAFETY, MAKE SURE PLUG IS NOT CONNECTED TO POWER SOURCE OUTLET. WHEN CHANGING MOTOR ROTATION.

The motor must rotate **CLOCKWISE** when viewed from the shaft end to which you will mount the pulley. (See page 12). If it does not, change the direction according to the instructions furnished with the motor.

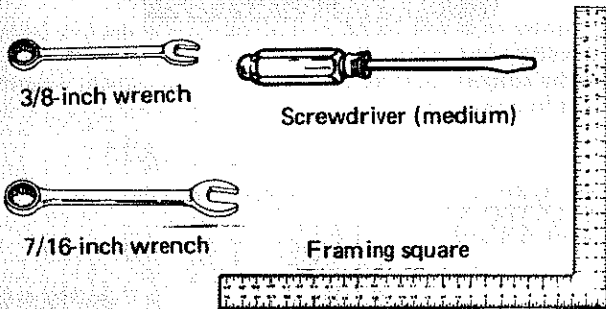
unpacking and checking contents

CONTENTS

UNPACKING AND CHECKING CONTENTS	6
ASSEMBLY	7
Mounting Lathe and motor on recommended	
Craftsman bench	7
Off and on switch	10
Check motor rotation	12
GETTING TO KNOW YOUR WOOD LATHE	13
Belt guard lock	13
Index pin	13
Spindle lock hole	13
Tool rest lock	13
Tool rest base lock	13
Handwheel	13
Tailstock ram lock	13

Tailstock lock	13
On - off switch	13
Spur center and cup center (aligning centers)	14
Tailstock	14
Speed chart	15
BASIC LATHE OPERATION	15
Changing speeds	15
Spindle turning	16
Indexing	18
MAINTENANCE	19
LUBRICATION	19
RECOMMENDED ACCESSORIES	21
REPAIR PARTS	22

TOOLS NEEDED



Your lathe is shipped complete in one carton (without motor, or bench). The V-Belt and motor pulley are furnished.

Separate all parts from packing materials and check each one with the "Table of Loose Parts" to make certain all items are accounted for, before discarding any packing material.

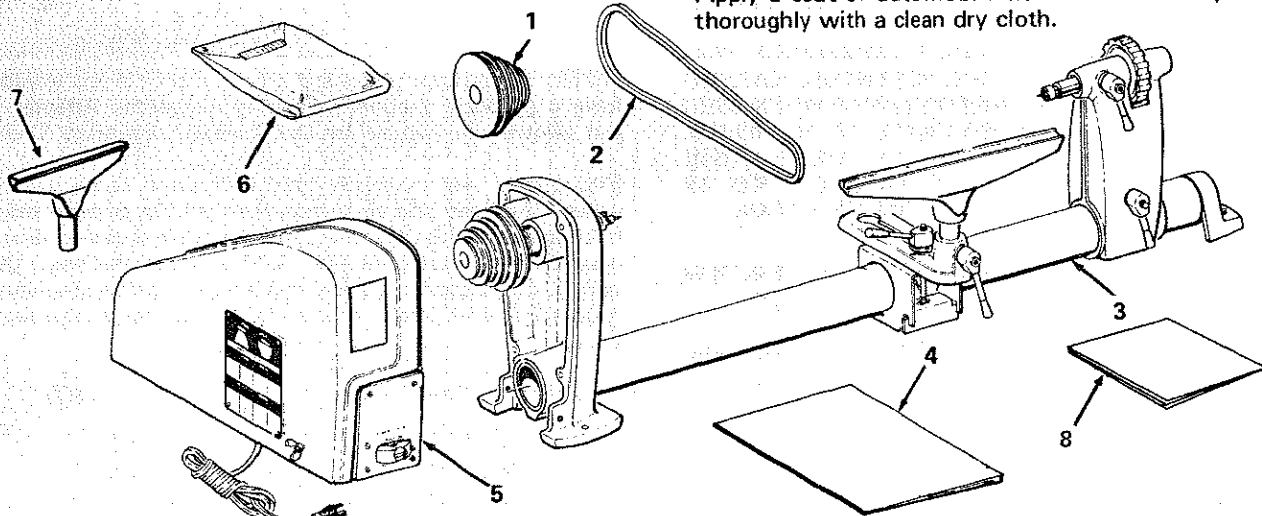
If any parts are missing, do not attempt to assemble the lathe plug in the power cord or turn the switch on until the missing parts are obtained and are installed correctly.

Using a 7/16" wrench, remove the wood blocks attached to the Lathe. Save the nuts, bolts and washers, you will need for attaching the Lathe to the bench.

Remove the protective oil that is applied to the bed. Use any ordinary household type grease and spot remover.

CAUTION: Never use gasoline, naphtha or similar highly volatile solvents.

Apply a coat of automobile wax to the bed. Wipe all parts thoroughly with a clean dry cloth.



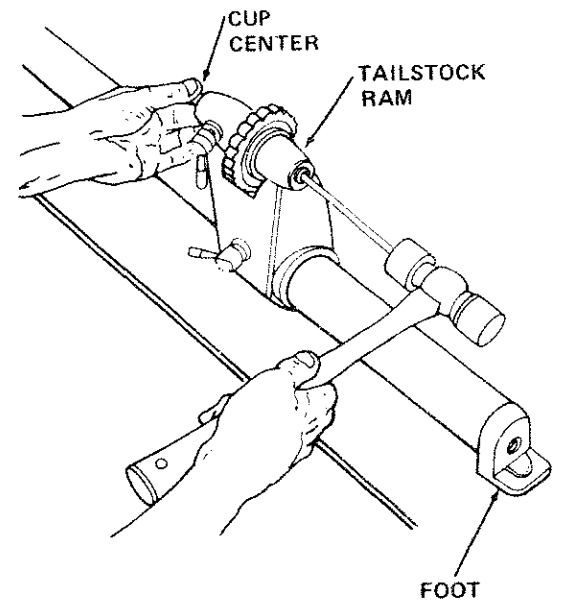
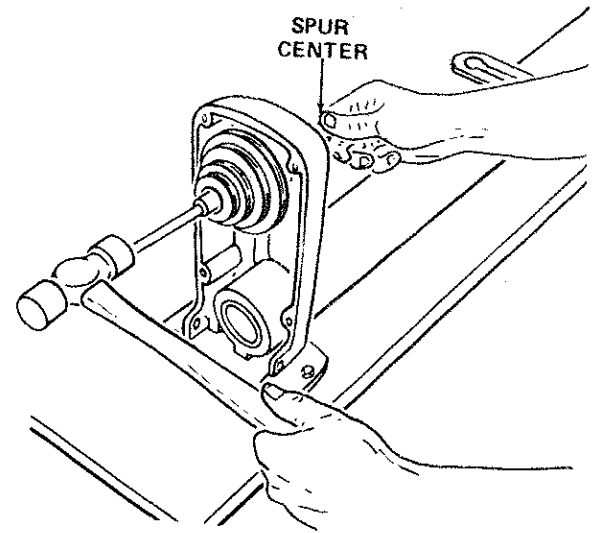
Key No.	Table of Loose Parts	Qty.
1	Motor Pulley	1
2	Belt, "Vee" 1/2 x 37.	1
3	Wood Turning Lathe	1
4	Owner's Manual	1
5	Belt Guard Assembly	1
6	Plastic Bag, Part No. 70018 - Containing	1
	Wrench, Hex 5/32	1
	Wrench, Hex 3/16	1
	Screw, Type 23 Pan 10-32 x 3/8	4

Key No.	Table of Loose Parts	Qty.
	Lockwasher Ext. Tooth No. 10.	4
	Key, Switch	2
	Clamp	2
	Bolt Rd Hd. Carriage 1/4-20 x 1-3/4	4
	Washer 17/64 I.D.	4
	Nut Hex 1/4-20	4
	Screw Pan Hd. Ty. A No. 8 x 1/2	4
7	6" Tool Rest	1
8	Booklet How to Operate Your Craftsman Lathe.1	1

assembly

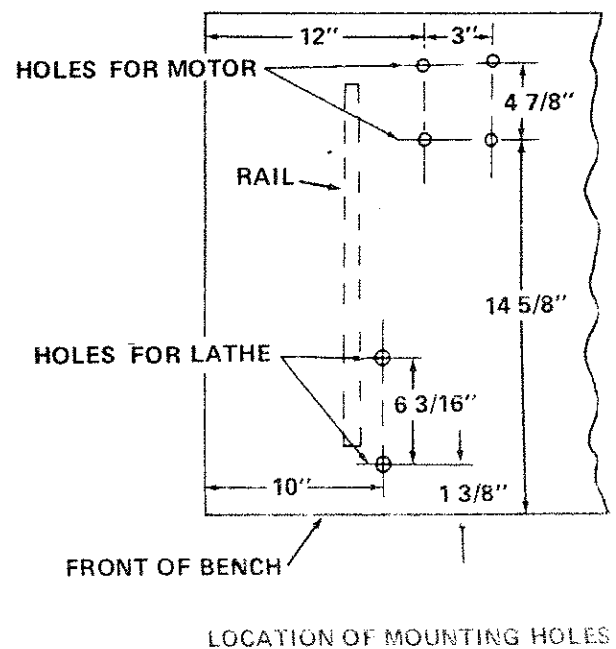
CAUTION: The spur center and cup center contain very sharp points. To prevent the possibility of injuring yourself while setting up the Lathe, be sure to remove them before proceeding.

Insert a 1/4" wood dowel or brass rod through the hole in the spindle and tailstock ram. Hold the center with one hand and tap the dowel or rod with a hammer.



MOUNTING LATHE AND MOTOR ON RECOMMENDED CRAFTSMAN BENCH NOT SUPPLIED IN CANADA

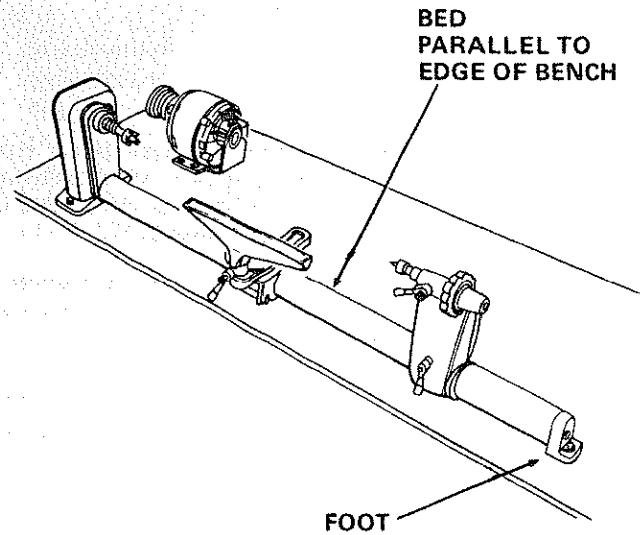
1. Drill six 3/8" holes in your bench. Make sure the top of your bench is centered on the legs so that you don't drill into the short rail underneath.



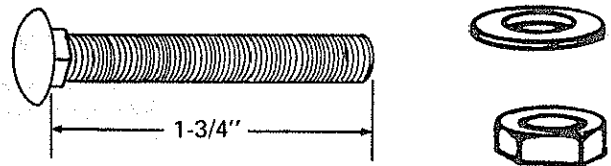
assembly

NOTE: To attach your Lathe to the bench, use the bolts, nuts and washer you removed when unpacking.

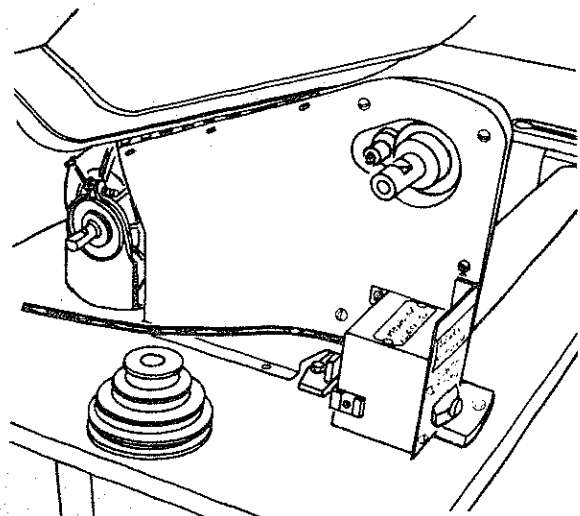
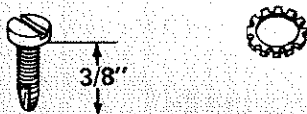
2. Position Lathe on bench and insert two bolts through holes in headstock but do not screw on the nuts.
3. Position the Lathe so that the bed is parallel to the front of the bench. Check the foot. If the bottom of the foot is not laying flat on the surface of the bench, loosen the screw in the foot, tap the screw to loosen the locknut inside. Turn the foot and tighten the screw.
4. Mark the location on the bench of the hole in foot.
5. Remove the Lathe and drill a $3/8''$ hole to attach the foot.
6. Position the Lathe and insert the bolts from the top. Place a flat washer, a lockwasher and a nut on the bolts and tighten the nuts.
7. Position the motor over the holes. **NOTE:** When using a Craftsman double shaft motor, make sure the $5/8''$ dia. shaft is to the left when facing the front of the Lathe.



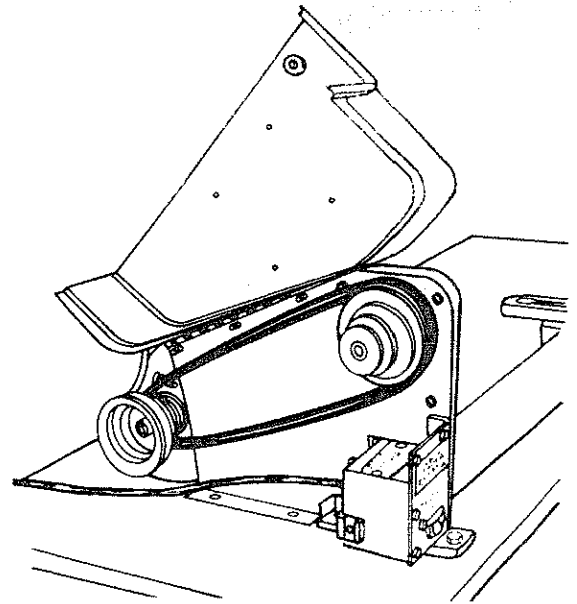
8. Find four $1/4'' - 20 \times 1-3/4''$ carriage bolts, flat washers and nuts from among the loose parts.
9. Insert the bolts from the top. Place a flat washer and a nut on the bolts but do not tighten the nuts at this time.



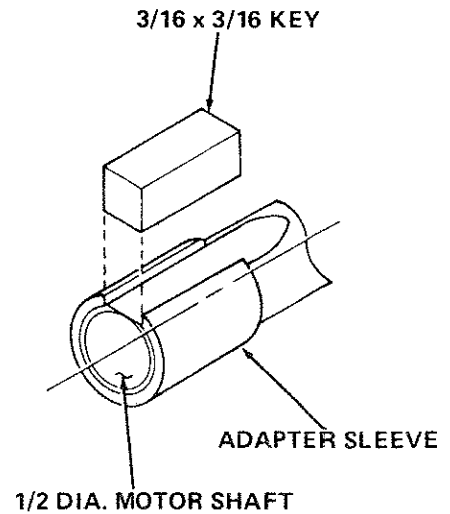
10. Remove the pulley using the $5/32''$ setscrew wrench.
11. Find four pan head thread cutting screws $3/8''$ long and four lockwashers from among the loose parts. Attach the belt guard with these screws and lockwashers.



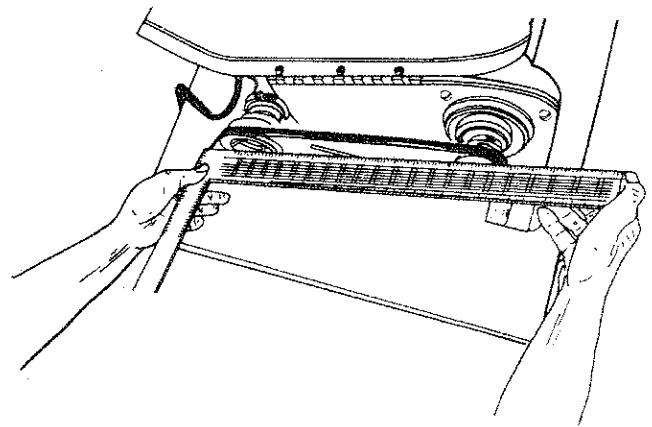
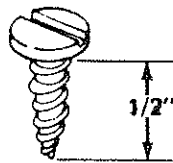
12. Replace the Lathe pulley. Position it so that the end of the pulley is flush with the end of the lathe spindle.
13. Place the motor pulley on the motor shaft so that the small diameter is approximately $1/16''$ away from motor.
14. **NOTE:** When installing the pulley on a $5/8''$ diameter motor shaft, make sure that the $3/16''$ square key furnished with your motor is in place. Then tighten the setscrew with a $5/32''$ setscrew wrench.



15. When installing the pulley on a $1/2''$ diameter motor shaft, make sure that the adapter sleeve and $3/16''$ square key furnished with your motor are in place. Then tighten the setscrew with a $5/32''$ setscrew wrench.
16. Place the belt on the pulleys and push the motor toward the back until all the slack is removed from the belt. Tighten only two of the motor mounting bolts using a $7/16''$ wrench.



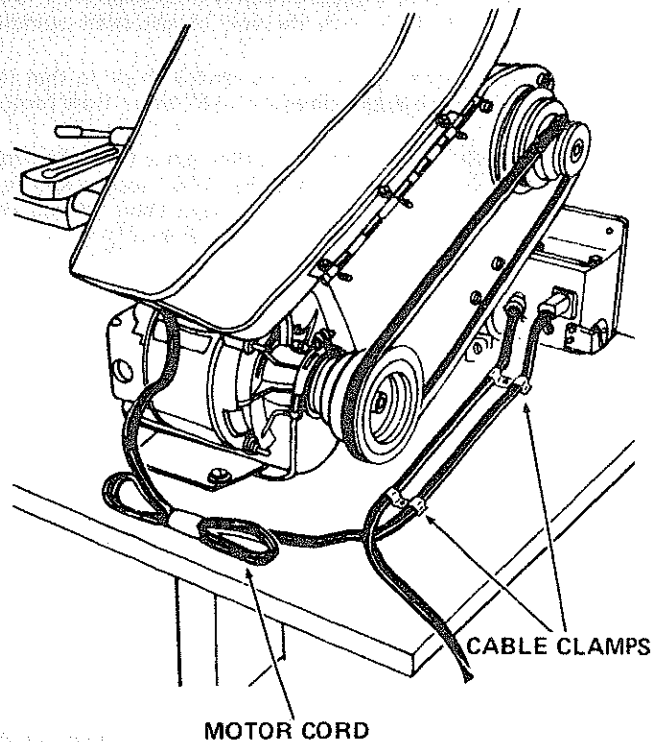
17. Place a straightedge such as a piece of wood, metal or framing square across the pulleys to see if they are both in line. If they are, tighten the other two motor mounting bolts. If they are not in line, loosen the two motor bolts and move the motor sideways . . . tighten the bolts.
18. Find four pan head wood screws $1/2''$ long from among the loose parts.



Attach the belt guard plate to the bench with the two screws. Make sure the plate is PARALLEL to the belt.

assembly

19. Plug motor cord into outlet on back of switch box. Do not plug motor cord into power source outlet.
20. Position the two cords as shown and clamp them to the table with two cable clamps. Attach the clamps with 1/2" wood screws.
21. Coil up the slack in the cord and tie it with a piece of tape.



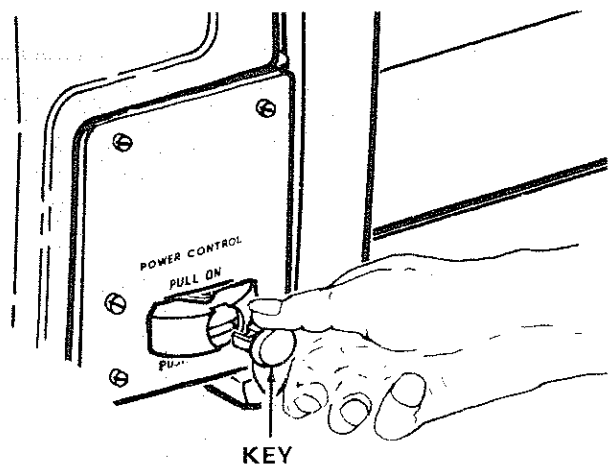
WARNING: DON'T CONNECT POWER CORD TO ELECTRICAL OUTLET IN YOUR SHOP UNTIL YOU ARE READY TO CHECK MOTOR ROTATION.

ON-OFF SWITCH

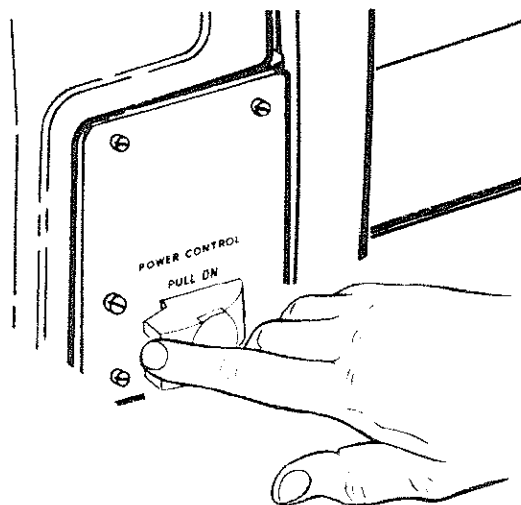
The On-Off Switch has a locking feature. THIS FEATURE IS INTENDED TO PREVENT UNAUTHORIZED AND POSSIBLE HAZARDOUS USE BY CHILDREN AND OTHERS.

1. Insert key into switch.

NOTE: Key is made of yellow plastic.



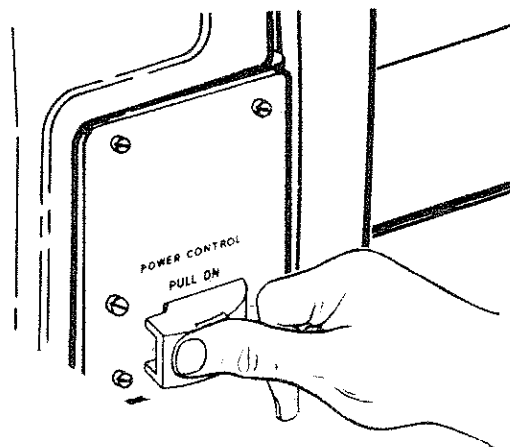
2. To turn Lathe ON . . . INSERT finger under switch lever and pull END of switch out.



3. To turn Lathe OFF . . . PUSH lever in.

Never leave the Lathe unattended until it has come to a complete stop and you have removed the switch key.

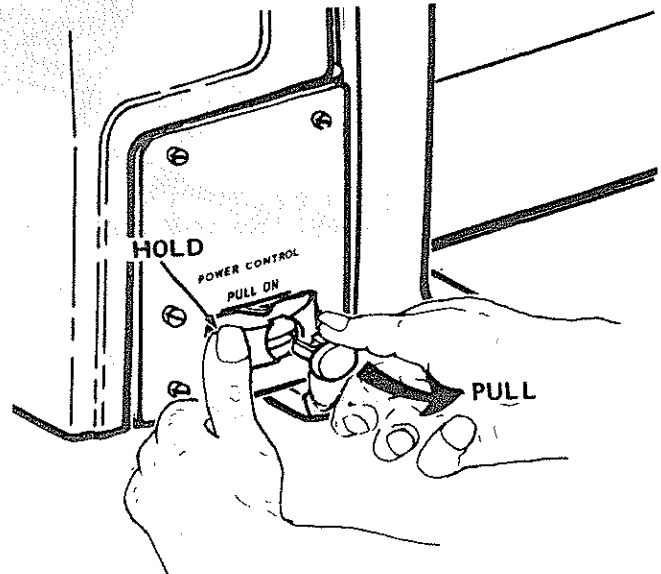
Do not cycle the motor switch on and off rapidly, as this may cause the faceplate or sanding disc to loosen. In the event this should ever occur, stand clear of the face plate or sanding disc until it has come to a complete stop . . . retighten it.



assembly

4. To lock switch in OFF position . . . HOLD switch IN with one hand, REMOVE key with other hand.

WARNING: FOR YOUR OWN SAFETY, ALWAYS LOCK THE SWITCH "OFF". WHEN LATHE IS NOT IN USE . . . REMOVE KEY AND KEEP IT IN A SAFE PLACE . . . ALSO . . . IN THE EVENT OF A POWER FAILURE (ALL OF YOUR LIGHTS GO OUT) TURN SWITCH OFF . . . LOCK IT AND REMOVE THE KEY. THIS WILL PREVENT THE LATHE FROM STARTING UP AGAIN WHEN THE POWER COMES BACK ON.



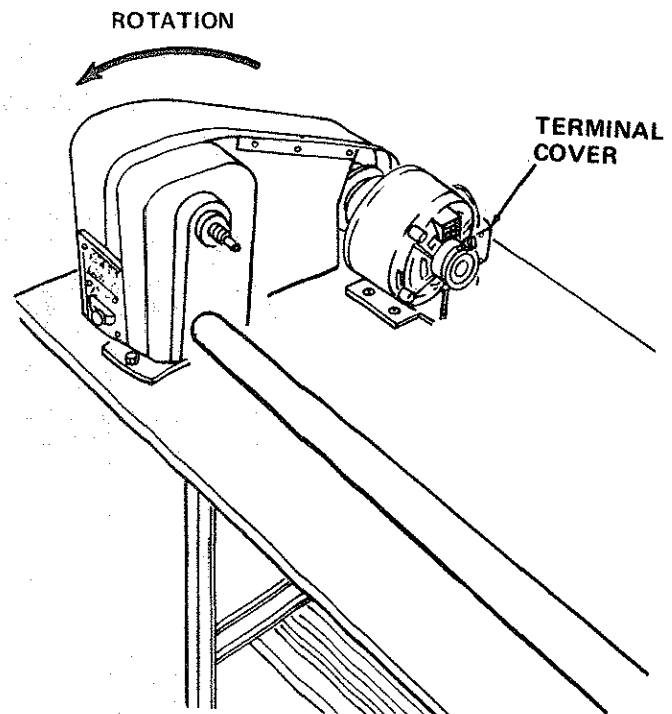
CHECK MOTOR ROTATION

The Lathe must rotate counterclockwise when viewed from the spindle end.

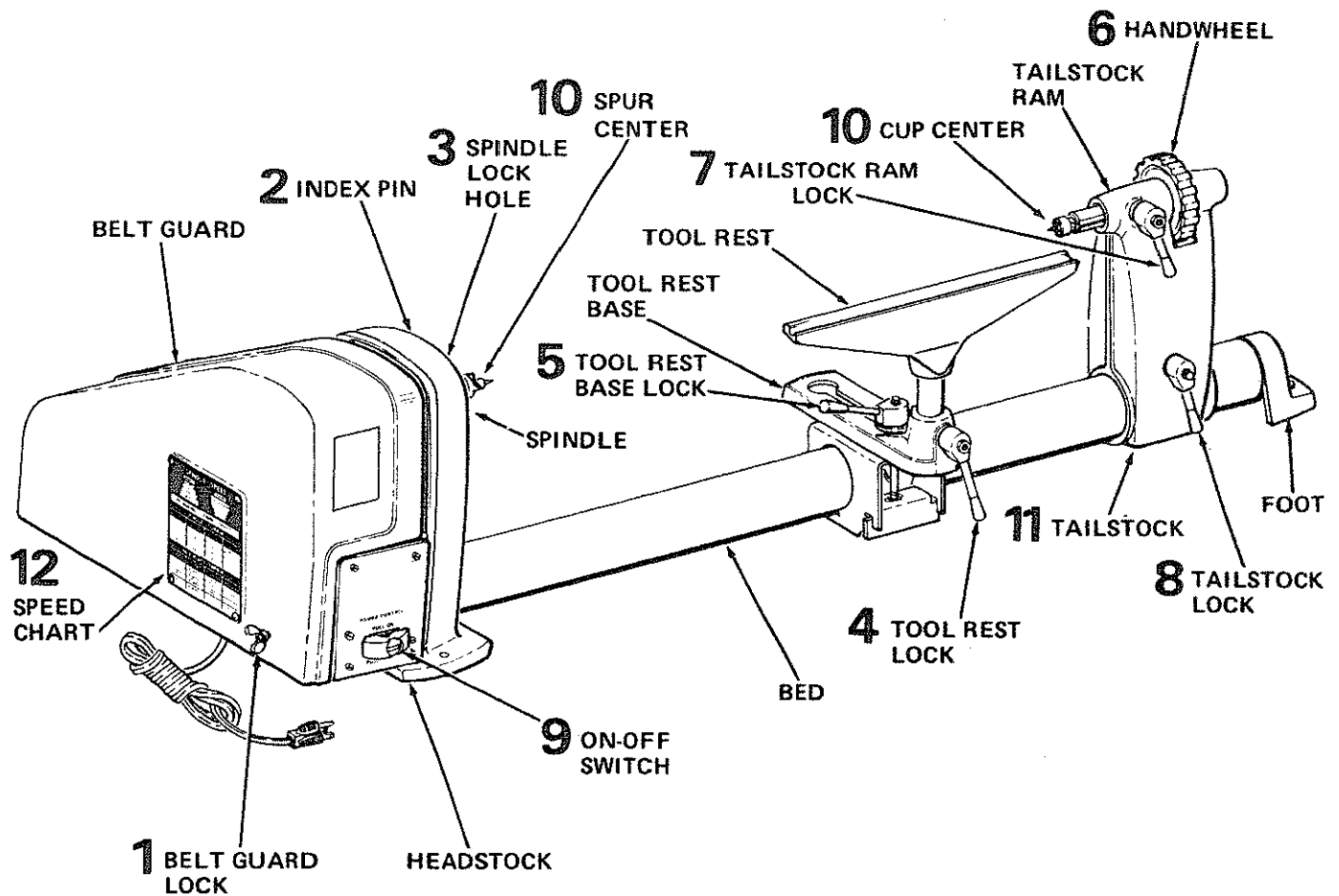
NOTE: Make sure the spur center is removed from the spindle.

1. Plug the Lathe power cord into a properly grounded outlet (See page 4).
2. Stand clear of the Lathe spindle and turn the switch ON. Notice the rotation of the spindle. If it is NOT turning COUNTERCLOCKWISE . . . Remove the Lathe power cord plug from the outlet and change the rotation of the motor according to the directions furnished with the motor.

WARNING: FOR YOUR OWN SAFETY, MAKE SURE PLUG IS NOT CONNECTED TO POWER SOURCE OUTLET WHEN CHANGING MOTOR ROTATION.



getting to know your wood lathe



1. **BELT GUARD LOCK** . . . Locks the hinged part of the guard during operation.
2. **INDEX PIN** . . . Engages with the spindle pulley to determine equal spacing for cuts for fluting or reeding, or for dividing face plate work. **DO NOT USE FOR REMOVING FACE PLATES.**
3. **SPINDLE LOCK HOLE** . . . For removing face plates or sanding discs. Insert a setscrew wrench, large nail or bolt in the hole to hold the spindle while unscrewing face plate or sanding disc.

4. **TOOL REST LOCK** . . . Clamp the tool rest to the tool rest base.
5. **TOOL REST BASE LOCK** . . . Clamps the tool rest base to the bed.
6. **HANDWHEEL** . . . Adjusts the tailstock ram.
7. **TAILSTOCK RAM LOCK** . . . Clamps the ram in the tailstock.
8. **TAILSTOCK LOCK** . . . Clamps the tailstock to the bed.
9. **ON-OFF SWITCH** . . . See page 10.

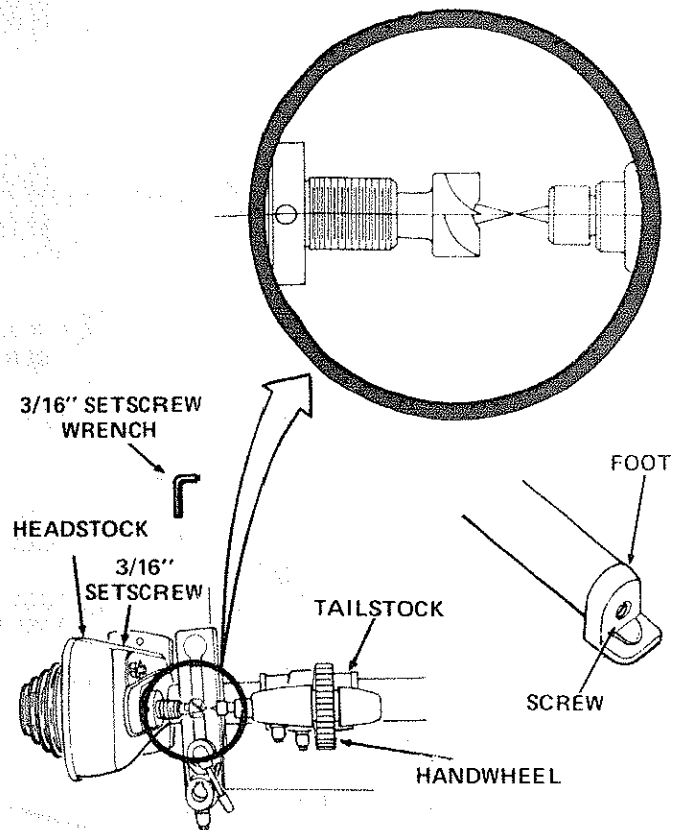
getting to know your wood lathe

10. SPUR CENTER AND CUP CENTER . . . are used for spindle turning and should always be in alignment.

ALIGNING CENTERS

If the centers are not in line as shown, make the following adjustments.

1. Make sure the tailstock and ram are locked when checking for alignment.
2. Loosen the screw in the foot . . . TAP the screw to loosen the locknut inside.
3. Using a 3/16" setscrew wrench, loosen the setscrew on the back of the headstock. The screw is located about 1-3/4" from the bottom.
4. Swing the tailstock so that the two points are in line . . . tighten the setscrew in the headstock and the tailstock.

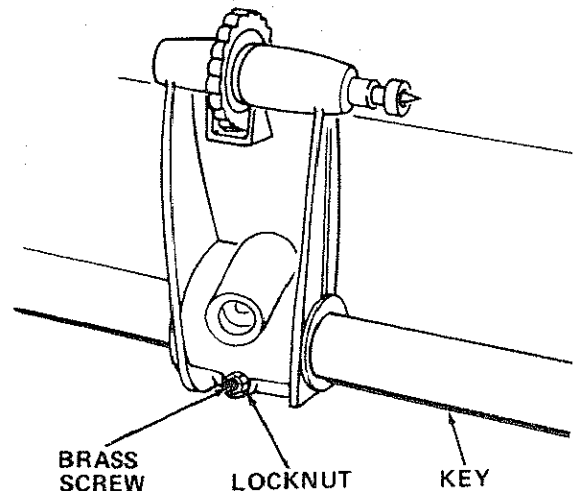


11. TAILSTOCK . . . supports the workpiece for spindle turning.

The tailstock contains a brass screw which bears against the "key" on the underside of the bed. This screw prevents excessive "looseness" (rocking back and forth) of the tailstock.

1. Loosen the locknut using a 7/16" wrench.
2. Tighten the screw moderately against the key, then loosen it about 1/4 turn.

Slide the tailstock along the bed. If it does not stick or bind in any one spot, tighten the nut. If it binds or sticks, loosen the screw only enough so that the tailstock slides smoothly along the bed.



12. **SPEED CHART.** Indicates general recommended speeds for various sizes of workpieces.

SPINDLE SPEED			
MOTOR		SPINDLE	
		3450	
		2250	
		1350	
		875	
RECOMMENDED GENERAL SPEEDS			
SPINDLE TURNING			
SQUARE	LENGTH	ROUGHING	FINISHING
1"	9"	1350	3450
2"	18	875	2250
3"	27	875	2250
4"	36	875	2250
FACE PLATE TURNING			
DIA	THICKNESS	ROUGHING	FINISHING
12"	4 MAX	875	1350
10"	4 MAX	1350	2250
8"	4 MAX	1350	2250
6"	4 MAX	2250	3450

basic lathe operations

CHANGING SPEEDS

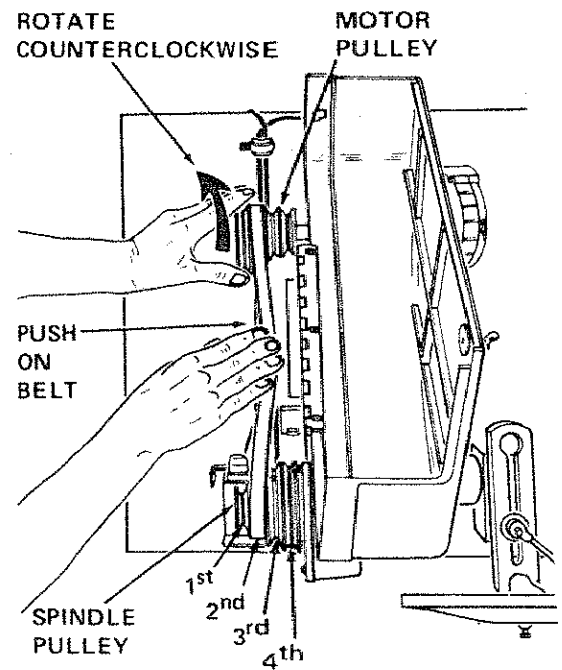
The belt is shown positioned on the second steps from the outside end of the pulleys. This causes the lathe to run 2250 R.P.M.

Suppose you wish to run the lathe slower - say, 1350 R.P.M. You must shift the belt inward to the third steps.

1. Make sure the power cord is removed from the outlet in your shop.
2. With the belt guard raised, rotate the motor pulley COUNTERCLOCKWISE with your left hand while pushing on the belt with your right hand.
3. Continue to rotate the pulley while pushing on the belt until it "climbs" down into the third step of the motor pulley.
4. Now rotate the spindle pulley CLOCKWISE with your right hand while pushing on the belt with your left hand. The belt will climb up into the third step of the spindle pulley.

To make the lathe go faster, the belt must be shifted outward.

1. Rotate the spindle pulley CLOCKWISE with your right hand. Pull on the belt while rotating the pulley until it climbs down into the next smaller step.
2. Now rotate the motor pulley COUNTERCLOCKWISE with your left hand while pulling on the belt with your right hand. The belt will climb up into the next larger step.



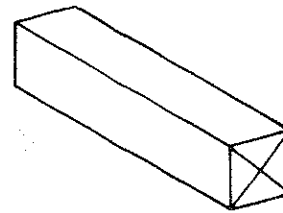
basic lathe operations

SPINDLE TURNING.

If you have never done any amount of wood turning, we suggest that you practice using the various wood turning tools. Start with a small spindle turning.

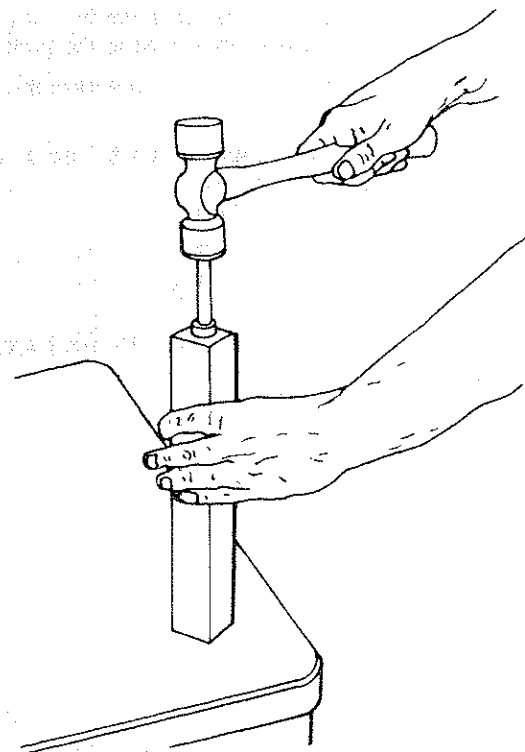
Be sure to study the "Handbook" which you received with your lathe. It explains and illustrates the correct use of the turning tools, the positioning of the tool rest and other information to help you gain experience.

1. Select a piece of wood 2" x 2" x 12".
2. Draw diagonal lines on each end to locate the centers.
3. On one end, make a saw cut approximately 1/16" deep on each diagonal line. This is for the spur center.
4. The other end is for the cup center. Place the point of the cup center on the wood where the diagonal lines cross



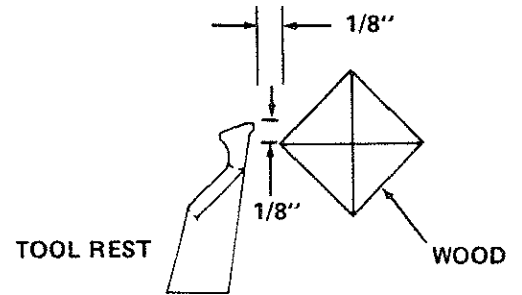
DIAGONAL LINES
ON BOTH ENDS

5. Drive the cup center into the wood. Use a wooden mallet or a plastic hammer. If you don't have one, use a steel hammer, but put a piece of wood on the end of the cup center to protect it.
6. Remove the cup center and drive the spur center into the other end of the wood. Make sure the spurs are in the saw cuts. Remove the spur center.
7. Make sure the centers and the hole in the spindle and the tailstock ram are clean. Insert the centers and tap them in lightly with a piece of wood. Do not drive them in.
8. Put a drop of oil on the wood where you drove in the cup center. This will lubricate the wood while it is turning.
9. Place the wood between the centers and lock the tailstock.
10. Move the cup center into the wood by turning the hand wheel. Make sure that the cup center and spur center are "seated" into the wood the same as they were when you drove them in. Rotate the wood by hand while turning the hand wheel.



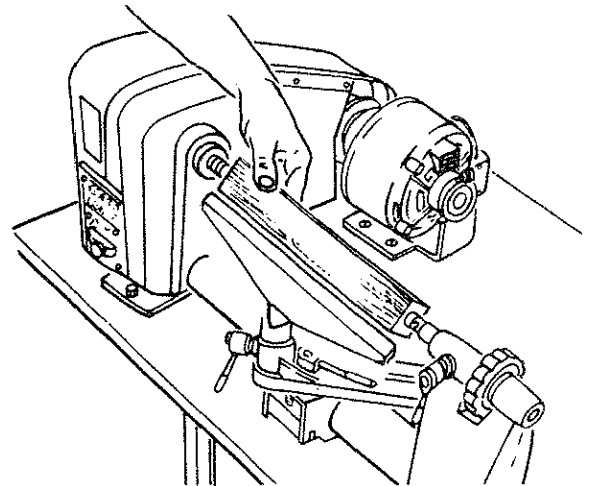
11. Adjust the tool rest approximately 1/8" away from the corners of the wood and 1/8" above the center line. Note the angled position of the tool rest base.

Lock the tool rest base and the tool rest.

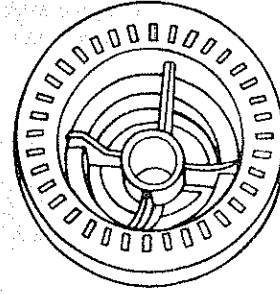


Look at the speed chart. Notice that a 2" square turning up to 18" long should run at 875 R.P.M. for "roughing". Move the V-belt on the pulleys to the slowest speed.

Rotate the wood by hand to make sure that the corners do not strike the tool rest.



basic lathe operations

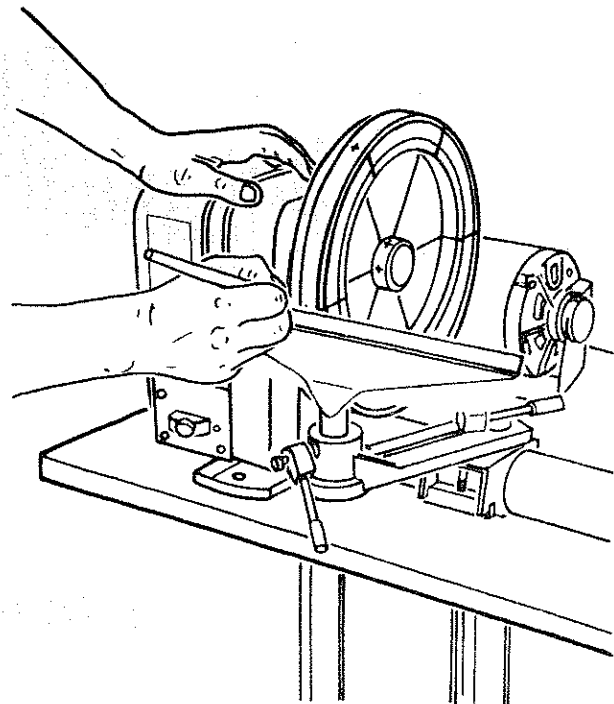
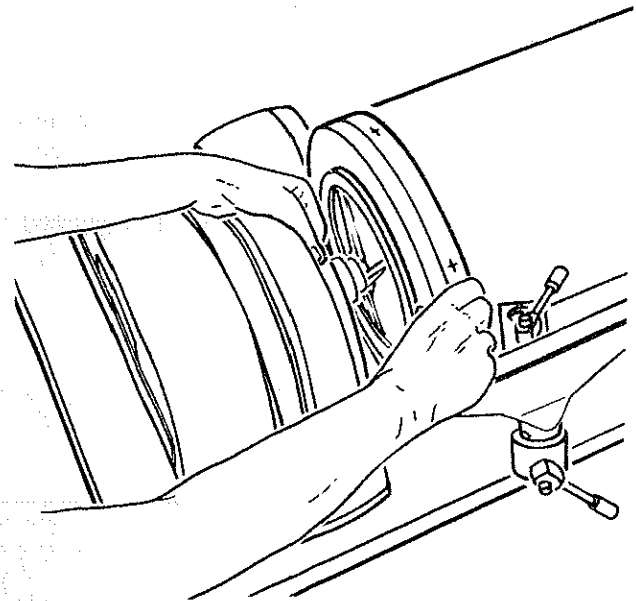


INDEXING

The spindle pulley contains 36 equally spaced holes. The index pin engages with these holes to keep the spindle from turning while you put a mark on the workpiece.

For example: To locate the position of six spokes in a wheel:

1. Pull the index pin outward and turn it so that the small cross pin slips into the slot. This will allow the index pin to engage in one of the holes in the pulley and prevent the spindle from turning.
2. Adjust the tool rest approximately at the centerline and make a mark.
3. Pull out the index pin and slowly rotate the workpiece until the pin slides into the next hole in the pulley.
4. Do this six times and put the next mark on the workpiece. The two marks will be spaced 60° apart.
5. Spindle turnings can be divided in the same manner.



maintenance

© 1980 The Lathe Co.

WARNING: FOR YOUR OWN SAFETY, TURN SWITCH "OFF" AND REMOVE PLUG FROM POWER SOURCE OUTLET BEFORE MAINTAINING OR LUBRICATING YOUR LATHE.

Frequently blow out any dust that may accumulate inside the motor.

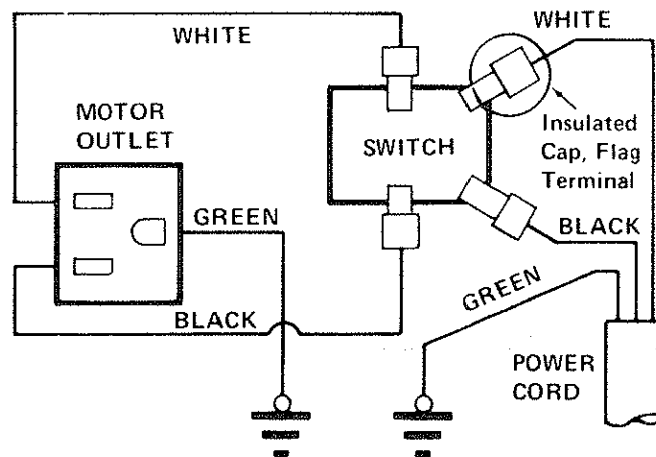
A coat of automobile-type wax applied to the bed will help

to keep the surfaces clean and allow the tool rest and tailstock to move more freely.

If the power cord is worn or cut, or damaged in any way, have it replaced immediately.

For motor maintenance, follow instructions furnished with motor.

WIRING DIAGRAM



Lubrication

All of the BALL BEARINGS are packed with grease at the factory. They require no further lubrication.

Periodically lubricate the ram in the tailstock with No. 20 or No. 30 engine oil.

For motor lubrication, follow instructions furnished with the motor.

trouble shooting

TROUBLE SHOOTING CHART

TROUBLE	PROBABLE CAUSE	REMEDY
Motor will not run.	<ol style="list-style-type: none"> 1. Defective On-Off switch. Defective switch cord. Defective switch box receptacle. 2. Motor protector open, (only if your motor is equipped with an overload protector). Other cause 	<ol style="list-style-type: none"> 1. Replace defective parts before using Lathe again. 2. Consult Sears Service. Any attempt to repair this motor may create a HAZARD unless repair is done by a qualified service technician. Repair service is available at your nearest Sears Store.
Lathe slows down when turning	<ol style="list-style-type: none"> 1. V-belt too loose 	<ol style="list-style-type: none"> 1. Adjust belt tension, see Assembly Section.
Tailstock rocks back and forth excessively.	<ol style="list-style-type: none"> 1. Brass adjusting screw is too loose. 	<ol style="list-style-type: none"> 1. Adjust screw. See Section, "Getting To Know Your Lathe".
Headstock loose on bed.	<ol style="list-style-type: none"> 1. Setscrew not tight. 	<ol style="list-style-type: none"> 1. Tighten setscrew. See Section, "Getting To Know Your Lathe".
Wood burns at tailstock end.	<ol style="list-style-type: none"> 1. Cup center too tight or not lubricated. 	<ol style="list-style-type: none"> 1. Back off tailstock ram and lubricate cup center. See Basic Lathe Operation Section, "Spindle Turning."

recommended accessories

RECOMMENDED ACCESSORIES

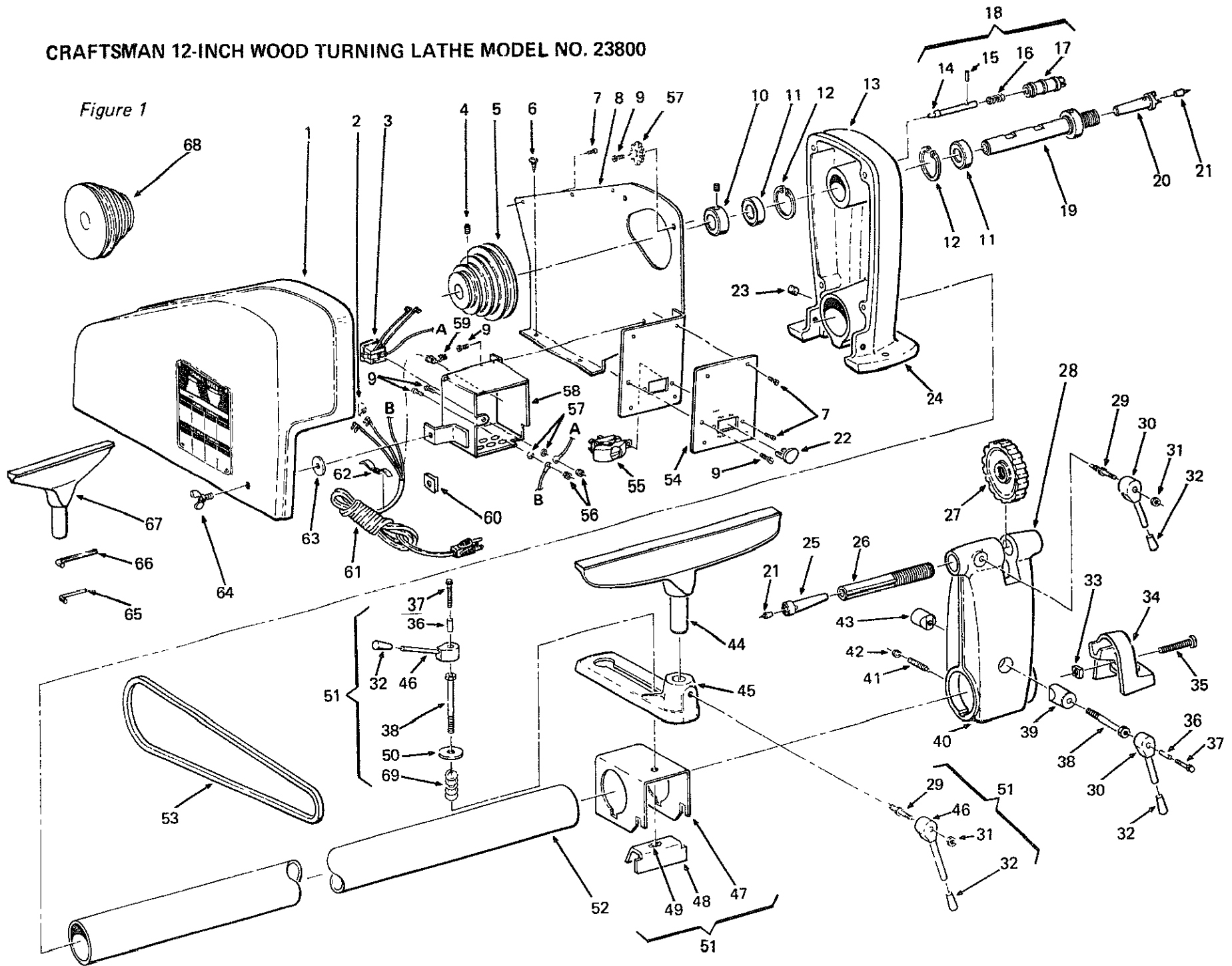
IN CANADA, SEE LOCAL SIMPSONS-SEARS
STORE OR CATALOG FOR ACCESSORY
SELECTION AND NUMBERS.

ITEM	CAT. NO.
Work Bench	9-10266, 9-10278, 9-10271
Motor Pulley (Four Step) 1/2" Bore	9-27921
Motor Pulley (Four Step) 5/8" Bore	9-27922
Drill Chuck 1/2" Capacity with No. 1 M.T. Shank	9-22342
Work Arbor 1/2" Dia. with No. 1 M.T. Shank	9-21532
Screw Center with No. 1 M.T. Shank	9-21162
Ball Bearing Center with No. 1 M.T. Shank	9-21122
60° Center with No. 1 M.T. Shank	9-21102
Face Plate, 4" Dia. with 3/4" No. 16 Threads	9-2489
Face Plate Including Spurs and Screw Center 3" Dia. with 3/4" No. 16 Threads	9-20912
9" Dia. Sanding Disc Only with 3/4" No. 16 Threads	9-24906
Turning Tools	(SEE CATALOG)
Draw Bolt with 1/4" No. 20 Threads	9-21542
Power Tool Know How Handbooks	
Radial Saw	9-2917
Table Saw	9-2918
Bowl Turning Toolrest	9-24903
Face Plate 6" with 3/4" No. 16 Threads	9-24904

The above recommended accessories are current and
were available at the time this manual was printed.

CRAFTSMAN 12-INCH WOOD TURNING LATHE MODEL NO. 23800

Figure 1



repair parts

CRAFTSMAN 12" WOOD-TURNING LATHE MODEL NO. 113.23800

Key No.	Part No.	Description
1	70004	Guard Assembly, includes items 63 and 64
2	63467	Cap Flag Term
3	62376	Outlet
4	STD503103	*Screw Soc Hd Set 5/16-18 x 5/16
5	56170	Pulley Includes Key No 4
6	STD610805	Screw Pan Hd Type A 8 x 12
7	STD600602	*Screw Type 23 Pan No 6-32 x 1/4
8	70008	Guard, Plate
9	STD600605	*Screw Type 23 Pan No 10-32 x 3/8
10	56110	Collar with Set Screw
11	18229	Bearing, Ball
12	38884	Ring, Retaining 1-5/8
13	70014	Headstock
14	56614	Plunger
15	18994	Pin
16	38896	Spring
17	56613	Housing, Plunger
18	56120	Plunger and Housing Assembly Complete Consisting of Items 14 15, 16 and 17
19	56611	Spindle
20	56180	†No 1 Morse Taper Spur Center with Point
21	56619	Point
22	60256	Key
23	STD503705	*Screw Soc Hd Set 3/8-16 x 1/2
24	70006	Headstock Assembly Complete Consisting of Items 4, 5, 10, 11, 12, 13, 14, 15, 16, 17 19, 20 and 23
25	56190	†No. 1 Morse Taper Cup Center with Point
26	56625	Spindle, Tailstock
27	56217	Wheel, Hand
28	56212	Housing, Tailstock
29	56634	Nut, Stud
30	70007	Hub, Assembly Lock
31	STD541525	Nut, Lock 1/4-28
32	60262	Grip
33	120399	*Nut Square 5/16-18 x 9/16 x 7/32
34	56213	Foot, Rear
35	STD523117	*Screw Pan Hd 5/16-18 x 1-3/4
36	56633	Spacer
37	60156	Screw Hex Washer Hd No 10-24 x 1

Key No.	Part No.	Description
38	60308	Screw
39	56629	Barrel, Lock
40	70005	Tailstock Assembly Complete Consisting of Items 25, 26, 27, 28, 29, 30, 31, 32, 36, 37, 38, 39, 41, 42, and 43
41	56628	Screw Slotted Hd Set 1/4-20 x 1-1/4
42	STD541025	Nut Hex 1/4-20
43	38631	Barrel, Lock
44	70016	Rest, Tool
45	56222	Holder, Tool Rest
46	70001	Hub Assembly Lock
47	70012	Bracket, Tool Rest
48	70011	Clamp, Shoe
49	60283	Nut
50	STD551037	Washer, 3/8
51	70002	Tool Rest and Clamp Assembly Consisting of Items 29, 31, 32, 36, 37, 38, 44, 45, 46, 47, 48, 49, 50 and 69
52	56130	Tube Assembly
53	STD304370	*Belt "Vee" 1/2 x 37
54	70010	Switch, Panel
55	60267	Switch, Locking
56	STD541110	*Nut, Hex No 10-32
57	STD551210	*Lockwasher, No 10
58	70009	Box, Junction
59	37818	Relief, Strain
60	37530	Nut "U" Clip
61	60271	Cord (w/Plug)
62	63418	Clamp
63	805146	Washer
64	30540	Screw, Wing
65	60145	*†Wrench Hex 5/32
66	37911	*†Wrench Hex 3/16
67	70019	Rest 6" Tool
68	805265	†Pulley
69	63004	Spring
	70018	Bag of Loose Parts (Not Illustrated)
	70017	Owner's Manual (Not Illustrated)

* Standard Hardware Item - May Be Purchased Locally

† Stock Item - May be secured through the Hardware Department of most Sears or Simpsons-Sears Retail Stores or Catalog Order Houses

NOTE: Shipping and handling charges for standard hardware items (identified by *) such as nuts, screws, washers, etc., make buying these items by mail uneconomical. To avoid shipping and handling charges, you may obtain most of these locally.

Sears

*owners
manual*

SERVICE

**MODEL NO.
113.23800**

**HOW TO ORDER
REPAIR PARTS**

12-INCH WOOD-TURNING LATHE

Now that you have purchased your 12" Wood-Turning Lathe should a need ever exist for repair parts or service, simply contact any Sears Service Center and most Sears, Roebuck and Co. stores. Be sure to provide all pertinent facts when you call or visit.

The model number of your 12" Wood-Turning Lathe will be found on a plate under the belt guard.

**WHEN ORDERING REPAIR PARTS, ALWAYS
GIVE THE FOLLOWING INFORMATION:**

PART NUMBER PART DESCRIPTION

MODEL NUMBER	NAME OF ITEM
113.23800	12-INCH WOOD TURNING LATHE

All parts listed may be ordered from any Sears Service Center and most Sears stores. If the parts you need are not stocked locally, your order will be electronically transmitted to a Sears Repair Parts Distribution Center for handling.

Sold by SEARS, ROEBUCK AND CO., Chicago, IL. 60684 U.S.A.