



Bottom Freezer Refrigerators

Safety Instructions2, 3

Operating Instructions

Automatic Icemaker11
Care and Cleaning12, 13
Controls4
Dispenser5
Freezer10
Replacing the Light Bulbs14
Fresh Food Storage Options7-9
Water Filter6

Installation Instructions

Installing the Refrigerator16-23
Installing the Water Line24-26
Preparing to Install
the Refrigerator15

Troubleshooting Tips27-30

Normal Operating Sounds27

Consumer Support

Consumer SupportBack Cover
Performance Data Sheet39
Product Registration
for Canadian Customers35, 36
Product Registration
for U.S. Customers33, 34
State of California Water
Treatment Device Certificate40
Warranty for Canadian
Customers38
Warranty for U.S. Customers37

Write the model and serial numbers here:

Model # _____

Serial # _____

Find these numbers on a label on the left side, near the middle of the refrigerator compartment.

Owner's Manual and Installation Instructions

GE Model 26

Congélateur inférieur

Réfrigérateurs

Manuel d'utilisation et d'installation

La section française commence à la page 41

Congelador inferior

Refrigeradores

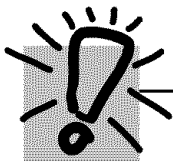
Manual del propietario y instalación

La sección en español empieza en la página 75

IMPORTANT SAFETY INFORMATION. READ ALL INSTRUCTIONS BEFORE USING.

⚠ WARNING!

Use this appliance only for its intended purpose as described in this Owner's Manual.



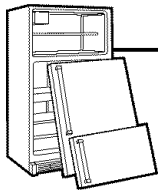
SAFETY PRECAUTIONS

When using electrical appliances, basic safety precautions should be followed, including the following:

- This refrigerator must be properly installed and located in accordance with the Installation Instructions before it is used.
 - Do not allow children to climb, stand or hang on the shelves in the refrigerator. They could damage the refrigerator and seriously injure themselves.
 - Do not touch the cold surfaces in the freezer compartment when hands are damp or wet. Skin may stick to these extremely cold surfaces.
 - Do not store or use gasoline or other flammable vapors and liquids in the vicinity of this or any other appliance.
 - Keep fingers out of the "pinch point" areas; clearances between the doors and between the doors and cabinet are necessarily small. Be careful closing doors when children are in the area.
 - In refrigerators with automatic icemakers, avoid contact with the moving parts of the ejector mechanism, or with the heating element that releases the cubes. Do not place fingers or hands on the automatic icemaking mechanism while the refrigerator is plugged in.
 - Unplug the refrigerator before cleaning and making repairs.
- NOTE:** We strongly recommend that any servicing be performed by a qualified individual.
- Do not refreeze frozen foods which have thawed completely.

⚠ DANGER! RISK OF CHILD ENTRAPMENT

PROPER DISPOSAL OF THE REFRIGERATOR



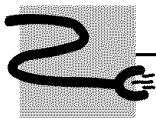
Child entrapment and suffocation are not problems of the past. Junked or abandoned refrigerators are still dangerous...even if they will sit for "just a few days." If you are getting rid of your old refrigerator, please follow the instructions below to help prevent accidents.

Before You Throw Away Your Old Refrigerator or Freezer:

- Take off the doors.
- Leave the shelves in place so that children may not easily climb inside.

Refrigerants

All refrigeration products contain refrigerants, which under federal law must be removed prior to product disposal. If you are getting rid of an old refrigeration product, check with the company handling the disposal about what to do.

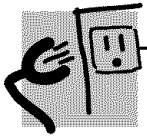


USE OF EXTENSION CORDS

Because of potential safety hazards under certain conditions, we strongly recommend against the use of an extension cord.

However, if you must use an extension cord, it is absolutely necessary that it be a UL-listed (in the United States) or a CSA certified (in Canada), 3-wire grounding type appliance extension cord having a grounding type plug and outlet and that the electrical rating of the cord be 15 amperes (minimum) and 120 volts.

⚠ WARNING!



HOW TO CONNECT ELECTRICITY

Do not, under any circumstances, cut or remove the third (ground) prong from the power cord. For personal safety, this appliance must be properly grounded.

The power cord of this appliance is equipped with a 3-prong (grounding) plug which mates with a standard 3-prong (grounding) wall outlet to minimize the possibility of electric shock hazard from this appliance.

Have the wall outlet and circuit checked by a qualified electrician to make sure the outlet is properly grounded.

Where a standard 2-prong wall outlet is encountered, it is your personal responsibility and obligation to have it replaced with a properly grounded 3-prong wall outlet.

The refrigerator should always be plugged into its own individual electrical outlet which has a voltage rating that matches the rating plate.

This provides the best performance and also prevents overloading house wiring circuits which could cause a fire hazard from overheated wires.

Never unplug your refrigerator by pulling on the power cord. Always grip plug firmly and pull straight out from the outlet.

Repair or replace immediately all power cords that have become frayed or otherwise damaged. Do not use a cord that shows cracks or abrasion damage along its length or at either end.

When moving the refrigerator away from the wall, be careful not to roll over or damage the power cord.

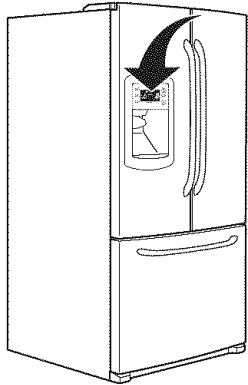


READ AND FOLLOW THIS SAFETY INFORMATION CAREFULLY.

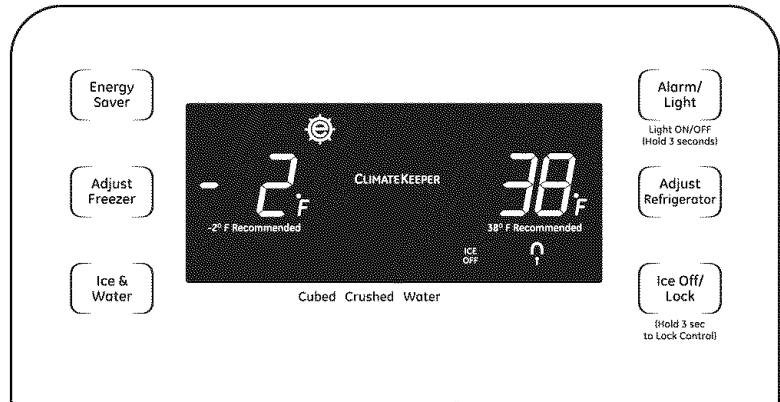
SAVE THESE INSTRUCTIONS

About the controls with temperature settings.

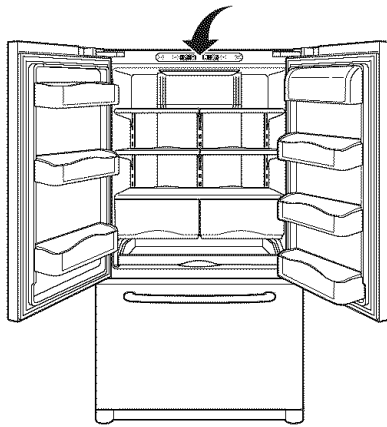
Not all features are on all models. Your controls will look like one of the following:



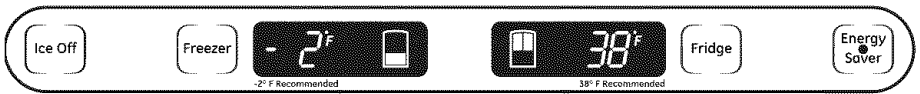
Location of Dispenser Controls



Dispenser Models



Location of Internal Controls



Internal Control Models

NOTE: The refrigerator is shipped with protective film covering the temperature controls. If this film was not removed during installation, remove it now.

The temperature controls are preset in the factory at **38°F** for the refrigerator compartment and **-2°F** for the freezer compartment. Allow 24 hours for the temperature to stabilize to the preset recommended settings.

The temperature controls can display both the **SET** temperature as well as the actual temperature in the refrigerator and freezer. The actual temperature may vary slightly from the **SET** temperature based on usage and operating environment.

Changing the Temperature

Adjust Freezer

Dispenser models:

To change the temperature, press and release the **Adjust Freezer** or **Adjust Refrigerator** pad. The display will show the actual temperature. Tap either the **Adjust Freezer** or **Adjust Refrigerator** pad until the desired temperature is displayed.

Adjust Refrigerator

Once the desired temperature has been set, the temperature display will return to the actual refrigerator and freezer temperatures after 10 seconds. Several adjustments may be required.

Each time you adjust controls, allow 24 hours for the refrigerator to reach the temperature you have set.

Freezer

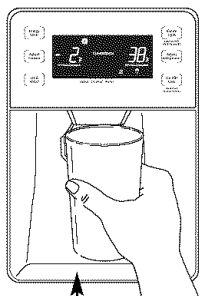
Internal control models:

To change the temperature, press and release the **Freezer** or **Fridge** pad. The display will show the actual temperature. Tap either the **Freezer** or **Fridge** pad until the desired temperature is displayed.

Once the desired temperature has been set, the temperature display will return to the actual refrigerator and freezer temperatures after 10 seconds. Several adjustments may be required.

Fridge

Each time you adjust controls, allow 24 hours for the refrigerator to reach the temperature you have set.



Spill Shelf



To Use the Dispenser (on some models)

Select **Cubed Ice** , **Crushed Ice**  or **Water**  by pressing the **Ice & Water** pad.

Press the glass gently against the top of the dispenser cradle.

The spill shelf is not self-draining. To reduce water spotting, the shelf should be cleaned regularly.

If no water is dispensed when the refrigerator is first installed, there may be air in the water line system. Press the dispenser arm for at least two minutes to remove trapped air from the water line and to fill the water system. To flush out impurities in the water line, throw away the first six full glasses of water.

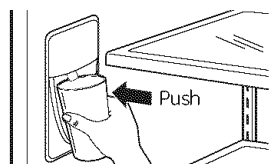
CAUTION: Never put fingers or any other objects into the ice crusher discharge opening.



(Hold 3 sec to Lock Control)

To Lock and Unlock the Dispenser (on some models)

To lock, press and hold the **Ice Off/Lock** pad for 3 seconds. Repeat this step to unlock the dispenser.

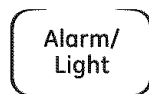


Internal Water Dispenser (on some models)

To use the internal water dispenser, place a glass underneath the water outlet and push gently against the dispenser with your glass.

Important Facts About Your Dispenser

- Do not add ice from trays or bags to the storage drawer. It may not crush or dispense well.
- Avoid overfilling glass with ice and use of narrow glasses. Backed-up ice can jam the chute or cause the door in the chute to freeze shut. If ice is blocking the chute, poke it through with a wooden spoon.
- Beverages and foods should not be quick-chilled in the ice storage drawer. Cans, bottles or food packages in the storage drawer may cause the icemaker or auger to jam.
- To keep dispensed ice from missing the glass, put the glass close to, but not touching, the dispenser opening.
- Some crushed ice may be dispensed even though you selected **Cubed Ice**. This happens occasionally when a few cubes accidentally get directed to the crusher.
- After crushed ice is dispensed, some water may drip from the chute.
- Sometimes a small mound of snow will form on the door in the ice chute. This condition is normal and usually occurs when you have dispensed crushed ice repeatedly. The snow will eventually evaporate.



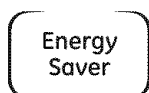
Light ON/OFF (Hold 3 seconds)

About Door Alarm (on some models)

The door alarm will sound if any door is open for more than 3 minutes. The beeping stops when you close the door.

About Dispenser Light (on some models)

Press and hold the **Alarm/Light** pad for 3 seconds to **turn on** the dispenser light. To **turn off**, press and hold the pad again for 3 seconds.

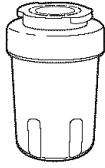


About Energy Saver

This product is equipped with an Energy Saver feature. The refrigerator is shipped with the Energy Saver feature on. Over time, moisture can form on the front surface of the refrigerator cabinet and cause

rust. If moisture does appear on the front surface of the refrigerator cabinet, **turn off** the Energy Saver feature by pressing and releasing the **Energy Saver** pad on the control panel.

About the water filter.



Water Filter Cartridge

The water filter cartridge is located in the back upper right corner of the refrigerator compartment.

When to Replace the Filter

The filter cartridge should be replaced every six months or if the flow of water to the dispenser or icemaker decreases.

Installing the Filter Cartridge

- 1 If you are replacing the cartridge, first remove the old one by slowly turning it counterclockwise. A small amount of water may drip down.

⚠ CAUTION: If air has been trapped in the system, the filter cartridge may be ejected as it is removed. Use caution when removing.

- 2 Remove the protective foil from the end of the cartridge.

- 3 Lining up the arrow on the cartridge and the cartridge holder, place the top of the new cartridge up inside the holder. Do not push it up into the holder. Slowly rotate the cartridge clockwise until it stops. As you turn the cartridge, it will automatically raise itself into position. Cartridge will rotate about 1/4 turn. **Do not overtighten.**

- 4 Run water from the dispenser for 3 minutes (about 1½ gallons) to clear the system and prevent sputtering. See *To Use the Dispenser* section.

NOTE: A newly installed water filter cartridge may **cause water to spurt** from the dispenser.

Filter Bypass Plug

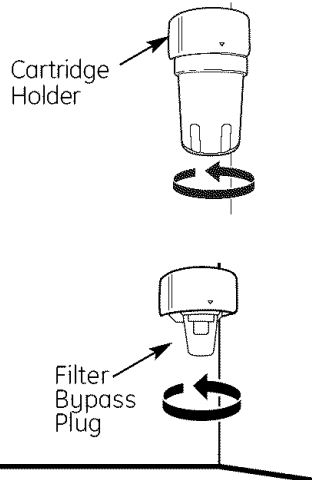
You must use the filter bypass plug when a replacement filter cartridge is not available. The icemaker will not operate without the filter or filter bypass plug.

Replacement Filters:

To order additional filter cartridges in the United States, visit our Website, ge.com or call GE Parts and Accessories, 800.626.2002.

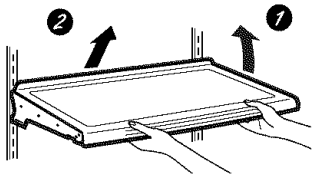
Filter Model MWF

Customers in Canada should consult the yellow pages for the nearest Mabe Service Center.



Rearranging the Shelves

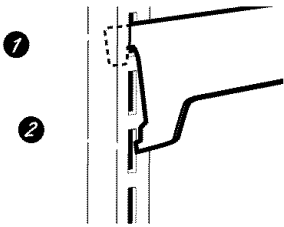
Shelves in the refrigerator compartment are adjustable.



To remove:

- 1 Remove all items from the shelf.
- 2 Tilt the shelf up at the front.
- 3 Lift the shelf up at the back and bring the shelf out.

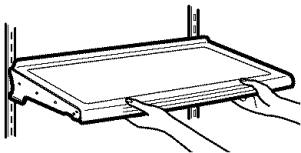
To replace:



- 1 While tilting the shelf up, insert the top hook at the back of the shelf in a slot on the track.
- 2 Lower the front of the shelf until the bottom of the shelf locks into place.

Spillproof Shelves

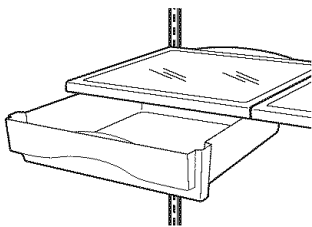
Spillproof shelves have special edges to help prevent spills from dripping to lower shelves.



Floating snack pan

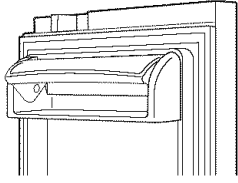
The location of the snack pan is adjustable and can be changed like the other shelves.

To remove:



- 1 Pull the snack pan out to the stop position.
- 2 Lift the pan up and past the stop.

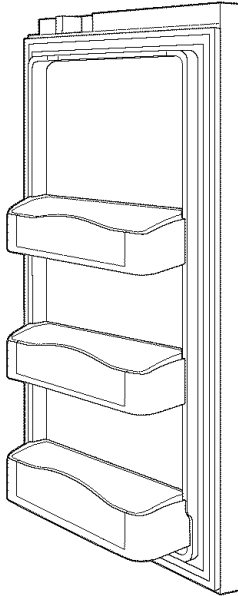
About fresh food storage options.



Non-Adjustable Dairy Bin

To remove: Lift the dairy bin straight up, then pull out.

To replace: Engage the bin in the molded door supports and push down. The bin will lock in place.



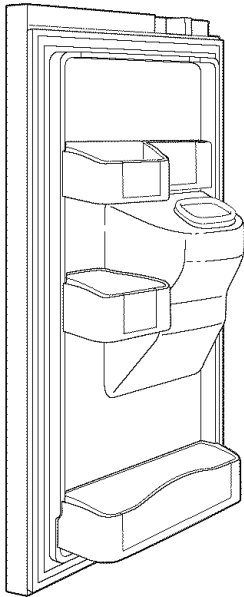
Adjustable Bins on the Door

Adjustable bins can easily be carried from refrigerator to work area.

To remove: Lift bin straight up, then pull out.

To replace or relocate: Slide in the bin just above the molded door supports, and push down. The bin will lock in place.

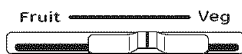
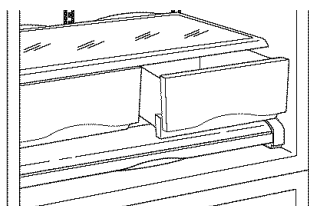
NOTE: On models without a full-width pantry, the location of the bottom door bin is not adjustable.



Non-Adjustable Bins on the Door (on some models)

To remove: Lift the bin straight up, then pull out.

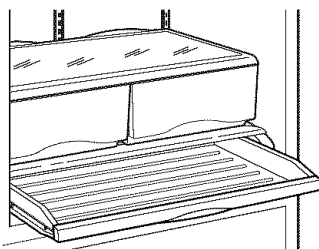
To replace: Engage the bin in the molded supports on the door and push down. It will lock in place.



Fruit and Vegetable Crisper

Keep fruits and vegetables organized in separate compartments for easy access.

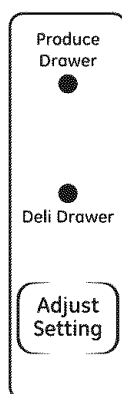
Excess water that may accumulate in the bottom of the drawers or under the drawers should be wiped dry.



Adjustable Deli/Produce Drawer (on some models)

The Adjustable Deli/Produce Drawer is a full-width drawer with adjustable temperature control. This drawer can be used for large miscellaneous items.

There is a temperature control which can adjust the amount of cold air allowed into the drawer.



Control

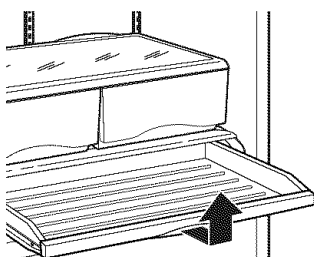
When **Produce Drawer** is selected, the temperature of the drawer can be kept around 38°F (3°C). This feature also helps keep food fresh for a long time.

When **Deli Drawer** is selected, the temperature of the drawer can be kept around 34°F (1°C). This feature also helps keep meat or fish fresh for a longer time.

NOTE: Fruits and vegetables may be damaged using the **Deli Drawer** setting. Do not store lettuce or other leafy produce in this drawer.

CAUTION: Do not store glass bottles in this drawer. If they are frozen, they can break and cause personal injury.

The control is located on the right side of the drawer.



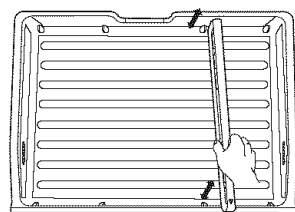
How to Remove and Replace the Adjustable Deli/Produce Drawer

To remove:

- 1 Pull the drawer out to the stop position.
- 2 Lift the front of the drawer up and out.

To replace:

- 1 Lift the cover up.
- 2 Engage the pantry rollers into the side rails.
- 3 Push the drawer inward (until it is in place).



How to Remove and Replace Drawer Divider

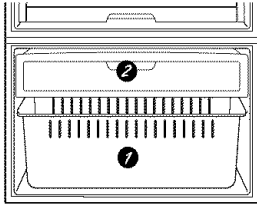
To remove:

- 1 Pull the drawer out to the stop position.
- 2 Raise the front side of the divider to unhook it from the rear wall of the drawer.

To replace:

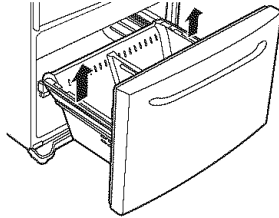
- 1 Hook the back of the divider over the rear wall of the drawer.
- 2 Push the divider down.

About the freezer.



Freezer Basket and Drawer

- 1 Basket.
- 2 Drawer.



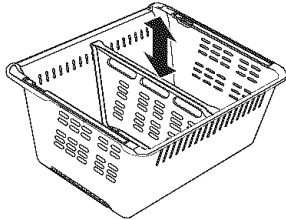
Basket Removal

To remove:

- 1 Remove Freezer Bin. (See below.)
- 2 Pull basket out to the stop position.
- 3 Tilt up the rear of the bin.
- 4 Lift it out to remove.

To replace:

- 1 Place the basket into the rail assembly.



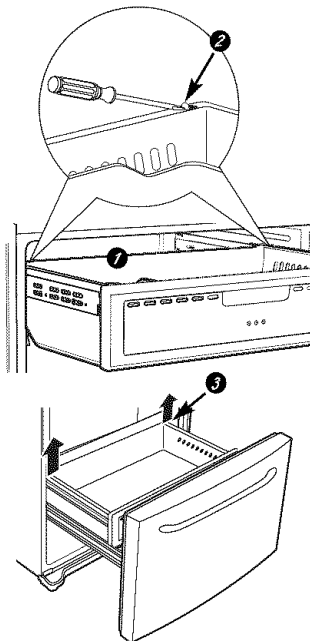
Basket Divider Removal

To remove:

- 1 Pull basket out to the stop position.
- 2 Tilt up the rear of the bin.
- 3 Lift it out to remove.

To replace:

- 1 Hook the top corners of the divider over the hole of the basket.



Drawer Removal

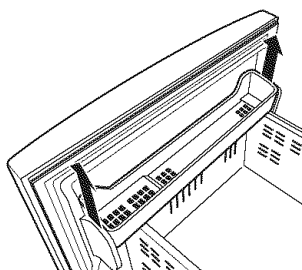
To remove:

- 1 Pull the drawer out to the stop position.
- 2 Remove both side knobs with a flat-head screwdriver (as shown at left).
- 3 Tilt up the rear of the drawer and lift drawer up and out.

To replace:

- 1 Pull both rails out to the stop position.
- 2 Place the drawer onto the rails and hook the support into the slots located on the side of the drawer.
- 3 Replace the side knobs and push the drawer back into place.

⚠ WARNING: Do not lose the side knobs during disassembly since they may present a choking hazard to children.

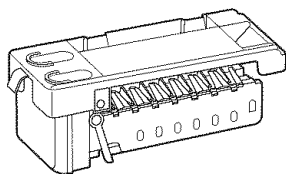


Non-Adjustable Bin in the Freezer

To remove: Pull the brackets upward until you hear a clicking sound and remove the bin.

To replace: Hook the ends of the bin into both brackets and push down until the bin locks into place.

A newly installed refrigerator may take 12 to 24 hours to begin making ice.



Ice Off/
Lock

Ice Off

Automatic Icemaker

The icemaker will produce seven cubes per cycle—approximately 100–130 cubes in a 24-hour period, depending on freezer compartment temperature, room temperature, number of door openings and other use conditions.

If the refrigerator is operated before the water connection is made to the icemaker, press and release the **Ice Off/Lock** or **Ice Off** pad on the control panel to disengage the icemaker.

When the refrigerator has been connected to the water supply, press and release the **Ice Off/Lock** or **Ice Off** pad on the control panel to engage the icemaker.

A newly installed refrigerator may take 12 to 24 hours to begin making ice cubes.

You will hear a buzzing sound each time the icemaker fills with water.

Throw away the first few batches of ice to allow the water line to clear.

Be sure nothing interferes with the sweep of the feeler arm.

When the bin fills to the level of the feeler arm, the icemaker will stop producing ice. It is normal for several cubes to be joined together.

If ice is not used frequently, old ice cubes will become cloudy, taste stale and shrink.

NOTE: In homes with lower-than-average water pressure, you may hear the icemaker cycle multiple times when making one batch of ice.

NOTE: Turn on the **Ice Off** feature if the water supply is shut off.

Care and cleaning of the refrigerator.

Cleaning the Outside

The door handles and trim. Clean with a cloth dampened with soapy water. Dry with a soft cloth. Do not use wax on the door handles and trim.

Keep the outside clean. Wipe with a clean cloth lightly dampened with kitchen appliance wax or mild liquid dish detergent. Dry and polish with a clean, soft cloth.

Do not wipe the refrigerator with a soiled dish cloth or wet towel. These may leave a residue that can erode the paint. Do not use scouring pads, powdered cleaners, bleach or cleaners containing bleach because these products can scratch and weaken the paint finish.

The stainless steel panels and door handles. Stainless steel (on some models) can be cleaned with a commercially available stainless steel cleaner. A spray-on stainless steel cleaner works best.

Do not use appliance wax or polish on the stainless steel.

Silver-accented plastic parts. Wash parts with soap or other mild detergents. Wipe clean with a sponge, damp cloth or paper towel.

Do not scrub with steel-wool pads or other abrasive cleaners.

Cleaning the Inside

To help prevent odors, leave an open box of baking soda in the refrigerator and freezer compartments.

Unplug the refrigerator before cleaning. If this is not practical, wring excess moisture out of sponge or cloth when cleaning around switches, lights or controls.

Use an appliance wax polish on the inside surface between the doors.

Use warm water and baking soda solution—about a tablespoon (15 ml) of baking soda to a quart (1 liter) of water. This both cleans and neutralizes odors. Rinse and wipe dry.

After cleaning the door gaskets, apply a thin layer of petroleum jelly to the door gaskets at the hinge side. This helps keep the gaskets from sticking and bending out of shape.

Avoid cleaning cold glass shelves with hot water because the extreme temperature difference may cause them to break. Handle glass shelves carefully. Bumping tempered glass can cause it to shatter.

Do not wash any plastic refrigerator parts in the dishwasher.

Silver-accented plastic parts. Wash parts with soapy water. Wipe clean with a sponge, damp cloth or paper towel.

Do not scrub with steel-wool pads or other abrasive cleaners.

Behind the Refrigerator

Be careful when moving the refrigerator away from the wall. All types of floor coverings can be damaged, particularly cushioned coverings and those with embossed surfaces.

Raise the leveling legs located at the bottom front of the refrigerator. See *Level the Refrigerator* in the *Installation Instructions* for leveling leg details.

Pull the refrigerator straight out and return it to position by pushing it straight in. Moving the refrigerator in a side direction may result

in damage to the floor covering or refrigerator.

Lower the leveling legs until they touch the floor.

When pushing the refrigerator back, make sure you don't roll over the power cord or icemaker supply line (on some models) and ensure the anti-tip bracket is engaged (if equipped).

Preparing for Vacation

Ice Off/
Lock

Ice Off

For long vacations or absences, remove food and unplug the refrigerator. Clean the interior with a baking soda solution of one tablespoon (15 ml) of baking soda to one quart (1 liter) of water. Leave the doors open.

Press and release the **Ice Off/Lock** or **Ice Off** pad on the control panel to disengage the icemaker.

If the temperature can drop below freezing, have a qualified servicer drain the water supply system (on some models) to prevent serious property damage due to flooding.

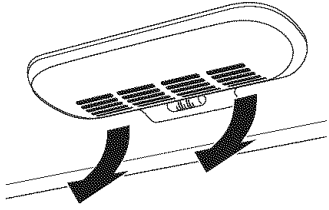
Preparing to Move

Secure all loose items such as base grille, shelves and drawers by taping them securely in place to prevent damage.

When using a hand truck to move the refrigerator, do not rest the front or back of the refrigerator against the hand truck. This could damage the refrigerator. Handle only from the sides of the refrigerator.

Be sure the refrigerator stays in an upright position during moving.

Replacing the light bulbs.

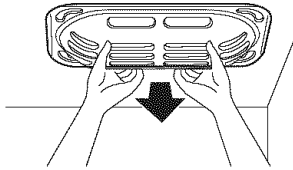


Refrigerator Lights

- 1 Unplug the power cord from the outlet.
- 2 Rotate the shield down while depressing the two tabs on the back side of the cover to remove it.
- 3 Turn the bulb counterclockwise.

- 4 Replace with an appliance bulb of the same or lower wattage.
- 5 Replace the shield.
- 6 Plug the refrigerator back in.

NOTE: *Reveal® appliance bulbs may be ordered from GE Parts and Accessories, 800.626.2002.*



Freezer Light

⚠ CAUTION: *Light bulbs may be hot.*

- 1 Unplug the power cord from the outlet.
- 2 Pull drawer out to the stop position.
- 3 Rotate the shield down while pushing it backwards to remove it.

- 4 Turn the bulb counterclockwise.
- 5 Replace with an appliance bulb of the same or lower wattage.
- 6 Replace the shield.
- 7 Plug the refrigerator back in.

NOTE: *Reveal® appliance bulbs may be ordered from GE Parts and Accessories, 800.626.2002.*

Installation Instructions

Refrigerator

GE Model 26

Questions? Call 800.GE.CARES (800.432.2737) or Visit our Website at: ge.com
In Canada, call 1.800.561.3344 or Visit our Website at: www.geappliances.ca

BEFORE YOU BEGIN

Read these instructions completely and carefully.

- **IMPORTANT** – Save these instructions for local inspector's use.
- **IMPORTANT** – Observe all governing codes and ordinances.
- **Note to Installer** – Be sure to leave these instructions with the Consumer.
- **Note to Consumer** – Keep these instructions for future reference.
- **Skill level** – Installation of this appliance requires basic mechanical skills.
- **Completion time** – Refrigerator Installation
20 minutes
Water Line Installation
30 minutes
- Proper installation is the responsibility of the installer.
- Product failure due to improper installation is not covered under the Warranty.

PREPARATION

MOVING THE REFRIGERATOR INDOORS

If the refrigerator will not fit through a doorway, the refrigerator doors and freezer drawer can be removed.

- To remove the refrigerator door, see the *Installing the Refrigerator* section.
- To remove the freezer drawer, see the *Removing the Freezer Drawer* section.

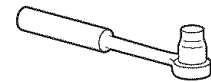
WATER SUPPLY TO THE ICEMAKER AND DISPENSER

If the refrigerator has an icemaker, it will have to be connected to a cold water line. A GE water supply kit (containing tubing, shutoff valve, fittings and instructions) is available at extra cost from your dealer, by visiting our Website at ge.com (in Canada at www.geappliances.ca) or from Parts and Accessories, 800.626.2002 (In Canada 1.888.261.3055).

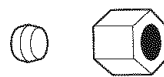
TOOLS YOU MAY NEED



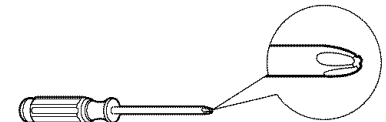
Adjustable Wrench



10 mm Socket Ratchet/Driver



1/4" Outer Diameter Compression Nut and Ferrule (sleeve)



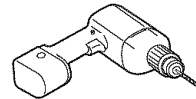
Phillips-Head Screwdriver



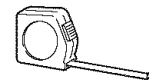
3/32", 1/8", 3/16" and 4 mm Allen Wrenches



Flat-Head Screwdriver



1/8" Drill Bit and Electric or Hand Drill



Tape Measure



Pencil



1/4" Nut Driver

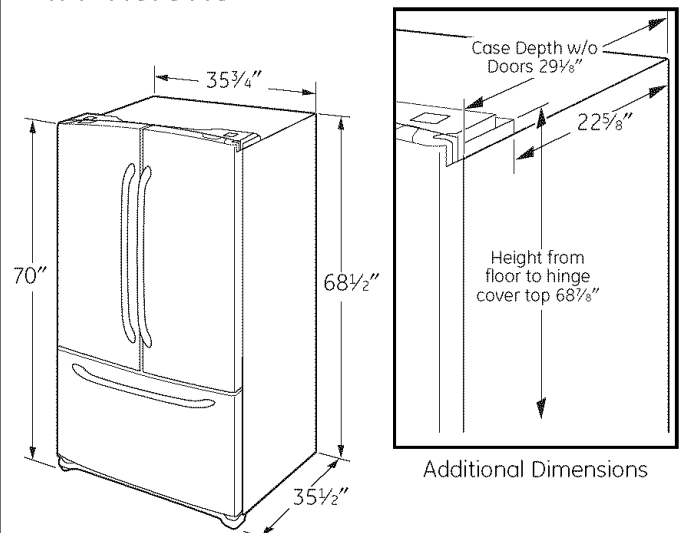


Pliers



Level

DIMENSIONS



Installation Instructions

INSTALLING THE REFRIGERATOR

REFRIGERATOR LOCATION

- Do not install the refrigerator where the temperature will go below 60°F (16°C) because it will not run often enough to maintain proper temperatures.
- Do not install the refrigerator where the temperature will go above 100°F (37°C) because it will not perform properly.
- Install it on a floor strong enough to support it fully loaded.

CLEARANCES

Allow the following clearances for ease of installation, proper air circulation and plumbing and electrical connections.

Sides	1/8" (3 mm)
Top	1" (25 mm)
Back	1" (25 mm)

REMOVING THE REFRIGERATOR DOORS

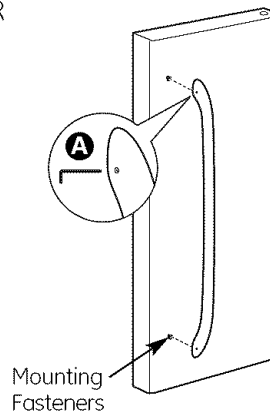
- **IMPORTANT NOTE:** This refrigerator is 35.6" deep. Doors and passageways leading to the installation location must be at least 36" wide in order to leave the doors and handles attached to the refrigerator while transporting it into the installation location. If passageways are less than 36", the refrigerator doors and handles can easily be scratched and damaged. The top cap and doors can be removed to allow the refrigerator to be safely moved indoors. Start with Step 1.
- If it is not necessary to remove doors, skip to Step 9. Leave tape and all packaging on doors until the refrigerator is in the final location.
- **NOTE:** Use a padded hand truck to move this refrigerator. Place the refrigerator on the hand truck with a side against the truck. We strongly recommend that **TWO PEOPLE** move and complete this installation.

1 REMOVE THE FRESH FOOD DOOR HANDLE

Stainless steel and plastic handles:

- **A REMOVING THE DOOR HANDLE:** Loosen the set screws with the 1/8" Allen wrench and remove the handle.

NOTE: If the handle mounting fasteners need to be tightened or removed, use a Phillips-head screwdriver.

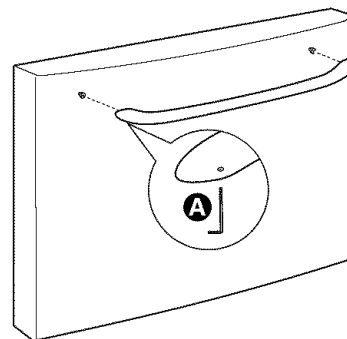


2 REMOVE THE FREEZER DOOR HANDLE

Stainless steel and plastic handles:

- **A** Loosen the set screws located on the underside of the handle with the 1/8" Allen wrench and remove the handle.

NOTE: If the handle mounting fasteners need to be tightened or removed, use a Phillips-head screwdriver.

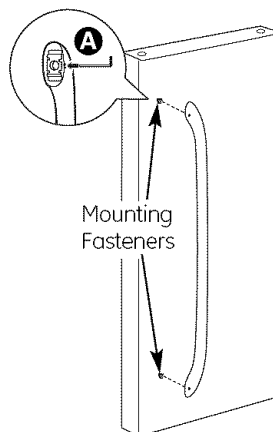


Installation Instructions

3 ATTACH THE FRESH FOOD DOOR HANDLE

Stainless steel and plastic handles:

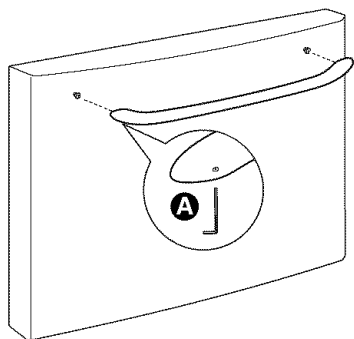
- A Attach the handle to the handle mounting fasteners and tighten the set screws with a 1/8" Allen wrench.



4 ATTACH THE FREEZER DOOR HANDLE

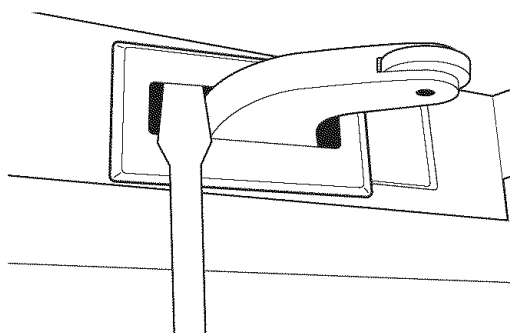
Stainless steel and plastic handles:

- A Attach the handle firmly to the mounting fasteners and tighten the set screws on the bottom of the handle with a 1/8" Allen wrench.



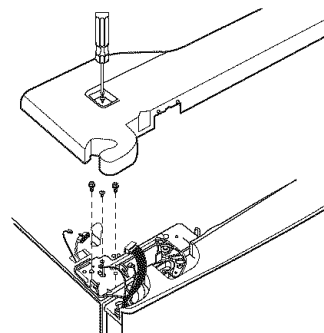
5 REMOVE THE REFRIGERATOR DOORS

- A Open the refrigerator doors.
- B Remove the two rectangular caps with a flat-head screwdriver.

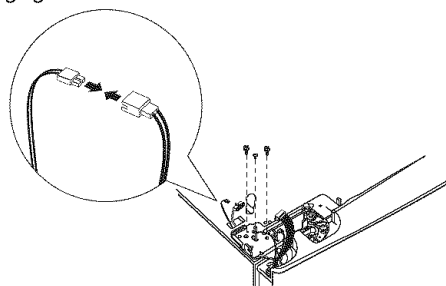


5 REMOVE THE REFRIGERATOR DOORS (cont.)

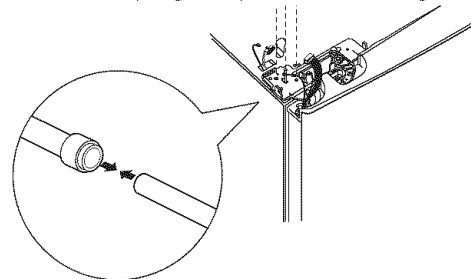
- C Remove the three screws on top with a Phillips-head screwdriver.



- D Disengage the two electrical connectors.

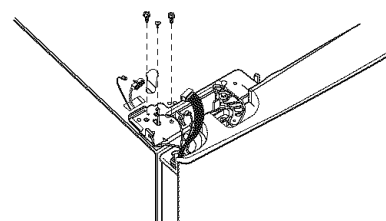


- E To disconnect the water coupling, push in on the gray color of the coupling and pull out the tubing.



- F Remove the two grounding cables with a Phillips-head screwdriver.

- G Remove three 10 mm hex-head bolts (right and left).



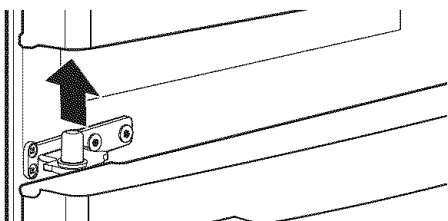
CAUTION: When the bolts are removed, the door may fall and cause personal injury and/or damage to the door itself.

Installation Instructions

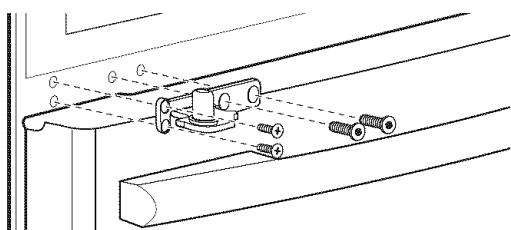
INSTALLING THE REFRIGERATOR (cont.)

5 REMOVE THE REFRIGERATOR DOORS (cont.)

- H** Lift the door straight up to remove.

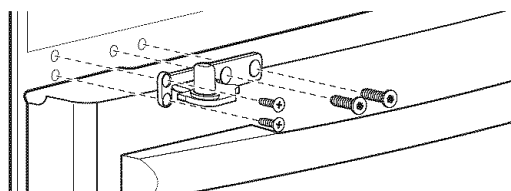


- I** Remove the two bolts using a 3/16" Allen wrench and two Phillips-head screws from the center hinge. Set the hinge, bolts and screw aside.

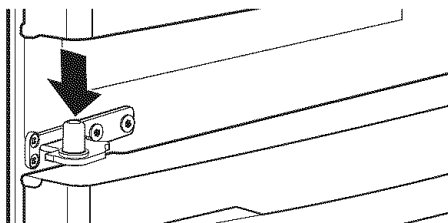


6 REPLACING THE REFRIGERATOR DOORS

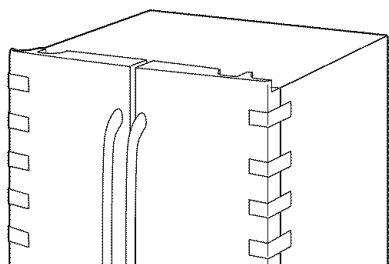
- A** Install the center hinge on each side.



- B** Lower the refrigerator door onto the center hinge pin. Ensure that the plastic hinge pin thimble is on the center hinge pin or inside door hinge pin hole located in the bottom of the door.

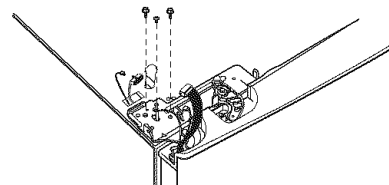


- C** Securely tape the door shut with masking tape or have a second person support the door.

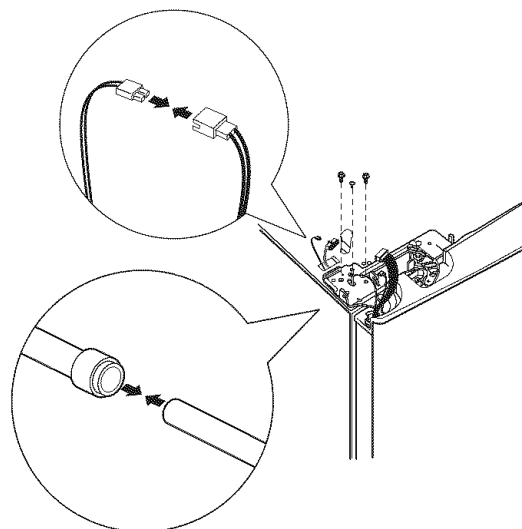


6 REPLACING THE REFRIGERATOR DOORS (cont.)

- D** Insert the top hinge pin into the hinge hole on top of the refrigerator door. Make sure the door is aligned with the cabinet and opposite door. Attach the hinge to the top of the cabinet. Do not tighten bolts completely.



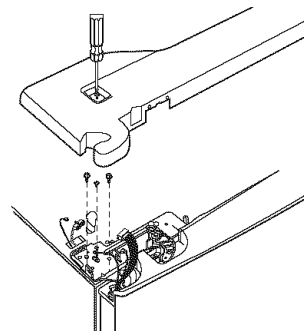
- E** On left-hand doors, pass the wires and water line through the top hinge pin. Then connect the water line and two connectors.



- F** Attach the ground wire with a Phillips-head screwdriver at the right and left hinge.

- G** Make sure the gasket on the door is flush against the cabinet and is not folded. Make sure the door is straight and the gap between the doors is even across the front. While holding the aligned door in place, tighten the top hinge bolts.

- H** Reconnect the two connectors at each side of the top cap and reattach the three Phillips-head screws on top.

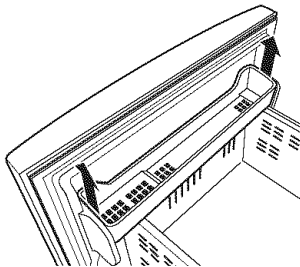


- I** Reinstall the rectangular caps removed in Step 5.

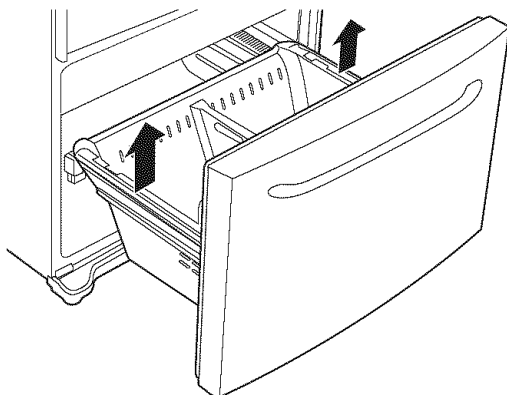
Installation Instructions

7 REMOVE THE FREEZER DOOR

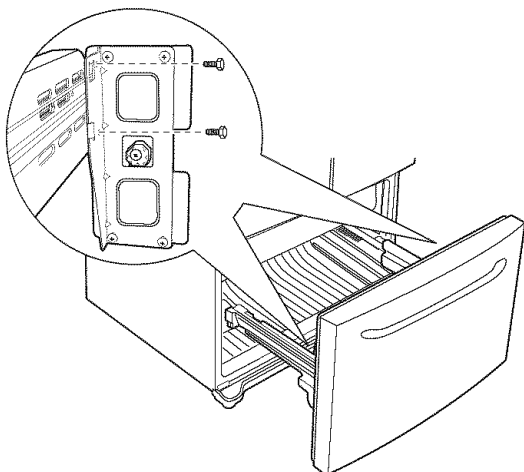
- A** Pull the freezer door open to full extension.
- B** Remove the freezer bin by pulling both brackets upward at the same time. (See page 10.)



- C** Take out the lower basket by lifting the basket up from the rail system. (See page 10.)

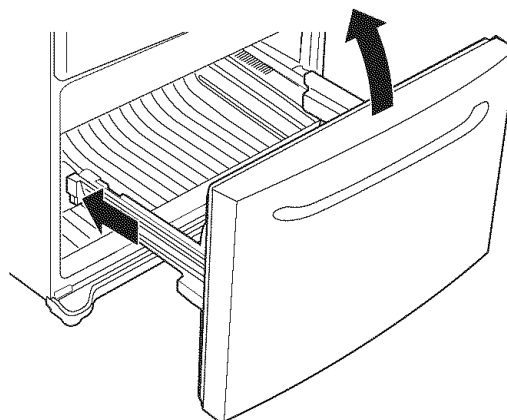


- D** Remove the two 10 mm hex-head bolts from the right and left side.



7 REMOVE THE FREEZER DOOR (cont.)

- E** Use the tip of a screwdriver to separate the rail from the rail cover. Tilt the front end up and lift the entire door.



- F** Set the door front on a nonscratching surface.
- G** Push the rail assemblies back into the cabinet.

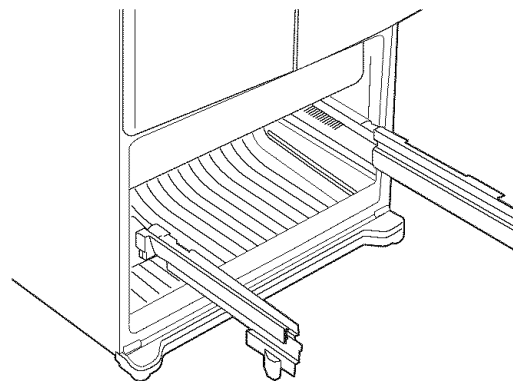
CAUTION: Push both sides of the rail assemblies back at the same time.

8 REPLACING THE FREEZER DOOR

Two people may be required to complete this procedure.

ATTACH AND SECURE THE DRAWER FRONT TO THE SLIDES

- A** Pull out the rail assemblies to the full length on each side of the cabinet.



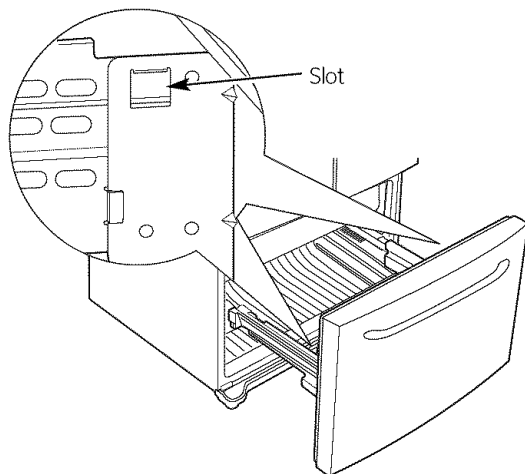
CAUTION: Make sure to pull out the side rails evenly.

Installation Instructions

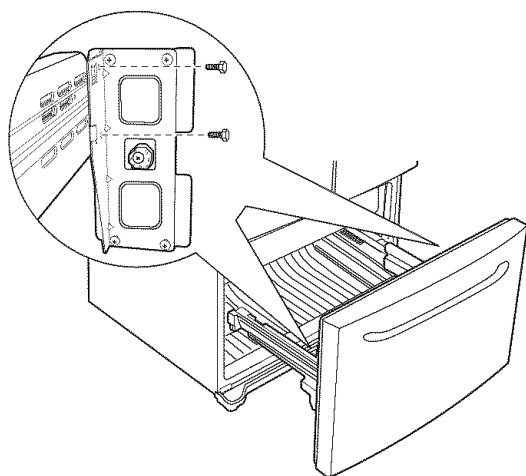
INSTALLING THE REFRIGERATOR (cont.)

8 REPLACING THE FREEZER DOOR (cont.)

- B** Hang the freezer door front onto open slots on the sides.

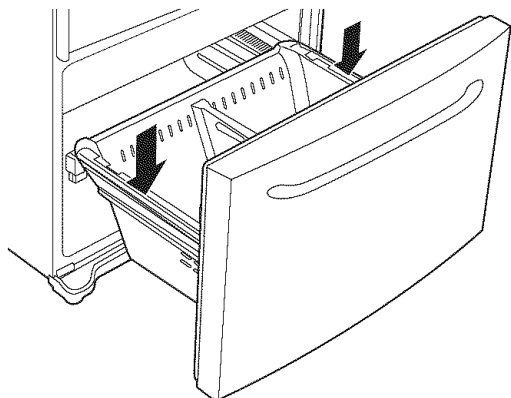


- C** Tighten screws completely. (There are four 10 mm hex-head bolts.)



REPLACE THE FREEZER BASKET

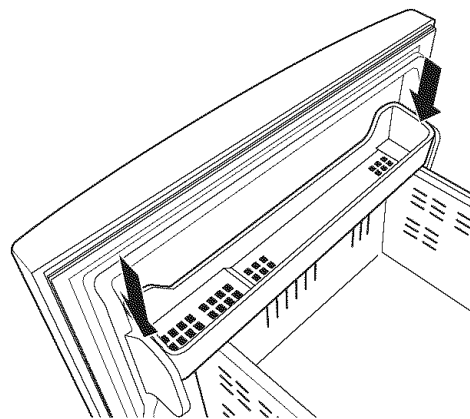
Replace the freezer basket by lowering it into the frame.



8 REPLACING THE FREEZER DOOR (cont.)

REPLACE THE FREEZER BIN

Hook the ends of the freezer bin into both brackets, and push down until they lock into place. (See page 10.)



9 CONNECTING THE REFRIGERATOR TO THE HOUSE WATER LINE

A cold water supply is required for automatic icemaker operation. If there is not a cold water supply, you will need to provide one. See *Installing the Water Line* section.

NOTE: Before making the connection to the refrigerator, be sure the refrigerator power cord is not plugged into the wall outlet.

- A** If you are using copper tubing, place a compression nut and ferrule (sleeve) onto the end of the tubing coming from the house cold water supply.

If you are using the GE SmartConnect™ tubing, the nuts are already assembled to the tubing.

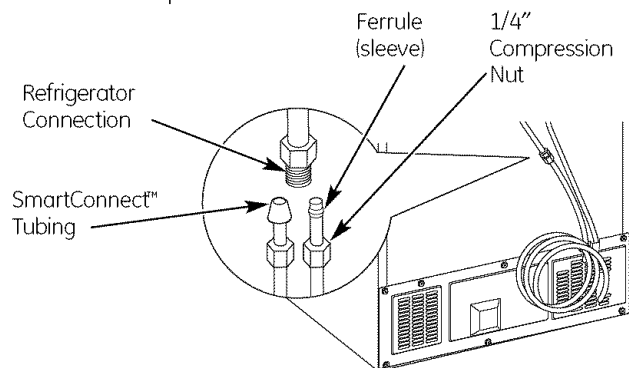
Installation Instructions

9 CONNECTING THE REFRIGERATOR TO THE HOUSE WATER LINE (cont.)

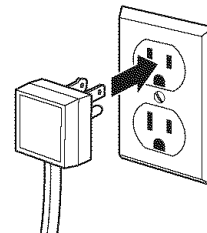
B If you are using copper tubing, insert the end of the tubing into the refrigerator connection, at the back of the refrigerator, as far as possible. While holding the tubing, tighten the fitting.

If you are using GE SmartConnect™ tubing, insert the molded end of the tubing into the refrigerator connection, at the back of the refrigerator, and tighten the compression nut until it is hand tight. Then tighten one additional turn with a wrench. Overtightening may cause leaks.

C Fasten the tubing into the clamp provided to hold it in position. You may need to pry open the clamp.

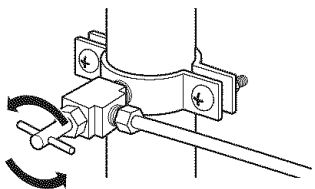


11 PLUG IN THE REFRIGERATOR



See the grounding information attached to the power cord.

10 TURN ON THE WATER SUPPLY



Turn the water on at the shutoff valve (house water supply) and check for any leaks.

Installation Instructions

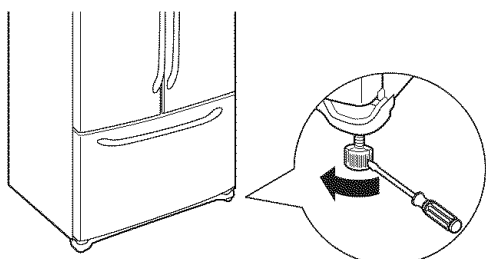
INSTALLING THE REFRIGERATOR (cont.)

12 LEVEL THE REFRIGERATOR

The leveling legs have 2 purposes:

- 1) Leveling legs adjust so the refrigerator is firmly positioned on the floor and does not wobble.
- 2) Leveling legs serve as a stabilizing brake to hold the refrigerator securely in position during operation and cleaning. The leveling legs also prevent the refrigerator from tipping.

- A** Turn the leveling legs **clockwise to raise** the refrigerator, **counterclockwise to lower** it.

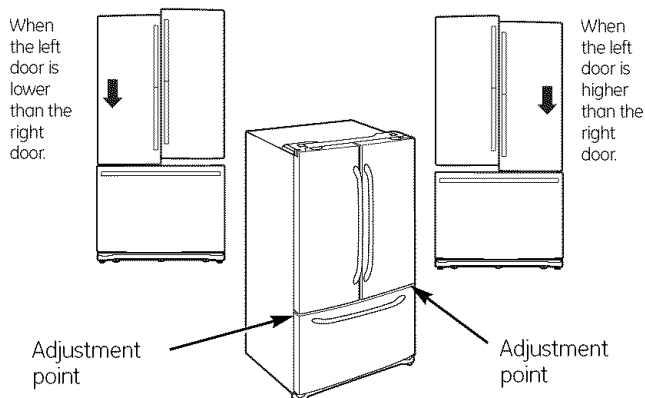


Flat-Head Screwdriver

CAUTION: To avoid possible personal injury or property damage, the leveling legs must be firmly touching the floor.

13 LEVEL THE REFRIGERATOR DOORS

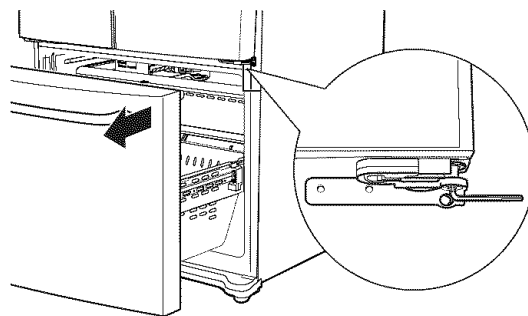
Remember a level refrigerator is necessary for getting the doors perfectly even. If you need help, review the previous section on leveling the refrigerator.



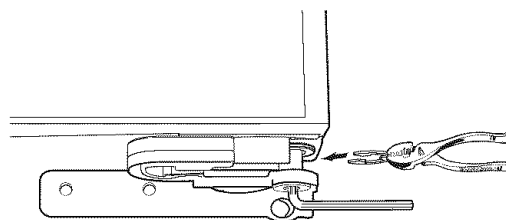
- A** If you open the freezer door, you can see the center hinge.
- B** Insert the supplied 4 mm Allen wrench into the shaft of the center hinge.

13 LEVEL THE REFRIGERATOR DOORS (cont.)

- C** Adjust the height by turning clockwise or counterclockwise. When you turn counterclockwise, the door will move up.



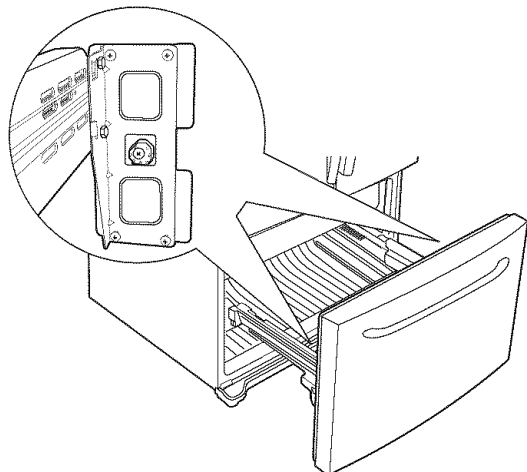
- D** After adjusting the doors, insert the supplied fastener ring using a pair of pliers in the gap between the hinge grommet and the center hinge. The number of fastener rings you will need to insert depends on the gap.



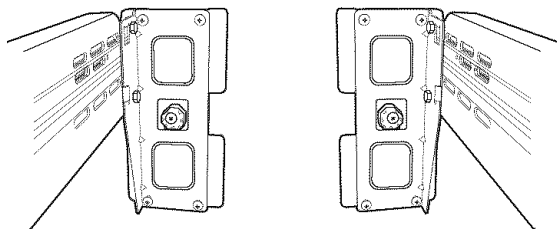
NOTE: Four fastener rings are enclosed with the refrigerator. Thickness of each fastener ring is 0.04".

Installation Instructions

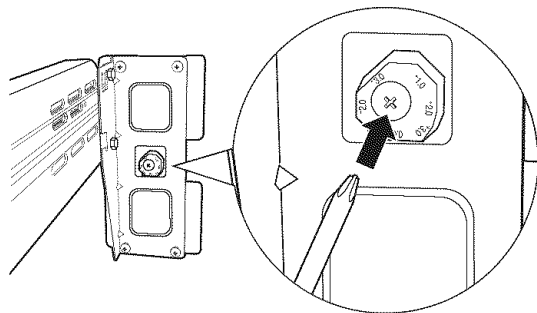
14 LEVEL THE FREEZER DOOR



- A** Locate the height adjuster in the freezer door. Slightly loosen the four Phillips-head screws from the door on each side (right and left).

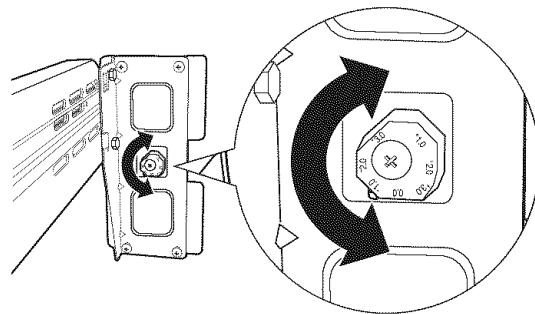


- B** Loosen the controller screw with a Phillips-head screwdriver to adjust the level.

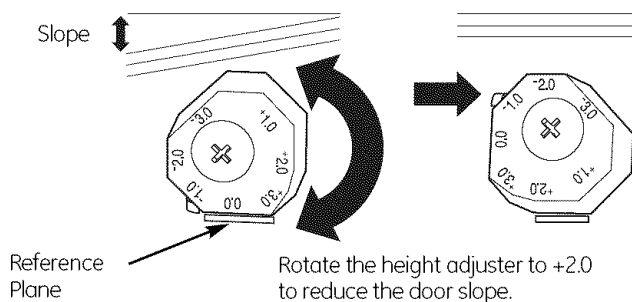


14 LEVEL THE FREEZER DOOR (cont.)

- C** Find the best position to align the door slope.



Example: The slope is about 2 mm as shown below.



- D** After adjustment, tighten all the screws.

15 SET THE CONTROLS

Set the controls to the recommended setting.

RECOMMENDED CONTROL SETTINGS



16 REMOVE PACKAGING

- A** Remove all tape, foam and protective packing from shelves and drawers.

Installation Instructions

INSTALLING THE WATER LINE

BEFORE YOU BEGIN

Recommended copper water supply kits are WX8X2, WX8X3 or WX8X4, depending on the amount of tubing you need. Approved plastic water supply lines are GE SmartConnect™ Refrigerator Tubing (WX08X10006, WX08X10015 and WX08X10025).

When connecting your refrigerator to a GE Reverse Osmosis Water System, the only approved installation is with a GE RVKit. For other reverse osmosis water systems, follow the manufacturer's recommendations.

If the water supply to the refrigerator is from a Reverse Osmosis Water Filtration System AND the refrigerator also has a water filter, use the refrigerator's filter bypass plug. Using the refrigerator's water filtration cartridge in conjunction with the MWF filter can result in hollow ice cubes.

This water line installation is not warranted by the refrigerator or icemaker manufacturer. Follow these instructions carefully to minimize the risk of expensive water damage.

Water hammer (water banging in the pipes) in house plumbing can cause damage to refrigerator parts and lead to water leakage or flooding. Call a qualified plumber to correct water hammer before installing the water supply line to the refrigerator.

To prevent burns and product damage, do not hook up the water line to the hot water line.

If you use your refrigerator before connecting the water line, disable the icemaker by turning the **Ice Off** feature ON. See *About the Automatic Icemaker* for more information.

Do not install the icemaker tubing in areas where temperatures fall below freezing.

When using any electrical device (such as a power drill) during installation, be sure the device is double insulated or grounded in a manner to prevent the hazard of electric shock, or is battery powered.

All installations must be in accordance with local plumbing code requirements.

WHAT YOU WILL NEED



- **Copper or GE SmartConnect™ Refrigerator Tubing kit**, 1/4" outer diameter to connect the refrigerator to the water supply. If using copper, be sure both ends of the tubing are cut square.

To determine how much tubing you need: measure the distance from the water valve on the back of the refrigerator to the water supply pipe. Be sure there is sufficient extra tubing to allow the refrigerator to move out from the wall after installation.

GE SmartConnect™ Refrigerator Tubing Kits are available in the following lengths:

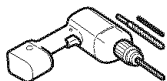
- 6' (1.8 m) – WX08X10006
- 15' (4.6 m) – WX08X10015
- 25' (7.6 m) – WX08X10025

Installation Instructions

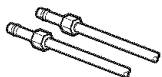
WHAT YOU WILL NEED (CONT.)

NOTE: The only GE approved plastic tubing is that supplied in GE SmartConnect™ Refrigerator Tubing kits. Do not use any other plastic water supply line because the line is under pressure at all times. Certain types of plastic will crack or rupture with age and cause water damage to your home.

- A **GE water supply kit** (containing tubing, shutoff valve and fittings listed below) is available at extra cost from your dealer or from Parts and Accessories, 800.626.2002 (in Canada 1.888.261.3055).
- A **cold water supply**. The water pressure must be between 20 and 120 p.s.i. (1.4–8.1 bar).



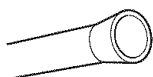
- **Power drill.**
- **1/2" or adjustable wrench.**
- **Straight and Phillips blade screwdriver.**



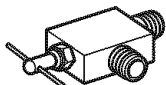
- **Two 1/4" outer diameter compression nuts and 2 ferrules (sleeves)**—to connect the copper tubing to the shutoff valve and the refrigerator water valve.

OR

- If you are using a GE SmartConnect™ Refrigerator Tubing kit, the necessary fittings are preassembled to the tubing.



- If your existing copper water line has a flared fitting at the end, you will need an **adapter** (available at plumbing supply stores) to connect the water line to the refrigerator **OR** you can cut off the flared fitting with a **tube cutter** and then use a compression fitting. Do not cut formed end from GE SmartConnect™ Refrigerator tubing.



- **Shutoff valve** to connect to the cold water line. The shutoff valve should have a water inlet with a minimum inside diameter of 5/32" at the point of connection to the **COLD WATER LINE**. Saddle-type shutoff valves are included in many water supply kits. Before purchasing, make sure a saddle-type valve complies with your local plumbing codes.

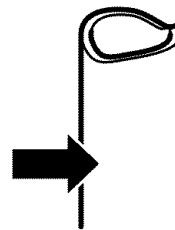
Install the shutoff valve on the nearest frequently used drinking water line.

1 SHUT OFF THE MAIN WATER SUPPLY

Turn on the nearest faucet long enough to clear the line of water.

2 CHOOSE THE VALVE LOCATION

Choose a location for the valve that is easily accessible. It is best to connect into the side of a vertical water pipe. When it is necessary to connect into a horizontal water pipe, make the connection to the top or side, rather than at the bottom, to avoid drawing off any sediment from the water pipe.

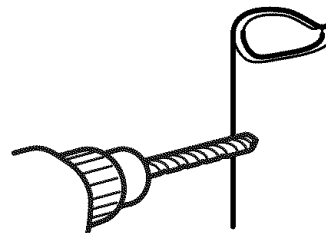


3 DRILL THE HOLE FOR THE VALVE

Drill a 1/4" hole in the water pipe (even if using a self-piercing valve), using a sharp bit. Remove any burrs resulting from drilling the hole in the pipe.

Take care not to allow water to drain into the drill.

Failure to drill a 1/4" hole may result in reduced ice production or smaller cubes.

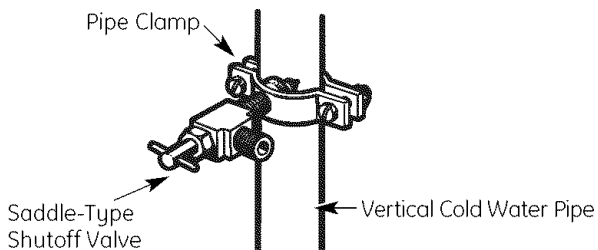


Installation Instructions

INSTALLING THE WATER LINE (CONT.)

4 FASTEN THE SHUTOFF VALVE

Fasten the shutoff valve to the cold water pipe with the pipe clamp.

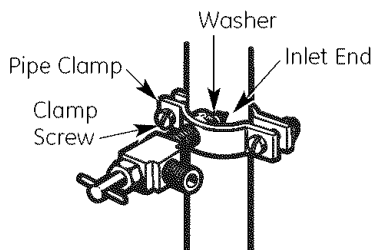


NOTE: Commonwealth of Massachusetts Plumbing Codes 248CMR shall be adhered to. Saddle valves are illegal and use is not permitted in Massachusetts. Consult with your licensed plumber.

5 TIGHTEN THE PIPE CLAMP

Tighten the clamp screws until the sealing washer begins to swell.

NOTE: Do not overtighten or you may crush the tubing.



6 ROUTE THE TUBING

Route the tubing between the cold water line and the refrigerator.

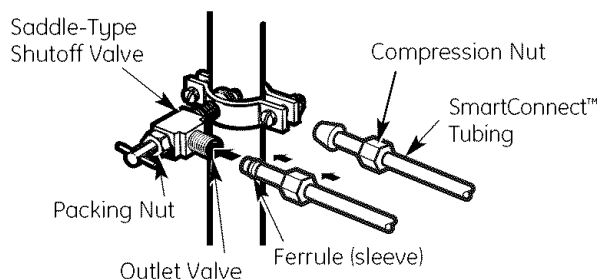
Route the tubing through a hole drilled in the wall or floor (behind the refrigerator or adjacent base cabinet) as close to the wall as possible.

7 CONNECT THE TUBING TO THE VALVE

Place the compression nut and ferrule (sleeve) for copper tubing onto the end of the tubing and connect it to the shutoff valve.

Make sure the tubing is fully inserted into the valve. Tighten the compression nut securely.

For plastic tubing from a GE SmartConnect™ Refrigerator Tubing kit, insert the molded end of the tubing into the shutoff valve and tighten compression nut until it is hand tight, then tighten one additional turn with a wrench. Overtightening may cause leaks.

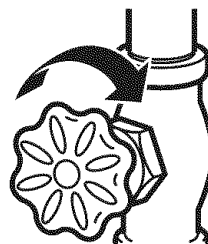


NOTE: Commonwealth of Massachusetts Plumbing Codes 248CMR shall be adhered to. Saddle valves are illegal and use is not permitted in Massachusetts. Consult with your licensed plumber.

8 FLUSH OUT THE TUBING

Turn the main water supply on and flush out the tubing until the water is clear.

Shut the water off at the water valve after about one quart (1 liter) of water has been flushed through the tubing.



To complete the installation of the refrigerator, go back to Step 1 in *Installing the Refrigerator*.

Normal operating sounds.



Newer refrigerators sound different from older refrigerators. Modern refrigerators have more features and use newer technology.

Do you hear what I hear? These sounds are normal.

**HUMMM...
WHOOSH...**

- The new high efficiency compressor may run faster and longer than your old refrigerator and you may hear a high-pitched hum or pulsating sound while it is operating.
- You may hear a whooshing sound when the doors close. This is due to pressure equalizing within the refrigerator.



- You may hear the fans spinning at high speeds. This happens when the refrigerator is first plugged in, when the doors are opened frequently or when a large amount of food is added to the refrigerator or freezer compartments. The fans are helping to maintain the correct temperatures.
- The fans change speeds in order to provide optimal cooling and energy savings.

**CLICKS, POPS,
CRACKS and SNAPS**

- You may hear cracking or popping sounds when the refrigerator is first plugged in. This happens as the refrigerator cools to the correct temperature.
- The freezer control will click when starting or stopping the compressor.
- Expansion and contraction of cooling coils during and after defrost can cause a cracking or popping sound.
- On models with an icemaker, after an icemaking cycle, you may hear the ice cubes dropping into the ice bucket.
- On models with a dispenser, during water dispense, you may hear the water lines move at initial dispense and after dispenser button is released.

WATER SOUNDS



- The flow of refrigerant through the freezer cooling coils may make a gurgling noise like boiling water.
- Water dropping on the defrost heater can cause a sizzling, popping or buzzing sound during the defrost cycle.
- A water dripping noise may occur during the defrost cycle as ice melts from the evaporator and flows into the drain pan.
- Closing the door may cause a gurgling sound due to pressure equalization.



For additional information on normal icemaker operating sounds, see the **About the automatic icemaker** section.

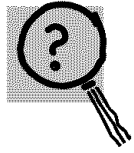
Before you call for service...





Troubleshooting Tips
Save time and money! Review the charts on the following pages first and you may not need to call for service.

Problem	Possible Causes	What To Do
Refrigerator does not operate	Refrigerator in defrost cycle.	• Wait about 30 minutes for defrost cycle to end.
	Refrigerator is unplugged.	• Push the plug completely into the outlet.
	The fuse is blown/circuit breaker is tripped.	• Replace fuse or reset the breaker.
Vibration or rattling (slight vibration is normal)	Leveling legs need adjusting.	• See <i>Level the Refrigerator</i> .

Before you call for service...



Troubleshooting Tips

Problem	Possible Causes	What To Do
Motor operates for long periods or cycles on and off frequently. (Modern refrigerators with more storage space and a larger freezer require more operating time. They start and stop often to maintain even	Normal when refrigerator is first plugged in.	<ul style="list-style-type: none"> Wait 24 hours for the refrigerator to completely cool down.
	Often occurs when large amounts of food are placed in refrigerator.	<ul style="list-style-type: none"> This is normal.
	Door left open.	<ul style="list-style-type: none"> Check to see if package is holding door open.
	Hot weather or frequent door openings.	<ul style="list-style-type: none"> This is normal.
Refrigerator or freezer compartment too warm	Temperature control set at the coldest setting.	<ul style="list-style-type: none"> See <i>About the controls</i>.
	Temperature controls not set cold enough.	<ul style="list-style-type: none"> See <i>About the controls</i>.
	Warm weather or frequent door openings.	<ul style="list-style-type: none"> Set the temperature control one step colder. See <i>About the controls</i>.
Frost or ice crystals on frozen food (frost within package is normal)	Door left open.	<ul style="list-style-type: none"> Check to see if package is holding door open.
	Door openings too frequent or too long.	<ul style="list-style-type: none"> Check to see if package is holding door open.
Frequent "buzzing" sound	Ice Off feature is turned off, but the water supply to the refrigerator has not been connected.	<ul style="list-style-type: none"> Press and release the Ice Off/Lock pad on the control panel to turn on the Ice Off feature, and then the  icon will be displayed. Keeping the Ice Off feature on will damage the water valve.
Small or hollow cubes	Water filter clogged.	<ul style="list-style-type: none"> Replace filter cartridge with new cartridge or with plug.
Automatic icemaker does not work	Ice Off feature is turned on.	<ul style="list-style-type: none"> Press and release the Ice Off/Lock pad on the control panel to turn off the Ice Off feature, and then the  icon will disappear.
	Water supply turned off or not connected.	<ul style="list-style-type: none"> See <i>Installing the water line</i>.
	Freezer compartment too warm.	<ul style="list-style-type: none"> Wait 24 hours for the refrigerator to completely cool down.
	Piled up cubes in the storage bin cause the icemaker to shut off.	<ul style="list-style-type: none"> Level cubes by hand.
	Ice cubes stuck in icemaker.	<ul style="list-style-type: none"> Turn off the icemaker, remove cubes and turn the icemaker back on.

Problem	Possible Causes	What To Do
Ice cubes have odor/taste	Food transmitting odor/taste to ice cubes.	<ul style="list-style-type: none"> • Wrap foods well.
	Interior of refrigerator needs cleaning.	<ul style="list-style-type: none"> • See <i>Care and cleaning</i>. • Keep an open box of baking soda in the refrigerator; replace every three months.
Slow ice cube freezing	Door left open.	<ul style="list-style-type: none"> • Check to see if package is holding door open.
	Freezer control not set cold enough.	<ul style="list-style-type: none"> • See <i>About the controls</i>.
Refrigerator has odor	Foods transmitting odor to refrigerator.	<ul style="list-style-type: none"> • Foods with strong odors should be tightly wrapped. • Keep an open box of baking soda in the refrigerator; replace every three months.
	Interior needs cleaning.	<ul style="list-style-type: none"> • See <i>Care and cleaning</i>.
Moisture forms on outside of refrigerator	Not unusual during periods of high humidity.	<ul style="list-style-type: none"> • Wipe surface dry and reset the refrigerator control one setting colder. • Turn off Energy Saver mode.
Moisture collects inside (in humid weather, air carries moisture into refrigerator when doors are opened)	Too frequent or too long door openings.	
Refrigerator or freezer compartment light does not work	No power at outlet.	<ul style="list-style-type: none"> • Replace fuse or reset the breaker.
	Light bulb burned out or loose.	<ul style="list-style-type: none"> • See <i>Replacing the light bulbs</i>.
Door/drawer does not close by itself	Leveling legs need adjusting.	<ul style="list-style-type: none"> • See <i>Installing the Refrigerator</i>.
Hot air from bottom of refrigerator	Normal air flow cooling motor. In the refrigeration process, it is normal that heat be expelled in the area under the refrigerator. Some floor coverings will discolor at these normal and safe temperatures.	
Food freezing in the refrigerator	Food too close to the air vent at the back of the refrigerator.	<ul style="list-style-type: none"> • Move the food away from the air vent.
	Refrigerator control is set too cold.	<ul style="list-style-type: none"> • Move the refrigerator control to a warmer temperature setting one increment at a time.

Before you call for service...



Troubleshooting Tips

Problem	Possible Causes	What To Do
Water has poor taste/odor	Water dispenser has not been used for a long time.	<ul style="list-style-type: none"> Dispense water until all water in system is replenished.
Water in first glass is warm	Normal when refrigerator is first installed.	<ul style="list-style-type: none"> Wait 24 hours for the refrigerator to completely cool down.
	Water dispenser has not been used for a long time.	<ul style="list-style-type: none"> Dispense water until all water in system is replenished.
	Water system has been drained.	<ul style="list-style-type: none"> Allow several hours for replenished supply to chill.
Water dispenser does not work	Water supply line turned off or not connected.	<ul style="list-style-type: none"> See <i>Installing the water line</i>.
	Water filter clogged.	<ul style="list-style-type: none"> Replace filter cartridge or remove filter and install plug.
	Air may be trapped in the water system.	<ul style="list-style-type: none"> Press the dispenser arm for at least 2 minutes.
	Water in reservoir is frozen because the controls are set too cold.	<ul style="list-style-type: none"> Set the refrigerator control to a warmer setting and wait 24 hours. If water does not dispense after 24 hours, call for service.
Flow of water to dispenser or icemaker is slow	Water filter clogged.	<ul style="list-style-type: none"> Replace filter cartridge or remove filter and install plug.
Water spurting from dispenser	Newly installed filter cartridge.	<ul style="list-style-type: none"> Run water from the dispenser for 3 minutes (about 1½ gallons).
No water or ice cube production	Supply line or shutoff valve is clogged.	<ul style="list-style-type: none"> Call a plumber.
	Water filter clogged.	<ul style="list-style-type: none"> Replace filter cartridge or remove filter and install plug.
	Filter cartridge not properly installed.	<ul style="list-style-type: none"> Remove and reinstall filter cartridge, being certain that it locks into place. The blade on the end of the cartridge should be positioned vertically.
Water is leaking from dispenser	Glass not being held under the dispenser long enough after button is released.	<ul style="list-style-type: none"> Hold the glass underneath the dispenser for 2–3 seconds after releasing the dispenser button. Water may continue to dispense after the button is released.
	Air may be present in the water line system, causing water to drip after being dispensed.	<ul style="list-style-type: none"> Dispense water for at least 2 minutes to remove air from system.
Handle is loose / handle has a gap	Handle needs adjusting.	<ul style="list-style-type: none"> See <i>Attach the Fresh Food handle</i> and <i>Attach the Freezer handle</i> sections for detailed instructions.
Refrigerator beeping	This is the door alarm.	<ul style="list-style-type: none"> Close door.

Safety Instructions	Operating Instructions	Installation Instructions	Troubleshooting Tips	Consumer Support
---------------------	------------------------	---------------------------	----------------------	------------------

<i>Consumer Support</i>	<i>Troubleshooting Tips</i>	<i>Installation Instructions</i>	<i>Operating Instructions</i>	<i>Safety Instructions</i>
-------------------------	-----------------------------	----------------------------------	-------------------------------	----------------------------

Notes.

GE Service Protection Plus™

GE, a name recognized worldwide for quality and dependability together with Assurant Solutions, offers you Service Protection Plus™—comprehensive protection on your appliances.*

Benefits Include:

- Prompt, reliable service from GE Authorized Servicers
- Convenient hours designed to suit your busy schedule
- Quality replacement parts
- The dependability of GE, a name recognized and trusted worldwide
- Ask about our interest-free payment plans

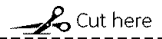
With Service Protection Plus you can expect:

- An extended service plan that limits unexpected repair bills
- Service coverage for most major brands
- Unlimited service calls for the length of your contract, or credit toward a replacement product
- Service coverage for covered operating parts and labor on appliances and home electronics that fail during normal single family household use
- Your satisfaction is our goal. We strive to provide you with excellent service in a professional and timely manner.

Place your confidence in GE and call us in the U.S. toll-free at **1.800.626.2224** for more information.

*Most brands covered up to 15 years old in the continental U.S.

SPP is a trademark of General Electric Company.



Please place in envelope and mail to:

General Electric Company
Warranty Registration Department
P.O. Box 32150
Louisville, KY 40232-2150

Consumer Product Ownership Registration

Dear Customer:

Thank you for purchasing our product and thank you for placing your confidence in us.

We are proud to have you as a customer!

Follow these three steps to protect your new appliance investment:

1

Complete and mail your Consumer Product Ownership Registration today. Have the peace of mind of knowing we can contact you in the unlikely event of a safety modification.

2

After mailing the registration below, store this document in a safe place. It contains information you will need should you require service. Our service number is 800 GE CARES (800.432.2737).


3

Read your Owner's Manual carefully. It will help you operate your new appliance properly.

Model Number

Serial Number

Important: If you did not get a registration card with your product, detach and return the form below to ensure that your product is registered, or register online at ge.com.

 Cut here

Consumer Product Ownership Registration



Model Number

Serial Number

Mr. Ms. Mrs. Miss

First Name

Last Name

Street Address

Apt. #

E-mail Address*

City

State

Zip Code

Date Placed In Use
Month

Day

Year

Phone Number - -



GE Consumer & Industrial Appliances
General Electric Company
Louisville, KY 40225
ge.com

* Please provide your e-mail address to receive, via e-mail, discounts, special offers and other important communications from GE Appliances (GEA).

Check here if you do not want to receive communications from GEA's carefully selected partners.

FAILURE TO COMPLETE AND RETURN THIS CARD DOES NOT DIMINISH YOUR WARRANTY RIGHTS.

For information about GEA's privacy and data usage policy, go to ge.com and click on "Privacy Policy" or call 800.626.2224.

Please place in envelope and mail to:
Veuillez mettre dans une enveloppe et envoyez à :

**OWNERSHIP REGISTRATION
P.O. BOX 1780
MISSISSAUGA, ONTARIO
L4Y 4G1**

(FOR CANADIAN CONSUMERS ONLY)



For Canadian
Customers



Pour les
Consommateurs
Canadiens

CUT ALONG THIS LINE AND RETURN CARD - THANKS

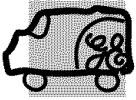
OWNERSHIP REGISTRATION CERTIFICATE - FICHE D'INSCRIPTION DU PROPRIÉTAIRE

Please register your product to enable us to contact you in the remote event a safety notice is issued for this product and to allow for efficient communication under the terms of your warranty, should the need arise.

Veillez enregistrer votre produit afin de nous permettre de communiquer avec vous si jamais un avis de sécurité concernant ce produit était émis et de communiquer facilement avec vous en vertu de votre garantie, si le besoin s'en fait sentir.

REGISTER ONLINE: www.geappliances.ca		MAIL TO: P.O. BOX 1780, MISSISSAUGA
ENREGISTREMENT SUR INTERNET À: www.electromenagersge.ca		POSTER À: ONTARIO, L4Y 4G1
<input type="checkbox"/> MR./M	<input type="checkbox"/> MRS./MME.	FIRST NAME / PRÉNOM
<input type="checkbox"/> MISS/Mlle.	<input type="checkbox"/> MS.	LAST NAME / NOM
STREET NO / N° RUE		APT. NO / APP. / RR#
STREET NAME / RUE		
CITY / VILLE		PROVINCE
		POSTAL CODE / POSTAL
AREA CODE / IND. RÉG.	TELEPHONE	E-MAIL
DID YOU PURCHASE A SERVICE CONTRACT FOR THIS APPLIANCE? AVEZ-VOUS ACHETÉ UN CONTRAT DE SERVICE POUR CET APPAREIL ?		YES / OUI <input type="checkbox"/> NO / NON <input type="checkbox"/>
		IF YES / SI OUI: EXPIRATION Y/A M D/J
NAME OF SELLING DEALER / NOM DU MARCHAND		MODEL / MODÈLE
INSTALLATION DATE / DATE D'INSTALLATION Y/A M D/J	CORRESPONDENCE <input type="checkbox"/> ENGLISH CORRESPONDANCE <input type="checkbox"/> FRANÇAIS	SERIAL / SÉRIE
<input type="checkbox"/> I do not wish to receive any promotional offers regarding this product. <input type="checkbox"/> Je ne désire pas recevoir d'offres promotionnelles concernant ce produit.		

Refrigerator Warranty. (For customers in the United States)



All warranty service provided by our Factory Service Centers, or an authorized Customer Care® technician. To schedule service, on-line, visit us at ge.com, or call 800.GE.CARES (800.432.2737). Please have serial number and model number available when calling for service.

Staple your receipt here.
Proof of the original purchase date is needed to obtain service under the warranty.

For The Period Of: GE Will Replace:

GE and GE PROFILE MODELS:

One Year
From the date of the original purchase
Any part of the refrigerator which fails due to a defect in materials or workmanship. During this **limited one-year warranty**, GE will also provide, **free of charge**, all labor and related service to replace the defective part.

Thirty Days
(Water filter, if included)
From the original purchase date of the refrigerator
Any part of the water filter cartridge which fails due to a defect in materials or workmanship. During this **limited thirty-day warranty**, GE will also provide, **free of charge**, a replacement water filter cartridge.

GE PROFILE MODELS ONLY:

Five Years
(GE Profile models only)
From the date of the original purchase
Any part of the sealed refrigerating system (the compressor, condenser, evaporator and all connecting tubing) which fails due to a defect in materials or workmanship. During this **limited five-year sealed refrigerating system warranty**, GE will also provide, **free of charge**, all labor and related service to replace the defective part in the sealed refrigerating system.

What GE Will Not Cover:

- Service trips to your home to teach you how to use the product.
- Improper installation, delivery or maintenance.
- Failure of the product if it is abused, misused, or used for other than the intended purpose or used commercially.
- Loss of food due to spoilage.
- Replacement of house fuses or resetting of circuit breakers.
- Damage caused after delivery.
- Replacement of the water filter cartridge, if included, due to water pressure that is outside the specified operating range or due to excessive sediment in the water supply.
- Replacement of the light bulbs, if included, or water filter cartridge, if included, other than as noted above.
- Damage to the product caused by accident, fire, floods or acts of God.
- Incidental or consequential damage caused by possible defects with this appliance.
- Product not accessible to provide required service.

EXCLUSION OF IMPLIED WARRANTIES—Your sole and exclusive remedy is product repair as provided in this Limited Warranty. Any implied warranties, including the implied warranties of merchantability or fitness for a particular purpose, are limited to one year or the shortest period allowed by law.

This warranty is extended to the original purchaser and any succeeding owner for products purchased for home use within the USA. If the product is located in an area where service by a GE Authorized Servicer is not available, you may be responsible for a trip charge or you may be required to bring the product to an Authorized GE Service location for service. In Alaska, the warranty excludes the cost of shipping or service calls to your home.

Some states do not allow the exclusion or limitation of incidental or consequential damages. This warranty gives you specific legal rights, and you may also have other rights which vary from state to state. To know what your legal rights are, consult your local or state consumer affairs office or your state's Attorney General.

CUSTOMER WARRANTY

(for customers in Canada)

Your refrigerator is warranted to be free of defects in material and workmanship.

What is covered	How Long Warranted (From Date of Sale)	Parts Repair or Replace at Mabe's Option	Labour
Compressor	GE Profile: Ten (10) Years GE and All Other Brands: One (1) Year	GE Profile: Ten (10) Years GE and All Other Brands: One (1) Year	GE Profile: Five (5) Years GE and All Other Brands: One (1) Year
Sealed System (including evaporator, condenser tubing and refrigerant)	GE Profile: Five (5) Years GE and All Other Brands: One (1) Year	GE Profile: Five (5) Years GE and All Other Brands: One (1) Year	GE Profile: Five (5) Years GE and All Other Brands: One (1) Year
All Other Parts	One (1) Year	One (1) Year	One (1) Year

TERMS AND CONDITIONS:

This warranty applies only for single family domestic use in Canada when the Refrigerator has been properly installed according to the instructions supplied by Mabe and is connected to an adequate and proper utility service.

Damage due to abuse, accident, commercial use, and alteration or defacing of the serial plate cancels all obligations of this warranty.

Service during this warranty period must be performed by an Authorized Mabe Service Agent.

Neither Mabe nor the Dealer is liable for any claims or damages resulting from failure of the Refrigerator or from service delays beyond their reasonable control.

To obtain warranty service, purchaser must present the original Bill of Sale. Components repaired or replaced are warranted through the remainder of the original warranty period only.

This warranty is extended to the original purchaser and any succeeding owner for products purchased for home use within Canada. In home warranty service will be provided in areas where it is available and deemed reasonable by Mabe to provide.

This warranty is in addition to any statutory warranty.

WHAT IS NOT COVERED:

- Owner is responsible to pay for service calls related to product installation and/or teaching how to use the product.
- Damage to finish must be reported within 48 hours following the delivery of the appliance.
- Damage to finish after delivery.
- Improper installation—proper installation includes adequate air circulation to the refrigeration system, adequate electrical, plumbing and other connecting facilities.
- Replacement of house fuses or resetting of circuit breakers.
- Replacement of light bulbs.
- Damage to product caused by accident, fire, floods or acts of God.
- Loss of food due to spoilage.
- Proper use and care of product as listed in the owner's manual, proper setting of controls.
- Product not accessible to provide required service.
- **WARRANTOR IS NOT RESPONSIBLE FOR CONSEQUENTIAL DAMAGES.**

EXCLUSION OF IMPLIED WARRANTIES—Your sole and exclusive remedy is product repair as provided in this Limited Warranty. Any implied warranties, including the implied warranties of merchantability or fitness for a particular purpose, are limited to one year or the shortest period allowed by law.

IMPORTANT

Keep this warranty and your bill of sale as proof of original purchase and purchase date. Please have serial number and model number available when calling for service.

Mabe Service is available coast to coast. If further help is needed concerning this warranty, contact:

Manager, Consumer Relations
Mabe Canada Inc., Consumer Service
1 Factory Lane, Suite 310
Moncton, New Brunswick E1C 9M3
1.800.561.3344

*Staple your receipt here.
Proof of the original purchase
date is needed to obtain service
under the warranty.*

Performance Data Sheet
SmartWater Filtration System
MWF Cartridge

This system has been tested according to NSF/ANSI 42/53 for reduction of the substances listed below. The concentration of the indicated substances in water entering the system was reduced to a concentration less than or equal to the permissible limit for water leaving the system, as specified in NSF/ANSI 42/53. (100% safety factors built in for unmetered usage)*

Standard No. 42: Aesthetic Effects								
Parameter	USEPA MCL	Influent Challenge Concentration	Influent Average	Effluent		% Reduction		Min. Required Reduction
				Average	Maximum	Average	Minimum	
Chlorine	—	2.0 mg/L ± 10%	1.96 mg/L	0.06 mg/L	0.11 mg/L	96.77%	94.74%	> 50%
T & O	—	—	—	—	—	—	—	—
Particulate**	—	≥ 10,000 particles/mL	6,400,000 #/mL	58,833 #/mL	150,000 #/mL	99.14%	97.97%	≥ 85%

Standard No. 53: Health Effects								
Parameter	USEPA MCL	Influent Challenge Concentration	Influent Average	Effluent		% Reduction		Min. Required Reduction
				Average	Maximum	Average	Minimum	
Turbidity	0.5 NTU	11 ± 1 NTU***	10.5 NTU	0.14 NTU	0.28 NTU	98.54%	97.20%	0.5 NTU
Cysts	≥ 99.95% Reduction	Minimum 50,000 L	118,750 #/L	< 1 #/L	4 #/L	> 99.99%	> 99.99%	≥ 99.95%
Asbestos	≥ 99% Reduction	10 ⁷ to 10 ⁸ fibers/L; > 10µm	57 MF/L	0.996 MF/L	< 1 MF/L	99.60%	99.39%	≥ 99%
Lead at pH 6.5	0.015 mg/L	0.15 mg/L ± 10%	0.1567 mg/L	< 0.001 mg/L	< 0.001 mg/L	99.36%	99.29%	0.010 mg/L
Lead at pH 8.5	0.015 mg/L	0.15 mg/L ± 10%	0.1433 mg/L	< 0.001 mg/L	< 0.001 mg/L	99.30%	99.29%	0.010 mg/L
Mercury at pH 6.5	0.002 mg/L	0.006 mg/L ± 10%	0.0059 mg/L	0.000350 mg/L	0.0007 mg/L	94.70%	87.50%	0.002 mg/L
Mercury at pH 8.5	0.002 mg/L	0.006 mg/L ± 10%	0.0057 mg/L	0.000325 mg/L	0.0006 mg/L	93.20%	89.29%	0.002 mg/L
Alachlor	0.002 mg/L	0.04 mg/L ± 10%	0.0367 mg/L	0.00023 mg/L	0.0004 mg/L	99.34%	98.67%	0.002 mg/L
Lindane	0.0002 mg/L	0.002 mg/L ± 10%	0.0020 mg/L	< 0.00002 mg/L	< 0.00002 mg/L	99.00%	98.95%	0.0002 mg/L
2,4-D	0.070 mg/L	0.210 mg/L ± 10%	0.2033 mg/L	0.00337 mg/L	0.011000 mg/L	98.32%	94.50%	0.070 mg/L
Toxaphene	0.003 mg/L	0.015 mg/L ± 10%	0.0160 mg/L	0.00100 mg/L	0.001000 mg/L	93.44%	91.67%	0.003 mg/L
Benzene	0.005 mg/L	0.015 mg/L ± 10%	0.0145 mg/L	0.000500 mg/L	0.000500 mg/L	96.51%	95.83%	0.005 mg/L
Carbofuran	0.040 mg/L	0.080 mg/L ± 10%	0.0830 mg/L	0.001000 mg/L	0.001000 mg/L	98.78%	98.65%	0.04 mg/L
1,4 dichlorobenzene	0.075 mg/L	0.225 mg/L ± 10%	0.2283 mg/L	0.000500 mg/L	0.000500 mg/L	99.78%	99.77%	0.075 mg/L
Atrazine	0.003 mg/L	0.009 mg/L ± 10%	0.0087 mg/L	< 0.0005 mg/L	< 0.0005 mg/L	94.22%	93.33%	0.003 mg/L

* Tested using a flow rate of 0.50 gpm; pressure of 60 psig; pH of 7.5 ± 0.5; temp. of 68° ± 5°F (20° ± 3°C)

** Measurement in Particles/ml. Particles used were 0.5-1 microns

*** NTU=Nephelometric Turbidity units

Operating Specifications

- Capacity: certified for up to 300 gallons (1135 l); up to six months for models without a replacement filter indicator light; up to one year for models with a replacement filter indicator light
- Pressure requirement: 40–120 psi (2.8–8.2 bar), non-shock
- Temperature: 33–100°F (0.6–38°C)
- Flow rate: 0.5 gpm (1.9 lpm)

General Installation/Operation/Maintenance Requirements

- Flush new cartridge at full flow for 3 minutes to purge out trapped air.
- Replace cartridge when the indicator light flashes or water flow rate is reduced on non-indicator units.

Special Notices

- Installation instructions, parts and service availability, and standard warranty are included with the product when shipped.
- This drinking water system must be maintained according to manufacturer’s instructions, including replacement of filter cartridges.
- Do not use with water that is microbiologically unsafe or of unknown quality without adequate disinfection before or after the system. Systems certified for cyst reduction may be used on disinfected water that may contain filterable cysts.
- The contaminants or other substances removed or reduced by this water treatment system are not necessarily in your water.
- Check for compliance with the state and local laws and regulations.
- Note that while the testing was performed under standard laboratory conditions, actual performance may vary. Systems must be installed and operated in accordance with manufacturer’s recommended procedures and guidelines.

System Tested and Certified by NSF International against ANSI/NSF Standard 42 & 53 for the reduction of:	
Standard No. 42: Aesthetic Effects	Standard No. 53: Health Effects
Chemical Unit	Chemical Reduction Unit
Chlorine Taste and Odor	Alachlor and Atrazine Reduction
Mechanical Filtration Unit	Benzene and Carbofuran Reduction
Particulate Reduction, Class I	1,4 dichlorobenzene and 2,4-D Reduction
	Lead and Lindane Reduction
	Mercury and Toxaphene Reduction
	Mechanical Filtration Unit
	Turbidity Reduction
	Cyst and Asbestos Reduction



**Water Treatment Device
Certificate Number**

05 - 1698

Date Issued: February 2, 2005

Trademark/Model Designation

MWF

Replacement Elements

MWF

Manufacturer: General Electric Company

The water treatment device(s) listed on this certificate have met the testing requirements pursuant to Section 116830 of the Health and Safety Code for the following health related contaminants:

Microbiological Contaminants and Turbidity

Cysts
Turbidity

Inorganic/Radiological Contaminants

Asbestos
Lead
Mercury

Organic Contaminants

Alachlor
Atrazine
Benzene
Carbofuran
Lindane
Mercury
Toxaphene
1,4-dichlorobenzene
2,4-D

Rated Service Capacity: 300 gal

Rated Service Flow: 0.5 gpm

Conditions of Certification:

Do not use where water is microbiologically unsafe or with water of unknown quality, except that systems certified for cyst reduction may be used on disinfected waters that may contain filterable cysts.

Mesures de sécurité 42, 43

Fonctionnement

Congélateur 50
Entretien et nettoyage
du réfrigérateur 52, 53
Le filtre à eau 46
Les commandes 44-45
Machine à glaçons automatique 51
Options de stockage des produits frais . . 47-49
Remplacement des ampoules 54

Installation

Installation de la conduite d'eau 64-66
Installation du réfrigérateur 56-63
Préparation 55

Conseils de dépannage 67-70
Bruits normaux de fonctionnement 67

Soutien au consommateur

Feuillet de données relatives à la
performance de la cartouche 73
Garantie pour la clientèle au Canada 72
Soutien au consommateur 74

Transcrivez les numéros de modèle et de série ici :

de modèle _____

de série _____

Ils figurent sur l'étiquette qui se trouve à l'intérieur
du compartiment réfrigérateur - du côté gauche,
près du centre.

Mesures de sécurité
Fonctionnement
Installation
Conseils de dépannage
Soutien au consommateur

MESURES DE SÉCURITÉ IMPORTANTES. LISEZ D'ABORD TOUTES LES DIRECTIVES.

⚠ AVERTISSEMENT!

N'utilisez cet électroménager que pour l'usage auquel il est destiné, comme expliqué dans le présent manuel.



MESURES DE SÉCURITÉ

Lorsque vous utilisez un appareil électrique, observez toujours les mesures de sécurité de base, y compris les suivantes.

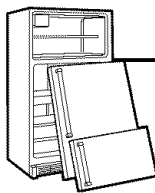
- Installez le réfrigérateur conformément aux directives d'installation avant de l'utiliser.
- Ne laissez pas les enfants grimper, s'asseoir, se tenir debout ni se pendre aux clayettes du réfrigérateur. Ils pourraient endommager le réfrigérateur et se blesser gravement.
- Ne touchez pas les surfaces froides du congélateur si vous avez les mains humides ou mouillées : la peau risque d'adhérer à ces surfaces très froides.
- N'entreposez et n'utilisez pas d'essence ou autres vapeurs et liquides inflammables à proximité de cet appareil ou de tout autre appareil électroménager.
- Si votre réfrigérateur est doté d'une machine à glaçons automatique évitez le contact avec les pièces mobiles du mécanisme éjecteur, ou avec l'élément chauffant situé à la partie inférieure de la machine à glaçons. Ne posez pas les doigts ou les mains sur le mécanisme de la machine à glaçons pendant que le réfrigérateur est branché.
- Éloignez les doigts des parties du réfrigérateur où l'on peut facilement se pincer : les espaces entre les portes et entre les portes et les placards sont toujours étroits. Soyez prudent lorsque vous fermez les portes de l'appareil en présence des enfants.
- Débranchez votre réfrigérateur avant de le nettoyer ou de le réparer.

REMARQUE : Nous vous recommandons vivement de confier toute réparation à un technicien qualifié.

- Ne recongelez pas les aliments surgelés qui ont complètement dégelé.

⚠ DANGER! RISQUES POUR LES ENFANTS

COMMENT VOUS DÉBARRASSER CONVENABLEMENT DE VOTRE ANCIEN RÉFRIGÉRATEUR



Les enfants pris au piège ou morts d'asphyxie sont toujours d'actualité. Les réfrigérateurs abandonnés sont toujours aussi dangereux, même si on n'attend que «quelques jours» pour s'en débarrasser. Si vous ne gardez pas votre ancien réfrigérateur, veuillez suivre les directives ci-dessous afin de prévenir les accidents.

Avant de vous débarrasser de votre ancien réfrigérateur ou congélateur :

- Démontez les portes.
- Laissez les clayettes en place afin d'empêcher les enfants de grimper à l'intérieur.

Réfrigérants

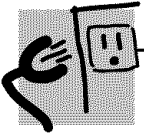
Tous les appareils de réfrigération contiennent des réfrigérants qui, conformément aux lois fédérales, doivent être enlevés avant toute élimination de l'appareil. Si vous vous débarrassez de vieux appareils de réfrigération, vérifiez, auprès de la société qui s'occupe de leur élimination, ce que vous devez faire.

CORDONS PROLONGATEURS

Nous vous recommandons fortement de ne pas utiliser de cordons prolongateurs à cause des risques potentiels qu'ils présentent dans certaines conditions.

Toutefois si vous décidez d'utiliser tout de même un cordon prolongateur, il est absolument nécessaire qu'il s'agisse d'un cordon à 3 fils avec mise à la terre pour appareils électroménagers homologué UL (aux États-Unis) ou certifié CSA (au Canada), pourvu d'une fiche et d'une prise mises à la terre de 15 ampères (minimum) et de 120 volts.

⚠ AVERTISSEMENT!



RACCORDEMENT ÉLECTRIQUE

Ne coupez ni retirez en aucun cas la troisième broche (mise à la terre) de la fiche du cordon d'alimentation. Pour votre sécurité, cet appareil doit être correctement mis à la terre.

Le cordon d'alimentation de cet appareil est muni d'une fiche à 3 broches (mise à la terre) qui se branche dans une prise murale ordinaire à 3 alvéoles (mise à la terre) pour réduire au minimum les risques de chocs électriques.

Faites examiner la prise de courant et le circuit par un électricien qualifié pour vous assurer que la prise est correctement mise à la terre.

Si la prise murale est du type standard à 2 alvéoles, il vous incombe de la faire remplacer par une prise à 3 alvéoles correctement mise à la terre.

Le réfrigérateur doit toujours être branché dans sa propre prise de courant, dont la tension nominale est identique à celle indiquée sur la plaque signalétique.

Cette précaution est recommandée pour garantir un rendement optimum et éviter une surcharge des circuits électriques de la résidence, ce qui pourrait créer un risque d'incendie par surchauffe des fils.

Ne débranchez jamais le réfrigérateur en tirant sur le cordon d'alimentation. Saisissez fermement la fiche du cordon et tirez droit pour la retirer de la prise.

Réparez ou remplacez immédiatement tout cordon effiloché ou endommagé. N'utilisez pas un cordon fendillé ou présentant des signes d'usure.

Lorsque vous déplacez votre réfrigérateur du mur, faites attention de ne pas le faire rouler sur le cordon d'alimentation afin de ne pas l'endommager.

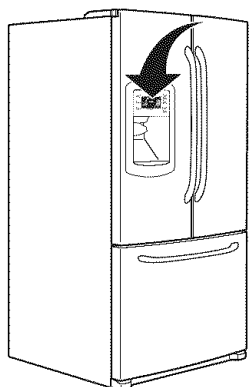


VEUILLEZ LIRE ET SUIVRE ATTENTIVEMENT CES MESURES DE SÉCURITÉ.

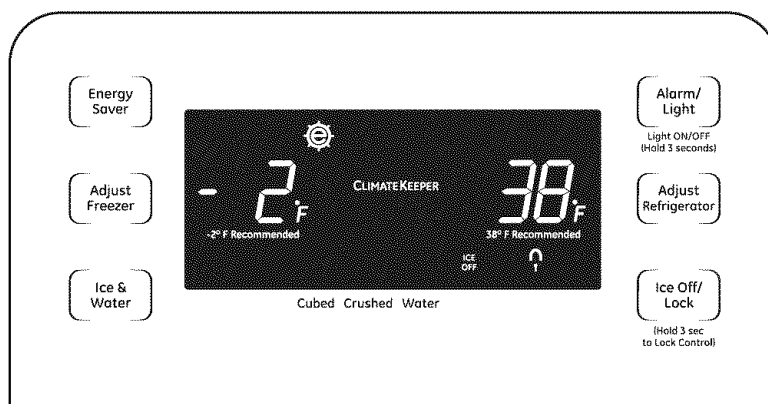
CONSERVEZ CES DIRECTIVES

Les commandes avec réglages de température.

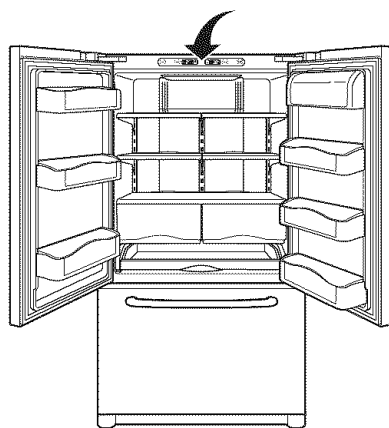
Toutes les options ne sont pas disponibles sur tous les modèles. Les commandes de votre appareil se présenteront ainsi :



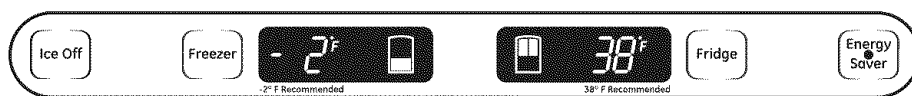
Localisation des Commandes du Distributeur



Modèles du Distributeur



Localisation des Commandes Internes



Modèles du Commandes Interne

NOTE : Le réfrigérateur est expédié avec une pellicule de protection couvrant les commandes de température. Si cette pellicule n'a pas été retirée au cours de l'installation faites-le maintenant.

La température est pré-réglée à l'usine au numéro **38° F** pour le compartiment réfrigérateur et **-2° F** pour le compartiment congélateur. Attendez 24 heures que la température se stabilise aux températures recommandées pré-réglées.

Le réglage de température peut indiquer la température **SET** (réglée) ainsi que la température réelle dans le compartiment réfrigération et dans le compartiment congélation. La température **SET** (réglée) peut varier légèrement de la température réelle, selon l'utilisation et les conditions de fonctionnement.

Changement de la température

Modèles du distributeur :

Adjust Freezer

Pour modifier la température, appuyez et relâchez le bouton **Adjust Freezer** (réglage congélateur) ou **Adjust Refrigerator** (réglage réfrigérateur). L'affichage indiquera la température actuelle. Appuyez brièvement sur la touche **Adjust Freezer** (réglage congélateur) ou **Adjust Refrigerator** (réglage réfrigérateur) jusqu'à ce que la température désirée apparaisse.

Adjust Refrigerator

Une fois la température souhaitée affichée, après 10 secondes, la température affichée retournera à celle du réfrigérateur et du congélateur. Plusieurs ajustements peuvent être nécessaires.

Chaque fois que vous ajustez les commandes, laissez passer 24 heures pour que le réfrigérateur atteigne la température que vous avez sélectionnée.

Modèles du commandes interne :

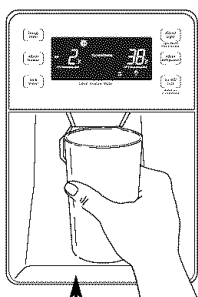
Freezer

Pour modifier la température, appuyez puis relâchez la touche **Freezer** (Congélateur) ou **Fridge** (Réfrigérateur). L'affichage vous indiquera la température actuelle. Appuyez brièvement sur la touche **Freezer** (Congélateur) ou **Fridge** (Réfrigérateur) jusqu'à ce que la température désirée apparaisse.

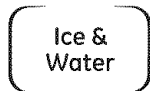
Une fois la température souhaitée réglée, après 10 secondes, l'affichage reviendra à la température actuelle du réfrigérateur et du congélateur. Plusieurs ajustements peuvent être nécessaires.

Chaque fois que vous ajustez les commandes, laissez passer 24 heures pour que le réfrigérateur atteigne la température que vous avez sélectionnée.


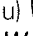

Fridge



Bac de trop-plein



Pour utiliser le distributeur (sur certains modèles)

Sélectionnez **Cubed Ice** (glaçon) , **Crushed Ice** (glace pilée)  ou **Water** (eau)  en appuyant sur la touche **Ice & Water** (glace & eau).

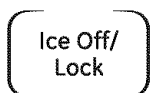
Appuyez doucement le verre contre le haut du berceau du distributeur.

Le bac de récupération ne se vide pas tout seul. Pour réduire les éclaboussures d'eau, le bac doit être régulièrement nettoyé.

Si rien ne sort du distributeur lors de la première installation du réfrigérateur, c'est qu'il peut exister de l'air dans le circuit d'eau. Appuyez sur le bras du distributeur pendant au moins deux minutes pour éliminer l'air prisonnier du circuit d'eau et remplir le système d'eau. Pour vidanger les impuretés du circuit d'eau, jetez les six premiers verres pleins d'eau.

⚠ MISE EN GARDE :

N'introduisez jamais vos doigts ou tout autre objet dans l'ouverture de sortie du broyeur de glace.

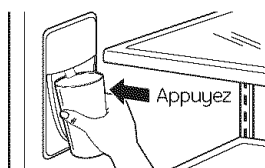


(Hold 3 sec to Lock Control)

Pour verrouiller et déverrouiller le distributeur (sur certains modèles)

Pour le verrouiller, appuyez sur la touche **Ice Off/Lock** (glace désactivée/verrouillage) et tenez-la appuyée pendant 3 secondes.

Répétez cette étape pour déverrouiller le distributeur.



Distributeur d'Eau Interne (sur certains modèles)

Pour utiliser le distributeur d'eau interne, placez un verre sous la sortie d'eau et appuyez doucement contre le distributeur avec votre verre.

Consignes importantes pour votre distributeur

- N'ajouter pas la glace en provenance des tiroirs ou des paniers dans le bac de stockage. Elle peut ne pas se broyer ou être mal distribuée.
- Évitez de trop remplir le verre avec de la glace et d'utiliser des verres étroits. La glace refoulée peut se coincer dans la goulotte ou provoquer le gel de la porte de la goulotte en position fermée. Si de la glace bloque la goulotte, faites-la passer avec une cuillère en bois.
- Boissons et aliments ne doivent pas être rafraîchis rapidement dans le bac de stockage à glace. Des canettes, des bouteilles ou des paquets d'aliments dans le tiroir de stockage peuvent provoquer le bourrage de la machine à glaçons ou de la grille.
- Pour éviter que la glace distribuée ne tombe hors du verre, placez le verre à proximité de l'ouverture du distributeur, mais sans le toucher.
- Un peu de glace pilée peut être distribuée, même si vous avez sélectionné **Cubed Ice** (glaçon). Cela se produit occasionnellement lorsque quelques glaçons sont envoyés directement dans le broyeur par inadvertance.
- Après une distribution de glace pilée, un peu d'eau peut sortir de la goulotte.
- Parfois, un petit monticule de neige se forme sur la porte de la goulotte. C'est normal et cela se produit généralement lorsque vous avez distribué de la glace pilée de manière répétée. La neige s'évaporerait toute seule.



Light ON/OFF (Hold 3 seconds)

Alarme de porte (sur certains modèles)

L'alarme de porte sonne si l'une des portes est ouverte pendant plus de 3 minutes. La sonnerie s'arrête quand vous fermez la porte.

L'éclairage du distributeur (sur certains modèles)

Appuyez sur la touche **Alarm/Light** (alarme/éclairage) et tenez-la appuyée pendant 3 secondes pour **activer** l'éclairage du distributeur. Pour le **désactiver**, appuyez sur la même touche et tenez-la appuyée pendant 3 secondes.

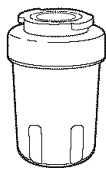


L'économiseur d'énergie

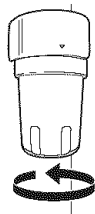
Votre appareil est équipé d'un mécanisme économiseur d'énergie. Le réfrigérateur est livré avec cet économiseur d'énergie activé. Avec le temps, il peut se former de l'humidité sur la surface avant du compartiment réfrigération, qui peut entraîner de la rouille.

S'il apparaît de l'humidité sur la surface avant du compartiment réfrigération, **éteignez** l'économiseur d'énergie en appuyant, puis relâchant la touche **Energy Saver** (économiseur d'énergie) du panneau de contrôle.

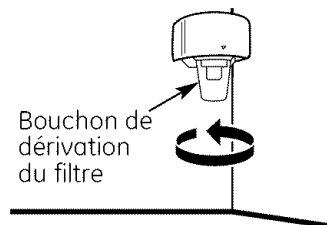
Le filtre à eau.



Support de cartouche



Bouchon de dérivation du filtre



Cartouche du filtre à eau

La cartouche du filtre à eau se trouve dans le coin droit arrière supérieur du compartiment réfrigérateur.

Remplacement du filtre

La cartouche du filtre doit être remplacée tous les six mois ou quand le débit d'eau du distributeur ou de la machine à glaçons diminue.

Installation de la cartouche du filtre à eau

- 1 Si vous remplacez la cartouche, d'abord enlevez la vieille cartouche en la tournant doucement dans le sens contraire des aiguilles d'une montre. Une petite quantité d'eau peut s'en échapper.

⚠ MISE EN GARDE : *S'il y a de l'air piégé dans le système, la cartouche de filtre peut être éjectée pendant qu'elle est enlevée. Procédez avec soin pour l'enlever.*

- 2 Enlevez la feuille de protection de l'extrémité de la cartouche.
- 3 En alignant les flèches de la cartouche et du boîtier de cartouche, placez le haut de la nouvelle cartouche à l'intérieur du support. Ne l'insérez pas de force dans le support. Tournez doucement la cartouche dans le sens des aiguilles d'une montre jusqu'à ce qu'elle s'arrête. Pendant sa rotation, la cartouche atteindra elle-même sa position. La cartouche tournera d'environ 1/4 de tour. **Ne serrez pas trop fort.**
- 4 Faites couler de l'eau du distributeur pendant 3 minutes (environ 5 litres) pour purger le système et empêcher les pulvérisations. Consultez la section *Utilisation du distributeur*.

NOTE : Une cartouche de filtre à eau nouvellement installée **peut occasionner un jet d'eau** du distributeur.

Bouchon de dérivation du filtre

Il faut utiliser le bouchon de dérivation du filtre lorsqu'une cartouche de remplacement n'est pas disponible. Le distributeur et la machine à glaçons ne peuvent pas fonctionner sans le filtre ou sans le bouchon de dérivation du filtre.

Filtres de remplacement :

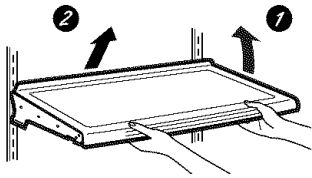
Pour commander des cartouches supplémentaires, visitez notre site Web à l'adresse www.electromenagersge.ca, ou appelez le Service des pièces et accessoires au 888.261.3055.

Modèle MWF

Les clients au Canada devraient consulter les pages jaunes pour connaître la succursale Mabe la plus près.

Mise en place des clayettes

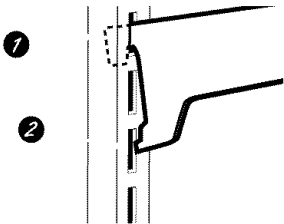
Les clayettes du réfrigérateur sont réglables.



Enlèvement :

- 1 Enlevez tous les articles de la clayette.
- 2 Soulevez la clayette à l'avant.
- 3 Soulevez la clayette à l'arrière et faites-la sortir.

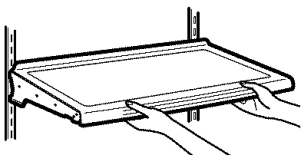
Remise en place :



- 1 En faisant basculer la clayette vers le haut, insérez le crochet supérieur à l'arrière de la clayette dans une fente du rail.
- 2 Abaissez le devant de la clayette jusqu'à ce que le bas de la clayette se fixe en place.

Clayettes anti-déversement

Les clayettes anti-déversement ont des bords spéciaux pour empêcher tout déversement aux clayettes inférieures.

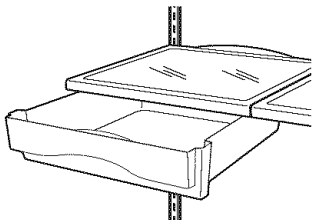


Bac à casse-croûte à positionnement variable

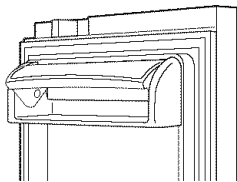
La position de ce bac à casse-croûte est réglable et peut être modifiée comme pour les autres clayettes.

Pour l'enlever :

- 1 Faites glisser le bac jusqu'à sa position d'arrêt.
- 2 Soulevez le bac pour lui faire dépasser sa position d'arrêt.



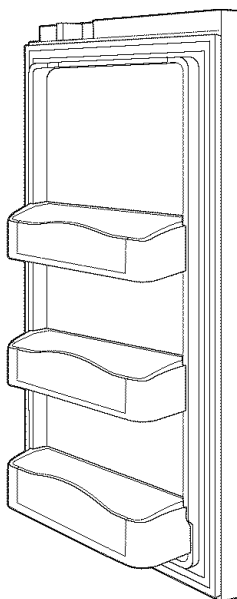
Options de stockage des produits frais.



Bac non réglable à produits laitiers

Enlèvement : Soulevez le bac à produits laitiers vers le haut, puis enlevez-le.

Remise en place : Insérez le bac dans les soutiens moulés de la porte et poussez-le vers le bas. Le bac se verrouillera en place.



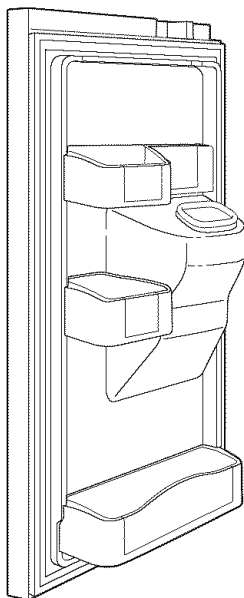
Bacs réglables de porte

Vous pouvez facilement transporter les bacs réglables du réfrigérateur à votre surface de travail.

Enlèvement : Soulevez l'avant du bac droit vers le haut, puis enlevez en soulevant.

Remise en place ou changement de place : Faites glisser le bac juste au-dessus des soutiens moulés de la porte et poussez vers le bas. Le bac se verrouillera en place.

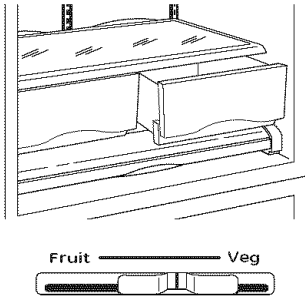
NOTE : Sur les modèles sans garde-mange complet, la location du bac de porte inférieur est non-réglable.



Bacs non-réglables de porte (sur certains modèles)

Enlèvement : Soulevez le bac droit vers le haut, puis enlevez en soulevant.

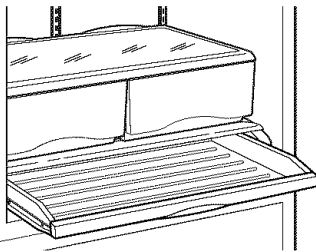
Remise en place : Engagez le bac dans les soutiens moulés de la porte et poussez vers le bas. Il se fixera en place.



Bacs à fruits et légumes

Organisez les fruits et les légumes dans les compartiments séparés pour l'accès facile.

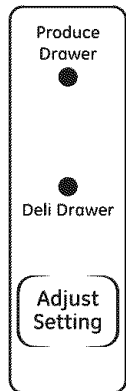
Vous devez bien essuyer toute eau en excès qui peut s'accumuler au fond des bacs ou en dessous des bacs.



Tiroir réglable à produits/épicerie fine (sur certains modèles)

Le tiroir réglable à produits/épicerie fine est un tiroir de grande largeur avec un contrôle de température réglable. Ce tiroir peut être utilisé pour une variété de grands articles.

Il existe un contrôle de température qui peut régler la quantité d'air froid permise dans le tiroir.



Contrôle

Lorsque **Produce Drawer** (tiroir produits) est sélectionné, la température du tiroir peut être maintenue à 38° F (3° C) environ. Cette fonctionnalité permet de conserver des produits frais pendant longtemps.

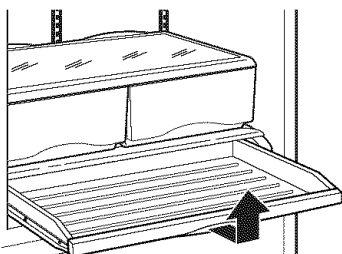
Lorsque **Deli Drawer** (tiroir épicerie fine) est sélectionné, la température du tiroir peut être maintenue à 34° F (1° C) environ. Cette fonctionnalité permet de conserver de la viande fraîche ou du poisson frais pendant longtemps.

NOTE : Les fruits et les légumes peuvent être endommagés par l'utilisation du réglage **Deli Drawer** (tiroir épicerie fine). Ne stockez pas de laitue ou d'autres produits à feuilles dans ce tiroir.

⚠ MISE EN GARDE :

Ne stockez pas de bouteilles en verre dans ce tiroir. Si elles gèlent, elles peuvent se casser et blesser quelqu'un.

Le contrôle est situé sur le côté droit du tiroir.



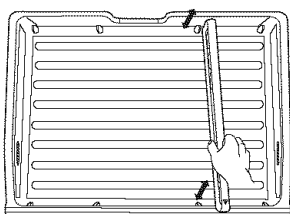
Comment démonter et remonter le tiroir réglable à produits/épicerie fine

Enlèvement :

- 1 Sortez le tiroir jusqu'à sa position d'arrêt.
- 2 Soulevez l'avant du tiroir vers le haut et l'extérieur.

Remise en place :

- 1 Soulevez le couvercle vers le haut.
- 2 Insérez les roulettes dans les rails latéraux.
- 3 Poussez le tiroir vers l'intérieur (jusqu'à ce qu'il soit en place).



Comment démonter et remonter le séparateur de tiroir

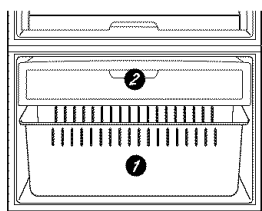
Enlèvement :

- 1 Sortez le tiroir jusqu'à sa position d'arrêt.
- 2 Levez l'avant du séparateur pour le déloger de la paroi arrière du tiroir.

Remise en place :

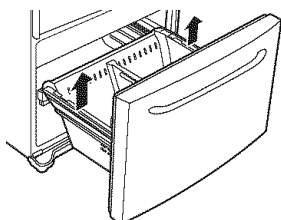
- 1 Insérez l'arrière du séparateur dans la paroi arrière du tiroir.
- 2 Poussez le séparateur vers le bas.

Congélateur.



Panier et tiroir du compartiment congélation

- 1 Panier.
- 2 Tiroir.



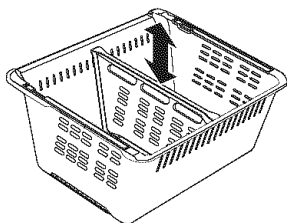
Enlèvement du panier

Enlèvement :

- 1 Enlevez le bac du congélateur. (Voir ci-dessous.)
- 2 Sortez le panier jusqu'à sa position d'arrêt.
- 3 Inclinez vers le haut l'arrière du bac.
- 4 Soulevez-le pour l'enlever.

Remise en place :

- 1 Placez le panier dans l'assemblage des rails.



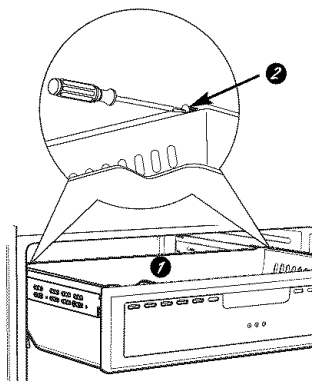
Démontage du séparateur de panier

Enlèvement :

- 1 Sortez le panier jusqu'à sa position d'arrêt.
- 2 Inclinez vers le haut l'arrière du bac.
- 3 Soulevez-le pour l'enlever.

Remise en place :

- 1 Insérez les coins supérieurs du séparateur dans les trous du panier.



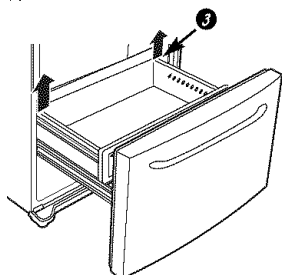
Enlèvement du tiroir

Enlèvement :

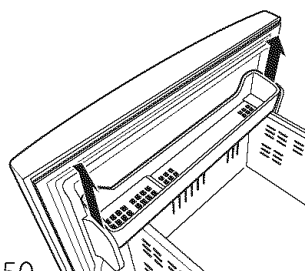
- 1 Déboîtez le tiroir hors de sa position d'arrêt.
- 2 Enlevez les deux ergots latéraux avec un tournevis à tête plate (comme montré à gauche).
- 3 Inclinez vers le haut derrière du tiroir et sortez-le en le soulevant.

Remise en place :

- 1 Sortez les rails jusqu'à leur position d'arrêt.
- 2 Placez le tiroir sur les rails et insérez le support dans les fentes situées sur le côté du tiroir.
- 3 Remplacez les ergots latéraux et poussez le tiroir en place.



⚠ AVERTISSEMENT : Faites attention de ne pas perdre les ergots latéraux pendant le démontage, car ils peuvent présenter un risque d'étranglement pour les enfants.

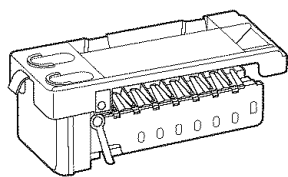


Bac non réglable du congélateur

Enlèvement : Tirez les supports vers le haut jusqu'à ce que vous entendiez un clic, puis enlevez le bac.

Remise en place : Insérez les extrémités du bac dans les deux supports et poussez-le vers le bas jusqu'à ce que le bac se verrouille en place.

Il faut prévoir entre 12 et 24 heures avant qu'un réfrigérateur nouvellement installé commence à produire des glaçons.



Ice Off/
Lock

Ice Off

Machine à glaçons automatique

La machine à glaçons produit sept glaçons par cycle, soit environ 100 à 130 glaçons par 24 heures, selon la température du compartiment congélation, la température de la pièce, le nombre de fois que la porte est ouverte et les autres conditions d'utilisation.

Si vous faites fonctionner le réfrigérateur avant de raccorder l'eau à la machine à glaçons, appuyez et relâchez la touche **Ice Off/Lock** (glace désactivée/verrouillage) ou la touche **Ice Off** (glace désactivée) du panneau de commande pour déconnecter la machine à glaçons.

Lorsque le réfrigérateur est raccordé à l'alimentation d'eau, appuyez et relâchez la touche **Ice Off/Lock** (glace désactivée/verrouillage) ou la touche **Ice Off** (glace désactivée) du panneau de commande pour connecter la machine à glaçons.

Un réfrigérateur nouvellement installé prend de 12 à 24 heures pour commencer à produire des glaçons.

Vous entendrez un bourdonnement chaque fois que la machine à glaçons se remplit d'eau.

Jetez les premiers lots de glaçons pour permettre à la conduite d'eau de se purger. Assurez-vous que rien ne gêne la course du bras palpeur.

Quand le bac se remplit jusqu'au niveau du bras palpeur, la machine à glaçons s'arrête de produire des glaçons. Il est normal de trouver des glaçons qui soient soudés ensemble.

Si vous n'utilisez pas souvent vos glaçons, les vieux glaçons deviennent opaques, prennent un mauvais goût et rétrécissent.

NOTE : Dans les maisons qui ont une pression d'eau plus faible que la moyenne, vous pouvez entendre la machine à glaçons recommencer plusieurs fois son cycle pour produire une livraison de glaçons.

NOTE : Activez la fonctionnalité **Ice Off** (glace désactivée) si l'alimentation d'eau est coupée.

Entretien et nettoyage de votre réfrigérateur.

Nettoyage de l'extérieur

Les poignées de porte et les garnitures.

Nettoyez avec un linge trempé dans de l'eau savonneuse. Séchez avec un linge doux. N'appliquez pas de cire sur les poignées et les garnitures de porte.

Conservez l'extérieur propre. Essuyez avec un linge propre légèrement humecté de cire à appareil électroménager ou de détergent liquide à vaisselle doux. Séchez et polissez avec un linge doux, propre.

N'essuyez jamais votre réfrigérateur avec un torchon sale ou une serviette mouillée. Cela peut laisser un résidu qui risque d'endommager la peinture. N'utilisez jamais de tampon à récurer, de nettoyant en poudre, d'eau de javel ou de produit nettoyant contenant un agent de blanchiment, car ces produits peuvent rayer et endommager la peinture.

Vous pouvez nettoyer les panneaux et les poignées de porte en acier inoxydable

(sur certains modèles) avec un nettoyant d'acier inoxydable vendu sur le marché. Il vaut mieux utiliser un produit de nettoyage vaporisé pour acier inoxydable.

N'utilisez pas de cire pour appareils ménagers sur l'acier inoxydable.

Pièces en matière plastique plaquée argent.

Lavez ces pièces avec du savon ou un autre détergent doux. Essuyez avec une éponge, un linge humide ou une serviette en papier.

Ne frottez jamais avec des tampons en laine d'acier ou d'autres nettoyants abrasifs.

Nettoyage de l'intérieur

Pour aider à empêcher les odeurs, laissez une boîte ouverte de bicarbonate de soude dans les compartiments réfrigération et congélation.

Débranchez votre réfrigérateur avant de le nettoyer. Si ce n'est pas pratique, enlevez toute humidité au moyen d'une éponge ou d'un chiffon pour nettoyer autour des commutateurs, des lumières ou des réglages.

Utilisez une cire pour appareils électroménagers sur la surface intérieure entre les portes.

Utilisez une solution d'eau chaude et de bicarbonate de soude (15 ml [soit une cuillère à soupe environ] de bicarbonate de soude dans 1 litre [soit une pinte] d'eau). Cette solution nettoie tout en neutralisant les odeurs. Rincez et séchez en essuyant.

Après avoir nettoyé les joints de porte, appliquez une fine couche de vaseline sur les joints du côté des charnières pour empêcher les joints de coller et de se déformer.

Évitez de nettoyer les clayettes froides en verre à l'eau chaude, parce qu'elles risquent de se casser à cause de la grande différence de températures. Manipulez avec soins le verre. Vous pouvez briser en éclats le verre trempé en le heurtant.

Ne lavez aucune pièce en matière plastique de votre réfrigérateur dans votre machine à laver la vaisselle.

Pièces en matière plastique plaquée argent.

Lavez ces pièces dans de l'eau savonneuse. Essuyez avec une éponge, un linge humide ou une serviette en papier.

Ne frottez jamais avec des tampons en laine d'acier ou d'autres nettoyants abrasifs.

Derrière le réfrigérateur

Prenez un soin particulier lorsque vous éloignez le réfrigérateur du mur. Tous les types de revêtements de sol peuvent être endommagés, particulièrement ceux qui sont coussinés ou dont la surface est gaufrée.

Soulevez les pieds d'inclinaison situés en bas à l'avant de votre réfrigérateur. Consultez *Mettez le réfrigérateur de niveau* dans la section *Instructions d'installation* pour les détails de nivellement de pieds

Tirez le réfrigérateur en ligne droite et, lorsque vous le remettez en place, poussez-le vers le mur en ligne droite. Les déplacements

latéraux du réfrigérateur pourraient endommager le revêtement de sol ou le réfrigérateur.

Abaissez les pieds d'inclinaison jusqu'à ce qu'ils touchent le sol.

Lorsque vous remettez le réfrigérateur en place en le poussant, veillez à ne pas le faire rouler sur le cordon d'alimentation ou sur la conduite d'eau de la machine à glaçons (sur certains modèles) et assurez-vous que le support du mécanisme anti-basculement soit engagé (si votre réfrigérateur est ainsi équipé).

Départ en vacances




Lorsque vous vous absentez pendant une période prolongée, videz et débranchez le réfrigérateur. Nettoyez l'intérieur avec une solution d'eau et de bicarbonate de soude, à raison 15 ml (d'une cuillère à soupe) de bicarbonate par litre (1 pinte) d'eau. Laissez les portes ouvertes.

Appuyez et relâchez la touche **Ice Off/Lock** (glace désactivée/verrouillage) ou la touche **Ice Off** (glace désactivée) sur le panneau de contrôle pour désengager la machine à glaçons.

Si la température risque de descendre sous le point de congélation, demandez à un réparateur de vidanger la conduite d'eau afin d'éviter les dégâts sérieux causés par les inondations.

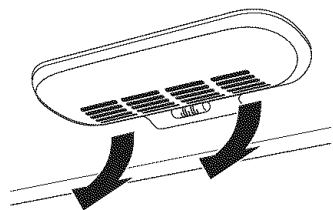
Déménagement

Immobilisez tous les éléments amovibles, tels que les clayettes et les bacs, à l'aide de ruban gommé pour éviter de les endommager.

Si vous utilisez un charriot pour déménager le réfrigérateur, ne laissez jamais le devant ou le derrière du réfrigérateur reposer contre le charriot. Cela pourrait endommager le réfrigérateur. Ne transportez le réfrigérateur que par les côtés.

Assurez-vous que le réfrigérateur demeure debout pendant son déménagement.

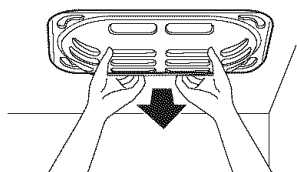
Remplacement des ampoules.



Lumières du compartiment réfrigération

- 1 Débranchez le cordon d'alimentation de la prise.
- 2 Faites tourner le capot tout en appuyant sur les deux languettes à l'arrière pour l'enlever.
- 3 Tournez l'ampoule dans le sens contraire des aiguilles d'une montre.
- 4 Remplacez-la par une ampoule de la même puissance ou inférieure.
- 5 Remplacez le capot.
- 6 Rebranchez le réfrigérateur.

NOTE : Les ampoules Reveal® peuvent être commandées au service après-vente GE, au 800.626.2002.



Lumière du compartiment congélation

⚠ MISE EN GARDE :

Les ampoules électriques peuvent être brûlantes.

- 1 Débranchez le cordon d'alimentation de la prise.
- 2 Sortez le tiroir jusqu'à sa position d'arrêt.
- 3 Faites tourner le capot tout en le poussant vers l'arrière pour l'enlever.
- 4 Tournez l'ampoule dans le sens contraire des aiguilles d'une montre.
- 5 Remplacez-la par une ampoule de la même puissance ou inférieure.
- 6 Remplacez le capot.
- 7 Rebranchez le réfrigérateur.

NOTE : Les ampoules Reveal® peuvent être commandées au service après-vente GE, au 800.626.2002.

Instructions d'installation

Réfrigérateur

Modèle 26

Questions? Appelez le 1.800.561.3344 ou Visitez notre site Web à l'adresse : www.electromenagersge.ca

AVANT DE COMMENCER

Veillez lire toutes les directives attentivement.

- **IMPORTANT** — Conservez ces instructions pour l'inspecteur local.
- **IMPORTANT** — Respectez toutes les ordonnances et les codes locaux.
- **Note à l'installateur** – Assurez-vous de laisser ces instructions au consommateur.
- **Note au consommateur** – Conservez ces instructions pour référence future.
- **Niveau de compétence** – L'installation de cet appareil nécessite des compétences mécaniques de base.
- **Temps d'installation** – Installation du réfrigérateur 20 minutes
Installation de la conduite d'eau 30 minutes
- L'installateur est responsable de bien installer ce réfrigérateur.
- Toute panne du produit due à une mauvaise installation n'est pas couverte par la garantie.

PRÉPARATION

DÉPLACEMENT DU RÉFRIGÉRATEUR À L'INTÉRIEUR DE LA MAISON

Si le réfrigérateur ne peut pas passer par la porte, vous pouvez enlever les portes du compartiment réfrigération et le tiroir du compartiment congélation.

- Pour enlever la porte du compartiment réfrigération, consultez la section *Installation du réfrigérateur*.
- Pour enlever le tiroir du compartiment congélation, consultez la section *Enlèvement du tiroir du compartiment congélation*.

PRÉPARATION (suite)

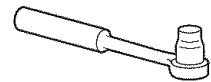
ALIMENTATION D'EAU DE LA MACHINE À GLAÇONS ET DU DISTRIBUTEUR

Si votre réfrigérateur est doté d'une machine à glaçons, la machine à glaçons doit être raccordée à une conduite d'eau froide. Vous pouvez acheter une trousse d'alimentation d'eau GE (contenant la tuyauterie, le robinet d'arrêt, les joints et les instructions) chez votre revendeur ou en vous adressant à notre site Web à l'adresse www.electromenagersge.ca ou à notre service de Pièces et accessoires au numéro de téléphone 1.888.261.3055.

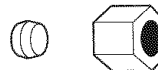
OUTILS DONT VOUS POUVEZ AVOIR BESOIN



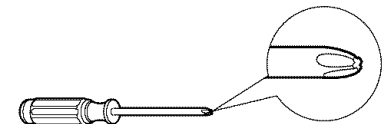
Clé réglable



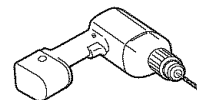
Tournevis à cliquet de 10 mm



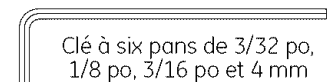
Écrou à compression d'un diamètre extérieur de 1/4 po et bague



Tournevis cruciforme



Perceuse à main ou électrique et mèche de 1/8 po



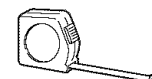
Clé à six pans de 3/32 po, 1/8 po, 3/16 po et 4 mm



Tournevis à tête plate



Crayon



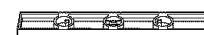
Mètre



Pincettes

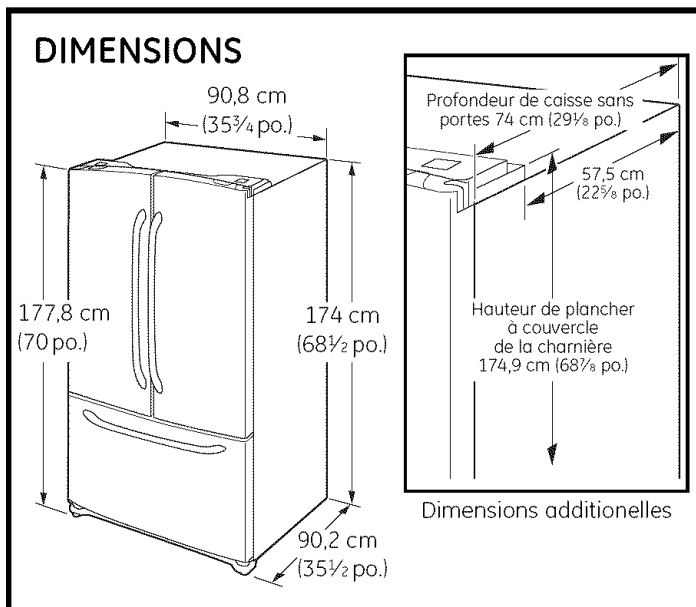


Tourne-écrou de 1/4 po



Niveau

INSTALLATION DU RÉFRIGÉRATEUR

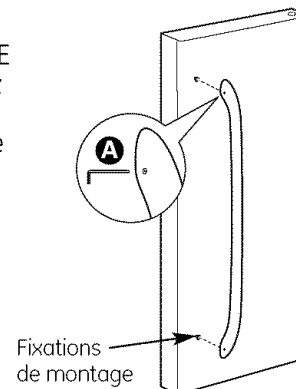


1 ENLEVEZ LA POIGNÉE DE PORTE DU COMPARTIMENT POUR ALIMENTS FRAIS

Poignée en acier inoxydable et en matière plastique :

- A** ENLÈVEMENT DE LA POIGNÉE DE PORTE : Desserrez les vis de l'ensemble à l'aide d'une clé Allen de 1/8 po. et enlevez la poignée.

NOTE : Si vous devez resserrer ou enlever les fixations de montage de la poignée, utilisez le tournevis cruciforme.



EMPLACEMENT DU RÉFRIGÉRATEUR

- N'installez jamais votre réfrigérateur dans un emplacement où la température ambiante sera inférieure à 16° C (60° F). Il ne se mettra pas en marche suffisamment souvent pour maintenir des températures convenables.
- N'installez jamais votre réfrigérateur dans un emplacement où la température ambiante sera supérieure à 37° C (100° F). Il ne fonctionnera pas bien.
- Installez votre réfrigérateur sur un plancher suffisamment solide pour le porter lorsqu'il est plein.

DÉGAGEMENTS

Prévoyez les dégagements suivants pour faciliter l'installation, la bonne circulation d'air et les raccordements de plomberie et d'électricité :

Côtés	3 mm (1/8 po.)
Dessus	25 mm (1 po.)
Arrière	25 mm (1 po.)

DÉMONTAGE DES PORTES DU RÉFRIGÉRATEUR

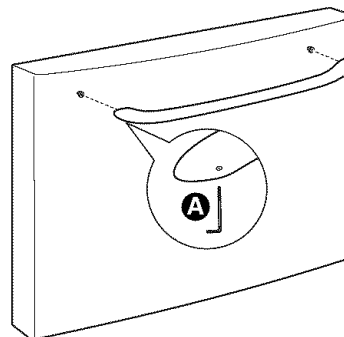
- **NOTE IMPORTANTE :** Ce réfrigérateur a une profondeur de 35,6 po. Les portes et les passages qui mènent à l'endroit où vous désirez l'installer doivent avoir une largeur du moins de 36 po., pour permettre de transporter le réfrigérateur jusqu'à cet endroit sans être obligé d'enlever les portes et les poignées. Si le passage a moins que 36 po. de largeur, vous risquez vraiment de rayer et d'endommager les portes et les poignées de votre réfrigérateur. Vous pouvez enlever facilement le capuchon du haut et les portes pour déplacer plus aisément le réfrigérateur chez vous. Commencez par l'étape 1.
- Si vous n'avez pas à enlever les portes, passez directement à l'étape 9. Laissez le ruban et tous les matériaux d'emballage sur les portes, jusqu'à ce que vous ayez déménagé le réfrigérateur dans son emplacement final.
- **NOTE :** Utilisez un chariot manuel rembourré pour déplacer le réfrigérateur. Placez le réfrigérateur sur le chariot manuel avec un côté contre le chariot. Nous vous recommandons vivement d'utiliser DEUX PERSONNES pour déplacer le réfrigérateur et l'installer.

2 ENLEVEZ LA POIGNÉE DE LA PORTE DU COMPARTIMENT CONGÉLATION

Poignées en acier inoxydable et en matière plastique :

- A** Desserrez les vis de l'ensemble situées en bas de la poignée à l'aide de la clé Allen de 1/8 po et enlevez la poignée.

NOTE : Si vous devez resserrer ou enlever les fixations de montage de la poignée, utilisez le tournevis cruciforme.

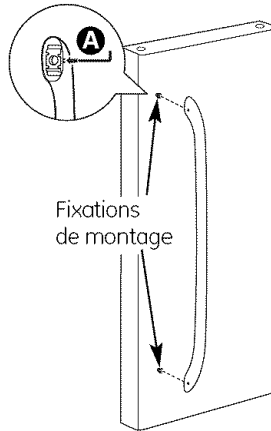


Instructions d'installation

3 FIXEZ LA POIGNÉE DE LA PORTE DU COMPARTIMENT ALIMENTS FRAIS

Poignée en acier inoxydable et en matière plastique :

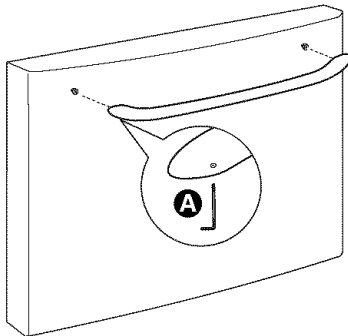
- A Fixez la poignée aux fixations de montage de la poignée et resserrez les vis de l'ensemble à l'aide d'une clé Allen de 1/8 po.



4 FIXEZ LA POIGNÉE DE LA PORTE DU COMPARTIMENT CONGÉLATION

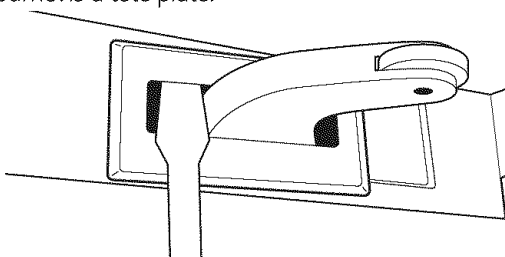
Poignées en acier inoxydable et en matière plastique :

- A Fixez bien la poignée aux fixations de montage de la poignée et resserrez les vis de l'ensemble situées en bas de la poignée à l'aide d'une clé Allen de 1/8 po.



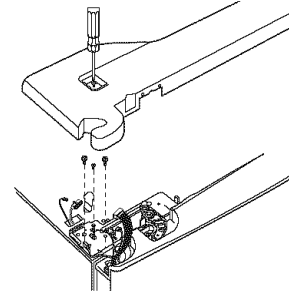
5 DÉMONTAGE DES PORTES DU RÉFRIGÉRATEUR

- A Ouvrez les portes du réfrigérateur.
- B Enlevez les deux capuchons rectangulaires avec un tournevis à tête plate.

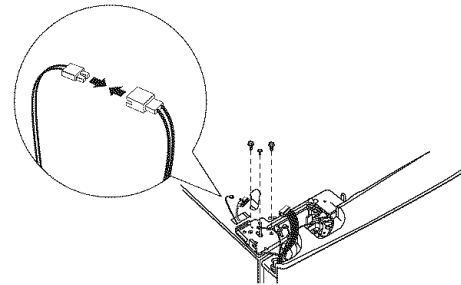


5 DÉMONTAGE DES PORTES DU RÉFRIGÉRATEUR (suite)

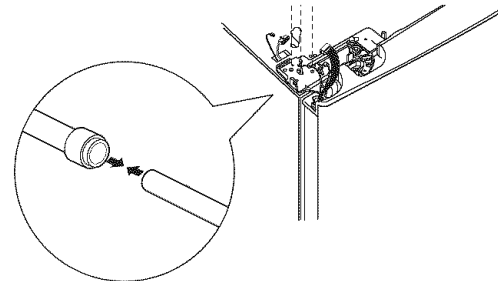
- C Enlevez les trois vis en haut avec un tournevis cruciforme.



- D Débranchez les deux connecteurs électriques.

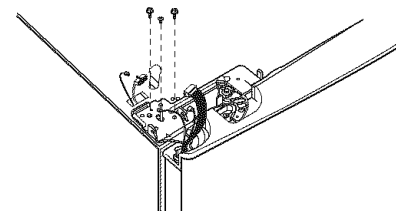


- E Pour débrancher l'alimentation d'eau, poussez sur la couleur grise du raccord et sortez la conduite.



- F Enlevez les deux câbles de terre avec un tournevis cruciforme.

- G Enlevez les trois boulons à tête hexagonale de 10 mm (droite et gauche).



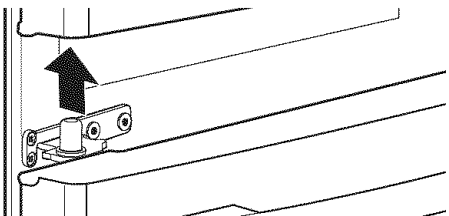
⚠ MISE EN GARDE : Lorsque les boulons sont enlevés, la porte peut tomber et blesser quelqu'un et/ou endommager la porte elle-même.

Instructions d'installation

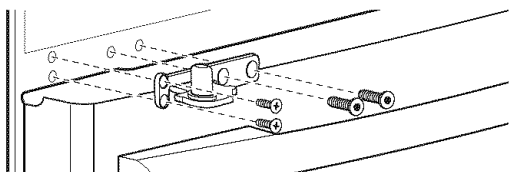
INSTALLATION DU RÉFRIGÉRATEUR (suite)

5 DÉMONTAGE DES PORTES DU RÉFRIGÉRATEUR (suite)

H Soulevez la porte vers le haut pour l'enlever.

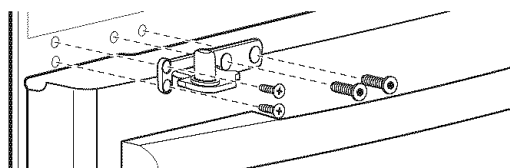


I Enlevez les deux boulons en utilisant une clé hexagonale de type Allen de 3/16" et les deux vis cruciformes de la charnière centrale. Mettez de côté la charnière, les boulons et les vis.

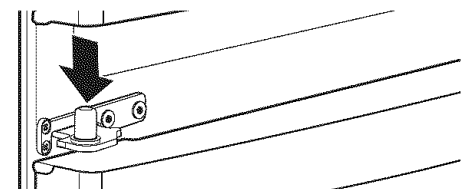


6 REMONTAGE DES PORTES DU RÉFRIGÉRATEUR

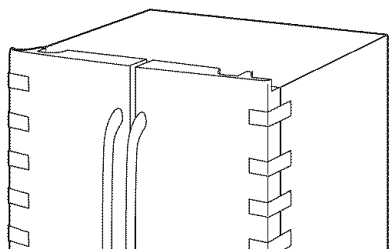
A Installez la charnière centrale de chaque côté.



B Descendez la porte du réfrigérateur sur la broche de la charnière centrale. Assurez-vous que le dé plastique de la broche de la charnière soit inséré sur la broche de la charnière centrale ou à l'intérieur du trou de la broche de la porte, situé dans le dessous de la porte.

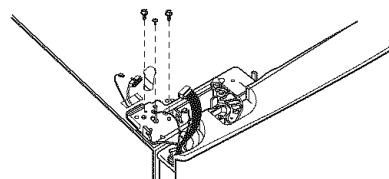


C Fixez la porte avec du ruban adhésif en position fermée ou demandez à une autre personne de tenir la porte.

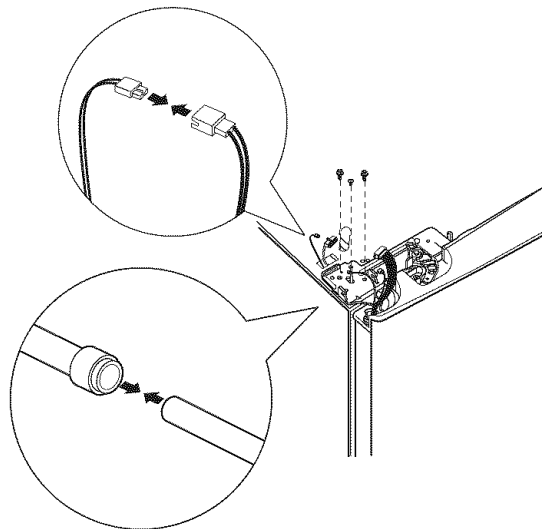


6 REMONTAGE DES PORTES DU RÉFRIGÉRATEUR (suite)

D Insérez la broche de la charnière supérieure dans le trou de charnière en haut de la porte du réfrigérateur. Assurez-vous que la porte est alignée avec le caisson et la porte opposée. Fixez la charnière en haut du caisson. Ne serrez pas complètement les boulons.



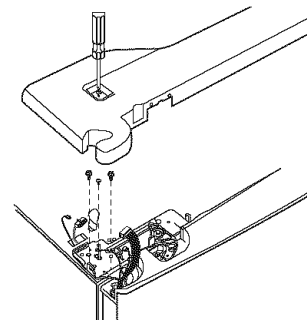
E Sur la porte de gauche, passez les fils et la conduite d'eau à travers la broche de la charnière supérieure. Puis raccordez la conduite d'eau et les deux connecteurs électriques.



F Fixez le fil de terre avec un tournevis cruciforme sur la charnière à gauche et à droite.

G Assurez-vous que le joint d'étanchéité sur la porte s'applique contre le caisson et qu'il n'est pas plié. Assurez-vous que la porte est droite et que l'espace entre les portes est le même sur toute la façade. Tout en tenant la porte alignée en place, serrez les boulons de la charnière supérieure.

H Rebranchez les deux connecteurs de chaque côté du capuchon supérieur et revissez les trois vis cruciformes en haut.

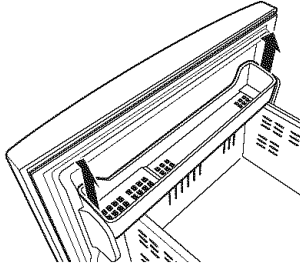


I Remplacez les capuchons rectangulaires que vous avez enlevés en Étape 5.

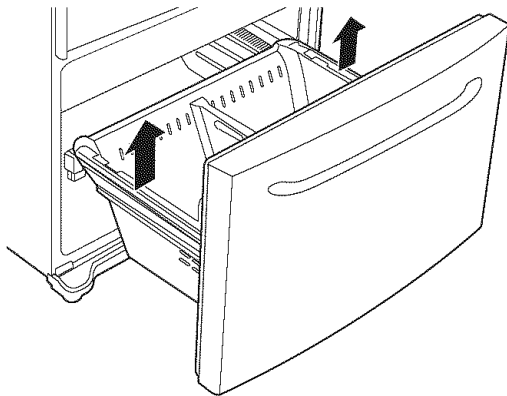
Instructions d'installation

7 DÉMONTAGE DE LA PORTE DU CONGÉLATEUR

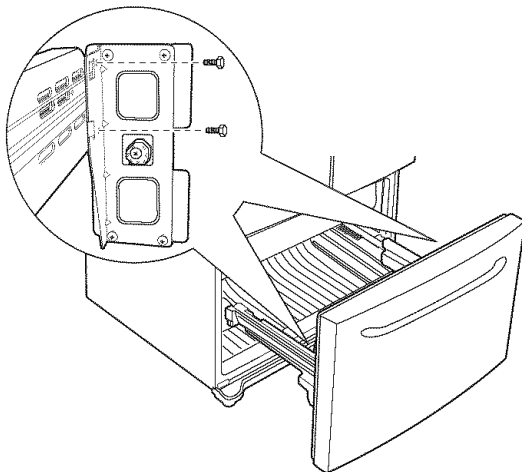
- A** Ouvrez à fond la porte du congélateur.
- B** Enlevez le bac du congélateur en tirant les deux supports vers le haut en même temps. (Voir page 50.)



- C** Enlevez le panier inférieur en le soulevant des rails. (Voir page 50.)

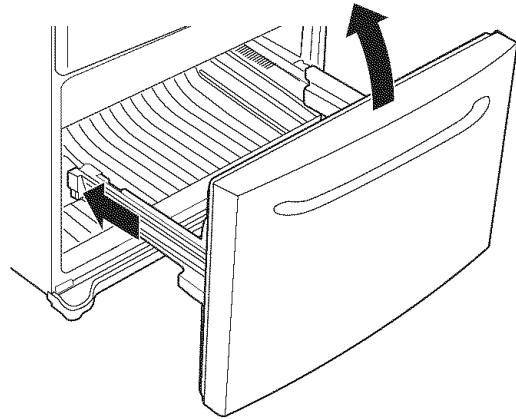


- D** Enlevez les deux boulons à tête hexagonale de 10 mm des côtés droit et gauche.



7 DÉMONTAGE DE LA PORTE DU CONGÉLATEUR (suite)

- E** Utilisez la pointe d'un tournevis pour séparer le rail du couvercle. Inclinez l'avant vers le haut et soulevez la porte entière.



- F** Placez la façade de la porte sur une surface non abrasive.
- G** Repoussez les assemblages de rail dans le caisson.

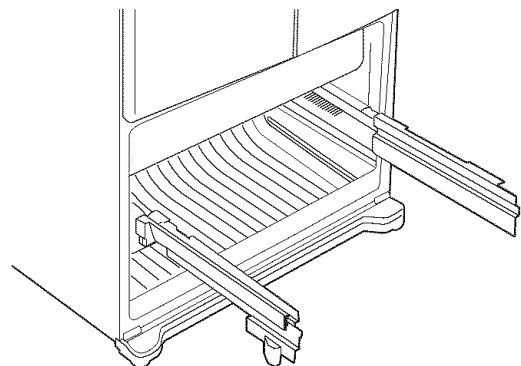
▲ MISE EN GARDE : Poussez les deux côtés des assemblages de rail en même temps.

8 REMONTAGE DE LA PORTE DU CONGÉLATEUR

Deux personnes peuvent être nécessaires pour achever cette procédure.

FIXEZ ET SERREZ L'AVANT DU TIROIR AUX GLISSIÈRES

- A** Sortez les assemblages de rail de toute leur longueur de chaque côté du caisson.

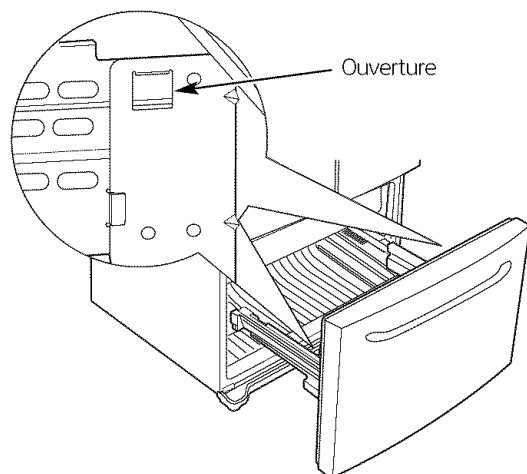


▲ MISE EN GARDE : Assurez-vous de sortir les rails latéraux à la même longueur.

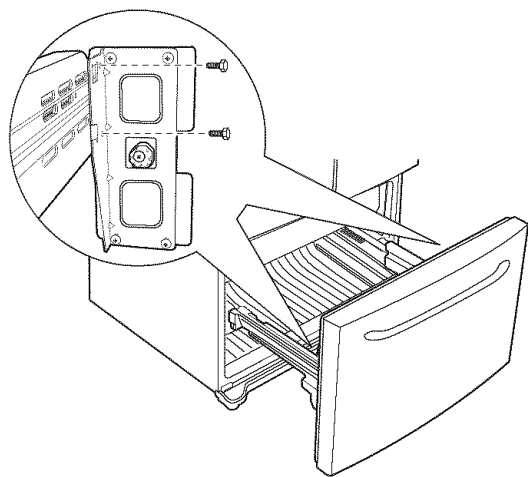
INSTALLATION DU RÉFRIGÉRATEUR (suite)

8 REMONTAGE DE LA PORTE DU CONGÉLATEUR (suite)

- B** Suspendez l'avant de la porte du congélateur sur les ouvertures des côtés.

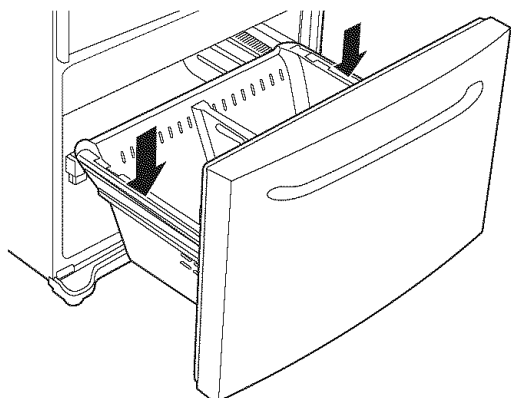


- C** Vissez les vis complètement. (Il s'agit des quatre boulons à tête hexagonale de 10 mm.)



REMISE EN PLACE DU PANIER DU CONGÉLATEUR

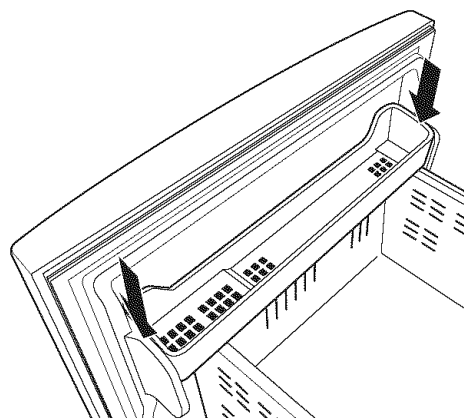
Remplacez le panier du congélateur en le descendant dans le cadre.



8 REMONTAGE DE LA PORTE DU CONGÉLATEUR (suite)

REMISE EN PLACE DU BAC DE CONGÉLATEUR

Insérez les extrémités du bac de congélateur dans les deux supports et poussez-le vers le bas jusqu'à ce qu'il se verrouille en place. (Voir page 50.)



9 BRANCHEMENT DU RÉFRIGÉRATEUR À LA CONDUITE D'EAU DE LA MAISON

Une alimentation d'eau froide est requise pour faire fonctionner la machine à glaçons. Vous devrez en fournir une si elle n'existe pas. Voir la section *Installation de la conduite d'eau*.

NOTE : Avant de brancher la conduite au réfrigérateur, assurez-vous que le cordon d'alimentation électrique n'est pas branché à la prise murale.

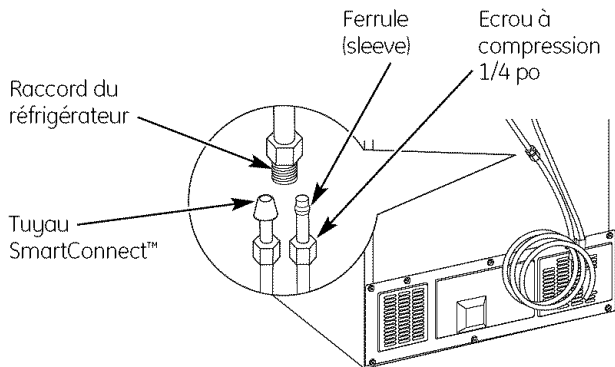
- A** Si vous utilisez un tuyau de cuivre, placez un écrou de compression et une bague (manchon) à l'extrémité du tuyau qui vient de l'alimentation d'eau froide de la maison.

Si vous utilisez un tuyau GE SmartConnect,™ les écrous sont déjà assemblés au tuyau.

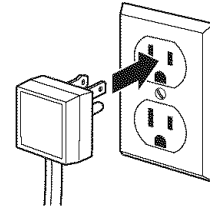
Instructions d'installation

9 BRANCHEMENT DU RÉFRIGÉRATEUR À LA CONDUITE D'EAU DE LA MAISON (suite)

- B** Si vous utilisez un tuyau de cuivre, insérez aussi loin que possible l'extrémité du tuyau dans le raccord à l'arrière du réfrigérateur. Tout en tenant le tuyau, serrez le raccord.
- Si vous utilisez un tuyau GE SmartConnect™**, insérez l'extrémité moulée du tuyau dans le raccord à l'arrière du réfrigérateur, puis serrez l'écrou à compression à la main. Serrez ensuite un autre tour à l'aide d'une clé. Un serrage excessif pourrait occasionner des fuites.
- C** Fixez le tuyau dans le collet (fourni) pour le maintenir en position. Il est possible que vous deviez écarter le collet.

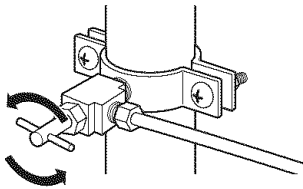


11 BRANCHEZ LE CORDON DU RÉFRIGÉRATEUR DANS LA PRISE



Lisez l'étiquette concernant la mise à la terre qui est attachée au cordon d'alimentation.

10 OUVREZ L'ALIMENTATION D'EAU



Ouvrez l'alimentation d'eau au niveau du robinet d'arrêt (l'alimentation d'eau de la maison) et vérifiez la présence de fuites.

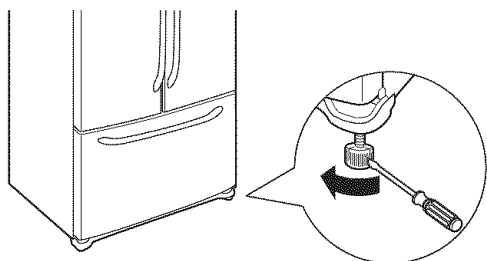
INSTALLATION DU RÉFRIGÉRATEUR (suite)

12 METTEZ LE RÉFRIGÉRATEUR DE NIVEAU

Les pieds de nivellement jouent deux rôles :

- 1) Elles peuvent être réglées de manière à permettre à l'appareil de reposer solidement sur le sol.
- 2) Les pieds de nivellement servent de frein de stabilisation, pour tenir le réfrigérateur bien en place pendant son fonctionnement et son nettoyage. Les pieds d'inclinaison empêchent également le réfrigérateur de basculer.

- A** Tournez les pieds **dans le sens des aiguilles d'une montre pour faire monter** le réfrigérateur, **dans le sens opposé à celui des aiguilles d'une montre pour le faire descendre**.



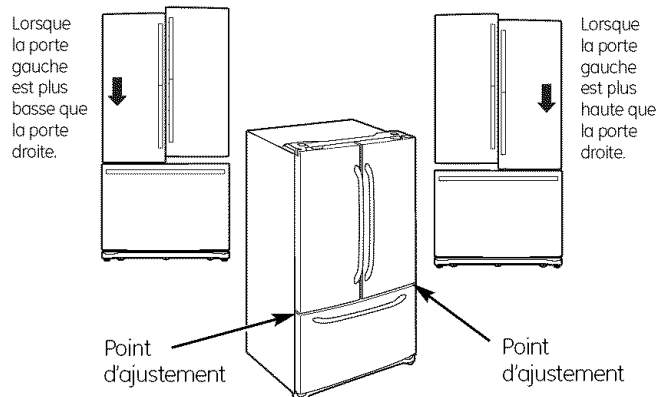
Tournevis à tête plate

⚠ MISE EN GARDE :

Pour éviter tous risques de blessures corporelles ou de dommages matériels, les pieds de nivellement doit bien reposer sur le plancher.

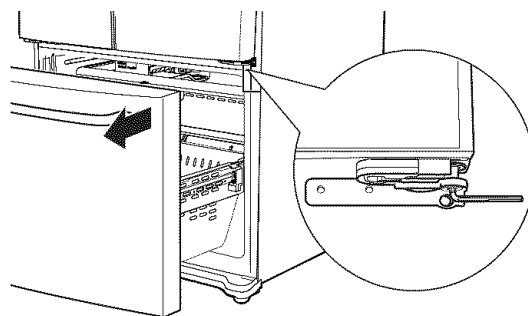
13 NIVELLEMENT DES PORTES DU RÉFRIGÉRATEUR

Rappelez-vous qu'un réfrigérateur de niveau est nécessaire pour que les portes soient parfaitement planes. Si vous avez besoin d'aide, reportez-vous à la section précédente sur le nivellement du réfrigérateur.

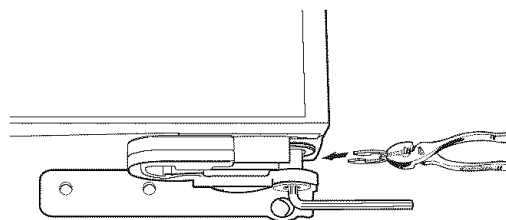


13 NIVELLEMENT DES PORTES DU RÉFRIGÉRATEUR (suite)

- A** Si vous ouvrez la porte du congélateur, vous pouvez voir la charnière centrale.
- B** Insérez la clé Allen de 4 mm fournie dans l'orifice de la charnière centrale.
- C** Réglez la hauteur en tournant la clé dans le sens des aiguilles d'une montre ou dans le sens contraire. Lorsque vous tournez dans le sens contraire des aiguilles d'une montre, la porte se déplacera vers le haut.



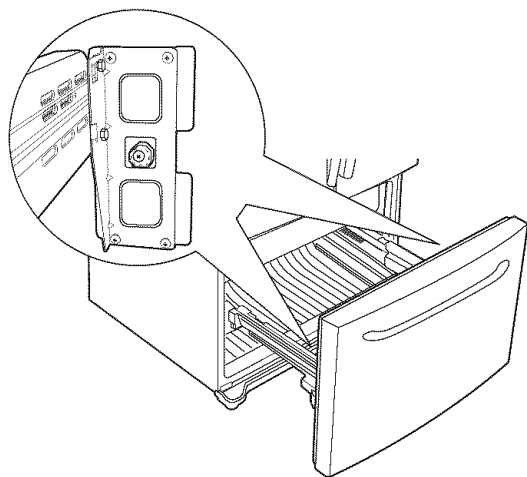
- D** Après avoir réglé les portes, insérez les rondelles de fixation fournies à l'aide d'une paire de pinces dans l'espace vide entre l'œillet de la charnière et la charnière centrale. Le nombre de rondelles de fixation à insérer dépendra de l'espace vide à combler.



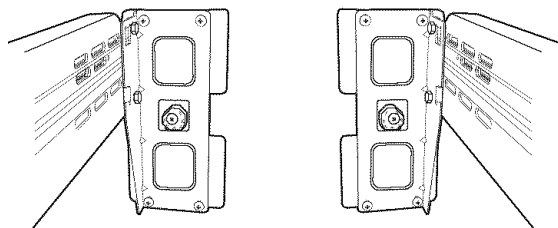
NOTE : Quatre rondelles de fixation sont fournies avec le réfrigérateur. L'épaisseur de chaque rondelle est de 0,04".

Instructions d'installation

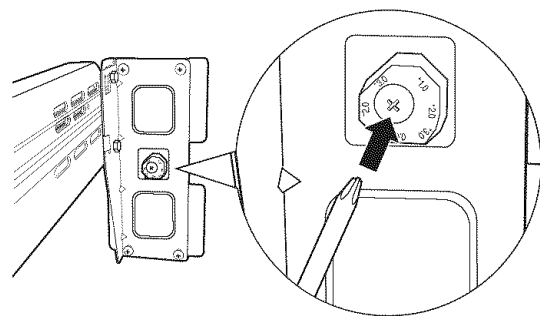
14 NIVELLEMENT DE LA PORTE DU CONGÉLATEUR



- A** Localisez le réglage de hauteur dans la porte du congélateur. Desserrez légèrement les quatre vis cruciformes de chaque côté de la porte (droite et gauche).

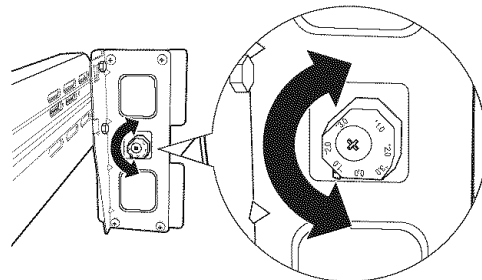


- B** Desserrez la vis de l'ajusteur avec un tournevis cruciforme pour régler le niveau.

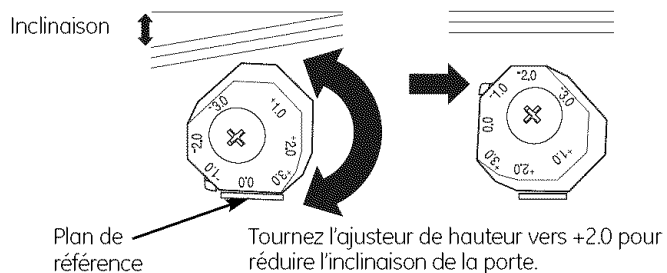


14 NIVELLEMENT DE LA PORTE DU CONGÉLATEUR (suite)

- C** Trouvez la meilleure position pour aligner l'inclinaison de la porte.



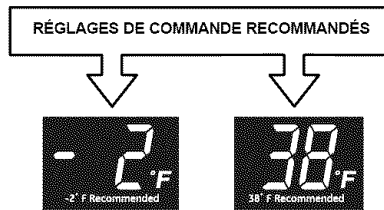
Exemple : L'inclinaison est d'environ 2 mm comme illustré ci-dessous.



- D** Après le réglage, resserrez toutes les vis.

15 RÉGLEZ LES COMMANDES

Réglez les commandes selon les recommandations.



16 ENLEVEZ LES MATÉRIAUX D'EMBALLAGE

- A** Enlevez tous les matériaux d'emballage (rubans, mousse et autre protection) des clayettes et des tiroirs.

Instructions d'installation

INSTALLATION DE LA CONDUITE D'EAU

AVANT DE COMMENCER

Nous recommandons les trousse d'alimentation d'eau en cuivre WX8X2, WX8X3, WX8X4, selon le montant de conduite dont vous avez besoin. Nous approuvons les conduites d'eau en matière plastique GE SmartConnect™ Refrigerator Tubing (WX08X10006, WX08X10015 et WX08X10025).

Si vous installez un système d'eau GE Reverse Osmosis dans votre réfrigérateur, la seule installation approuvée est celle de la trousse GE RVKIT. Pour les autres systèmes d'osmose de l'eau, suivez les recommandations du fabricant.

Si l'alimentation d'eau à votre réfrigérateur vient d'un système de filtration d'osmose inversée ET si votre réfrigérateur a également un filtre d'eau, utilisez le bouchon de dérivation du filtre de votre réfrigérateur. Si vous utilisez la cartouche de filtration de votre réfrigérateur en conjonction avec le filtre MWF, vous pouvez produire des glaçons creux.

Cette installation de conduite d'eau n'est pas garantie par le fabricant de réfrigérateur ou de machine à glaçons. Suivez soigneusement ces instructions pour minimiser le risque de dommages onéreux d'inondation.

Les coups de bélier (eau qui donne des coups dans les tuyaux) dans la tuyauterie de la maison peut occasionner des dommages aux pièces de votre réfrigérateur, ainsi que des fuites ou des inondations. Appelez un plombier certifié pour corriger les coups de bélier avant d'installer la conduite d'eau de votre réfrigérateur.

Pour prévenir toute brûlure et tout dommage à votre réfrigérateur, ne branchez jamais la conduite d'eau à une canalisation d'eau chaude.

Si vous utilisez votre réfrigérateur avant de brancher l'alimentation d'eau, désactivez votre machine à glaçons en activant la commande **Ice Off** (glace désactivée). Voir la section *Machine à Glaçons Automatique* pour plus amples informations.

N'installez jamais les tuyaux de la machine à glaçon dans des endroits où la température risque de descendre en dessous du point de congélation.

Si vous utilisez un outil électrique (comme une perceuse électrique) pendant l'installation, assurez-vous que l'isolement ou le câblage de cet outil empêche tout danger de secousse électrique.

Vous devez procéder à toutes vos installations conformément aux exigences de votre code local de plomberie.

CE DONT VOUS AUREZ BESOIN



- **Tuyaux en cuivre ou trousse GE SmartConnect™ Refrigerator Tubing**, diamètre extérieur de 1/4 po pour brancher le réfrigérateur à l'alimentation d'eau. Si vous utilisez un tuyau en cuivre, assurez-vous que les deux extrémités du tuyau soient coupées bien droit.

Pour trouver la longueur de tuyau dont vous aurez besoin : mesurez la distance qui va du robinet d'eau situé derrière le réfrigérateur jusqu'au tuyau d'alimentation d'eau. Assurez-vous qu'il y ait assez de tuyau en trop pour vous permettre de décoller le réfrigérateur du mur après l'installation.

Les trousse GE SmartConnect™ Refrigerator Tubing sont disponibles dans les dimensions suivantes :

1,8 m (6 pi) – WX08X10006

4,6 m (15 pi) – WX08X10015

7,6 m (25 pi) – WX08X10025

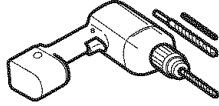
NOTE : Les seuls tuyaux en matière plastique approuvés par GE sont ceux qui sont fournis dans les trousse GE SmartConnect™ Refrigerator Tubing. N'utilisez jamais un autre tuyau en matière plastique, car le tuyau d'alimentation d'eau est tout le temps sous pression. Certaines catégories de tuyaux en matière plastique peuvent devenir cassants avec l'âge et peuvent se fendre, en occasionnant des dommages d'inondation dans votre maison.

- Vous pouvez acheter une **trousse d'alimentation d'eau GE** (contenant un tuyau en cuivre, un robinet d'arrêt et les joints énumérés ci-dessous) chez votre distributeur local ou en le commandant au service de pièces et accessoires, au 1.888.261.3055.

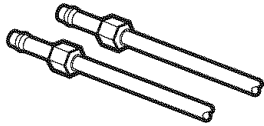
Instructions d'installation

CE DONT VOUS AUREZ BESOIN (suite)

- Une alimentation d'eau froide potable. La pression de l'eau doit être entre 20 et 120 p.s.i. (1,4 et 8,1 bar).



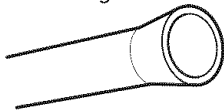
- Une perceuse électrique.
- Une clé de 1/2 po ou une clé réglable.
- Un tournevis à lame plate et un tournevis Phillips.



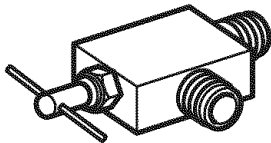
- Deux écrous à compression d'un diamètre extérieur de 1/4 po et deux bagues (manchons)—pour brancher le tuyau en cuivre au robinet d'arrêt et au robinet d'eau du réfrigérateur.

OU

- Si vous utilisez une trousse d'alimentation d'eau GE avec tuyau en matière plastique, les garnitures nécessaires sont déjà montées au tuyau.



- Si votre canalisation d'eau actuelle a un raccord évasé à une extrémité, vous aurez besoin d'un **adaptateur** (que vous trouverez dans votre magasin de matériel de plomberie) pour brancher le tuyau d'eau au réfrigérateur, **OU BIEN** vous pouvez couper le raccord évasé à l'aide d'un **coupe-tube**, puis utiliser un raccord à compression. Ne coupez jamais l'extrémité finie d'un tuyau de la trousse GE SmartConnect™ Refrigerator Tubing.



- Un robinet d'arrêt pour brancher le tuyau d'eau froide. Le robinet d'arrêt doit avoir une entrée d'eau avec un diamètre intérieur minimal de 5/32 po au point de jonction avec le **TUYAU D'EAU FROIDE**. Des robinets d'arrêt à étrier sont souvent inclus dans les trousse d'alimentation d'eau. Avant d'acheter, assurez-vous que le robinet à étrier se conforme à vos codes de plomberie locaux.

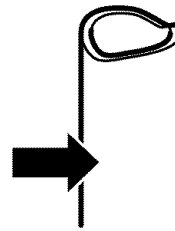
Installez le robinet d'arrêt sur la canalisation d'eau potable la plus fréquemment utilisée.

1 FERMEZ L'ALIMENTATION PRINCIPALE D'EAU

Ouvrez le robinet le plus proche suffisamment longtemps pour purger le tuyau.

2 CHOISISSEZ L'EMPLACEMENT DU ROBINET

Choisissez pour le robinet un emplacement facilement accessible. Il vaut mieux le brancher de côté à un tuyau vertical. Si vous devez le brancher à un tuyau horizontal, faites le branchement en haut ou de côté, plutôt qu'en bas du tuyau, pour éviter de recevoir des sédiments du tuyau d'alimentation d'eau.

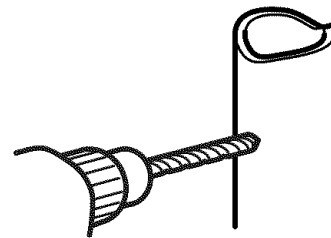


3 PERCEZ UN TROU POUR LE ROBINET

Percez un trou de 1/4 po dans le tuyau d'eau, à l'aide d'un foret dur. Enlevez toute barbare due au perçage du trou dans le tuyau.

Faites attention de ne pas laisser de l'eau couler dans votre perceuse électrique.

Si vous ne percez pas un trou de 1/4 po, vous obtiendrez une alimentation d'eau réduite et des glaçons plus petits.

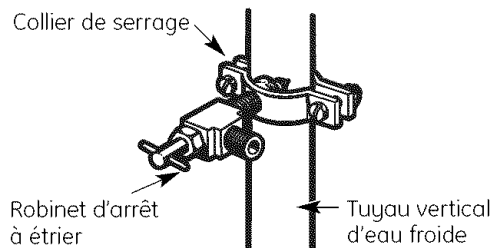


Instructions d'installation

INSTALLATION DE LA CONDUITE D'EAU (SUITE)

4 FIXEZ LE ROBINET D'ARRÊT

Fixez le robinet d'arrêt au tuyau d'eau froide à l'aide du collier de serrage.

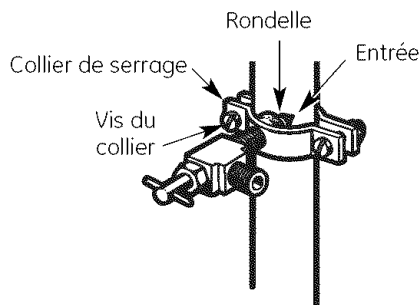


NOTE : Vous devez vous conformer aux Codes de plomberie 248CMR du Commonwealth of Massachusetts. Les robinets d'arrêt à étrier sont illégaux et leur utilisation n'est pas autorisée au Massachusetts. Consultez votre plombier local.

5 SERREZ LE COLLIER DE SERRAGE

Serrez les vis du collier jusqu'à ce que la rondelle d'étanchéité commence à enfler.

NOTE : Ne serrez pas trop. Vous risquez d'écraser le tuyau de cuivre.



6 ACHEMINEZ LE TUYAU

Acheminez le tuyau du tuyau d'eau froide au réfrigérateur.

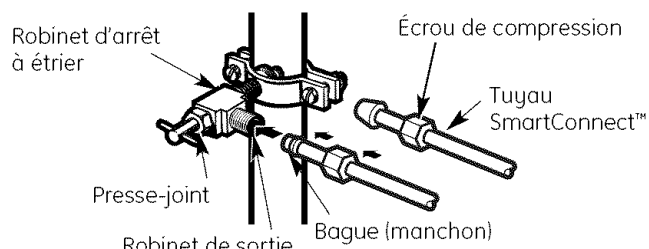
Faites passer le tuyau par un trou percé dans le mur ou le plancher (derrière le réfrigérateur ou au niveau de l'armoire de cuisine adjacente), aussi près du mur que possible.

7 BRANCHEZ LE TUYAU AU ROBINET

Placez un écrou de compression et une bague (manchon) à l'extrémité du tuyau et branchez-les au robinet d'arrêt.

Assurez-vous que le tuyau soit bien inséré dans le robinet. Serrez fort l'écrou de compression.

Pour le tuyau en matière plastique d'une trousse GE SmartConnect™ Refrigerator Tubing, insérez l'extrémité moulée du tuyau dans le robinet d'arrêt et serrez l'écrou de compression à la main, puis serrez un autre demi tour avec une clé. Si vous serrez trop fort, vous pouvez occasionner des fuites.

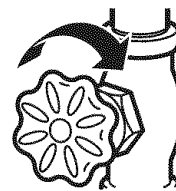


NOTE : Vous devez vous conformer aux Codes de plomberie 248CMR du Commonwealth of Massachusetts. Les robinets d'arrêt à étrier sont illégaux et leur utilisation n'est pas autorisée au Massachusetts. Consultez votre plombier local.

8 PURGEZ LE TUYAU

Ouvrez le robinet d'alimentation principale d'eau et purgez le tuyau jusqu'à ce que l'eau soit claire.

Fermez l'eau au niveau du robinet d'eau après écoulement d'environ 1 litre (1 quart) d'eau par le tuyau.



Pour compléter l'installation du réfrigérateur, retournez à l'étape 1 de la section *Installation du réfrigérateur*.



Les réfrigérateurs plus récents font des bruits différents de ceux des anciens. Les réfrigérateurs modernes présentent plus de fonctions et sont plus avancés sur le plan technologique.

Entendez-vous ce que j'entends ? Ces bruits sont normaux.

HUMMM... OUUCH....

- Le nouveau compresseur à rendement élevé peut fonctionner plus longtemps et plus vite que votre ancien réfrigérateur et vous pouvez entendre un son modulé ou un ronflement aigu pendant son fonctionnement.
- Vous pouvez entendre un sifflement lorsque les portes se ferment. Cela vient de l'équilibrage de pression dans le réfrigérateur.

OUIR !



- Vous pouvez entendre les ventilateurs tourner à hautes vitesses. Cela se produit lorsque le réfrigérateur vient d'être branché, lorsque les portes sont ouvertes fréquemment ou lors de l'ajout d'une grande quantité d'aliments dans les compartiments congélateur ou réfrigérateur. Les ventilateurs permettent de maintenir les bonnes températures.
- Les ventilateurs changent de vitesses pour assurer des économies d'énergie et un refroidissement optimaux.

CLICS et CLAQUEMENTS

- Vous pouvez entendre des craquements ou des claquements lorsque le réfrigérateur est branché pour la première fois. Cela se produit lorsque le réfrigérateur se refroidit à la bonne température.
- Le réglage du congélateur clique quand le compresseur se met en marche ou s'arrête.
- L'expansion et la contraction des serpentins de refroidissement pendant et après le dégivrage peuvent causer un craquement ou un claquement.
- Sur les modèles équipés d'une machine à glaçons, après un cycle de fabrication de glaçons, vous pouvez entendre les glaçons tomber dans le bac.
- Sur les modèles munis d'un distributeur, le mouvement des conduites peut être audible lors de la première distribution d'eau et après le relâchement du bouton du distributeur.

BRUITS D'EAU



- Le passage de l'agent frigorigène dans les serpentins de refroidissement du congélateur peut être accompagné d'un gargouillement semblable à celui de l'eau en ébullition.
- L'eau tombant sur l'élément chauffant de dégivrage peut faire un bruit de grésillement, de claquement ou de bourdonnement pendant le cycle de dégivrage.
- Un bruit de suintement d'eau peut être entendu pendant le cycle de dégivrage lorsque la glace de l'évaporateur fond et tombe dans le bac de récupération.
- Fermer la porte peut causer un gargouillement en raison de l'équilibrage de pression.



Pour obtenir plus d'information sur les bruits normaux de fonctionnement de la machine à glaçons, veuillez consulter la section **Machine à glaçons automatique**.



Avant d'appeler un réparateur...



Conseils de dépannage—Économisez du temps et de l'argent!
Consultez d'abord les tableaux qui suivent et vous pourrez peut-être éviter de faire appel à un réparateur.

Problème	Causes possibles	Correctifs
Le réfrigérateur ne fonctionne pas	Le cycle de dégivrage est en cours.	• Attendez environ 30 minutes permettre au cycle de dégivrage de se terminer.
	Le réfrigérateur est débranché.	• Enfoncez la fiche de l'appareil dans la prise murale.
	Le disjoncteur ou le fusible peut avoir sauté.	• Remplacez le fusible ou réenclenchez le disjoncteur.
Vibration ou bruit métallique (une légère vibration est normale)	Les pieds de nivellement ont besoin d'être réglés.	• Consultez Mettez le réfrigérateur de niveau.

Avant d'appeler un réparateur...

Problème	Causes possibles	Correctifs
Le moteur fonctionne pendant de longues périodes ou démarre et s'arrête fréquemment. (Les réfrigérateurs modernes et leurs congélateurs étant plus grands, leur moteur doit fonctionner plus longtemps. Ils démarrent et s'arrêtent afin de maintenir des températures uniformes.)	Ceci est normal lorsque le réfrigérateur vient d'être branché.	<ul style="list-style-type: none"> Attendez 24 heures pour que le réfrigérateur refroidisse complètement.
	Ceci arrive souvent lorsque une grande quantité d'aliments a été mise au réfrigérateur.	<ul style="list-style-type: none"> C'est normal.
	Porte laissée ouverte.	<ul style="list-style-type: none"> Vérifiez qu'il n'y a pas un paquet qui empêche la porte de fermer.
	Temps chaud ou ouverture fréquente des portes.	<ul style="list-style-type: none"> C'est normal.
Température trop élevée dans le congélateur ou le réfrigérateur	Les commandes de température ont été réglées aux températures les plus basses.	<ul style="list-style-type: none"> Consultez <i>Les commandes</i>.
	La commande de température du réfrigérateur ou du congélateur n'est pas réglée à une température assez basse.	<ul style="list-style-type: none"> Consultez <i>Les commandes</i>.
	Temps chaud ou ouverture fréquente des portes.	<ul style="list-style-type: none"> Abaissez la commande de température d'une position. Consultez <i>Les commandes</i>.
Givre sur les aliments surgelés (il est normal que du givre se forme à l'intérieur du paquet)	Porte laissée ouverte.	<ul style="list-style-type: none"> Vérifiez qu'il n'y a pas un paquet qui empêche la porte de fermer.
	Les ouvertures de porte sont trop fréquentes ou trop longues.	<ul style="list-style-type: none"> Vérifiez qu'il n'y a pas un paquet qui empêche la porte de fermer.
Vibration fréquente	La fonctionnalité <i>Ice Off</i> (glace désactivée) est désactivée, mais l'approvisionnement en eau du réfrigérateur n'est pas branché.	<ul style="list-style-type: none"> Appuyez et relâchez la touche Ice Off/Lock (glace désactivée/verrouillage) du panneau de contrôle pour activer la fonctionnalité <i>Ice Off</i> (glace désactivée), puis l'icône  s'affiche. Maintenir activée la fonctionnalité <i>Ice Off</i> (glace désactivée) endommagera la vanne d'eau.
Petits glaçons ou glaçons creux à l'intérieur	Le filtre à eau est bouché.	<ul style="list-style-type: none"> Remplacez la cartouche du filtre avec une nouvelle cartouche ou installez le bouchon du filtre.
La machine à glaçons automatique ne fonctionne pas	La fonctionnalité <i>Ice Off</i> (glace désactivée) est activée.	<ul style="list-style-type: none"> Appuyez et relâchez la touche Ice Off/Lock (glace désactivée/verrouillage) du panneau de contrôle pour désactiver la fonctionnalité <i>Ice Off</i> (glace désactivée), puis l'icône  disparaît.
	L'alimentation d'eau est arrêtée ou n'est pas branchée.	<ul style="list-style-type: none"> Consultez <i>Installation de la conduite d'eau</i>.
	Le compartiment congélateur est trop chaud.	<ul style="list-style-type: none"> Attendez 24 heures que le réfrigérateur soit complètement froid.
	Une accumulation de glaçons dans le tiroir à glaçons peut causer un arrêt de la machine à glaçons.	<ul style="list-style-type: none"> Égalisez les glaçons à la main.
	Des glaçons se sont collés dans la machine à glaçons.	<ul style="list-style-type: none"> Débranchez la machine à glaçons, enlevez les glaçons, puis remettez en marche la machine à glaçons.

Problème	Causes possibles	Correctifs
Odeur/saveur anormale des glaçons	Des aliments ont transmis leur odeur/goût aux glaçons. Il faut nettoyer l'intérieur du réfrigérateur.	<ul style="list-style-type: none"> • Emballez bien les aliments. • Consultez <i>Entretien et nettoyage</i>. • Gardez une boîte de bicarbonate de soude ouverte dans votre réfrigérateur. Remplacez-la tous les trois mois.
Formation lente des glaçons	Porte laissée ouverte. La commande de température du congélateur n'est pas réglée à une température assez basse.	<ul style="list-style-type: none"> • Vérifiez qu'il n'y a pas un paquet qui empêche la porte de fermer. • Consultez <i>Les commandes</i>.
Odeur dans le réfrigérateur	Des aliments ont transmis leur odeur au réfrigérateur. Il faut nettoyer l'intérieur.	<ul style="list-style-type: none"> • Les aliments à odeur forte doivent être emballés hermétiquement. • Gardez une boîte ouverte de bicarbonate de soude dans le réfrigérateur. • Consultez <i>Entretien et nettoyage</i>.
De la condensation s'accumule à l'extérieur	Cela n'est pas inhabituel pendant les périodes de forte humidité.	<ul style="list-style-type: none"> • Essuyez bien la surface extérieure et abaissez la commande du réfrigérateur d'une position. • Désactivez le mode d'économie d'énergie.
De l'humidité se forme à l'intérieur (quand il fait humide, l'air transporte de l'humidité à l'intérieur du réfrigérateur quand vous ouvrez les portes)	Vous ouvrez les portes trop souvent ou trop longtemps.	
La lumière de compartiment réfrigération ou congélation ne s'allume pas	Pas d'électricité à la prise. L'ampoule a brûlé ou elle n'est pas vissée à fond.	<ul style="list-style-type: none"> • Remplacez le fusible ou remettez en marche le disjoncteur. • Consultez <i>Remplacement des ampoules électriques</i>.
La porte/le tiroir ne ferme pas seul	Vous devez ajuster les pieds de nivellement.	<ul style="list-style-type: none"> • Consultez <i>Installation du réfrigérateur</i>.
De l'air chaud souffle du bas du réfrigérateur	C'est normal. Le moteur se refroidit à l'air. Dans le processus de réfrigération il est normal que de la chaleur soit émise en bas du réfrigérateur. Certains revêtements de sol sont sensibles et changent de couleur à ces températures normales et pas dangereuses.	
Les aliments gèlent dans le compartiment réfrigération	Les aliments sont trop près de l'ouverture de circulation d'air à l'arrière du compartiment réfrigération. Le réglage de votre réfrigérateur est trop froid.	<ul style="list-style-type: none"> • Éloignez les aliments de l'ouverture de circulation d'air. • Réglez votre réfrigérateur à une température plus chaude en sélectionnant une graduation à la fois.

Avant d'appeler un réparateur...

Problème	Causes possibles	Correctifs
Mauvais goût/odeur de l'eau	Le distributeur d'eau n'a pas été utilisé depuis longtemps.	<ul style="list-style-type: none"> Faites couler l'eau jusqu'à ce que l'eau du système soit remplacée par de l'eau fraîche.
L'eau versée dans le premier verre est chaude	<p>Normal lorsque le réfrigérateur est initialement installé.</p> <p>Le distributeur d'eau n'a pas été utilisé depuis longtemps.</p> <p>Le réservoir d'eau vient d'être vidangé.</p>	<ul style="list-style-type: none"> Attendez 24 heures pour que la température du réfrigérateur se stabilise. Faites couler l'eau jusqu'à ce que l'eau du système soit remplacée par de l'eau fraîche. Attendez plusieurs heures pour que l'eau refroidisse.
Le distributeur d'eau ne fonctionne pas	<p>L'alimentation en eau est coupée ou n'est pas raccordée.</p> <p>Le filtre à eau est bouché.</p> <p>Il y a de l'air dans la conduite d'eau.</p> <p>L'eau dans le réservoir est gelée parce que la température de réglage est trop froide.</p>	<ul style="list-style-type: none"> Consultez <i>Installation de la conduite d'eau</i>. Remplacez la cartouche du filtre avec une nouvelle cartouche ou installez le bouchon du filtre. Appuyez sur le bras de distribution pendant au moins deux minutes. Augmentez la température de réglage de compartiment réfrigération et attendez 24 heures. Si l'eau ne coule pas du distributeur près 24 heures, appelez le service.
Débit de l'eau du distributeur ou de la machine à glaçons est lent	Le filtre à eau est bouché.	<ul style="list-style-type: none"> Remplacez la cartouche du filtre avec une nouvelle cartouche ou installez le bouchon du filtre.
L'eau jaillit du distributeur	La cartouche du filtre vient d'être installée.	<ul style="list-style-type: none"> Faites couler l'eau du distributeur pendant 3 minutes (environ 6 litres).
La machine à glaçons ne distribue ni eau ni glaçons	<p>La conduite d'eau ou le robinet d'arrêt est bouché.</p> <p>Le filtre à eau est bouché.</p> <p>Cartouche de filtre mal installée.</p>	<ul style="list-style-type: none"> Appelez un plombier. Remplacez la cartouche du filtre avec une nouvelle cartouche ou installez le bouchon du filtre. Retirez et réinstallez la cartouche de filtre en vous assurant qu'elle se bloque en place. La lame à l'extrémité de la cartouche doit être positionnée verticalement.
L'eau coule du distributeur	<p>Vous ne tenez pas le verre sous le distributeur suffisamment longtemps après avoir relâché le bouton.</p> <p>De l'air peut se trouver dans les conduites d'eau, causant l'égouttement après une distribution d'eau.</p>	<ul style="list-style-type: none"> Tenez le verre sous le distributeur pendant 2-3 secondes après avoir relâché le bouton du distributeur. L'eau peut continuer à couler après que vous ayez relâché le bouton. Faites écouler l'eau pendant au moins 2 minutes pour expulser l'air du système.
La poignée est lâche/ Il y a un espace vide pour la poignée	Vous devez ajuster la poignée de porte.	<ul style="list-style-type: none"> Consultez les sections <i>Fixez la poignée du compartiment aliments frais</i> et <i>Fixez la poignée du compartiment congélation</i> pour des instructions détaillées.
Son du réfrigérateur	C'est l'alarme de porte.	<ul style="list-style-type: none"> Fermez la porte.

Notes.

Mesures de sécurité	Fonctionnement	Installation	Conseils de dépannage	Soutien au consommateur
---------------------	----------------	--------------	-----------------------	-------------------------

GARANTIE DU CLIENT

(pour la clientèle au Canada)

Votre réfrigérateur est garanti contre tout défaut de matériau et de fabrication.

Ce que cette garantie couvre	Durée de garantie (à partir de la date d'achat)	Pièces Réparation ou remplacement au choix de Mabe	Main-d'oeuvre
Compresseur	GE Profile : Dix (10) ans GE et toutes autre marques : Un (1) an	GE Profile : Dix (10) ans GE et toutes autre marques : Un (1) an	GE Profile : Cinq (5) ans GE et toutes autre marques : Un (1) an
Système scellé (y compris l'évaporateur, la tuyauterie du condenseur et le frigorigène)	GE Profile : Cinq (5) ans GE et toutes autre marques : Un (1) an	GE Profile : Cinq (5) ans GE et toutes autre marques : Un (1) an	GE Profile : Cinq (5) ans GE et toutes autre marques : Un (1) an
Toutes les autres pièces	Un (1) an	Un (1) an	Un (1) an

TERMES ET CONDITIONS :

La présente garantie ne s'applique qu'à l'utilisation domestique par une seule famille au Canada, lorsque le réfrigérateur a été installé conformément aux instructions fournies par Mabe et est alimenté correctement en eau et en électricité.

Les dommages dûs à une utilisation abusive, un accident, une exploitation commerciale, ainsi que la modification, l'enlèvement ou l'altération de la plaque signalétique annulent la présente garantie.

L'entretien effectué dans le cadre de la présente garantie doit l'être par un réparateur agréé Mabe.

Mabe et le marchand ne peuvent être tenus pour responsables en cas de réclamations ou dommages résultant de toute panne du réfrigérateur ou d'un entretien retardé pour des raisons qui raisonnablement échappent à leur contrôle.

L'acheteur doit, pour obtenir un service dans le cadre de la garantie, présenter la facture originale. Les éléments réparés ou remplacés ne sont garantis que pendant le restant de la période de garantie initiale.

Cette garantie est offerte à l'acheteur initial, ainsi qu'à tout propriétaire subséquent d'un produit acheté en vue d'une utilisation domestique au Canada. Le service à domicile en vertu de la garantie sera fourni dans les régions où il est disponible et où Mabe estime raisonnable de le fournir.

Cette garantie est en sus de toute garantie statutaire.

EXCLUSIONS DE LA GARANTIE :

- Le propriétaire est responsable de payer les réparations occasionnées par l'installation de ce produit et/ou les visites nécessaires pour lui apprendre à utiliser ce produit.
- Tout dommage au fini de l'appareil doit être signalé auprès du magasin où a été effectué l'achat dans les 48 heures suivant la livraison de l'appareil.
- Dommages causés à la peinture ou à l'émail après livraison.
- Installation incorrecte—l'installation correcte inclut la bonne circulation d'air pour le système de réfrigération, des possibilités de branchement aux circuits électriques, d'alimentation en eau et autres.
- Remplacement des fusibles ou réarmement des disjoncteurs.
- Remplacement des ampoules électriques.
- Dommages subis par l'appareil à la suite d'un accident, d'un incendie, d'inondations ou en cas de force majeure.
- Utilisation correcte et entretien adéquat de l'appareil selon le manuel d'utilisation, réglage correct des commandes.
- Perte des aliments due à la détérioration.
- Le service s'il est impossible d'avoir accès au produit pour ce faire.
- LE GARANT N'EST PAS RESPONSABLE DES DOMMAGES INDIRECTS.

EXCLUSION DE GARANTIES IMPLICITES—Votre seul et unique recours est la réparation du produit selon les dispositions de cette Garantie limitée. Toutes les garanties implicites, incluant les garanties de commercialité et d'adéquation à un usage spécifique, sont limitées à une année ou à la période la plus courte autorisée par la législation.

IMPORTANT

Gardez cette garantie et votre facture originale comme preuve d'achat et preuve de la date d'achat.

Mabe vous offre ses services dans tout le pays. Pour de plus amples renseignements sur la présente garantie, veuillez prendre contact avec :

Directeur, Relations avec les consommateurs, Mabe Canada Inc.,
Bureau 310, 1 Factory Lane, Moncton, N.B. E1C 9M3
1.800.561.3344

*Agrapez votre reçu ici.
Vous devez fournir la preuve de
l'achat original pour obtenir des
services en vertu de la garantie.*

Feuillet de données relatives à la performance
Cartouche MWF du système de
Filtration d'eau GE SmartWater

Ce système a été essayé selon les normes NSF/ANSI 42/53 pour une réduction des substances énumérées ci-dessous. La concentration des substances indiquées dans l'eau qui entre dans le système a été réduite à une concentration inférieure ou égale à la limite permise pour l'eau quittant le système, telle que précisée par la norme NSF/ANSI 42/53.*
(facteurs intégrés de sécurité à 100% pour une utilisation sans compteur)

Norme N° 42 : Effets esthétiques								
Paramètre	USEPA MCL	Qualité influent concentration	Moyenne influente	Effluent		% Réduction		Réduction exigeante min.
				Moyenne	Maximum	Moyenne	Minimum	
Chlore	—	2,0 mg/L ± 10%	1,96 mg/L	0,06 mg/L	0,11 mg/L	96,77%	94,74%	> 50%
Goût et odeur	—	—	—	—	—	—	—	—
Particules**	—	10.000 particles/mL minimum	6.400.000 #/mL	58.833 #/mL	150.000 #/mL	99,14%	97,97%	≥ 85%

Norme N° 53 : Effets de santé								
Paramètre	USEPA MCL	Qualité influent concentration	Moyenne influente	Effluent		% Réduction		Réduction exigeante min.
				Moyenne	Maximum	Moyenne	Minimum	
Turbidité	0,5 NTU	11 ± 1 NTU***	10,5 NTU	0,14 NTU	0,28 NTU	98,54%	97,20%	0,5 NTU
Spores	≥ 99,95% réduction	50.000 L minimum	118.750 #/L	< 1 #/L	4 #/L	> 99,99%	> 99,99%	≥ 99,95%
Amiante	≥ 99% réduction	10 ⁷ à 10 ⁸ fibres/L; > 10µm	57 MF/L	0,996 MF/L	< 1 MF/L	99,60%	99,39%	≥ 99%
Plomb au pH 6,5	0,015 mg/L	0,15 mg/L ± 10%	0,1567 mg/L	< 0,001 mg/L	< 0,001 mg/L	99,36%	99,29%	0,010 mg/L
Plomb au pH 8,5	0,015 mg/L	0,15 mg/L ± 10%	0,1433 mg/L	< 0,001 mg/L	< 0,001 mg/L	99,30%	99,29%	0,010 mg/L
Mercure à pH 6,5	0,002 mg/L	0,006 mg/L ± 10%	0,0059 mg/L	0,000350 mg/L	0,0007 mg/L	94,70%	87,50%	0,002 mg/L
Mercure à pH 8,5	0,002 mg/L	0,006 mg/L ± 10%	0,0057 mg/L	0,000325 mg/L	0,0006 mg/L	93,20%	89,29%	0,002 mg/L
Alachlore	0,002 mg/L	0,04 mg/L ± 10%	0,0367 mg/L	0,00023 mg/L	0,0004 mg/L	99,34%	98,67%	0,002 mg/L
Lindane	0,0002 mg/L	0,002 mg/L ± 10%	0,0020 mg/L	< 0,00002 mg/L	< 0,00002 mg/L	99,00%	98,95%	0,0002 mg/L
2,4-D	0,070 mg/L	0,210 mg/L ± 10%	0,2033 mg/L	0,00337 mg/L	0,011000 mg/L	98,32%	94,50%	0,070 mg/L
Toxaphène	0,003 mg/L	0,015 mg/L ± 10%	0,0160 mg/L	0,00100 mg/L	0,001000 mg/L	93,44%	91,67%	0,003 mg/L
Benzène	0,005 mg/L	0,015 mg/L ± 10%	0,0145 mg/L	0,000500 mg/L	0,000500 mg/L	96,51%	95,83%	0,005 mg/L
Carbofurane	0,040 mg/L	0,080 mg/L ± 10%	0,0830 mg/L	0,001000 mg/L	0,001000 mg/L	98,78%	98,65%	0,04 mg/L
1,4 Dichlorobenzène	0,075 mg/L	0,225 mg/L ± 10%	0,2283 mg/L	0,000500 mg/L	0,000500 mg/L	99,78%	99,77%	0,075 mg/L
Atrazine	0,003 mg/L	0,009 mg/L ± 10%	0,0087 mg/L	< 0,0005 mg/L	< 0,0005 mg/L	94,22%	93,33%	0,003 mg/L

* Testé utilisant un débit de 0,50 gpm; une pression de 60 psig; un pH de 7,5 ± 0,5; et une temp. de 20° C ± 3° C (68° F ± 5° F)

** Mesures en particules/ml. Les particules utilisés étaient de 0,5-1 micron.

*** NTU = unités de turbidité néphélogométrique

Spécifications d'opération

- Capacité: certifiée jusqu'à maximum de 300 gallons (1135 l); jusqu'à maximum de six mois pour les modèles non dotés d'un voyant indicateur de remplacement de filtre; jusqu'à maximum d'un an pour les modèles dotés d'un voyant indicateur de remplacement de filtre
- Exigence en matière de pression : 2,8 à 8,2 bar (40 à 120 psi), sans choc
- Température : 0,6°-38 °C (33°-100° F)
- Débit : 1,9 lpm (0,5 gpm)

Exigences générales d'installation/opération/entretien

- Rincez la nouvelle cartouche à plein débit pendant 3 minutes afin de libérer de l'air.
- Remplacez la cartouche lorsque le voyant clignote ou lorsque le débit d'eau est réduit pour les appareils sans voyants.

Avis spéciaux

- Les directives d'installation, la disponibilité de pièces et de service ainsi que la garantie standard sont expédiées avec le produit.
- Ce système d'eau potable doit être entretenu conformément aux directives du fabricant, y compris le remplacement des cartouches du filtre.
- N'utilisez pas lorsque l'eau présente un danger microbiologique ou lorsque l'eau est d'une qualité inconnue sans désinfecter adéquatement le système avant ou après; le système peut servir pour de l'eau désinfectée qui pourrait contenir des spores filtrables.
- Les contaminants ou autres substances retirées ou réduites par ce système de traitement de l'eau ne sont pas nécessairement dans votre eau.
- Vérifiez pour vous assurer de vous conformer aux lois et règlements locaux et de l'état.
- Notez que bien que l'essai a eu lieu dans des conditions normales de laboratoire, mais que le rendement réel peut varier. Les systèmes doivent être installés et fonctionner conformément aux procédures et directives recommandées par le fabricant.

Testée et certifiée selon les normes 42 et 53 de ANSI/NSF pour la réduction de :

Norme N° 42 : Effets esthétiques

Unité chimique
 L'odeur et le goût de chlore
 Unité de filtration mécanique
 Réduction de particules, catégorie I

Norme N° 53 : Effets de santé

Unité de réduction chimique
 Réduction alachlore et atrazine
 Réduction benzène et carbofuran
 Réduction 1,4 dichlorobenzène et 2,4-D
 Réduction plomb et lindane
 Réduction mercure et toxaphène
 Unité de filtration mécanique
 Réduction de turbidité
 Réduction de spores et amiante

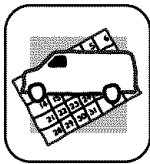


Soutien au consommateur.



Site Web appareils électroménagers GE www.electromenagersge.ca

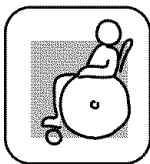
Vous avez une question ou vous avez besoin d'aide pour votre appareil électroménager? Contactez-nous par Internet au site www.electromenagersge.ca, tous les jours de l'année.



Service de réparations

1.800.561.3344

Service de réparations GE est tout près de vous.
Pour faire réparer votre électroménager GE, il suffit de nous téléphoner.



Studio de conception réaliste

Sur demande, GE peut fournir une brochure sur l'aménagement d'une cuisine pour les personnes à mobilité réduite.

Écrivez: Directeur, Relations avec les consommateurs, Mabe Canada Inc.
Bureau 310, 1 Factory Lane
Moncton, N.B. E1C 9M3

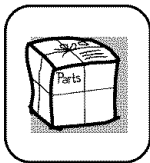


Prolongation de garantie

www.electromenagersge.ca

Achetez un contrat d'entretien GE avant que votre garantie n'expire et bénéficiez d'un rabais substantiel. Ainsi le service après-vente GE sera toujours là après expiration de la garantie.

Visitez notre site Web ou appelez-nous au 1.800.461.3636.



Pièces et accessoires

Ceux qui désirent réparer eux-mêmes leurs électroménagers peuvent recevoir pièces et accessoires directement à la maison (cartes VISA, MasterCard et Discover acceptées).

Les directives stipulées dans le présent manuel peuvent être effectuées par n'importe quel utilisateur. Les autres réparations doivent généralement être effectuées par un technicien qualifié. Soyez prudent, car une réparation inadéquate peut affecter le fonctionnement sécuritaire de l'appareil.

Vous trouverez dans les pages jaunes de votre annuaire le numéro du Centre de service Mabe le plus proche. Autrement, appelez-nous au 1.888.261.3055.



Contactez-nous

Si vous n'êtes pas satisfait du service après-vente dont vous avez bénéficié :

Premièrement, communiquez avec les gens qui ont réparé votre appareil.

Ensuite, si vous n'êtes toujours pas satisfait envoyez tous les détails—numéro de téléphone compris—au
Directeur, Relations avec les consommateurs, Mabe Canada Inc.
Bureau 310, 1 Factory Lane
Moncton, N.B. E1C 9M3



Inscrivez votre appareil électroménager www.electromenagersge.ca

Inscrivez votre appareil électroménager en direct, aussitôt que possible. Cela améliorera nos communications et notre service après-vente. Vous pouvez également nous envoyer par la poste le formulaire d'inscription joint à votre documentation.

Información de seguridad 76, 77

Instrucciones de operación

Cómo reemplazar
las bombillas de luz 88
Congelador 84
Cuidado y limpieza
del refrigerador 86, 87
El filtro de agua 80
Los controles del refrigerador 78-79
Máquina de hielo automática 85
Opciones de almacenamiento
de alimentos frescos 81-83

Instrucciones de instalación

Instalación de la tubería
del agua 98-100
Instalación del refrigerador 90-97
Preparación para
instalar el refrigerador 89

Solucionar problemas 101-104
Sonidos normales de la operación 101

Servicio al consumidor

Garantía para consumidores
en los Estados Unidos 106
Hoja de datos de funcionamiento 107
Servicio al consumidor 111

Anote aquí los números de modelo y de serie:

No. de modelo _____

No. de serie _____

Usted los verá en una etiqueta en el interior
del compartimiento de refrigerador sobre el lado
izquierdo, cerca del medio.

Seguridad
Operación
Instalación
Solucionar problemas
Servicio al consumidor

INFORMACIONES IMPORTANTES DE SEGURIDAD. LEA PRIMERO TODAS LAS INSTRUCCIONES.

Seguridad

⚠ ¡ADVERTENCIA!

Use este aparato sólo para los fines que se describen en este Manual del propietario.



PRECAUCIONES DE SEGURIDAD

Cuando use electrodomésticos, siga las precauciones básicas de seguridad, incluyendo las siguientes:

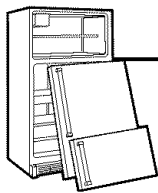
- Antes de usarse, este refrigerador deberá estar instalado y ubicado de acuerdo con las instrucciones de instalación.
 - No permita que los niños se suban, se paren o se cuelguen de las charolas del refrigerador. Podría dañarse el refrigerador y causarles serias lesiones.
 - No toque las superficies frías del congelador cuando tenga las manos húmedas o mojadas. La piel se podría adherir a las superficies extremadamente frías.
 - No guarde ni use gasolina u otros vapores o líquidos inflamables cerca de este o cualquier otro aparato.
 - Aleje los dedos fuera de las áreas donde se puede pinchar los dedos; los espacios entre las puertas y entre las puertas y los gabinetes son necesariamente estrechos. Cierre las puertas con cuidado en la presencia de los niños.
 - Si su refrigerador tiene un dispositivo automático para hacer hielo, evite el contacto con las partes móviles del mecanismo de expulsión, o con el elemento calefactor localizado en la parte inferior del dispositivo para hacer hielo. No ponga los dedos ni las manos en el mecanismo automático para hacer hielo mientras el refrigerador esté conectado.
 - Desconecte el refrigerador antes de limpiarlo o efectuar reparaciones.
- NOTA:** Recomendamos enfáticamente encargar cualquier servicio a un personal calificado.
- No vuelva a congelar los alimentos congelados una vez que se hayan descongelado.

Operación

Instalación

⚠ ¡PELIGRO! RIESGO DE QUE UN NIÑO PUEDA QUEDAR ATRAPADO

DESHACERSE DEBIDAMENTE DE SU REFRIGERADOR



El atrapamiento y la sofocación de los niños no son un problema del pasado. Los refrigeradores abandonados son un peligro...aunque sea sólo por "pocos días." Si se deshace de su viejo refrigerador, por favor siga las instrucciones abajo para ayudarnos a prevenir algún accidente.

Antes de deshacerse de su viejo refrigerador o congelador:

- Quite las puertas.
- Deje los entrapamientos en su sitio para que los niños no se suban.

Refrigerantes

Todos los aparatos de refrigeración contienen refrigerantes, los cuales se deben retirar antes de la eliminación del producto de acuerdo con la ley federal. Si va a desechar algún aparato antiguo de refrigeración, consulte con la compañía a cargo de desechar el aparato para saber qué hacer.

Solucionar problemas

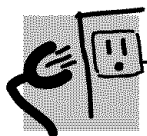
Servicio al consumidor

USO DE CABLES DE EXTENSION

Debido a los accidentes potenciales que pudieran ocurrir bajo determinadas condiciones, se recomienda estrictamente no usar cables de extensión.

Sin embargo, si decidiera usarlos, es absolutamente necesario que sea del tipo UL trifilar para aparatos y cuente con una clavija con conexión a tierra y que el cable eléctrico sea de 15 amperios (mínimo) y 120 voltios.

⚠ ¡ADVERTENCIA!



COMO CONECTAR LA ELECTRICIDAD

Bajo ninguna circunstancia debe cortar o quitar la tercera punta (tierra) de la clavija. Para su seguridad personal, este aparato deberá conectarse debidamente a tierra.

El cable eléctrico de este aparato está equipado con una clavija de tres puntas (tierra) que enchufa en un contacto estándar de pared de tres salidas (tierra) para reducir al mínimo la posibilidad de daños por un choque eléctrico con este aparato.

Haga que un electricista calificado verifique el enchufe de la pared y el circuito para asegurarse que la salida esté conectada debidamente a tierra.

Donde se disponga sólo de un contacto de pared con salida para dos puntas, es su responsabilidad personal y su obligación reemplazarlo por un contacto adecuado para tres puntas con conexión a tierra.

El refrigerador deberá conectarse siempre en su propio contacto eléctrico individual que tenga un voltaje que vaya de acuerdo con la tabla de clasificación.

Esto garantiza la mejor ejecución y evita la sobrecarga del circuito eléctrico de la casa y los daños a causa del sobrecalentamiento de los cables.

Nunca desconecte el refrigerador jalando el cable. Tome siempre firmemente la clavija y sáquela del contacto sin doblarla.

Repáre o reemplace inmediatamente todos los cables eléctricos de servicio que se hayan desgastado o dañado en alguna otra forma. No utilice cables que muestren roturas o daños por abrasión a lo largo de éste ni en la clavija o en alguno de sus extremos.

Al alejar su refrigerador de la pared, cuide que no pase sobre el cable o lo dañe.

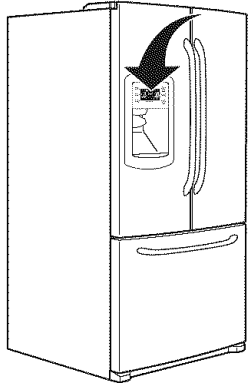


FAVOR DE LEER Y SEGUIR CUIDADOSAMENTE LAS PRECAUCIONES DE SEGURIDAD.

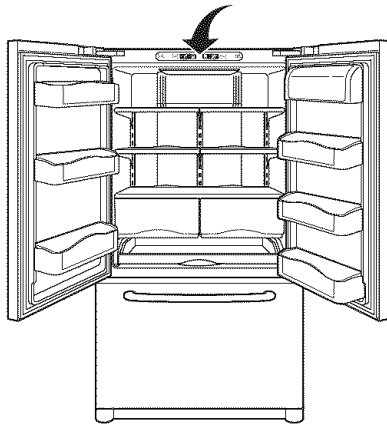
GUARDE ESTAS INSTRUCCIONES

Los controles con niveles de temperaturas.

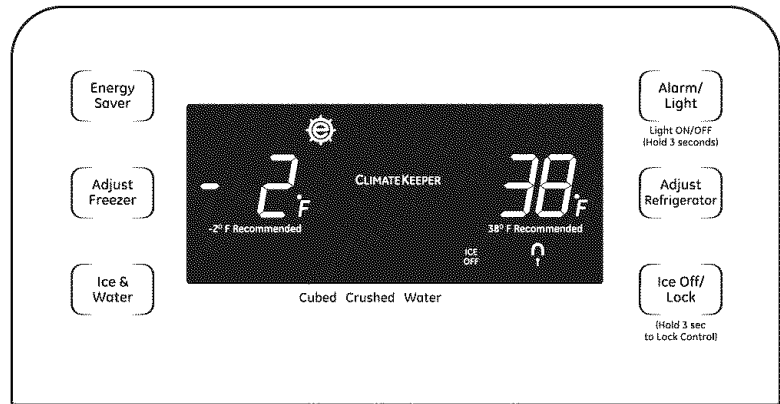
No todas las características se encuentran en todos los modelos. Sus controles se verán como alguno de los siguientes:



Ubicación de controles de dispensador



Ubicación de controles internos



Modelos de dispensador



Modelos de controles internos

NOTA: El refrigerador se envía con una película de protección que cubre los controles de la temperatura. Si esta película no se retiró durante la instalación, hágalo ahora.

Los controles de temperatura vienen preconfigurados de fábrica a **38° F** tanto para el compartimento del refrigerador y a **-2° F** para el compartimento del congelador. Deje pasar 24 horas para que la temperatura se estabilice en los niveles preconfigurados.

Los controles de la temperatura pueden exhibir tanto la temperatura establecida (**SET**) como la temperatura real en el refrigerador y en el congelador. La temperatura real puede variar ligeramente de la temperatura fijada según su uso y el ambiente de operación.

Cómo cambiar la temperatura

Modelos de dispensador:

Adjust Freezer

Para cambiar la temperatura, presione y libere el botón **Adjust Freezer** (ajuste del congelador) o **Adjust Refrigerator** (ajuste del refrigerador). La pantalla mostrará la temperatura real. Pulse el botón **Adjust Freezer** (ajuste del congelador) o **Adjust Refrigerator** (ajuste del refrigerador) hasta que aparezca la temperatura deseada.

Adjust Refrigerator

Una vez la temperatura deseada haya sido ajustada, la pantalla de la temperatura regresará a las temperaturas reales del refrigerador y del congelador después de 10 segundos. Puede que sean necesarios varios ajustes.

Cada vez que usted ajuste los controles, permita que transcurran 24 horas para que el refrigerador alcance la temperatura que usted ha ajustado

Freezer

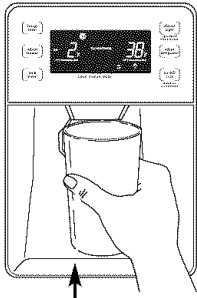
Modelos de controles internos:

Para cambiar la temperatura, presione y libere los botones **Freezer** (congelador) o **Fridge** (refrigerador). La pantalla mostrará la temperatura real. Presione el botón **Freezer** o **Fridge** hasta alcanzar la temperatura deseada.

Fridge

Una vez que se ha configurado la temperatura deseada, la pantalla de la temperatura volverá a las temperaturas reales del refrigerador y congelador después de 10 segundos. Pueden requerirse varios ajustes.


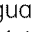

Cada vez que se ajustan los controles, permita que transcurran 24 horas para que el refrigerador alcance la nueva temperatura configurada.



Recogedor



Para usar el dispensador (en algunos modelos)

Seleccione **Cubed Ice** (cubitos) , **Crushed Ice** (triturado)  o **Water** (agua)  presionando el botón **Ice & Water** (hielo y agua).

Presione el vaso suavemente contra la parte superior del dispensador.

El estante de derrames no es auto-vaciante. Para reducir las manchas de aguas, el estante debe limpiarse regularmente.

Si no se dispensa agua cuando el refrigerador recién se instala, puede haber aire en el sistema de línea de agua. Presione el brazo del dispensador por lo menos durante dos minutos para quitar el aire atrapado de la línea de agua y para llenar el sistema de agua. Para purgar las impurezas de la línea de agua, elimine los primeros seis vasos llenos de agua.

⚠ PRECAUCIÓN:

Nunca coloque los dedos o cualquier otro objeto dentro de la abertura de descarga de la trituradora de hielo.

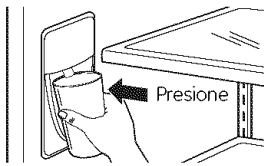


(Hold 3 sec to Lock Control)

Para trabar y destrabar el dispensador (en algunos modelos)

Para trabar, presione y sostenga el botón **Ice Off/Lock** (apagado hielo/trabado) durante

3 segundos. Repita este paso para destrabar el dispensador.



Dispensador interno de agua (en algunos modelos)

Para usar el dispensador interno de agua, coloque un vaso debajo de la salida de agua y presiónelo suavemente contra el dispensador.

Información importante sobre su dispensador

- No agregue hielo de cubeteras o de bolsas en el cajón de almacenamiento. Puede que no se triture o se dispense bien.
- Evite sobrellenar el vaso con hielo y el uso de vasos angostos. El hielo trabado puede obstruir la tolva o hacer que la puerta de la tolva se congele y cierre. Si hay hielo bloqueando la tolva, atraviéselo con una cuchara de madera.
- Las bebidas y los alimentos no deben enfriarse rápidamente en el cajón de almacenamiento de hielo. Las latas, botellas o paquetes de alimentos del cajón de almacenamiento pueden hacer que la máquina de hielo o la barrena se traben.

- Para evitar que el hielo caiga fuera de los vasos, coloque el vaso cerca pero sin tocar la abertura del dispensador.
- Puede dispensarse algo de hielo triturado aunque haya seleccionado **Cubed Ice** (hielo en cubitos). Esto sucede ocasionalmente cuando algunos cubitos se dirigen accidentalmente a la trituradora.
- Después de dispensar hielo triturado, puede gotear algo de agua desde la tolva.
- A veces se forma una pequeña cantidad de nieve en la puerta en la tolva de hielo. Esta condición es normal generalmente sucede cuando ha dispensado hielo triturado repetidamente. La nieve finalmente se evaporará.



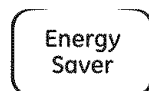
Light ON/OFF (Hold 3 seconds)

Sobre la alarma de la puerta (en algunos modelos)

La alarma de la puerta comenzará a sonar si cualquier de las puertas queda abierta por más de 3 minutos. Una vez que se cierra la puerta, el sonido para.

Sobre la luz del dispensador (en algunos modelos)

Presione y sostenga el botón **Alarm/Light** (alarma/luz) durante 3 segundos para **encender** la luz del dispensador. Para **apagarla**, presione y sostenga el botón de nuevo durante 3 segundos.



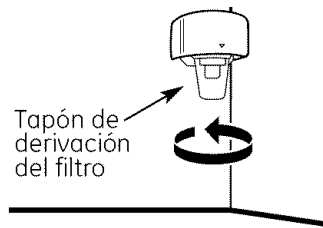
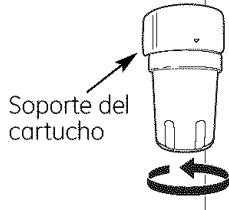
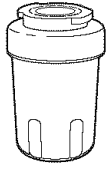
Sobre Energy Saver (Ahorro de Energía)

Este producto está equipado con una característica de ahorro de energía. El refrigerador se empaqueta con la característica de ahorro de energía encendida.

Con el tiempo, puede formarse humedad en la superficie frontal del gabinete

del refrigerador y provocar corrosión. Si aparece humedad en la superficie frontal del gabinete del refrigerador, **apague** la característica de ahorro de energía presionando y liberando el botón **Energy Saver** en el panel de control.

El filtro de agua.



Cartucho del filtro

El cartucho del filtro de agua está ubicado en la esquina superior derecha trasera del compartimento del refrigerador.

Reemplazar el filtro

El cartucho del filtro debe cambiarse cada seis meses o si disminuye el flujo de agua hacia el dispensador.

Instalar el cartucho del filtro

- 1 Si está reemplazando el cartucho, primero retire el anterior girándolo lentamente en sentido contrario de las agujas del reloj. Puede chorrear una pequeña cantidad de agua.

⚠ PRECAUCIÓN:

Si se ha quedado aire atrapado en el sistema, el cartucho del filtro podría ser expulsado conforme es removido. Use precaución cuando lo remueva.

- 2 Retire el papel de aluminio protector del extremo del cartucho.
- 3 Alinee la flecha del cartucho y el soporte del cartucho, coloque la parte superior del nuevo cartucho hacia arriba dentro del soporte. No lo empuje dentro del soporte. Lentamente gire el cartucho en sentido de las agujas del reloj hasta que se detenga. Mientras gira el cartucho, se colocará automáticamente en su posición. El cartucho girará alrededor de 1/4 de giro. **No lo apriete demasiado.**
- 4 Pase agua por el dispensador por 3 minutos (aproximadamente 1½ galones) para despejar el sistema y para evitar chisporroteos. Ver la sección *Cómo usar el dispensador*.

NOTA: Un cartucho del filtro recién instalado **podría causar que el agua chisporrotee** desde el dispensador.

Tapón de derivación del filtro

Se debe usar el tapón de derivación del filtro cuando un cartucho de filtro de reemplazamiento no se puede encontrar. El dispensador y el dispositivo para hacer hielo no pueden funcionar sin el filtro o sin el tapón de derivación del filtro.

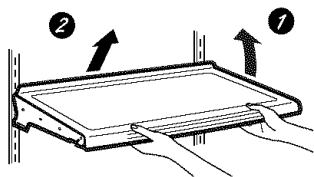
Filtros de recambio:

Para pedir cartuchos adicionales en los Estados Unidos, visite nuestro sitio Web, ge.com, o llame a GE para partes y accesorios al 800.626.2002.

Modelo MWF

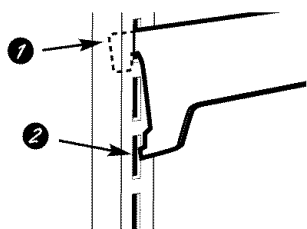
Reorganización de los estantes

Los estantes en el compartimiento del refrigerador son ajustables.



Para retirar:

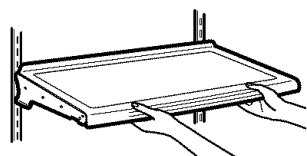
- 1 Quite todos los elementos del estante.
- 2 Incline el estante en la parte del frente.
- 3 Levante el estante hacia arriba en la parte de atrás y saque el estante.



Para reemplazar:

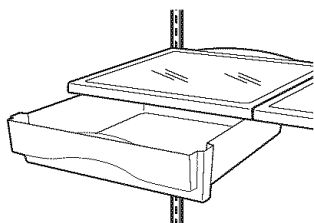
- 1 Mientras inclina el estante hacia arriba, inserte el gancho superior en la parte posterior del estante en la ranura de la corredera.
- 2 Baje el frente del estante hasta que la parte inferior del estante se ajuste en su lugar.

Estantes a prueba de salpicaduras



Los estantes a prueba de salpicaduras tienen bordes especiales para evitar que las salpicaduras se rieguen a los estantes inferiores.

Bandeja de snacks desmontable

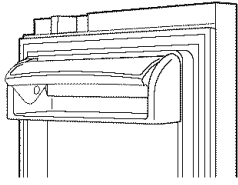


La ubicación de la bandeja de snacks es ajustable y puede cambiarse como las otras bandejas.

Para quitar:

- 1 Tire de la bandeja de snacks hacia afuera hasta que se detenga.
- 2 Levante la bandeja para quitarla.

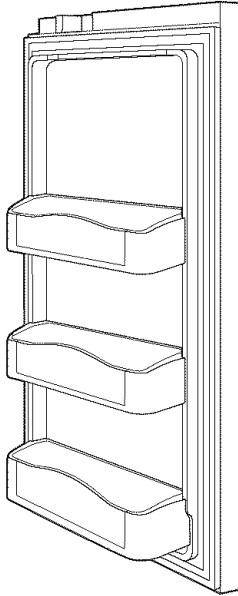
Sobre las opciones de almacenamiento de alimentos frescos.



Gaveta para lácteos no ajustable

Para retirar: Levante la gaveta de lácteos hacia arriba, luego tire hacia afuera.

Para reemplazar: Enganche la gaveta en los soportes moldeados de la puerta y presione hacia abajo. La gaveta se trabará en su lugar.



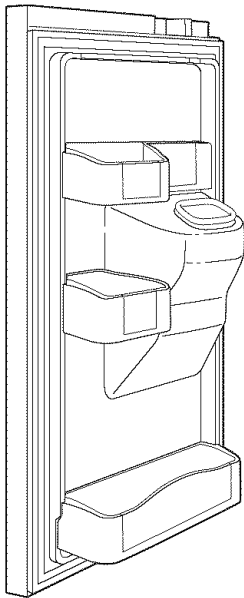
Compartimientos ajustables en la puerta

Los compartimientos ajustables pueden llevarse fácilmente del refrigerador al área de trabajo.

Para retirar: Levante el estante recto y luego hálelo.

Para reemplazar o cambiar de lugar: Deslice el compartimiento justo encima de los soportes de la puerta, y presione hacia abajo. El compartimiento se trabará en su lugar.

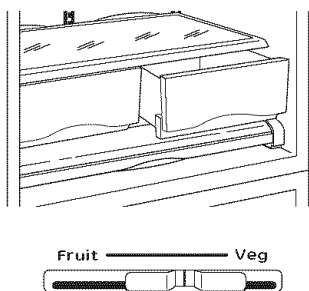
NOTA: En modelos sin despensa de ancho completo, la ubicación del recipiente inferior de la puerta no es ajustable.



Compartimientos no ajustables en la puerta (en algunos modelos)

Para retirar: Levante el compartimiento recto y luego hálelo.

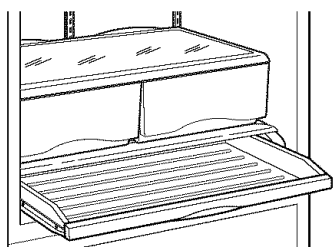
Para reemplazar: Inserte el compartimiento en los soportes moldeados en la puerta y empuje hacia abajo. Éste se ajustará en su lugar.



Gaveta preservadora de frutas y vegetales

Para un fácil acceso, mantenga las frutas y las verduras organizadas en compartimientos separados.

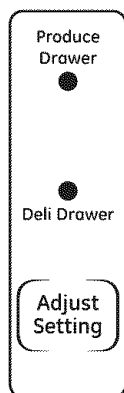
El exceso de agua que pueda acumularse al fondo de las gavetas debe retirarse y se deben limpiar las gavetas.



Cajón ajustable para Deli/Verduras y frutas (en algunos modelos)

El cajón ajustable para Deli/Verduras y frutas es un cajón de ancho completo con control de temperatura ajustable. Este cajón puede utilizarse para una amplia variedad de productos.

Hay un control de temperatura que puede ajustar la cantidad de aire frío que ingresa al cajón.



Control

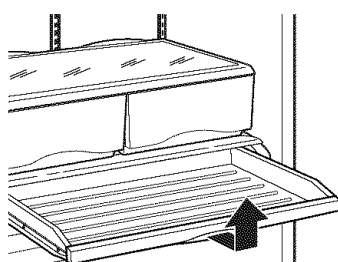
Cuando se selecciona **Produce Drawer** (cajón de verduras y frutas), la temperatura del cajón puede mantenerse alrededor de los 38° F (3° C). Esta característica también ayuda a mantener los alimentos frescos durante un período prolongado.

NOTA: Las frutas y vegetales pueden dañarse con la configuración **Deli Drawer** (cajón para Deli). No guarde lechuga u otro vegetal de hojas en este cajón.

⚠ PRECAUCIÓN: No guarde botellas de vidrio en este cajón. Si se congelan, pueden romperse y provocar lesiones personales.

Cuando se selecciona **Deli Drawer** (cajón para Deli), la temperatura del cajón puede mantenerse alrededor de los 34° F (1° C). Esta característica también ayuda a mantener carnes y pescados frescos durante un período más prolongado.

El control está ubicado en el lado derecho del cajón.



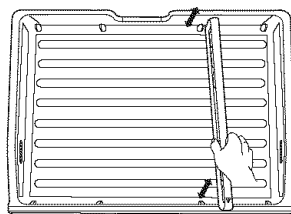
Cómo quitar y volver a colocar el cajón ajustable de Deli/Verduras y frutas

Para retirar:

- 1 Tire del cajón hacia afuera hasta que se detenga.
- 2 Levante el frente del cajón hacia arriba y luego afuera.

Para reemplazar:

- 1 Levante la tapa hacia arriba.
- 2 Enganche los rodillos dentro de los rieles laterales.
- 3 Presione el cajón hacia adentro (hasta que esté en su lugar).



Cómo quitar y volver a colocar la división de cajón

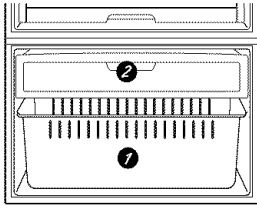
Para retirar:

- 1 Tire del cajón hacia afuera hasta que se detenga.
- 2 Levante el lado frontal de la división para desengancharla de la pared trasera del cajón.

Para reemplazar:

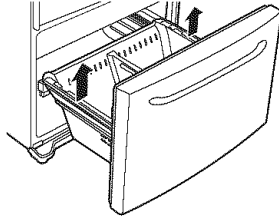
- 1 Enganche la parte trasera de la división sobre la pared trasera del cajón.
- 2 Presione la división hacia abajo.

Sobre el congelador.



Estante y canasta del congelador

- 1 Canasta.
- 2 Gaveta.



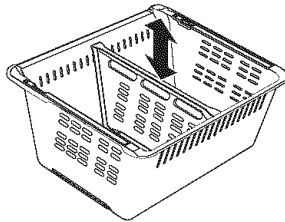
Retiro de la canasta

Para retirar:

- 1 Quite la gaveta del congelador. (Ver abajo).
- 2 Tire del cajón hacia afuera hasta que se detenga.
- 3 Incline hacia arriba la parte trasera de la gaveta.
- 4 Levántela para quitarla.

Para reemplazar:

- 1 Coloque la canasta sobre el montaje de rieles.



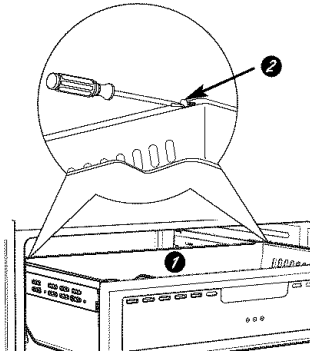
Remoción de la división de la canasta

Para retirar:

- 1 Tire la canasta hacia afuera hasta que se detenga.
- 2 Incline hacia arriba la parte trasera de la gaveta.
- 3 Levántela para quitarla.

Para reemplazar:

- 1 Enganche los extremos superiores de la división sobre el orificio de la canasta.



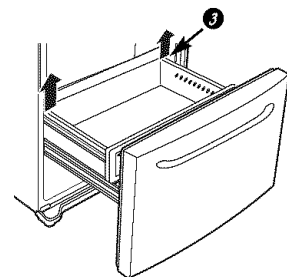
Retiro de la gaveta

Para retirar:

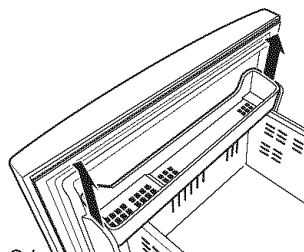
- 1 Tire del cajón hacia afuera hasta que se detenga.
- 2 Quite ambas perillas laterales con un destornillador de cabeza plana.
- 3 Incline hacia arriba la parte trasera del cajón, levántelo y quitelo.

Para reemplazar:

- 1 Tire ambos rieles hacia afuera hasta que se detenga.
- 2 Coloque el cajón sobre los rieles y enganche el soporte dentro de las ranuras ubicadas en el lado del cajón.
- 3 Vuelva a colocar la perilla lateral y presione el cajón hasta su lugar.



⚠ ADVERTENCIA: No pierda las perillas laterales durante el desmontaje ya que pueden provocar un peligro de atragantamiento para los niños.

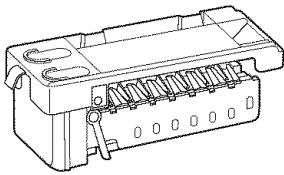


Gaveta no ajustable en el congelador

Para retirar: Tire de los soportes hacia arriba hasta escuchar un "clic" y quite la gaveta.

Para reemplazar: Enganche los extremos de la gaveta dentro de ambos soportes y presione hacia abajo hasta que la gaveta se trabe en su lugar.

Un refrigerador recientemente instalado puede tomar entre 12 y 24 horas para empezar a hacer hielo.



Ice Off/
Lock

Ice Off

Máquina de hielo automática

La máquina de hielos producirá siete cubos por ciclo, aproximadamente entre 100 y 130 cubos en un periodo de 24 horas, dependiendo de la temperatura del compartimiento del congelador, la temperatura del cuarto, el número de veces que se abre la puerta y otras condiciones de uso.

Si se utiliza el refrigerador antes de que se realice la conexión de agua hacia la máquina de hielo, presione y libere los botones **Ice Off/Lock** (hielo apagado/bloqueo) o **Ice Off** (hielo apagado) del panel de control para desconectar la máquina de hielo.

Cuando el refrigerador se ha conectado al suministro de agua, presione y libere los botones **Ice Off/Lock** o **Ice Off** del panel de control para conectar la máquina de hielo.

Un refrigerador recién instalado se puede tomar entre 12 y 24 horas para empezar a hacer cubos de hielo.

Escuchará un zumbido cada vez que la máquina de hielos se llene de agua.

Deseche los primeros cubos de hielo para permitir que la línea del agua se limpie.

Asegúrese de que nada interfiera con el movimiento del brazo indicador.

Cuando el contenedor se llene al nivel del brazo indicador, la máquina de hielos dejará de producir hielos. Es normal que varios cubos de hielo se junten.

Si el hielo no se usa con frecuencia, los cubos de hielo viejo se volverán turbios, con sabor rancio y se encogerán.

NOTA: En hogares con presión de agua inferior al promedio, es posible que escuche el ciclo de la máquina de hielos varias veces al hacer un lote de hielo.

NOTA: Encienda la característica **Ice Off** (apagado hielo) si el suministro de agua está apagado.

Cuidado y limpieza del refrigerador.

Seguridad

Operación

Instalación

Solucionar problemas

Servicio al consumidor

Limpiar el exterior

Las manijas de la puerta y los ornamentos. Se limpian con un paño humedecido con una solución de detergente suave y agua. Seque con un paño suave. No use cera en las manijas de la puerta ni en los ornamentos.

Mantenga limpio el terminado. Limpie con un paño limpio ligeramente humedecido con cera para aparatos de cocina o un detergente suave y agua. Seque y pula con un paño limpio y suave.

No limpie el refrigerador con un paño sucio para trastes ni con un paño húmedo. Estos podrían dejar residuos que afecten a la pintura. No use estropajos, limpiadores en polvo, blanqueadores ni limpiadores que contengan blanqueador, ya que estos productos podrían rayar y desprender el acabado de pintura.

Los paneles y las manijas de las puertas de acero inoxidable. Acero inoxidable (en algunos modelos) pueden ser limpiados con un limpiador para acero inoxidable para usos comerciales.

No utilice cera para electrodomésticos sobre el acero inoxidable.

Piezas plásticas plateadas. Lave las piezas con jabón u otro detergente suave. Limpie con una esponja, paño húmedo o toalla de papel.

No raspe con esponjillas de metal u otros limpiadores abrasivos.

Limpiar el interior

Para evitar olores, deje una caja abierta de bicarbonato de sodio en los compartimientos del refrigerador y del congelador.

Desconecte el refrigerador antes de limpiarlo. Si no fuera posible, exprima el exceso de humedad de la esponja o del paño cuando se limpie alrededor de botones, bombillas o controles.

Use cera para electrodomésticos en el interior entre las puertas.

Use agua caliente y una solución de bicarbonato de sodio—aproximadamente una cucharada (15 ml) de bicarbonato de sodio por cada cuarto (1 litro) de agua. Esta solución limpia y neutraliza olores. Enjuague y seque.

Después de limpiar los sellos magnéticos de las puertas, aplique una capa delgada de vaselina del lado de la bisagra. Esto ayuda a evitar que los sellos magnéticos se doblen o se peguen.

Evite limpiar los estantes de vidrio fríos con agua caliente, ya que la extrema diferencia de temperatura puede hacer que se quiebren. Maneje los estantes de vidrio con cuidado. Chocar vidrio templado puede hacer que se rompa en pedazos.

No lave partes plásticas del refrigerador en el lavaplatos.

Piezas plásticas plateadas. Limpie las piezas con agua jabonosa. Limpie con una esponja, paño húmedo o toalla de papel.

No raspe con esponjillas de metal u otros limpiadores abrasivos.

Atrás del refrigerador

Se deberá tener cuidado al retirar el refrigerador de la pared. Todos los tipos de recubrimiento de pisos se pueden dañar, sobre todo los recubrimientos acojinados y los que tienen superficies repujadas.

Eleve las patas niveladoras ubicadas en la parte inferior frontal del refrigerador. Ver *Cómo nivelar el refrigerador* en las *Instrucciones de instalación* para detalles sobre las patas de nivelación.

Hale el refrigerador en forma recta y empuje nuevamente para devolverlo a su posición.

Mover el refrigerador en dirección lateral puede causar daños al recubrimiento del piso o al refrigerador.

Baje las patas niveladoras hasta que toquen el piso.

Al empujar el refrigerador a su lugar, asegúrese de no pasar sobre el cable eléctrico ni sobre la línea de alimentación de la máquina de hielos (en algunos modelos) y asegure que el soporte anti-volcaduras esté accionado (si corresponde).

Preparación para vacaciones




En el caso de vacaciones o ausencias prolongadas, quite los alimentos y desenchufe el refrigerador. Limpie el interior con solución de bicarbonato de una cucharada (15 ml) de bicarbonato por un cuarto (1 litro) de agua. Deje abiertas las puertas.

Presione y libere el botón **Ice Off/Lock** (apagado hielo/bloqueado) o el botón **Ice Off** (apagado hielo) del panel de control para desactivar la máquina de hielo.

Si la temperatura pueda llegar al punto de congelación, haya una persona calificada para desaguar el sistema del suministro de agua para evitar daños a la propiedad causados por inundación.

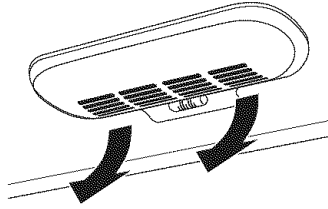
En caso de mudanza

Asegure todos los elementos sueltos como parrilla de la base, entrepaños y recipientes pegándolos con cinta adhesiva en su lugar para evitar daños.

Al usar una carretilla para mover el refrigerador, no haga descansar la parte frontal o trasera del refrigerador contra la carretilla. Esto podría dañar el refrigerador. Manéjelo sólo desde los laterales del refrigerador.

Asegúrese de que el refrigerador se coloque en posición vertical durante la mudanza.

Cómo reemplazar las bombillas.

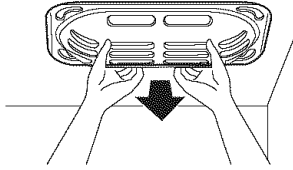


Luces del refrigerador

- 1 Desenchufe el cable de energía del tomacorriente.
- 2 Gire la cubierta hacia abajo mientras presiona las dos lengüetas de la parte trasera de la cubierta para quitarla.
- 3 Gire la bombilla en sentido contrario de las agujas del reloj.

- 4 Coloque una bombilla para electrodomésticos del mismo vataje o menor.
- 5 Vuelva a colocar la cubierta.
- 6 Vuelva a enchufar el refrigerador.

NOTA: Las bombillas para electrodomésticos Reveal® pueden solicitarse en Piezas y Accesorios de GE, 800.626.2002.



Luz del congelador

⚠ PRECAUCIÓN:

Las bombillas podrían estar calientes.

- 1 Desenchufe el cable de energía del tomacorriente.
- 2 Tire el cajón hacia afuera hasta que se detenga.
- 3 Gire la cubierta hacia abajo mientras la empuja hacia atrás para quitarla.

- 4 Gire la bombilla en sentido contrario de las agujas del reloj.
- 5 Coloque una bombilla para electrodomésticos del mismo vataje o menor.
- 6 Vuelva a colocar la cubierta.
- 7 Vuelva a enchufar el refrigerador.

NOTA: Las bombillas para electrodomésticos Reveal® pueden solicitarse en Piezas y Accesorios de GE, 800.626.2002.

Instrucciones para la Instalación

Refrigerador

Modelo 26

¿Preguntas? Llame al 800.GE.CARES (800.432.2737) o bien Visite nuestra página Web: ge.com

ANTES DE INICIAR

Lea estas instrucciones completa y cuidadosamente.

- **IMPORTANTE** — Guarde estas instrucciones para uso del inspector local.
- **IMPORTANTE** — Observe todos los códigos y órdenes de ley.
- **Nota al instalador** – Asegúrese de dejar estas instrucciones con el consumidor.
- **Nota al consumidor** – Conserve estas instrucciones para referencia futura.
- **Nivel de destreza** – La instalación de este aparato requiere de destrezas mecánicas básicas.
- **Tiempo de ejecución** – Instalación del refrigerador 20 minutos
Instalación de la línea de agua 30 minutos
- La instalación apropiada es la responsabilidad del instalador.
- La falla del producto debido a una instalación inadecuada no está cubierta por la garantía.

PREPARACIÓN

CÓMO MOVER EL REFRIGERADOR AL INTERIOR

Si el refrigerador no entra por una puerta, se pueden retirar las puertas del refrigerador y la gaveta del congelador.

- Para retirar la puerta del refrigerador, consulte la sección *Instalación del refrigerador*.
- Para retirar la gaveta del congelador, consulte la sección *Cómo retirar la gaveta del congelador*.

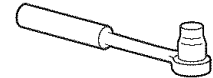
SUMINISTRO DE AGUA HACIA LA MÁQUINA DE HIELOS Y EL DISPENSADOR (EN ALGUNOS MODELOS)

Si el refrigerador tiene una máquina de hielos, se tendrá que conectar a una tubería de agua potable fría. Un kit de suministro de agua (contiene tubería de cobre, válvula de cierre, accesorios e instrucciones) está disponible con un costo adicional a través de su proveedor, visitando nuestra página Web ge.com o bien a través de Partes y Accesorios, 800.626.2002.

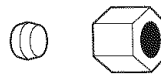
HERRAMIENTAS QUE USTED PUEDE NECESITAR



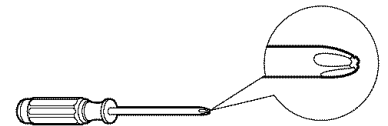
Llave ajustable



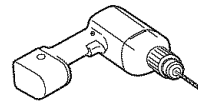
Destornillador de casquillo de 10 mm



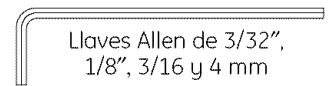
Tuerca de compresión de 1/4" y férula (manga) (modelos con máquina de hielos solamente)



Destornillador Phillips



Broca de perforadora de 1/8" y perforadora eléctrica o de mano



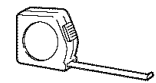
Llaves Allen de 3/32", 1/8", 3/16 y 4 mm



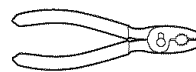
Destornillador plano



Lápiz



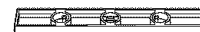
Cinta métrica



Alicates

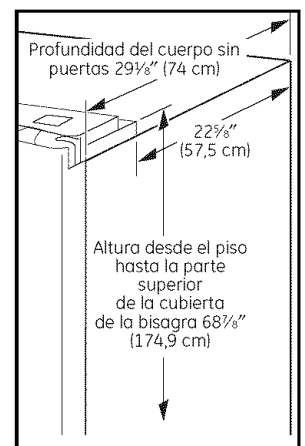
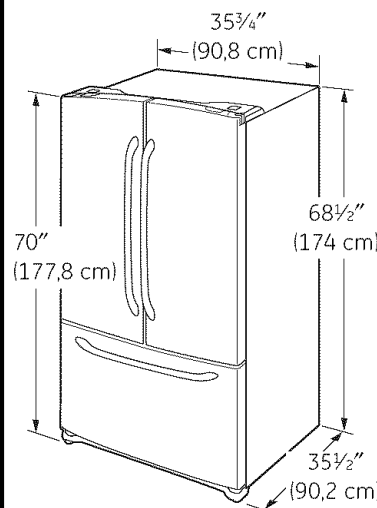


Llave de tuercas de 1/4"



Nivel

DIMENSIONES



Dimensiones adicionales

Instrucciones para la instalación

INSTALACIÓN DEL REFRIGERADOR

UBICACIÓN DEL REFRIGERADOR

- No instale el refrigerador donde la temperatura baje de 60° F (16° C) ya que no correrá con suficiente frecuencia para mantener las temperaturas apropiadas.
- No instale el refrigerador donde la temperatura suba por encima de 100° F (37° C) ya que no funcionará correctamente.
- Instálelo en un piso fuerte para que lo soporte con carga completa.

ESPACIO LIBRE

Permita el siguiente espacio para una fácil instalación, apropiada circulación del aire y conexiones de plomería y eléctricas:

Costados	1/8" (3 mm)
Arriba	1" (25 mm)
Atrás	1" (25 mm)

PARA QUITAR LAS PUERTAS DEL REFRIGERADOR

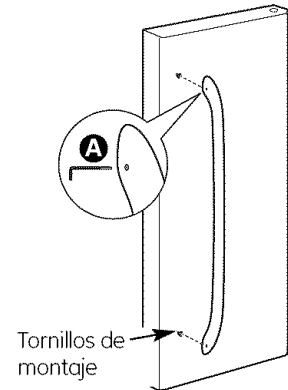
- **NOTA IMPORTANTE:** Este refrigerador tiene una profundidad de 35,6 pulgadas. Las puertas y los pasillos que llevan a la ubicación de la instalación deben tener un ancho de por lo menos 36 pulgadas para dejar las puertas y las manijas conectadas al refrigerador mientras éste se transporta a la ubicación de la instalación. Si los pasillos tiene menos que 36 pulgadas, las puertas y las manijas del refrigerador se pueden rayar y dañar con facilidad. Se pueden retirar la tapa superior y las puertas para permitir el traslado seguro del refrigerador al interior. Empiece con el Paso 1.
- Pase hasta el paso 9 si no se necesita retirar las puertas. Deje la cinta y todo el embalaje en las puertas hasta que el refrigerador se encuentre en su destino final.
- **NOTA:** Utilice una carretilla de mano almohadillada para trasladar el refrigerador. Coloque el refrigerador en la carretilla de mano con un costado contra la carretilla. Recomendamos fuertemente que **DOS PERSONAS** trasladen y completen la instalación.

1 RETIRE LA MANIJA DE LA PUERTA DE ALIMENTOS FRESCOS

Manija de acero inoxidable y de plástico:

- **A** COMO REMOVER LA MANIJA DE LA PUERTA: Afloje los tornillos de fijación con una llave Allen de 1/8" y retire la manija.

NOTA: Para ajustar o retirar los tornillos de montaje de la manija, utilice el destornillador Phillips.

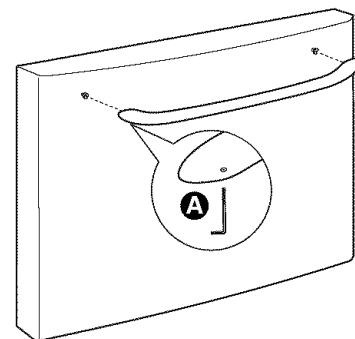


2 RETIRE LA MANIJA DE LA PUERTA DEL CONGELADOR

Manijas de acero inoxidable y de plástico:

- **A** Afloje los tornillos de fijación ubicados en la parte inferior de la manija con una llave Allen de 1/8" y retire la manija.

NOTA: Para ajustar o retirar los tornillos de montaje de la manija, utilice el destornillador Phillips.

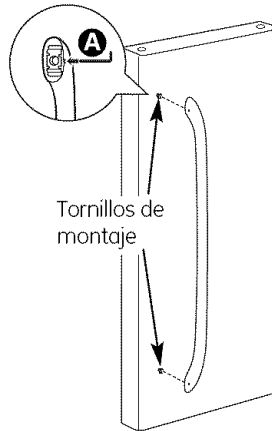


Instrucciones para la instalación

3 SUJETE LA MANIJA DE LA PUERTA DE ALIMENTOS FRESCOS

Manija de acero inoxidable y de plástico:

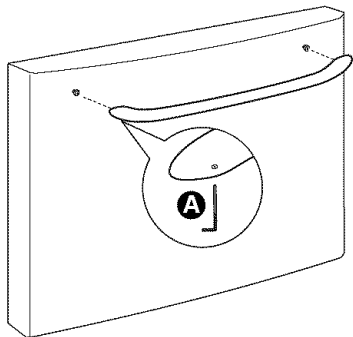
- A Sujete la manija a los tornillos de montaje y ajuste los tornillos de fijación con una llave Allen de 1/8".



4 SUJETE LA MANIJA DE LA PUERTA DEL CONGELADOR

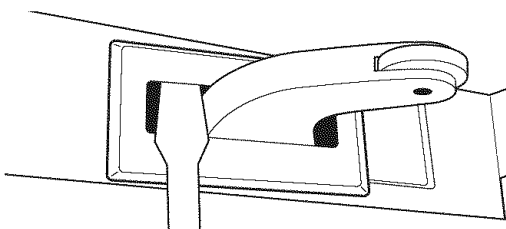
Manijas de acero inoxidable y de plástico:

- A Sujete la manija firmemente a los tornillos de montaje y ajuste los tornillos de fijación en la parte inferior de la manija con una llave Allen de 1/8".



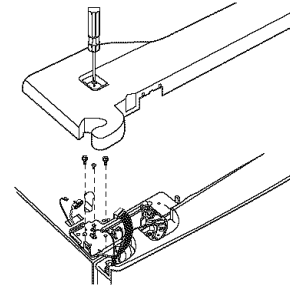
5 CÓMO QUITAR LAS PUERTAS DEL REFRIGERADOR

- A Abra las puertas del refrigerador.
- B Quite las dos tapas rectangulares con un destornillador de cabeza plana.

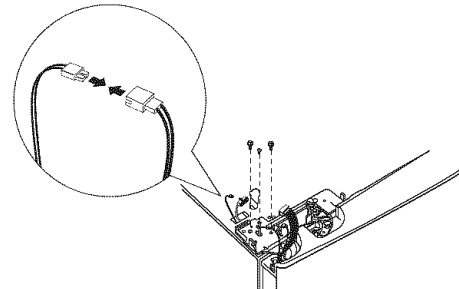


5 CÓMO QUITAR LAS PUERTAS DEL REFRIGERADOR (cont.)

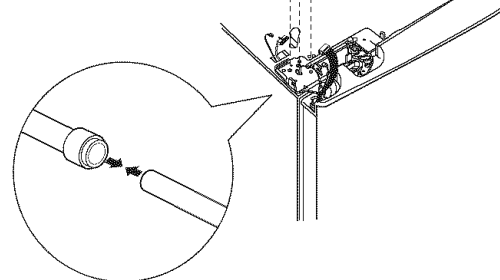
- C Quite los tres tornillos de la parte superior con un destornillador Phillips.



- D Desconecte los dos conectores eléctricos.

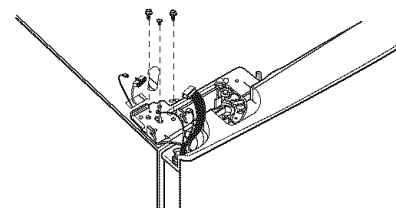


- E Para desconectar la conexión de agua, presione sobre el color gris de la conexión y tire de la tubería.



- F Quite los dos cables de conexión a tierra con un destornillador Phillips.

- G Quite los tres pernos de cabeza hexagonal de 10 mm (derecha e izquierda).



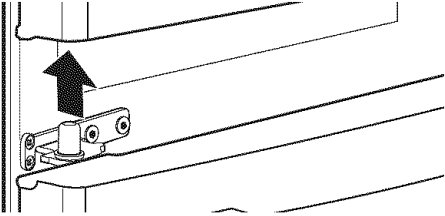
⚠ PRECAUCIÓN: Cuando quita los pernos, la puerta puede caer y provocar lesiones personales y/o daños a la puerta misma.

Instrucciones para la instalación

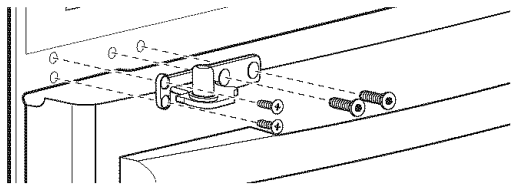
INSTALACIÓN DEL REFRIGERADOR (cont.)

5 CÓMO QUITAR LAS PUERTAS DEL REFRIGERADOR (cont.)

H Levante la puerta hacia arriba para quitarla.

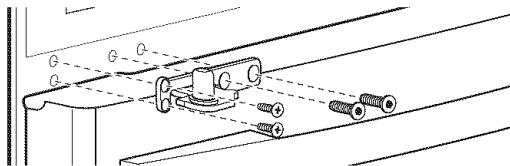


I Quite los dos pernos utilizando una llave Allen de 3/16" y los dos tornillos Phillips de la bisagra central. Separe la bisagra, los pernos y tornillo.

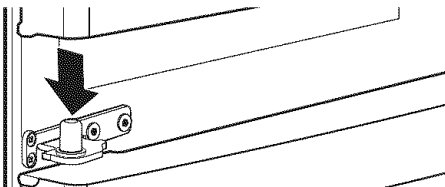


6 CÓMO VOLVER A COLOCAR LAS PUERTAS DEL REFRIGERADOR

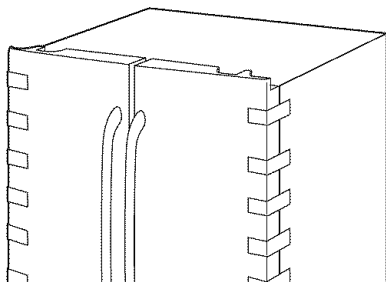
A Instale la bisagra central en cada lado.



B Baje la puerta del refrigerador sobre el perno de la bisagra central. Verifique que el capuchón plástico del perno de la bisagra esté sobre el perno de la bisagra central o dentro del orificio del perno de la bisagra de la puerta ubicado en la parte inferior de la puerta.

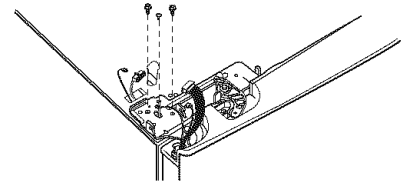


C Coloque cinta para que la puerta no se abra o solicite a una segunda persona que sostenga la puerta.

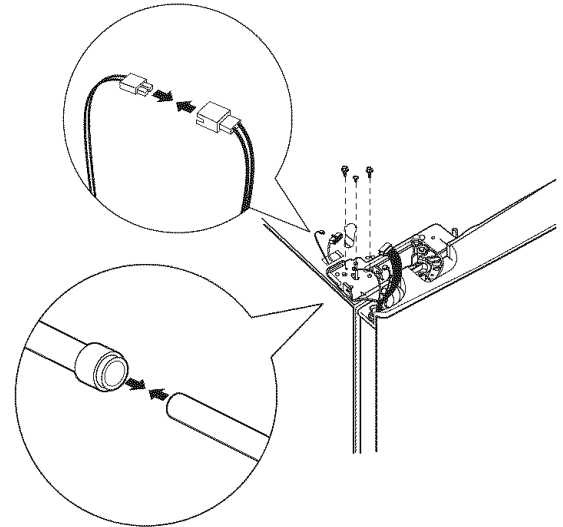


6 CÓMO VOLVER A COLOCAR LAS PUERTAS DEL REFRIGERADOR (cont.)

D Introduzca el perno de la bisagra superior dentro del orificio de la bisagra de la parte superior de la puerta del refrigerador. Verifique que la puerta esté alineada con el gabinete y la puerta opuesta. Conecte la bisagra a la parte superior del gabinete. No ajuste los pernos por completo.



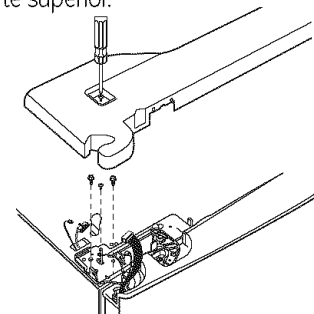
E En las puertas de la izquierda, pase los cables y línea de agua a través del perno de la bisagra superior. Luego conecte la línea de agua y los dos conectores.



F Conecte el cable a tierra con un destornillador Phillips sobre las bisagras derecha e izquierda.

G Verifique que la junta de la puerta esté nivelada con el gabinete y que no esté doblada. Verifique que la puerta esté derecha y que el espacio entre las puertas esté nivelado en el frente. Mientras sostiene la puerta alineada en su lugar, ajuste los pernos de la bisagra superior.

H Vuelva a instalar los dos conectores sobre cada lado de la tapa superior y vuelva a conectar los tres tornillos Phillips en la parte superior.

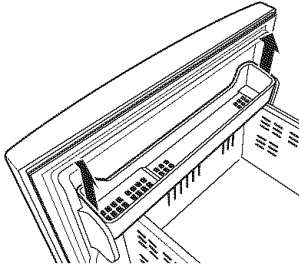


I Reinstale las tapas rectangulares removidas en el paso 5.

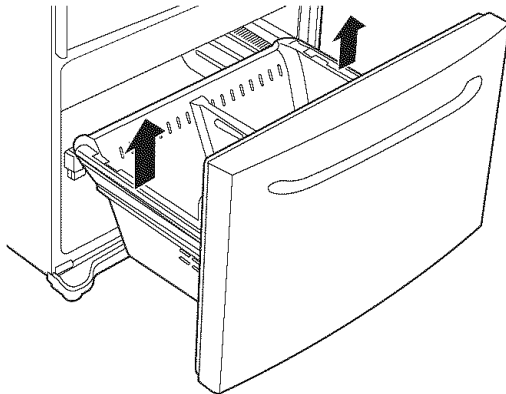
Instrucciones para la instalación

7 QUITE LA PUERTA DEL CONGELADOR

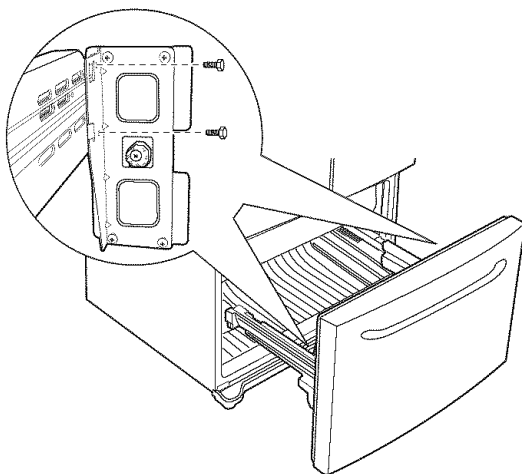
- A** Abra la puerta del congelador al máximo.
- B** Quite la gaveta del congelador tirando de ambos soportes hacia arriba al mismo tiempo. (Ver página 84.)



- C** Quite la canasta inferior levantándola del sistema de rieles. (Ver página 84.)

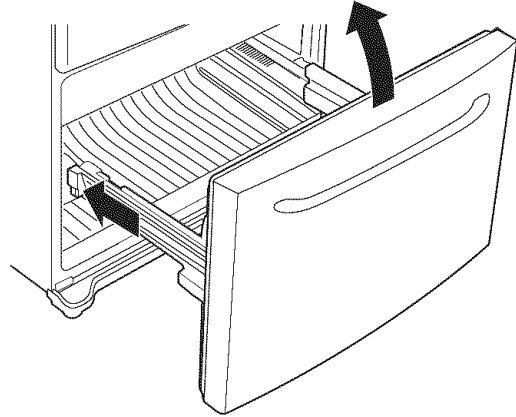


- D** Quite los dos pernos hexagonales de 10 mm de los lados derecho e izquierdo.



7 QUITE LA PUERTA DEL CONGELADOR (cont.)

- E** Use la punta del destornillador para separar el riel de la tapa del riel. Incline el extremo frontal hacia arriba y levante toda la puerta.



- F** Coloque el frente de la puerta sobre una superficie que no raye.

- G** Empuje los montajes de rieles dentro del gabinete.

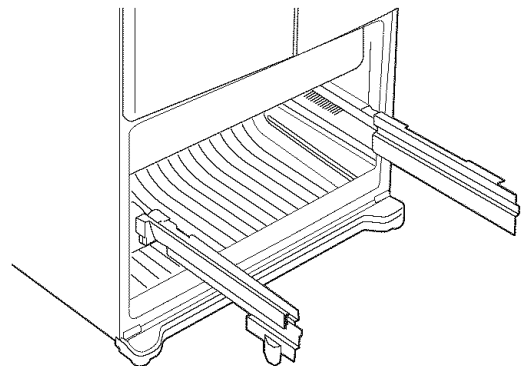
⚠ PRECAUCIÓN: Empuje ambos lados de los montajes de rieles al mismo tiempo.

8 CÓMO VOLVER A COLOCAR LA PUERTA DEL CONGELADOR

Se requieren dos personas para completar este procedimiento.

CONECTE Y SUJETE EL FRENTE DEL CAJÓN A LOS DESLIZADORES

- A** Estire los montajes de rieles al máximo sobre cada lado del gabinete.



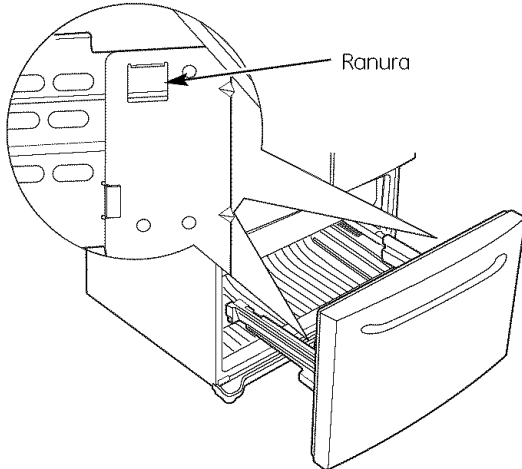
⚠ PRECAUCIÓN: Asegúrese de estirar los rieles laterales de manera uniforme.

Instrucciones para la instalación

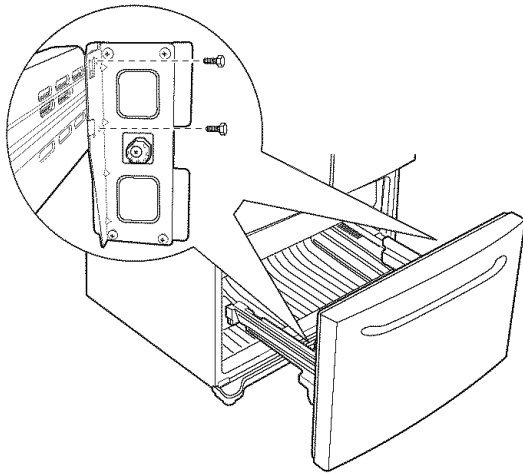
INSTALACIÓN DEL REFRIGERADOR (cont.)

8] CÓMO VOLVER A COLOCAR LA PUERTA DEL CONGELADOR (cont.)

- B]** Cuelgue el frente de la puerta del congelador sobre las ranuras abiertas de los lados.

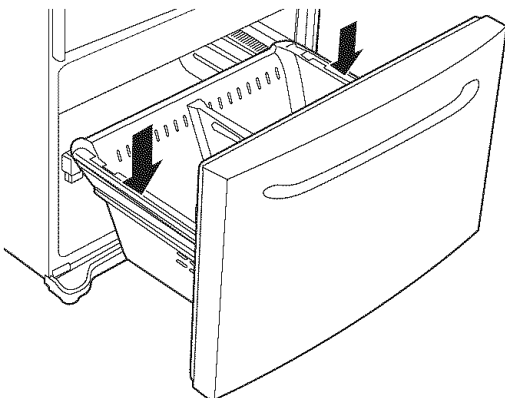


- C]** Ajuste los tornillos por completo. (Hay cuatro pernos hexagonales de 10 mm.)



CÓMO VOLVER A COLOCAR LA CANASTA DEL CONGELADOR

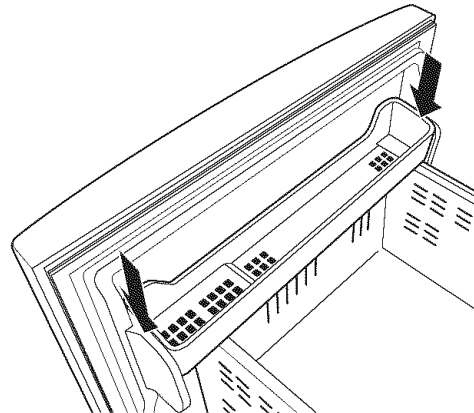
Vuelva a colocar la canasta del congelador bajándola sobre el marco.



8] CÓMO VOLVER A COLOCAR LA PUERTA DEL CONGELADOR (cont.)

CÓMO VOLVER A COLOCAR LA GAVETA DEL CONGELADOR

Enganche los extremos de la gaveta del congelador dentro de ambos soportes y presione hacia abajo hasta que se traben en su lugar. (Ver página 84.)



9] CÓMO CONECTAR EL REFRIGERADOR A LA LÍNEA DE AGUA DE LA CASA

Se requiere un suministro de agua fría para la operación de la máquina de hielos. Si no existe un suministro de agua fría, usted necesitará hacer uno. Ver la sección *Instalación de la tubería de agua*.

NOTAS: Antes de hacer la conexión, cerciórese de que el cable eléctrico del refrigerador no esté conectado al interruptor de la pared.

- A]** Si usted está usando tubería de cobre, coloque una tuerca de compresión y una férula (manga) en el extremo de la tubería que viene del suministro de agua fría de la casa. Si se encuentra usando tuberías de GE SmartConnect,[™] las tuercas están ya ensambladas a la tubería.

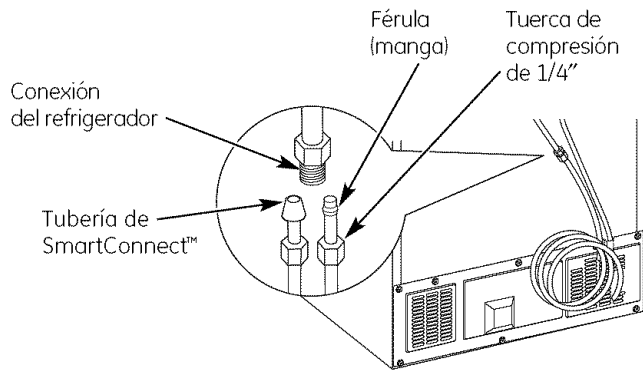
Instrucciones para la instalación

9 CÓMO CONECTAR EL REFRIGERADOR A LA LÍNEA DE AGUA DE LA CASA (cont.)

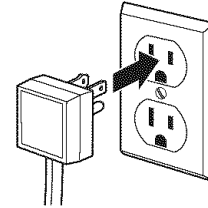
B Si usted está usando tubería de cobre, inserte el extremo de la tubería en la conexión del refrigerador, en la parte posterior del refrigerador, hasta donde sea posible. Mientras sostiene la tubería, apriete el accesorio.

Si se encuentra usando tuberías de GE SmartConnect™, inserte el extremo moldeado de la tubería en la conexión del refrigerador en la parte posterior del refrigerador, y apriete la tuerca de compresión hasta que esté apretada a mano. Entonces apriete una vuelta adicional con una llave. Si la aprieta demasiado causará fugas.

C Apriete la tubería en la abrazadera proporcionada para sostenerla en su posición. Es posible que usted necesite levantar la abrazadera haciendo palanca.

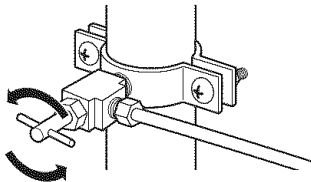


11 CONECTE EL REFRIGERADOR



Ver la información adjunta sobre la conexión a tierra del cable eléctrico.

10 ACTIVE LA CONEXIÓN DE AGUA



Haga pasar la corriente de agua en la válvula de cierre (el suministro de agua de la casa) e inspeccione en busca de fugas.

Instrucciones para la instalación

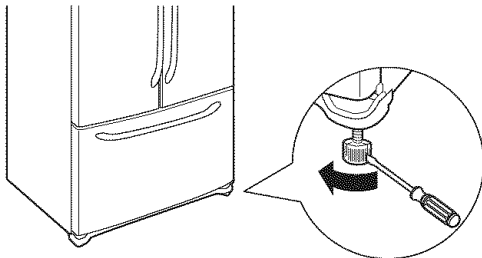
INSTALACIÓN DEL REFRIGERADOR (cont.)

12 CÓMO NIVELAR EL REFRIGERADOR

Las patas niveladoras tienen dos propósitos:

- 1) Las patas niveladoras se ajustan para que el refrigerador esté colocado firmemente en el piso y no tambalee.
- 2) Las patas niveladoras sirven como un freno estabilizador para sostener el refrigerador firmemente en posición durante la operación y limpieza. Las patas niveladoras también evitan que el refrigerador se incline.

- A** Gire las patas niveladoras **en sentido de las agujas del reloj para levantar** el refrigerador, y **en contra de las agujas del reloj para bajarlo**.

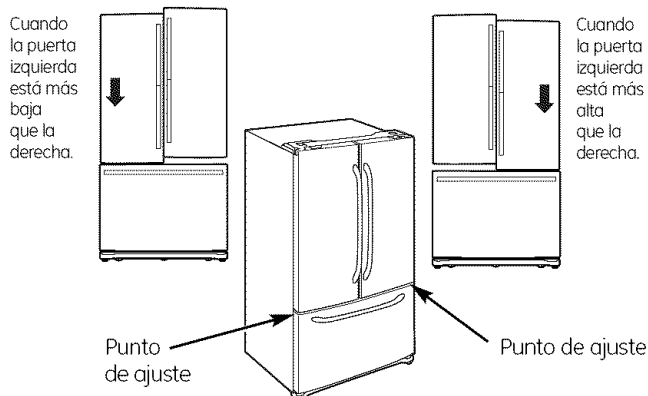


Destornillador plano

⚠ PRECAUCIÓN: Para evitar posibles lesiones personales o daños a la propiedad, las patas niveladoras deben tocar firmemente el piso.

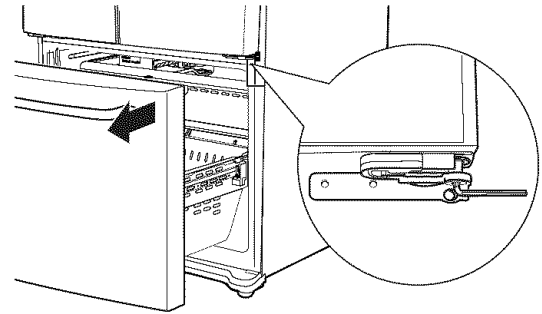
13 CÓMO NIVELAR LAS PUERTAS DEL REFRIGERADOR

Recuerde que hace falta un refrigerador nivelado para que las puertas estén bien equilibradas. Si necesita ayuda, vuelva a ver la sección anterior sobre la nivelación del refrigerador.

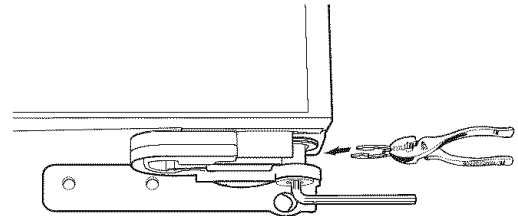


13 CÓMO NIVELAR LAS PUERTAS DEL REFRIGERADOR (cont.)

- A** Si abre la puerta del congelador, usted podrá ver la bisagra central.
- B** Introduzca la llave Allen de 4 mm dentro del eje de la bisagra central.
- C** Ajuste la altura girando en sentido de las agujas del reloj o en sentido contrario de las agujas del reloj. Cuando gire en sentido contrario de las agujas del reloj, la puerta se elevará.



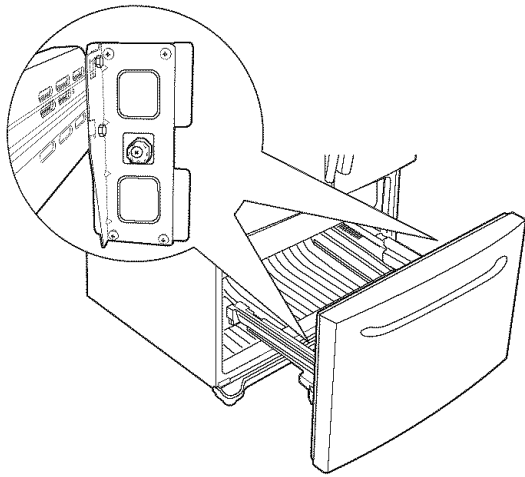
- D** Después de ajustar las puertas, introduzca el anillo sujetador suministrado utilizando un par de pinzas en el espacio entre el ojal de la bisagra y la bisagra central. La cantidad de anillos de sujeción que necesitará depende del espacio.



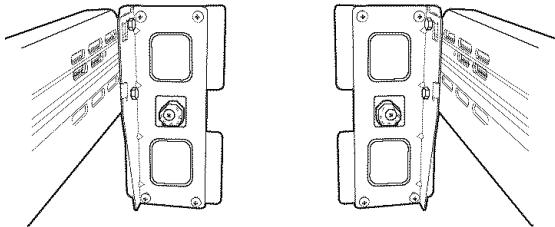
NOTA: Se incluyen cuatro anillos de sujeción con el refrigerador. El grosor de cada anillo de sujeción es 0.04”.

Instrucciones para la instalación

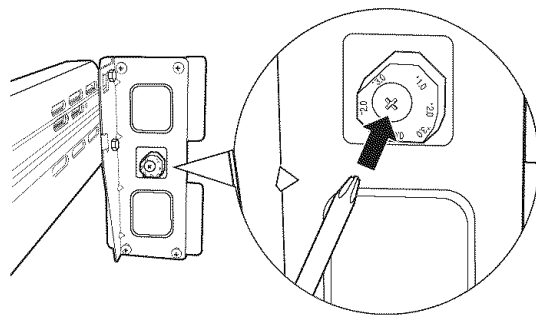
14 CÓMO NIVELAR LA PUERTA DEL CONGELADOR



- A** Ubique el ajuste de altura de la puerta del congelador. Afloje un poco los cuatro tornillos Phillips de la puerta sobre cada lado (derecho e izquierdo).

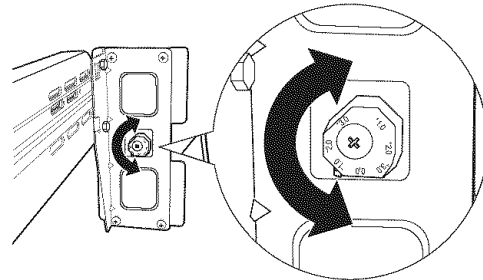


- B** Afloje el tornillo regulador con un destornillador Phillips para ajustar el nivel.

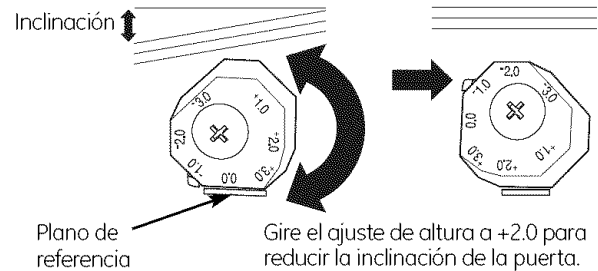


14 CÓMO NIVELAR LA PUERTA DEL CONGELADOR (cont.)

- C** Encuentre la mejor posición para alinear la inclinación de la puerta.



Ejemplo: La inclinación es de 2 mm, como puede verse abajo.



- D** Después del ajuste, apriete todos los tornillos.

15 AJUSTE LOS CONTROLES

Ajuste los controles donde se recomienda.

AJUSTES DE CONTROL RECOMENDOS



16 RETIRE EL EMBALAJE

- A** Retire toda la cinta y el embalaje protector y de espuma de las repisas y las gavetas.

Instrucciones para la instalación

INSTALACIÓN DE LA TUBERÍA DEL AGUA

ANTES DE INICIAR

Los kits de cobre recomendados para el suministro de agua son WX8X2, WX8X3 o WX8X4, dependiendo de la cantidad de tubería necesaria. Las tuberías plásticas aprobadas para el suministro de agua son las tuberías para el refrigerador SmartConnect™ de GE (WX08X10006, WX08X10015 y WX08X10025).

Al conectar su refrigerador a un Sistema de Agua de Ósmosis Inversa de GE, la única instalación aprobada es con un RVKIT de GE. Para otros sistemas de agua de ósmosis inversa, siga las instrucciones del fabricante.

Si el suministro de agua hacia el refrigerador es desde un Sistema de Filtro de Agua de Ósmosis Inversa Y el refrigerador también tiene un filtro de agua, use el tapón de derivación del filtro del refrigerador. Usar el cartucho de filtro del agua del refrigerador en conjunto con el filtro de MWF puede resultar en cubos de hielo huecos.

Esta instalación de la tubería del agua no está garantizada por el fabricante del refrigerador o de la máquina de helos. Siga estas instrucciones cuidadosamente para minimizar el riesgo de un daño costoso por el agua.

El martilleo del agua (agua golpeando contra la tubería) en la tubería de la casa puede causar daños a las partes del refrigerador y conducir a un goteo o inundación por agua. Llame a un plomero calificado para corregir el martilleo del agua antes de instalar la tubería del agua al refrigerador.

Para evitar quemaduras y daños con el producto, no conecte la tubería del agua a la tubería del agua caliente.

Si utiliza el refrigerador antes de conectar la línea de agua, desconecte la máquina de hielo girando la característica **Ice Off** (hielo apagado) a ON (encendido). Para más información ver *Sobre la máquina de hielo automática*.

No instale la tubería de la máquina de helos en lugares donde la temperatura caiga por debajo del nivel de congelamiento.

Al usar cualquier aparato eléctrico (como un taladro eléctrico) durante la instalación, asegúrese de que el aparato esté aislado o conectado de manera que evite el peligro de una descarga eléctrica, o se opere por baterías.

Todas las instalaciones se deben realizar según los requisitos del código local de plomería.

QUÉ NECESITA



- **Kit de tubería de cobre para el refrigerador o SmartConnect™ de GE**, 1/4" de diámetro externo para conectar el refrigerador al suministro de agua. Si usa cobre, asegúrese de que ambos extremos de la tubería se corten uniformemente.

Para determinar la cantidad de tubería que necesita: mida la distancia desde la válvula del agua en la parte posterior del refrigerador hasta el tubo de suministro de agua. Asegúrese de que haya suficiente tubería adicional para permitir que el refrigerador se pueda mover de la pared después de la instalación.

Los kits de tubería para el refrigerador SmartConnect™ de GE están disponibles en las siguientes longitudes:

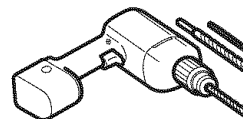
6' (1,8 m) – WX08X10006

15' (4,6 m) – WX08X10015

25' (7,6 m) – WX08X10025

NOTA: La única tubería de plástico aprobada de GE es la que viene provista con los kits de tubería para el refrigerador SmartConnect™ de GE. No use ninguna otra tubería plástica para el suministro del agua ya que la tubería está bajo presión todo el tiempo. Ciertos tipos de plástico se fracturarán o se romperán con el tiempo y causarán daños en su casa debido al agua.

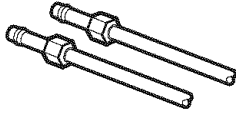
- **Un kit de suministro de agua de GE** (contiene tubería, válvula de apagado y accesorios enumerados abajo) está disponible a un costo adicional en su tienda o por medio de Partes y Accesorios, 800.626.2002.
- **Un suministro de agua fría.** La presión del agua debe estar entre 20 y 120 p.s.i. (1,4–8,1 bar).



- **Taladro eléctrico.**
- **Llave de 1/2" o ajustable.**
- **Destornillador plano y de estrella.**

Instrucciones para la instalación

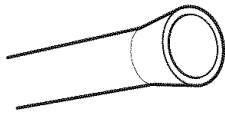
QUÉ NECESITA (CONT.)



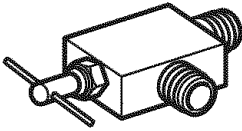
- **Dos tuercas de compresión de 1/4" de diámetro exterior y 2 férulas (mangas)**—para conectar la tubería de cobre a la válvula de apagado y la válvula del agua del refrigerador.

O bien

- Si está usando un kit de tubería para el refrigerador SmartConnect™ de GE, los accesorios necesarios ya vienen preinstalados en la tubería.



- Si su tubería existente de cobre para el agua tiene un accesorio con vuelo en el extremo, necesitará un **adaptador** (disponible en las tiendas de suministros de plomería) para conectar la línea del agua al refrigerador **O BIEN**, podrá cortar el accesorio con vuelo con un **cortador de tubos** y luego usar un accesorio de compresión. No corte el extremo formado de la tubería para el refrigerador SmartConnect™ de GE.



- **Válvula de cierre** para conectar a la línea del agua fría. La válvula de apagado deberá tener una entrada de agua con un diámetro interno mínimo de 5/32" en el punto de conexión a la **TUBERÍA DEL AGUA FRÍA**. Las válvulas de apagado tipo silla vienen incluidas en muchos kits de suministro de agua. Antes de comprar, asegúrese de que una válvula tipo silla cumple con los códigos de plomería en su localidad.

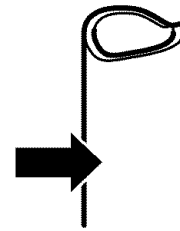
Instale la válvula de apagado en la tubería del agua de consumo más frecuentemente utilizada.

1 CIERRE EL SUMINISTRO PRINCIPAL DE AGUA

Abra el grifo más cercano por suficiente tiempo para limpiar la tubería del agua.

2 SELECCIONE LA UBICACIÓN DE LA VÁLVULA

Seleccione una ubicación para la válvula que sea fácilmente accesible. Es mejor conectarla en el costado de una tubería vertical de agua. Cuando sea necesario conectarla en una tubería horizontal de agua, haga la conexión en la parte superior o al lado, en vez de hacerlo en la parte de abajo, para evitar retirar cualquier sedimento de la tubería del agua.

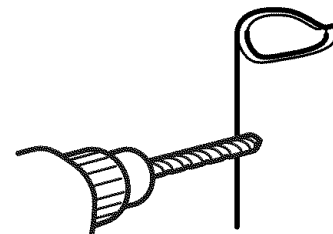


3 PERFORE EL ORIFICIO PARA LA VÁLVULA

Perfore un orificio de 1/4" en la tubería del agua (incluso si está usando una válvula auto perforadora), usando una broca afilada. Retire cualquier sobrante que resulte de perforar el orificio en la tubería.

Tenga cuidado de no permitir que se filtre agua hacia el taladro.

No perforar un orificio de 1/4" puede resultar en menor producción de hielo o cubos más pequeños.

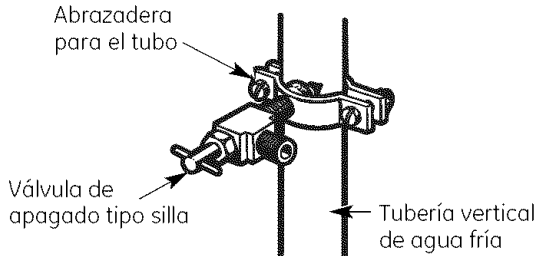


Instrucciones para la instalación

INSTALACIÓN DE LA TUBERÍA DEL AGUA (cont.)

4 INSTALE LA VÁLVULA DE APAGADO

Una la válvula de apagado a la tubería de agua fría con la abrazadera para el tubo.

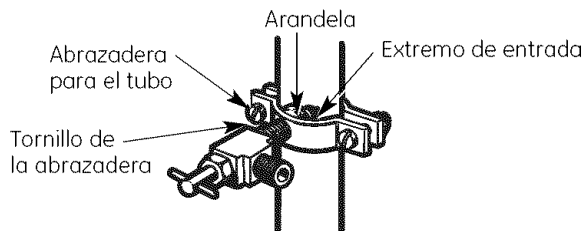


NOTA: Se deberán seguir los Códigos 248CMR de Plomería para el Estado de Massachusetts. Las válvulas tipo silla son ilegales y su uso no está permitido en Massachusetts. Consulte con un plomero licenciado.

5 APRIETE LA ABRAZADERA DEL TUBO

Apriete los tornillos de la abrazadera hasta que la arandela sellante empiece a hincharse.

NOTA: No apriete demasiado la tubería ya que podría romperse.



6 DIRIJA LA TUBERÍA

Rote la tubería entre la línea del agua fría y el refrigerador.

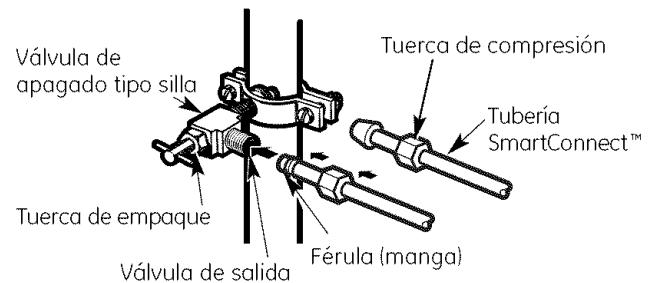
Rote la tubería a través de un orificio perforado en la pared o en el piso (detrás del refrigerador o del gabinete de la base adyacente) lo más cerca posible a la pared.

7 CONECTE LA TUBERÍA A LA VÁLVULA

Coloque la tuerca de compresión y férula para la tubería de cobre (manga) en el extremo de la tubería y conéctela a la válvula de apagado.

Asegúrese de que la tubería esté completamente insertada en la válvula. Apriete la tuerca de compresión firmemente.

Para tubería de plástico de un kit de tubería para el refrigerador SmartConnect™ de GE, inserte el extremo moldeado de la tubería en la válvula de apagado y apriete la tuerca de compresión hasta que esté firmemente apretada a mano, luego apriete un giro adicional con una llave. Apretar demasiado puede causar fugas.

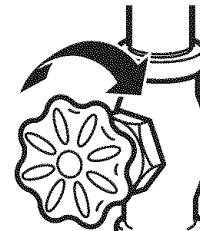


NOTA: Se deberán seguir los Códigos 248CMR de Plomería para el Estado de Massachusetts. Las válvulas tipo silla son ilegales y su uso no está permitido en Massachusetts. Consulte con un plomero licenciado.

8 LAVE LA TUBERÍA

Abra el suministro principal de agua y lave la tubería hasta que el agua esté limpia.

Cierre el agua en la válvula después de que un cuarto (1 litro) se haya eliminado por la tubería.



Para completar la instalación del refrigerador, regrese al Paso 1 en *Instalación del refrigerador*.



Los refrigeradores más nuevos producen sonidos diferentes a los modelos más antiguos. Los refrigeradores modernos tienen más funciones y usan tecnología más reciente.

¿Usted escucha lo que yo escucho? Estos sonidos son normales.

**HMMMM...
WHOOSH....**

- El nuevo compresor de alta eficiencia puede funcionar más rápido y durar más que el de su refrigerador anterior y puede escuchar un zumbido de tono alto o un sonido pulsante mientras opera.
- Puede escuchar un sonido de soplido cuando las puertas se cierran. Esto se debe a que la presión se está estabilizando dentro del refrigerador.

¡WHIR!



- Puede escuchar los ventiladores moviéndose a gran velocidad. Esto pasa cuando el refrigerador se conecta por primera vez, cuando las puertas se abren frecuentemente o cuando se guarda gran cantidad de alimentos en el refrigerador o en los compartimientos del congelador. Los ventiladores están ayudando a mantener las temperaturas correctas.
- Los ventiladores cambian la velocidad para suministrar enfriamiento óptimo y ahorrar energía.

**CHASQUIDOS, ESTALLIDOS,
CRUJIDO**

- Puede escuchar sonidos como de crujido o estallidos cuando el refrigerador se conecta por primera vez. Esto pasa a medida que el refrigerador se enfría hasta la temperatura correcta.
- El control del congelador produce un chasquido cuando el compresor inicia o para.
- Expansión y contracción de las bobinas durante o después del ciclo de descongelación puede causar sonidos como de crujido o estallidos.
- En modelos con máquina de helos, después de completar un ciclo de hacer hielo, se pueden escuchar los cubos de hielo cuando caen a la bandeja de helos.
- En modelos con un dispensador, durante la distribución de agua, puede escuchar el movimiento de las líneas de agua a la distribución inicial y después la liberación del botón del dispensador.

SONIDOS DE AGUA



- El fluido del refrigerante a través de las bobinas puede producir un sonido de borboteo como de agua hirviendo.
- El agua que cae en el calentador de descongelación puede causar un chisporroteo, estallido o zumbido durante el ciclo de descongelación.
- Un ruido de agua cayendo se puede escuchar durante el ciclo de descongelación a medida que el hielo se derrite del evaporador y fluye hacia la bandeja de drenaje.
- El cierre de las puertas puede producir un sonido de gorgoteo debido a la estabilización de la presión.



Para información adicional sobre los ruidos normales de la máquina de helos, consulte la sección **Sobre la máquina de helos automática.**

Antes de solicitar un servicio...



Solucionar problemas
¡Ahorre tiempo y dinero! Revise las tablas en las siguientes páginas y tal vez no necesitará de solicitar un servicio.

Problema	Causas Posibles	Qué hacer
 El refrigerador no funciona	Refrigerador en ciclo de descongelar.	<ul style="list-style-type: none"> • Espere 30 minutos para que la descongelación se termine.
	El refrigerador esté desconectado.	<ul style="list-style-type: none"> • Empuje la clavija completamente en el enchufe.
	Fusible fundido/interruptor de circuito roto.	<ul style="list-style-type: none"> • Reemplace el fusible o reajuste el interruptor.

Antes de solicitar un servicio...

Seguridad

Problema	Causas Posibles	Qué hacer
Vibraciones o sacudidas (una vibración ligera es normal)	Las patas niveladoras requieren un ajuste.	<ul style="list-style-type: none"> • Vea <i>Cómo nivelar el refrigerador</i>.


Operación

El motor opera durante periodos prolongados o se arranca y se para con frecuencia. (Refrigeradores modernos con más espacio de almacenamiento y un congelador más grande requieren más tiempo de operación. Se arrancan y se paran a menudo para mantener temperaturas	Es normal cuando el refrigerador es recién instalado en su casa.	<ul style="list-style-type: none"> • Espere 24 horas para que el refrigerador se enfríe completamente.
	Ocurre cuando hay largas cantidades de alimentos en el refrigerador.	<ul style="list-style-type: none"> • Eso es normal.
	Se dejó abierta la puerta.	<ul style="list-style-type: none"> • Revise si un paquete mantiene la puerta abierta.
	Clima caluroso o aperturas frecuentes de la puerta.	<ul style="list-style-type: none"> • Eso es normal.
	Controles de temperatura ajustados al punto más frío.	<ul style="list-style-type: none"> • Vea <i>Los controles</i>.


Instalación

Compartimiento del refrigerador o congelador demasiado cálido	El control de temperatura no se fijó bastante frío.	<ul style="list-style-type: none"> • Vea <i>Los controles</i>.
	Clima caluroso o aperturas frecuentes de la puerta.	<ul style="list-style-type: none"> • Fije el control de temperatura un paso más frío. Vea <i>Los controles</i>.
	Se dejó abierta la puerta.	<ul style="list-style-type: none"> • Revise si hay un paquete que mantiene la puerta abierta.
Escarcha o cristales de hielo en alimentos congelados (escarcha en paquete es normal)	Se dejó abierta la puerta.	<ul style="list-style-type: none"> • Revise si hay un paquete que mantiene la puerta abierta.
	Apertura de puertas muy frecuente o muy prolongada.	
Formación lenta del hielo	Se dejó abierta la puerta.	<ul style="list-style-type: none"> • Revise si hay un paquete que mantiene la puerta abierta.
	El control de temperatura no es bastante frío.	<ul style="list-style-type: none"> • Vea <i>Los controles</i>.

Solucionar problemas

La máquina de hielos automática no funciona	La característica <i>Ice Off</i> (apagado hielo) está encendida.	<ul style="list-style-type: none"> • Presione y libere el botón <i>Ice Off/Lock</i> (apagado hielo/bloqueado) en el panel de control para apagar la característica <i>Ice Off</i> (apagado hielo), y luego el ícono  desaparecerá.
	El suministro del agua está apagado o no está conectado.	<ul style="list-style-type: none"> • Consulte la sección <i>Cómo instalar la tubería del agua</i>.
	El compartimiento del congelador no es muy frío.	<ul style="list-style-type: none"> • Espere 24 horas para que el refrigerador se enfríe completamente.
	Hay cubos amontonados en el recipiente de almacenamiento que causan que la máquina de hielos se apague.	<ul style="list-style-type: none"> • Nivele los cubos con la mano.
	Los cubos de hielo están obstruidos en la máquina de hielos.	<ul style="list-style-type: none"> • Apague la máquina de hielos, retire los cubos y vuelva a encender la máquina de hielos.

Servicio al consumidor

Problema	Causas Posibles	Qué hacer
Sonido de zumbido frecuente	La característica <i>Ice Off</i> (apagado hielo) está apagada, pero el suministro de agua hacia el refrigerador no ha sido conectado.	<ul style="list-style-type: none"> Presione y libere el botón <i>Ice Off/Lock</i> (apagado hielo/bloqueado) en el panel de control para encender la característica <i>Ice Off</i> (apagado hielo), y luego podrá verse el ícono . Mantener la característica <i>Ice Off</i> dañará la válvula de agua.
Cubos pequeños o huecos	Filtro de agua tapado.	<ul style="list-style-type: none"> Reemplace el cartucho del filtro con uno nuevo o con el tapón.
Los cubos tienen mal olor/sabor	Alimentos transmitiendo olor/sabor a los cubos. El interior del refrigerador requiere limpieza.	<ul style="list-style-type: none"> Envuelva bien los alimentos. Vea <i>Cuidado y limpieza</i>. Mantenga una caja abierta de bicarbonato de sodio en el refrigerador; cámbiela cada tres meses.
El refrigerador huele	Alimentos transmitiendo olores al refrigerador. El interior requiere limpieza.	<ul style="list-style-type: none"> Alimentos con olores fuertes deben estar tapados. Guarde una caja de bicarbonato de sodio en el refrigerador; cámbiela cada tres meses. Vea <i>Cuidado y limpieza</i>.
Se forma humedad en la superficie del refrigerador	No es extraño durante periodos de alta humedad.	<ul style="list-style-type: none"> Seque la superficie con un paño suave y ajuste el control del refrigerador una marca más hacia lo frío. Apague el modo Energy Saver (ahorro de energía).
Humedad se forma al interior (en clima húmedo, el aire lleva la humedad al refrigerador cuando las puertas se abren)	Abrir la puerta con mucha frecuencia o por mucho tiempo.	
La luz del compartimiento del refrigerador o del congelador no funciona	No hay corriente en el toma corriente. Bombilla quemada o suelta.	<ul style="list-style-type: none"> Reemplace el fusible o vuelva a iniciar el interruptor. Consulte la sección <i>Cómo reemplazar la bombilla</i>.
Aire caliente de la parte de abajo del refrigerador	Motor de enfriamiento normal del flujo del aire. En el proceso de refrigeración, es normal que salga calor de la parte inferior del refrigerador. Algunas cubiertas de piso son sensibles y se decolorarán ante estas temperaturas normales y seguras.	
Congelamiento de alimentos en el refrigerador	Los alimentos están muy cercanos al ventilador en la parte posterior del refrigerador. El control del refrigerador está en un nivel demasiado frío.	<ul style="list-style-type: none"> Mueva los alimentos lejos del ventilador. Mueva el control del refrigerador a una temperatura menos fría un incremento a la vez.

Seguridad

Operación

Instalación

Solucionar problemas

Servicio al consumidor

Antes de solicitar un servicio...

Problema	Causas Posibles	Qué hacer
Seguridad La puerta/gaveta no se cierra sola	Las patas niveladoras necesitan ajuste.	<ul style="list-style-type: none"> • Consulte la sección <i>Instalación del refrigerador</i>.
Operación El agua tiene un sabor/olor malo	El dispensador de agua no se uso por mucho tiempo.	<ul style="list-style-type: none"> • Dispense el agua hasta que todo el sistema del agua se llene de nuevo.
	El agua en el primer vaso está tibia	<ul style="list-style-type: none"> • Espere 24 horas para que se enfríe el refrigerador.
	El dispensador de agua no se uso por mucho tiempo.	<ul style="list-style-type: none"> • Dispense el agua hasta que todo el sistema del agua se llene de nuevo.
Operación El sistema de agua se ha desaguado.	El sistema de agua se ha desaguado.	<ul style="list-style-type: none"> • Espere algunas horas para que se enfríe el agua.
	El dispensador de agua no funciona	<ul style="list-style-type: none"> • <i>Vea Instalar la línea de agua.</i>
	Filtro de agua tapado.	<ul style="list-style-type: none"> • Reemplace el cartucho del filtro o remueve el filtro y instale el tapón.
	Aire atrapado en el sistema del agua.	<ul style="list-style-type: none"> • Presione el brazo del dispensador por un par de minutos.
Operación El agua del depósito está congelada porque los controles están configurados a una temperatura muy baja.	El agua del depósito está congelada porque los controles están configurados a una temperatura muy baja.	<ul style="list-style-type: none"> • Configure el control del refrigerador a una temperatura más elevada y espere 24 horas. Si no sale agua después de 24 horas, llame al servicio técnico.
	El flujo de agua hacia el dispensador o máquina de hielo es lento	<ul style="list-style-type: none"> • Reemplace el cartucho del filtro o remueve el filtro y instale el tapón.
	El agua chorrea del dispensador	<ul style="list-style-type: none"> • Deje correr el agua desde el dispensador por 3 minutos (aprox. 1½ galóns).
Operación No sale agua y el dispositivo para hacer hielo no funciona	Está tapada la línea de agua o la llave de paso.	<ul style="list-style-type: none"> • Llame a un plomero.
	Filtro de agua tapado.	<ul style="list-style-type: none"> • Reemplace el cartucho del filtro o remueve el filtro y instale el tapón.
	El cartucho del filtro no está instalado apropiadamente.	<ul style="list-style-type: none"> • Remueva y reinstale el cartucho del filtro, cerciorándose de que encaja en su lugar. La cuchilla en el extremo del cartucho deberá colocarse verticalmente.
Operación El agua se está fugando del dispensador	El vaso no está siendo sostenido debajo del dispensador por suficiente tiempo después de que el botón es liberado.	<ul style="list-style-type: none"> • Sostenga el vaso debajo del dispensador por 2 ó 3 segundos después de liberar el botón del dispensador. El agua podría continuar dispensándose después de que el botón sea liberado.
	Puede haber aire presente en el sistema de la tubería del agua que causa que el agua gotee después de que el agua se haya dispensado.	<ul style="list-style-type: none"> • Dispense agua por al menos 2 minutos para retirar el aire del sistema.
Operación La manija está floja / la manija tiene una brecha	La manija debe ajustarse.	<ul style="list-style-type: none"> • Ver las secciones <i>Cómo sujetar la manija de la puerta de alimentos frescos</i> y <i>Cómo sujetar la manija del congelador</i> para información más detallada.
Servicio al consumidor El refrigerador emite un sonido	Esto es la alarma de la puerta.	<ul style="list-style-type: none"> • Cierre la puerta.

Seguridad

Operación

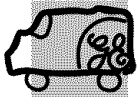
Instalación

Solucionar problemas

Servicio al consumidor

Garantía del Refrigerador. (Para consumidores en los EE.UU.)

Seguridad



Todos los servicios de garantía los proporcionan nuestros Centros de Reparación de Fábrica o nuestros técnicos Customer Care® autorizados. Para concertar una cita de reparación, en línea, visítenos al ge.com, o llame al 800.GE.CARES (800.432.2737). Cuando llame para solicitar servicio, por favor tenga a mano el número de serie y el número de modelo.

Grape aquí su recibo. Se requiere facilitar prueba de la fecha de compra original para obtener un servicio bajo la garantía.

Por el período de: GE reemplazará:

Operación

MODELOS GE y GE PROFILE:

Un año

A partir de la fecha de la compra original

Cualquier parte del refrigerador que falle debido a defectos en los materiales o en la fabricación. Durante esta **garantía limitada de un año**, GE también proporcionará, **sin costo alguno**, toda la mano de obra y el servicio relacionado—para reemplazar partes defectuosas.

Treinta días

A partir de la fecha de compra original del refrigerador

Cualquier parte del cartucho de filtro de agua que falle debido a defectos en los materiales o manufactura. Durante esta **garantía limitada de treinta días**, GE también proporcionará **sin costo**, un cartucho de filtro de agua de repuesto.

MODELOS DE GE PROFILE SOLAMENTE:

Cinco años

A partir de la fecha de la compra original

Cualquier parte del sistema sellado de refrigeración (compresor, condensador, evaporador y tuberías de conexión) que fallen debido a defectos en los materiales o fabricación. Durante esta **garantía limitada de cinco años del sistema sellado de refrigeración**, GE también proporcionará, **sin costo alguno**, toda la mano de obra y el servicio relacionado para reemplazar partes defectuosas del sistema sellado de refrigeración.

Instalación

Lo que GE no cubrirá:

- Viajes de servicio a su hogar para enseñarle cómo usar el producto.
- Instalación o entrega inapropiada, o mantenimiento impropio.
- Fallas del producto si hay abuso, mal uso, o uso para otros propósitos que los propuestos, o uso para fines comerciales.
- Pérdida de alimentos por averías.
- Causar daños después de la entrega.
- Reemplazo de fusibles de su hogar o reajuste de interruptores de circuito.
- Reemplazo del cartucho del filtro para agua, si incluidos, debido a presión de agua afuera de los límites de operación especificados o sedimento excesivo en el suministro de agua.
- Reemplazo de las bombillas, si incluidos, o los filtros de agua, si incluidos.
- Daño al producto causado por accidente, fuego, inundaciones, o actos de Dios.
- Daño incidental o consecuencial causado por posibles defectos con el aparato.
- Producto no accesible para facilitar el servicio requerido.

Solucionar problemas

EXCLUSIÓN DE GARANTÍAS IMPLÍCITAS—Su único y exclusivo derecho es la reparación del producto, tal y como se indica en esta Garantía limitada. Cualquier garantía implícita, incluyendo las garantías implícitas de comerciabilidad o adecuación para un fin determinado, están limitadas a un año o el período de tiempo más breve permitido por la ley.

Servicio al consumidor

Esta garantía se extiende al comprador original y cualquier comprador posterior de productos comprados para uso residencial dentro de Estados Unidos. Si el producto está situado en un área que no dispone de servicio por parte de un proveedor de servicio autorizado de GE, podría tener que hacerse cargo de los costes de envío o bien podría solicitársele que lleve el producto a una centro de servicio de GE autorizado para realizar la reparación. En Alaska, la garantía excluye el costo de envío o las visitas de servicio a su casa.

Algunos estados no permiten la exclusión o las limitaciones de daños incidentales o consecuenciales. Esta garantía da derechos legales específicos, y usted podría tener otros derechos que variarán de estado a estado. Para saber cuáles son sus derechos legales, consulte a la oficina de asuntos del consumidor local o la oficina del Attorney General en su localidad.

Hoja de Datos de Funcionamiento
Sistema de Filtración GE SmartWater
Cartucho MWF

Este sistema se ha sometido a las pruebas NSF/ANSI 42/53 a fin de reducir las sustancias presentadas a continuación. Se redujo la concentración de las sustancias indicadas en el agua que ingresan en el sistema a una concentración menor o igual al límite permitido para el agua que sale del sistema, como se especifica en NSF/ANSI 42/53.*

(Factores de 100% incorporados para la utilización no medida)

Estándar No. 42: Efectos estéticos								
Parámetros	USEPA MCL	Calidad del influente concentración	Promedio de influente	Effluent		% de reducción		Reducción mínima necesaria
				Promedio	Máximo	Promedio	Máximo	
Cloro	—	2,0 mg/L ± 10%	1,96 mg/L	0,06 mg/L	0,11 mg/L	96,77%	94,74%	> 50%
Sabor y olor	—	—	—	—	—	—	—	—
Partículas**	—	at least 10.000 particles/mL	6.400.000 #/mL	58.833 #/mL	150.000 #/mL	99,14%	97,97%	≥ 85%

Estándar No. 53: Efectos Relativos a la Salud								
Parámetros	USEPA MCL	Calidad del influente concentración	Promedio de influente	Effluent		% de reducción		Reducción mínima necesaria
				Promedio	Máximo	Promedio	Máximo	
Turbidez	0,5 NTU	11 ± 1 NTU***	10,5 NTU	0,14 NTU	0,28 NTU	98,54%	97,20%	0,5 NTU
Quistes	≥ 99,95% Reduction	Minimum 50.000 L	118.750 #/L	< 1 #/L	4 #/L	> 99,99%	> 99,99%	≥ 99,95%
Amianto	≥ 99% Reduction	10 ⁷ -10 ⁸ fibras/L; > 10µm	57 MF/L	0,996 MF/L	< 1 MF/L	99,60%	99,39%	≥ 99%
Plomo a pH 6,5	0,015 mg/L	0,15 mg/L ± 10%	0,1567 mg/L	< 0,001 mg/L	< 0,001 mg/L	99,36%	99,29%	0,010 mg/L
Plomo a pH 8,5	0,015 mg/L	0,15 mg/L ± 10%	0,1433 mg/L	< 0,001 mg/L	< 0,001 mg/L	99,30%	99,29%	0,010 mg/L
Mercurio a pH 6,5	0,002 mg/L	0,006 mg/L ± 10%	0,0059 mg/L	0,000350 mg/L	0,0007 mg/L	94,70%	87,50%	0,002 mg/L
Mercurio a pH 8,5	0,002 mg/L	0,006 mg/L ± 10%	0,0057 mg/L	0,000325 mg/L	0,0006 mg/L	93,20%	89,29%	0,002 mg/L
Ala cloro	0,002 mg/L	0,04 mg/L ± 10%	0,0367 mg/L	0,00023 mg/L	0,0004 mg/L	99,34%	98,67%	0,002 mg/L
Lindano	0,0002 mg/L	0,002 mg/L ± 10%	0,0020 mg/L	< 0,00002 mg/L	< 0,00002 mg/L	99,00%	98,95%	0,0002 mg/L
2,4-D	0,070 mg/L	0,210 mg/L ± 10%	0,2033 mg/L	0,00337 mg/L	0,011000 mg/L	98,32%	94,50%	0,070 mg/L
Toxafeno	0,003 mg/L	0,015 mg/L ± 10%	0,0160 mg/L	0,00100 mg/L	0,001000 mg/L	93,44%	91,67%	0,003 mg/L
Benceno	0,005 mg/L	0,015 mg/L ± 10%	0,0145 mg/L	0,000500 mg/L	0,000500 mg/L	96,51%	95,83%	0,005 mg/L
Carbofurano	0,040 mg/L	0,080 mg/L ± 10%	0,0830 mg/L	0,001000 mg/L	0,001000 mg/L	98,78%	98,65%	0,04 mg/L
1,4 diclorobenceno	0,075 mg/L	0,225 mg/L ± 10%	0,2283 mg/L	0,000500 mg/L	0,000500 mg/L	99,78%	99,77%	0,075 mg/L
Atrazina	0,003 mg/L	0,009 mg/L ± 10%	0,0087 mg/L	< 0,0005 mg/L	< 0,0005 mg/L	94,22%	93,33%	0,003 mg/L

* Probado utilizando una tasa de flujo de 0,5 gpm (1,8927 l/min.); presión de 60 psig (4,218 Kg/cm²); pH de 7,5 ± 0,5; temp. de 20° ± 3° C

** Medición en partículas/ml. Las partículas usadas eran de 0,5-1 micrón.

*** Unidades de turbidez Nefelométrica—NTU

Especificaciones de Operación

- Capacidad: certificado para hasta 300 galones (1135 litros); hasta seis meses para los modelos sin luz indicadora de reemplazo de filtro; hasta un año para los modelos con luz indicadora de reemplazo de filtro
- Requerimientos de presión: 40-120 psi (2,8-8,2 bar), sin choque
- Temperatura: 33°-100° F (0,6°-38° C)
- Tasa de flujo: 0,5 gpm (1,9 lpm)

Requerimientos Generales de Instalación/Operación/Mantenimiento

- Lave el nuevo cartucho a la tasa máxima por 3 minutos para sacar el aire atrapado.
- Reemplace el cartucho cuando la luz indicadora parpadee o cuando se reduzca la tasa de flujo de agua en unidades que no incluyen indicador.

Avisos Especiales

- Las instrucciones de instalación, las piezas, la información sobre la disponibilidad de servicio y la garantía estándar se incluyen con el producto al enviarlo.
- Este sistema de agua potable debe mantenerse conforme a las instrucciones del fabricante, incluyendo el reemplazo de los cartuchos.
- No se utiliza en los sitios donde el agua es de calidad microbiológicamente dudosa, ni con aguas de calidad desconocida, sin una desinfección adecuada antes o después del sistema; el sistema puede utilizarse con aguas desinfectadas que puedan contener quistes filtrables.
- Los contaminantes u otras sustancias que este sistema de tratamiento de agua puede remover o reducir, no están presentes, necesariamente, en su agua.
- Verifique el acatamiento de las leyes y reglamentos estatales y locales.
- Tome en cuenta que aunque las pruebas se realizaron bajo condiciones estándar de laboratorio, el resultado real puede variar. Los sistemas se deben instalar y operar de acuerdo con los procedimientos y las pautas que recomienda el fabricante.

Probado y Certificado según las normas ANSI/NSF 42 y 53 para la reducción de:	
Estándar No. 42: Efectos Estéticos	Estándar No. 53: Efectos sobre la salud
Unidad química	Unidad de reducción química
El sabor y olor de cloro	Reducción de alacloro y atrazina
Unidad de filtrado mecánico	Reducción del benceno y carbofurano
Reducción de partículas, Clase I	Reducción de 1,4 diclorobenceno y 2,4-D
	Reducción de plomo y lindano
	Reducción de mercurio y toxafeno
	Unidad de filtrado mecánico
	Reducción de turbidez
	Reducción de quistes y asbestos



<i>Servicio al consumidor</i>	<i>Solucionar problemas</i>	<i>Instalación</i>	<i>Operación</i>	<i>Seguridad</i>
-------------------------------	-----------------------------	--------------------	------------------	------------------

Notas.

Seguridad

Operación

Instalación

Solucionar problemas

Servicio al consumidor

<i>Servicio al consumidor</i>	<i>Solucionar problemas</i>	<i>Instalación</i>	<i>Operación</i>	<i>Seguridad</i>
-------------------------------	-----------------------------	--------------------	------------------	------------------

Notas.

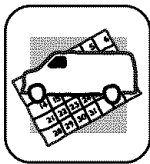
Servicio al consumidor.



Página Web de GE Appliances

ge.com

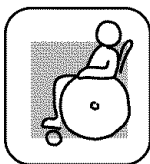
¿Tiene alguna pregunta sobre su electrodoméstico? ¡Pruebe la página Web de GE Appliances, cualquier día del año! Para mayor conveniencia y servicio más rápido, ya puede descargar los Manuales de los Propietarios, pedir piezas o incluso hacer una cita en línea para que vengan a realizar una reparación.



Solicite una reparación

ge.com

El servicio de expertos GE está a tan sólo un paso de su puerta. ¡Entre en línea y solicite su reparación cuando le venga cualquier día del año! O llame al 800.GE.CARES (800.432.2737) durante horas normales de oficina.



Real Life Design Studio (Estudio de diseño para la vida real)

ge.com

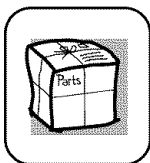
GE apoya el concepto de Diseño Universal—productos, servicios y ambientes que pueden usar gente de todas las edades, tamaños y capacidades. Reconocemos la necesidad de diseñar para una gran gama de habilidades y dificultades físicas y mentales. Para más detalles sobre las aplicaciones de GE Diseño Universal, incluyendo ideas de diseño para la cocina para personas con discapacidades, mire nuestra página Web hoy mismo. Para personas con dificultades auditivas, favor de llamar al 800.TDD.GEAC (800.833.4322).



Garantías ampliadas

ge.com

Compre una garantía ampliada y obtenga detalles sobre descuentos especiales disponibles mientras su garantía está aún activa. Puede comprarla en línea en cualquier momento, o llamar al (800.626.2224) durante horas normales de oficina. GE Consumer Home Services estará aún ahí cuando su garantía termine.



Piezas y accesorios

ge.com

Aquellos individuos con la calificación necesaria para reparar sus propios electrodomésticos pueden pedir que se les manden las piezas o accesorios directamente a sus hogares (aceptamos las tarjetas VISA, MasterCard y Discover). Haga su pedido en línea hoy, 24 horas cada día o llamar por teléfono al 800.626.2002 durante horas normales de oficina.

Las instrucciones descritas en este manual cubren los procedimientos a seguir por cualquier usuario. Cualquier otra reparación debería, por regla general, referirse a personal calificado autorizado. Debe ejercerse precaución ya que las reparaciones incorrectas pueden causar condiciones de funcionamiento inseguras.



Póngase en contacto con nosotros

ge.com

Si no está satisfecho con el servicio que recibe de GE, póngase en contacto con nosotros en nuestra página Web indicando todos los detalles así como su número de teléfono o escribanos a:

General Manager, Customer Relations
GE Appliances, Appliance Park
Louisville, KY 40225



Registre su electrodoméstico

ge.com

¡Registre su nuevo electrodoméstico en línea—cuando usted prefiera! El registrar su producto a tiempo le proporcionará, si surgiera la necesidad, una mejor comunicación y un servicio más rápido bajo los términos de su garantía. También puede enviar su tarjeta de registro pre-impresa que se incluye en el material de embalaje o recorte y use el formulario de este Manual del Propietario.

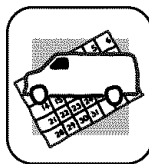
Consumer Support.



GE Appliances Website

In the U.S.: ge.com

Have a question or need assistance with your appliance? Try the GE Appliances Website, 24 hours, any day of the year! For greater convenience and faster service, you can now download Owner's Manuals, order parts or even schedule service on-line. **In Canada: www.geappliances.ca**

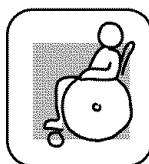


Schedule Service

In the U.S.: ge.com

Expert GE repair service is only one step away from your door. Get on-line and schedule your service at your convenience any day of the year! Or call 800.GE.CARES (800.432.2737) during normal business hours.

In Canada, call 1.800.561.3344



Real Life Design Studio

In the U.S.: ge.com

GE supports the Universal Design concept—products, services and environments that can be used by people of all ages, sizes and capabilities. We recognize the need to design for a wide range of physical and mental abilities and impairments. For details of GE's Universal Design applications, including kitchen design ideas for people with disabilities, check out our Website today. For the hearing impaired, please call 800.TDD.GEAC (800.833.4322).

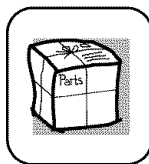
In Canada, contact: Manager, Consumer Relations, Mabe Canada Inc.
Suite 310, 1 Factory Lane
Moncton, N.B. E1C 9M3



Extended Warranties

In the U.S.: ge.com

Purchase a GE extended warranty and learn about special discounts that are available while your warranty is still in effect. You can purchase it on-line anytime, or call 800.626.2224 during normal business hours. GE Consumer Home Services will still be there after your warranty expires. **In Canada, call 1.888.261.2133**



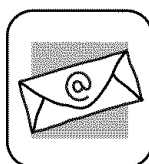
Parts and Accessories

In the U.S.: ge.com

Individuals qualified to service their own appliances can have parts or accessories sent directly to their homes (VISA, MasterCard and Discover cards are accepted). Order on-line today, 24 hours every day or by phone at 800.626.2002 during normal business hours.

Instructions contained in this manual cover procedures to be performed by any user. Other servicing generally should be referred to qualified service personnel. Caution must be exercised, since improper servicing may cause unsafe operation.

Customers **in Canada** should consult the yellow pages for the nearest Mabe service center, or call 1.888.261.3055.



Contact Us

In the U.S.: ge.com

If you are not satisfied with the service you receive from GE, contact us on our Website with all the details including your phone number, or write to:

General Manager, Customer Relations
GE Appliances, Appliance Park
Louisville, KY 40225

In Canada: www.geappliances.ca, or write to: Director, Consumer Relations, Mabe Canada Inc.
Suite 310, 1 Factory Lane
Moncton, N.B. E1C 9M3



Register Your Appliance

In the U.S.: ge.com

Register your new appliance on-line—at your convenience! Timely product registration will allow for enhanced communication and prompt service under the terms of your warranty, should the need arise. You may also mail in the pre-printed registration card included in the packing material. **In Canada: www.geappliances.ca**