



**duet**<sup>®</sup>  
steam

**duet**<sup>®</sup>  
vapeur

---

## FRONT-LOADING AUTOMATIC WASHER

### Use & Care Guide

For questions about features, operation/performance,  
parts, accessories or service call: 1-800-253-1301

In Canada, call: 1-800-807-6777

or visit our website at [www.whirlpool.com](http://www.whirlpool.com) or [www.whirlpool.ca](http://www.whirlpool.ca)

---

## LAVEUSE AUTOMATIQUE À CHARGEMENT FRONTAL

### Guide d'utilisation et d'entretien

Au Canada, pour assistance, installation ou service, composez le :  
1-800-807-6777

ou visitez notre site internet à [www.whirlpool.ca](http://www.whirlpool.ca)

---

Table of Contents/Table des matières ..... 2

---

Para obtener acceso al manual de uso y cuidado en español, o  
para obtener información adicional acerca de su producto, visite:  
[www.whirlpool.com](http://www.whirlpool.com).

Tenga listo su número de modelo completo. Podrá encontrar el  
número de modelo y de serie en la etiqueta ubicada debajo de la  
tapa de la lavadora.



Certified to Sanitize  
Certifié pour aseptiser



Designed to use only HE High Efficiency Detergent  
Conçue pour l'utilisation d'un détergent haute efficacité seulement



## TABLE OF CONTENTS

<b>WASHER SAFETY</b> .....	<b>3</b>
<b>INSTALLATION REQUIREMENTS</b> .....	<b>4</b>
Tools and Parts .....	4
Options .....	4
Location Requirements .....	5
Drain System .....	6
Electrical Requirements .....	7
<b>INSTALLATION INSTRUCTIONS</b> .....	<b>7</b>
Remove Transport System .....	7
Connect the Inlet Hoses .....	8
Route the Drain Hose .....	8
Secure the Drain Hose .....	9
Level the Washer .....	9
Complete Installation .....	9
<b>FEATURES AND BENEFITS</b> .....	<b>10</b>
<b>WASHER USE</b> .....	<b>11</b>
Starting Your Washer .....	11
Using the Proper Detergent .....	11
Using the Dispenser .....	12
Pausing or Restarting .....	13
Changing Cycles, Options and Modifiers .....	13
Status Lights .....	13
Cycles .....	14
Normal Washer Sounds .....	16
Options .....	16
Modifiers .....	16
Laundry Guide .....	17
<b>LAUNDRY TIPS</b> .....	<b>18</b>
Loading .....	18
<b>WASHER CARE</b> .....	<b>19</b>
Cleaning Your Washer .....	19
Water Inlet Hoses .....	20
Vacation, Storage, and Moving Care .....	20
<b>TROUBLESHOOTING</b> .....	<b>21</b>
<b>ASSISTANCE OR SERVICE</b> .....	<b>24</b>
In the U.S.A. ....	24
In Canada .....	24
Accessories .....	24
<b>WARRANTY</b> .....	<b>25</b>

## TABLE DES MATIÈRES

<b>SÉCURITÉ DE LA LAVEUSE</b> .....	<b>26</b>
<b>EXIGENCES D'INSTALLATION</b> .....	<b>27</b>
Outillage et pièces .....	27
Options .....	27
Exigences d'emplacement .....	28
Système de vidange .....	29
Spécifications électriques .....	30
<b>INSTRUCTIONS D'INSTALLATION</b> .....	<b>31</b>
Élimination des accessoires de transport .....	31
Raccordement des tuyaux d'alimentation .....	31
Acheminement du tuyau de vidange .....	32
Immobilisation du tuyau de vidange .....	32
Réglage de l'aplomb de la laveuse .....	33
Achever l'installation .....	33
<b>CARACTÉRISTIQUES ET AVANTAGES</b> .....	<b>34</b>
<b>UTILISATION DE LA LAVEUSE</b> .....	<b>35</b>
Mise en marche de la laveuse .....	35
Utilisation du détergent approprié .....	35
Utilisation du distributeur .....	36
Pause ou remise en marche .....	38
Changement des programmes, options et modificateurs .....	38
Témoins lumineux .....	38
Programmes .....	39
Sons normaux émis par la laveuse .....	41
Options .....	41
Modificateurs .....	42
Guide de lessivage .....	43
<b>CONSEILS DE LESSIVAGE</b> .....	<b>44</b>
Chargement .....	44
<b>ENTRETIEN DE LA LAVEUSE</b> .....	<b>45</b>
Nettoyage de la laveuse .....	45
Tuyaux d'arrivée d'eau .....	46
Précautions à prendre avant les vacances, un entreposage ou un déménagement .....	46
<b>DÉPANNAGE</b> .....	<b>47</b>
<b>ASSISTANCE OU SERVICE</b> .....	<b>50</b>
Aux États-Unis .....	50
Au Canada .....	50
Accessoires .....	50
<b>GARANTIE</b> .....	<b>51</b>

# WASHER SAFETY

## Your safety and the safety of others are very important.

We have provided many important safety messages in this manual and on your appliance. Always read and obey all safety messages.



This is the safety alert symbol.

This symbol alerts you to potential hazards that can kill or hurt you and others.

All safety messages will follow the safety alert symbol and either the word "DANGER" or "WARNING." These words mean:

**⚠ DANGER**

You can be killed or seriously injured if you don't immediately follow instructions.

**⚠ WARNING**

You can be killed or seriously injured if you don't follow instructions.

All safety messages will tell you what the potential hazard is, tell you how to reduce the chance of injury, and tell you what can happen if the instructions are not followed.

## IMPORTANT SAFETY INSTRUCTIONS

**WARNING:** To reduce the risk of fire, electric shock, or injury to persons when using the washer, follow basic precautions, including the following:

- Read all instructions before using the washer.
- Do not wash articles that have been previously cleaned in, washed in, soaked in, or spotted with gasoline, dry-cleaning solvents, other flammable, or explosive substances as they give off vapors that could ignite or explode.
- Do not add gasoline, dry-cleaning solvents, or other flammable, or explosive substances to the wash water. These substances give off vapors that could ignite or explode.
- Under certain conditions, hydrogen gas may be produced in a hot water system that has not been used for 2 weeks or more. **HYDROGEN GAS IS EXPLOSIVE.** If the hot water system has not been used for such a period, before using the washing machine, turn on all hot water faucets and let the water flow from each for several minutes. This will release any accumulated hydrogen gas. As the gas is flammable, do not smoke or use an open flame during this time.
- Do not allow children to play on or in the washer. Close supervision of children is necessary when the washer is used near children.
- Before the washer is removed from service or discarded, remove the door or lid.
- Do not reach into the washer if the drum, tub or agitator is moving.
- Do not install or store the washer where it will be exposed to the weather.
- Do not tamper with controls.
- Do not repair or replace any part of the washer or attempt any servicing unless specifically recommended in this manual or in published user-repair instructions that you understand and have the skills to carry out.
- See "Electrical Requirements" for grounding instructions.

**SAVE THESE INSTRUCTIONS**

# INSTALLATION REQUIREMENTS

## Tools and Parts

Gather the required tools and parts before starting installation. The parts supplied are in the washer drum.

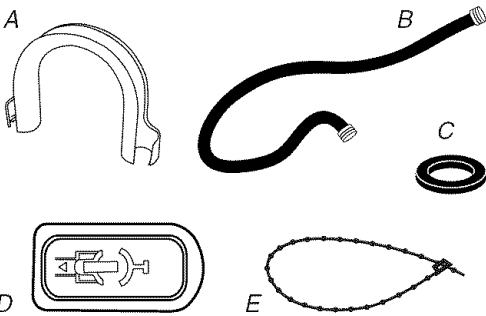
### Tools needed for connecting the water inlet hoses

- Pliers (that open to 1<sup>9</sup>/<sub>16</sub>" [39.5 mm])
- Flashlight (optional)

### Tools needed for installation

- Open end wrenches 17 mm and 13 mm
- Level
- Wood block
- Ruler or measuring tape

### Parts supplied:



A. Drain hose form  
 B. Inlet hose (2)  
 C. Inlet hose washer (4)  
 D. Transport bolt hole plug (4)  
 E. Beaded strap

### Alternate Parts

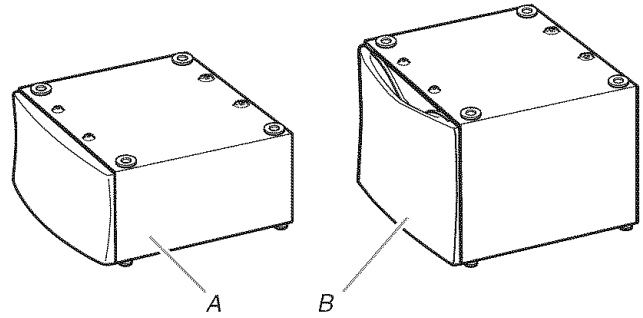
Your installation may require additional parts. If you are interested in purchasing one of the items listed here, call the toll-free number on the cover or in the "Assistance or Service" section.

If You Have	You Will Need to Buy
Laundry tub or standpipe taller than 96" (2.4 m)	Sump pump system (if not already available)
Overhead sewer	Standard 20 gal. (76 L), 30" (76.2 cm) tall drain tub or utility sink and sump pump (available from local plumbing suppliers)
Floor drain	Siphon break, Part Number 285834; additional drain hose Part Number 8318155; and connector kit, Part Number 285835
Drain hose too short	4 ft (1.2 m) drain hose extension kit, Part Number 285863
Water faucets beyond reach of fill hoses	2 longer water fill hoses: 6 ft (1.8 m) Part Number 76314, 10 ft (3.0 m) Part Number 350008

## Options

### Pedestal

You have the option of purchasing pedestals of different heights separately for this washer. You may select a 10" (25.4 cm) or a 15.5" (39.4 cm) pedestal. These pedestals will add to the total height of the washer for a total height of approximately 48" (121.9 cm) or 53.5" (135.9 cm), respectively.



A. 10" (25.4 cm) pedestal  
 B. 15.5" (39.4 cm) pedestal

To order, call the dealer from whom you purchased your washer or refer to the "Assistance or Service" section.

Pedestal Height	Color	Part Number
10" (25.4 cm)	White	WHP1000SQ
15.5" (39.4 cm)	White	WHP1500SQ
15.5" (39.4 cm)	Tuscan Chestnut	WHP1500SC

### Stack Kit

Are you planning to stack your washer and dryer? To do so you will need to purchase a Stack Kit.

To order, call the dealer from whom you purchased your dryer or refer to the "Assistance or Service" section. Ask for Part Number 8541503.

## Location Requirements

Selecting the proper location for your washer improves performance and minimizes noise and possible washer “walk.”

Your washer can be installed under a custom counter, or in a basement, laundry room, closet, or recessed area. See “Drain System.”

Companion appliance location requirements should also be considered. Proper installation is your responsibility.

### You will need

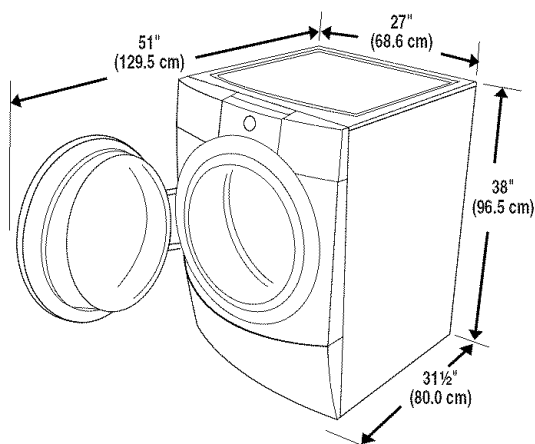
- A water heater set to deliver 120°F (49°C) water to the washer.
- A grounded electrical outlet located within 6 ft (1.8 m) of where the power cord is attached to the back of the washer. See “Electrical Requirements.”
- Hot and cold water faucets located within 4 ft (1.2 m) of the hot and cold water fill valves, and water pressure of 20-100 psi (137.9-689.6 kPa).
- If you live in a hard water area, use of a water softener is recommended to control the buildup of scale in the steamer and other areas of the washer. Over time the buildup of lime scale may clog the steamer, which will reduce steamer efficiency and performance. Excessive buildup of scale may lead to the need for steamer replacement or repair.
- A level floor with a maximum slope of 1" (2.5 cm) under entire washer. Installing the washer on soft floor surfaces, such as carpets or surfaces with foam backing, is not recommended.
- A sturdy and solid floor to support the washer with a total weight (water and load) of 400 lbs (180 kg).

Do not operate your washer in temperatures below 32°F (0°C). Some water can remain in the washer and can cause damage in low temperatures.

### Installation clearances

- The location must be large enough to allow the washer door to be fully opened.
- Additional spacing should be considered for ease of installation and servicing.
- Additional clearances might be required for wall, door, and floor moldings.
- Additional spacing of 1" (2.5 cm) on all sides of the washer is recommended to reduce noise transfer.
- Companion appliance spacing should also be considered.

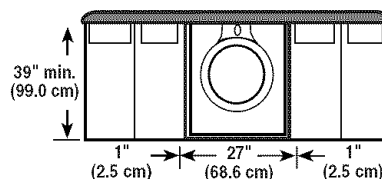
### Washer Dimensions



### Recommended installation spacing for custom undercounter installation

The dimensions shown are for the recommended spacing.

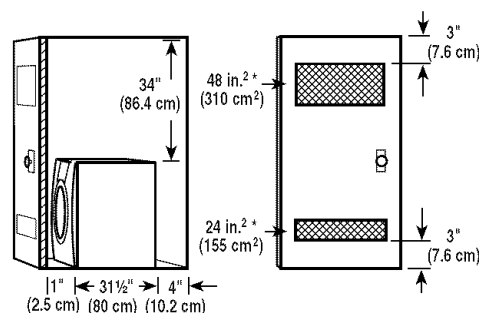
#### Custom undercounter installation - Washer only



### Recommended installation spacing for recessed or closet installation, with or without a pedestal

The dimensions shown are for the recommended spacing.

#### Recessed area or closet installation



A

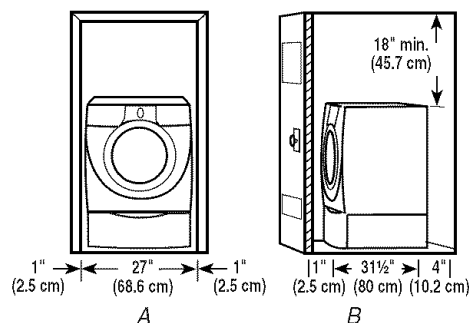
B

A. Side view - closet or confined area

B. Closet door with vents

\*Min. top and bottom air openings for closet door.

#### Recessed or closet installation - Washer on pedestal



A

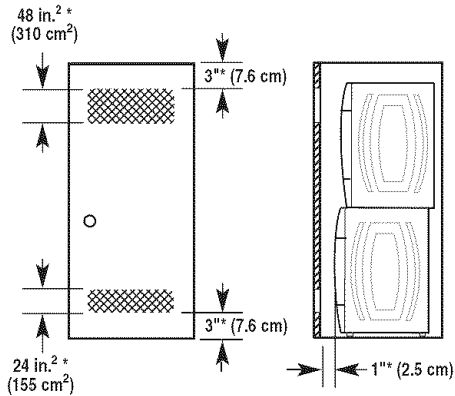
B

A. Recessed area

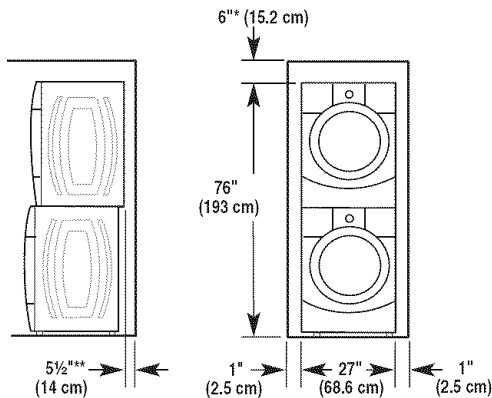
B. Side view - closet or confined area

## Recommended installation spacing for recessed or closet installation, with stacked washer and dryer

The dimensions shown are for the recommended spacing.



\*Required spacing

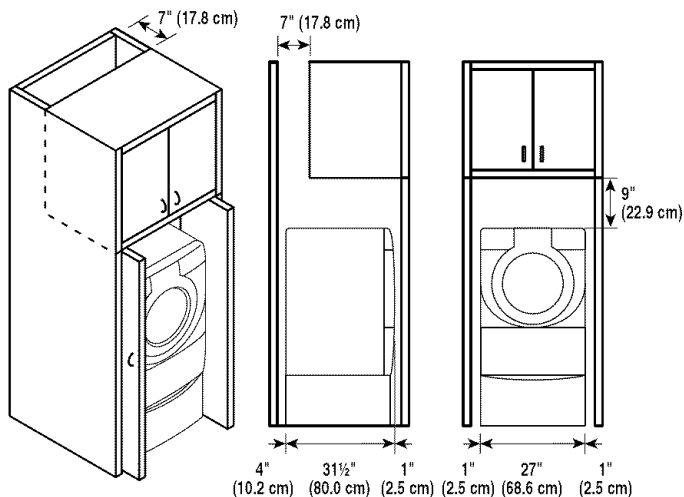


\*Required spacing

\*\*For venting out the side, 1" (2.5 cm) spacing is allowed.

## Recommended installation spacing for cabinet installation

- The dimensions shown are for the recommended spacing.
- For cabinet installation, with a door, the minimum ventilation openings in the top are required.



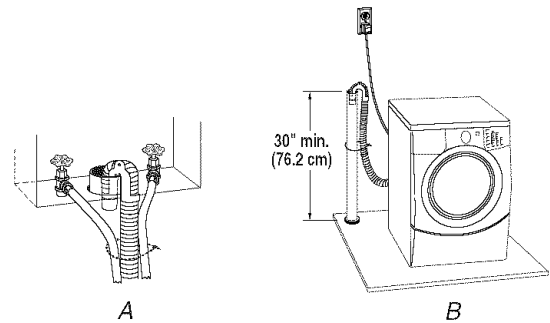
## Drain System

The washer can be installed using the standpipe drain system (floor or wall), the laundry tub drain system, or the floor drain system. Select the drain hose installation method you need. See "Tools and Parts."

### Standpipe drain system - wall or floor (views A & B)

The standpipe drain requires a minimum diameter standpipe of 2" (5 cm). The minimum carry-away capacity can be no less than 17 gal. (64 L) per minute.

The top of the standpipe must be at least 30" (76.2 cm) high and no higher than 96" (2.4 m) from the bottom of the washer.



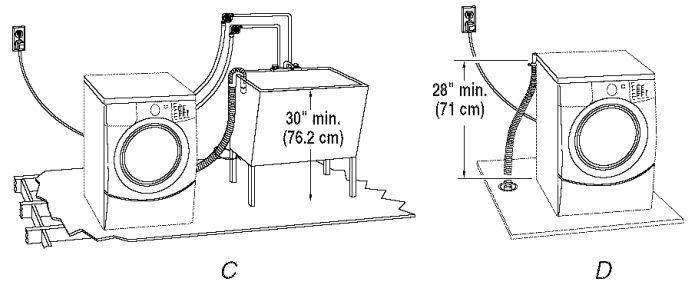
### Laundry tub drain system (view C)

The laundry tub needs a minimum 20 gal. (76 L) capacity. The top of the laundry tub must be at least 30" (76.2 cm) above the floor.

### Floor drain system (view D)

The floor drain system requires a siphon break that may be purchased separately. See "Tools and Parts."

The siphon break must be a minimum of 28" (71 cm) from the bottom of the washer. Additional hoses might be needed.



## Electrical Requirements

### **⚠ WARNING**



#### Electrical Shock Hazard

**Plug into a grounded 3 prong outlet.**

**Do not remove ground prong.**

**Do not use an adapter.**

**Do not use an extension cord.**

**Failure to follow these instructions can result in death, fire, or electrical shock.**

- A 120 volt, 60 Hz., AC only, 15- or 20-amp, fused electrical supply is required. A time-delay fuse or circuit breaker is recommended. It is recommended that a separate circuit serving only this appliance be provided.
- This washer is equipped with a power supply cord having a grounded 3 prong plug.
- To minimize possible shock hazard, the cord must be plugged into a mating, grounded 3 prong outlet, grounded in accordance with local codes and ordinances. If a mating outlet is not available, it is the personal responsibility and obligation of the customer to have the properly grounded outlet installed by a qualified electrician.
- If codes permit and a separate ground wire is used, it is recommended that a qualified electrician determine that the ground path is adequate.

- Do not ground to a gas pipe.
- Check with a qualified electrician if you are not sure the washer is properly grounded.
- Do not have a fuse in the neutral or ground circuit.

### GROUNDING INSTRUCTIONS

#### **For a grounded, cord-connected washer:**

This washer must be grounded. In the event of a malfunction or breakdown, grounding will reduce the risk of electrical shock by providing a path of least resistance for electric current. This washer is equipped with a cord having an equipment-grounding conductor and a grounding plug. The plug must be plugged into an appropriate outlet that is properly installed and grounded in accordance with all local codes and ordinances.

**WARNING:** Improper connection of the equipment-grounding conductor can result in a risk of electric shock. Check with a qualified electrician or serviceman if you are in doubt as to whether the appliance is properly grounded.

Do not modify the plug provided with the appliance – if it will not fit the outlet, have a proper outlet installed by a qualified electrician.

#### **For a permanently connected washer:**

This washer must be connected to a grounded metal, permanent wiring system, or an equipment grounding conductor must be run with the circuit conductors and connected to the equipment-grounding terminal or lead on the appliance.

## INSTALLATION INSTRUCTIONS

### Remove Transport System

### **⚠ WARNING**

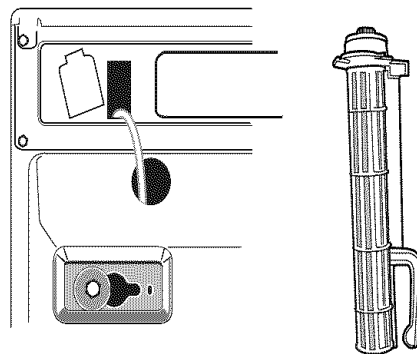
#### Excessive Weight Hazard

**Use two or more people to move and install washer.**

**Failure to do so can result in back or other injury.**

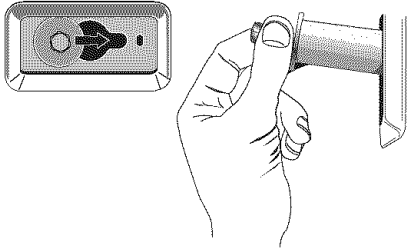
**IMPORTANT:** Position the washer so that the rear of the washer is within approximately 3 ft (90 cm) of its final location.

There are 4 bolts in the rear panel of the washer that support the suspension system during transportation. These bolts also retain the power cord inside the washer until the bolts are removed.



1. Using a 13 mm wrench, loosen each of the bolts.

- Once the bolt is loose, move it to the center of the hole and completely pull out the bolt, including the plastic spacer covering the bolt.

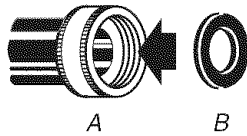


- Once all 4 bolts are removed discard bolt and spacers. Then pull the power cord through the opening of the rear panel and close the hole with the attached cap.
- Close the bolt holes with the 4 transport bolt hole plugs.

**NOTE:** If the washer is to be transported at a later date, call your local service center. To avoid suspension and structural damage to your washer, it must be properly set up for relocation by a certified technician.

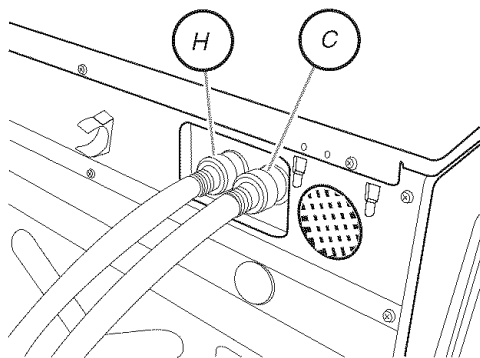
### Connect the Inlet Hoses

- Insert new flat washers (supplied) into each end of the inlet hoses. Firmly seat the washers in the couplings.



A. Coupling  
B. Washer

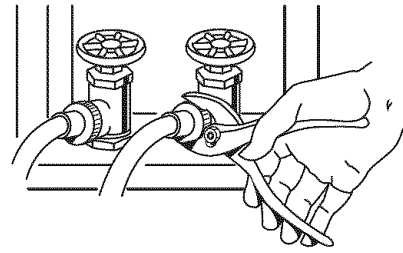
- Make sure the washer drum is empty.
- Attach the hose with the red color indicator to the Hot (left) inlet valve. Attaching the red coupling first makes it easier to tighten connection with pliers. Screw on coupling by hand until it is seated on the washer.
- Attach the hose with the blue color indicator to the Cold (right) water inlet valve. Screw on coupling by hand until it is seated on the washer.



H. Hot water inlet  
C. Cold water inlet

- Using pliers, check the tightness of the hose couplings already attached to the washer.  
**NOTE:** Do not overtighten. Damage to the coupling can result.
- Attach hot water hose to the hot water faucet. Screw on coupling by hand until it is seated on the washer.
- Attach cold water hose to the cold water faucet. Screw on coupling by hand until it is seated on the washer.

- Using pliers, tighten the couplings with an additional two-thirds turn.



**NOTE:** Do not overtighten. Damage to the coupling can result.

- Turn on the water faucets and check for leaks.

**NOTE:** Replace inlet hoses after 5 years of use to reduce the risk of hose failure. Record hose installation or replacement dates on the hoses for future reference.

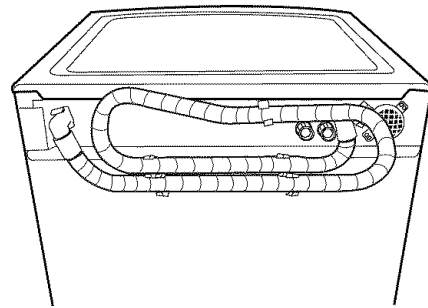
Periodically inspect and replace hoses if bulges, kinks, cuts, wear, or leaks are found.

### Route the Drain Hose

Proper routing of the drain hose protects your floors from damage due to water leakage. Read and follow these instructions.

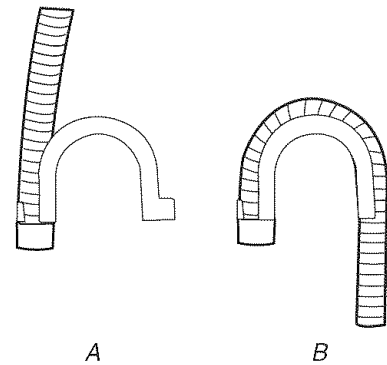
#### Remove drain hose from washer cabinet

Gently pull the corrugated drain hose from the shipping clips.



#### Laundry tub drain or standpipe drain

Connect the drain hose form to the corrugated drain hose.



A. Snap either end of the drain hose form to the drain hose at the point where the corrugation begins.  
B. Bend drain hose over drain hose form and snap into place.

#### To keep drain water from going back into the washer:

- Do not straighten the drain hose, and do not force excess drain hose into standpipe. Hose should be secure, but loose enough to provide a gap for air.
- Do not lay excess hose on the bottom of the laundry tub.

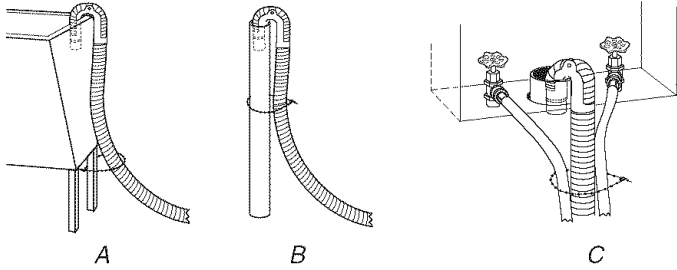
#### Floor drain

You may need additional parts. See Floor drain under "Tools and Parts."



## Secure the Drain Hose

1. Drape the power cord over the washer top.
2. Secure the drain hose to the laundry tub leg or standpipe with the beaded strap provided. (See illustrations A and B.)



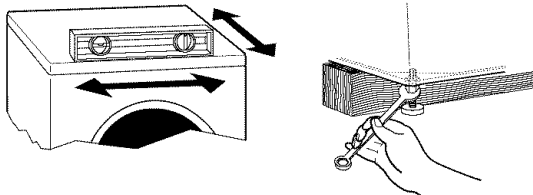
If the washer faucets and the drain standpipe are recessed (see illustration C), put the hooked end of the drain hose in the standpipe. Tightly wrap the beaded strap around the water inlet hoses and the drain hose.

Do not force excess drain hose into the standpipe.

## Level the Washer

Properly leveling your washer avoids excessive noise and vibration.

1. Check the levelness of the washer by placing a level on the top edge of the washer, first side to side, then front to back.



If the washer is against a wall, move the washer out slightly before tipping back. If the washer is not level, first prop the front with a wood block and adjust the feet as necessary; then prop the back and adjust feet as necessary. Repeat this step until washer is level.

2. Make sure all four feet are stable and resting on the floor. Then check that the washer is perfectly level (use a level).
3. After the washer is level, use a 17 mm open-end wrench to turn the nuts on the feet tightly against the washer cabinet.  
**IMPORTANT:** All four feet must be tightened. If the nuts are not tight against the washer cabinet, the washer may vibrate.
4. The washer should not move front to back, side to side, or diagonally when pushed on its top edges.
5. Slide the washer to its final location.
6. Confirm the levelness of the washer.

## Complete Installation

1. Check the electrical requirements. Be sure that you have the correct electrical supply and the recommended grounding method. See "Electrical Requirements."
2. Check that all parts are now installed. If there is an extra part, go back through the steps to see which step was skipped.
3. Check that you have all of your tools.
4. Dispose of/recycle all packaging materials.
5. Check that the water faucets are on.
6. Check for leaks around faucets and inlet hoses.

## ⚠ WARNING



### Electrical Shock Hazard

Plug into a grounded 3 prong outlet.

Do not remove ground prong.

Do not use an adapter.

Do not use an extension cord.

Failure to follow these instructions can result in death, fire, or electrical shock.

7. Plug into a grounded 3 prong outlet.
8. Read "Washer Use."
9. To test and to clean your washer, measure  $\frac{1}{2}$  the detergent manufacturer's recommended amount of HE High Efficiency detergent for a medium-size load. Pour the detergent into the detergent dispenser. Select NORMAL/CASUAL, and then select START. Allow the washer to complete one whole cycle.



Use only HE High Efficiency detergent.

# FEATURES AND BENEFITS

## Electronic Controls

Flexible electronic controls are easy to use whether you are a beginner or an expert.

## Smart Dispensers

The Smart Dispensers make your washer truly automatic. This washer provides a three-compartment dispenser which includes separate compartments for High Efficiency "HE" detergent, fabric softener, and liquid chlorine bleach. The dispenser can easily be removed for cleaning. Laundry products are dispensed automatically at the proper time during the wash cycle, making it unnecessary for you to return to the washer during the cycle to add them and ensuring that these cleaning products perform their best.

## Deep Clean with Steam

This washer has a built-in steaming unit which is combined with the DEEP CLEAN option to provide multiple temperatures to help remove a variety of stains from garments.

## Clean Washer Cycle with Steam

This cycle uses steam to raise the temperature of the washer and makes the washer self-cleaning, flushing the machine's interior free of dirt and other residue. The use of AFFRESH™ washer cleaner or liquid chlorine bleach with this cycle, will remove and help avoid odor-causing residue.

## Auto Water Level

This washer automatically adjusts water level for optimal cleaning and rinsing performance. Two sensors determine load size, load composition, and suds level, then the sensors adjust the water level to the proper setting. This eliminates guesswork. The water level is just right for every wash load size.

## Larger Load Size

Since there is no agitator, you can wash larger, bulkier items such as a king-sized bedspread. You are also able to wash more clothes at one time, which means fewer loads.

## Stainless Steel Drum

The stainless steel drum eliminates corrosion and enables higher spin speeds for more water extraction, helping to reduce drying time compared to traditional top-load washers.

## High-Efficiency Wash System

Your new front-loading, high-efficiency washer saves time with fewer, larger loads. It also lowers your water and energy bills by helping conserve resources.

## Spin Speeds

This washer automatically selects the spin speed based on the cycle selected. This factory setting can be changed, however. This washer offers up to four different spin speed choices.

## Heating Element

This washer has a heating element that automatically heats the water to the optimal temperature on select cycles. This enables stepped cleaning, a process in which warm water is brought in and mixed with detergent first, then the water is heated. Stepped cleaning starts the wash cycle with warm water to remove stains (such as blood and grass).

## 6th Sense™ Technology

Intuitive intelligence "knows every load" determining load sizes, water levels and how much cleaning time is needed.



## Add A Garment

When this option is available at the beginning of the cycle, the Add a garment Status Light will glow for the first 4-8 minutes. This washer allows an 4-8 minute period in which other garments may be added to a load.

## Direct Injection Wash System

This washer channels 100% of the water through the dispensers to assure thorough rinse-out and mixture of all the laundry products before they touch any garments. The water is then sprayed from the top front onto the center of the load, providing even distribution and optimum cleaning performance. It is normal for small amounts of water to remain in the dispensers when the wash cycle is complete.

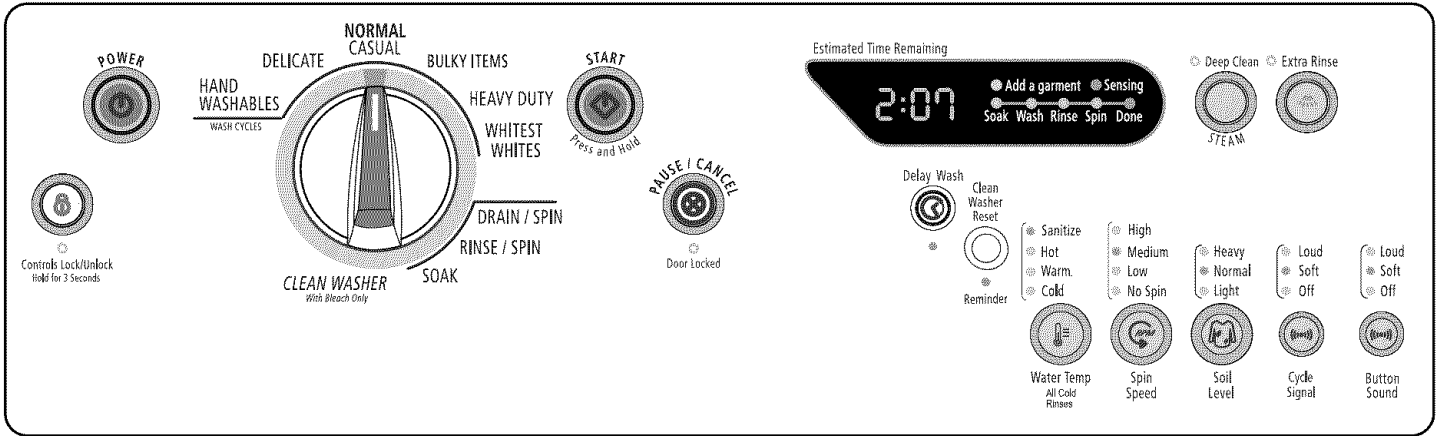
## Efficient Detergent System with Anti-Escape Valve

This washer has a specially designed valve that closes during the wash portion of the cycle so that 100% of the water and detergent mixture is used on the load. The Efficient Detergent System ensures that no water or detergent is wasted.

## 6-Point Suspension System

Shock absorbers, 2 springs and electronic controls are specially designed to help redistribute the load automatically and minimize movement of the wash drum during the spin cycle. The 6-Point Suspension System reduces the amount of force transmitted to the floor by the washer, resulting in reduced noise and vibration.

# WASHER USE



**NOTE:** The panel shown above may be different from that of your model.

## Starting Your Washer

### ⚠ WARNING



#### Fire Hazard

**Never place items in the washer that are dampened with gasoline or other flammable fluids.**

**No washer can completely remove oil.**

**Do not dry anything that has ever had any type of oil on it (including cooking oils).**

**Doing so can result in death, explosion, or fire.**

**WARNING:** To reduce the risk of fire, electric shock, or injury to persons, read the IMPORTANT SAFETY INSTRUCTIONS before operating this appliance.

The following is a guide to using your washer. Please refer to specific sections of this manual for more detailed information.

Do not store laundry products on the top surface of this washer. Vibration is normal during operation.

## Using the Proper Detergent

Use only High Efficiency detergents. The package for this type of detergent will be marked "HE" or "High Efficiency." This wash system, along with less water, will create too much sudsing with a regular non-HE detergent. Using regular detergent will likely result in washer errors, longer cycle times and reduced rinsing performance. It may also result in component failures and noticeable mold or mildew. HE detergents are made to produce the right amount of suds for the best performance. Follow the manufacturer's instructions to determine the amount of detergent to use.



Use only HE High Efficiency detergent.

## First Wash Cycle Without Laundry

Before washing clothes for the first time, if not completed during the final installation step, choose the Normal/Casual cycle and run it without clothes. Use only HE High Efficiency detergent. Use ½ the manufacturer's recommended amount for a medium-size load. This initial cycle serves to ensure the interior is clean before washing clothes.

## For All Wash Cycles

1. Open the washer door by pulling on the handle. Sort laundry according to color and type of fabric. Place a load of sorted clothes in the washer. Do not overload washer. Overloading can cause poor cleaning.
  - The washer can be fully loaded, but not tightly packed. Washer door should close easily.
  - Mix large and small items and avoid washing single items. Load evenly.
  - Wash small items, such as infant socks, in mesh garment bags. It is recommended that more than one garment bag be used, and that each garment bag be filled with equal amounts of material.
  - When unloading garments, check under the gray colored seal at the front of the tub for small items.
2. Close the washer door by pushing it firmly until the lock clicks. The washer door will remain locked during the wash cycle.

### NOTES:

- After any wash cycle is completed, the door must be opened and then closed before a new cycle can begin.
  - The door can be opened only if PAUSE/CANCEL is selected while the Add A Garment light is glowing or if the cycle has been canceled.
  - See "To cancel a cycle" in "Changing, Cycles, Options and Modifiers" section.
3. Open the dispenser drawer and add laundry products to the detergent, bleach, or fabric softener compartments. Close drawer slowly to avoid spills. See "Using the Dispenser."

4. Turn on the washer by selecting POWER. Select one of the cycles by turning the cycle selector. The indicator light for the selected cycle will glow green. When you are selecting a wash cycle, the preset options and modifiers (such as Water Temp, Spin Speed, and Soil Level) for the selected cycle will glow green. Selectable options will glow amber. If an option or modifier is unavailable with a selected cycle, the light will not illuminate. The display shows the estimated time remaining. The preset settings provide the recommended fabric care for the selected cycle. See "Cycles."
5. Select the desired Options. Not all options are available with all cycles. See "Options."
6. Select the desired modifiers such as Water Temp, Spin Speed and Soil Level. Not all modifiers are available with all cycles and options. See "Modifiers."
7. If desired, select the CYCLE SIGNAL. The signal is helpful when you are washing items that should be removed from the washer as soon as it stops. Select Loud, Soft or Off.
8. If desired, select the BUTTON SOUND. This feature makes a sound each time a button is pressed. Select Loud, Soft or Off.
9. Select and hold START for approximately 1 second.
  - If you do not select START within 5 minutes of choosing a cycle, the washer automatically shuts off.
  - When the wash cycle is complete, the DONE status light glows, the door unlocks, and the wash load can be removed from the washer. The washer powers down automatically 60 minutes after the cycle is complete and the DONE light goes off. To power down the washer manually after the wash cycle is complete, select PAUSE/CANCEL once.
10. To use the same cycle again, press POWER first, then select START.
11. **To begin the wash cycle later**  
 Select DELAY WASH until the desired delay time (in hours) shows in the Estimated Time Remaining display. Select START. The countdown to the wash cycle will show in the display window.  
**IMPORTANT:** When delaying a cycle, use only powdered detergents in the High Efficiency "HE" detergent compartment since liquid detergents may seep out of the compartment during Delay Wash, before the wash cycle begins.

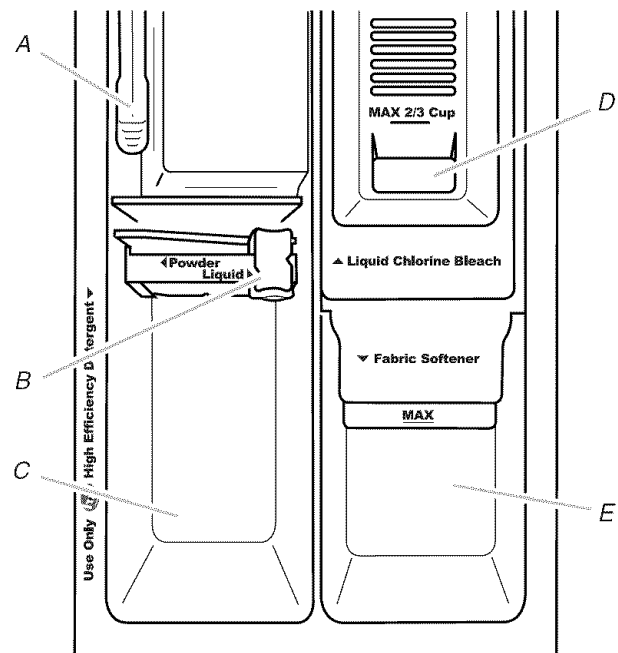
## Using the Dispenser

Your new washer has a dispenser drawer with three separate compartments for your laundry products—one is for high efficiency detergent, one is for liquid chlorine bleach, and one is for liquid fabric softener. Laundry products are diluted and dispensed automatically at the proper time during the wash cycle, making it unnecessary for you to return to the washer during the cycle to add them.

It is normal for small amounts of water to remain in the dispensers when the wash cycle is complete.

Do not put laundry products directly into the wash tub. Always use the proper dispensers when adding laundry products.

3. Push in the dispenser drawer slowly and completely (to avoid a spill).



**Dispenser**

- A. Dispenser release lever
- B. Detergent type selector
- C. High Efficiency "HE" detergent compartment
- D. Chlorine bleach compartment
- E. Fabric softener compartment

### Choosing the Right Detergent

Use only High Efficiency detergents. The package for this type of detergent will be marked "HE" or "High Efficiency." This wash system, along with less water, will create too much sudsing with a regular non-HE detergent. Using regular detergent will likely result in washer errors, longer cycle times and reduced rinsing performance. It may also result in component failures and noticeable mold or mildew. HE detergents are made to produce the right amount of suds for the best performance. Follow the manufacturer's instructions to determine the amount of detergent to use.



*Use only HE High Efficiency detergent.*

### To fill dispenser compartments

1. Pull out the dispenser drawer.
2. Add the desired laundry product to the proper compartment.

### High Efficiency "HE" detergent compartment

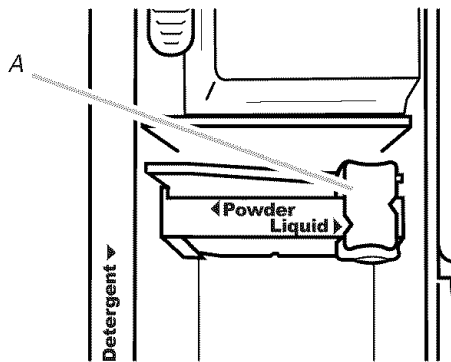
(Letters B and C in Dispenser Illustration)

Add liquid or powdered HE detergent to this compartment for your wash cycle. The detergent type selector (B) must always be in the correct position for the detergent type used. Slide the detergent type selector to the correct position.

**IMPORTANT:** If you are using the Delay Wash option, powdered detergent should be used in the compartment since liquid detergents may seep out of the compartment, before the wash begins.

- Use the detergent manufacturer's recommended amount for load size.

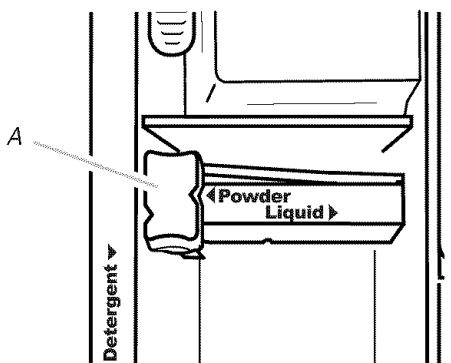
- **Liquid detergent:**



Selector in position for liquid detergent

A. Detergent type selector

- **Powdered detergent:**



Selector in position for powdered detergent

A. Detergent type selector

### Chlorine bleach compartment

(Letter D in Dispenser Illustration)

Add no more than  $\frac{2}{3}$  cup (160 mL) liquid chlorine bleach to this compartment. The bleach will be automatically diluted and dispensed at the best time during the first rinse after the wash cycle. This compartment cannot dilute powdered bleach.

- Always measure liquid chlorine bleach. Use a measuring cup with a pour spout; do not guess. Follow the manufacturer's directions for proper use.
- Do not fill beyond the "MAX" level.

**NOTE:** Overfilling could cause garment damage.

### Fabric softener compartment

(Letter E in Dispenser Illustration)

Pour measured liquid fabric softener into the fabric softener dispenser, if desired.

- Do not overfill. The dispenser holds  $\frac{1}{4}$  cup (60 mL) of fabric softener.
- The fabric softener is dispensed in the rinse cycle. If Extra Rinse is selected, the fabric softener will be dispensed during the Extra Rinse.
- Do not use fabric softener dispensing balls in this washer. Dispensing balls will not operate correctly with this washer.
- Do not spill or drip any fabric softener onto the clothes.

- At the end of the cycle, a small amount of water may be left in the dispenser. This is normal.

**NOTE:** Use only liquid fabric softener in this dispenser.

## Pausing or Restarting

1. To pause the washer at any time, press PAUSE/CANCEL.
2. To continue the cycle, press START (for approximately 1 second).

## Changing Cycles, Options and Modifiers

Not all Options and Modifiers are available with all cycles. Available modifiers will glow amber. If an option or modifier is unavailable with a selected cycle, the light will not illuminate. Cycles, Options and Modifiers can be changed anytime before START is selected.

### To cancel a cycle and select a new cycle

1. Press PAUSE/CANCEL twice.
2. Press POWER.
3. Select desired cycle.
4. Select the desired Options or modifiers such as Water Temp, Spin Speed and Soil Level.
5. Press START (for approximately 1 second) to restart the washer at the beginning of the new cycle.

### To cancel a cycle

1. Press PAUSE/CANCEL twice.
2. The washer powers down, the door unlocks, and clothes can be removed.

**NOTE:** If the water level or the temperature is too high, the washer will drain automatically before the door unlocks.

### To change Options or Modifiers after the cycle has started

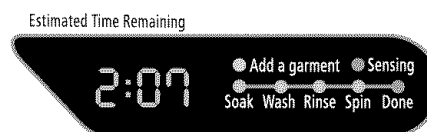
1. Press PAUSE/CANCEL once.
2. Select the desired Options or modifiers such as Water Temp, Spin Speed and Soil Level. Available selections will glow amber.
3. Press START (for approximately 1 second) to continue the cycle.

### To drain the washer manually

1. Press PAUSE/CANCEL twice.
2. Press POWER.
3. Select DRAIN/SPIN.
4. Press START (for approximately 1 second) to begin the drain.
5. When the spin is complete, the door unlocks. Items can be removed from the washer.

## Status Lights

These lights show which portion of the cycle the washer is operating. They also indicate when you can add an additional item to the wash cycle and when the controls are locked.



---

## Add a garment

---

This washer allows an 4-8 minute period in which other garments may be added to the load. You can add items to the washer if the Add a garment status light is glowing.

### To add items when Add a garment light is glowing

1. Select PAUSE/CANCEL once. The washer door unlocks after a few seconds, and items can be added.
2. To continue the cycle, close the door and select and hold START (for approximately 1 second).

### To add items when the Add a garment light is not glowing

1. You must cancel the current cycle by pressing PAUSE/CANCEL twice. This will cancel the wash cycle and options. The washer door unlocks, and items can be added.
2. Close the door, press POWER and select the new cycle and options. Select and hold START (for approximately 1 second).

---

## Done

---

The Done status light stays on for 60 minutes after the cycle is complete, and then the washer shuts off.

---

## Sanitized

---

This washer has a Sanitize water temperature, that is certified by NSF International, an independent third-party testing and certification organization. The certification verifies that the sanitizing cycle reduces 99.9% of bacteria typically found on clothing, bedding and towels, and there is no carryover of bacteria between loads after the cycle is complete.



Certified to Sanitize

If the "Sanitize" wash temperature was selected, when the wash cycle is complete, the DONE status light will illuminate, the door unlocks, and the wash load can be removed from the washer. The washer powers down automatically 60 minutes after the cycle is complete and the DONE status light turns off.

---

## Controls Lock/Unlock

---

The Controls Lock avoids unintended use of the washer. You can also use the control lock feature to avoid unintended cycle or option changes during a cycle. When Controls Lock is lit, all buttons are disabled except for Pause/Cancel and Start. You can lock the controls while the washer is operating.

### To lock the controls

Press and hold CONTROLS LOCK/UNLOCK for 3 seconds after the cycle starts, or when the washer is turned off.



Controls Lock/Unlock  
Hold for 3 Seconds

The status light next to the CONTROLS LOCK/UNLOCK button will glow.

### To unlock the controls

Press and hold CONTROLS LOCK/UNLOCK for 3 seconds until the status light turns off.

**NOTE:** To lock or unlock the controls when the washer is off, press and hold CONTROLS LOCK/UNLOCK for 3 seconds.

---

## Door Locked

---

When the status light glows, the door is locked.

---

## Sensing/Revising Estimated Time

---

The cycle times vary automatically based on your water pressure, water temperature, detergent, and clothes load.

The washer will automatically sense the progress in the cycle and adjust the Estimated Time Remaining display. While the washer is sensing, the estimated time will flash and the Sensing status light will glow. When the sensing is complete, the flashing stops, the status light goes off and the Estimated Time Remaining display is updated.

The cycle time will be extended if oversudsing occurs or the load is unbalanced. The SUD routine removes extra suds and assures proper rinsing of your garments. See "Troubleshooting." During the unbalance routine the time displayed may pause until this activity is complete, then resume with the remainder of the cycle.

---

## Clean Washer Reminder

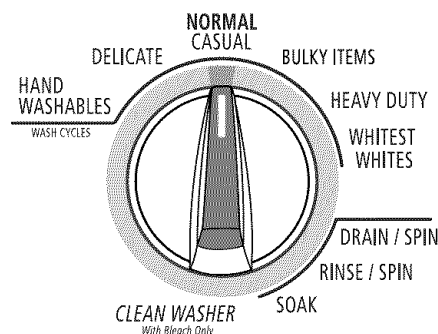
---

The Clean Washer Reminder light illuminates to remind you to use the Clean Washer cycle regularly. The reminder light will illuminate every 30 cycles. The reminder light may be reset by either running the Clean Washer cycle, or by pressing the CLEAN WASHER RESET button.

---

## Cycles

Cycles can be selected by turning the Cycle Control knob to the desired cycle. Each cycle is designed for different types of fabric and soil levels. The modifier indicator lights, on the right-hand side of the panel, will change as cycles are selected.



- Each cycle has a preset Soil Level (estimated cycle time), Water Temperature and Spin Speed, and may have preset options. The preset settings provide the recommended fabric care for the selected cycle.
- The preset settings will glow green to show the preselected options and modifiers, and which may be changed anytime before START is pressed. Not all options and modifiers are available with all cycles. Available selections glow amber. (To change settings after the cycle has started, press PAUSE/CANCEL once, then select the desired settings. Press START to continue the cycle.)
- Powdered detergents may not dissolve well in a slow-speed cycle. For best results, use liquid detergent in slow-speed cycles.

## Preset cycle settings

Each cycle has a preset Soil Level (cycle time), Water Temperature, and Spin Speed. The preset settings provide the recommended fabric care for the selected cycle. See chart.

Cycle	Soil Level (cycle time)	Water Temp	Spin Speed
<b>Whitest Whites</b>	Normal (1:20)	Hot/Cold	High
<b>Heavy Duty</b>	Normal (1:10)	Hot/Cold	High
<b>Bulky Items</b>	Normal (0:55)	Warm/Cold	Low
<b>Normal/Casual</b>	Normal (0:50)	Warm/Cold	High
<b>Delicate</b>	Normal (0:40)	Warm/Cold	Medium
<b>Hand Washables</b>	Normal (0:30)	Cold/Cold	Low
<b>Clean Washer</b>		N/A	High
<b>Soak</b>	Normal (0:30)	Warm/Cold	No Spin
<b>Rinse/Spin</b>	N/A (0:22)	Cold/Cold	High
<b>Drain/Spin</b>	N/A (0:13)	N/A	High

## To change the preset cycle settings

Press the selector of each available setting until the desired setting glows green.

### Whitest Whites

This cycle is especially designed for cleaning loads of soiled white fabrics with the addition of bleach. Hot washing temperatures assure optimal bleach activity. An additional rinse provides optimal rinse performance to avoid chlorine residues on your laundry. This cycle combines fast-speed tumbling, longer wash time, and High speed spin to shorten drying time.

### Heavy Duty

Use this cycle to wash loads of sturdy, colorfast fabrics and heavily soiled garments. This cycle combines fast-speed tumbling, longer wash time, and High speed spin to shorten drying times. If the water temperature is lower than needed for this cycle, the heater will warm the water to the optimum temperature.

### Bulky Items

Use this cycle to wash large items such as blankets and comforters. This cycle starts with a soak to saturate your large load. This is followed by medium wash action and low-spin speeds to maintain load balance.

## Normal/Casual

Use this cycle to wash loads of no-iron fabrics, such as sport shirts, blouses, casual business clothes, permanent press blends, cottons and linens, and synthetic fabrics. This cycle combines medium-speed tumbling, high-speed spin, and a load cooling process to reduce wrinkling.

**NOTE:** For the best energy performance, use the Normal/Casual Cycle.

## Delicate

Use this cycle to clean hand washable and special-care garments. Similar to the way garments are hand washed in a sink, the wash action of this cycle combines periods of low speed tumbling and soaking. CRADLE CLEAN™ motion offers gentle fabric care for effective cleaning of delicate and hand washable garments. Medium speed spin helps reduce wrinkling.

- Use mesh garment bags to wash undergarments such as underwire bras, items with strings, and small items such as infant socks.

## Hand Washables

Use this cycle to clean hand washable and special-care garments. Similar to the way garments are hand washed in a sink, the wash action of this cycle combines periods of low speed tumbling and soaking. CRADLE CLEAN™ motion offers gentle fabric care for effective cleaning of delicate and hand washable garments. Low speed spin helps reduce wrinkling.

- Use mesh garment bags as necessary.

## Clean Washer

Use the Clean Washer cycle once a month to keep the inside of your washer fresh and clean. This cycle uses a higher water level. Use with AFFRESH™ washer cleaner tablet or liquid chlorine bleach to thoroughly clean the inside of your washing machine. This cycle should not be interrupted. See “Cleaning Your Washer” in the “Washer Care” section.

**IMPORTANT:** Do not place garments or other items in the washer during the Clean Washer cycle. Use this cycle with an empty wash drum.

## Soak

Use the Soak cycle to help remove small spots of set-in stains on fabrics. This cycle provides a soak time with warm or cold water followed by drain. Extra water, a short tumbling phase for equal distribution of the laundry, and a soaking time without drum movement improve the removal of set-in stains. Drain without spin assures gentle treatment, even for delicate articles.

## Rinse/Spin

Use this cycle to get a rinse and spin only. This cycle combines fast-speed tumbling and High speed spin. If desired, you can reduce the spin speed by selecting the speed you want from the SPIN SPEED modifier.

**A Rinse/Spin cycle is useful for**

- Loads that need rinsing only.
- Adding fabric softener to a load.

## Drain/Spin

Use this cycle to drain your washer or to drain and spin your wash load. The spin speed is preset to High. If desired, you can reduce the spin speed by selecting the speed you want from the SPIN SPEED modifier.

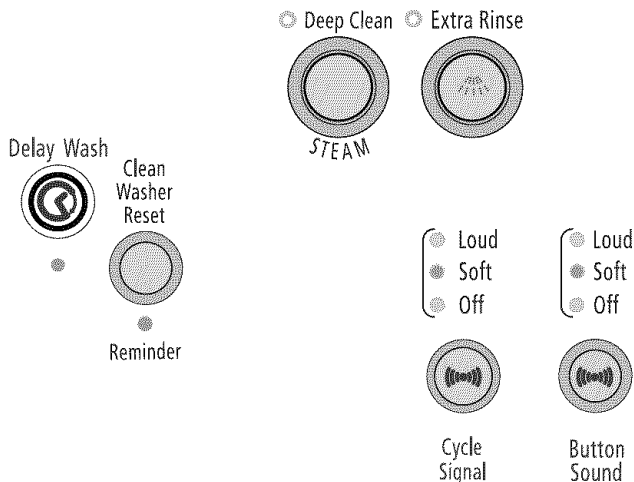
**NOTE:** Loads of synthetics, delicate fabrics, hand washables, and woolens should be drained with no spin or low spin speed to avoid fabric stress.

## Normal Washer Sounds

As with any new product, you will hear sounds that you are not accustomed to. You may hear various sounds when the door is locked and unlocked, and during the washing, rinsing, and spinning process. Between changes in wash actions, there will be momentary pauses. You will hear water spraying and splashing during the wash and rinse cycles. These new sounds and pauses are part of normal washer operation.

## Options

You can customize your wash by adding options to your cycle selections. You can add or change an option after starting a cycle anytime before the selected option begins. Not all options are available with all cycles. Available options will glow amber. Current selections will glow green. If an option is unavailable with a selected cycle, the light will not illuminate.



- See the “Laundry Guide” for an overview of possible options for each Wash Cycle selection.
- You can select more than one option for a cycle. Some options cannot be added to some cycles. For example, Deep Clean cannot be added to the Quick Wash cycle.
- If an option is unavailable with a selected cycle, there will be 3 short tones, and the light for that option will not glow when selected.

## Delay Wash

To begin the wash cycle later, select DELAY WASH until the desired delay time (in hours) shows in the Estimated Time Remaining display, and then select START. The countdown to the wash cycle will show in the display window, and the button indicator will blink until the cycle begins.

**IMPORTANT:** When delaying a cycle, use only powdered detergents in the high efficiency “HE” detergent compartment since liquid detergents may seep out of the compartment during Delay Wash, before the wash cycle begins.

## Clean Washer Reminder

The Clean Washer Reminder light illuminates to remind you to use the Clean Washer cycle regularly. The reminder light will illuminate every 30 cycles. The reminder light may be reset by either running the Clean Washer cycle, or by pressing the CLEAN WASHER RESET button.

## Deep Clean with Steam

Use this option for heavily soiled loads that need improved stain treatment, loads with multiple types of stains, or loads you suspect as having stains, but are afraid may have been missed (no sorting or searching for stains). When Deep Clean with Steam is selected, the water temperature of the selected wash cycle is automatically set to warm. The water will then be slowly heated to the temperature selected, along with steam, to aid in stain removal. This option will provide optimal removal of organic stains such as blood and grass.

## Extra Rinse

An extra rinse can be used to aid in the removal of detergent or bleach residue from garments. This option provides an additional rinse with the same water temperature as the first rinse.

## Cycle Signal

This signal is helpful when you are removing items from the washer as soon as it stops. Press CYCLE SIGNAL to select Loud, Soft or Off.

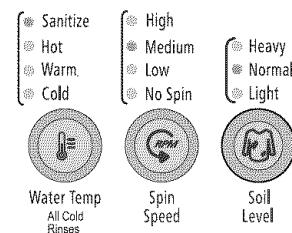
## Button Sound

Button sounds are used to notify you of what has been selected or to let you know when something is not available. Press BUTTON SOUND to select Loud, Soft or Off.

## Modifiers

Preset cycle settings of Water Temperature, Spin Speed, and Soil Level can be changed. You can change a modifier after starting a cycle anytime before the selected modifier begins. Not all modifiers are available with all cycles and options. Available options will glow amber. Current selections will glow green. If a modifier is unavailable with a selected cycle, the light will not illuminate.

**NOTE:** The panel shown below may be different from that of your model.



- To change the water temperature, select the WATER TEMP button until the desired setting glows green.
- To change the spin speed, select the SPIN SPEED button until the desired setting glows green.
- To change cycle time, select SOIL LEVEL button until the desired setting glows green.



## Water Temp

Select a water temperature based on the type of load you are washing. Use the warmest wash water safe for fabrics. Follow garment label instructions.

Warm rinses leave the loads dryer than cold rinses. Warm rinses increase wrinkling. In cold climates, a warm rinse makes the load more comfortable to handle. Cold rinses save energy.

- This washer has a Sanitize water temperature, that is certified by NSF International, an independent third-party testing and certification organization. The certification verifies that the sanitizing cycle reduces 99.9% of bacteria typically found on clothing, bedding and towels, and there is no carryover of bacteria between loads after the cycle is complete.



Certified to Sanitize

- The Sanitize temperature provides an extra high temperature to remove 99.9% of certain bacteria. It is recommended that you set your hot water heater to 120°F (49°C) to ensure proper performance during this cycle.

- The Sanitize Water Temp uses high water temperatures. Please check garment care label to avoid garment damage.
- In wash water temperatures colder than 60°F (15.6°C), detergents do not dissolve well. Soils may be difficult to remove.

## 6TH SENSE™ Technology

The 6TH SENSE™ Technology control electronically senses and maintains a uniform water temperature. 6TH SENSE™ Technology control regulates incoming hot and cold water. 6TH SENSE™ Technology control is automatically turned on when a cycle is selected. See “Preset Cycle Settings” in “Cycles.” 6TH SENSE™ Technology control ensures consistent cleaning.

- 6TH SENSE™ Technology control works for all wash temperature settings.
- 6TH SENSE™ Technology works for the rinse temperature where the wash temperature setting is marked with an asterisk, such as Warm\*. All other rinse temperatures are cold.



## Laundry Guide

Refer to this chart for suggested load types and their corresponding cycles. Listed to the right are the options available to each of these washer cycles.

CYCLE	SUGGESTED LOAD TYPE	AVAILABLE OPTIONS		
		Delay Wash	Deep Clean	Extra Rinse
<b>Whitest Whites</b>	Soiled white fabrics	✓	✓	✓
<b>Heavy Duty</b>	Sturdy, colorfast fabrics and heavily soiled garments	✓	✓	✓
<b>Bulky Items</b>	Normally soiled blankets and comforters	✓	✓	✓
<b>Normal/Casual</b>	Normally soiled blouses, shirts, overalls, etc., made of polyester, nylon, cotton, linen, or cotton blends	✓	✓	✓
<b>Delicate</b>	Special-care items marked “Hand Washable”	✓		✓
<b>Hand Washables</b>	Special-care items marked “Hand Washable”	✓		✓
<b>Clean Washer</b>	No clothes, use AFFRESH™ washer cleaner tablet or chlorine bleach			
<b>Soak</b>	Fabrics made of cotton, linen, polyester or nylon	✓		
<b>Rinse/Spin</b>	Fabrics made of cotton, linen, polyester or nylon	✓		✓
<b>Drain/Spin</b>	Fabrics made of cotton, linen, polyester or nylon	✓		

---

# LAUNDRY TIPS

## Preparing clothes for washing

Follow these recommendations to help you prolong the life of your garments.

- Use only High Efficiency detergents. The package for this type of detergent will be marked “HE” or “High Efficiency.” This wash system, along with less water, will create too much sudsing with a regular non-HE detergent. Using regular detergent will likely result in washer errors, longer cycle times and reduced rinsing performance. It may also result in component failures and noticeable mold or mildew. HE detergents are made to produce the right amount of suds for the best performance. Follow the manufacturer’s instructions to determine the amount of detergent to use.



*Use only HE High Efficiency detergent.*

- Close zippers, snaps, and hooks to avoid snagging other items. Remove pins, buckles, and other hard objects to avoid scratching the washer interior. Remove non-washable trim and ornaments.
- Empty pockets and turn them inside out.
- Turn down cuffs; brush away lint and dirt.
- Turn wool and synthetic knits inside out to avoid pilling.
- Tie strings and sashes so they will not tangle.
- Mend tears, loose hems, and seams.
- Treat spots and stains.
- Stained or wet garments should be washed promptly for best results.
- Mix large and small items, avoid washing single items, and load evenly.
- Wash small items, such as infant socks, in a mesh garment bag. To create a balanced load it is recommended that more than one garment bag be used, and that each garment bag be filled with equal amounts of material.

**NOTE:** If you are washing only small items, it is recommended that more than one mesh garment bag be used, and that each garment bag be filled with equal amounts of material.

## Sorting

- Separate heavily soiled items from lightly soiled ones, even if they would normally be washed together. Separate lint-givers (towels, chenille) from lint-takers (corduroy, synthetics, permanent press). When possible, turn lint-givers inside out.
- Separate dark colors from light colors, colorfast items from noncolorfast items.
- Sort by fabric and construction (sturdy cottons, knits, delicate items).

## Unloading

- Remove clothes from washer after the cycle is completed. Metal objects such as zippers, snaps, and buckles may rust if left in the washer basket for a long time.
- When unloading garments, occasionally check under the gray colored seal at the front of the tub for small items.

---

## Loading

---

### Loading suggestions

---

#### Heavy Work Clothes

4 jeans	2 sweatpants
4 workpants	2 sweatshirts
4 workshirts	

---

#### Towels

10 bath towels	14 washcloths
10 hand towels	

---

#### Mixed Load

3 sheets (1 king, 2 twin)	9 T-shirts
4 pillowcases	9 shorts
3 shirts	10 handkerchiefs
3 blouses	

---

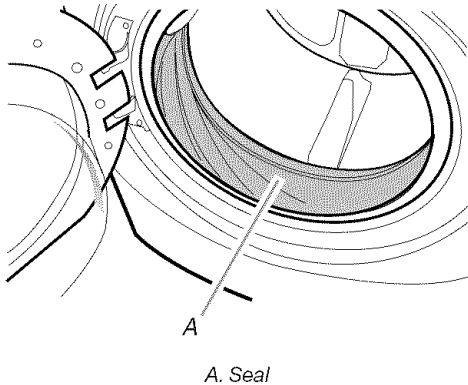
# WASHER CARE

## Cleaning Your Washer

The Washer Maintenance Procedure should be performed on a monthly basis.

### Cleaning the door seal

1. Open the washer door and remove any clothing or items from the washer.
2. Inspect the gray colored seal between the door opening and the basket for stained areas. Pull back the seal to inspect areas under the seal. Remove any foreign objects.



3. If stained areas are found, wipe down these areas of the seal, using the procedure that follows.
  - a) Mix a dilute solution, using  $\frac{3}{4}$  cup (177 mL) of liquid chlorine bleach, and 1 gal. (3.8 L) of warm tap water.
  - b) Wipe the seal area with the dilute solution, using a damp cloth.
  - c) Let stand 5 minutes.
  - d) Wipe down area thoroughly with a dry cloth and let the washer interior air dry with door open.

#### IMPORTANT:

- Wear rubber gloves when cleaning for prolonged periods.
- Refer to the bleach manufacturer's instructions for proper use.

### Washer Maintenance Procedure

This washer has a special cycle that uses higher water volumes and steam, in combination with AFFRESH™ washer cleaner or liquid chlorine bleach to thoroughly clean the inside of the washer.

#### NOTES:

- Read these instructions completely before beginning the cleaning process.
- If necessary, the cleaning cycle may be interrupted by pressing the Pause/Cancel button. However, this will not immediately stop the cycle. The machine will display "int" (interrupt) and continue with several rinse and drain steps to ensure that all remaining bleach is rinsed from the washer.

#### Begin procedure

1. Open the washer door and remove any clothing or items from the washer.
2. **Using the AFFRESH™ washer cleaner (Recommended):** Add one AFFRESH™ washer cleaner tablet to the washer drum.

#### If using liquid chlorine bleach:

Open the dispenser drawer and immediately add  $\frac{2}{3}$  cup (160 mL) of liquid chlorine bleach to the bleach compartment.

**NOTE:** Do not add any detergent to this cycle. Use of more than  $\frac{2}{3}$  cup (160 mL) of bleach will cause product damage over time.

3. Close the washer door and dispenser drawer.
4. Select the CLEAN WASHER cycle.
5. Press START.

**NOTE:** The basket will rotate, then the door will unlock, lock again, and then the cycle will continue.

- The machine will bring in some inlet water, and the basket will rotate while the washer runs a short sensing cycle. This will take approximately 3 minutes.
6. The cycle will determine whether clothing or other items are in the washer.
    - a) If no items are detected in the washer, it will proceed to Step 7.
    - b) If any items are detected in the washer, "rL" will be displayed, and the WASH and CONTROLS LOCKED lights will remain lit. The door will unlock. Open and remove any garments in the wash drum.
      - Press PAUSE/CANCEL to cancel the failure code. Then repeat steps 3, 4 and 5 to start the cycle again.
  7. Once the cycle has begun, allow the cycle to complete.
  8. After the cycle is complete, leave the door open slightly, to allow for better ventilation and drying of washer interior.

#### Always do the following to maintain washer freshness

- Use only HE High Efficiency detergent.
- Leave the door slightly open after each cycle to allow for better ventilation and drying of washer interior.
- Repeat the cleaning procedure monthly or when the CLEAN WASHER REMINDER light illuminates.
- If you are not ready to run the Clean Washer cycle, but the Clean Washer Reminder light is illuminated, press the Clean Washer Reset button.
- If the procedure does not sufficiently improve the machine freshness, evaluate your installation and usage conditions for other causes.

---

## Cleaning the exterior

---

Use a soft damp cloth or sponge to wipe up any spills. Occasionally wipe the outside of your washer to keep it looking new. Use mild soap and water. Do not use abrasive products.

---

## Cleaning the dispenser drawer

---

The dispenser drawer is removable for easy cleaning.

1. Unlock the dispenser drawer by pressing the Release Lever. See "Using the Dispenser." Remove the drawer.
2. Remove the inserts (the siphon from the softener and bleach compartments and the detergent selector).
3. Wash the parts under running water.
4. Replace the inserts and return the dispenser to the drawer.

---

## Water Inlet Hoses

Replace inlet hoses after 5 years of use to reduce the risk of hose failure. Periodically inspect and replace inlet hoses if bulges, kinks, cuts, wear or leaks are found.

When replacing your inlet hoses, record the date of replacement.

---

## Vacation, Storage, and Moving Care

Install and store your washer where it will not freeze. Because some water may stay in the hoses, freezing can damage your washer. If storing or moving your washer during freezing weather, winterize it.

### Non-use or vacation care:

Operate your washer only when you are at home. If you will be on vacation or not using your washer for an extended period of time, you should:

- Unplug washer or disconnect power.
- Turn off the water supply to the washer. This helps avoid unintended flooding (due to a water pressure surge) while you are away.
- Slightly open door to provide ventilation.

### To winterize washer:

1. Put 1 qt (1 L) of R.V.-type antifreeze in the drum.
2. Run washer on a Drain/Spin cycle.
3. Unplug washer or disconnect power.
4. Shut off both water faucets.
5. Disconnect water inlet hoses from faucets and drain.

### To use washer again:

1. Flush water pipes. Reconnect water inlet hoses to faucets. Turn on both water faucets.

## ⚠ WARNING



### Electrical Shock Hazard

**Plug into a grounded 3 prong outlet.**

**Do not remove ground prong.**

**Do not use an adapter.**

**Do not use an extension cord.**

**Failure to follow these instructions can result in death, fire, or electrical shock.**

2. Plug in washer or reconnect power.
3. Run the washer through the Normal/Casual cycle with ½ the manufacturer's recommended amount of HE detergent for a medium-size load, to clean the washer and remove the antifreeze, if used.

### To transport the washer:

1. If washer will be moved during freezing weather, put in 1 qt (1 L) of R.V.-type antifreeze in the drum. Run washer on a Drain/Spin cycle.
2. Unplug the power cord.
3. Disconnect the drain hose from the drain system and attach to rear panel clips.
4. Shut off both water faucets.
5. Disconnect the water inlet hoses from faucets, then drain the hoses and clip them to the rear panel of the washer.

**IMPORTANT:** Call for service. Do not reuse transport bolts. Washer must be transported in the upright position. To avoid suspension and structural damage to your washer, it must be properly set up for relocation by a certified technician.

### Reinstalling the washer

1. Follow the "Installation Instructions" to locate, level and connect the washer.
2. Run the washer through the Normal/Casual cycle with ½ the manufacturer's recommended amount of HE detergent for a medium-size load, to clean the washer and remove the antifreeze, if used.

# TROUBLESHOOTING

First try the solutions suggested here or visit our website and reference FAQs (Frequently Asked Questions) to possibly avoid the cost of a service call.

In the U.S.A. [www.whirlpool.com/help](http://www.whirlpool.com/help) In Canada [www.whirlpool.ca](http://www.whirlpool.ca)

## Washer displaying code message and tone sounds

- **“F20” (Water Inlet Problem—no water or insufficient water supply)**  
Select PAUSE/CANCEL twice to cancel the cycle. Unplug washer or disconnect power.  
**Check the following:**  
Are faucets completely turned on?  
Are screens at inlet hose connection to washer clogged?  
Are water inlet hoses kinked?  
Are water inlet hoses frozen?  
Plug in washer or reconnect power. Re-select cycle and press START. If the problem remains, call for service.
- **“F21” (Drain Problem)**  
Select PAUSE/CANCEL twice to cancel the cycle. Unplug washer or disconnect power.  
**Check the following:**  
Is the drain hose kinked?  
Is the drain hose frozen?  
Is the drain hose clogged?  
Is the drain hose more than 96" (2.4 m) above the floor?  
Plug in washer or reconnect power. Re-select cycle and press START. If the problem remains, call for service.
- **“SUD” (Suds Routine)**  
When excessive suds are detected, a suds routine automatically starts. This routine removes extra suds and assures proper rinsing of your garments. “SUD” is displayed during rinsing and at the end of the cycle to inform you that Suds Routine was activated. Use only HE (High Efficiency) detergents.
- **“F22” (Front door lock)**  
Select PAUSE/CANCEL twice to cancel the cycle.  
**Check the following:**  
Is the washer door firmly shut?  
The door must be completely closed for the washer to operate. The door may look closed, but may not be latched. Open the door and close firmly.  
Were you washing a large load?  
Before you close the washer door, check for laundry items sticking out beyond the door opening. Leave enough space in the washer to allow the clothes to tumble freely. An overloaded basket may keep the door from shutting completely. Reduce your load size if needed.  
Press POWER and select START.
- **“F” codes other than F20, F21 or F22**  
Select PAUSE/CANCEL twice to cancel the cycle. Select DRAIN/SPIN if there is excessive water in the washer.  
Re-select cycle and press START. If the problem remains, call for service.

## Washer won't start

### **⚠ WARNING**



#### **Electrical Shock Hazard**

- Plug into a grounded 3 prong outlet.**
- Do not remove ground prong.**
- Do not use an adapter.**
- Do not use an extension cord.**
- Failure to follow these instructions can result in death, fire, or electrical shock.**

- **Check the following:**  
Is the power cord plugged into a grounded 3 prong outlet?  
Is the washer door firmly closed?  
Has a cycle been selected, but START has not been selected and held for 1 second?  
Was the door open after completion of last cycle?

## Washer won't fill, wash or rinse

- **Check the following:**  
Is the power cord plugged into a grounded 3 prong outlet?  
Is there power at the plug? Check electrical source or call an electrician.  
Are the hot and cold water faucets turned on?  
Is the water inlet hose kinked?  
Are the water inlet valve screens clogged?  
Turn off the water and remove inlet hoses from the washer. Remove any accumulated film or particles. Reinstall hoses, turn water on and check for leaks.

## Washer stops

- **Check the following:**  
Is the power cord plugged into a grounded 3 prong outlet?  
Is there power at the plug?  
Check electrical source or call an electrician.  
Has a household fuse blown, or has a circuit breaker tripped?  
Replace the fuse or reset the circuit breaker. If the problem continues, call an electrician.  
Are you using an extension cord?  
Do not use an extension cord.

---

## Washer won't drain or spin

---

- **Is the drain hose clogged, or the end of the drain hose more than 96" (2.4 m) above the floor?**
- **Is your voltage low?**  
Check electrical source or call electrician. Do not use an extension cord.
- **Is the "SUD" routine active?**  
Cycle will complete once extra suds are removed.
- **Is the load balanced?**  
A single or bulky item may cause imbalance. Add more items or redistribute the load.

---

## Washer makes noise or vibrates

---

- **Is the washer level?**  
The washer must be level. The four feet should be properly installed, and the nuts should be tightened against the washer cabinet.
- **Is the washer gurgling or humming?**  
As water is drained from the washer, you may hear air being pulled through the pump. This happens during the end of draining. It is normal.
- **Are you washing items with metal snaps, buckles or zippers?**  
You may hear metal items touching the washer drum. This is normal.
- **Is washer installed on a sturdy and solid floor?**  
Refer to the "Installation Instructions" for flooring requirements. Noise and vibration may be reduced by placing a piece of ¾" (19.1 mm) plywood underneath your washer. The plywood may extend underneath both washer and dryer to keep them at equal heights.

---

## Washer leaks

---

- **Check household plumbing for leaks.**

---

## Dispensers clogged or leaking

---

- **Are the laundry products in the correct dispenser compartment?**  
Add the correct amounts of detergent, fabric softener or liquid chlorine bleach to the correct compartments. Add powdered or liquid color-safe bleach to the high efficiency "HE" detergent compartment. Be sure to match powdered color-safe bleach with powdered detergent or match liquid color-safe bleach with liquid detergent.
- **Is the detergent type selector in the correct position?**  
Selector should be in the lowered position when using liquid detergent and in the upper position when using powdered detergent.

---

## Washer odor

---

- **See "Cleaning Your Washer."**
- **Are you using AFFRESH™ washer cleaner on a regular basis?**  
AFFRESH™ washer cleaner removes and avoids odor-causing residue in all High Efficiency washers. For washers where odor is present, use 3 tablets instead of 1 tablet. After the CLEAN WASHER cycle is complete, wipe away residue if necessary.
- **Are you using HE detergent?**  
Use of non-HE detergent can cause a film residue which can result in odor.
- **Did you leave the door open after use?**  
This washer has a tight seal to avoid water leaks. To avoid odors, leave the door open to allow the washer to dry between uses.

---

## Load too wet

---

- **Did you use the right cycle for the load being washed?**  
Select a cycle with a higher spin speed.
- **Did you wash a single item or bulky items or have you overloaded the washer?**  
A single item, bulky items, or overloading may cause imbalance. Add items or try to evenly distribute your wet laundry in the drum, and start a DRAIN/SPIN cycle. If the laundry is still wet, take half of the load out of the washer and try again.

---

## Residue or lint on load

---

- **Did you add detergent to the dispenser?**  
For best results, add detergent to the detergent compartment. Do not add detergent to the washer drum.
- **Did you sort properly?**  
Sort lint givers (towels, chenille) from lint takers (corduroy, synthetics). Also sort by color.
- **Did you overload the washer?**  
Do not overload the washer. The washer can be fully loaded, but not tightly packed. The wash load must be balanced. Lint can be trapped in the load if the washer is overloaded.
- **Check the following:**  
Was paper or tissue left in pockets?
- **Did you use enough HE detergent?**  
Use enough detergent to remove lint and hold it in suspension. Use only HE detergent. Follow the manufacturer's instructions to determine the amount of detergent to use.
- **Is your water colder than 60°F (15.6°C)?**  
Wash water colder than 60°F (15.6°C) may not completely dissolve the detergent.
- **Are you using a low-speed wash cycle?**  
Powdered detergents may not dissolve well in a slow-speed cycle. For best results, use liquid detergent for slow-speed cycles such as Delicate, and Hand Washables.

---

## Stains on load

---

- **Did you add detergent to the dispenser?**  
For best results, add detergent to the detergent compartment. Do not add detergent to the washer drum.
- **Did you use enough HE detergent?**  
Use enough detergent to remove soil and hold it in suspension. Use only HE detergent. Follow the manufacturer's instructions to determine the amount of detergent to use.
- **Is there above average iron (rust) in water?**  
You may need to install an iron filter.
- **Did you properly sort the load?**  
Sort dark clothes from whites and lights.
- **Did you unload the washer promptly?**  
To avoid the transfer of dye, unload the washer as soon as it stops.
- **Did you use a fabric softener dispensing ball?**  
Dispensing balls will not operate correctly with this washer. Add liquid fabric softener to the fabric softener compartment.
- **Did you use powdered detergent in a low-speed cycle?**  
Consider using liquid detergent.

---

## Load is wrinkled

---

- **Did you unload the washer promptly?**  
Unload the washer as soon as it stops.
- **Did you use the right cycle for the load being washed?**  
Use the Delicate, Hand Washables or another cycle with a low-spin speed to reduce wrinkling.
- **Did you overload the washer?**  
The wash load must be balanced and not overloaded. Loads should tumble freely during washing.

---

## Gray whites, dingy colors

---

- **Did you properly sort the load?**  
The transfer of dye can occur when mixing whites and colors in a load. Sort dark clothes from whites and lights.
- **Was the wash temperature too low?**  
Use hot or warm washes if safe for the load. Make sure your hot water system is adequate to provide a hot water wash.
- **Did you use enough detergent, or do you have hard water?**  
Use more detergent for washing heavy soils in cold or hard water.

---

## Cycle too long

---

- **Did you choose the Deep Clean with Steam option?**  
In this case, the heater and steamer will be activated to provide maximum cleaning performance. Additional time will be added to the regular cycle to heat the water. This additional time will depend on the load size and the hot water inlet temperature.
- **Is the hot water inlet set to the recommended temperature of 120°F (49°C)?**  
A hot water temperature below the recommended setting will increase heating time.
- **Is "SUD" shown in the display?**  
Excessive sudsing has been detected and a suds routine has been started to reduce excessive suds. This routine will add time to the original cycle.
- **Did the load cause imbalance?**  
When too much imbalance occurs, an imbalance routine will start to redistribute the load. During the imbalance routine, the time displayed may pause until this activity is complete, then resume with the remainder of the cycle.
- **Did you wash a large load using a gentle cycle?**  
When using the Delicate or Hand Washables, cycles you should wash small loads. This ensures a gentle wash for your garments without increasing cycle times.

---

## Door locked at end of wash cycle

---

- **Did all of the water drain out of the washer during the spin?**  
Select DRAIN/SPIN to remove any water remaining in the washer. The washer door will unlock at the end of the drain.

---

# ASSISTANCE OR SERVICE

---

Before calling for assistance or service, please check "Troubleshooting." It may save you the cost of a service call. If you still need help, follow the instructions below.

When calling, please know the purchase date and the complete model and serial number of your appliance. This information will help us to better respond to your request.

## If you need replacement parts

If you need to order replacement parts, we recommend that you only use FSP® factory specified parts. These parts will fit right and work right because they are made with the same precision used to build every new WHIRLPOOL® appliance.

### To locate FSP® replacement parts in your area:

In the U.S.A., call the Customer eXperience Center at **1-800-253-1301**, or your nearest designated service center.

In Canada, call **1-800-807-6777**, or your nearest designated service center.

---

## In the U.S.A.

Call the Whirlpool Customer eXperience Center toll free: **1-800-253-1301**.

### Our consultants provide assistance with:

- Features and specifications on our full line of appliances
- Installation information
- Use and maintenance procedures
- Accessory and repair parts sales
- Specialized customer assistance (Spanish speaking, hearing impaired, limited vision, etc.)
- Referrals to local dealers, repair parts distributors, and service companies

Whirlpool designated service technicians are trained to fulfill the product warranty and provide after-warranty service anywhere in the United States.

To locate the Whirlpool designated service company in your area, you can also look in your telephone directory Yellow Pages.

### For further assistance

If you need further assistance, you can write to Whirlpool Corporation with any questions or concerns at:

Whirlpool Brand Home Appliances  
Customer eXperience Center  
553 Benson Road  
Benton Harbor, MI 49022-2692

Please include a daytime phone number in your correspondence.

---

## In Canada

Call the Whirlpool Canada LP Customer Interaction Centre toll free: **1-800-807-6777**.

### Our consultants provide assistance with:

- Use and maintenance procedures
- Accessory and repair parts sales
- Features and specifications on our full line of appliances
- Referrals to local dealers, repair parts distributors, and service companies. Whirlpool Canada LP designated service technicians are trained to fulfill the product warranty and provide after-warranty service anywhere in Canada.

### For further assistance

If you need further assistance, you can write to Whirlpool Canada LP with any questions or concerns at:

Customer Interaction Centre  
Whirlpool Canada LP  
1901 Minnesota Court  
Mississauga, Ontario L5N 3A7

Please include a daytime phone number in your correspondence.

---

## Accessories

Enhance your washer with these premium accessories.

For more high-quality items or to order, call **1-800-901-2042**, or visit us at [www.whirlpool.com/accessories](http://www.whirlpool.com/accessories). In Canada, call **1-800-807-6777** or visit us at [www.whirlpoolparts.ca](http://www.whirlpoolparts.ca).

---

Part Number	Accessory
<b>8212638RP</b>	6 ft (1.8 m) nylon braided space-saving fill hose, 90° elbow, hypro-blue steel couplings. Safer than stainless steel. (2-pack)
<b>8212487RP</b>	5 ft (1.5 m) nylon braided fill hose. Safer than stainless steel. (2-pack)
<b>8212526</b>	Washer drip tray, fits under all
<b>31682</b>	All purpose appliance cleaner
<b>1903WH</b>	Laundry supply storage cart
<b>W10135699</b>	AFFRESH™ Washer Cleaner
<b>8541503</b>	DUET® stack kit

---



---

# WHIRLPOOL CORPORATION MAJOR APPLIANCE WARRANTY

---

## LIMITED WARRANTY

For one year from the date of purchase, when this major appliance is operated and maintained according to instructions attached to or furnished with the product, Whirlpool Corporation or Whirlpool Canada LP (hereafter "Whirlpool") will pay for Factory Specified Parts and repair labor to correct defects in materials or workmanship. Service must be provided by a Whirlpool designated service company. This limited warranty is valid only in the United States or Canada and applies only when the major appliance is used in the country in which it was purchased. Outside the 50 United States and Canada, this limited warranty does not apply. Proof of original purchase date is required to obtain service under this limited warranty.

---

## ITEMS EXCLUDED FROM WARRANTY

### This limited warranty does not cover:

1. Service calls to correct the installation of your major appliance, to instruct you on how to use your major appliance, to replace or repair house fuses, or to correct house wiring or plumbing.
2. Service calls to repair or replace appliance light bulbs, air filters or water filters. Consumable parts are excluded from warranty coverage.
3. Repairs when your major appliance is used for other than normal, single-family household use or when it is used in a manner that is contrary to published user or operator instructions and/or installation instructions.
4. Damage resulting from accident, alteration, misuse, abuse, fire, flood, acts of God, improper installation, installation not in accordance with electrical or plumbing codes, or use of consumables or cleaning products not approved by Whirlpool.
5. Cosmetic damage, including scratches, dents, chips or other damage to the finish of your major appliance, unless such damage results from defects in materials or workmanship and is reported to Whirlpool within 30 days from the date of purchase.
6. Any food loss due to refrigerator or freezer product failures.
7. Costs associated with the removal from your home of your major appliance for repairs. This major appliance is designed to be repaired in the home and only in-home service is covered by this warranty.
8. Repairs to parts or systems resulting from unauthorized modifications made to the appliance.
9. Expenses for travel and transportation for product service if your major appliance is located in a remote area where service by an authorized Whirlpool servicer is not available.
10. The removal and reinstallation of your major appliance if it is installed in an inaccessible location or is not installed in accordance with published installation instructions.
11. Major appliances with original model/serial numbers that have been removed, altered or cannot be easily determined. This warranty is void if the factory applied serial number has been altered or removed from your major appliance.

The cost of repair or replacement under these excluded circumstances shall be borne by the customer.

---

## DISCLAIMER OF IMPLIED WARRANTIES; LIMITATION OF REMEDIES

CUSTOMER'S SOLE AND EXCLUSIVE REMEDY UNDER THIS LIMITED WARRANTY SHALL BE PRODUCT REPAIR AS PROVIDED HEREIN. IMPLIED WARRANTIES, INCLUDING WARRANTIES OF MERCHANTABILITY OR FITNESS FOR A PARTICULAR PURPOSE, ARE LIMITED TO ONE YEAR OR THE SHORTEST PERIOD ALLOWED BY LAW. WHIRLPOOL SHALL NOT BE LIABLE FOR INCIDENTAL OR CONSEQUENTIAL DAMAGES. SOME STATES AND PROVINCES DO NOT ALLOW THE EXCLUSION OR LIMITATION OF INCIDENTAL OR CONSEQUENTIAL DAMAGES, OR LIMITATIONS ON THE DURATION OF IMPLIED WARRANTIES OF MERCHANTABILITY OR FITNESS, SO THESE EXCLUSIONS OR LIMITATIONS MAY NOT APPLY TO YOU. THIS WARRANTY GIVES YOU SPECIFIC LEGAL RIGHTS, AND YOU MAY ALSO HAVE OTHER RIGHTS WHICH VARY FROM STATE TO STATE OR PROVINCE TO PROVINCE.

---

If outside the 50 United States and Canada, contact your authorized Whirlpool dealer to determine if another warranty applies.

If you need service, first see the "Troubleshooting" section of the Use & Care Guide. After checking "Troubleshooting," you may find additional help by checking the "Assistance or Service" section or by calling Whirlpool. In the U.S.A., call **1-800-253-1301**. In Canada, call **1-800-807-6777**.

9/07

**Keep this book and your sales slip together for future reference. You must provide proof of purchase or installation date for in-warranty service.**

Write down the following information about your major appliance to better help you obtain assistance or service if you ever need it. You will need to know your complete model number and serial number. You can find this information on the model and serial number label located on the product.

Dealer name \_\_\_\_\_

Address \_\_\_\_\_

Phone number \_\_\_\_\_

Model number \_\_\_\_\_

Serial number \_\_\_\_\_

Purchase date \_\_\_\_\_

# SÉCURITÉ DE LA LAVEUSE

## Votre sécurité et celle des autres est très importante.

Nous donnons de nombreux messages de sécurité importants dans ce manuel et sur votre appareil ménager. Assurez-vous de toujours lire tous les messages de sécurité et de vous y conformer.



Voici le symbole d'alerte de sécurité.

Ce symbole d'alerte de sécurité vous signale les dangers potentiels de décès et de blessures graves à vous et à d'autres.

Tous les messages de sécurité suivront le symbole d'alerte de sécurité et le mot "DANGER" ou "AVERTISSEMENT". Ces mots signifient :

**▲ DANGER**

**Risque possible de décès ou de blessure grave si vous ne suivez pas immédiatement les instructions.**

**▲ AVERTISSEMENT**

**Risque possible de décès ou de blessure grave si vous ne suivez pas les instructions.**

Tous les messages de sécurité vous diront quel est le danger potentiel et vous disent comment réduire le risque de blessure et ce qui peut se produire en cas de non-respect des instructions.

## IMPORTANTES INSTRUCTIONS DE SÉCURITÉ

**AVERTISSEMENT :** Pour réduire les risques d'incendie, de choc électrique ou de blessures lors de l'utilisation de la laveuse, suivre les précautions fondamentales dont les suivantes :

- Lire toutes les instructions avant d'utiliser la laveuse.
- Ne pas laver des articles qui ont été nettoyés ou lavés avec de l'essence ou imbibés d'essence, solvants de nettoyage à sec, ou autres substances inflammables ou explosives; ces substances peuvent émettre des vapeurs susceptibles de s'enflammer ou d'exploser.
- Ne pas ajouter d'essence, solvant de nettoyage à sec ou autre produit inflammable ou explosif dans l'eau de lavage. Ces substances peuvent émettre des vapeurs susceptibles de s'enflammer ou d'exploser.
- Dans certaines conditions, de l'hydrogène gazeux peut se former dans un circuit d'eau chaude qui n'a pas été utilisé pendant 2 semaines ou plus. **LE GAZ HYDROGÈNE EST EXPLOSIBLE.** Si le circuit d'eau chaude n'a pas été utilisé pendant une telle période, avant d'utiliser la laveuse, ouvrir tous les robinets d'eau chaude et laisser l'eau s'écouler pendant plusieurs minutes par chaque robinet. Ceci permettra l'évacuation de l'hydrogène gazeux accumulé. Comme ce gaz est inflammable, ne pas fumer ou utiliser une flamme nue au cours de cette période.
- Ne pas laisser des enfants jouer sur ou à l'intérieur de la laveuse. Bien surveiller les enfants lorsque la laveuse est utilisée à proximité d'enfants.
- Avant de mettre la laveuse au rebut ou hors de service, enlever la porte ou le couvercle.
- Ne pas tenter d'atteindre un article à l'intérieur de la cuve de la laveuse lorsque le tambour, la cuve ou l'agitateur est en mouvement.
- Ne pas installer ou remiser cette laveuse à un endroit où elle serait exposée aux intempéries.
- Ne pas modifier les organes de commande.
- Ne pas réparer ou remplacer un composant quelconque de la laveuse, ni entreprendre une opération de service, si ce n'est spécifiquement recommandé dans ce manuel ou dans un manuel d'instructions de réparations destiné à l'utilisateur; il est alors essentiel que la personne concernée comprenne ces instructions et soit compétente pour les exécuter.
- Voir "Spécifications électriques" pour les instructions de liaison à la terre.

**CONSERVEZ CES INSTRUCTIONS**

# EXIGENCES D'INSTALLATION

## Outillage et pièces

Rassembler les outils et pièces nécessaires avant de commencer l'installation. Les pièces fournies se trouvent dans le tambour de la laveuse.

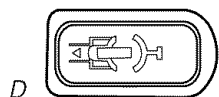
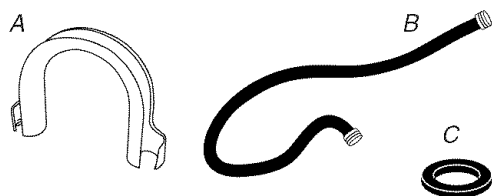
### Outils nécessaires au raccordement des tuyaux d'arrivée d'eau

- Pince (ouverture jusqu'à 1 $\frac{1}{4}$ " [39,5 mm])
- Lampe de poche (facultative)

### Outils nécessaires à l'installation

- Clés plates de 17 mm et de 13 mm
- Niveau
- Cale en bois
- Règle ou mètre ruban

### Pièces fournies :



A. Bride de retenue pour tuyau de vidange

B. Tuyau d'alimentation (2)

C. Rondelle pour tuyau d'alimentation (4)

D. Bouchon pour les trous des boulons de transport (4)

E. Courroie perlée

### Autres pièces

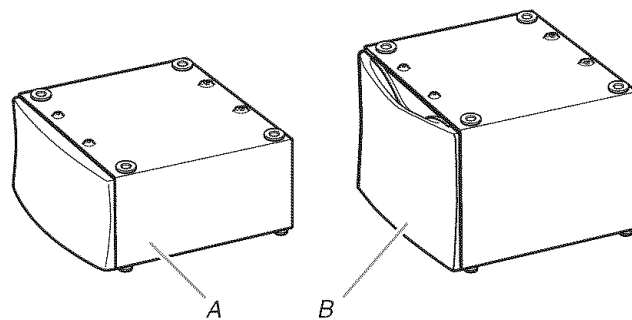
Il se peut que l'installation nécessite des pièces supplémentaires. Pour acheter l'un des articles indiqués ici, composer le numéro sans frais indiqué sur la couverture ou à la section "Assistance ou service".

Si vous avez	Vous devrez acheter
Évier de buanderie ou tuyau de rejet à l'égout plus haut que 96" (2,4 m)	Système de pompe de puisard (si non déjà disponible)
Égout surélevé	Évier de vidange standard de 20 gal. (76 L) de 30" (76,2 cm) de hauteur ou évier utilitaire et pompe de puisard (disponibles chez votre fournisseur local d'articles de plomberie)
Égout au plancher	Brise-siphon, Pièce numéro 285834, tuyau de vidange supplémentaire, Pièce numéro 8318155 et kit de connexion, Pièce numéro 285835
Tuyau de vidange trop court	Trousse de rallonge du tuyau de vidange de 4 pi (1,2 m), Pièce numéro 285863
Robinets d'eau hors d'atteinte des tuyaux d'admission	2 tuyaux d'admission d'eau plus longs : 6 pi (1,8 m) Pièce Numéro 76314, 10 pi (3 m) Pièce Numéro 350008

## Options

### Piédestal

Vous pouvez acheter séparément des piédestaux de différentes tailles pour cette laveuse. Vous pouvez choisir un piédestal de 10" (25,4 cm) ou un piédestal de 15,5" (39,4 cm). Ces piédestaux augmenteront la hauteur totale de la laveuse pour une hauteur totale d'environ 48" (121,9 cm) ou 53,5" (135,9 cm), respectivement.



A. Piédestal de 10" (25,4 cm)

B. Piédestal de 15,5" (39,4 cm)

Pour commander, téléphoner au marchand chez qui la laveuse a été achetée ou se référer à la section "Assistance ou service".

Hauteur de piédestal	Couleur	Numéro de pièce
10" (25,4 cm)	Blanc	WHP1000SQ
15,5" (39,4 cm)	Blanc	WHP1500SQ
15,5" (39,4 cm)	Châtaigne de Toscane	WHP1500SC

### Ensemble de superposition

Prévoyez-vous de superposer votre laveuse et votre sècheuse? Pour ce faire, vous devrez acheter un ensemble de superposition. Pour commander, téléphoner au marchand chez qui la sècheuse a été achetée ou consulter la section "Assistance ou service". Demander la pièce n° 8541503.

## Exigences d'emplacement

Le choix d'un emplacement approprié pour la laveuse en améliore le rendement et réduit au minimum le bruit et le "déplacement" de la laveuse.

La laveuse peut être installée sous un comptoir personnalisé, dans un sous-sol, une salle de buanderie, un placard ou un encastrement. Voir "Système de vidange".

Il faut aussi prendre en compte les exigences d'emplacement des appareils voisins. C'est à l'utilisateur qu'incombe la responsabilité de réaliser une installation correcte.

### Il vous faudra

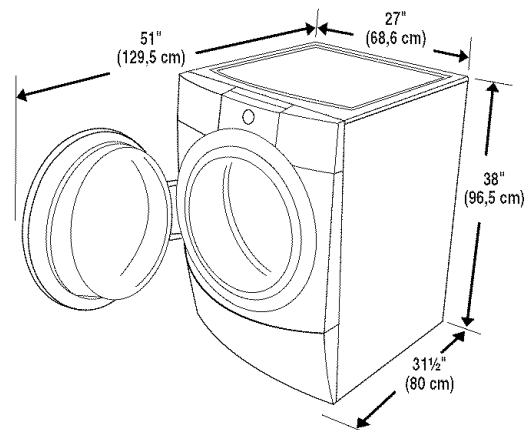
- Un chauffe-eau configuré pour fournir de l'eau à 120°F (49°C) à la laveuse.
- Une prise électrique reliée à la terre située à moins de 6 pi (1,8 m) de la prise du cordon électrique se trouvant à l'arrière de la laveuse. Voir "Spécifications électriques".
- Des robinets d'eau chaude et d'eau froide situés à moins de 4 pi (1,2 m) des robinets d'admission d'eau chaude et d'eau froide, et une pression d'eau de 20 à 100 lb/po<sup>2</sup> (137,9 à 689,6 kPa).
- Si vous habitez dans une région où l'eau est dure, il est recommandé d'utiliser un adoucisseur d'eau afin de contrôler les accumulations de calcaire dans le générateur de vapeur et d'autres parties de la laveuse. Après un certain temps, les accumulations de calcaire peuvent obstruer le générateur de vapeur, ce qui réduira son efficacité et son rendement. Des accumulations excessives de calcaire peuvent engendrer la nécessité de remplacer ou de réparer le générateur de vapeur.
- Un plancher de niveau ayant une pente maximale de 1" (2,5 cm) sous l'ensemble de la laveuse. L'installation de la laveuse sur des surfaces de sol molles, telles que tapis ou surfaces avec sous-couche en mousse, n'est pas recommandée.
- Un plancher robuste et solide capable de soutenir le poids total de la laveuse (eau et charge) de 400 lb (180 kg).

Ne pas faire fonctionner la laveuse à des températures inférieures à 32°F (0°C). Une quantité d'eau peut demeurer dans la laveuse et causer des dommages à des températures basses.

### Dégagements de séparation à respecter

- L'emplacement doit être assez grand pour permettre d'ouvrir complètement la porte de la laveuse.
- Prévoir davantage d'espace pour faciliter l'installation et l'entretien.
- Un espace supplémentaire peut être requis pour les moulures de porte et de plancher et pour les plinthes.
- Un espace supplémentaire de 1" (2,5 cm) de tous les côtés de la laveuse est recommandé pour réduire le transfert du bruit.
- Il faut aussi prendre en compte l'espace requis entre les appareils voisins.

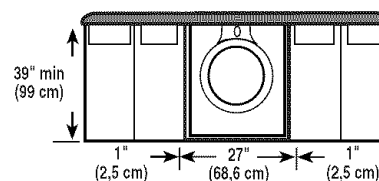
### Dimensions de la laveuse



### Espacement recommandé pour une installation personnalisée sous un comptoir

Les dimensions indiquées correspondent à l'espace recommandé.

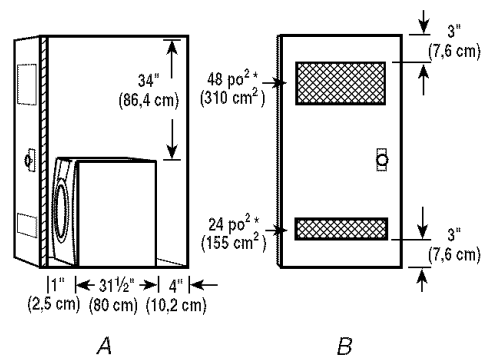
### Installation personnalisée sous un comptoir - laveuse seulement



### Espacement recommandé pour une installation dans un encastrement ou dans un placard, avec ou sans piédestal

Les dimensions indiquées correspondent à l'espace recommandé.

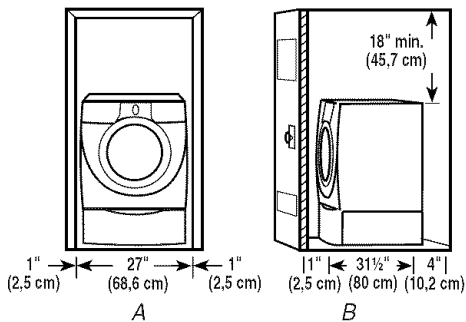
### Installation dans un encastrement ou placard



A. Vue latérale - placard ou endroit exigu  
B. Porte de placard avec orifices d'entrée d'air

\*Ouvertures minimums en haut et en bas pour la porte du placard.

## Installation dans un encastrement ou placard - laveuse sur piédestal

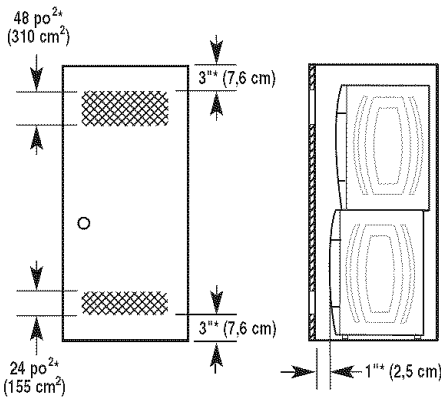


A. Encastrement

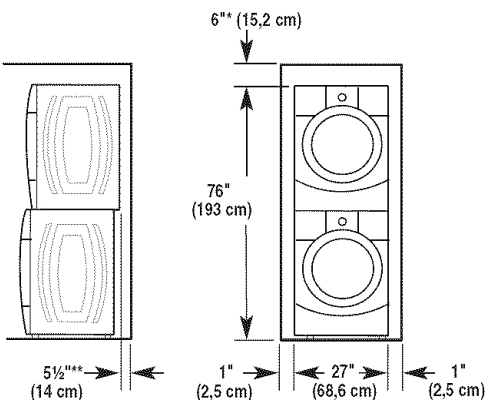
B. Vue latérale - placard ou endroit exigu

## Espacement recommandé pour une installation dans un encastrement ou dans un placard, avec laveuse et sècheuse superposées

Les dimensions indiquées correspondent à l'espacement recommandé.



\*Espacement requis

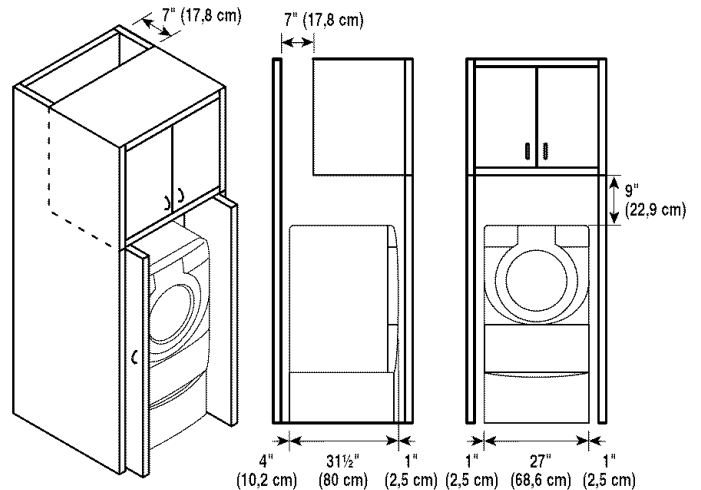


\*Espacement requis

\*\*En cas d'évacuation par le côté, un espacement de 1" (2,5 cm) est permis.

## Espacement recommandé pour l'installation dans un placard

- Les dimensions indiquées correspondent à l'espacement recommandé.
- Pour installation dans un placard avec porte, on doit prévoir des ouvertures minimums d'entrée d'air au sommet du placard.



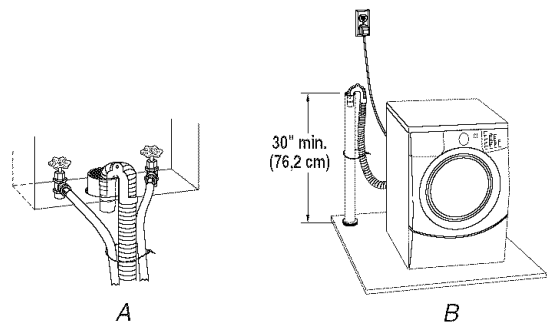
## Système de vidange

La laveuse peut être installée en utilisant le système de vidange avec tuyau de rejet à l'égoût (au plancher ou mural), le système de vidange de l'évier de buanderie, ou le système de vidange au plancher. Sélectionner la méthode d'installation du tuyau de vidange selon les besoins. Voir "Outillage et pièces".

### Système de vidange avec tuyau de rejet à l'égoût - mural ou au plancher (vues A et B)

Le système de rejet à l'égoût nécessite un tuyau de diamètre minimum de 2" (5 cm). La capacité minimale d'acheminement ne doit pas être inférieure à 17 gal. (64 L) par minute.

Le sommet du tuyau de rejet à l'égoût doit être au moins à 30" (76,2 cm) de hauteur et au maximum à 96" (2,4 m) de la base de la laveuse.



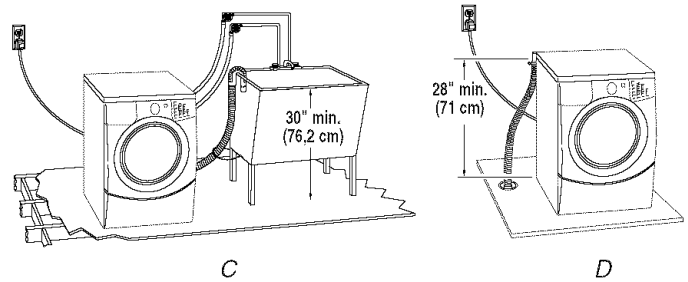
### Système de vidange avec évier de buanderie (vue C)

L'évier de buanderie doit avoir une capacité minimale de 20 gal. (76 L). La partie supérieure de l'évier de buanderie doit être à au moins 30" (76,2 cm) au-dessus du plancher.

### Système de vidange au plancher (vue D)

Le système de vidange au plancher nécessite un brise-siphon qui peut être acheté séparément. Voir "Outillage et pièces".

Le brise-siphon doit être au moins à 28" (71 cm) de la base de la laveuse. Des tuyaux supplémentaires peuvent être requis.



## Spécifications électriques

### ⚠ AVERTISSEMENT



#### Risque de choc électrique

Brancher sur une prise à 3 alvéoles reliée à la terre.

Ne pas enlever la broche de liaison à la terre.

Ne pas utiliser un adaptateur.

Ne pas utiliser un câble de rallonge.

Le non-respect de ces instructions peut causer un décès, un incendie ou un choc électrique.

- Une alimentation de 120 volts, 60 Hz, CA seulement, de 15 ou 20 ampères, protégée par un fusible est requise. On recommande d'utiliser un fusible ou un disjoncteur temporisé. Il est recommandé de raccorder l'appareil sur un circuit distinct exclusif à cet appareil.
- Cette laveuse comporte un cordon d'alimentation électrique à 3 broches pour liaison à la terre.
- Pour minimiser les risques de choc électrique, on doit brancher le cordon sur une prise de courant de configuration correspondante, à 3 alvéoles, reliée à la terre et installée conformément aux codes et règlements locaux. Si une prise de courant de configuration correspondante n'est pas disponible, le client a la responsabilité et l'obligation de faire installer par un électricien qualifié une prise de courant correctement reliée à la terre.
- Si les codes le permettent et si on utilise un conducteur distinct de liaison à la terre, il est recommandé qu'un électricien qualifié vérifie la qualité de la liaison à la terre.

- Ne pas utiliser une tuyauterie de gaz pour le raccordement à la terre.
- En cas de doute quant à la qualité de la liaison à la terre de la laveuse, consulter un électricien qualifié.
- Ne pas installer un fusible dans le conducteur neutre ou le conducteur de liaison à la terre.

### INSTRUCTIONS DE LIAISON À LA TERRE

#### Pour une laveuse reliée à la terre et connectée par un cordon :

Cette laveuse doit être reliée à la terre. En cas d'anomalie de fonctionnement ou de panne, la liaison à la terre réduira le risque de choc électrique en offrant au courant électrique un itinéraire d'évacuation de moindre résistance. Cette laveuse est alimentée par un cordon électrique comportant un conducteur relié à la terre et une fiche de branchement munie d'une broche de liaison à la terre. La fiche doit être branchée sur une prise de courant appropriée qui est bien installée et reliée à la terre conformément à tous les codes et règlements locaux.

**AVERTISSEMENT :** Le raccordement incorrect de cet appareil au conducteur de liaison à la terre peut susciter un risque de choc électrique. En cas de doute quant à la qualité de la liaison à la terre de l'appareil, consulter un électricien ou technicien d'entretien qualifié.

Ne pas modifier la fiche de branchement fournie avec l'appareil – si la fiche ne correspond pas à la configuration de la prise de courant, demander à un électricien qualifié d'installer une prise de courant convenable.

#### Pour une laveuse raccordée en permanence :

Cette laveuse doit être raccordée à un système de câblage permanent en métal relié à la terre ou un conducteur relié à la terre doit être en fonction avec les conducteurs de circuit et raccordés à la borne de liaison à la terre ou la borne sur l'appareil ménager.

# INSTRUCTIONS D'INSTALLATION

## Élimination des accessoires de transport

### **AVERTISSEMENT**

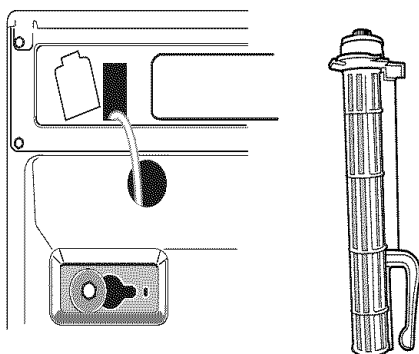
#### Risque du poids excessif

Utiliser deux ou plus de personnes pour déplacer et installer la laveuse.

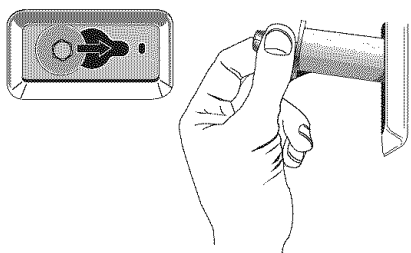
Le non-respect de cette instruction peut causer une blessure au dos ou d'autre blessure.

**IMPORTANT :** Positionner la laveuse de sorte que l'arrière de l'appareil soit à environ 3 pi (90 cm) de son emplacement final.

Sur le panneau arrière de la laveuse, 4 boulons supportent le système de suspension durant le transport. Ces boulons retiennent aussi le cordon d'alimentation à l'intérieur de la laveuse jusqu'à ce qu'on les retire.



1. Au moyen d'une clé de 13 mm, desserrer chaque boulon.
2. Une fois le boulon desserré, le déplacer au centre du trou et le retirer complètement, y compris la cale d'espacement en plastique couvrant le boulon.

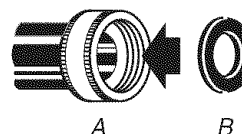


3. Une fois que les 4 boulons ont été retirés, jeter les boulons et les cales d'espacement. Puis tirer le cordon d'alimentation à travers l'ouverture du panneau arrière et obturer le trou avec le bouchon fourni.
4. Obturer les trous des boulons avec les 4 bouchons pour les trous des boulons de transport.

**REMARQUE :** Si la laveuse doit être transportée à une date ultérieure, appeler le centre de service local. Pour éviter d'endommager la suspension et la structure de la laveuse, celle-ci doit être correctement réinstallée par un technicien certifié.

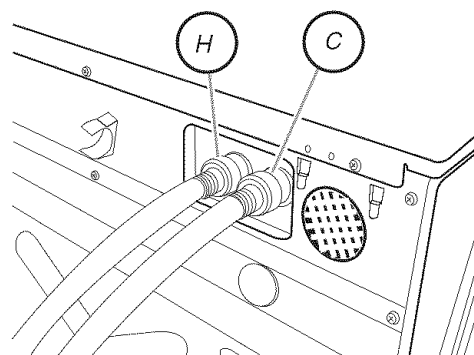
## Raccordement des tuyaux d'alimentation

1. Insérer les rondelles plates neuves (fournies) dans chaque extrémité des tuyaux d'arrivée d'eau. Insérer fermement les rondelles dans les raccords.



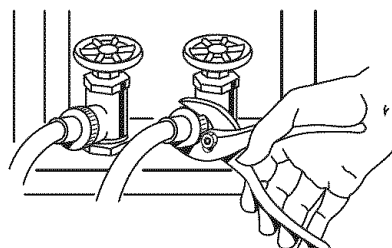
A. Raccord  
B. Rondelle

2. S'assurer que le tambour de la laveuse est vide.
3. Raccorder le tuyau à indicateur rouge à la valve du tuyau d'alimentation d'eau chaude (à gauche). Le fait d'attacher d'abord le tuyau à raccord rouge permet de resserrer plus facilement la connexion avec une pince. Visser complètement le raccord à la main pour qu'il comprime la rondelle.
4. Raccorder le tuyau à indicateur bleu à la valve du tuyau d'alimentation d'eau froide (à droite). Visser complètement le raccord à la main pour qu'il comprime la rondelle.



H. Tuyau d'eau chaude  
C. Tuyau d'eau froide

5. À l'aide d'une pince, vérifier l'étanchéité des raccords de tuyaux déjà reliés à la laveuse.  
**REMARQUE :** Ne pas serrer excessivement. Le raccord risque d'être endommagé.
6. Raccorder le tuyau d'eau chaude au robinet d'eau chaude. Visser complètement le raccord à la main pour qu'il comprime la rondelle.
7. Raccorder le tuyau d'eau froide au robinet d'eau froide. Visser complètement le raccord à la main pour qu'il comprime la rondelle.
8. Terminer le serrage des raccords - deux tiers de tour avec une pince.



**REMARQUE :** Ne pas serrer excessivement. Le raccord risque d'être endommagé.

9. Ouvrir les robinets d'eau et vérifier s'il y a des fuites.

**REMARQUE :** Remplacer les tuyaux d'arrivée d'eau après 5 ans d'utilisation pour réduire le risque de défaillance intempestive. Prendre note de la date d'installation ou de remplacement des tuyaux d'arrivée d'eau, pour référence ultérieure.

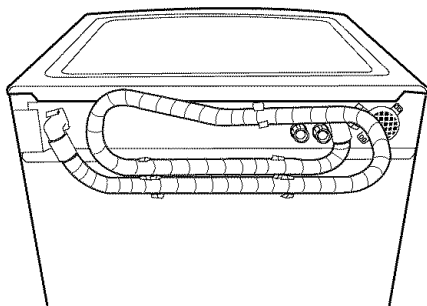
Inspecter périodiquement les tuyaux; les remplacer en cas de renflement, de déformation, de coupure, d'usure ou si une fuite se manifeste.

### Acheminement du tuyau de vidange

Le bon acheminement du tuyau de vidange protège vos planchers contre les dommages liés à une fuite d'eau. Lire et suivre ces instructions.

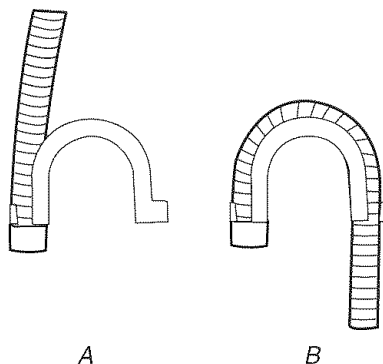
#### Libération du tuyau de vidange fixé sur la caisse de la laveuse

Tirer doucement pour dégager le tuyau d'évacuation (matériau ondulé) des agrafes d'arrimage.



#### Décharge de l'eau de lavage dans un évier de buanderie ou tuyau de rejet à l'égout

Connecter la bride de retenue pour tuyau de vidange sur le tuyau de vidange ondulé.



A. Emboîter une extrémité ou l'autre de la bride de retenue pour tuyau de vidange sur le tuyau de vidange, au point de commencement des ondulations.

B. Plier le tuyau de vidange pour le mettre au contact de la bride de retenue du tuyau de vidange, et l'emboîter pour la mise en place.

#### Pour empêcher l'eau de vidange de refluer dans la laveuse :

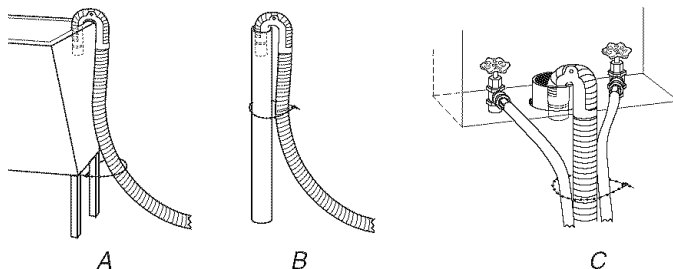
- Ne pas redresser le tuyau de vidange ni forcer l'excédent de tuyau dans le tuyau de rejet à l'égout. Le tuyau doit être bien immobilisé, tout en permettant le passage d'air.
- Ne pas mettre l'excédent du tuyau de vidange dans le fond de l'évier de buanderie.

#### Égout au plancher

Il vous faudra peut-être des pièces supplémentaires. Voir Égout au plancher dans "Outillage et pièces".

### Immobilisation du tuyau de vidange

1. Faire passer le cordon d'alimentation par-dessus la laveuse.
2. Fixer le tuyau de vidange au pied de l'évier de buanderie ou au tuyau rigide de rejet à l'égout avec la courroie perlée fournie. (Voir les illustrations A et B.)



Si les robinets d'eau et le tuyau rigide de rejet à l'égout sont placés en retrait (voir illustration C), introduire l'extrémité en col de cygne du tuyau de vidange dans le tuyau rigide de rejet à l'égout. Attacher fermement les tuyaux d'arrivée d'eau et le tuyau de vidange ensemble, avec la courroie perlée.

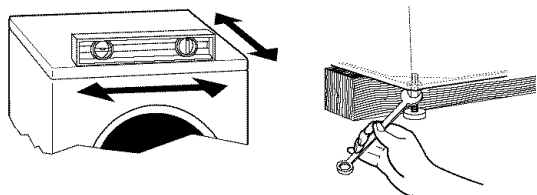
Ne pas forcer l'excédent du tuyau de vidange dans le tuyau rigide de rejet à l'égout.



## Réglage de l'aplomb de la laveuse

Un bon aplomb de la laveuse évite le bruit et les vibrations excessifs.

1. Utiliser un niveau placé sur le bord supérieur de la laveuse pour contrôler l'aplomb, d'abord transversalement, puis dans le sens avant arrière.



Si la laveuse est placée contre un mur, on doit l'écarter légèrement du mur avant de l'incliner vers l'arrière. Si la laveuse n'est pas d'aplomb, soulever l'avant de la laveuse avec une cale de bois et ajuster la position des pieds selon le besoin; soulever ensuite l'arrière de la laveuse et ajuster la longueur des pieds selon le besoin. Répéter ces opérations jusqu'à l'obtention d'un aplomb correct de la laveuse.

2. S'assurer que les quatre pieds de nivellement sont bien stables et en contact avec le sol. Puis vérifier que la laveuse est parfaitement d'aplomb (à l'aide d'un niveau).
3. Après avoir établi l'aplomb correct de la laveuse, utiliser une clé plate de 17 mm pour serrer l'écrou de chaque pied contre la caisse de la laveuse.

**IMPORTANT :** Les 4 pieds doivent être bien serrés. Si les écrous ne sont pas bloqués contre la caisse de la laveuse, la laveuse peut vibrer.

4. La laveuse ne doit pas bouger d'avant en arrière, latéralement ou transversalement lorsqu'on appuie sur les bords supérieurs.
5. Faire glisser la laveuse à son emplacement final.
6. Vérifier le bon aplomb de la laveuse.

## Achever l'installation

1. Consulter les spécifications électriques. Vérifier que la tension électrique disponible est correcte et que la prise de courant est convenablement reliée à la terre. Voir "Spécifications électriques".
2. Vérifier que toutes les pièces sont maintenant installées. S'il reste une pièce, passer en revue les différentes étapes pour découvrir laquelle aurait été oubliée.
3. Vérifier la présence de tous les outils.
4. Jeter/recycler tous les matériaux d'emballage.
5. Vérifier que les robinets d'eau sont ouverts.
6. Vérifier s'il y a des fuites autour des robinets et des tuyaux d'arrivée d'eau.

## ⚠ AVERTISSEMENT



### Risque de choc électrique

**Brancher sur une prise à 3 alvéoles reliée à la terre.**

**Ne pas enlever la broche de liaison à la terre.**

**Ne pas utiliser un adaptateur.**

**Ne pas utiliser un câble de rallonge.**

**Le non-respect de ces instructions peut causer un décès, un incendie ou un choc électrique.**

7. Brancher sur une prise à 3 alvéoles reliée à la terre.
8. Lire "Utilisation de la laveuse".
9. Pour tester et nettoyer la laveuse, mesurer la moitié de la quantité de détergent HE Haute efficacité recommandée par le fabricant pour une charge de taille moyenne. Verser le détergent dans le distributeur de détergent. Sélectionner NORMAL/CASUAL (normal/tout-aller), puis START (mise en marche). Laisser la machine exécuter le programme complet.



Utiliser uniquement un détergent HE Haute efficacité.

# CARACTÉRISTIQUES ET AVANTAGES

## Commandes électroniques

Les commandes électroniques flexibles sont faciles à utiliser, que vous soyez débutant ou expert.

## Distributeurs intelligents

Les distributeurs intelligents rendent votre laveuse véritablement automatique. Cette laveuse possède un distributeur à trois compartiments séparés pour le détergent de lavage haute efficacité "HE", l'assouplissant de tissu et l'agent de blanchiment liquide. Le distributeur peut se retirer facilement pour le nettoyage. Les produits de lessive sont dilués et distribués automatiquement au moment approprié durant le programme de lavage, ce qui évite à l'utilisateur de retourner à la laveuse durant le programme pour ajouter ces produits et garantit une efficacité optimale d'action de ces produits.

## Nettoyage en profondeur et vapeur

Cette laveuse possède un dispositif de vapeur intégré qui est combiné à l'option de NETTOYAGE EN PROFONDEUR pour fournir plusieurs températures permettant de retirer toutes sortes de taches sur les vêtements.

## Programme de nettoyage de la laveuse avec vapeur

Ce programme utilise de la vapeur pour augmenter la température de la laveuse et permettre un auto-nettoyage de la laveuse; l'intérieur de la laveuse est rincé et libéré des saletés et autres résidus. L'utilisation de l'agent de nettoyage pour laveuse AFFRESH™ ou d'eau de Javel avec ce programme permettra de retirer les saletés et d'éviter les odeurs.

## Niveau d'eau automatique

Cette laveuse ajuste automatiquement le niveau de l'eau pour un nettoyage et un rinçage parfaits. Deux détecteurs déterminent le volume de la charge, la composition de la charge et le niveau de mousse; ils ajustent ensuite le niveau d'eau au réglage approprié. Ceci supprime la nécessité d'évaluer le niveau d'eau nécessaire. Le niveau d'eau correspond exactement au volume de chaque charge de lavage.

## Volume de charge plus important

L'absence d'agitateur permet de laver des articles plus grands et plus encombrants tels qu'un couvre-lit de très grande taille. Vous pouvez aussi laver davantage de vêtements à la fois, ce qui signifie moins de charges.

## Tambour en acier inoxydable

Le tambour en acier inoxydable élimine la corrosion et permet des vitesses d'essorage plus élevées pour une meilleure évacuation de l'eau, laquelle aide à réduire la durée de séchage comparé aux laveuses traditionnelles à chargement par le dessus.

## Système de lavage Haute efficacité

Votre nouvelle laveuse à chargement frontal, haute efficacité, vous fait économiser du temps grâce à des charges plus importantes moins fréquentes. Elle réduit également les factures d'eau et d'énergie en aidant à préserver les ressources.

## Vitesses d'essorage

Cette laveuse sélectionne automatiquement la vitesse d'essorage en fonction du programme sélectionné. Ce réglage effectué à l'usine peut toutefois être modifié. Cette laveuse offre jusqu'à 4 choix de vitesses d'essorage différentes.

## Chauffe-eau

Cette laveuse comporte un chauffe-eau qui chauffe automatiquement l'eau à la température optimale pour le programme sélectionné. Ceci permet un nettoyage par étapes : l'eau tiède est d'abord introduite et mélangée avec le détergent, puis réchauffée. Le nettoyage par étapes débute le programme de lavage avec de l'eau tiède pour éliminer les taches (de sang ou d'herbe par exemple).

## Technologie 6th Sense™

Un système intuitif "qui connaît chaque charge" déterminant le volume de la charge, les niveaux d'eau et la durée de nettoyage nécessaires.



## Add A Garment (ajouter un vêtement)

Lorsque cette option est disponible au début du programme, le témoin lumineux Add a Garment s'allume pendant les 4-8 premières minutes. Cette laveuse octroie une période de 4-8 minutes pendant laquelle d'autres vêtements peuvent être ajoutés à la charge.

## Système de lavage par injection directe

Cette laveuse achemine 100 % de l'eau par le biais des distributeurs pour assurer un rinçage et un mélange complet de tous les produits de lessive avant qu'ils n'entrent en contact avec les vêtements. L'eau est ensuite aspergée du haut à l'avant vers le centre de la charge, fournissant une distribution uniforme et une performance de nettoyage optimale. Il est normal que de petites quantités d'eau demeurent dans les distributeurs lorsque le programme de lavage est achevé.

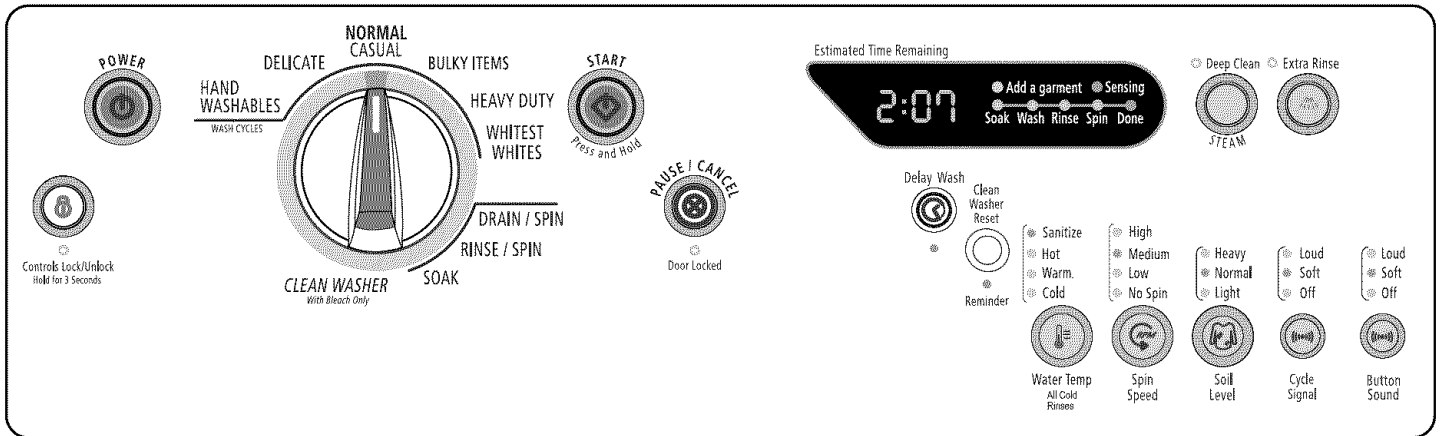
## Système efficace de détergent avec clapet anti-échappement

Cette laveuse est équipée d'un clapet spécialement conçu pour se fermer durant l'étape de lavage pour que la totalité du mélange d'eau et de détergent soit utilisée pour la charge. Le système de détergent efficace évite tout gaspillage d'eau ou de détergent.

## Système de suspension à 6 points

Les amortisseurs de chocs, les 2 ressorts et les commandes électroniques sont spécialement conçus pour aider à redistribuer la charge automatiquement et minimiser le mouvement du tambour de lavage pendant le programme d'essorage. Le système de suspension en 6 points réduit la quantité de force transmise au plancher par la laveuse, ce qui réduit le bruit et les vibrations.

# UTILISATION DE LA LAVEUSE



**REMARQUE :** Le tableau de commande de votre modèle peut différer de celui illustré ci-dessus.

## Mise en marche de la laveuse

### **AVERTISSEMENT**



#### Risque d'incendie

**Ne jamais mettre des articles humectés d'essence ou d'autres fluides inflammables dans la laveuse.**

**Aucune laveuse ne peut complètement enlever l'huile.**

**Ne pas faire sécher des articles qui ont été salis par tout genre d'huile (y compris les huiles de cuisson).**

**Le non-respect de ces instructions peut causer un décès, une explosion ou un incendie.**

**AVERTISSEMENT :** Pour réduire le risque d'incendie, de choc électrique ou de blessures corporelles, lire les INSTRUCTIONS IMPORTANTES DE SÉCURITÉ avant de faire fonctionner cet appareil.

Le texte suivant est un guide pour l'utilisation de la laveuse. Veuillez vous référer aux sections spécifiques de ce manuel pour obtenir des renseignements plus détaillés.

Ne pas remiser de produits de lessive sur le dessus de cette laveuse. Il est normal d'observer des vibrations durant le fonctionnement.

## Utilisation du détergent approprié

Utiliser uniquement des détergents Haute efficacité. Pour ce type de détergent, "HE" ou "Haute efficacité" sera mentionné sur l'emballage. Ce système de lavage, utilisant moins d'eau, provoquera trop de mousse avec un détergent ordinaire non HE. L'utilisation d'un détergent ordinaire est susceptible d'occasionner des erreurs de la part de la laveuse, des durées de programmes plus longues et une performance de rinçage réduite. Ceci peut aussi entraîner des défaillances des composants et une moisissure perceptible. Les détergents HE sont conçus pour produire la quantité de mousse adéquate pour le meilleur rendement. Suivre les recommandations du fabricant pour déterminer la quantité de détergent à utiliser.



Utiliser uniquement un détergent HE Haute efficacité.

## Premier programme de lavage sans linge

Avant de laver les vêtements pour la première fois, choisir le programme Normal/Casual (normal/tout-aller) et l'exécuter sans linge (si cela n'a pas déjà été fait au cours de l'étape d'installation finale). Utiliser uniquement un détergent HE Haute efficacité. Utiliser la moitié de la quantité recommandée par le fabricant pour une charge de taille moyenne. Ce programme préalable sert à garantir que l'intérieur est propre avant de laver des vêtements.

---

## Pour tous les programmes de lavage

---

1. Ouvrir la porte de la laveuse en tirant sur la poignée. Trier le linge d'après la couleur et le type de tissu. Placer une charge de linge trié dans la laveuse. Ne pas surcharger la laveuse. Une surcharge peut causer un nettoyage médiocre.
  - La laveuse peut être bien remplie mais le linge ne doit pas être tassé. La porte de la laveuse doit fermer facilement.
  - Mélanger les gros articles avec les petits articles et éviter de laver des articles seuls. Charger la laveuse uniformément.
  - Laver les petits articles tels que les chaussettes d'enfants dans un sac en filet pour le linge. Il est recommandé d'utiliser plus d'un sac de linge, et de remplir chaque sac avec des quantités similaires de linge.
  - Lorsqu'on retire le linge, vérifier sous le joint de couleur grise à l'avant de la cuve qu'il n'y ait pas de petits articles coincés.
2. Fermer la porte de la laveuse en la poussant fermement jusqu'à ce que le verrou s'enclenche. La porte de la laveuse demeurera verrouillée durant le programme de lavage.

### REMARQUES :

- Lorsqu'un programme de lavage est terminé, la porte doit être ouverte puis refermée avant qu'un nouveau programme puisse commencer.
  - La porte ne peut être ouverte que si PAUSE/CANCEL (pause/annulation) est sélectionné lorsque le témoin lumineux Add A Garment (ajouter un vêtement) est allumé, ou si le programme a été annulé.
  - Voir "Pour annuler un programme" dans la section "Changement de programmes, options et modificateurs".
3. Ouvrir le tiroir distributeur et verser les produits de lessive dans les compartiments de détergent, d'agent de blanchiment ou d'assouplissant de tissu. Fermer le tiroir lentement pour éviter les renversements. Voir "Utilisation du distributeur".
  4. Mettre la laveuse en marche en sélectionnant POWER (alimentation). Sélectionner un des programmes en tournant le sélecteur de programme. Le témoin lumineux correspondant au programme sélectionné s'allume en vert. Lors de la sélection d'un programme de lavage, les pré-réglages d'options et de modificateurs (température d'eau, vitesse d'essorage et niveau de saleté) pour le programme sélectionné s'allument en vert. Les options sélectionnables s'allument d'une couleur ambre. Si une option ou un modificateur est indisponible avec un programme sélectionné, le témoin ne s'allume pas. L'afficheur indique la durée résiduelle estimée. Les pré-réglages procurent les soins aux tissus recommandés pour le programme sélectionné. Voir "Programmes".
  5. Sélectionner les options désirées. Toutes les options ne sont pas disponibles avec tous les programmes. Voir "Options".
  6. Sélectionner les modificateurs désirés tels que la température de l'eau, la vitesse d'essorage et le niveau de saleté. Tous les modificateurs ne sont pas disponibles avec tous les programmes et toutes les options. Voir "Modificateurs".
  7. Si désiré, sélectionner le CYCLE SIGNAL (signal de programme). Le signal est utile lorsque vous lavez des articles qui doivent être enlevés de la laveuse aussitôt qu'elle s'arrête. Sélectionner Loud (fort), Soft (doux) ou Off (désactivé).
  8. Si désiré, sélectionner BUTTON SOUND (son des boutons). Si cette caractéristique est activée, la laveuse émet un son à chaque fois qu'on appuie sur un bouton. Sélectionner Loud (fort), Soft (doux) ou Off (désactivé).

9. Sélectionner START pendant 1 seconde environ.
  - Si vous n'appuyez pas sur START (mise en marche) dans les 5 minutes qui suivent le choix d'un programme, la laveuse s'éteint automatiquement.
  - Lorsque le programme de lavage est terminé, le témoin de l'état d'avancement DONE (terminé) s'illumine, la porte se déverrouille et la charge peut être retirée de la laveuse. La laveuse s'éteint automatiquement 60 minutes après la fin du programme et le témoin DONE s'éteint. Pour éteindre manuellement la laveuse après la fin d'un programme de lavage, sélectionner une fois PAUSE/CANCEL (pause/annulation).
10. Pour réutiliser le même programme, appuyer d'abord sur POWER (alimentation) puis sur START (mise en marche).
11. **Pour commencer le programme de lavage ultérieurement**  
Sélectionner DELAY WASH (lavage différé) jusqu'à ce que la durée de délai désirée (en heures) soit indiquée sur l'afficheur de la durée résiduelle estimée. Sélectionner START (mise en marche). La fenêtre d'affichage indique le compte à rebours jusqu'au programme de lavage.

**IMPORTANT :** En cas de mise en marche différée d'un programme, utiliser seulement des détergents en poudre dans le compartiment de lavage principal car les détergents liquides risquent de suinter hors du compartiment avant le début du programme de lavage.

---

## Utilisation du distributeur

Votre nouvelle laveuse comporte un tiroir distributeur avec trois compartiments pour les produits de lessive – un pour le détergent haute efficacité, un pour l'agent de blanchiment liquide et un pour l'assouplissant de tissu liquide. Les produits de lessive sont dilués et distribués automatiquement au moment approprié durant le programme de lavage, ce qui évite à l'utilisateur de retourner à la laveuse durant le programme pour ajouter ces produits.

Il est normal que de petites quantités d'eau demeurent dans les distributeurs lorsque le programme de lavage est achevé.

Ne pas placer de produits de lessive directement dans la cuve de lavage. Toujours utiliser les distributeurs appropriés pour ajouter les produits de lessive.

---

### Choix du détergent approprié

---

Utiliser uniquement des détergents Haute efficacité. Pour ce type de détergent, "HE" ou "Haute efficacité" sera mentionné sur l'emballage. Ce système de lavage, utilisant moins d'eau, provoquera trop de mousse avec un détergent ordinaire non HE. L'utilisation d'un détergent ordinaire est susceptible d'occasionner des erreurs de la part de la laveuse, des durées de programmes plus longues et une performance de rinçage réduite. Ceci peut aussi entraîner des défaillances des composants et une moisissure perceptible. Les détergents HE sont conçus pour produire la quantité de mousse adéquate pour le meilleur rendement. Suivre les recommandations du fabricant pour déterminer la quantité de détergent à utiliser.



Utiliser uniquement un détergent HE Haute efficacité.

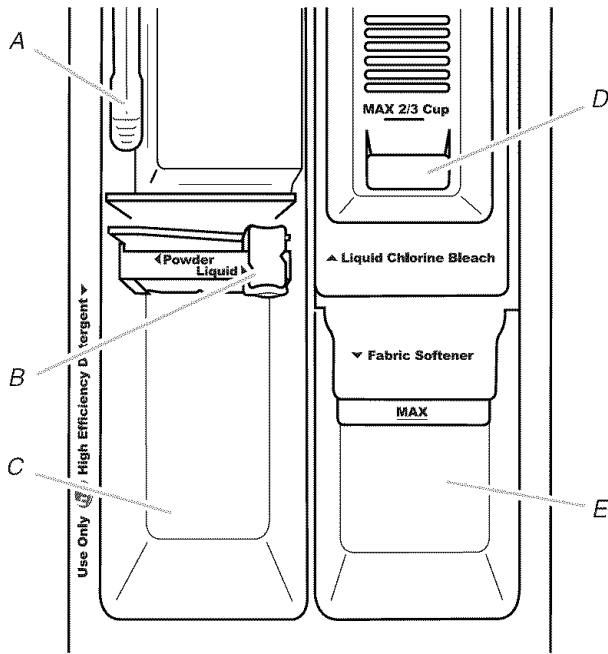
---

### Pour remplir les compartiments du distributeur

---

1. Tirer le tiroir distributeur.
2. Verser le produit de lessive désiré dans le compartiment approprié.

3. Enfoncer le tiroir distributeur lentement et complètement (pour éviter les renversements).



### Distributeur

- A. Levier de dégagement du tiroir distributeur
- B. Sélecteur du type de détergent
- C. Compartiment pour détergent Haute efficacité "HE"
- D. Compartiment pour agent de blanchiment
- E. Compartiment pour assouplissant de tissu

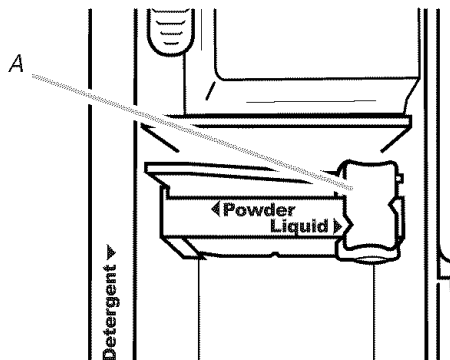
### Compartiment pour détergent Haute efficacité (HE)

(Lettres B et C sur l'illustration du distributeur)

Verser le détergent HE liquide ou en poudre dans ce compartiment pour le programme de lavage. Le sélecteur de type de détergent (B) doit toujours être placé dans la bonne position pour le type de détergent utilisé. Faire glisser le sélecteur du type de détergent en position correcte.

**IMPORTANT :** En cas d'utilisation de l'option de mise en marche différée, on doit utiliser un détergent en poudre dans le compartiment car les détergents liquides sont susceptibles de couler hors du compartiment, avant même le début du lavage.

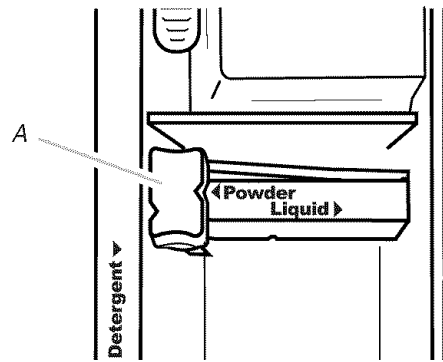
- Utiliser la quantité recommandée par le fabricant en fonction de la taille de la charge.
- **Détergent liquide :**



Sélecteur en position pour le détergent liquide

- A. Sélecteur du type de détergent

### ■ Détergent en poudre :



Sélecteur en position pour le détergent en poudre

- A. Sélecteur du type de détergent

### Compartiment d'agent de blanchiment

(Lettre D sur l'illustration du distributeur)

Ne pas verser plus de  $\frac{2}{3}$  de tasse (160 mL) d'agent de blanchiment liquide dans ce compartiment. L'agent de blanchiment sera automatiquement dilué et distribué au moment approprié au cours du premier rinçage après le programme de lavage. Ce compartiment ne peut diluer un agent de blanchiment en poudre.

- Toujours mesurer la quantité d'agent de blanchiment liquide. Utiliser une tasse à mesurer avec un bec verseur; ne pas utiliser une quantité approximative. Suivre les instructions du fabricant pour une utilisation en toute sécurité.
- Ne pas remplir au-delà du niveau "MAX".

**REMARQUE :** Un remplissage excessif pourrait causer des dommages aux vêtements.

### Compartiment pour assouplissant de tissu

(Lettre E sur l'illustration du distributeur)

Verser une quantité mesurée d'assouplissant de tissu liquide dans le distributeur d'assouplissant de tissu, si désiré.

- Ne pas remplir excessivement. La capacité du distributeur d'assouplissant de tissu est de  $\frac{1}{4}$  de tasse (60 mL).
- L'assouplissant de tissu est distribué au cours du programme de rinçage. Si un rinçage supplémentaire est sélectionné, l'assouplissant de tissu sera distribué au cours du rinçage supplémentaire.
- Ne pas utiliser de boules distributrices d'assouplissant de tissu dans cette laveuse. Les boules distributrices ne fonctionnent pas correctement avec cette laveuse.
- Ne pas renverser ou faire couler d'assouplissant de tissu sur les vêtements.
- À la fin du programme, il est possible qu'une petite quantité d'eau reste dans le distributeur. Ceci est normal.

**REMARQUE :** Utiliser seulement un assouplissant de tissu liquide dans ce distributeur.

## Pause ou remise en marche

1. Pour mettre la laveuse en pause à tout moment, appuyer sur PAUSE/CANCEL (pause/annulation).
2. Pour poursuivre le programme, appuyer sur START (mise en marche) (pendant environ 1 seconde).

## Changement des programmes, options et modificateurs

Toutes les options et tous les modificateurs ne sont pas disponibles avec tous les programmes. Les modificateurs disponibles s'allument d'une couleur ambre. Si une option ou un modificateur est indisponible avec un programme sélectionné, le témoin ne s'allume pas. Les programmes, options et modificateurs peuvent être changés à tout moment tant que START (mise en marche) n'a pas été sélectionné.

### Pour annuler un programme et en sélectionner un autre

1. Appuyer deux fois sur PAUSE/CANCEL (pause/annulation).
2. Appuyer sur POWER (alimentation).
3. Sélectionner le programme désiré.
4. Sélectionner les options et modificateurs désirés tels que la température de l'eau, la vitesse d'essorage et le niveau de saleté.
5. Appuyer sur START (mise en marche) (pendant environ 1 seconde) pour remettre la laveuse en marche au début du nouveau programme.

### Pour annuler un programme

1. Appuyer deux fois sur PAUSE/CANCEL (pause/annulation).
2. La laveuse s'éteint, la porte se déverrouille et les vêtements peuvent être retirés.

**REMARQUE :** Si le niveau d'eau ou la température est trop élevé(e), la laveuse effectuera automatiquement une vidange avant le déverrouillage de la porte.

### Pour changer les options ou les modificateurs lorsque le programme a commencé

1. Appuyer une fois sur PAUSE/CANCEL (pause/annulation).
2. Sélectionner les options et modificateurs désirés tels que la température de l'eau, la vitesse d'essorage et le niveau de saleté. Les sélections disponibles s'allument d'une couleur ambre.
3. Appuyer sur START (mise en marche) (pendant environ 1 seconde) pour poursuivre le programme.

### Pour vidanger la laveuse manuellement

1. Appuyer deux fois sur PAUSE/CANCEL (pause/annulation).
2. Appuyer sur POWER (alimentation).
3. Sélectionner DRAIN/SPIN (vidange/essorage).
4. Appuyer sur START (mise en marche) (pendant environ 1 seconde) pour commencer le programme.
5. Lorsque l'essorage est terminé, la porte se déverrouille. Les articles peuvent être retirés de la laveuse.

## Témoins lumineux

Ces témoins lumineux indiquent quelle partie du programme la laveuse est en train d'effectuer. Ils indiquent également à quel moment vous pouvez ajouter un article supplémentaire dans la laveuse et à quel moment les commandes sont verrouillées.



### Add a garment (Ajouter un vêtement)

Cette laveuse octroie une période de 4-8 minutes pendant laquelle d'autres vêtements peuvent être ajoutés à la charge. Vous pouvez ajouter des articles dans la laveuse tant que le témoin lumineux Add a garment est allumé.

#### Pour ajouter des articles lorsque le témoin Add a garment est allumé

1. Vous devez annuler le programme en cours. Sélectionner une fois PAUSE/CANCEL (pause/annulation). La porte de la laveuse se déverrouille au bout de quelques secondes et les articles peuvent être ajoutés.
2. Pour poursuivre le programme, fermer la porte et sélectionner START (mise en marche) (pendant environ 1 seconde).

#### Pour ajouter des articles lorsque le témoin Add a garment n'est pas allumé

1. Sélectionner deux fois PAUSE/CANCEL (pause/annulation). Ceci annule le programme de lavage et les options. La porte de la laveuse se déverrouille et les articles peuvent être ajoutés.
2. Fermer la porte, appuyer sur POWER (alimentation) et sélectionner le nouveau programme et les nouvelles options. Sélectionner START (mise en marche) (pendant 1 seconde environ).

### Done (linge prêt)

Le témoin Done reste allumé pendant 60 minutes après la fin du programme puis la laveuse s'éteint.

### Assainissement

Cette laveuse comporte une température d'eau Sanitize (assainissement), homologuée par NSF International, une organisation tierce indépendante d'homologation et d'évaluation. L'homologation vérifie que le programme d'assainissement réduit de 99,9 % les bactéries généralement présentes dans les vêtements, la literie et les serviettes, et qu'il n'y a pas de transfert de bactéries entre les charges une fois que le programme est achevé.



Homologué pour assainir

Si la température de lavage "Sanitize" (assainissement) est sélectionnée, une fois que le programme de lavage est terminé, le témoin lumineux DONE (linge prêt) s'allume en vert, la porte se déverrouille et la charge peut être retirée de la laveuse. La laveuse s'éteint automatiquement 60 minutes après la fin du programme et le témoin DONE s'éteint.

## Controls Lock/Unlock (verrouillage/déverrouillage des commandes)

La fonction Controls Lock (verrouillage des commandes) évite l'utilisation involontaire de la laveuse. Vous pouvez aussi utiliser la caractéristique de verrouillage des commandes pour éviter des changements involontaires de programme ou d'option durant un programme. Lorsque Controls Lock est allumé, tous les boutons sont désactivés à l'exception de Pause/Cancel (pause/annulation) et Start (mise en marche). Vous pouvez verrouiller les commandes alors que la laveuse est en marche.

### Pour verrouiller les commandes

Appuyer sur CONTROLS LOCK/UNLOCK (verrouillage des commandes) pendant 3 secondes après le début du programme ou quand la laveuse s'est éteinte.



Controls Lock/Unlock  
Hold for 3 Seconds

Le témoin lumineux à côté du bouton CONTROLS LOCK/UNLOCK s'allume.

### Pour déverrouiller les commandes

Appuyer sur CONTROLS LOCK/UNLOCK (verrouillage des commandes) pendant 3 secondes jusqu'à ce que le témoin lumineux s'éteigne.

**REMARQUE :** Pour verrouiller ou déverrouiller les commandes lorsque la laveuse est éteinte, appuyer sur CONTROLS LOCK/UNLOCK (verrouillage/déverrouillage des commandes) pendant 3 secondes.

## Door Locked (porte verrouillée)

Lorsque le témoin lumineux s'allume, la porte est verrouillée.

## Sensing/Revising Estimated Time (témoin de détection/mise à jour de la durée estimée)

La durée du programme varie automatiquement en fonction de la pression et de la température de l'eau, du détergent et de la charge de linge.

La laveuse détecte automatiquement la progression du programme et ajuste l'affichage de la durée restante estimée. Pendant la détection, la durée estimée clignote et le témoin lumineux de détection s'allume. Quand la détection est terminée, le clignotement s'arrête, le témoin lumineux s'éteint et l'affichage de la durée restante estimée est mis à jour.

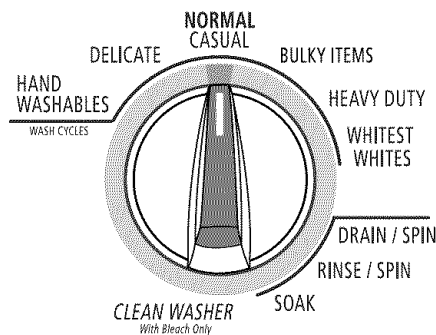
La durée du programme sera prolongée en cas d'excès de mousse ou si la charge est déséquilibrée. La procédure contre la mousse élimine l'excès de mousse et permet un rinçage correct de vos vêtements. Voir "Dépannage". L'affichage du temps se mettra en pause pendant la procédure de déséquilibre jusqu'à ce que cette procédure soit terminée, puis reprendra en même temps que le programme.

## Nettoyage de la laveuse - rappel

Le témoin Clean Washer Reminder s'allume pour rappeler qu'il faut utiliser le programme Clean Washer régulièrement. Le témoin de rappel s'allume après 30 programmes de lavage effectués. Le témoin de rappel peut être réinitialisé, soit en effectuant un programme Clean Washer, soit en appuyant sur le bouton CLEAN WASHER RESET (réinitialisation - nettoyage de la laveuse).

## Programmes

Pour sélectionner un programme, tourner le bouton de commande au programme désiré. Chaque programme est conçu pour différents types de tissu et niveaux de saleté. Les témoins lumineux des modificateurs, situés sur le côté droit du tableau, changent en fonction des programmes sélectionnés.



- Chaque programme comporte un niveau de saleté (durée estimée du programme), une température de l'eau et une vitesse d'essorage pré-réglés et peut comporter des options pré-réglées. Les pré-réglages procurent les soins aux tissus recommandés pour le programme sélectionné.
- Les pré-réglages de programme s'allument en vert pour indiquer les options et modificateurs présélectionnés; ils peuvent être modifiés à tout moment tant que START (mise en marche) n'a pas été sélectionné. Toutes les options et tous les modificateurs ne sont pas disponibles avec tous les programmes. Les sélections disponibles s'allument d'une couleur ambrée. (Pour modifier les réglages après le début du programme, appuyer une fois sur PAUSE/CANCEL (pause/annulation), puis sélectionner les réglages désirés. Appuyer sur START pour continuer le programme.)
- Les détergents en poudre peuvent ne pas se dissoudre correctement durant un programme à basse vitesse. Pour des résultats optimaux, utiliser un détergent liquide pour les programmes à basse vitesse.

## Préréglages de programme

Chaque programme comporte un niveau de saleté (durée du programme), une température de l'eau et une vitesse d'essorage pré-réglés. Les pré-réglages procurent les soins aux tissus recommandés pour le programme sélectionné. Voir le tableau.

Programme	Niveau de saleté (durée de programme)	Temp. de l'eau	Vitesse d'essorage
<b>Whitest Whites (blancs les plus blancs)</b>	Normal (1:20)	Hot/Cold (chaude/froide)	High (élevée)
<b>Heavy Duty (service intense)</b>	Normal (1:10)	Hot/Cold (chaude/froide)	High (élevée)
<b>Bulky Items (articles volumineux)</b>	Normal (0:55)	Warm/Cold (tiède/froide)	Low (basse)
<b>Normal/Casual (normal/tout-aller)</b>	Normal (0:50)	Warm/Cold (tiède/froide)	High (élevée)
<b>Delicate (articles délicats)</b>	Normal (0:40)	Warm/Cold (tiède/froide)	Medium (moyenne)
<b>Hand Washables (articles lavables à la main)</b>	Normal (0:30)	Cold/Cold (froide/froide)	Low (basse)
<b>Clean Washer (nettoyage de la laveuse)</b>		N/A	High (élevée)
<b>Soak (trempage)</b>	Normal (0:30)	Warm/Cold (tiède/froide)	Pas d'essorage
<b>Rinse/Spin (rinçage/essorage)</b>	N/A (0:22)	Cold/Cold (froide/froide)	High (élevée)
<b>Drain/Spin (vidange/essorage)</b>	N/A (0:13)	N/A	High (élevée)

## Modification des pré-réglages de programme

Appuyer sur le sélecteur de chaque réglage disponible jusqu'à ce que le réglage désiré s'allume en vert.

### Whitest Whites (blancs les plus blancs)

Ce programme est spécialement conçu pour le nettoyage de charges de linge blanc sale avec ajout d'agent de blanchiment. Les températures de lavage élevées assurent un fonctionnement optimal de l'agent de blanchiment. Un rinçage supplémentaire fournit une performance de rinçage optimale pour éviter les résidus de chlore sur votre lessive. Ce programme combine un culbutage à vitesse rapide, une durée de lavage prolongée et un essorage à vitesse élevée pour réduire la durée de séchage.

### Heavy Duty (service intense)

Utiliser ce programme pour laver des charges de vêtements robustes, aux couleurs grand teint et très sales. Ce programme combine un culbutage à vitesse rapide, une durée de lavage prolongée et un essorage à vitesse élevée pour réduire la durée de séchage. Si la température de l'eau est inférieure à celle nécessaire pour ce programme, le chauffe-eau réchauffera l'eau à la température idéale.

### Bulky Items (articles volumineux)

Utiliser ce programme pour laver de gros articles tels que couvertures et édredons. Ce programme commence par un trempage pour bien imbiber la charge. Ceci est suivi d'une action de lavage moyenne et d'un essorage à basse vitesse uniquement pour maintenir l'équilibre de la charge.

### Normal/Casual (normal/tout-aller)

Utiliser ce programme pour laver des charges de tissus qui ne se repassent pas tels que chemises de sport, chemisiers, vêtements de travail tout-aller, mélanges à pressage permanent, coton et linge de maison et tissus synthétiques. Ce programme combine un culbutage à vitesse moyenne, un essorage à vitesse élevée et un processus de refroidissement de la charge pour réduire le froissement.

**REMARQUE :** Pour un meilleur rendement énergétique, utiliser le programme Normal/Casual (normal/tout-aller).

### Delicate (articles délicats)

Utiliser ce programme pour nettoyer les articles lavables à la main et les vêtements nécessitant un soin spécial. Semblable à la façon dont les vêtements sont lavés à la main dans un évier, l'action de lavage de ce programme combine des périodes de culbutage à basse vitesse et de trempage. Le mouvement CRADLE CLEAN™ permet de prendre soin des articles délicats et des articles lavables à la main tout en assurant un nettoyage efficace. L'essorage à moyenne vitesse réduit le froissement.

- Utiliser des sacs en filet pour laver les sous-vêtements tels que les soutiens-gorge à armature, les articles avec ficelles et les articles de petite taille tels que les chaussettes d'enfants.

### Hand Washables (articles lavables à la main)

Utiliser ce programme pour nettoyer les articles lavables à la main et les vêtements nécessitant un soin spécial. Semblable à la façon dont les vêtements sont lavés à la main dans un évier, l'action de lavage de ce programme combine des périodes de culbutage à basse vitesse et de trempage. Le mouvement CRADLE CLEAN™ permet de prendre soin des articles délicats et des articles lavables à la main tout en assurant un nettoyage efficace. L'essorage à basse vitesse réduit le froissement.

- Utiliser des sacs en filet pour le linge au besoin.



## Clean Washer (nettoyage de la laveuse)

Utiliser le programme Clean Washer une fois par mois pour conserver l'intérieur de la laveuse frais et propre. Ce programme utilise un niveau d'eau plus élevé. Utiliser une pastille de nettoyant pour laveuse AFFRESH™ ou de l'agent de blanchiment pour nettoyer à fond l'intérieur de la machine à laver. Ce programme ne doit pas être interrompu. Voir "Nettoyage de la laveuse" dans la section "Entretien de la laveuse".

**IMPORTANT :** Ne pas placer de vêtements ou autres articles dans la laveuse pendant le programme Clean Washer. Utiliser ce programme avec un tambour de lavage vide.

## Soak (trempage)

Utiliser le programme de trempage pour enlever les petits points des taches tenaces sur les tissus. Ce programme comporte une période de trempage dans l'eau tiède ou froide, suivie d'une vidange. La quantité supplémentaire d'eau, la courte phase de culbutage pour une distribution uniforme de la lessive, et la période de trempage sans mouvement du tambour permettent une élimination plus efficace des taches incrustées. La vidange sans essorage prend soin des articles, même les plus délicats.

## Rinse/Spin (rinçage/essorage)

Utiliser ce programme pour obtenir un rinçage et un essorage seulement. Ce programme combine un culbutage à vitesse élevée et un essorage à vitesse élevée. On peut réduire la vitesse d'essorage en sélectionnant la vitesse souhaitée à partir du modificateur SPIN SPEED (vitesse d'essorage).

### Le programme Rinse/Spin est utile pour

- Les charges qui nécessitent un rinçage uniquement.
- L'addition d'assouplissant de tissu à une charge.

## Drain/Spin (vidange/essorage)

Utiliser ce programme pour vidanger la laveuse ou pour vidanger et essorer la charge de lavage. La vitesse d'essorage est pré réglée à High (élevée). On peut réduire la vitesse d'essorage en sélectionnant la vitesse souhaitée à partir du modificateur SPIN SPEED (vitesse d'essorage).

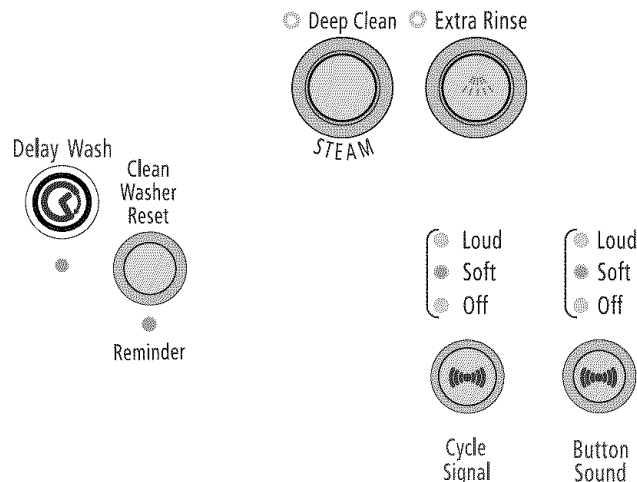
**REMARQUE :** Les charges de vêtements synthétiques, tissus délicats, articles lavables à la main et lainages doivent être vidangés sans essorage ou avec essorage à basse vitesse pour ne pas déformer les tissus.

## Sons normaux émis par la laveuse

Comme pour tout appareil neuf, vous entendrez des sons auxquels vous n'êtes pas habitué. Vous pouvez entendre différents sons lors du verrouillage/déverrouillage de la porte et durant les processus de lavage, rinçage et essorage. Entre les changements dans les actions de lavage, la laveuse fera des pauses momentanées. Vous entendrez l'éclaboussement de l'eau pendant les programmes de lavage et de rinçage. Ces nouveaux sons et pauses font partie du fonctionnement normal de la laveuse.

## Options

Vous pouvez personnaliser votre lavage en ajoutant des options à vos sélections de programme. Vous pouvez ajouter ou modifier une option après le début d'un programme à tout moment avant la mise en marche de l'option sélectionnée. Toutes les options ne sont pas disponibles avec tous les programmes. Les options disponibles s'allument d'une couleur ambre. Les sélections en cours s'allument en vert. Si une option est indisponible avec un programme sélectionné, le témoin ne s'allume pas.



- Consulter le "Guide de lessivage" pour un aperçu des options possibles pour chaque sélection de programme de lavage.
- Vous pouvez choisir plusieurs options par programme. Certaines options ne peuvent être sélectionnées avec certains programmes. Par exemple, l'option de Deep Clean (nettoyage en profondeur) est incompatible avec le programme de Quick Wash (lavage rapide).
- Si une option n'est pas disponible avec un programme sélectionné, 3 brefs signaux sonores sont émis et le témoin lumineux de cette option ne s'allume pas au moment de la sélection.

## Delay Wash (lavage différé)

Pour différer la mise en marche d'un programme, sélectionner DELAY WASH (lavage différé) jusqu'à ce que la durée différée désirée (en heures) soit indiquée sur l'afficheur de la durée résiduelle estimée, puis sélectionner START (mise en marche). Le compte à rebours jusqu'au programme de lavage s'affiche sur la fenêtre, et l'indicateur du bouton clignote jusqu'à ce que le programme commence.

**IMPORTANT :** En cas de mise en marche différée d'un programme, utiliser seulement des détergents en poudre dans le compartiment pour détergent Haute efficacité (HE), car les détergents liquides risquent de suinter hors du compartiment avant le début du programme de lavage.

## Clean Washer Reminder (Nettoyage de la laveuse - rappel)

Le témoin Clean Washer Reminder s'allume pour rappeler qu'il faut utiliser le programme Clean Washer régulièrement. Le témoin de rappel s'allume après 30 programmes de lavage effectués. Le témoin de rappel peut être réinitialisé, soit en effectuant un programme Clean Washer, soit en appuyant sur le bouton CLEAN WASHER RESET.

## Deep Clean with Steam (Nettoyage en profondeur avec vapeur)

Utiliser cette option pour les charges de vêtements très sales qui nécessitent un traitement renforcé contre les taches, les charges comportant différents types de taches ou les charges que vous soupçonnez d'être tachées mais qui n'ont peut-être pas été détectées (pas de triage ou de recherche de taches). Lorsque l'option de nettoyage en profondeur avec vapeur est sélectionnée, la température de l'eau du programme de lavage sélectionné est automatiquement réglée à tiède. L'eau est alors lentement chauffée à la température sélectionnée, de même que la vapeur, pour faciliter l'enlèvement des taches. Cette option permettra l'élimination optimale des souillures organiques, telles que le sang ou l'herbe.

## Extra Rinse (rinçage supplémentaire)

Un rinçage supplémentaire peut être effectué pour favoriser l'élimination des résidus de détergent ou d'agent de blanchiment sur les vêtements. Cette option fournit un rinçage supplémentaire avec une eau à la même température que pour le premier rinçage.

## Cycle signal (signal de programme)

Ce signal est utile lorsqu'on retire les articles de la laveuse aussitôt qu'elle s'arrête. Appuyer sur CYCLE SIGNAL pour sélectionner Loud (fort), Soft (faible) ou Off (désactivé).

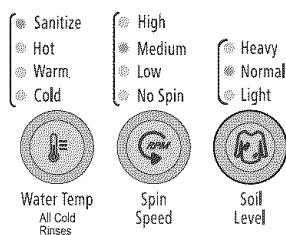
## Button Sound (son des boutons)

Les sons des boutons sont utilisés pour vous indiquer ce qui a été sélectionné ou vous faire savoir que quelque chose n'est pas disponible. Appuyer sur BUTTON SOUND (son des boutons) pour sélectionner Loud (fort), Soft (faible) ou Off (désactivé).

## Modificateurs

Les pré-réglages de programme pour la température de l'eau, la vitesse d'essorage et le niveau de saleté peuvent être modifiés. Vous pouvez modifier un modificateur après le début d'un programme à tout moment avant la mise en marche du modificateur sélectionné. Tous les modificateurs ne sont pas disponibles avec tous les programmes et toutes les options. Les options disponibles s'allument d'une couleur ambre. Les sélections en cours s'allument en vert. Si un modificateur est indisponible avec un programme sélectionné, le témoin ne s'allume pas.

**REMARQUE :** Le tableau de commande de votre modèle peut différer de celui illustré ci-dessous.



- Pour modifier la température de l'eau, sélectionner le bouton WATER TEMP (température de l'eau) jusqu'à ce que le réglage désiré s'allume en vert.

- Pour modifier la vitesse d'essorage, sélectionner le bouton SPIN SPEED (vitesse d'essorage) jusqu'à ce que le réglage désiré s'allume en vert.
- Pour modifier la durée du programme, sélectionner le bouton SOIL LEVEL (niveau de saleté) jusqu'à ce que le réglage désiré s'allume en vert.

## Temp. de l'eau

Sélectionner une température de l'eau selon le type de charge à laver. Utiliser l'eau de lavage la plus chaude sans danger pour les tissus. Suivre les instructions figurant sur l'étiquette des vêtements.

Les rinçages à l'eau tiède permettent un meilleur séchage que les rinçages à froid. Les rinçages à l'eau tiède augmentent le froissement. Dans les climats froids, un rinçage à l'eau tiède facilite la manipulation de la charge. Les rinçages à froid économisent de l'énergie.

- Cette laveuse comporte une température d'eau Sanitize (assainissement), homologuée par NSF International, une organisation tierce indépendante d'homologation et d'évaluation. L'homologation vérifie que le programme d'assainissement réduit de 99,9 % les bactéries généralement présentes dans les vêtements, la literie et les serviettes, et qu'il n'y a pas de transfert de bactéries entre les charges une fois que le programme est achevé.



*Homologué pour assainir*

- La température Sanitize (assainissement) fournit une température très élevée pour éliminer 99,9 % de certaines bactéries. Il est recommandé de régler le chauffe-eau à 120°F (49°C) pour assurer un rendement efficace pendant ce programme.
- La température d'eau Sanitize utilise des températures d'eau élevées. Veuillez vérifier l'étiquette de soin des vêtements pour éviter tout endommagement.
- Dans les températures d'eau de lavage inférieures à 60°F (15,6°C), les détergents ne se dissolvent pas correctement. Les saletés peuvent être difficiles à enlever.

## Technologie 6TH SENSE™

La technologie 6TH SENSE™ détecte et maintient électroniquement l'eau à une température constante. La technologie 6TH SENSE™ régule l'arrivée d'eau chaude et d'eau froide. La technologie 6TH SENSE™ est automatiquement activée lorsqu'un programme est sélectionné. Voir "Préréglages de programme" dans "Programmes". La technologie 6TH SENSE™ garantit un nettoyage uniforme.

- La technologie 6TH SENSE™ fonctionne avec tous les réglages de température de l'eau de lavage.
- La technologie 6TH SENSE™ fonctionne pour la température de rinçage lorsque la température de lavage est marquée d'un astérisque, tel que Warm\* (tiède). Toutes les autres températures de rinçage sont froides.



## Guide de lessivage

Consulter ce tableau pour les types de charges suggérés et le programme correspondant. Pour chacun des programmes de la laveuse, les options disponibles sont indiquées à droite.

PROGRAMME	TYPE DE CHARGE SUGGÉRÉ	OPTIONS DISPONIBLES		
		Delay Wash (lavage différé)	Deep Clean (nettoyage en profondeur)	Extra Rinse (rinçage supplémentaire)
<b>Whitest Whites (blancs les plus blancs)</b>	Tissus blancs sales	✓	✓	✓
<b>Heavy Duty (service intense)</b>	Vêtements robustes, aux couleurs grand teint et très sales	✓	✓	✓
<b>Bulky Items (articles volumineux)</b>	Couvertures et édredons normalement sales	✓	✓	✓
<b>Normal/Casual (normal/tout-aller)</b>	Articles normalement sales tels que chemisiers, chemises, salopettes, etc. en polyester, nylon, coton, lin ou mélanges de coton	✓	✓	✓
<b>Delicate (articles délicats)</b>	Articles nécessitant un soin particulier étiquetés "Lavable à la main"	✓		✓
<b>Hand Washables (articles lavables à la main)</b>	Articles nécessitant un soin particulier étiquetés "Lavable à la main"	✓		✓
<b>Clean Washer (nettoyage de la laveuse)</b>	Pas de vêtements, utiliser des pastilles de nettoyant pour laveuse AFFRESH™			
<b>Soak (trempage)</b>	Vêtements en coton, lin, polyester ou nylon	✓		
<b>Rinse/Spin (rinçage/essorage)</b>	Vêtements en coton, lin, polyester ou nylon	✓		✓
<b>Drain/Spin (vidange/essorage)</b>	Vêtements en coton, lin, polyester ou nylon	✓		

# CONSEILS DE LESSIVAGE

## Préparation des vêtements pour le lavage

Suivre les recommandations suivantes pour prolonger la vie de vos vêtements.

- Utiliser uniquement des détergents Haute efficacité. Pour ce type de détergent, "HE" ou "Haute efficacité" sera mentionné sur l'emballage. Ce système de lavage, utilisant moins d'eau, provoquera trop de mousse avec un détergent ordinaire non-HE. L'utilisation d'un détergent ordinaire est susceptible d'occasionner des erreurs de la part de la laveuse, des durées de programmes plus longues et une performance de rinçage réduite. Ceci peut aussi entraîner des défaillances des composants et une moisissure perceptible. Les détergents HE sont conçus pour produire la quantité de mousse adéquate pour le meilleur rendement. Suivre les recommandations du fabricant pour déterminer la quantité de détergent à utiliser.



*Utiliser uniquement un détergent HE Haute efficacité.*

- Fermer les fermetures à glissière, les boutons pression et les crochets pour éviter d'accrocher d'autres articles. Retirer les épingles, boucles et autres objets durs pour éviter d'égratigner l'intérieur de la laveuse. Ôter les garnitures et les ornements non lavables.
- Vider les poches et les retourner.
- Retourner les revers et enlever la charpie et la poussière avec une brosse.
- Retourner les lainages et tricots synthétiques pour éviter le boulochage.
- Attacher les cordons et les ceintures pour empêcher l'emmêlement.
- Raccorder les déchirures, les ourlets défaits et les coutures.
- Traiter les taches.
- Les vêtements tachés ou mouillés doivent être lavés sans délai pour obtenir les meilleurs résultats.
- Mélanger les petits articles avec les gros, éviter de laver un article seul et répartir la charge de façon égale dans la laveuse.
- Laver les petits articles tels que les chaussettes d'enfants dans un sac en filet pour le linge. Pour obtenir une charge équilibrée, on recommande d'utiliser plus d'un sac et de remplir chaque sac avec des quantités similaires.

**REMARQUE :** Si vous lavez uniquement des petits articles, il est recommandé d'utiliser plus d'un sac et de remplir chaque sac avec des quantités similaires.

## Tri

- Séparer les articles très sales des articles légèrement sales, même si on les lave normalement ensemble. Séparer les articles qui forment de la charpie (serviettes, chenille) des articles qui retiennent la charpie (velours côtelé, synthétiques, pressage permanent). Dans la mesure du possible, retourner les articles qui forment de la charpie.
- Séparer les couleurs foncées des couleurs claires et les articles grand teint des articles qui déteignent.
- Trier en fonction des tissus et de la confection (cotons solides, tricots, articles délicats).

## Déchargement

- Retirer les vêtements de la laveuse une fois que le programme est terminé. Des objets en métal comme les fermetures à glissière, les boutons-pression et les boucles peuvent rouiller si on les laisse longtemps dans le panier de la laveuse.
- Lorsqu'on retire le linge, vérifier de temps en temps sous le joint de couleur grise à l'avant de la cuve qu'il n'y ait pas de petits articles coincés.

## Chargement

### Suggestions de chargement

#### Vêtements de travail lourds

4 jeans	2 survêtements (bas)
4 pantalons	2 survêtements (haut)
4 chemises	

#### Serviettes

10 serviettes de bain	14 débarbouillettes
10 serviettes à main	

#### Charge mixte

3 draps (1 très grand, 2 simples)	9 tee-shirts
4 taies d'oreiller	9 shorts
3 chemises	10 mouchoirs
3 chemisiers	

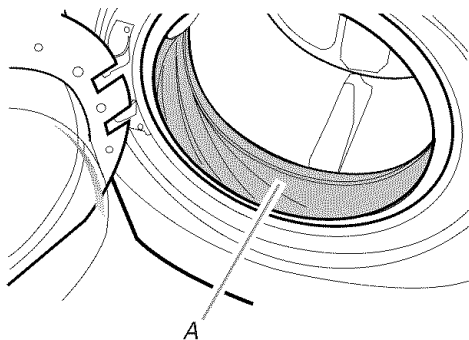
# ENTRETIEN DE LA LAVEUSE

## Nettoyage de la laveuse

La procédure d'entretien de la laveuse doit être effectuée chaque mois.

### Nettoyage du joint de la porte

1. Ouvrir la porte de la laveuse et retirer tout vêtement ou article de la laveuse.
2. Examiner le joint de couleur grise entre l'ouverture de la porte et le panier pour déceler des zones tachées. Tirer sur le joint pour examiner des zones situées en dessous. Ôter tout objet étranger.



A. Joint

3. Si des zones tachées sont décelées, essuyer ces zones en respectant la procédure indiquée ci-dessous.
  - a) Mélanger une solution diluée en utilisant  $\frac{3}{4}$  de tasse (177 mL) d'agent de blanchiment liquide et 1 gal. (3,8 L) d'eau tiède du robinet.
  - b) Essuyer la zone du joint avec la solution diluée, en utilisant un chiffon humide.
  - c) Laisser agir pendant 5 minutes.
  - d) Essuyer la zone complètement avec un chiffon sec et laisser l'intérieur de la laveuse sécher avec la porte ouverte.

#### IMPORTANT :

- Porter des gants en caoutchouc en cas de nettoyage pendant une période prolongée.
- Consulter les instructions du fabricant de l'agent de blanchiment pour une utilisation correcte.

### Procédure d'entretien de la laveuse

Cette laveuse comporte un programme spécial qui utilise des volumes d'eau plus importants et de la vapeur, en combinaison avec le nettoyant pour laveuse AFFRESH™ ou un agent de blanchiment liquide pour nettoyer à fond l'intérieur de la laveuse.

#### REMARQUES :

- Lire ces instructions complètement avant de débiter la procédure de nettoyage.
- Si nécessaire, le programme de nettoyage peut être interrompu en appuyant sur le bouton Pause/Cancel (pause/annulation). Cependant, ceci n'arrêtera pas immédiatement le programme. La machine affichera "int" (interruption) et poursuivra avec plusieurs rinçages et vidanges afin d'évacuer toute trace d'agent de blanchiment de la laveuse.

#### Début de la procédure

1. Ouvrir la porte de la laveuse et retirer tout vêtement ou article de la laveuse.
2. **Utilisation du nettoyant pour laveuse AFFRESH™ (recommandée) :**

Ajouter une pastille du nettoyant pour laveuse AFFRESH™ dans le tambour de la laveuse.

#### En cas d'utilisation d'un agent de blanchiment :

Ouvrir le tiroir distributeur et ajouter immédiatement  $\frac{2}{3}$  de tasse (160 mL) d'agent de blanchiment liquide au compartiment d'agent de blanchiment.

**REMARQUE :** Ne pas verser de détergent pour ce programme. L'utilisation de plus de  $\frac{2}{3}$  de tasse (160 mL) d'agent de blanchiment occasionnera, avec le temps, des dommages au produit.

3. Fermer la porte de la laveuse et le tiroir distributeur.
4. Sélectionner le programme CLEAN WASHER (nettoyage de la laveuse).
5. Appuyer sur START (mise en marche).

**REMARQUE :** Le panier pivotera, la porte se déverrouillera, se verrouillera à nouveau et enfin le programme se poursuivra.

- La machine se remplira d'eau et le panier pivotera alors que la laveuse effectuera un court programme de détection. Ceci prendra environ 3 minutes.
6. Le programme déterminera si des vêtements ou d'autres articles se trouvent dans la laveuse.
    - a) Si aucun article n'est détecté dans la laveuse, il passera à l'étape 7.
    - b) Si des articles sont détectés dans la laveuse, "rL" s'affichera et les témoins WASH (lavage) et CONTROLS LOCKED (commandes verrouillées) resteront allumés. La porte se déverrouillera. Ouvrir la laveuse et retirer tout vêtement du tambour de la laveuse.
      - Appuyer sur PAUSE/CANCEL (pause/annulation) pour annuler le code d'échec. Puis répéter les étapes 3, 4 et 5 pour remettre le programme en marche.

7. Une fois que le programme a commencé, laisser le programme s'achever.
8. À la fin du programme, laisser la porte légèrement ouverte, pour permettre une meilleure ventilation et le séchage de l'intérieur de la laveuse.

#### Toujours suivre la procédure qui suit pour préserver la fraîcheur de la laveuse

- Utiliser uniquement un détergent HE Haute efficacité.
- Laisser la porte légèrement ouverte après chaque programme pour permettre une meilleure ventilation et le séchage de l'intérieur de la laveuse.
- Répéter la procédure d'entretien chaque mois ou lorsque le témoin CLEAN WASHER REMINDER (nettoyage de la laveuse-rappel) s'allume.
- Si vous n'êtes pas prêt à effectuer le programme de nettoyage de la laveuse, mais que le témoin Clean Washer Reminder est allumé, appuyer sur le bouton Clean Washer Reset.
- Si la procédure ne permet pas de remédier suffisamment aux problèmes de fraîcheur de la machine, examiner les conditions d'installation et d'utilisation pour déceler d'autres causes.

## Nettoyage de l'extérieur

Utiliser une éponge ou un chiffon doux humide pour essuyer les renversements. Essuyer occasionnellement les surfaces externes de la laveuse pour maintenir son apparence d'appareil neuf. Utiliser un savon doux et de l'eau. Ne pas utiliser des produits abrasifs.

## Nettoyage du tiroir distributeur

Le tiroir distributeur est amovible pour en faciliter le nettoyage.

1. Déverrouiller le tiroir distributeur en appuyant sur le levier. Voir "Utilisation du distributeur". Retirer le tiroir.
2. Ôter les inserts (le siphon des compartiments de l'assouplissant de tissu et de l'agent de blanchiment et le sélecteur de détergent).
3. Laver les pièces sous l'eau du robinet.
4. Réinstaller les inserts et remettre le distributeur dans le tiroir.

## Tuyaux d'arrivée d'eau

Remplacer les tuyaux d'arrivée d'eau après 5 ans d'utilisation pour réduire le risque de défaillance intempestive. Inspecter périodiquement les tuyaux; les remplacer en cas de renflement, de déformation, de coupure et d'usure ou si une fuite se manifeste.

Lors du remplacement des tuyaux d'arrivée d'eau, inscrire la date du remplacement.

## Précautions à prendre avant les vacances, un entreposage ou un déménagement

Installer et remiser la laveuse à l'abri du gel. L'eau qui peut rester dans les tuyaux risque d'abîmer la laveuse en temps de gel. Si la laveuse doit faire l'objet d'un déménagement ou d'un remisage au cours d'une période de gel, préparer l'appareil pour l'hiver.

### Entretien en cas de non-utilisation ou de période de vacances :

Faire fonctionner la laveuse seulement lorsqu'on est présent. Si vous devez partir en vacances ou si vous comptez ne pas utiliser la laveuse pendant une période prolongée, vous devriez exécuter les opérations suivantes :

- Débrancher la laveuse ou déconnecter la source de courant électrique.
- Fermer l'alimentation d'eau de la laveuse. Ceci aide à éviter les inondations accidentelles (dues à une augmentation de la pression) quand vous êtes absent.
- Ouvrir légèrement la porte pour fournir une ventilation.

### Préparation de la laveuse pour l'hiver :

1. Verser 1 pinte (1 L) d'antigel pour véhicule récréatif dans le tambour.
2. Faire exécuter à la laveuse un programme Drain/Spin (vidange/essorage).
3. Débrancher la laveuse ou déconnecter la source de courant électrique.
4. Fermer les deux robinets d'eau.
5. Débrancher les tuyaux d'arrivée d'eau des robinets et les vider.

### Remise en marche de la laveuse :

1. Vidanger les canalisations d'eau. Reconnecter les tuyaux d'arrivée d'eau aux robinets. Ouvrir les deux robinets d'eau.

## ⚠ AVERTISSEMENT



### Risque de choc électrique

**Brancher sur une prise à 3 alvéoles reliée à la terre.**

**Ne pas enlever la broche de liaison à la terre.**

**Ne pas utiliser un adaptateur.**

**Ne pas utiliser un câble de rallonge.**

**Le non-respect de ces instructions peut causer un décès, un incendie ou un choc électrique.**

2. Brancher la laveuse ou reconnecter la source de courant électrique.
3. Faire exécuter à la laveuse le programme Normal/Casual (normal/tout-aller) avec la moitié de la quantité normale de détergent HE recommandée par le fabricant pour une charge moyenne, afin de nettoyer la laveuse et d'enlever l'antigel, le cas échéant.

### Transport de la laveuse :

1. Si la laveuse doit être déplacée en temps de gel, verser une pinte (1 L) d'antigel pour véhicule récréatif dans le tambour. Faire exécuter à la laveuse un programme Drain/Spin (vidange/essorage).
2. Débrancher le cordon d'alimentation.
3. Débrancher le tuyau de vidange du système de vidange et le fixer aux pinces du panneau arrière.
4. Fermer les deux robinets d'eau.
5. Déconnecter les tuyaux d'arrivée d'eau des robinets puis vidanger les tuyaux et les fixer au panneau arrière de la laveuse.

**IMPORTANT :** Faire un appel de service. Ne pas réutiliser les boulons de transport. La laveuse doit être transportée en position verticale. Pour éviter d'endommager la suspension et la structure de la laveuse, celle-ci doit être correctement réinstallée par un technicien certifié.

### Réinstallation de la laveuse

1. Suivre les "Instructions d'installation" pour choisir l'emplacement, régler l'aplomb de la laveuse et la raccorder.
2. Faire exécuter à la laveuse le programme Normal/Casual (normal/tout-aller) avec la moitié de la quantité normale de détergent HE recommandée par le fabricant pour une charge moyenne, afin de nettoyer la laveuse et d'enlever l'antigel, le cas échéant.

# DÉPANNAGE

Essayer d'abord les solutions suggérées ici ou visiter notre site Internet et la FAQ (foire aux questions) pour éviter possiblement le coût d'un appel de service.

Aux É.-U., [www.whirlpool.com/help](http://www.whirlpool.com/help) Au Canada, [www.whirlpool.ca](http://www.whirlpool.ca)

## La laveuse affiche un message code et un signal sonore est émis

### ■ "F20" (problème d'entrée d'eau - approvisionnement en eau nul ou insuffisant)

Sélectionner deux fois PAUSE/CANCEL (pause/annulation) pour annuler le programme. Débrancher la laveuse ou déconnecter la source de courant électrique.

#### Vérifier ce qui suit :

Les robinets d'eau sont-ils complètement ouverts?

Les tamis au point de raccordement des tuyaux d'arrivée d'eau à la laveuse sont-ils obstrués?

Les tuyaux d'arrivée d'eau sont-ils déformés?

Les tuyaux d'arrivée d'eau sont-ils gelés?

Brancher la laveuse ou reconnecter la source de courant électrique. Sélectionner à nouveau un programme et appuyer sur START (mise en marche). Si le problème persiste, faire un appel de service.

### ■ "F21" (problème de vidange)

Sélectionner deux fois PAUSE/CANCEL (pause/annulation) pour annuler le programme. Débrancher la laveuse ou déconnecter la source de courant électrique.

#### Vérifier ce qui suit :

Le tuyau de vidange est-il déformé?

Le tuyau de vidange est-il gelé?

Le tuyau de vidange est-il obstrué?

Le tuyau de vidange est-il à plus de 96" (2,4 m) au-dessus du plancher?

Brancher la laveuse ou reconnecter la source de courant électrique. Sélectionner à nouveau un programme et appuyer sur START (mise en marche). Si le problème persiste, faire un appel de service.

### ■ "SUD" (procédure contre la mousse)

Lorsqu'un excès de mousse est détecté, une procédure contre la mousse se met en marche automatiquement. Cette procédure élimine l'excès de mousse et permet un rinçage approprié de vos vêtements. "SUD" s'affiche durant la période de rinçage pour indiquer que la procédure contre la mousse a été activée. Utiliser uniquement des détergents HE (haute efficacité).

### ■ "F22" (verrouillage de la porte avant)

Sélectionner deux fois PAUSE/CANCEL (pause/annulation) pour annuler le programme.

#### Vérifier ce qui suit :

La porte de la laveuse est-elle bien fermée?

La porte doit être fermée complètement pour que la laveuse puisse fonctionner. La porte peut sembler fermée mais ne pas être verrouillée. Ouvrir la porte puis bien la refermer.

Avez-vous lavé une grosse charge?

Avant de fermer la porte de la laveuse, vérifier qu'aucun article ne dépasse de l'ouverture de la porte. Laisser suffisamment de place dans la laveuse afin que les vêtements puissent culbuter librement. Un panier surchargé peut empêcher la porte de fermer complètement. Réduire la charge si nécessaire.

Appuyer sur POWER (alimentation) puis sélectionner START (mise en marche).

### ■ Codes "F" autres que F20, F21 ou F22

Sélectionner deux fois PAUSE/CANCEL (pause/annulation) pour annuler le programme. Sélectionner DRAIN/SPIN (vidange/essorage) en cas d'excès d'eau dans la laveuse.

Sélectionner à nouveau un programme et appuyer sur START (mise en marche). Si le problème persiste, faire un appel de service.

## La laveuse ne se met pas en marche

### ⚠ AVERTISSEMENT



#### Risque de choc électrique

**Brancher sur une prise à 3 alvéoles reliée à la terre.**

**Ne pas enlever la broche de liaison à la terre.**

**Ne pas utiliser un adaptateur.**

**Ne pas utiliser un câble de rallonge.**

**Le non-respect de ces instructions peut causer un décès, un incendie ou un choc électrique.**

### ■ Vérifier ce qui suit :

Le cordon d'alimentation est-il branché dans une prise à 3 alvéoles reliée à la terre?

La porte de la laveuse est-elle bien fermée?

Un programme a-t-il été sélectionné sans que START (mise en marche) ait été sélectionné pendant 1 seconde?

La porte a-t-elle été ouverte après l'achèvement du dernier programme?

---

## La laveuse ne se remplit pas, ne lave pas ou ne rince pas

---

### ■ Vérifier ce qui suit :

Le cordon d'alimentation est-il branché dans une prise à 3 alvéoles reliée à la terre?

La prise est-elle alimentée par le courant électrique?  
Vérifier la source de courant électrique ou appeler un électricien.

Les robinets d'eau chaude et d'eau froide sont-ils ouverts?

Le tuyau d'arrivée d'eau est-il déformé?

Les tamis de la valve d'arrivée d'eau sont-ils obstrués?  
Couper l'arrivée d'eau et retirer les tuyaux d'arrivée d'eau de la laveuse. Ôter toute pellicule ou particules accumulées.  
Réinstaller les tuyaux, ouvrir l'arrivée d'eau et vérifier s'il y a des fuites.

---

## La laveuse s'arrête

---

### ■ Vérifier ce qui suit :

Le cordon d'alimentation est-il branché dans une prise à 3 alvéoles reliée à la terre?

La prise est-elle alimentée par le courant électrique?  
Vérifier la source de courant électrique ou appeler un électricien.

Un fusible est-il grillé ou le disjoncteur s'est-il déclenché?  
Remplacer le fusible ou réenclencher le disjoncteur. Si le problème persiste, appeler un électricien.

Utilisez-vous un câble de rallonge?  
Ne pas utiliser un câble de rallonge.

---

## La laveuse n'effectue pas de vidange ou d'essorage

---

### ■ Le tuyau de vidange est-il obstrué ou l'extrémité du tuyau de vidange se trouve-t-elle à plus de 96" (2,4 m) au-dessus du plancher?

### ■ La tension est-elle basse?

Vérifier la source de courant électrique ou appeler un électricien. Ne pas utiliser un câble de rallonge.

### ■ La procédure contre la mousse est-elle activée?

Le programme se terminera une fois que l'excès de mousse sera éliminé.

### ■ La charge est-elle équilibrée?

Un seul article ou un article encombrant peuvent provoquer un déséquilibre. Ajouter des articles ou redistribuer la charge.

---

## La laveuse fait du bruit ou vibre.

---

### ■ La laveuse est-elle d'aplomb?

La laveuse doit être d'aplomb. Les quatre pieds doivent être installés correctement et les écrous doivent être serrés contre la caisse de la laveuse.

### ■ La laveuse fait-elle un bruit de gargouillement ou de bourdonnement?

Lorsque l'eau est vidangée de la laveuse, on peut entendre le bruit de la succion de l'air par la pompe. Ceci se produit à la fin de la vidange. Ceci est normal.

### ■ Lavez-vous des articles avec agrafes en métal, boucles ou fermetures à glissière?

Vous pouvez entendre le bruit des articles métalliques touchant le tambour de la laveuse. Ceci est normal.

---

### ■ La laveuse est-elle installée sur un plancher robuste et solide?

Se référer aux "Instructions d'installation" pour les exigences relatives au plancher. Le bruit et les vibrations peuvent être réduits en plaçant une planche de contreplaqué de ¾" (19,1 mm) sous la laveuse. Le contreplaqué peut se prolonger en dessous de la laveuse et de la sècheuse pour les maintenir à des hauteurs égales.

---

## La laveuse fuit

---

### ■ Vérifier la plomberie du domicile pour voir s'il y a des fuites.

---

## Distributeurs obstrués ou ayant une fuite

---

### ■ Les produits de lessive sont-ils dans le bon compartiment du distributeur?

Verser les quantités appropriées de détergent, d'assouplissant de tissu ou d'agent de blanchiment au chlore liquide dans le compartiment adéquat. Verser l'agent de blanchiment en poudre ou liquide sans danger pour les couleurs dans le compartiment du détergent Haute efficacité (HE). Veiller à utiliser un agent de blanchiment en poudre sans danger pour les couleurs avec un détergent en poudre approprié ou un agent de blanchiment liquide sans danger pour les couleurs avec un détergent liquide approprié.

### ■ Le sélecteur de type de détergent est-il correctement installé?

Le sélecteur doit être en position basse en cas d'utilisation de détergent liquide et en position haute en cas d'utilisation de détergent en poudre.

---

## Mauvaises odeurs de la laveuse

---

### ■ Voir "Nettoyage de la laveuse".

### ■ Utilisez-vous le nettoyant pour laveuse AFFRESH™ régulièrement?

Le nettoyant pour laveuse élimine et prévient les résidus à l'origine d'odeurs dans toutes les laveuses Haute efficacité. Pour les laveuses où des odeurs sont présentes, utiliser 3 pastilles au lieu d'1 pastille. Une fois le programme CLEAN WASHER terminé, enlever les résidus si nécessaire.

### ■ Utilisez-vous un détergent HE?

L'utilisation d'un détergent non HE peut provoquer le dépôt d'un film résiduel à l'origine d'odeurs.

### ■ Avez-vous laissé la porte ouverte après utilisation?

Cette laveuse dispose d'une fermeture étanche pour éviter les fuites d'eau. Pour éviter la formation d'odeurs, laisser la porte ouverte afin de permettre à la laveuse de sécher entre les utilisations.

---

## Charge trop mouillée

---

### ■ Avez-vous utilisé le bon programme pour la charge à laver?

Choisir un programme avec une vitesse d'essorage plus élevée.

### ■ Avez-vous lavé un article seul, des articles encombrants ou avez-vous surchargé la laveuse?

Le lavage d'un seul article ou d'un article encombrant, ou une charge excessive peuvent provoquer un déséquilibre. Ajouter des articles ou essayer de distribuer uniformément la lessive mouillée dans le tambour et commencer le programme DRAIN/SPIN (vidange/essorage). Si la lessive est encore mouillée, retirer la moitié de la charge de la laveuse et essayer de nouveau.

---



---

## Résidus ou charpie sur le linge

---

- **Avez-vous versé le détergent dans le distributeur?**  
Pour des résultats optimaux, verser le détergent dans le compartiment de détergent. Ne pas verser le détergent dans le tambour de la laveuse.
- **Avez-vous effectué le tri correctement?**  
Séparer les articles causant la charpie (serviettes, chenille) des articles qui retiennent la charpie (velours côtelé, synthétiques). Trier également en fonction des couleurs.
- **Avez-vous surchargé la laveuse?**  
Ne pas surcharger la laveuse. La laveuse peut être bien remplie mais le linge ne doit pas être tassé. La charge doit être équilibrée. De la charpie peut être coincée dans la charge s'il y a surcharge.
- **Vérifier ce qui suit :**  
Avez-vous laissé du papier ou des mouchoirs en papier dans les poches?
- **Avez-vous utilisé suffisamment de détergent HE?**  
Utiliser suffisamment de détergent pour enlever la charpie et la maintenir en suspension. Utiliser uniquement un détergent HE. Suivre les instructions du fabricant afin de déterminer la quantité de détergent à utiliser.
- **La température de l'eau est-elle inférieure à 60°F (15,6°C)?**  
Une eau de lavage dont la température est inférieure à 60°F (15,6°C) peut ne pas dissoudre complètement le détergent.
- **Utilisez-vous un programme de lavage à basse vitesse?**  
Les détergents en poudre peuvent ne pas se dissoudre correctement durant un programme à basse vitesse. Pour obtenir de meilleurs résultats, utiliser un détergent liquide pour les cycles à basse vitesse tels que Delicate (articles délicats), Hand Washables (articles lavables à la main).

---

## Présence de taches sur le linge

---

- **Avez-vous versé le détergent dans le distributeur?**  
Pour des résultats optimaux, verser le détergent dans le compartiment de détergent. Ne pas verser le détergent dans le tambour de la laveuse.
- **Avez-vous utilisé suffisamment de détergent HE?**  
Utiliser suffisamment de détergent pour enlever la saleté et la maintenir en suspension. Utiliser uniquement un détergent HE. Suivre les recommandations du fabricant pour déterminer la quantité de détergent à utiliser.
- **La présence de fer (rouille) dans l'eau est-elle supérieure à la moyenne?**  
Vous aurez peut-être besoin d'installer un filtre à fer.
- **Avez-vous bien trié la charge?**  
Séparer les articles de teinte foncée des articles blancs ou clairs.
- **Avez-vous déchargé la laveuse immédiatement?**  
Pour éviter le transfert de teinture, décharger la laveuse dès qu'elle s'arrête.
- **Avez-vous utilisé une boule distributrice d'assouplissant de tissu?**  
Les boules distributrices ne fonctionnent pas correctement avec cette laveuse. Verser un assouplissant de tissu liquide dans le compartiment d'assouplissant de tissu.
- **Avez-vous utilisé un détergent en poudre pour un programme à basse vitesse?**  
Envisager l'utilisation d'un détergent liquide.

---

## Linge froissé

---

- **Avez-vous déchargé la laveuse immédiatement?**  
Décharger la laveuse dès qu'elle s'arrête.
- **Avez-vous utilisé le bon programme pour la charge à laver?**  
Utiliser le programme Delicate (articles délicats), Hand Washables (articles lavables à la main) ou un autre programme avec essorage à basse vitesse pour réduire le froissement.
- **Avez-vous surchargé la laveuse?**  
La charge de lavage doit être équilibrée et pas surchargée. Les charges doivent pouvoir se déplacer librement durant le lavage.

---

## Blanc grisâtre, couleurs défraîchies

---

- **Avez-vous bien trié la charge?**  
Le transfert de teinture peut se produire lors du mélange d'articles blancs et de couleur dans une même charge. Séparer les articles de teinte foncée des articles blancs ou clairs.
- **La température de lavage était-elle trop basse?**  
Utiliser les lavages à l'eau tiède ou chaude si celle-ci est sans danger pour la charge. S'assurer que le système d'eau chaude est adéquat pour fournir un lavage à l'eau chaude.
- **Avez-vous utilisé suffisamment de détergent, ou avez-vous une eau dure?**  
Utiliser plus de détergent pour laver la saleté intense à l'eau froide ou dure.

---

## Programme trop long

---

- **Avez-vous sélectionné l'option de nettoyage en profondeur avec vapeur?**  
Dans ce cas, le chauffe-eau et le générateur de vapeur seront activés pour fournir le rendement de nettoyage maximal. La durée du programme normal sera prolongée pour chauffer l'eau. Cette durée supplémentaire dépendra du volume de la charge et de la température de l'eau à son entrée dans la laveuse.
- **L'eau chaude au robinet est-elle réglée à la température recommandée de 120°F (49°C)?**  
Une température d'eau chaude inférieure au réglage recommandé prolongera la durée de chauffage.
- **Le mot "SUD" est-il affiché?**  
Un excès de mousse a été détecté et une procédure contre la mousse a commencé. Cette procédure prolongera la durée initiale du programme.
- **La charge a-t-elle causé un déséquilibre?**  
Lorsqu'il y a un trop grand déséquilibre, une procédure de rééquilibrage se met en marche pour redistribuer la charge. Pendant la procédure de rééquilibrage, l'affichage de la durée se mettra en pause jusqu'à ce que cette activité soit terminée, puis se réactivera pour le reste du programme.
- **Avez-vous lavé une grande charge en utilisant un programme délicat?**  
Avec les programmes Delicate (articles délicats), Hand Washables (articles lavables à la main), vous devez utiliser des petites charges. Ceci assure un lavage délicat de vos vêtements sans augmenter les durées de programme.

---

## Porte verrouillée à la fin du programme de lavage

---

- **Toute l'eau s'est-elle écoulée de la laveuse durant l'essorage?**  
Sélectionner DRAIN/SPIN (vidange/essorage) pour enlever toute eau restée dans la laveuse. La porte de la laveuse se déverrouillera à la fin de la vidange.

# ASSISTANCE OU SERVICE

Avant de téléphoner pour assistance ou service, veuillez vérifier "Dépannage". Ceci pourrait vous éviter le coût d'une visite de service. Si vous avez encore besoin d'aide, veuillez suivre les instructions ci-dessous.

Lors de l'appel, il faut connaître la date d'achat et les numéros de modèle et de série complets de votre appareil ménager. Ces renseignements nous aideront à mieux répondre à votre demande.

## Si vous avez besoin de pièces de rechange

Si vous avez besoin de commander des pièces de rechange, nous vous recommandons d'utiliser seulement des pièces FSP® spécifiées par l'usine. Ces pièces conviendront et fonctionneront bien parce qu'elles sont fabriquées selon les mêmes spécifications précises utilisées pour construire chaque nouvel appareil électroménager WHIRLPOOL®.

### Pour localiser des pièces de rechange FSP® dans votre région :

Aux États-Unis, téléphoner au Centre pour l'eXpérience de la clientèle au **1-800-253-1301**, ou téléphoner à votre Centre de service désigné le plus proche.

Au Canada, composer le **1-800-807-6777**, ou appeler votre Centre de service désigné le plus proche.

## Aux États-Unis

Téléphoner au Centre pour l'eXpérience de la clientèle de Whirlpool sans frais au : **1-800-253-1301**.

### Nos consultants fournissent l'assistance pour :

- Caractéristiques et spécifications sur notre gamme complète d'appareils ménagers
- Renseignements d'installation
- Procédés d'utilisation et d'entretien
- Vente d'accessoires et de pièces de rechange
- Assistance spécialisée aux clients (langue espagnole, malentendants, malvoyants, etc.)
- Les références aux concessionnaires, compagnies de service de réparation et distributeurs de pièces de rechange locaux

Les techniciens de service désignés par Whirlpool sont formés pour remplir la garantie des produits et fournir un service après garantie partout aux États-Unis.

Pour localiser la compagnie de service désignée par Whirlpool dans votre région, vous pouvez consulter les Pages jaunes de votre annuaire téléphonique.

### Pour plus d'assistance

Si vous avez besoin de plus d'assistance, vous pouvez écrire à Whirlpool Corporation en soumettant toute question ou tout problème à :

Whirlpool Brand Home Appliances  
Customer eXperience Center  
553 Benson Road  
Benton Harbor, MI 49022-2692

Dans votre correspondance, veuillez indiquer un numéro de téléphone où l'on peut vous joindre dans la journée.

## Au Canada

Téléphoner sans frais au Centre d'interaction avec la clientèle de Whirlpool Canada LP au : **1-800-807-6777**.

### Nos consultants fournissent l'assistance pour :

- Procédés d'utilisation et d'entretien
- Vente d'accessoires et de pièces de rechange
- Caractéristiques et spécifications sur toute notre gamme d'appareils électroménagers.
- Les références aux concessionnaires, compagnies de service de réparation et distributeurs de pièces de rechange locaux. Les techniciens de service désignés par Whirlpool Canada LP sont formés pour satisfaire la garantie des produits et fournissent le service après la garantie, n'importe où au Canada.

### Pour plus d'assistance

Si vous avez besoin de plus d'assistance, vous pouvez écrire à Whirlpool Canada LP en soumettant toute question ou tout problème au :

Centre d'interaction avec la clientèle  
Whirlpool Canada LP  
1901 Minnesota Court  
Mississauga, Ontario L5N 3A7

Veuillez indiquer dans votre correspondance un numéro de téléphone où l'on peut vous joindre durant la journée.

## Accessoires

Vous pouvez faciliter l'utilisation de votre laveuse avec ces accessoires de première qualité.

Pour vous informer au sujet des autres articles de qualité ou pour commander, composez le **1-800-901-2042** ou consultez le site **www.applianceaccessories.com**. Au Canada, composez le **1-800-807-6777** ou consultez le site Internet **www.whirlpoolparts.ca**.

Produit Numéro	Accessoire
8212638RP	Tuyau de remplissage compact de 6 pi (1,8 m) en nylon tressé, coude à 90°, raccords hydro-blue en acier. Plus sécuritaire que l'acier inoxydable. (lot de 2)
8212487RP	Tuyau de remplissage de 5 pi (1,5 m) en nylon tressé. Plus sécuritaire que l'acier inoxydable. (lot de 2)
8212526	Plateau d'égouttement de la laveuse, convient à tous les modèles
31682	Produit de nettoyage polyvalent pour appareils ménagers
1903WH	Casier de rangement de fournitures de buanderie Laundry supply storage cart
W10135699	Nettoyant pour laveuse AFFRESH™
8541503	Ensemble de superposition DUET®

# GARANTIE DES GROS APPAREILS MÉNAGERS WHIRLPOOL CORPORATION

## GARANTIE LIMITÉE

Pendant un an à compter de la date d'achat, lorsque ce gros appareil ménager est utilisé et entretenu conformément aux instructions jointes à ou fournies avec le produit, Whirlpool Corporation ou Whirlpool Canada LP (ci-après désignées "Whirlpool") paiera pour les pièces spécifiées par l'usine et la main-d'œuvre pour corriger les vices de matériaux ou de fabrication. Le service doit être fourni par une compagnie de service désignée par Whirlpool. Cette garantie limitée est valide uniquement aux États-Unis ou au Canada et s'applique exclusivement lorsque l'appareil est utilisé dans le pays où il a été acheté. À l'extérieur du Canada et des 50 États des États-Unis, cette garantie limitée ne s'applique pas. Une preuve de la date d'achat original est exigée pour obtenir un service dans le cadre de la présente garantie limitée.

## ARTICLES EXCLUS DE LA GARANTIE

### La présente garantie limitée ne couvre pas :

1. Les visites de service pour rectifier l'installation du gros appareil ménager, montrer à l'utilisateur comment utiliser l'appareil, remplacer ou réparer des fusibles ou rectifier le câblage ou la plomberie du domicile.
2. Les visites de service pour réparer ou remplacer les ampoules électriques de l'appareil, les filtres à air ou les filtres à eau. Les pièces consommables ne sont pas couvertes par la garantie.
3. Les réparations lorsque le gros appareil ménager est utilisé à des fins autres que l'usage unifamilial normal ou lorsque les instructions d'installation et/ou les instructions de l'opérateur ou de l'utilisateur fournies ne sont pas respectées.
4. Les dommages imputables à : accident, modification, usage impropre ou abusif, incendie, inondation, actes de Dieu, installation fautive ou installation non conforme aux codes d'électricité ou de plomberie, ou l'utilisation de pièces consommables ou de produits nettoyants non approuvés par Whirlpool.
5. Les défauts apparents, notamment les éraflures, les bosses, fissures ou tout autre dommage au fini du gros appareil ménager, à moins que ces dommages soient dus à des vices de matériaux ou de fabrication et soient signalés à Whirlpool dans les 30 jours suivant la date d'achat.
6. Toute perte d'aliments due à une défaillance du réfrigérateur ou du congélateur.
7. Les coûts associés au transport du gros appareil ménager du domicile pour réparation. Ce gros appareil ménager est conçu pour être réparé à domicile et seul le service à domicile est couvert par la présente garantie.
8. Les réparations aux pièces ou systèmes résultant d'une modification non autorisée faite à l'appareil.
9. Les frais de transport pour le service d'un produit si votre gros appareil est situé dans une région éloignée où un service d'entretien Whirlpool autorisé n'est pas disponible.
10. La dépose et la réinstallation de votre gros appareil si celui-ci est installé dans un endroit inaccessible ou n'est pas installé conformément aux instructions d'installation fournies.
11. Les gros appareils ménagers dont les numéros de série et de modèle originaux ont été enlevés, modifiés ou qui ne peuvent pas être facilement identifiés. La présente garantie est nulle si le numéro de série d'usine a été modifié ou enlevé du gros appareil ménager.

Le coût d'une réparation ou des pièces de rechange dans le cadre de ces circonstances exclues est à la charge du client.

## CLAUSE D'EXONÉRATION DE RESPONSABILITÉ AU TITRE DES GARANTIES IMPLICITES; LIMITATION DES RECOURS

LE SEUL ET EXCLUSIF RECOURS DU CLIENT DANS LE CADRE DE LA PRÉSENTE GARANTIE LIMITÉE CONSISTE EN LA RÉPARATION PRÉVUE CI-DESSUS. LES GARANTIES IMPLICITES, Y COMPRIS LES GARANTIES APPLICABLES DE QUALITÉ MARCHANDE ET D'APTITUDE À UN USAGE PARTICULIER, SONT LIMITÉES À UN AN OU À LA PLUS COURTE PÉRIODE AUTORISÉE PAR LA LOI. WHIRLPOOL N'ASSUME AUCUNE RESPONSABILITÉ POUR LES DOMMAGES FORTUITS OU INDIRECTS. CERTAINES JURIDICTIONS NE PERMETTENT PAS L'EXCLUSION OU LA LIMITATION DES DOMMAGES FORTUITS OU INDIRECTS, OU LES LIMITATIONS DE LA DURÉE DES GARANTIES IMPLICITES DE QUALITÉ MARCHANDE OU D'APTITUDE À UN USAGE PARTICULIER, DE SORTE QUE CES EXCLUSIONS OU LIMITATIONS PEUVENT NE PAS S'APPLIQUER DANS VOTRE CAS. CETTE GARANTIE VOUS CONFÈRE DES DROITS JURIDIQUES SPÉCIFIQUES ET VOUS POUVEZ ÉGALEMENT JOUIR D'AUTRES DROITS QUI PEUVENT VARIER D'UNE JURIDICTION À UNE AUTRE.

À l'extérieur du Canada et des 50 États des États-Unis, cette garantie ne s'applique pas. Contactez votre marchand Whirlpool autorisé pour déterminer si une autre garantie s'applique.

Si vous avez besoin de service, voir d'abord la section "Dépannage" du Guide d'utilisation et d'entretien. Après avoir vérifié la section "Dépannage", de l'aide supplémentaire peut être trouvée en vérifiant la section "Assistance ou service" ou en appelant Whirlpool. Aux É.-U., composer le **1-800-253-1301**. Au Canada, composer le **1-800-807-6777**. 9/07

**Conservez ce manuel et votre reçu de vente ensemble pour référence ultérieure. Pour le service sous garantie, vous devez présenter un document prouvant la date d'achat ou d'installation.**

Inscrivez les renseignements suivants au sujet de votre gros appareil ménager pour mieux vous aider à obtenir assistance ou service en cas de besoin. Vous devrez connaître le numéro de modèle et le numéro de série au complet. Vous trouverez ces renseignements sur la plaque signalétique située sur le produit.

Nom du marchand \_\_\_\_\_

Adresse \_\_\_\_\_

Numéro de téléphone \_\_\_\_\_

Numéro de modèle \_\_\_\_\_

Numéro de série \_\_\_\_\_

Date d'achat \_\_\_\_\_

**461970240781 / W10158196A**  
**SP PN 461970240791 / W10158197A**

© 2007 Whirlpool Corporation.  
All rights reserved.  
Tous droits réservés.

® Registered Trademark/TM Trademark of Whirlpool, U.S.A.,  
Whirlpool Canada LP licensee in Canada  
©NSF is a registered trademark of NSF International  
© Marque déposée/TM Marque de commerce de Whirlpool, U.S.A.,  
Emploi sous licence par Whirlpool Canada LP au Canada  
©NSF est une marque déposée de NSF International



11/07  
Printed in Germany or Mexico  
Imprimé en Allemagne ou au Mexique