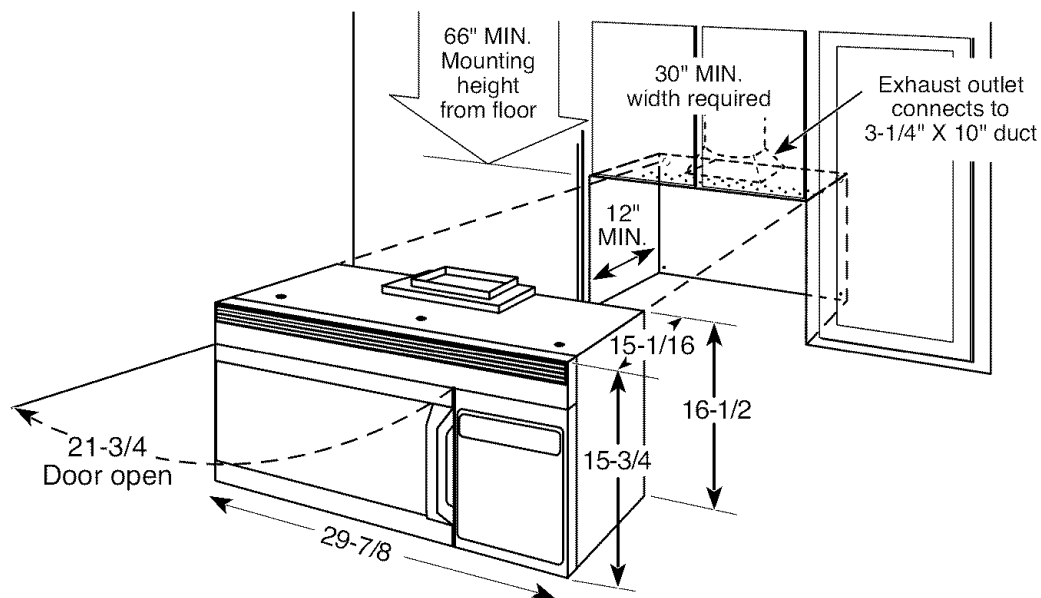


# HOTPOINT®

## RVM1535DMWW/CC/BB – Hotpoint® 1.5 Cu. Ft. Over-the-Range Microwave Oven

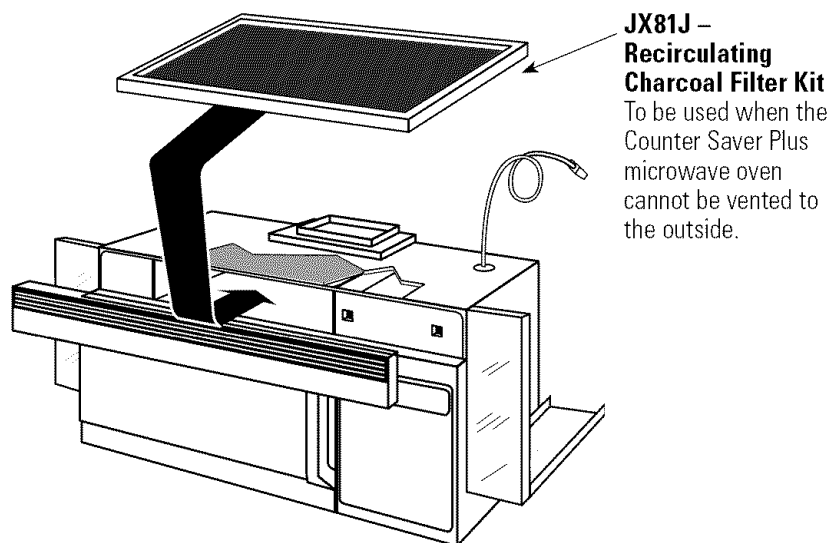
### Dimensions (in inches)



**Important Information:** When installing the microwave oven over a range, allow minimum of 2" from bottom of Counter Saver Plus microwave oven to top of range backguard to allow for removal of light covers.

**Installation Information:** This information is not intended to be used for installing unit described. Before installing, consult installation instructions packed with product/kit for current dimensional data.

### Optional Accessories (Available at additional cost)



**Ventilation Options:** The microwave oven is designed for adaptation for the following three types of ventilation:

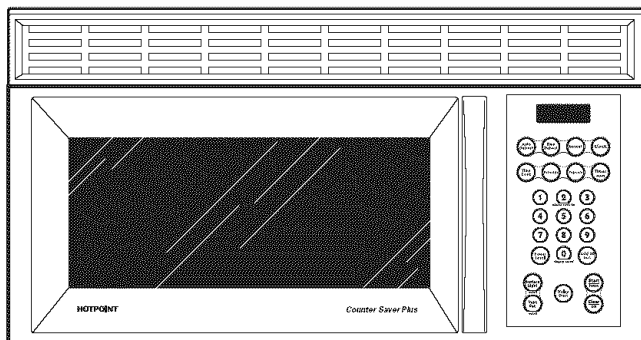
**Outside Exhaust** (Vertical – Delivered from factory in vertical position)

**Outside Exhaust** (Horizontal)

**Recirculating** (Non-vented ductless)

# HOTPOINT®

## RVM1535DMWW/CC/BB – Hotpoint® 1.5 Cu. Ft. Over-the-Range Microwave Oven



### Features and Benefits

- 1.5 cu. ft. Oven Cavity – 950 Watts (IEC-705 test procedure)
- Turntable – Continually rotates food to ensure even cooking
- Auto and Time Defrost – Automatically defrosts for a specified amount of time
- Time Cook I & II – Allows you to set two time-controlled cooking functions within one program
- Express Cook Pads – A shortcut to set cook times from 1 to 6 minutes
- Two-Speed, 200-CFM Venting System – Quickly removes smoke and steam from the cooktop
- Model RVM1535DMBB – Black
- Model RVM1535DMCC – Bisque
- Model RVM1535DMWW – White