

# OWNER'S MANUAL

**SEARS**



MODEL NO.  
308.711090

• safety rules • assembly  
care • replacements parts

## FOUR ROOM DOME TENT

**CAUTION: READ ALL INSTRUCTIONS  
CAREFULLY BEFORE USE AND RETAIN  
THEM FOR FUTURE REFERENCE.**



# SAFETY

## WARNING!

**KEEP ALL FLAME AND HEAT SOURCES AWAY FROM THIS TENT FABRIC.** This tent is made with flame resistant fabric which meets CPAI-84 specifications. **IT IS NOT FIRE-PROOF.** The fabric will burn if left in continuous contact with any flame source. The application of any foreign substance to the tent fabric may render the flame-resistant properties ineffective.

### DO NOT...

1. Do not pitch tent near open fire.
2. Do not leave campfire unattended.
3. Do not leave children unattended inside a tent.
4. Do not use heating, lighting or cooking equipment with open flames in or near tents.
5. Do not use other than recommended water repellent compounds on your tent.
6. Do not spray the tent with insecticide.
7. Never use fuel burning, oxygen consuming devices (i.e. heaters, lanterns, cooking stoves or other flame sources) inside your tent.
8. Do not store tent on concrete floor.

### DO...

1. Always extinguish campfire before leaving area.
2. Exercise care when using electricity and lighting in and near tents.
3. Make certain your tent is properly ventilated in all weather conditions. In extreme weather conditions, snow could obstruct airflow and cause asphyxiation unless cleared frequently.
4. Anchor your tent securely to provide additional security from changing climatic conditions. Snow pegs, skis and/or heavy rocks may be necessary to supplement tent stakes and guy cords.
5. Take your tent down and store properly after camping.

# CARE

**Do not leave your tent set up in direct sunlight longer than necessary.**

The polyester fabric in your Hillary tent provides much greater ultraviolet resistance than nylon tents but for maximum life of product, avoid set up in sunlight for prolonged periods of time.

Your tent is water repellent. However, it is not waterproof. During heavy rain, some leakage may occur. Keep objects from touching the inside of the tent. Such objects may cause leakage at point of contact. If seam leakage occurs, it can be controlled by applying a seam sealer compound.

Although our tents and screen houses are constructed to rigid specifications, periods of wind or rain soaking the ground may loosen the stakes and cause the frame to sink into the ground. This will weaken the rigidity of the overall structure. Water pockets may also form in the roof if the unit is not assembled taut, possibly causing broken frames and torn fabric.

Make certain your tent is clean and dry before storage. Do not store on concrete floor.

## FULL ONE YEAR WARRANTY

If, within one year from the date of purchase, this tent fails due to defect in material or workmanship, warranty service is available by **RETURNING IT TO THE NEAREST SEARS STORE/SERVICE CENTER** in the United States and Sears will repair it, free of charge.

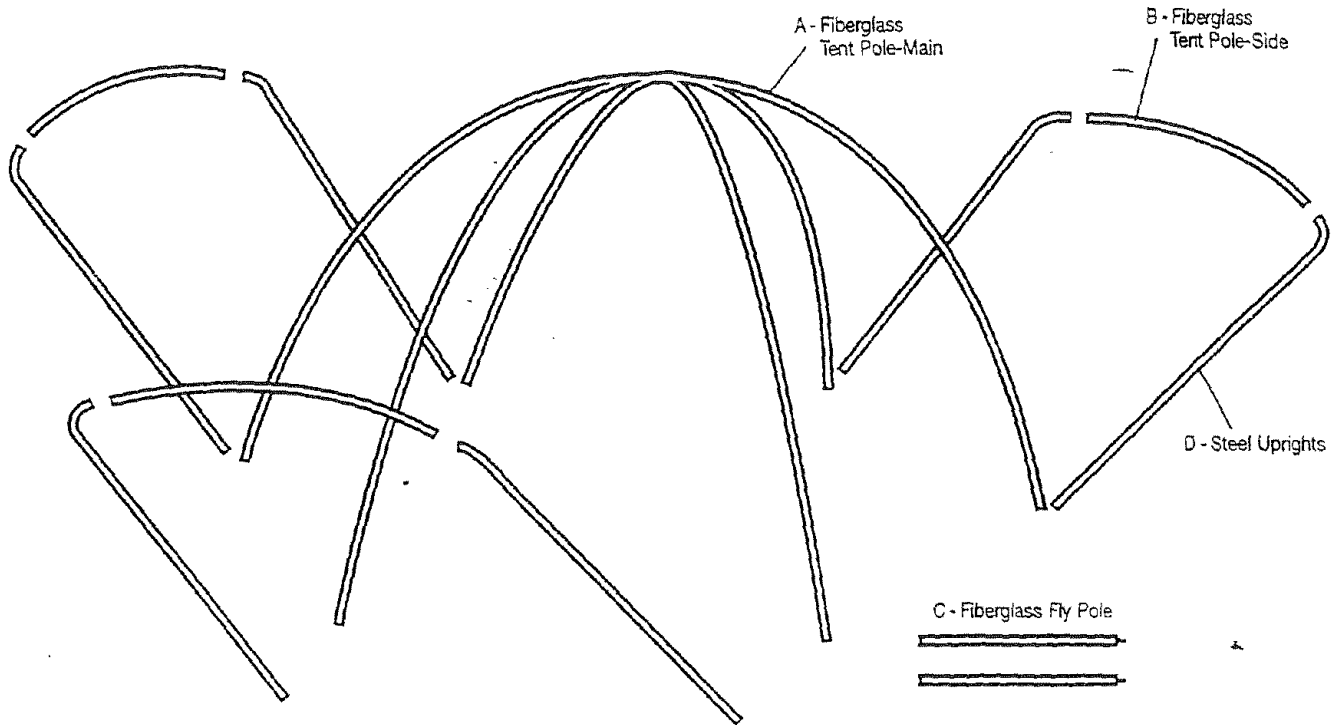
This warranty gives you specific legal rights, and you may also have other rights which vary from state to state.

**SEARS, ROEBUCK AND CO.**  
Department 817 WA  
Hoffman Estates, IL 60179 USA



# REPLACEMENT PARTS

*Congratulations on your purchase of a Sir Edmund Hillary tent,  
an exclusive brand of Sears.*



## HOW TO ORDER REPLACEMENT PARTS FOR YOUR NEW DOME TENT

The Model Number for your tent will be found on the convenience pocket sewn on the inside of the tent. Always mention the Model Number in all correspondence regarding your Sears Tent and when ordering replacement parts.

All parts listed herein may be ordered from any Sears, Roebuck and Co. retail store or by calling toll free (1-800-366-7278). For questions concerning your tent, call 1-800-325-8368.

### WHEN ORDERING REPAIR PARTS, ALWAYS GIVE THE FOLLOWING INFORMATION:

1. Part Number
2. Parts Description
3. Model Number
4. Name of Item

If the parts you need are not stocked locally, your order will be electronically transmitted to a Sears Repair Parts Distribution Center for expedited handling.

KEY NO.	DESCRIPTION	MODEL NO. 711090	MODEL NO.	QUANTITY REQUIRED
		PART NO.	PART NO.	
A	Fiberglass Tent Pole - Main	00-0034		3
B	Fiberglass Tent Pole - Side	00-0035		3
C	Fiberglass Fly Pole	00-0036		2
D	Steel Uprights	00-0037B		6
	Complete Frame	57110900		1
	Dome Bag			1

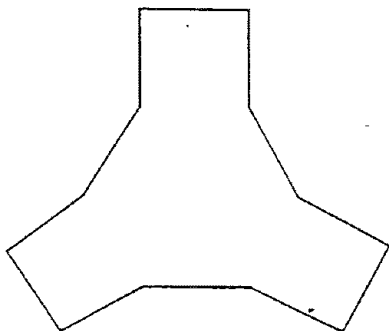
# ASSEMBLY INSTRUCTIONS

**IMPORTANT:** We advise you to assemble the tent once before going camping to become familiar with the assembly of the tent. For this model, it is recommended two people be involved in the set up.

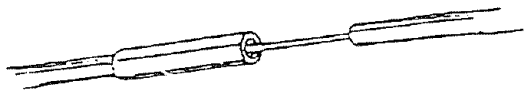
**NOTE:** Please look at the replacement parts diagram to see how your frame is assembled.

- To prolong the life of the tent floor, select a level, clean area for the campsite.
- To prevent damage to the zipper, unzip the doors to allow air to enter the tent.

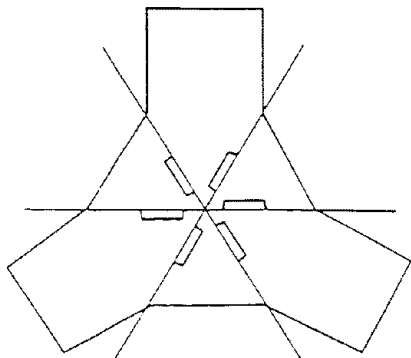
**STEP 1:** Spread tent out flat, floor side down. Unzip doors.



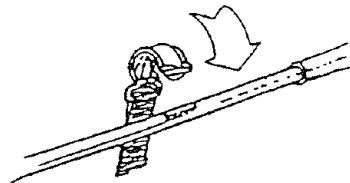
**STEP 2:** Extend the fiberglass frame poles by pulling out each section and placing ends into the metal ferrules. You will have eight fiberglass frame poles. The three longest pole sections with metal ferrules on each end are the main poles. The next three longest fiberglass poles, with a metal ferrule on each end are for the side rooms. The two remaining poles, with a plastic end cap on one end and a pointed metal tip on the opposite end are to be used for the awning of the tent fly. Extend the six chaincorded steel poles to make up the six side room uprights.



**STEP 3:** There are six pole sleeves located on the roof of the tent. While making sure sleeves are in line with each other, slide an end of each of the three longest pole sections through the sleeves that are opposite each other. Straighten the sleeves along the fiberglass sections. Position poles so that they cross at the center roof of the tent.

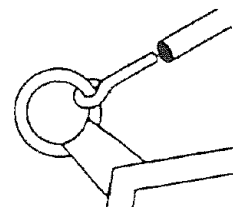


**STEP 4:** Locate the corner pin and rings at the base of the tent and insert one of the pins into the end of the corresponding pole. You will notice there are two pins attached to the rings at the floor of the tent. One pin is for the main room tent pole and the other pin will be used for the side room pole. Gently flex the fiberglass pole into an arch and with a person on the diagonally opposite corner, insert one of the pins into the other end of the pole. Repeat for the second and third poles. Tie the three poles into place with the fabric tie located at the center tent roof. Clip plastic hooks to the fiberglass frame sections.



**STEP 5:** Insert metal stakes through the rings located at each corner of the main tent room. Stake down main room by hammering each stake into the ground at a 45° angle with a hammer or mallet, making certain to pull the main room out tight, so there are no wrinkles in the inside tent floor.

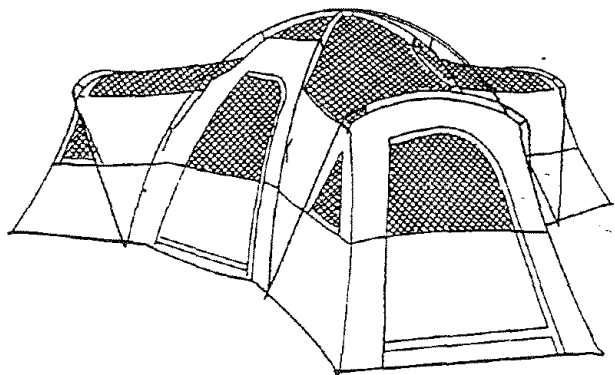
**STEP 6:** To form side rooms, slide the fiberglass side room poles through the sleeves located at the roof of each of the three side rooms. Locate two of the six steel uprights and with a person on each end of the side room, taking a steel upright, insert the end of the fiberglass side room pole into the bent end of the steel upright. Again, with a person holding the steel uprights, gently flex the fiberglass pole and insert the metal pin into each end of the steel upright. Repeat for the remaining two side rooms.



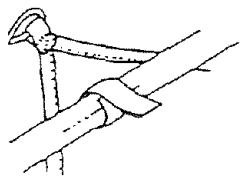
# ASSEMBLY INSTRUCTIONS

**STEP 7:** Stake down the tent side rooms by inserting plastic tent stakes through the webbing stake loops and hammering stakes into the ground at a 45° angle, making sure the tent is pulled out even and tight.

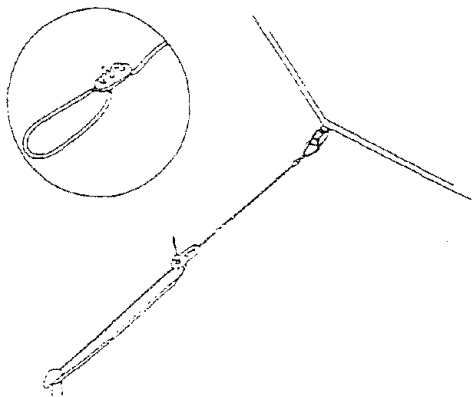
Tent should appear as shown.



**STEP 8:** Place rainfly over the tent, making sure the rainfly awning is over the front door. You can find the awning, by looking for the reinforced pole pockets on the underside of the rainfly. Attach the hooks on the fly into the metal rings located on the steel uprights. Secure the velcro tabs on the fly to each of the tent poles.



**STEP 9:** There are guy loops located on the fly above each door. Tie a guy rope to each of these loops. Make loop at opposite end of guy rope by using slider (as shown below) and place loop over tent stake. Adjust slider to make guy rope tight. Extra tent stakes have been included for this.



**STEP 10:** Finally, take the two remaining fiberglass fly poles and insert the ends with the plastic cap into the pole pockets on the underside of the front awning of the fly. Gently insert the ends with the metal end tip into the reinforced grommets hole located above the front door, on either side of the door.

Tent should appear as shown



Divider curtains are included which can be used to divide your tent into two, three, or four separate rooms for privacy, or can be removed completely for you to enjoy one spacious room. Simply attach to the loops located at the roof and side walls inside your tent. Also, convenience pockets are provided for storing small camping gear.

**NOTE:** To take down tent, follow above steps in the reverse order. Be sure to leave tent unzipped. Place stakes into stake bag, which is provided.

To roll tent up, fold into thirds lengthwise toward the door. At opposite end of the door, start a small, tight roll and roll toward the door. Once rolled, tie a string or rope around tent to hold into place. Slide tent, frame and stakes into carry bag. Make sure tent is clean and dry before storing.