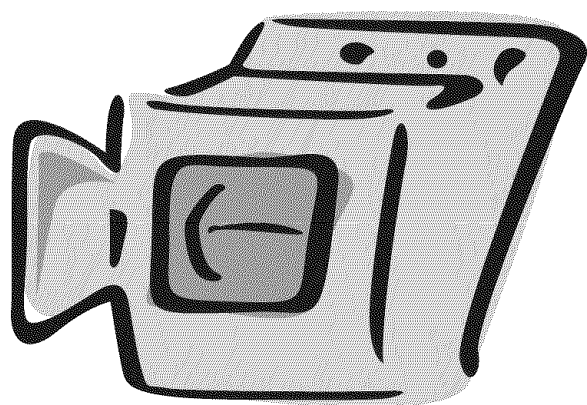




# Owner's Manual

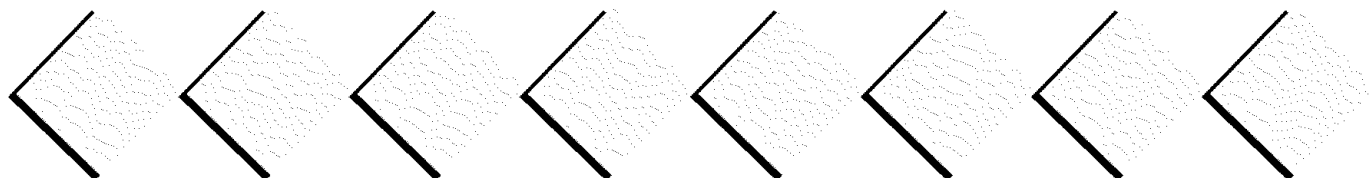


## Contents

Important Safety Information .....	3
Drying Clothes .....	4
Features, Hints, and Care .....	6
Reversing the Door .....	7
Drying Guide .....	8
Trouble Shooting .....	10
Amana Dryer Warranty .....	12

## Gas and Electric Dryer

Keep instructions for future reference. Be sure manual stays with dryer.

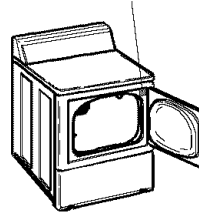


# Thank you for buying an Amana dryer!

Please take the time to complete the registration card and return promptly. If registration card is missing, call Amana Consumer Affairs Department. When contacting Amana, provide product information from serial plate found on upper right hand corner of door opening:

Model Number \_\_\_\_\_  
Manufacturing (P) Number \_\_\_\_\_  
Serial Number (S/N) \_\_\_\_\_  
Purchase Date \_\_\_\_\_  
Dealer Name \_\_\_\_\_  
Dealer Address \_\_\_\_\_  
Dealer Phone \_\_\_\_\_

Serial Plate



Keep this manual and your sales receipt together in a safe place for future reference or if warranty service is required.

For answers to questions or to locate an authorized servicer, call 1-800-NAT-LSVC (1-800-628-5782) inside USA or 319-622-5511 outside USA. Warranty service must be performed by an authorized servicer. Amana Appliances also recommends contacting an authorized servicer if service is required after warranty expires.

## Asure™ Extended Service Plan

Amana Appliances offers long-term service protection for this new dryer. Asure™ Extended Service Plan, covering functional parts, labor, and travel charges, is specially designed to supplement a strong warranty. Call 1-800-528-2682 for information.

## Parts and Accessories

Purchase replacement parts and additional accessories by phone. To order accessories for your Amana product, call 1-800-843-0304 inside USA or 319-622-5511 outside USA.

## Save Time and Money

If something seems unusual, please check "Trouble Shooting" section, which is designed to help you solve problems before calling service. If you have a question, write or call us (include model number and phone number) at:

Consumer Affairs Department  
Amana Appliances  
2800 - 220th Trail  
Amana, Iowa 52204

Ph# 1-800-843-0304

For more information on this and other Amana products, visit our Web site  
**www.amana.com**  
or  
call Consumer Affairs Department at  
**1-800-843-0304**

## What You Need to Know about Safety Instructions

Warning and Important Safety Instructions appearing in this manual are not meant to cover all possible conditions and situations that may occur. Common sense, caution, and care must be exercised when installing, maintaining, or operating dryer.

Always contact your dealer, distributor, service agent, or manufacturer about problems or conditions you do not understand.

## Recognize Safety Symbols, Words, Labels



**DANGER**

**DANGER**—Immediate hazards which **WILL** result in severe personal injury or death.



**WARNING**

**WARNING**—Hazards or unsafe practices which **COULD** result in severe personal injury or death.



**CAUTION**

**CAUTION**—Hazards or unsafe practices which **COULD** result in minor personal injury or product or property damage.

# Important Safety Information



## WARNING

**To reduce risk of fire, electric shock, serious injury, or death when using your dryer, follow these basic precautions:**

1. Read all instructions before using dryer.
2. Install dryer according to Installation Instructions. Refer to the Grounding Instructions in the Installation Instructions for proper grounding of the dryer.
3. Do not dry articles that have been cleaned in, washed in, soaked in, or spotted with gasoline, dry-cleaning solvents, or other flammable or explosive substances. Vapors could ignite or explode.
4. Do not use dryer to dry clothes which have traces of any flammable substance, such as vegetable oil, cooking oil, machine oil, flammable chemicals, thinner, etc., or anything containing wax or chemicals, such as mops and cleaning cloths. Flammable substances may cause fabric to catch fire by itself.
5. Do not store or use gasoline or other flammable vapors and liquids near this or any other appliance.
6. Do not allow children to play on or in dryer. Close supervision of children is necessary when dryer is used near children, a safety rule for all appliances.
7. Before dryer is removed from service or discarded, remove door to drying compartment.
8. Do not reach into dryer if cylinder is revolving.
9. Do not install or store dryer where it will be exposed to water and/or weather.
10. Do not tamper with dryer controls.
11. Do not repair or replace any part of dryer or attempt any service, unless specifically recommended in user-maintenance instructions or in published user-repair instructions that you understand and have skills to carry out.
12. To reduce risk of electric shock or fire, do not use extension cords or adapters to connect dryer to electrical power source.
13. Use the dryer only for its intended purpose, drying clothes.
14. Always disconnect dryer from electrical supply before attempting any service. Disconnect power cord by grasping the plug, not the cord.
15. Do not use heat to dry articles containing foam rubber or similarly textured rubberlike materials.
16. Always clean the lint filter after every load. A layer of lint in the filter reduces drying efficiency and prolongs drying time.
17. Use only fabric softeners or products to eliminate static that are appropriate for automatic dryers.
18. Keep your dryer in good condition. Bumping or dropping dryer can damage safety features. If damage occurs, have dryer checked by qualified service technician.
19. Replace worn power cords and/or loose plugs.
20. Do not tumble fiberglass curtains and draperies unless the label says it can be done. If they are dried, wipe out the cylinder with a damp cloth to remove particles of fiberglass.
21. Always read and follow manufacturer's instructions on packages of laundry aids. Heed all warnings or precautions. To reduce risk of poisoning or chemical burns, keep products away from children at all times, preferably, in a locked cabinet.
22. Never operate dryer with guards and/or panels removed.
23. Do not operate dryer with missing or broken parts.
24. Do not bypass safety devices.
25. Keep area around the exhaust opening and adjacent surrounding areas free from accumulation of lint, dust, and dirt.
26. Interior of dryer and exhaust duct should be cleaned periodically by qualified service personnel.
27. Dryer will not operate with loading door open. DO NOT bypass door safety switch by permitting dryer to operate with door open. Dryer will stop tumbling when door is opened. Do not use dryer if it does not stop tumbling when door is opened or starts tumbling without pressing or turning the START mechanism. Remove the dryer from use and call the service person.
28. Remove laundry immediately after the dryer stops.
29. ALWAYS follow the fabric care instructions supplied by the garment manufacturer.

### California Safe Drinking Water and Toxic Enforcement Act (Proposition 65)—Gas Dryers Only

The Governor of California is required to publish a list of substances known to the state of California to cause cancer or reproductive harm and requires business to warn customers of potential exposures to such substances.

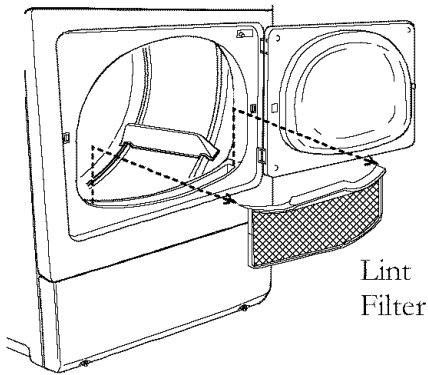
Gas appliances contain or produce substances which can cause death or serious illness and which are known to the State of California to cause cancer, birth defects, or other reproductive harm. To reduce the risk from substances in fuel or from fuel combustion, make sure this appliance is installed, operated, and maintained according to the manufacturer's instructions.

## Save These Instructions

# Drying Clothes

## ? If These Controls are Different from Yours

These controls are intended to show the variety of features that are available in the product line. If your dryer does not have all the options that are shown, it is not a mistake. The information provided applies to several of the models in the product line.



**IMPORTANT:** Lint filter must be in place in door opening when using dryer or loading and unloading dryer. If filter is not in place, clothing could fall into front air duct.

### 1. Sort clothes for drying

Properly dried clothes will need a minimum of care when removed from the dryer. Clothes properly sorted for washing should be properly sorted for drying also. Follow the examples below.

SORT	EXAMPLES
<b>Dark and Light Colors</b>	Separate light clothes from dark clothes.
<b>Lint Shedding Fabrics</b>	Towels, flannels, chenille, cottons, rugs
<b>Lint Receiving Fabrics</b>	Corduroys, knits (including socks), permanent press, and synthetics
<b>Heavy and Light weight Fabrics</b>	Lightweight fabrics dry faster than heavyweight fabrics. If mixed loads are dried together (such as sheets and towels), remove the lighter weight fabrics when they are dry to prevent over drying and wrinkling.

### 2. Clean the lint filter before each use

A **clean lint filter** ensures efficient drying and clothes will remain lint-free when unloading dryer. A layer of lint on the screen will reduce air flow through the dryer and lengthen drying time. Lint screen may be washed if needed.

- Lint filter is located at front of the dryer in the lower part of door opening.
- Replace lint filter in door recess and push in firmly. Words on filter should face front of dryer.

**Add clothes loosely** into dryer drum. Add fabric softener sheet, if desired. **Close loading door.** Dryer will not operate with the door open.

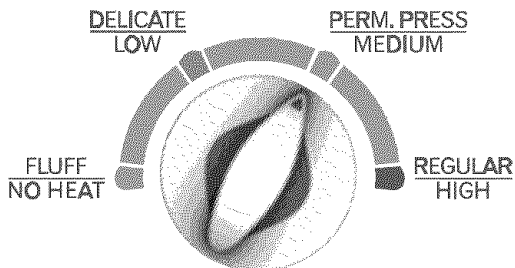
### 3. Select FABRIC SELECTOR setting

Set FABRIC SELECTOR knob to most appropriate temperature for type of fabric in load. Follow garment manufacturer's care label for recommended temperature settings. See chart below.

FABRIC SELECTOR	CYCLE
<b>Regular/High</b> Approximately 160°F	<b>Automatic Regular</b> Use for sturdy items like play or work clothes.
<b>Perm. Press Regular/ Med. High (some models)</b> Approximately 155°F	<b>Automatic Regular/Perm</b> Use for sturdy items like play or work clothes, permanent press items, and synthetics.
<b>Perm. Press/Medium</b> Approximately 150°F	<b>Automatic Permanent Press/Knits</b> Use for permanent press and synthetic items.
<b>Delicate/Low</b> Approximately 129°F	<b>Automatic Delicate</b> Use for delicate items.
<b>Fluff/No Heat</b> No heat	<b>Any Cycle</b>

**Time Dry cycle can be used with all Fabric Selector settings.**

## FABRIC SELECTOR

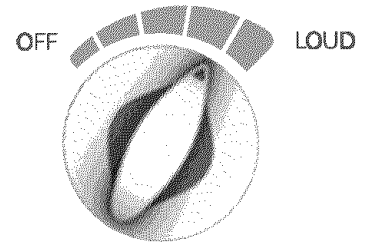


# Drying Clothes (cont'd)

## 4. Select SIGNAL volume (some models)

If a volume level is selected, the signal will let you know when the cycle is done. Signal will stop when the door is opened, or when the timer is advanced to an OFF position.

## SIGNAL



## 5. Select EXTENDED TUMBLE, if desired (some models)

On Automatic cycles only, EXTENDED TUMBLE cycle helps to reduce wrinkling after the normal drying cycle. After COOL DOWN portion of the cycle, it continues to tumble clothes without heat for 40 minutes, until the dryer door is opened, or the switch is turned to the OFF position.

## 6. Turn timer to desired setting

The cycles control the drying time. The ENERGY SAVER setting, marked with a dash (-), shows which dryer settings will use the least energy and will leave items damp for easier ironing.

The **AUTOMATIC cycles** will automatically determine the time needed to dry your clothes and will work on any FABRIC SELECTOR setting. Set the timer for the type of fabric in the load.

**TIME DRY cycle** will operate dryer for up to 75 minutes. Cottons and heavyweight items dry best between 50 and 75 minutes, lightweight items dry best between 20 and 40 minutes.

**AUTOMATIC WRINKLE OUT cycle (some models)** helps remove wrinkles from slightly wrinkled items that may have been sitting in a dryer or laundry basket overnight. The cycle has a short heat setting followed by a 5 minute COOL DOWN.

## EXTENDED TUMBLE

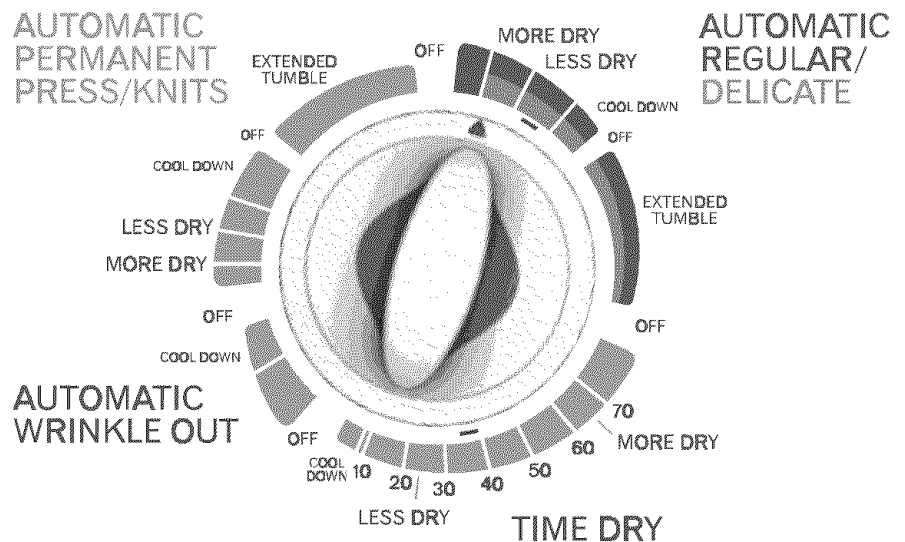
ON



OFF

## 7. Push in timer knob to start

To stop dryer at any time, open door or turn timer knob to the OFF position. To restart dryer, close door, reset timer if necessary, and push in the timer knob.



— ENERGY SAVER

PUSH KNOB TO START

# Features, Hints, and Care

## Follow the Colors

Your dryer control panel is color coordinated for your convenience. When you set your controls, notice which colors are the same. They will help guide you through setting the controls.

## Drying Times

It is impossible to give exact drying times. Conditions from home to home vary and directly affect drying times. The length of time it takes to dry loads will depend on several variables.

- Load size
- Type of fabric, washer, and spin speed will determine moisture in the fabric.
- Heat and moisture in the room. Damp air coming into the dryer will increase drying time.
- Installation (length of exhaust duct, etc.).
- Electric voltage or gas pressure.

If you have an automatic cycle, you need not worry about time. The automatic cycle will determine the time needed. Set the timer for the type of fabric in the load. See the operating instructions provided with your dryer. Do not set the timer for a “higher” setting than necessary. If you have a permanent press, knit cycle, use it for loads of permanent press, knits and for clothes made from or containing synthetic fibers. This cycle has a longer COOL DOWN period at the end of the cycle to reduce wrinkling.

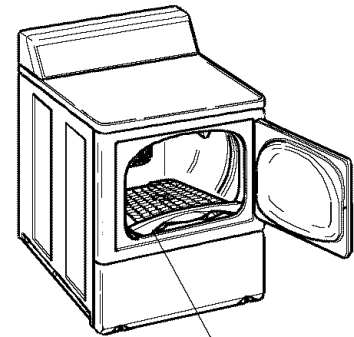
## How to Remove Ball Point Pen Ink Marks from the Dryer Drum

If the ink stain is fresh, place dry rags in the dryer. Using the hottest heat setting, run the dryer for one hour to absorb the ink.

If the stain is not fresh, apply household spray or cream cleaner to a soft cloth, and rub the stain. Then, place wet rags in the dryer. Using the hottest heat setting, run the dryer for one hour to remove any cleaner residue.

## Optional Drying Rack (some models)

Drying Rack, Part No. 504105, is useful for drying items that require no-tumble drying, such as tennis shoes, sweaters, stuffed toys or other delicate items.



Drying Rack

## General Dryer Care

### Cleaning

- Ordinarily, dryer cylinder will need no care.
- Wipe dryer cabinet as needed. If detergent, bleach or other washing products have been spilled on the dryer, wipe immediately. Some products will cause permanent damage if spilled on the cabinet.
- Do not allow sharp or rough objects to lean against the dryer. The finish could be damaged.
- Use only a damp or sudsy cloth for cleaning the control panel. Some spray prewash products may harm the finish on the control panel.

### Lint Filter

Clean lint filter after drying each load. A clean lint filter ensures efficient drying and clothes will remain lint-free when unloading dryer. A layer of lint on the screen will reduce air flow through the dryer and lengthen drying time. Lint screen may be washed with soap and water if needed.

### Lubrication

All moving parts are sealed in a permanent supply of lubricant or are equipped with oilless bearings. Additional lubrication will not be necessary.

### Exhaust System

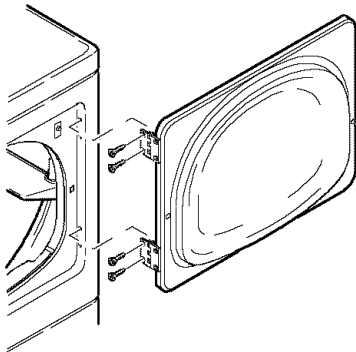
- The exhaust duct should be inspected after one year of use and cleaned if necessary. Inspect and clean exhaust duct every one to two years as required thereafter.
- The weather hood should be checked frequently to make sure the dampers move freely, dampers are not pushed in and that nothing has been set against them.
- Keep dryer area clear and free from combustible materials, gasoline and other flammable vapors and liquids.
- Do not obstruct the flow of combustion (gas dryers) and ventilation air.

# Reversing the Door

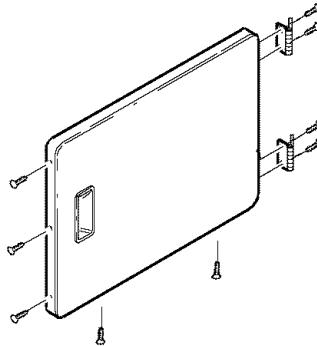
To reverse doors perform the following steps:

1. Remove four hinge attaching screws.
2. Remove all 9 screws from door and hinges.
3. Pull bottom of door liner out (A), then pull down (B), removing door liner from door panel.
4. Rotate door panel 180° as shown.
5. Remove door strike from door liner and reinstall on opposite side.
6. Insert liner under flange on bottom of door (A), then push top of door liner into place (B)
7. Reinstall 9 screws removed in Step 2.
8. Using a screwdriver, remove two door plugs and reinstall on opposite side of door opening.
9. Reinstall four hinge attaching screws removed in Step 1.

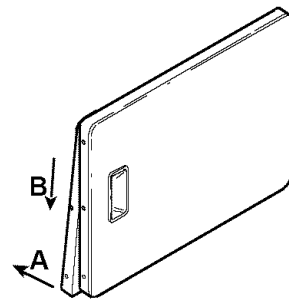
1



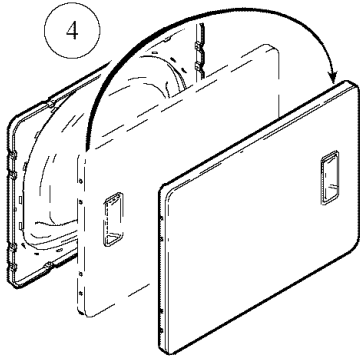
2



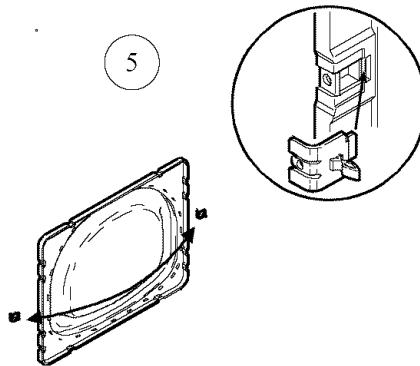
3



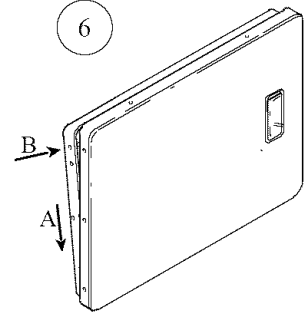
4



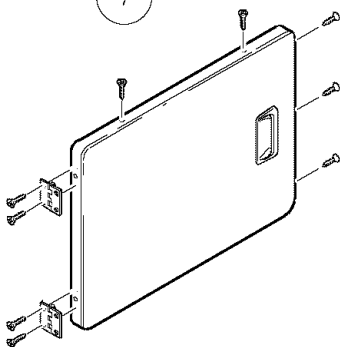
5



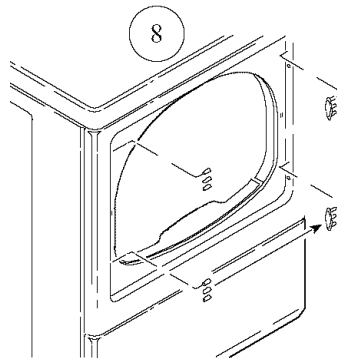
6



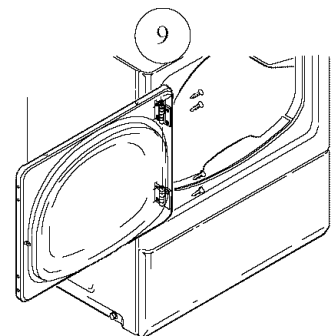
7



8



9



# Drying Guide



Item	Special Instructions
<b>Bedspreads</b>	Choose heat for the type fabric used. Dry one double or two single spreads at once. Chenille and tufted spreads will shed lint and should be dried alone. New spreads will contain loose lint. Tumble new spreads on NO HEAT setting before washing to remove loose lint. These spreads may be dried completely.
<b>Blankets</b>	Electric DELICATE or NO HEAT cycles. If the manufacturer recommends drying the blanket in the dryer, follow the "Wool" instructions below. Do not stretch the blanket because of the wiring. Some electric blankets may have insulation on the thermostats or on the wiring which will not withstand dryer heat. Do not dry in dryer unless the blanket manufacturer says it can be done.
	Synthetic Fibers DELICATE or NO HEAT cycles. Some of these blankets are fluffy and will shed lint. Tumble on NO HEAT setting before washing to remove loose lint. Use a gentle wash method, then dry in dryer until just dry. The lint filter may need to be cleaned during the drying.
	Thermal Cotton AUTOMATIC REGULAR cycle.
	Wool Agitation and tumbling contribute to the shrinkage and felting of wool. We cannot guarantee that wool will not shrink. However, if care is taken and the blanket manufacturer's instructions are followed, satisfactory results should be obtained. Wash by the soak method with as little agitation as possible. After washing, stretch blanket gently in both directions. Use approximately five dry bath towels and place them between folds in blanket. This will "cushion" it to lessen the tumbling. Set dryer for 20 minutes on the TIME DRY cycle. Use REGULAR heat setting, if it is available on your dryer. Check blanket when timer reaches 10. Wool blankets must be removed from the dryer when damp. Stretch gently to shape and finish drying over two clotheslines or in a flat position.
<b>Quilts</b>	Choose heat and cycle for fabric. Filling and cover must be completely washable. Old quilts may be too fragile to machine wash or dry. Quilts filled with cotton may become lumpy. Quilting should be close together. Remove from dryer slightly damp and stretch gently to shape. Quilted articles may shrink if over dried.
<b>Mattress Pads</b>	Material in mattress pads is made of either cotton or synthetic fibers. Read fiber content label, found on your mattress pad, to determine what type of fiber was used to manufacture the pad. READ AND CAREFULLY FOLLOW the fabric care instructions supplied by the mattress pad manufacturer. Some pads made of synthetic fibers are very heat sensitive. These pads can be flammable if over-heated or over-dried. TO AVOID A FIRE HAZARD, DO NOT OVER-DRY mattress pads. Remove pads from the dryer while they are still damp.
<b>Slip Covers</b>	Choose heat for fabric. Close zippers. Dry one couch cover, two chair covers or five or six pillow covers at one time. Remove from dryer when slightly damp. Press pleats if necessary and replace on furniture immediately. Stretch fabrics and knits should be dried completely so they will fit snugly when replaced on furniture.
<b>Pillows</b>	Feather and Down-Filled Ticking must be strong and seams secure. If in doubt, sew pillow into a case or use a zippered pillowcase to prevent feathers from coming out. After washing, shake pillow to fluff feathers. Dry one large or two smaller pillows. Use TIME DRY cycle. Use LOW or MEDIUM heat setting if it is available on you dryer. Shake and reposition pillows several times during drying. Pillows must be dry in the center to prevent mildew. Drying may take two hours or longer. Reset dryer timer if necessary. The odor of wet feathers is not pleasant. However, the odor will disappear once the pillows dry.
	Fiber-Filled (polyester) Follow manufacturer's directions.
	Foam Rubber Do not dry in the dryer.
<b>Curtains</b>	Cotton AUTOMATIC REGULAR or TIME DRY cycles. Remove damp items for ironing or dry completely, then steam iron.
	Fiberglass DO NOT DRY IN THE DRYER unless recommended by the manufacturer. Fiberglass may shred. Particles may remain in the dryer and rub off on the next load. This could irritate the skin. "Beta" fiberglass may be dried in the dryer if recommended by the manufacturer.
	Synthetic Fibers DELICATE or NO HEAT cycles. Allow room for tumbling to prevent wrinkling. Delicate or sheer curtains must be dried by themselves so they will not be snagged by hooks or crushed by other clothes in the load. Some sheer curtains are heat sensitive. Dry 10 minutes only, plus the cool down period. Remove from dryer immediately and hang. If the dryer has been heated from a previous load, NO HEAT setting may be sufficient.
<b>Draperies</b>	Remove hooks and weights before washing. Choose heat for fabric and allow space in the dryer for tumbling. Some draperies may be removed when slightly damp and hung immediately. Lined draperies should be dry-cleaned because they have a tendency to pucker.



# Drying Guide (cont'd)

Item	Special Instructions
<b>Knit articles</b>	All Knits Knit fabrics are usually manufactured under tension (stretching). Cotton knits especially may relax or draw together if every bit of moisture is removed from them. It is best to take them out of the dryer with a trace of moisture remaining, then stretch to shape. If they do shrink from overdrying, rewet them and dry properly.
	Cottons AUTOMATIC REGULAR or TIME DRY cycle. Remove slightly damp to minimize ironing. Reshape, smooth seams and pockets, etc.
	Synthetic Fibers (nylon, orlon, polyester etc.) AUTOMATIC REGULAR or AUTOMATIC PERMANENT PRESS cycle. Turn inside out to prevent "pilling" (rolling up of the fiber ends from friction). Dry sweaters only with similar things because they tend to attract lint. Make sure the load is large enough for tumbling. Dry completely and remove from dryer immediately to minimize wrinkling.
	Wool DELICATE or NO HEAT cycle. For wool labeled "machine washable" follow manufacturer's directions. For other wool, use wool blanket method. Do not dryer loosely knit wool or hand knits. Dry these flat and stretch to shape from a pattern drawn before washing.
<b>Lingerie</b>	Cotton AUTOMATIC REGULAR cycle.
	Elastic Body oils can cause elastic to deteriorate. Wash garments containing elastic frequently. Elastic in such things as shorts may be dried, however avoid overdrying.
	Foam Rubber Bras, bathing suits, sun suits, etc. DO NOT DRY THESE ITEMS IN THE DRYER WITH HEAT, FIRE MAY RESULT. NO HEAT setting may be used.
	Stretch Fabrics Choose heat for the most delicate fiber. These may be dried completely as they will stretch into shape. Avoid drying with lint-shedding fabrics.
	Synthetic Fibers TIME DRY cycle. Use a DELICATE or LOW HEAT setting, if it is available on dryer. Some sheer fabrics, especially sheer knits, can be heat sensitive. Dry these until they are just dry (about 10 minutes) and remove from dryer immediately. Sheer fabrics should not be washed and dried with garments containing hooks or zippers. Synthetic fabrics will create static electricity if overdried. TO prevent this use fabric softener and avoid overdrying.
<b>Denim, Corduroy</b>	AUTOMATIC REGULAR cycle. Dry completely and remove from dryer when seams are slightly wet to minimize shrinkage.
<b>Rugs</b>	Cotton with Cotton Backing AUTOMATIC REGULAR or TIME DRY cycles. Dry one large or several small rugs. For one small rug only, add towels for buffers.
	Rubber-backed Hot water and heat tend to deteriorate many types of rubber. Some types of rubber-like materials are flammable under certain conditions. DO NOT DRY FOAM RUBBER AND RUBBER-LIKE MATERIALS WITH HEAT.
	Synthetic Fibers DELICATE or NO HEAT cycles. Follow manufacturer's suggestions. Some of these rugs are heat sensitive and should be removed from the dryer when damp or dried with no heat.
<b>Stuffed Animals and Toys</b>	Make sure the filling and covering is washable and can be dried in the dryer. Cotton filling may become lumpy. Protect glass eyes by covering with a stocking or tie toy into a pillowcase. Choose heat for most sensitive fiber. Dry enough clothes in the load for good tumbling. DO NOT DRY TOYS STUFFED WITH FOAM RUBBER OR KAPOK IN THE DRYER WITH HEAT.
<b>Tennis Shoes</b>	DELICATE or NO HEAT cycle. Use a drying rack or tumble with at least four old bath towels.



# Trouble Shooting

You may save time and money by checking items below before calling for service. List includes common concerns that are not the result of defective workmanship or materials. If your question is not explained below, contact Amana Consumer Affairs Department at **800-843-0304**.

## TOPIC POSSIBLE CAUSE SOLUTION


### NOISE

<b>Vibrating noise</b>	Dryer may not be resting firmly on floor	Some vibration is normal. Adjust leveling legs so dryer rests firmly on floor. See <i>Installation Instructions</i> for leveling details.
<b>Thumping, rattling, or clanking noise</b>	Loose objects, such as coins or pins	Stop dryer and check for loose objects. Remove loose objects if possible.
	Belt buckles, metal fasteners hitting drum	Close zippers, buttons, and fasteners. Clothing with buckles should be turned inside out.
<b>Whirling sound</b>	As air moves through the dry, a whirling sound may be noticed	Normal
<b>Pulsating sound</b>	When the drum rotates, it may create a pulsating sound	Normal
<b>Clicking sound</b>	Many of the parts, such as the timer, click as they operate	Normal

### OPERATION

<b>Dryer does not run</b>	Electrical power cord may not be plugged in, or connection may be loose	Make sure plug from power cord fits tightly into wall outlet.
	Fuse blown, circuit breaker tripped, or power outage occurred	Replace fuse or reset circuit breaker. Do NOT increase fuse capacity. Call qualified electrician to correct circuit overload problem. Call local utility company to correct power outage.
	Dryer door is not closed	Push door closed.
	Timer knob must be pushed in to restart dryer	If dryer door was opened during a cycle, the timer knob must be pushed in to restart the cycle.
<b>Dryer does not heat</b>	Dryer set to FLUFF/NO HEAT setting	Reset FABRIC SELECTOR knob.
	Damper on weather hood is stuck closed or frozen	Severely restricted airflow will cause dryer to stop heating. Check weather hood and exhaust system for restrictions.
	Gas supply is shut off (Gas Dryers Only)	Check other gas appliances in house for gas supply.

### APPEARANCE

<b>Screen in back of drum darkens</b> 	Heat causes the metal to darken	Normal. Will not affect performance.
<b>Dryer drum becomes stained</b>	Fabric dyes that are not set can stain the dryer drum	Make a paste from powdered detergent and rub on stain. Though you may not be able remove stain immediately, the stain may fade and disappear over time.

# Trouble Shooting (cont'd)

## TOPIC

## POSSIBLE CAUSE

## SOLUTION

### Drying



<b>Long drying times</b>	Improper exhaust system	Check Installation Instructions for length of proper exhaust system. Only use 4" diameter rigid or semi-rigid duct. Restricted airflow will cause dryer to stop heating. Check weather hood and exhaust system for restrictions.
	Overloading	Dry one wash load at a time.
	Sorting	Separate heavy items from lightweight items.
	Full lint filter	Clean lint filter before each use.
	Clothes too wet from washer	Check that the washer had enough spin speed to extract water. Clothes may need to be rearranged in the washer and put through an additional spin cycle to extract enough water before drying.
<b>Lint</b>	Full lint filter	Clean lint filter before each use.
	Improper sorting	Separate lint producers (cotton towels) from lint attracters (synthetic fabrics).
	Paper, tissues, or other items left in pockets	Remove items from pockets before washing or drying.
	Overloading	Overloading reduces airflow so lint is not collected in filter. Dry one wash load at a time.
<b>Static</b>	Overdrying	Adjust controls for shorter drying time. Use a fabric softener.
	No fabric softener was used	Use a fabric softener.
	Synthetic fabrics can cause static	Use a fabric softener.

# Amana Dryer Warranty

## Full ONE Year Warranty

For one (1) year from the date of original retail purchase, Amana will repair or replace any part that fails due to a defect in materials or workmanship.

## Limited Warranty

After one year from the date of original retail purchase, Amana will provide a free part, as listed below, to replace any part that fails due to a defect in materials or workmanship. The owner will be responsible for paying all other costs including labor, mileage, and transportation.

### Second through Third Year

Amana will provide any part.

### Third through Fifth Year

Amana will provide the drive motor or timer.

### Third through Tenth Year

Amana will provide the cabinet assembly should the part rust through.

### Lifetime

Amana will provide the Stainless Steel inner drum if so equipped.

## What is not covered by these warranties

- Replacement of household fuses, resetting of circuit breakers, or correction to household wiring or plumbing.
- Products with original serial numbers removed, altered, or not readily determined.
- Products purchased for commercial, industrial, rental, or leased use.
- Products located outside of the United States or Canada.
- Premium service charges, if the servicer is requested to perform service in addition to normal service or outside normal service hours or area.
- Adjustments after the first year.
- Damage to clothing.

### Repairs resulting from the following:

- Improper installation, exhaust system, or maintenance.
- Any modification, alteration, or adjustment not authorized by Amana.
- Accident, misuse, abuse, fire, flood, or acts of nature.
- Connections to improper electrical current, voltage, or supply.

## To Receive Warranty Service

Service must be performed by an authorized Amana service representative. To schedule service, contact the Amana dealer where you purchased your appliance or contact Amana Appliances Factory Service.

### Amana Appliances Factory Service

1-800-628-5782 inside USA

### For more information, Amana Appliances Consumer Services

Amana Appliances  
2800 220th Trail  
Amana, Iowa 52204  
1-800-843-0304 inside USA  
(319) 622-5511 worldwide

## When contacting Amana Appliances please include the following information:

- Your name, address, and telephone number.
- Model number and serial number of your appliance.
- The name and address of your dealer and the date of purchase.
- A clear description of the problem.
- Proof of purchase (sales receipt).

## IN NO EVENT SHALL AMANA BE LIABLE FOR INCIDENTAL OR CONSEQUENTIAL DAMAGES.

This warranty gives you specific legal rights, and you may have others which vary from state to state. For example, some states do not allow the exclusion or limitation of incidental or consequential damages, so this exclusion may not apply to you.

**Amana Appliances Online • <http://www.amana.com>**