

*owners
manual*

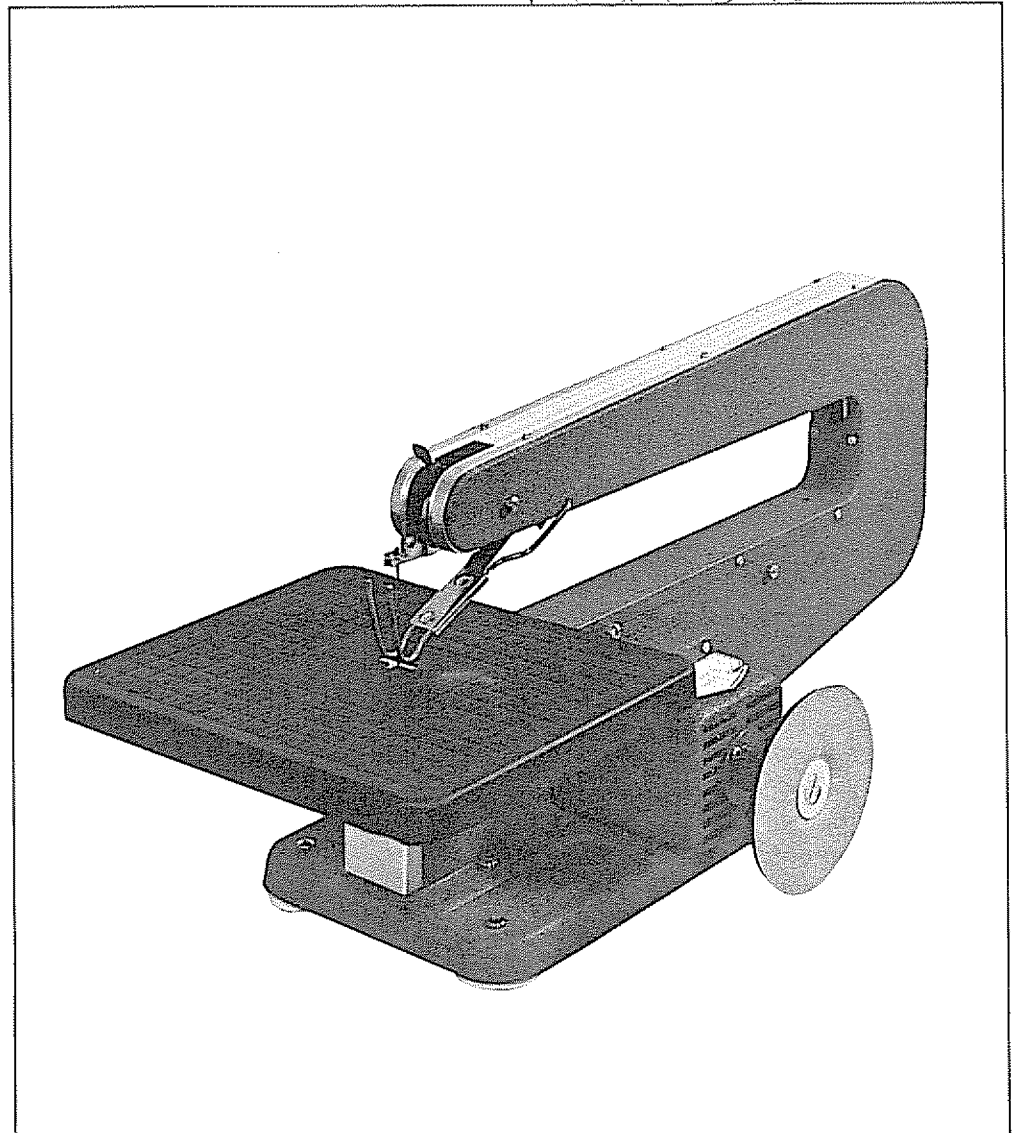
CAUTION:

Read SAFETY
RULES and
INSTRUCTIONS
carefully

**MODEL NO.
572.24700**

SEARS/CRAFTSMAN

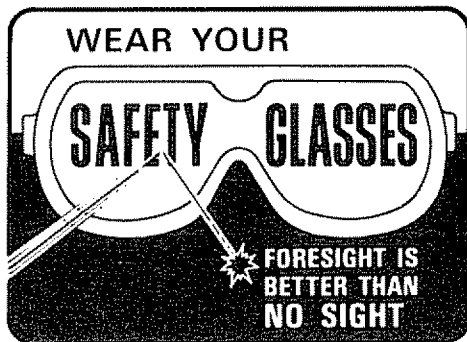
**15 INCH MOTORIZED
SCROLL SAW/SANDER**



assembly • operating • repair parts

RULES FOR SAFE OPERATION

- 1. Know your Power Tool.** Read the owner's manual carefully. Learn its application and limitations as well as the specific potential hazards peculiar to this tool.
- 2. If tool is equipped with three-prong plug, it should be plugged into a PROPERLY GROUNDED receptacle.**
- 3. Keep guards in place** and in working order.
- 4. Remove adjusting keys and wrenches.** Form habit of checking to see that keys and adjusting wrenches are removed from tool before turning on tool.
- 5. Keep work area clean.** Cluttered areas and benches invite accidents.
- 6. Avoid dangerous environment.** Don't use power tools in damp or wet locations. Keep work area well illuminated.
- 7. For safety and accuracy.** All visitors should be kept a safe distance from work area.
- 8. Don't force tool.** It will do the job better and be safer at the rate for which it was designed.
- 9. Use right tool.** Don't force tool or attachment to do a job it was not designed for.
- 10. Wear proper apparel.** No loose clothing or jewelry to get caught in moving parts.
- 11. Use safety glasses.** Also use face or dust mask if cutting operation is dusty.
- 12. Secure work.** Use clamps or a vise to hold work when practical. It's safer than using your hand, frees both hands to operate tool.
- 13. Don't overreach.** Keep your proper footing and balance at all times.
- 14. Maintain tools in top condition.** Keep tools sharp and clean for best and safest performance. Follow instructions for lubricating and changing accessories.
- 15. Disconnect tools,** before servicing and when changing accessories such as blades, bits, cutters.
- 16. Avoid accidental starting.** Make sure switch is **off** before plugging in cord.
- 17. Use recommended accessories.** Consult the owner's manual. Use of improper accessories may be hazardous.



The operation of any power tool can result in foreign objects being thrown into the eyes, which can result in severe eye damage. Always wear safety glasses or eye shields before commencing power tool operation. We recommend **Wide Vision Safety Mask** for use over spectacles, or standard safety glasses . . . available at Sears retail or catalog stores.

This Product is Listed by
UNDERWRITER'S LABORATORIES, INC.
and Bears the Mark:



POWER TOOL GUARANTEE

Craftsman power tools (or welders) are unconditionally guaranteed for one year to give complete satisfaction or the tool will be repaired free of charge

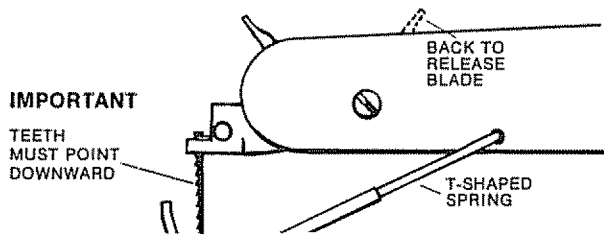
This guarantee service is available through any of Sears Stores or Service Centers throughout the United States or Canada

SEARS ROEBUCK AND CO • SIMPSONS-SEARS LIMITED

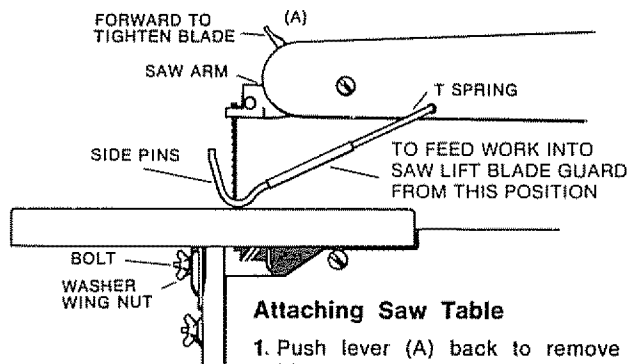
For the most pleasure from your Scroll Saw/Sander follow these instructions carefully:

The Craftsman Scroll Saw is a multi-purpose workshop. By connecting different attachments to the power take-off, the unit is converted from the basic scroll saw to a grinder, sander, buffing wheel, brush wheel, and a flexible shaft machine. Then you are able not only to saw, but drill, grind, polish, rout, sharpen, sand, buff, carve, engrave and perform many other hobby, home or shop operations. Use with 2471 accessory pack.

DO NOT OPERATE MACHINE WITHOUT ATTACHING TABLE. **CAUTION:** DISCONNECT PLUG FROM OUTLET.

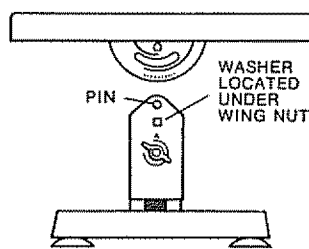


Inserting Blade—Hold blade with teeth pointing downward and place into the small slot of both upper and lower blade holder. Apply tension by pulling lever on top of blade holder toward you. For cutting material longer than the 15" throat capacity, place the blade in either side position. The capacity is then unlimited.



Attaching Saw Table

1. Push lever (A) back to remove blade.
2. Unscrew top wing nut—leave bolt in same position.
3. Lift up blade guard (from point shown) and slide table into place.
4. Pass bolt through slotted half circle with hole at top positioned over pin.
5. Place washer on outside of bracket and tighten with wing nut.
6. Blade guard must always be inserted with T shaped spring under saw arm and both side pins outside of saw arm housing.



Motor—Runs on 110-120 Volt, 60 cycle, AC, and produces 3450 R.P.M. It is equipped with two sealed ball bearings. No oiling is needed. Characteristically, this shaded pole-type motor runs a bit warm. However, overheating will not affect overall operation.

Oiling—A few drops of ordinary motor oil should occasionally be placed on the connecting link bearing through the hole on the left side of the frame. For oiling, lay unit on its side. Use SA30 motor oil.

Cutting Capacity—Soft wood up to 1 3/4" and hardwood up to 1/2" in thickness can be cut. **FEED WOOD SLOWLY. DO NOT FORCE.** When cutting wood over 1 1/4", the blade guard must be removed. To remove guard, simply pull out ends of guard where they enter the frame. When through sawing... **BE SURE TO REPLACE THE FINGER GUARD.**

Sawing Metals—Saw aluminum to 1/4" thick, copper to 18 gauge, and steel to 1/16" thick. When sawing metal, it is important to hold the work firmly on the table, use oil as a lubricant, and feed the work with a slow, steady pressure. Do not force it.

Blade Guard—The blade guard is considered one of the safest it functions also as a hold-down.

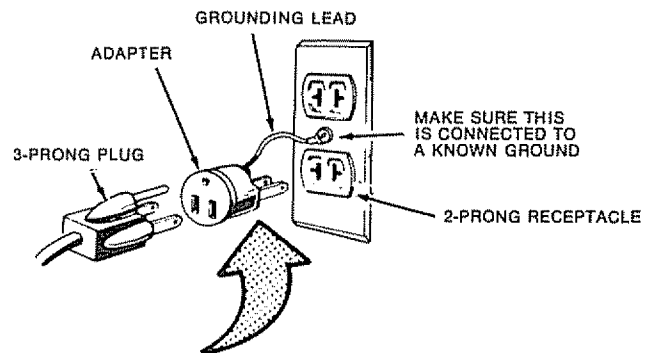
Increasing Blade Life—When blade teeth become dull in one spot simply loosen the lower wing nut located just beneath the saw table, and raise the table to a section of new, unused teeth.

Tilting Table—For angle sawing, the table can be tilted in either direction. Loosen the top wing nut located just beneath the saw table, and tilt to the desired angle following the calibrated scale.

Making Inside Cuts—First, use the flexible shaft to drill a 5/32" hole in the area to be sawed out. Then, remove the blade, thread it through the hole, and return it to the cutting position.

Holding Scroll Saw In Place—On a fairly smooth table or bench, the rubber suction cups will keep it from sliding. Otherwise, set the machine on a 1/2" thick rubber pad, such as a household kneeling pad or typewriter cushion.

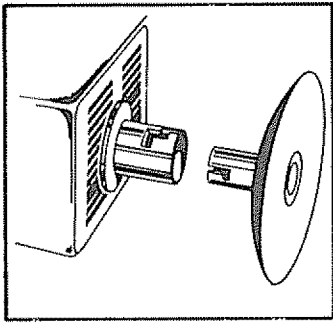
WARNING: YOUR SAW IS EQUIPPED WITH AN UNDERWRITERS' LABORATORIES AND CANADIAN STANDARDS ASSOCIATION APPROVED 3-PRONG PLUG WHICH MUST BE CONNECTED TO A GROUNDED 3-PRONG RECEPTACLE TO GROUND YOUR SAW. IF YOU DO NOT HAVE A GROUNDED RECEPTACLE TO MATCH THIS PLUG YOU SHOULD HAVE A QUALIFIED ELECTRICIAN INSTALL ONE.



NOTE: The adapter illustrated is for use only if you already have a properly grounded 2-prong receptacle. Adapter is not allowed in Canada by the Canadian Electrical Code.

The use of any extension cord will cause some loss of power. To keep this to a minimum and to prevent overheating and motor burn-out, use the table below to determine the minimum wire size (A.W.G.) extension cord. All cords should be 3-wire grounded.

Extension Cord Length	Wire Size A.W.G.
50 ft. or less	No. 16
100 ft. or less	No. 14



Attaching Accessories—

The round extension on the motor housing is the power take-off for driving the sander, buffing wheel, and flexible shaft.

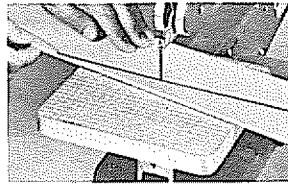
These are mounted on special adapters which fit into the power take-off. **BE SURE THE MOTOR IS TURNED OFF.** Line up pin in the motor shaft with the slot in the adapter and press forward as far as it will go.

Turn the wheel slowly until the adapter set screw comes into view. Then tighten lightly. This screw does not drive the shaft, it merely minimizes vibration and wheel drifting. It does not have to be too tight.

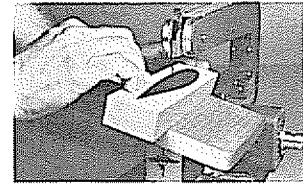
Recommended Accessories

- #2471—Accessory Kit.
- #26877—Fine Tooth blades.
- #26878—Coarse Tooth blades.
- #2544—4" Assorted aluminum oxide Sanding Discs.

It's a scroll saw—Handles everything from small scroll work to full size furniture work. Cuts up to standard 2 x 4's, 18 ga. copper, 1/4" aluminum and steel.

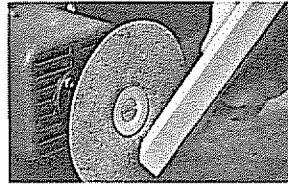


CUT LONG LENGTHS

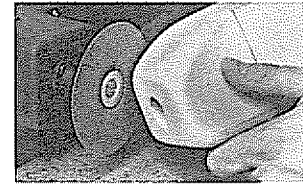


BEVEL CUT

It's a Disc Sander—For shaping small pieces, sanding rough edges, trueing up uneven surfaces. Three disc grits permit fine, medium, coarse sanding.



SAND BEVELS



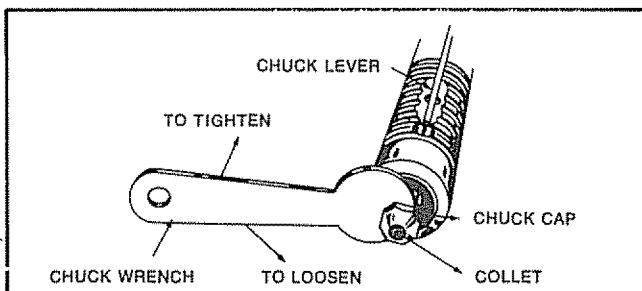
CONTOUR

For more pleasure and versatility add kit 2471

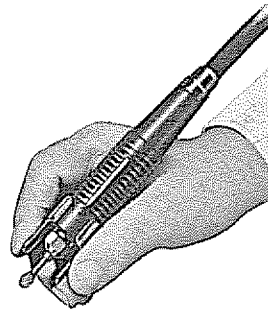
Attaching Flexible Shaft—Be sure MOTOR IS RUNNING before the cable is engaged. **DO NOT REMOVE OR LOOSEN SCREW IN NYLON COUPLING.** Insert the black nylon coupling over the power take-off. Push the coupling on as far as it will go, and hold in place by turning the coupling counterclockwise. To prevent the cable from becoming disconnected while the machine is running, simply grasp the handpiece and twist the cable one-half turn counterclockwise.

Flexible Shaft Handpiece—The handpiece is equipped with a chuck accommodating 3 collet sizes: 1/8" . . . 3/32" . . . 1/16". This handpiece does not require oiling or adjustments.

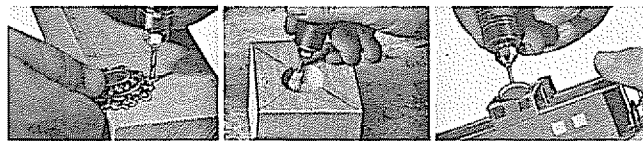
Chuck—Consists of chuck lever, chuck cap and collet. **Do not attempt to operate chuck lever while shaft is running.** Depress chuck lever and rotate chuck cap by hand until lock pin snaps into place, and stops the chuck cap from running. Place chuck wrench over chuck cap and loosen as shown in the illustration. The chuck lever must be kept depressed during this operation. Any accessory or drill should be inserted into the collet as far as possible to prevent wobble during operation. Now tighten chuck cap as shown keeping lever depressed. Avoid excessive tightening of the chuck cap.



Lightweight, plastic hand-piece handles easily as a pencil. Accommodates 1/32", 1/18", 3/32" and 1/8" collets Capacity 0135 to 1/8". Features oilless bronze bearing, quick-action chuck and neoprene covered shaft.



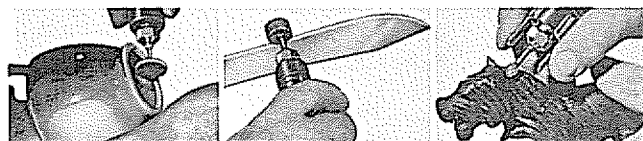
FLEXIBLE SHAFT PROVIDES EXTRA VERSATILITY



DRILLING

ROUTING

DEBURRING



GRINDING

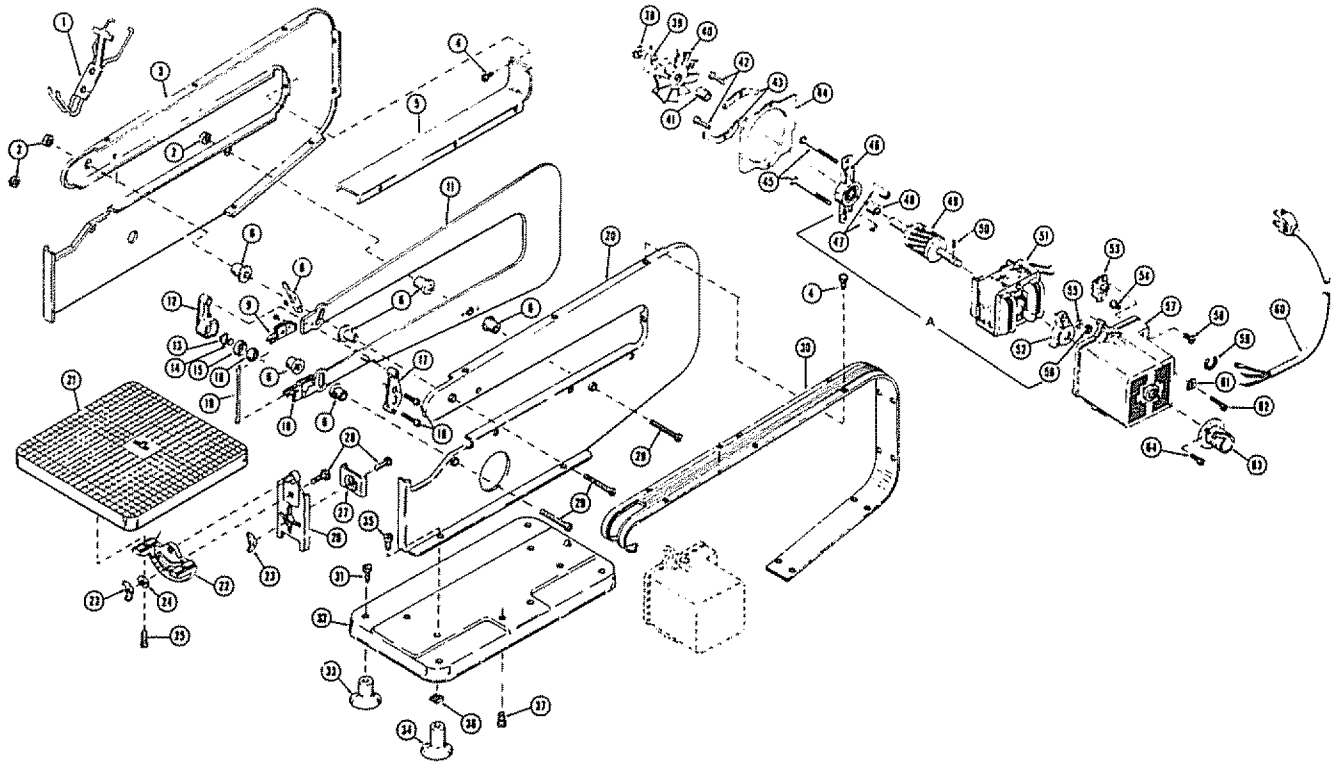
SHARPENING

CARVING

Finger Grip—A finger grip attachment is included as part of this kit. It easily slips onto the front of the hand-piece and is used for precise control when doing close tolerance work.

For best results, use the flexible shaft with a delicate touch. To prevent stalling the motor, press the tool lightly against the work, and never force the tool beyond its capacity.

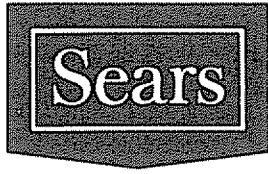
PARTS LIST FOR CRAFTSMAN MOTORIZED SCROLL SAW MODEL NO. 572.24700



ORDER BY PART NUMBER NOT BY CODE NUMBER

Code	Part Number	Description	Code	Part Number	Description
1	4046	Guard	34	4023	Long Suction Cup
* 2	4035	Hex Nuts No. 10-32	* 35	3027	Base Screw No. 10-32 x 3/8
3	15071	Left Side Frame	* 36	4064	10-32 Square Nut No. 10-32
* 4	4033	Trim Screws No. 4 x 3/8 Type A	* 37	4072	Motor Mounting Screw No. 10/24 x 3/8 Type 23
5	15021	Frame Cover	38	15076	Felt Washer
6	15068	Nylon Guide	39	15026	Counter Weight (Compl. with Set Screw)
8	15012	Blade Lock Cam	40	15091	Fan
9	15011	Pair Upper Blade Holders	41	15085	Fan Spacer
10	15014	Pair Lower Blade Holders	* 42	4063	Bearing Bracket Screws No. 10-24 x 5/8 Type 23
11	15010	Bow Complete	43	15078	Baffle Keepers (2 required)
12	15006	Connecting Link Half A	44	15086	Fan Baffle
13	15077	Bow Washer	45	15029	Field Bolt (2 required)
14	15076	Felt Disc	46	4209	Bearing Bracket (Compl. with Bearing)
15	15008	Bearing Seat	47	15088	Field Bolt Spacer
16	15025	Link Bearing	48	15079	Rotor Spacer
17	15007	Connecting Link Half B	49	15089	Rotor
* 18	15036	Head Screw No. 6-20 x 5/8 Type 25	50	4230	Spiral Pin
19	8029	Fine Tooth Blade	51	15005	Field Complete
19	8030	Coarse Tooth Blade	52	15090	Bearing Bracket (with Bearing)
20	15018	Right Frame Side	53	4013	Switch
21	15002	Table	* 54	8038	Ground Screw No. 6-32 x 3/8" Type 23
22	4005	Table Tilting Bracket	* 55	4067	Lockwasher No. 10
* 23	4032	Wing Nut No. 10-24	* 56	4035	Nut, Hex No. 10-32
* 24	3032	Washer No. 10	57	4001	Motor Housing
* 25	4030	Tilt Bracket Screw No. 10-24 x 5/8 Type 23	* 58	4033	Switch Screw No. 4 x 3/8 Type A
26	4004	Table Bracket	59	4016	Strain Relief
27	4022	Table Clamp	60	4038	Cord
28	4031	Carriage Bolt 3/16-24 3/4" (2 required)	61	4068	Screw Keeper
* 29	15034	Bow Pivot Screw (3 required) No. 10-32 x 1 1/4	62	4040	Upper Motor Mounting Screw
30	15020	Trim Strip	63	4208	Housing Extension
* 31	4060	Suction Cup Screw No. 10 Type A	* 64	4225	Housing Extension Screw No. 6-32 x 3/8 Type 23
32	4019	Base	A	15084	Complete Motor Assembly (Less Housing)
33	15087	Short Suction Cup		405015	owners manual (not illustrated)

*Standard Hardware Item—
May Be Purchased Locally



*owners
manual*

**MODEL NO.
572.24700**

**Sears
SERVICE
is at
YOUR
SERVICE
wherever YOU
live or move
in the U.S.A.**

How to ORDER Repair Parts

The Model Number will be found on a plate attached to your Saw at the rear of the base. Always mention the Model Number when requesting service or repair parts.

All parts listed herein may be ordered through SEARS, ROEBUCK AND CO or SIMPSONS-SEARS LIMITED. When ordering parts by mail, selling prices will be furnished on request or parts will be shipped at prevailing prices and you will be billed accordingly.

WHEN ORDERING REPAIR PARTS, ALWAYS GIVE THE FOLLOWING INFORMATION AS SHOWN IN THIS LIST.

1. The PART NUMBER
2. The PART DESCRIPTION
3. The MODEL NUMBER 572.24700
4. The NAME OF ITEM—SCROLL SAW/SANDER

Your Sears merchandise takes on added value when you discover that Sears has over 2,000 Service Units throughout the country. Each is staffed by Sears-trained, professional technicians using Sears approved parts and methods.