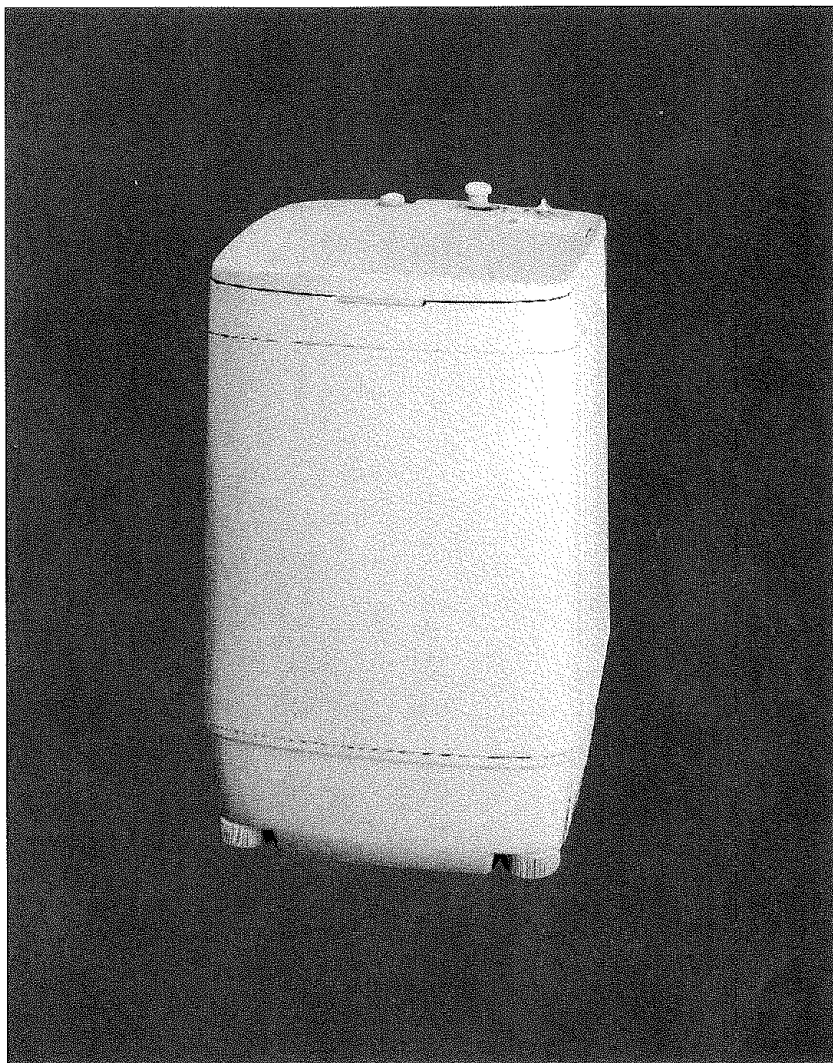


COMPACT, PORTABLE WASHING MACHINE XQBM15-D XQBM22-C



Contents

Important safeguards	Pg.1
Parts	Pg.2
Installation Instructions	Pg.2
Operating Instructions	Pg.6
Maintenance	Pg.8
Trouble Shooting	Pg.9
Warranty	Pg.10

IMPORTANT SAFEGUARDS

WARNING:

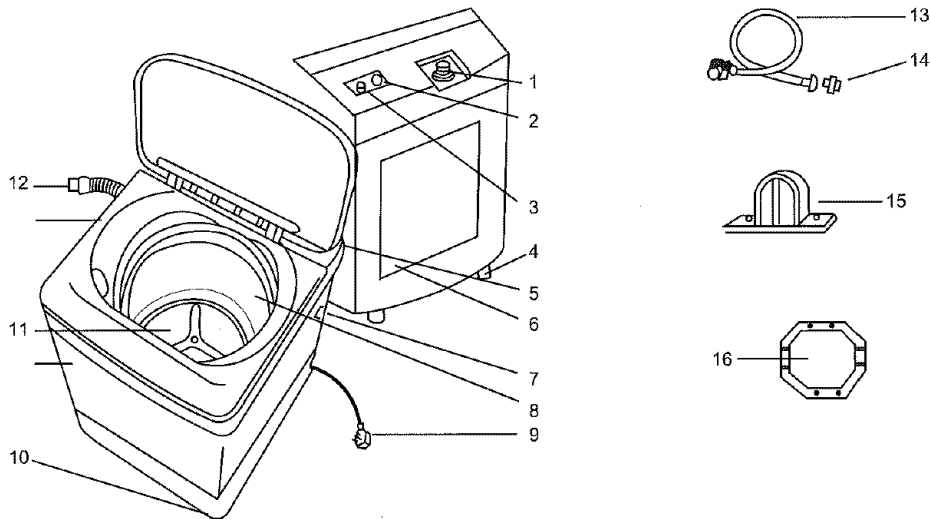
Read all instructions before using this appliance.

When using this appliance, always exercise basic safety precautions, including the following:

- 1) Use this appliance only for its intended purpose as described in this use and care guide.
- 2) This washing machine must be properly installed in accordance with the installation instructions before it is used. See grounding instructions in the installation section.
- 3) Never unplug the machine by pulling on the power cord. Always grip plug firmly and pull straight out from outlet.
- 4) Repair or replace immediately, all electric service cords that have become frayed or otherwise damaged. Do not use a cord that shows cracks or abrasion damage along its length or at either the plug or connector end.
- 5) Do not wash articles that have been previously cleaned in, washed in, soaked in, or spotted with gasoline, dry cleaning solvents, other flammable or explosive substances. These substances give off vapors that could ignite or explode. Do not add any of these substances to washing water to aid in cleaning. This could also lead to fire or explosion.
- 6) Do not reach into machine if the tub, agitator, or drum is moving.
- 7) Do not put your hand(s) under the machine during operation. Moving parts may cause injury to your hand(s).
- 8) Do not install or store machine where it will be exposed to weather, direct sunlight, freezing temperatures or near radiator or heat source.
- 9) Do not tamper with controls or circuitry.
- 10) Do not repair or replace any part or attempt any servicing unless it is specifically recommended in this use and care guide.
- 11) Do not use hot water that exceeds 131°F(55°C) in temperature.
- 12) Do not overload your electrical outlet. Machine should be plugged directly into wall without the use of outlet strips or multi-plug adapters.

PARTS

1. Water inlet valve
2. Cycle selection knob
3. Water level knob
4. Rear foot(fixed)
5. Lid
6. Back cover
7. Handle
8. Inner tub.
9. Power cord
10. Leveling leg
11. Pulsator
12. Drain Hose
13. Water inlet hose
14. Faucet – to – hose coupling
15. Hose hole plug(XQBM15-D only)
16. Base board



Installation Instructions

1. ELECTRICAL CONNECTION

WARNING—For personal safety, this appliance must be properly grounded.

In the event of an electrical short circuit, grounding reduces the risk of electric shock by providing an escape wire for the electric current. This appliance is equipped with a cord having a grounding wire with a grounding plug. The plug must be plugged into an outlet that is properly installed and grounded. Consult a qualified electrician or service center if the grounding instructions are not completely understood. If doubt exists as to whether the appliance is properly grounded, have a qualified electrician check the circuit to make sure the outlet is properly grounded.

Do not under any circumstance, cut or remove the third(ground)prong from the plug.

USE OF EXTENSION CORDS

Avoid use of extension cords because of potential safety hazards under certain conditions. If it is necessary to use an extension cord, use only a 3-wire extension cord that has a 3-blade grounding plug and a 3 slot wall outlet that will accept the plug. The marked rating of the extension cord must be equal to or greater than the electrical rating of the appliance.

2. Location

- (A) Place unit in a dry spot, out of sunlight.
- (B) Do not place in location subject to freezing temperatures.
- (C) Install on a firm, level surface.
- (D) Do not install on carpeting. Air must circulate under unit.

3. Base Board Assembly

The drain hose on model XQBM15-D can be reversed to drain from either side of machine. Direct hose out whichever side you prefer. The side without hose will have an open hose channel. Close channel by installing "Hose Hole Plug" .

To install "Base Board" lay front of unit on drop cloth or other soft material to avoid scratching.

Note: leave Styrofoam insert in inner tub for this step. This will prevent damage to inner springs. Install the base board to the bottom of unit with 8 screws (included, do not over-tighten). You may have to adjust base board from side to side to fit into position.

4. Leveling Legs

Place machine in position where it will be used. Check unit for level (you may want to use a level for this). Rear legs (feet) are fixed and front legs are adjustable. You can adjust unit for level by loosening white outer hub on front legs and then turn black leveling legs (in center of white hub, see illustration 2). Turn black leveling legs clockwise to lower and counterclockwise to raise. When level is obtained, retighten white outer hub.

You may not have a level and sometimes even with a level, you may find that the machine vibrates excessively or rocks from side to side during spin cycle. In this case, try to determine low side during and adjust leveling leg up on that side. Often a "trial and error" method is best for this procedure. Please note that some vibration is normal.

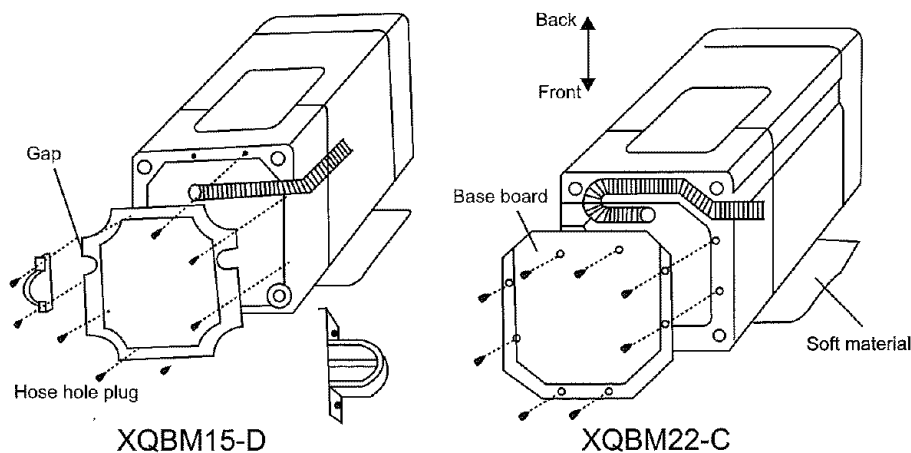


Illustration 1

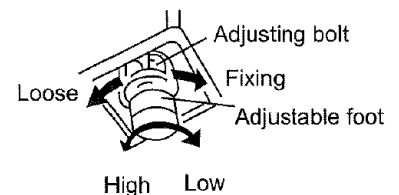


Illustration 2

5. Drain Hose

Run the drain hose into your sink. Slide the goose neck support into position at the lip of the sink. This will hold the hose into place and limit its movement. Please note that the distance from the bottom of machine to lip of sink can not be greater than four feet. (See illustration 3)

6. Water Supply

Remove the aerator from your faucet spout and determine what faucet type you have (see illustration 4). Please follow one section below specific to your faucet.

* For Outside Thread (see illustration 4A)

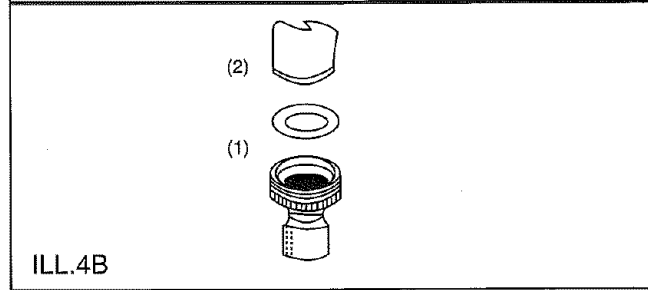
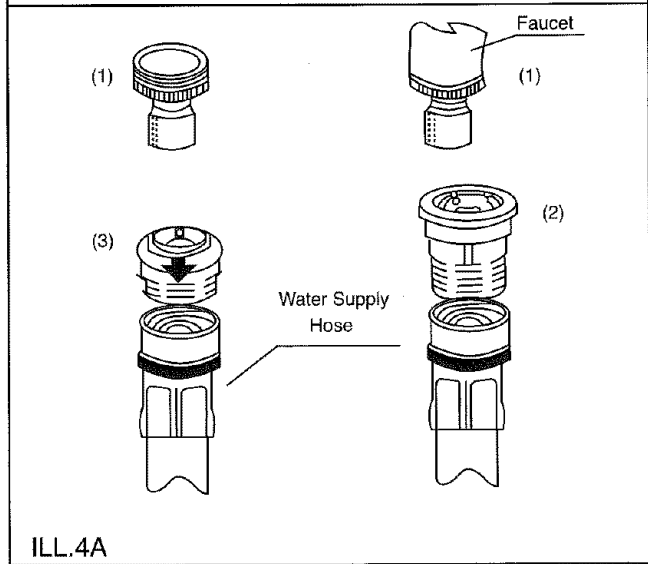
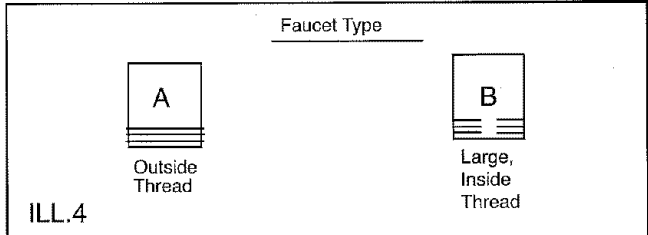
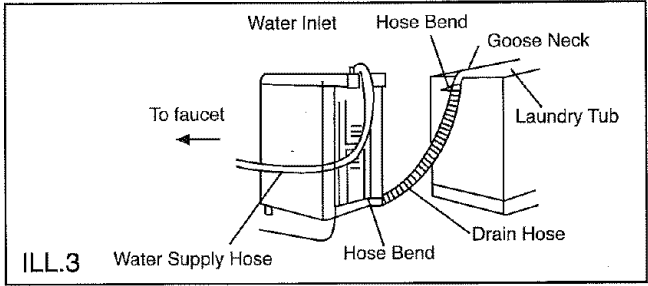
- (A) Make sure rubber washer is seated in silver faucet connector.
- (B) Screw connector on to faucet.
- (C) Pull down the collar on the universal joint and push universal joint onto faucet connector. Release collar. Universal joint should snap snugly into place.
- (D) Insert rubber washer into the other end of water supply hose and connect to the water inlet valve on top of washing machine.

* For Large Inside Thread (see illustration 4B)

- (A) Insert large rubber washer into the silver faucet connector.
- (B) Screw faucet connector into faucet.
- (C) Follow steps C and D above.

Note: (1) The first time you use your machine, inspect carefully for leaks. If a leak occurs, double check your connections and if necessary, call service hotline for assistance.

- (2) One end of the inlet hose is marked with red color, this end should be connected to the washing machine.



4. Wash Sequence

- A. Connect water inlet hose and drain hose as explained in the "Installation Instructions" section.
- B. Plug machine into a properly grounded electrical outlet.
- C. Turn on the water to faucet. (Note: Use cold or warm water. Do not use very hot water as it may damage machine.)
- D. Load garments into machine.
- E. Select water level.
- F. Push in selector knob and turn it clockwise to desired wash cycle. Pull knob out to start machine.
- G. Add laundry detergent and close lid.
- H. When wash cycle is complete, a buzzer will sound and machine will shut off. At this time push selector knob in, turn off tap water and unplug machine.
- I. Remove garments from machine.
- J. Turn off tap water and unplug machine.
- K. When disconnecting inlet and drain hoses, please be aware that some residual water may spill. Have dish rags on hand for any accidental spills. Hang hoses from hole on side of machine.

Maintenance

1. Lint Trap

The XQBM22-C has a lint trap. Please remove and clean trap after each use or whenever it accumulates lint.

2. Water Inlet Valve

Over time the screen in "Water inlet valve" can accumulate dirt and debris and clog. Additionally, lime and other sediments in water can accumulate and form a crust around valve. Periodically, clean water inlet valve and screen with a small brush or toothbrush and rinse.

3. Cleaning The Cabinet

Periodically clean the cabinet with a soft cloth and mild detergent. Do not use thinners, gasoline or other strong solvents.

Trouble Shooting

Sometimes your machine won't function properly. Often this is due to something simple and it usually can be rectified easily. The chart below illustrates potential problems and their solutions.

Problem	Check	Solution
Machine won't work	Power cord	Make sure cord is securely plugged in & circuit breaker is not blown
After wash & rinse, machine won't spin	Is lid closed securely?	Close lid securely
Machine vibrates and rocks around	Level & load balance	Open lid and balance clothes in machine. Level machine by adjusting front leveling legs.
Machine stops in middle of spin cycle	Level & load balance	Open lid and balance clothes in machine. Level machine by adjusting front leveling legs.
The machine makes excessive noise	Level & load balance	Open lid and balance clothes in machine. Level machine by adjusting front leveling legs.
The tap water leaks	Connections	Did you insert appropriate washers? Is snap coupling secured properly?
Spin cycles starts and stops	Level & load balance	Machine is programmed to do this to balance load. You may want to balance load yourself.

If you have tried the above remedies and if your machine still functions improperly, please call our customer service hotline for assistance. **Do not attempt to service the machine yourself.**

Specifications

	XQBM15-D	XQBM22-C
Power Requirements:	110 Volt AC/60Hz	110 Volt AC/60Hz
Power consumption	Wash=220 Watts, Spin=275 Watts	Wash=240 Watts, Spin=295 Watts
Rated wash/spin capacity	3.3 Pounds	4.9 Pounds
Water capacity	Low=1.85, Medium=3.96, High=5.28 gal.	Low=3.17, Medium=5.81, High=7.92 gal.
Spin extractor speed	800 RPM	800 RPM
Unit dimensions	16.2"X16.4"X27.5"(WDH)	16.8"X16.4"X30.7"(WDH)
Unit weight	40.4 pounds	48.3 pounds

Haier® Limited Warranty

Compact Washing Machines-CARRY-IN SERVICE

What is covered and for how long?

This warranty covers all defects in materials and workmanship in technical and electrical parts (including labor costs) contained in this Haier® product for a period of 12 months from the date of purchase.

For commercial or rental applications, the warranty period is 90 days.

YOU MUST KEEP AND BE ABLE TO PROVIDE YOUR ORIGINAL SALES SLIP AS PROOF OF THE DATE OF PURCHASE

Who is covered?

The original retail purchaser of this Haier® product.

What will be done?

Haier® will repair or replace (including labor costs) any mechanical or electrical part or the motor which proves defective in normal household use for a period of 12 months.

How can you get service?

- (1) Contact your nearest Haier® authorized Service Depot. For the name of your nearest authorized Service Depot, contact Haier® at (877)337-3639.
- (2) Bring your defective unit to service depot for repair.
- (3) All service must be performed by a Haier® authorized Service Depot.

THIS WARRANTY COVERS UNITS WITHIN THE CONTINENTAL UNITED STATES AND PUERTO RICO AND DOES NOT COVER:

- * Adjustment of consumer operated controls as explained in the owners manual.
- * Any product whose serial number has been altered, defaced or removed.
- * Hoses, knobs, joint parts, lint trays and all attachments, accessories, and disposable parts.
- * Repair of damages from improper installation.
- * Damages in shipping.
- * Defects other than manufacturing defects.
- * Damages from misuse, abuse, accident, alteration, lack of proper care and maintenance or incorrect current or voltage.
- * Damages from other than normal household use.
- * Damages from service by unauthorized dealer or service center.
- * Any transportation and shipping charges.
- * Labor, service, transportation and shipping charges for the removal of defective part and installation of replacement part beyond the initial 12 month period.

THIS LIMITED WARRANTY IS GIVEN IN LIEU OF ALL OTHER WARRANTIES, EXPRESS OR IMPLIED, INCLUDING THE WARRANTIES OF MERCHANTABILITY AND FITNESS FOR A PARTICULAR USE.

The remedy provided in this warranty is exclusive and is granted in lieu of all other remedies. This warranty does not cover incidental or consequential damages. Some states do not allow the exclusion of incidental or consequential damages, so the above limitation may not apply to you. Some states do not allow limitations on how long an implied warranty lasts, so the above limitation may not apply to you. This warranty gives you special legal rights and you may also have other rights which vary from state to state.