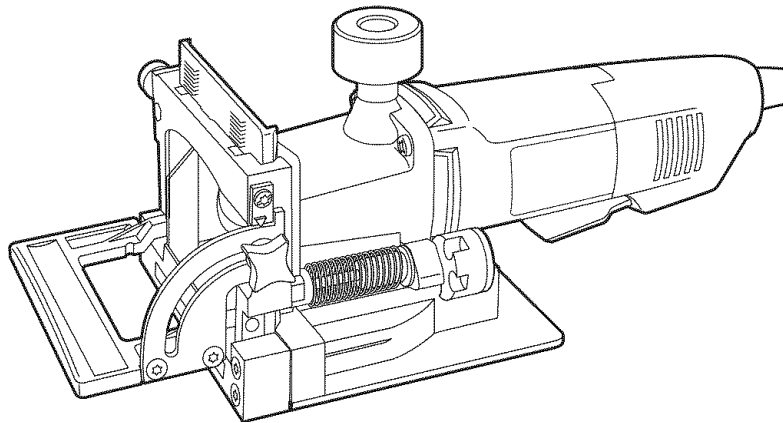


Operator's Manual



PLATE JOINER

Model No.
900.277303



CAUTION: Read and follow all Safety Rules and Operating Instructions before First Use of this Product.

- **Safety**
- **Operation**
- **Maintenance**
- **Parts List**
- **Español pg. 14**

Sears, Roebuck and Co., Hoffman Estates, IL 60179 USA

Form No. 631088-00

AUG05

ONE YEAR FULL WARRANTY ON CRAFTSMAN PROFESSIONAL TOOL

If this Craftsman Professional tool fails to give complete satisfaction within one year from the date of purchase, RETURN IT TO ANY SEARS STORE OR PARTS & REPAIR CENTER OR OTHER CRAFTSMAN OUTLET IN THE UNITED STATES FOR FREE REPAIR.

This warranty gives you specific legal rights, and you may also have other rights which vary from state to state.

Sears, Roebuck and Co., Dept. 817WA, Hoffman Estates, IL 60179

IMPORTANT SAFETY INSTRUCTIONS

▲WARNING: When using electric tools, basic safety precautions should always be followed to reduce risk of fire, electric shock, and personal injury, including the following:

READ ALL INSTRUCTIONS

DOUBLE INSULATION

Double insulated tools are constructed throughout with two separate layers of electrical insulation or one double thickness of insulation between you and the tool's electrical system. Tools built with this insulation system are not intended to be grounded. As a result, your tool is equipped with a two prong plug which permits you to use extension cords without concern for maintaining a ground connection.

NOTE: Double insulation does not take the place of normal safety precautions when operating this tool. The insulation system is for added protection against injury resulting from a possible electrical insulation failure within the tool.

▲CAUTION: WHEN SERVICING USE ONLY IDENTICAL REPLACEMENT PARTS. Repair or replace damaged cords.

POLARIZED PLUGS

Polarized plugs (one blade is wider than the other) are used on equipment to reduce the risk of electric shock. When provided, this plug will fit into a polarized outlet only one way. If the plug does not fit fully into the outlet, reverse the plug. If it still does not fit, contact a qualified electrician to install the proper outlet. Do not change the plug in any way.

- **KEEP WORK AREA CLEAN.** Cluttered areas and benches invite injuries.
- **CONSIDER WORK AREA ENVIRONMENT.** Don't expose power tools to rain. Don't use power tools in damp or wet locations. Keep work area well lit. Do not use tool in presence of flammable liquids or gases.
- **GUARD AGAINST ELECTRIC SHOCK.** Prevent body contact with grounded surfaces. For example; pipes, radiators, ranges, and refrigerator enclosures.
- **KEEP CHILDREN AWAY.** Do not let visitors contact tool or extension cord. All visitors should be kept away from work area.
- **STORE IDLE TOOLS.** When not in use, tools should be stored in dry, and high or locked-up place - out of reach of children.
- **DON'T FORCE TOOL.** It will do the job better and safer at the rate for which it was intended.
- **USE RIGHT TOOL.** Don't force small tool or attachment to do the job of a heavy-duty tool. Don't use tool for purpose not intended.
- **DRESS PROPERLY.** Do not wear loose clothing or jewelry. They can be caught in moving parts. Rubber gloves and non-skid footwear are recommended when working outdoors. Wear protective hair covering to contain long hair. Air vents often cover moving parts and should also be avoided.
- **USE SAFETY GLASSES.** Also use face or dust mask if operation is dusty.
- **DON'T ABUSE CORD.** Never carry tool by cord or yank it to disconnect from receptacle. Keep cord from heat, oil, and sharp edges.

- **SECURE WORK.** Use clamps or a vise to hold work. It's safer than using your hand and it frees both hands to operate tool.
- **DON'T OVERREACH.** Keep proper footing and balance at all times.
- **MAINTAIN TOOLS WITH CARE.** Keep tools sharp and clean for better and safer performance. Follow instructions for lubricating and changing accessories. Inspect tool cords periodically and if damaged, have repaired by authorized service facility. Inspect extension cords periodically and replace if damaged. Keep handles dry, clean, and free from oil and grease.
- **DISCONNECT OR LOCK OFF TOOLS** when not in use, before servicing, and when changing accessories, such as blades, bits, cutters.
- **REMOVE ADJUSTING KEYS AND WRENCHES.** Form habit of checking to see that keys and adjusting wrenches are removed from tool before turning it on.
- **AVOID UNINTENTIONAL STARTING.** Don't carry tool with finger on switch. Be sure switch is off when plugging in.
- **EXTENSION CORDS.** Make sure your extension cord is in good condition. When using an extension cord, be sure to use one heavy enough to carry the current your product will draw. An under-sized cord will cause a drop in line voltage resulting in loss of power and overheating. The following table shows the correct size to use depending on cord length and nameplate ampere rating. If in doubt, use the next heavier gage. The smaller the gage number, the heavier the cord.

Volts	Minimum Gage for Cord Sets			
	Total Length of Cord in Feet			
120V	0-25	26-50	51-100	101-150
240V	0-50	51-100	101-200	201-300
Ampere Rating		AWG		
More Than	Not more Than			
0 - 6	18	16	16	14
6 - 10	18	16	14	12
10 - 12	16	16	14	12
12 - 16	14	12	Not Recommended	

- **OUTDOOR USE EXTENSION CORDS.** When tool is used outdoors, use only extension cords intended for use outdoors and so marked.
- **STAY ALERT.** Watch what you are doing. Use common sense. Do not operate tool when you are tired.
- **CHECK DAMAGED PARTS.** Before further use of the tool, a guard or other part that is damaged should be carefully checked to determine that it will operate properly and perform its intended function. Check for alignment of moving parts, binding of moving parts, breakage of parts, mounting, and any other conditions that may affect its operation. A guard or other part that is damaged should be properly repaired or replaced by an authorized service center unless otherwise indicated elsewhere in this instruction manual. Have defective switches replaced by authorized service center. Do not use tool if switch does not turn it on and off.

ADDITIONAL SAFETY INSTRUCTIONS

⚠CAUTION: Wear appropriate personal hearing protection during use. Under some conditions and duration of use, noise from this product may contribute to hearing loss.

⚠WARNING: Some dust created by power sanding, sawing, grinding, drilling, and other construction activities contains chemicals known to cause cancer, birth defects or other reproductive harm. Some examples of these chemicals are:

- lead from lead-based paints,
- crystalline silica from bricks and cement and other masonry products, and
- arsenic and chromium from chemically-treated lumber (CCA).

Your risk from these exposures varies, depending on how often you do this type of work. To reduce your exposure to these chemicals: work in a well ventilated area, and work with approved safety equipment, such as those dust masks that are specially designed to filter out microscopic particles.

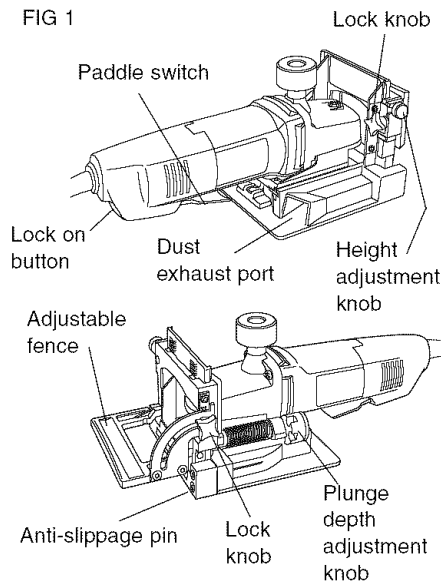
- **Avoid prolonged contact with dust from power sanding, sawing, grinding, drilling, and other construction activities. Wear**

protective clothing and wash exposed areas with soap and water.

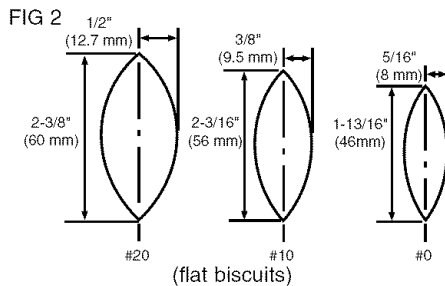
Allowing dust to get into your mouth, eyes, or lay on the skin may promote absorption of harmful chemicals.

▲WARNING: Use of this tool can generate and/or disburse dust, which may cause serious and permanent respiratory or other injury. Always use NIOSH/OSHA approved respiratory protection appropriate for the dust exposure. Direct particles away from face and body.

SAVE THESE INSTRUCTIONS



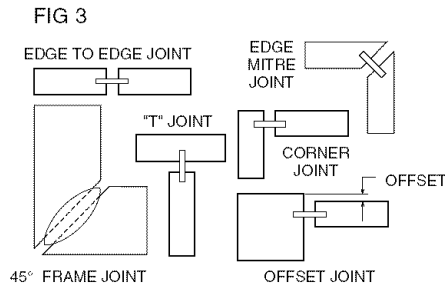
Examine Figure 1 and your plate joiner for a few minutes to become familiar with the various features and the names used to describe them. The following sections will discuss the various controls and you will need to know where they are.



OVERVIEW

You have purchased a precision wood-working tool. The function of the plate joiner is to enable you to make extremely strong and accurate joints in wood and wood by products.

The tool works by a plunging action to precisely cut crescent shaped slots for the placement of flat wooden dowels or "biscuits" like those shown in Figure 2.



The various adjustments on the patented base/fence assembly will enable you to make virtually any biscuit joint imaginable. The tool may be further enhanced by some simple jigs and fixtures that can be easily made. Some of the more common biscuit joinery applications are shown in Figure 3 and are discussed in detail in the applications section of this manual.

SWITCH

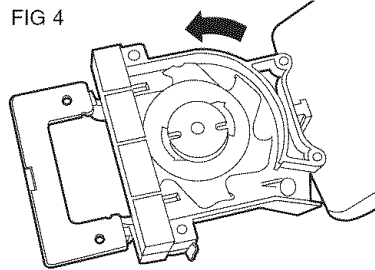
Your plate joiner has a paddle switch located on the underside, as shown in Figur 1. To turn the tool on, depress the paddle switch. To turn the tool off, release the paddle switch. To lock the tool on for continuous operation, there is a lock on button located at the rear ofr the tool just below the cord. When cutting, always hold the paddle switch and one hand on the handle. To lock the tool on, depress andhold the paddle switch as you depress the lock button. Hold the lock button in as you gently release the paddle switch. The tool will continue to run. To turn the tool off from a locked on condition, depress and release the paddle switch once.

BLADE REPLACEMENT

In time your joiner blade will wear out and need replacement.

To remove the blade, follow the steps below.

1. Turn off and unplug the plate joiner.
2. Remove the 4 torx head screws from the bottom of the shoe, using the T20 torx wrench provided.
3. Rotate the shoe out of the way.
4. Use the spanner wrench provided to loosen (counterclockwise) the blade nut. Depress the spindle lock pin on the top of the gear case to hold the spindle while you unscrew the nut.
5. Remove the blade and have it sharpened or replace it with a new one. (Available through Sears service centers.)
6. Reinstall the blade by reversing the steps above. Be sure blade teeth point counterclockwise as shown in Figure 4.



7. **IMPORTANT:** Always check the fine depth adjustment when sharpening or replacing the blade. Adjust if necessary. (See "Controls" section).

OPERATION

THE CONTROLS

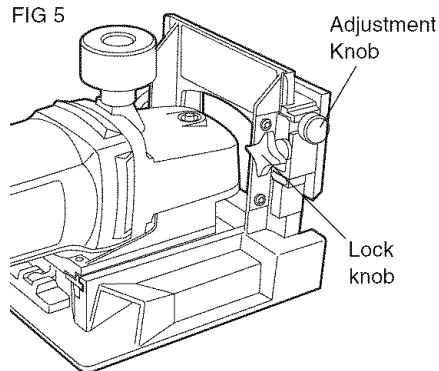
The heart of your plate joiner is the base/fence assembly. All of the controls that let you make a variety of precision cuts are located on this assembly. Take a few minutes to become familiar with the various controls.

CAUTION: Always turn off and unplug plate joiner before making any adjustments.

1. ADJUSTABLE FENCE

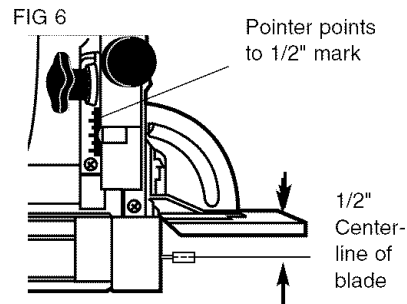
The adjustable fence provides a sturdy, precise reference surface to determine the point at which the slots for the biscuits will be cut. Its adjustable height feature allows you to position biscuit slots as close as

3/16" (4.76mm) and as distant as 1-3/8" (35mm) measured from the workpiece surface to the centerline of the blade (see Figure 6). The adjustable angle feature allows a full range of settings from 0° to 90° as well as a reverse 45° bevel which allows outside registration on mitre joints. (See Applications section under Mitre Joints, Figure 27.)



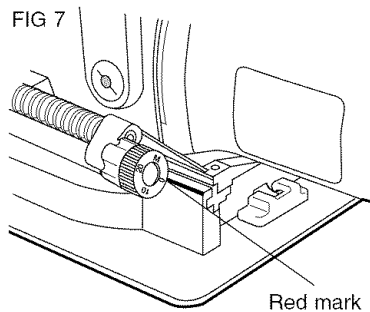
The height adjustment is accomplished by first loosening the lock knob on the right side of the fence and then rotating the knurled adjustment knob until the desired height is reached (see Figure 5).

Tightening the lock knob will then automatically align the fence parallel to the blade and lock it in position. The vertical scale and pointer located directly under the lock knob can be used to assist in setting this height. The scale readings indicate distance from the blade centerline to the fence surface when the fence is set at 90° (see Figure 6). If the depth scale ever needs to be adjusted, loosen the two screws that secure the scale and move the scale until the pointer is indicating the proper reading (see Figure 6).

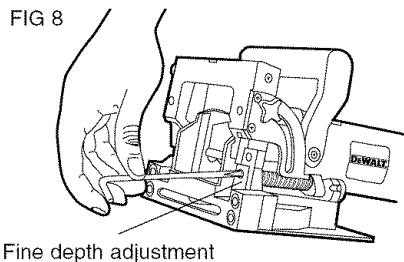


2. PLUNGE DEPTH ADJUSTMENT

The depth of cut can be set to match the dimensions of the particular size biscuit you will be using. The numbers on the depth adjustment knob (0,10,20,M) coincide with the three sizes of biscuits shown in Figure 2. The letter M stands for the maximum depth capacity of the tool which is 20mm (25/32"). This depth is obtainable only with a new blade and by backing out the fine adjustment screw (see next section).



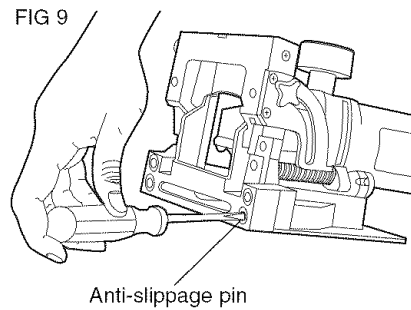
NOTE: The M setting has been provided for future use and will not be necessary for most biscuiting operations. To select a depth, align the appropriate number with the red mark scribed in the tool's housing, as shown in Figure 7. Rotate the depth adjustment knob to the desired position and it will "click" into place.



3. FINE DEPTH ADJUSTMENT

You may encounter situations where you want to leave a little looseness in your joint so that you can move it slightly before the glue sets. For these instances a fine depth adjustment has been provided. To adjust, you must first raise the adjustable fence to its uppermost position. Then insert the T20 torx wrench provided into

the opening as shown in Figure 8. Turn the depth adjustment screw clockwise for less depth and counter-clockwise for increased depth. Each full turn causes a change in depth of 1mm (0.04"). Always check the depth adjustment by first making test cuts in scrap wood.



4. ANTI-SLIPPAGE PINS

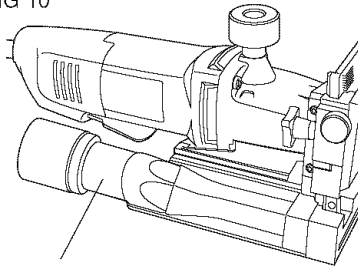
Plate Joiners tend to slide to the right with respect to the workpiece when making a cut. This tendency is increased with a dull blade or when plunging very rapidly. Anti-slippage pins have been provided to reduce this tendency and are located on the front registration surface on either side of the blade opening slot. When making some joints, you may wish to retract the anti-slippage pins so as not to scratch your workpiece in a visible area. For this purpose, simply rotate the anti-slippage pins approximately 1/6 of a turn and they will retract back behind the front registration surface. A flat blade screwdriver can be used to rotate the pins as shown in Figure 9.

5. BOTTOM REGISTRATION SURFACE

For certain applications, you will want to use the bottom surface of the plate joiner for alignment. When using the bottom registration surface, the adjustable fence should be set to 0°. The height setting is unimportant. This surface is used primarily when making 'T' joints (see applications section). The distance between the centreline of the blade and the bottom registration surface is fixed at 3/8" (9.5mm) which allows centreing on 3/4" (19mm) thick stock. The 3 red marks on the bottom registration surface indicate the centreline (or the deepest point) of the biscuit cut and

the approximate width of a #20 biscuit so that you'll know where the edge of the blade is and can prevent breakthrough. To avoid breaking through the workpiece, align the shoe so that neither outside mark extends beyond the end of the workpiece. If either side does, there is a good chance that the blade will break through the surface and ruin your work.

FIG 10



Vacuum hose connection

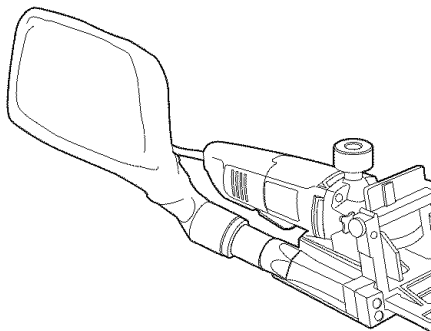
6. DUST EXTRACTION

There are two options provided for collecting dust from your plate joiner as described below.

A. Dust Adaptor (See Figure 10)

This attachment, when inserted as described above, allows the use of several common sizes of vacuum hose to be attached for direct vacuum pick-up of the dust.

FIG 11



B. Dust Bag (See Figure 11)

The dust bag provided fits snugly over the dust adaptor described above. To empty the bag, open the zipper underneath and dump dust out.

NOTE: When the bag becomes full, the dust will back-up into the adaptor and the

exhaust port on the right rear of the tool. To clean out, turn off and unplug the tool and remove packed dust. The bag will hold the dust generated from approximately 70 to 100 #20 biscuit cuts before filling up.

GENERAL OPERATION

Plate joiners are primarily used for making cabinetry and furniture, joining millwork or other similar applications where a strong, accurate joint is required in wood or wood byproducts. There are literally hundreds of variations of joints that can be made with your Plate Joiner. We will limit our discussion to six basic joints (see application section) that can be used to build on and adapt to your own applications.

The following are some basic set-up steps that will apply to all biscuit joints.

1. BISCUIT SIZE SELECTION

As mentioned earlier, the three biscuit sizes are #0, #10 and #20. It is a good rule of thumb to use the largest biscuit size that will physically fit in the application. Unless you are joining narrow face or picture frames or using 1/2" or thinner stock, you will find the #20 biscuit size to suit most applications. After selecting the biscuit size, set the depth adjustment knob to the corresponding size (see Controls section). Also, be sure the fine depth adjustment is correctly set by first testing in a scrap piece. This is extremely important as you do not want to discover during glue-up that your biscuit slots are not quite deep enough.

FIG 12

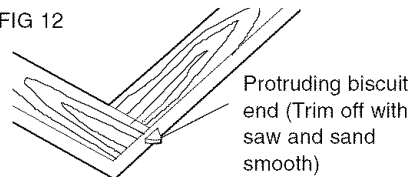
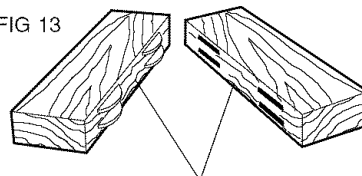


FIG 13

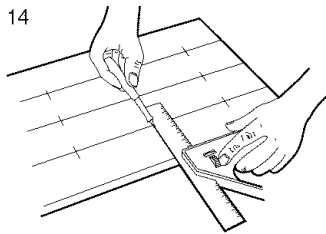


1" or greater stock thickness

2. BISCUIT LOCATION AND LAYOUT

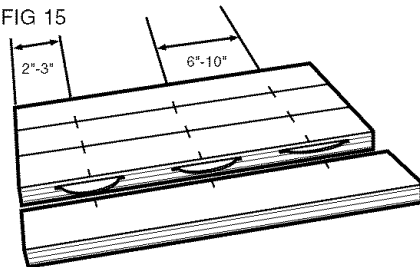
Generally, biscuits may be spaced and located at your discretion. For edge joints, a good rule of thumb is to space biscuits every 6-10 inches on centre. It is further recommended that biscuits be placed so that the centreline of the end biscuits is 2-3 inches from the end of the workpiece. When joining face frames or picture frames where the workpiece is narrow, you may have to choose the smaller biscuit sizes to keep from "breaking out" on the end of the joint. Breaking out should be avoided if possible, but if not you can assemble the joint and trim off the exposed biscuit tip after the glue sets (see Figure 12). When working with material up to 1" thick, we advise to use a single biscuit located in the approximate centre of the material thickness. If thicker stock is to be joined, you may choose to use 2 biscuits across the thickness for greater strength (see Figure 13). Biscuit locations should be marked by first positioning the mating pieces exactly as they are to be assembled.

FIG 14



Next, make a mark at 90° to the joint interface across both pieces at the desired biscuit locations (see Figure 14). See Application section for more specific information on joint layout. The marks you make will then be aligned with one of the centre registration marks on the tool, again, depending upon your specific application.

FIG 15



3. MAKING THE CUT

Prior to making any cut, be sure that all fence adjustments are set and lock knobs are tight. Also, be sure you have selected the proper depth setting. Clamp your workpiece firmly and align the plate joiner's centre registration mark with your layout mark. Turn on the tool and let the blade come up to full speed (approximately 1 second). Grasping the paddle switch and handle and positioning the fence firmly and squarely against the workpiece, plunge the blade until it bottoms against the stop. Continuing to hold the tool squarely and firmly, allow the return spring to retract the blade from the work and then release the switch to shut the tool off. It will take some practice to obtain a "feel" for the tool to produce accurate joints, so practicing in scrap wood first is advisable.

4. JOINT ASSEMBLY

After your joints are cut, you may wish to trial fit everything together before gluing. When you are satisfied with your joints, evenly spread any good quality wood-working glue in each slot as well as on the mating flat surfaces of your joint. Place biscuits in the slots, assemble the joint and clamp until dry. For a biscuit joint to be most effective, it is important that the biscuits themselves be in contact with the glue. This is because the biscuits absorb the moisture in the glue and expand to form a tight joint.

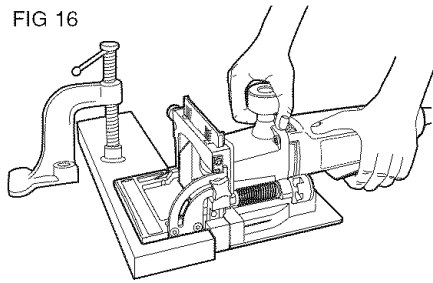
APPLICATIONS

1. EDGE TO EDGE JOINTS

This is the simplest to make and most common joint for the plate joiner. Follow the steps below to produce this joint.

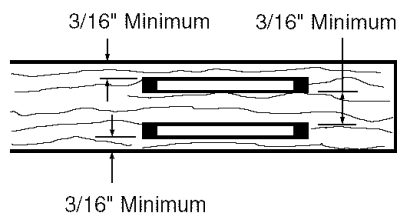
- Prepare the workpieces and lay them on a work surface exactly as they are to be assembled.
- Spacing biscuits 2-3" in from the ends and 6-10" apart, lay out the biscuit centres.
- Set up the plate joiner by first selecting the proper depth setting. Set the fence to 90°. Set the height adjustment to position the biscuit in the approximate centre of the stock thickness.

FIG 16



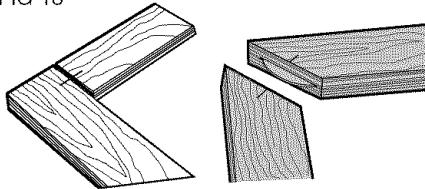
- D. Clamp the workpiece and position the tool so that the centre indicator mark lines up with the first layout mark (see Figure 16). Turn on the tool and make the plunge cut. Retract the tool and release the paddle switch to turn the tool off. Repeat for each layout mark.
- E. Glue, assemble and clamp the joint.

FIG 17



- F. For stock thicker than 1", you may wish to use double biscuits at each location. Set the height adjustment to allow at least 3/16" of stock between the biscuit and the edge of the work surface. Make all cuts at this fence setting before readjusting the fence for the lower cuts. Again, there should be at least 3/16" of stock between the biscuit and the outside wall and between the biscuits themselves (see Figure 17).

FIG 18



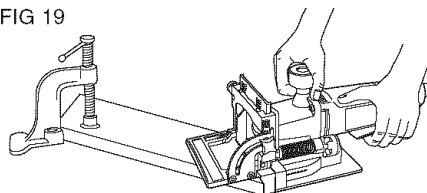
2. FRAME JOINTS

Frame joints are an ideal application for biscuit joinery. With the plate joiner you can create a very strong, precise joint that is much faster to make than a dowel or

mortise and tenon joint. Figure 18 shows two types of frame joints. Follow the steps outlined below.

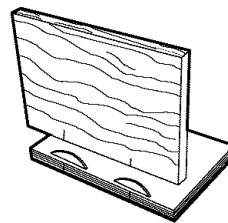
- A. Arrange the workpieces on a flat work surface exactly as they are to be assembled.
- B. Select the proper biscuit size based on the length of the joint. If the frame pieces are too narrow for a #0 biscuit, you will have to allow the biscuit tip to protrude slightly. Then trim the tip off after the joint is dry (see Figure 12).
- C. Lay out the biscuit locations.
- D. Set up the tool by selecting the depth that corresponds to the chosen biscuit size. Lock the fence at 90° and adjust the fence height to centre the biscuit on the stock thickness.

FIG 19



- E. Clamp the workpiece and position the Plate Joiner to make the first cut (see Figure 19).
- F. Turn on the tool and make the plunge cut.
- G. Repeat for each layout mark.
- H. Glue, assemble and clamp the frame.

FIG 20



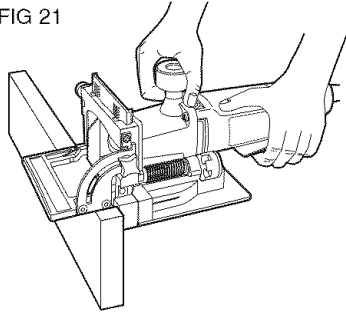
3. CORNER JOINTS (SEE FIGURE 20)

Corner joints are another common and excellent application for biscuit joinery. Follow the procedure below.

- A. Arrange the workpieces exactly as they are to be joined.
- B. Select the biscuit size and layout the biscuit locations.

- C. Set up the tool by selecting the proper depth setting, adjusting the fence to centre on the stock thickness and setting the angle to 90°.

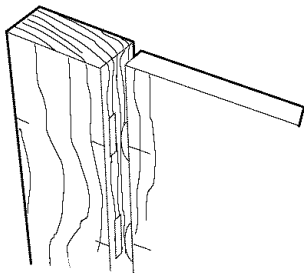
FIG 21



- D. For this joint, you will make cuts into the edge of one workpiece and the face of another. The edge cut is performed the same as for edge to edge joints. The face cut is made by clamping the workpiece and aligning the tool as shown in Figure 21. Turn the tool on, make the plunge cut and repeat for each layout mark.

- E. Glue, assemble and clamp the joint.

FIG 22



4. OFFSET JOINTS (SEE FIGURE 22)

You may wish to have a deliberate offset between two workpieces. This is easily accomplished with your plate joiner by performing the following steps.

- A. Arrange the workpieces as they are to be assembled and layout the biscuit locations.
- B. Set up the tool by selecting the proper biscuit size and adjusting the fence angle to 90°. Select the workpiece that will be set back and adjust the fence height to centre the cut within the thickness of that piece.

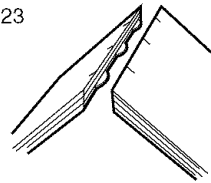
- C. Clamp the workpiece, align the tool and make the plunge cut.

- D. Next, adjust the fence up by an amount equal to the desired offset. Use the scale and pointer located on the right side of the tool under the fence lock knob.

- E. Clamp the second workpiece, align the tool and make the plunge cut.

- F. Glue, assemble and clamp the joint.

FIG 23

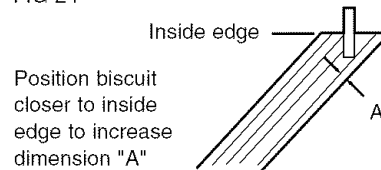


5. EDGE MITRE JOINTS (FIGURE 23)

Edge mitres are most commonly used in box structures or for making multisided pedestals where you would like to hide the end grain. Once again, biscuit joinery is an outstanding method to use both for added strength as well as ease of assembly. Follow the steps below to assemble a 90° joint.

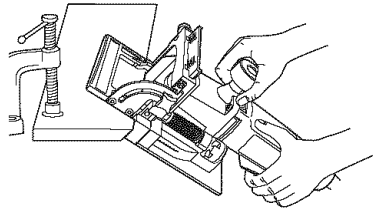
- A. Position the workpieces as they are to be assembled and layout biscuit locations on the outside of the joint.

FIG 24



- B. Set up tool by first setting fence angle to 90°. Make the fence adjustment such that the biscuit is located toward the inside of the joint where the material is thicker, then select the biscuit size so that the blade does not protrude through the outside wall when the cut is made (see Figure 24).

FIG 25



Reverse 45° bevel: Allows outside registration on mitre joints (**NOTE:** The tool is registered against the outside surface.)

- C. Clamp the workpiece and align the tool as shown in Figure 25.
- D. Turn on the tool and make the plunge cut.

FIG 26

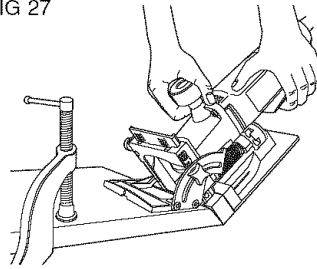
OF SIDES	JOINT ANGLE	FENCE ANGLE SETTING	
		OUTSIDE REGISTRATION	INSIDE REGISTRATION
4	90°	90°	45°
5	108°	81°	54°
6	120°	75°	60°
8	135°	67.5°	67.5°

- E. Glue, assemble and clamp the joint.
- F. For joints other than 90° see Outside Registration column in Figure 26 for proper fence angle setting.

The above method will produce a joint where the outside surfaces of the joint are aligned. If you wish to produce a joint where the inside surfaces are aligned, use the following procedures for a 90° joint.

- A. Position workpieces as they are to be assembled.
- B. Lay out biscuit locations on the inside of the angle.
- C. Set up tool by setting fence angle to 45°. Set vertical fence adjustment so that the biscuit is located toward the inside of the joint where material is thicker. Select biscuit size so that the blade does not protrude through the outside face of the material.

FIG 27

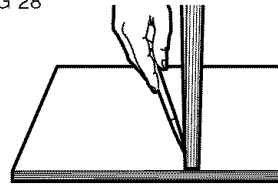


- D. Clamp the workpiece and align the tool as shown in Figure 27.
- E. Make the plunge cut and repeat for all biscuit locations.
- F. Glue, assemble and clamp the joint.
- G. For joints other than 90° see Inside Registration column in Figure 26 for proper fence angle setting.

6. T-JOINTS

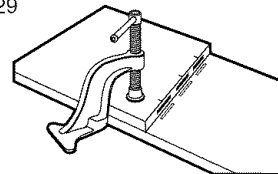
Biscuit joining is a viable alternative to dadoing when making a T-joint. T-joints are most commonly used when attaching shelves to the sides of a case. The method described below will work if your shelf material is at least 5/8" thick.

FIG 28



- A. Place the workpieces on a work surface exactly as you will be assembling them in the form of an upside down "T." Mark lightly along the joint where the top of the shelf will go (see Figure 28). Mark biscuit locations at the joint interface on the shelf piece only.

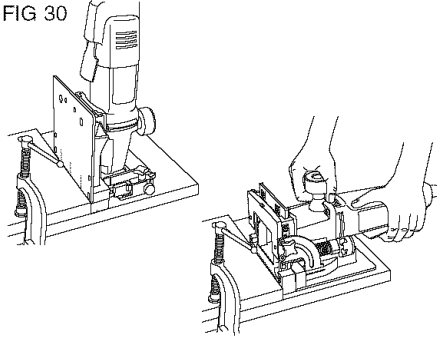
FIG 29



- B. Lay the shelf down on the mating workpiece. Clamp the two workpieces together and to the work surface in this position (see Figure 29).

- C. Set up the tool by selecting the proper biscuit size and setting the adjustable fence angle at 0°.

FIG 30



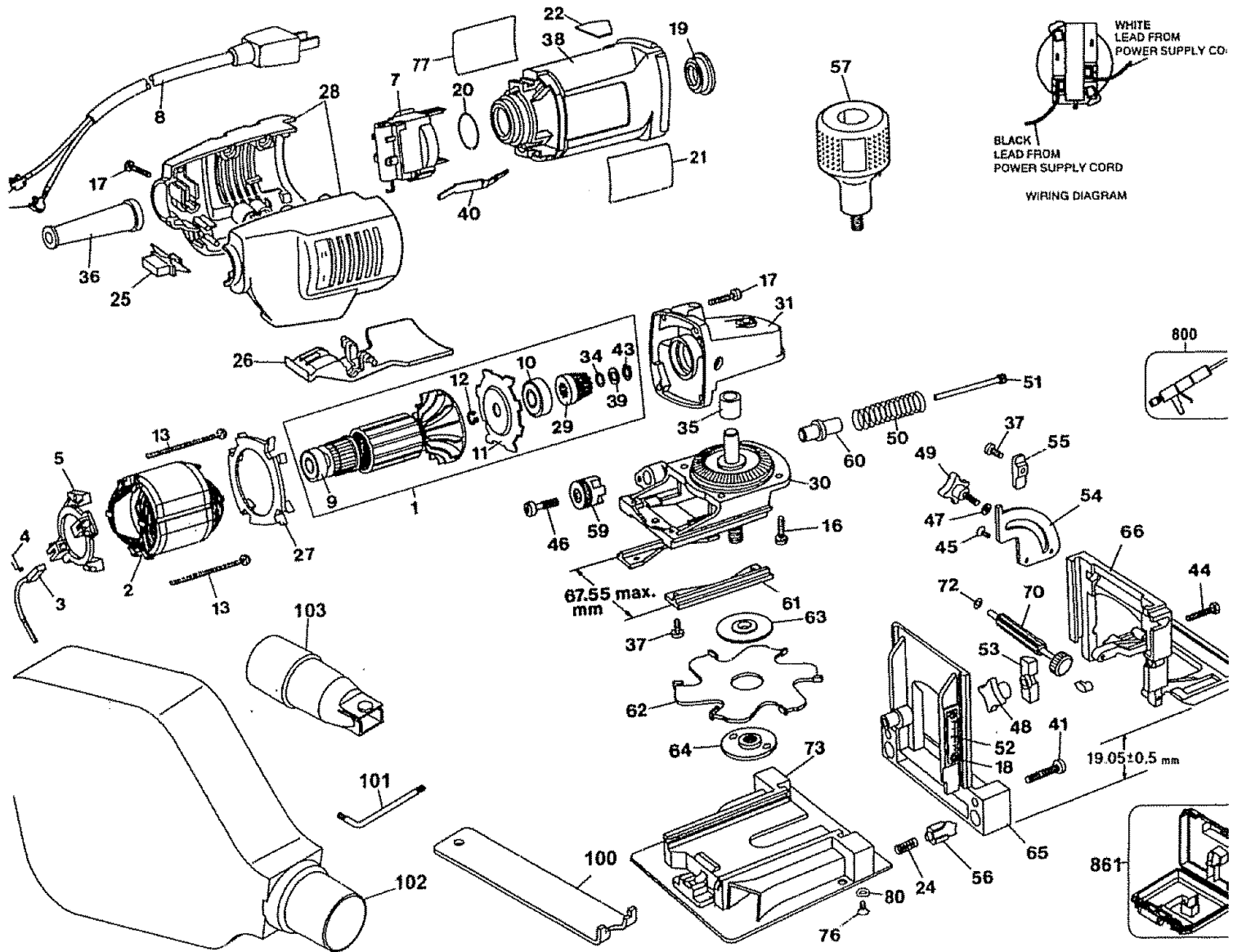
- D. Using the bottom registration surface, align the tool with the biscuit location marks and make a vertical and a horizontal plunge cut for each biscuit location as shown in Figure 30.
- E. Glue, assemble and clamp the joint.

IMPORTANT

To assure product SAFETY and RELIABILITY, repairs, maintenance and adjustment should be performed by Sears service centres.

ACCESSORIES

Recommended accessories for use with your tool are available for purchase from Sears stores or Sears service centers.



Key	Part #	Description	Key	Part #	Description
1	618066-00	ARMATURE ASY	70	147745-00	PINION
2	616325-00	FIELD	72	147799-00	O RING
3	445861-06	BRUSH	73	385914-00	BASE ASY
4	445860-00	SPRING	76	385915-00	SCREW
5	449899-05	RING	77	388880-00	ID LABEL
7	147818-00	SWITCH	80	385946-00	WASHER
8	330072-98	AC CORD	100	445871-00	WRENCH, FLAT
9	330003-04	BALL BEARING	101	152693-00	HEX WRENCH
10	330003-17	BALL BEARING	102	147734-06	BAG, DUST
11	150057-00	RETAINER, BRG	103	147794-00	ADAPTOR
12	444793-00	RING	800	283484-01	GREASE, 32 OZ
13	445880-00	SCREW	800A	761995-01	GREASE, 6 OZ
14	464228-00	TERMINAL	835	381555-02	OWNERS MANUAL
16	146929-00	SCREW	861	381553-00	CARRYING CASE
17	330019-13	SCREW			
18	330045-43	SCREW			
19	445217-02	SLEEVE			
20	700248-00	O RING			
21	618552-00	NAMEPLATE			
22	147803-03	LABEL			
24	147809-00	SPRING			
25	447847-00	LOCK BUTTON			
26	447846-00	PADDLE			
27	445876-00	BAFFLE			
28	445879-09	COVER & CAP, END			
29	152487-01	PINION			
30	147730-02	GC COVER ASY			
31	150323-00	CASE, GEAR			
34	50050-00	RING			
35	36826-00	BEARING, SLEEVE			
36	330005-01	PROTECTOR, CORD			
37	330045-05	LOCK SCREW			
38	445886-00	CASE, FIELD			
39	449559-00	WASHER			
40	445882-99	STRIP, CONACT			
41	330045-16	SCREW			
43	38751-00	RING			
44	98022-25	SCREW			
45	98102-10	SCREW			
46	147791-00	SCREW			
47	330016-07	WASHER			
48	396991-00	KNOB			
49	396992-00	KNOB			
50	147758-00	SPRING			
51	147759-00	SHAFT			
52	147797-00	SCALE			
53	147749-00	CLAMP			
54	147795-00	QUADRANT, ANGLE			
55	147786-00	STOP			
56	147753-00	PIN			
57	145439-07	KNOB			
59	147760-00	STOP			
60	147785-00	GUIDE			
61	147736-01	GIB			
62	147790-07	BLADE			
63	147725-00	WASHER			
64	151001-00	NUT			
65	147741-00	SUPPORT, CARRIER			
66	147740-01	FENCE			

UN AÑO DE GARANTÍA COMPLETA PARA LAS HERRAMIENTAS CRAFTSMAN PROFESSIONAL

Si esta herramienta Craftsman Professional no funciona a la entera satisfacción del cliente dentro del año de la fecha de compra, DEVUÉLVALA A CUALQUIER TIENDA SEARS O A UN CENTRO DE REPARACIÓN Y REPUESTOS U OTRO PUNTO DE VENTA DE PRODUCTOS CRAFTSMAN EN LOS ESTADOS UNIDOS PARA RECIBIR UNA REPARACIÓN GRATUITA.

Esta garantía le concede derechos legales específicos; pueden existir otros derechos que varían según el estado.

Sears, Roebuck and Co., Dept. 817WA, Hoffman Estates, IL 60179

Instrucciones Importantes de Seguridad

▲ADVERTENCIA: Es indispensable sujetarse a las precauciones básicas de seguridad, con la finalidad de reducir el peligro de incendio, choque eléctrico y lesiones personales, en todas las ocasiones en que se utilicen herramientas eléctricas. Entre estas precauciones se incluyen las siguientes.

LEA TODAS LAS INSTRUCCIONES

DOBLE AISLAMIENTO

Las herramientas con doble aislamiento se han elaborado de manera integral con dos capas separadas o una capa de espesor doble de aislamiento eléctrico entre usted y el sistema eléctrico que contienen. Las herramientas elaboradas con este sistema de aislamiento no requieren conectarse a tierra. Como resultado, su unidad esta equipada con una clavija de dos patas que le permite emplear cordones de extensión sin preocuparse por tener una conexión a tierra.

NOTA: El doble aislamiento no substituye a las precauciones normales de seguridad cuando se opera esta herramienta. La finalidad de este sistema de aislamiento es ofrecer a usted protección añadida contra la lesión resultante de fallas en el aislamiento eléctrico interno de la herramienta.

▲PRECAUCION: UTILICE SOLAMENTE REFACCIONES ORIGINALES CUANDO HAGA SERVICIO A SU HERRAMIENTA. Reemplace los cordones eléctricos dañados.

CLAVIJA POLARIZADA

Se emplean clavijas polarizadas (con una pata más ancha que la otra) para reducir los riesgos de choque eléctrico. Cuando el cordón eléctrico cuente con este tipo de clavija, ajustará en un contacto polarizado solamente de una manera. Si la clavija no ajusta completamente en su contacto, inviértala. Si aún así no ajusta, llame a un electricista calificado para que le instale un contacto polarizado apropiado. No modifique o haga cambios en la clavija por ningún motivo.

Instrucciones de Seguridad para todas las Herramientas

- **CONSERVE LIMPIA LA ZONA DE TRABAJO.** Las superficies y los bancos con objetos acumulados en desorden propician los accidentes.
- **OTORGUE PRIORIDAD AL AMBIENTE DE TRABAJO.** No deje las herramientas eléctricas expuestas a la lluvia. No las utilice en lugares inundados o mojados. Conserve bien iluminada la zona de trabajo. No use la herramienta en presencia de líquidos o gases inflamables.
- **PROTEJASE CONTRA EL CHOQUE ELECTRICO.** Evite el contacto corporal con superficies aterrizadas, por ejemplo, tuberías, radiadores, antenas y gabinetes de refrigeración.
- **CONSERVE APARTADOS A LOS NIÑOS.** No permita que los visitantes toquen las herramientas o los cables de extensión. Los visitantes deben estar alejados del área de trabajo.
- **GUARDE LAS HERRAMIENTAS QUE NO EMPLEE.** Las herramientas que no

se están utilizando deben guardarse en un lugar seco y elevado o bajo llave, fuera del alcance de los niños.

- **NO FUERCE LA HERRAMIENTA.** Esta cumplirá su función mejor y con más seguridad bajo las especificaciones para las que se diseñó.
- **EMPLEE LA HERRAMIENTA ADECUADA.** No fuerce a una herramienta pequeña o a sus dispositivos de montaje en un trabajo de tipo pesado. No emplee la herramienta en una tarea para la que no se diseñó.
- **VISTASE DE LA MANERA ADECUADA.** No tenga puestas ropas o artículos de joyería flojos, pues podrían quedar atrapados por las partes móviles de las herramientas. Se recomienda el empleo de guantes de caucho y calzado antiderrapante cuando se trabaja al aire libre. Cúbrase bien la cabeza para sujetarse el pelo si lo tiene largo.
- **COLOQUESE ANTEOJOS DE SEGURIDAD.** Póngase también una mascarilla contra el polvo si lo produce la operación de corte que va a efectuar.
- **TENGA MUCHO CUIDADO CON EL CORDON ELECTRICO.** Nunca levante la herramienta por el cordón ni tire de éste para desconectarlo del enchufe. Apártelo del calor y los objetos calientes, las sustancias grasosas y los bordes cortantes.
- **SUJETE FIRMEMENTE LOS OBJETOS SOBRE LOS QUE TRABAJE.** Utilice prensas o tornillos de banco para sujetar bien los objetos sobre los que va a trabajar. Esto ofrece mayor seguridad que sujetar los objetos con la mano, y además deja libres ambas manos para operar la herramienta.
- **NO SE SOBRE EXTIENDA.** Conserve en todo momento bien apoyados los pies, lo mismo que el equilibrio.
- **CUIDE SUS HERRAMIENTAS.** Conserve sus herramientas bien afiladas y limpias para que funcionen mejor y con mayor seguridad. Obedezca las instrucciones de lubricación y cambio de accesorios. Inspeccione los cordones eléctricos con frecuencia y, si los encuentra dañados, hágalos cambiar o reparar en un centro de servicio autorizado. Revise también con frecuencia las extensiones eléctricas y reemplácelas si están dañadas.

Conserve los mangos secos, limpios y libres de aceites y grasas.

- **DESCONECTE LAS HERRAMIENTAS O ASEGURELAS EN POSICION DE APAGADO.** Hágalo cuando no las emplee, antes de darles servicio y cuando vaya a cambiarles accesorios como seguetas, discos, brocas, etc.
- **RETIRE LAS LLAVES DE AJUSTE Y OTRAS HERRAMIENTAS DE MANO.** Adquiera el hábito de asegurarse de que se han retirado las llaves de ajuste de la herramienta antes de accionarla.
- **EVITE QUE LA HERRAMIENTA SE ACCIONE ACCIDENTALMENTE.** Nunca sostenga una herramienta con el dedo en el interruptor. Asegúrese que el interruptor está en la posición de "apagado" antes de conectarla.
- **CORDONES DE EXTENSION.** Asegúrese que su cordón de extensión esté en buenas condiciones. Cuando utilice un cordón de extensión, asegúrese de usar uno con el calibre necesario para soportar la corriente que su producto necesita. Un cordón de extensión de menor calibre al necesario ocasionará una caída en el voltaje de la línea, produciendo pérdida de potencia y sobrecalentamiento. La tabla 1 muestra el calibre correcto para utilizarse de acuerdo de la longitud del cordón y el amperaje nominal que se encuentra en la placa de identificación del producto. Si tiene dudas, utilice el calibre inmediato superior. Mientras más pequeño es el número del calibre, mayor capacidad tiene el cordón.

Calibre mínimo para cordones de extensión

Volts	Longitud total del cordón en metros			
120V	0-7.62	7.63-15.24	15.25-30.48	30.49-45.72
240V	0-15.24	15.25-30.48	30.49-60.96	60.97-91.44

AMPERAJE		Calibre del cordón			
Más de	No más de				
0 - 6	18	16	16	14	14
6 - 10	18	16	14	12	
10 - 12	16	16	14	12	
12 - 16	14	12	No Recomendado		

- **CORDONES DE EXTENSION PARA INTEMPERIE.** Cuando trabaje a la intemperie, utilice siempre cordones de extensión diseñados exclusivamente para esta finalidad.
- **NO SE DISTRAIGA.** Concéntrese en lo que está haciendo. Recorra al sentido común. No opere ninguna herramienta si se encuentra fatigado.

- **VERIFIQUE LAS PARTES DAÑADAS.**

Antes de seguir empleando cualquier herramienta, es indispensable verificar con mucho cuidado que las guardas u otras partes dañadas puedan operar de la manera adecuada para cumplir con su función. Verifique la alineación de las partes móviles, la firmeza con que deben encontrarse sujetas en sus montaduras, las partes rotas, las propias montaduras y cualesquiera otros detalles que pudieran afectar a la operación de la herramienta. Las guardas y las otras partes que se encuentren dañadas deberán repararse bien o cambiarse en un centro de servicio autorizado, a menos que se diga otra cosa en el manual del usuario. Haga que se cambien los interruptores dañados en un centro de servicio autorizado. No emplee ninguna herramienta que tenga inutilizado o estropeado el interruptor.

REGLAS DE SEGURIDAD ADICIONALES

▲ **PRECAUCIÓN:** Utilice la protección auditiva adecuada durante el uso de esta unidad. Bajo ciertas condiciones y duración de uso, el ruido producido por este producto puede contribuir a la pérdida auditiva.

▲ **ADVERTENCIA :** Parte del polvo creado al lijar, aserruchar, moler o perforar con máquina, así como al realizar otras actividades de la construcción, contiene sustancias químicas que se sabe producen cáncer, defectos congénitos u otras afecciones reproductivas. Algunos ejemplos de esas sustancias químicas son:

- plomo de pinturas a base de plomo,
- sílice cristalizado de ladrillos y cemento y otros productos de albañilería, y
- arsénico y cromo de la madera químicamente tratada (CCA).

El riesgo al contacto con estas sustancias varía, según la frecuencia en que se haga este tipo de trabajo. Para reducir la exposición a esas sustancias químicas: trabaje en un área bien ventilada, y trabaje con equipos de seguridad aprobados, tales como máscaras contra el polvo especialmente diseñadas para filtrar las partículas microscópicas.

- **Evite el contacto prolongado con el polvo procedente del lijado, serrado,**

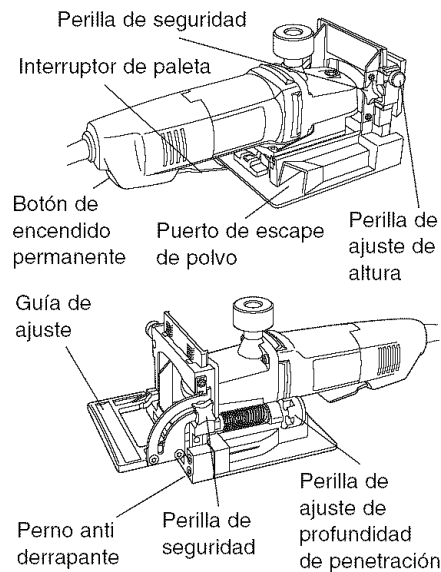
esmerilado y taladrado eléctricos, así como de otras actividades del sector de la construcción. Lleve ropa protectora y lave con agua y jabón las zonas expuestas. Si permite que el polvo se introduzca en la boca u ojos o quede sobre la piel, puede favorecer la absorción de productos químicos peligrosos.

▲ **ADVERTENCIA:** Toda persona que entre al área de trabajo deberá usar una máscara antipolvo o protección respiratoria. El filtro debería ser reemplazado a diario o cuando el usuario tenga dificultad para respirar. Puede encontrar la máscara antipolvo apropiada aprobada por NIOSH/OSHA en su ferretería local.

▲ **PRECAUCIÓN:** Cuando no se use, **guarde la herramienta en posición horizontal sobre una superficie estable, donde no interrumpa el paso o provoque una caída.** Algunas herramientas con baterías grandes se sostienen sobre la batería, pero pueden caer fácilmente.

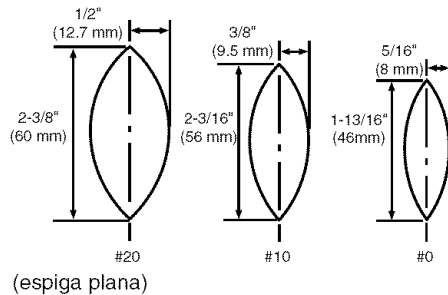
CONSERVE ESTAS INSTRUCCIONES

FIG 1



Examine la figura 1 y su ensambladora durante unos minutos para familiarizarse con las diferentes características y sus nombres. Las secciones siguientes explicarán los diferentes controles y usted deberá saber en donde se encuentran.

FIG 2

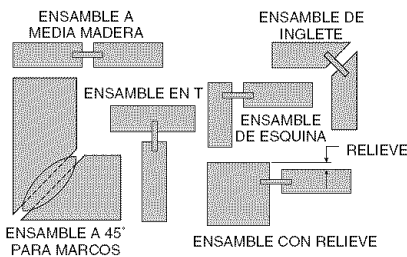


VISTAZO

Usted ha adquirido una herramienta para trabajo de precisión en madera. La función de la ensambladora es permitirle hacer ensambles extremadamente resistentes y precisos en madera y productos derivados de ella.

La herramienta trabaja a base de una función de penetración para cortar con precisión las cajas para colocar espigas planas de madera, como las ilustradas por la figura 2.

FIG 3



Los diferentes ajustes en el montaje patentado de la base y la guía le permitirán hacer casi cualquier ensamble con espigas que usted se pueda imaginar. El trabajo de la herramienta se puede mejorar con algunos cortes y arreglos sencillos que se pueden lograr fácilmente. Algunos de los tipos de ensambles con espigas más comunes se muestran en la figura 3 y se tratan a detalle en la sección de aplicaciones de este manual.

INTERRUPTOR

Su ensambladora cuenta con un interruptor de paleta localizado en la parte inferior, como se ilustra en la figura 1. Para encender la herramienta, oprima la paleta. Para apagar la herramienta, libere el interruptor. Hay un botón de encendido

permanente para asegurar la herramienta para operación continua. Este botón se encuentra en la parte trasera de la herramienta, justo por encima del cordón eléctrico. Siempre que corte sujete la herramienta con una mano en el mango del interruptor y la otra mano en el mango auxiliar. Para asegurar la herramienta en posición de operación continua, oprima el gatillo interruptor al mismo tiempo que el botón de encendido permanente. Sujete el botón de encendido permanente mientras libera el gatillo interruptor. La herramienta continuará en funcionamiento. Para apagar la herramienta desde la posición de operación continua, oprima y libere el gatillo interruptor una vez.

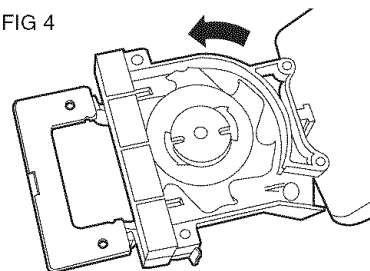
CAMBIO DE CUCHILLA

Con el tiempo, la cuchilla de su herramienta se desgastará y necesitará cambiarse.

Para sacar la cuchilla, siga los pasos descritos a continuación.

1. Apague y desconecte la ensambladora.
2. Quite los 4 tornillos con cabeza de estrella de la parte inferior de la zapata con la llave de estrella T20 que le proporcionamos.
3. Gire la zapata para apartarla del camino.
4. Con la llave de horquilla que le proporcionamos, afloje (en sentido contrario a las manecillas del reloj) la tuerca de la cuchilla. Oprima el perno de seguro de la flecha que se encuentra en la parte superior de la caja de engranes para sujetar la flecha mientras afloja la tuerca.
5. Quite la cuchilla y hágala afilar o cámbiela por una nueva. (A su disposición en los centros de servicio Sears.)

FIG 4



6. Instale de nuevo la cuchilla invirtiendo los pasos citados anteriormente.

Asegúrese que los dientes de la cuchilla apuntan en sentido contrario a las manecillas del reloj, como se observa en la figura 4.

- 7. IMPORTANTE:** Siempre revise el ajuste fino de profundidad cuando afile o cambie la cuchilla. Ajústelo de ser necesario.

(Consulte la sección "Controles".)

OPERACION

LOS CONTROLES

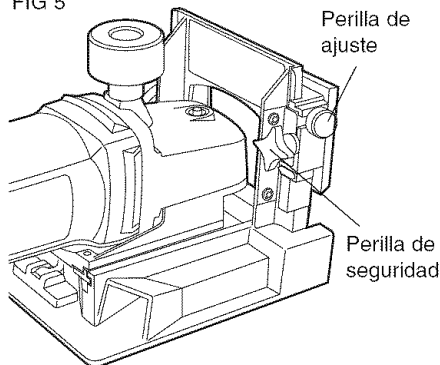
El corazón de su ensambladora es el montaje de la base y la guía. Todos los controles que le permiten efectuar cortes en diversas posiciones se localizan en este montaje. Tómese unos minutos para familiarizarse con los diferentes controles.

▲PRECAUCION: Siempre apague y desconecte la ensambladora antes de hacer cualquier ajuste.

1. GUIA AJUSTABLE

La guía ajustable proporciona una superficie de referencia fuerte y precisa para determinar el punto en el que se cortarán las cajas para las espigas. Su característica de altura ajustable le permite colocar las cajas tan cercanas como 4,76 mm (3/16") y tan distantes como 35 mm (1-3/8") medidas a partir de la superficie de la pieza de trabajo hasta la línea central de la cuchilla (observe la figura 6). La característica de ajuste de ángulo le permite variar las posiciones desde 0° hasta 90° así como en ángulo invertido de 45°, que le permite registro exterior en ensamblajes angulares. (Consulte la sección de aplicaciones, ensamblajes angulares, figura 27).

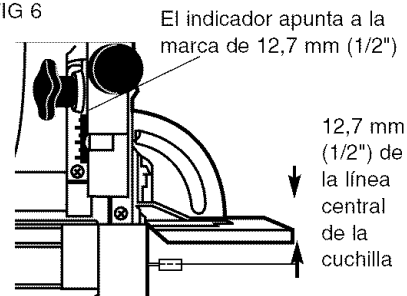
FIG 5



El ajuste de altura se logra de la siguiente manera: primero se afloja la perilla de seguridad que se encuentra al lado derecho de la guía y a continuación se gira la perilla moleteada de ajuste hasta alcanzar la altura deseada (figura 5).

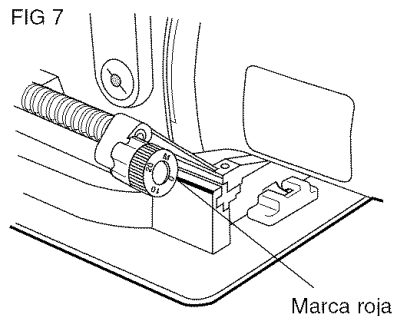
Al apretar la perilla de seguridad se alineará la guía en paralelo con la cuchilla automáticamente y se asegurará en posición. La escala vertical y el indicador localizados directamente bajo la perilla de seguridad se pueden utilizar para ayudarse a hacer este ajuste de altura. Las lecturas de la escala indican la distancia entre la línea central de la cuchilla y la superficie de la guía cuando está colocada a 90° (figura 6). Si en alguna ocasión se requiere ajustar la escala de profundidad, afloje los dos tornillos que la aseguran y muévela hasta que el indicador apunte hacia la lectura debida (observe la figura 6).

FIG 6

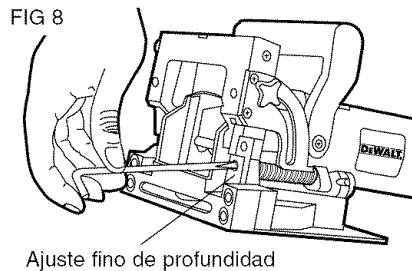


2. AJUSTE DE PROFUNDIDAD DE PENETRACION

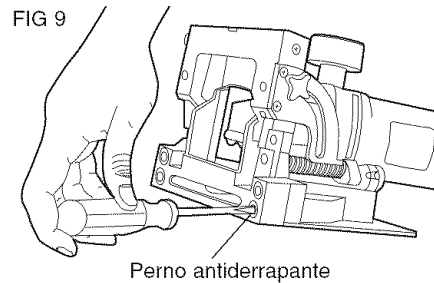
La profundidad del corte se puede ajustar de acuerdo con el tamaño de las espigas que piense utilizar. Los números en la perilla de ajuste de profundidad (0, 10, 20, M) coinciden con los tres tamaños de espigas mostradas en la figura 2. La letra 'M' equivale a la capacidad máxima de profundidad de corte de la herramienta, que es de 20 mm (25/32"). Esta profundidad se puede obtener solamente con una cuchilla nueva y sacando el tornillo de ajuste fino (consulte la siguiente sección).



NOTA: La posición 'M' se proporciona en caso de que se requiera usar y no necesariamente para la mayoría de las operaciones de ensamblaje. Para seleccionar una profundidad, haga coincidir el número apropiado con la marca roja grabada en la carcasa de la herramienta, como se observa en la figura 7. Gire la perilla de ajuste de profundidad a la posición deseada y chasqueará en su lugar.



3. AJUSTE FINO DE PROFUNDIDAD
Puede encontrarse con situaciones en las que quiera dejar un poco de juego en el ensamble para poderlo mover un poco antes que el pegamento seque. Para estas ocasiones, se proporciona un ajuste fino de profundidad. Para ajustarlo, debe levantar primero la guía ajustable a la posición más alta. A continuación inserte el destornillador de estrella T20 que le proporcionamos en la abertura, como se observa en la figura 8. Gire el tornillo de ajuste de profundidad en el sentido de las manecillas del reloj para menor profundidad y en sentido contrario a las manecillas del reloj para aumentar la profundidad. Cada giro completo cambia la profundidad en 1 mm (0,04"). Siempre revise el ajuste de profundidad haciendo cortes de prueba en material de desperdicio.



4. PERNOS ANTIDERRAPANTES

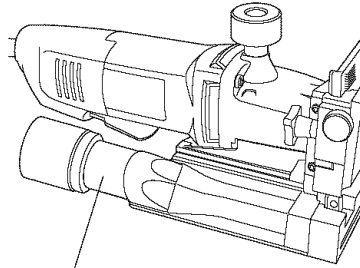
Las ensambladoras tienden a deslizarse hacia la derecha con respecto a la pieza de trabajo cuando se efectúan los cortes. Esta tendencia aumenta con el uso de una cuchilla sin filo o cuando se penetra demasiado rápidamente. Los pernos antiderrapantes se proveen para reducir esta tendencia y se localizan en la superficie de registro frontal a cualquier lado de la ranura de salida de la cuchilla. Cuando haga algunos ensambles, puede desear retraer los pernos antiderrapantes para no rayar la pieza de trabajo en una zona visible. Para este efecto, sencillamente gire los pernos antiderrapantes aproximadamente 1/6 de vuelta y se retraerán por detrás de la superficie de registro frontal. Se puede utilizar un destornillador plano para girar los pernos, como se ilustra en la figura 9.

5. SUPERFICIE DE REGISTRO INFERIOR

Para ciertas aplicaciones, usted preferirá utilizar la superficie inferior de la ensambladora para alinearse. Cuando utilice la superficie de registro inferior, la guía ajustable debe ajustarse a 0°, sin importar el ajuste de altura. Esta superficie de alineación se utiliza principalmente para hacer ensambles en 'T' (vea la sección "Aplicaciones"). La distancia entre la línea central de la cuchilla y el fondo de la superficie de registro inferior está fija a 9,5 mm (3/8") que permite centrar en madera de 19 mm (3/4"). Las 3 marcas rojas que se encuentran en la superficie de registro inferior indican la línea central (o el punto más profundo) del corte para la espiga y aproximadamente el ancho de una espiga del No. 20 para que usted sepa en dónde se encuentra el filo de la cuchilla y pueda evitar atravesar la pieza. Para evitar atravesar la pieza de trabajo, coloque la zapata de manera que ninguna

de las marcas se extienda más allá de los confines de la pieza de trabajo. Si cualquier de las marcas sobresale, existen buenas posibilidades de que la cuchilla traspase la pieza y usted arruine su trabajo.

FIG 10



Conexión para manguera de aspiradora

6. EXTRACCION DE POLVO

Su herramienta cuenta con dos opciones para recolectar el polvo de madera que su ensambladora genera, como se describe a continuación.

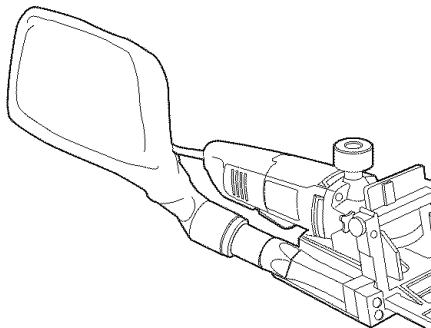
A. Adaptador para polvo (observe la figura 10).

Este dispositivo, cuando se inserta como se describe en el párrafo anterior, permite el empleo de diversos tamaños de mangueras de aspiradora para la extracción directa del polvo.

B. Bolsa para polvo (observe la figura 11).

La bolsa para polvo que viene con su ensambladora se ajusta sobre el adaptador para polvo, descrito anteriormente. Para vaciar la bolsa, abra la cremallera que se encuentra en la parte inferior y vacíe el polvo.

FIG 11



NOTA: Cuando la bolsa se llena, el polvo se regresará hacia el adaptador y el puerto de escape que se encuentra en la

parte trasera de la herramienta. Para limpiar, apague y desconecte la herramienta y saque el polvo empacado. La bolsa contendrá el polvo generado por aproximadamente 70 a 100 cortes de cajas No. 20 antes de llenarse.

OPERACION GENERAL

Las ensambladoras se utilizan principalmente en la fabricación de gabinetes y muebles para unir tablonces, o en otras aplicaciones en que se requieran uniones precisas y resistentes de piezas de madera o sus derivados. Existen literalmente cientos de variaciones de ensambles que pueden realizarse con su ensambladora. Nos limitaremos a describir seis ensambles básicos que pueden utilizarse para fabricar y adaptarse a sus propias aplicaciones.

Los siguientes son algunos pasos de ajuste inicial básicos que se aplican a todos los ensambles de espiga.

1. SELECCION DE TAMAÑO DE LA ESPIGA

Como se mencionó con anterioridad, los tres tamaños básicos de espigas son #0, #10 y #20. Como regla práctica, es mejor utilizar la espiga más grande que quepa físicamente en su aplicación. A menos que quiera ensamblar tiras angostas o marcos, o utilice madera de menos de 12,7 mm (1/2") de espesor, se encontrará que las espigas #20 sirven para la mayoría de las aplicaciones. Después de seleccionar el tamaño de la espiga, coloque la perilla de ajuste de profundidad en la indicación correspondiente al tamaño de la espiga (vea en la sección de "Controles"). También, asegúrese que el ajuste fino de profundidad está correctamente ajustado probando primero en una pieza de madera de desperdicio. Esto es de extrema importancia si no quiere descubrir durante el pegado que las cajas para sus espigas no son suficientemente profundas.

FIG 12

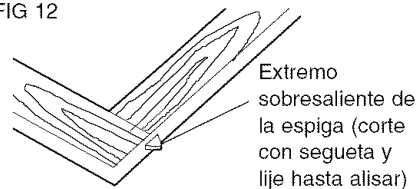
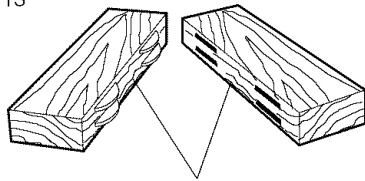


FIG 13

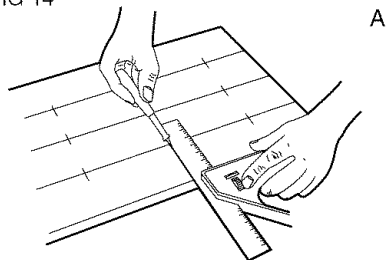


Madera de 25,4 mm (1") de espesor o mayor

2. LOCALIZACION Y TRAZO DE LA ESPIGA

Generalmente, las espigas se pueden espaciar y localizar a discreción. Para ensambles a media madera, una buena regla práctica es espaciar las cajas entre 10 y 15 cm de centro a centro. Se recomienda también que las espigas se coloquen de tal manera que las espigas finales queden aproximadamente entre 5 y 7,5 cm del final de la pieza de trabajo. Cuando ensamble marcos en que las piezas de madera sean muy angostas, usted deberá seleccionar los tamaños de espigas más pequeños para evitar traspasar el extremo del ensamble. Debe evitarse traspasar las piezas, siempre que sea posible, pero si no es así, usted puede recortar el sobrante de la espiga después de que el pegamento seque (observe la figura 12). Cuando trabaje con materiales hasta de 25 mm (1") de espesor, le aconsejamos que utilice una espiga localizada en la parte central del material. Si se trabajará con material con espesor mayor, usted puede escoger colocar dos espigas en la pieza para aumentar la resistencia (figura 13). La localización de las espigas debe marcarse colocando primero las piezas a unir exactamente como serán ensambladas.

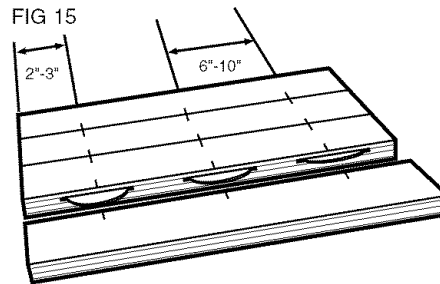
FIG 14



continuación, haga una marca a 90° de la unión de ambas piezas en los lugares en

que colocará las espigas (figura 15). Vea la sección de "Aplicaciones" para obtener información más específica sobre el trazado de los ensambles. Las marcas que usted haga quedarán alineadas con una de las marcas de registro de la herramienta, de nuevo, dependiendo de su aplicación específica.

FIG 15



3. CORTE

Antes de hacer cualquier corte, asegúrese que todos los ajustes de la guía se hayan colocado correctamente y que las perillas estén apretadas. También, asegúrese de haber seleccionado la profundidad adecuada. Sujete su pieza de trabajo firmemente y haga coincidir la marca de registro de centro de la ensambladora con la marca que usted trazó en la pieza. Encienda la herramienta y permita que la cuchilla alcance su velocidad máxima (aproximadamente 1 segundo). Tome el interruptor de paleta y el mango lateral y coloque la guía con firmeza y a escuadra contra la pieza de trabajo, haga que la cuchilla penetre hasta que haga contacto con el tope. Continúe sujetando la herramienta con firmeza y a escuadra, permita que el resorte retraiga la cuchilla de la pieza de trabajo y libere el interruptor para apagar la herramienta. Le tomará algún tiempo desarrollar la sensibilidad necesaria para que la herramienta realice ensambles precisos, así que mejor practique un poco en material de desperdicio primero.

4. ENSAMBLADO

Después de cortar sus piezas, usted puede probar el ajuste antes de pegarlas. Cuando esté satisfecho con los cortes que realizó, distribuya uniformemente cualquier pegamento para madera de buena calidad en cada caja, así como en las superficies que quedarán en contacto. Coloque las espigas en las cajas, arme la pieza y prensé hasta que seque. Para que

un ensamble de espiga sea más eficaz, es importante que las propias espigas estén en contacto con el pegamento. Esto se debe a que las espigas absorberán la humedad del pegamento y se expandirán para formar un ensamble ajustado.

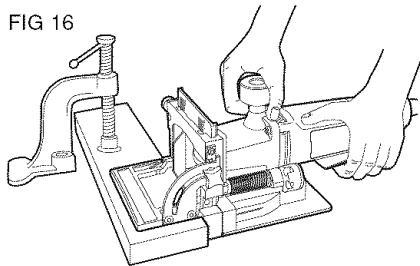
APLICACIONES

1. ENSAMBLES A MEDIA MADERA

Esta es la manera más sencilla y más común de hacer un ensamble con su herramienta. Siga los pasos descritos a continuación para producir este ensamble.

- Prepare las piezas de trabajo y colóquelas sobre una superficie exactamente como serán ensambladas.
- Separe las espigas a 5 ó 7,5 cm de los extremos y 15 a 25 cm entre los centros de éstas.
- Ajuste la ensambladora seleccionando primero la profundidad correcta. Coloque la guía a 90°. Coloque el ajuste de altura aproximadamente a la parte central del espesor de la pieza.
- Sujete la pieza de trabajo y coloque la herramienta de manera que la línea indicadora central coincida con la primera de las líneas que usted trazó (observe la figura 16). Encienda la herramienta y haga el corte. Retraiga la herramienta y libere el gatillo interruptor para apagarla. Repita para cada línea que usted haya marcado.

FIG 16



- Agregue el pegamento, ensamble y preñe la unión.
- Para tablas con espesor mayor a 25 mm (1") usted puede desear colocar dos espigas en cada zona. Arregle el ajuste de altura para dejar por lo menos 5 mm (3/16") entre la caja y la superficie de la tabla. Haga todos los cortes con este ajuste de guía antes de reajustarla para los cortes inferiores. De nuevo, debe haber por lo menos 5

mm (3/16") entre la caja y la pared exterior y entre las cajas mismas (observe la figura 17).

FIG 17

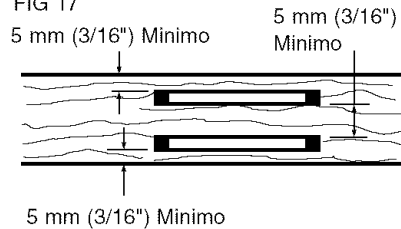
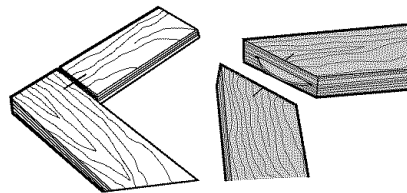


FIG 18

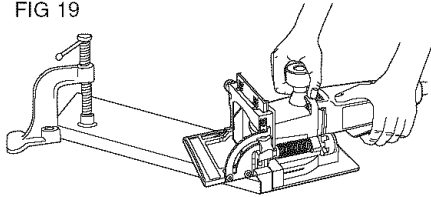


2. ENSAMBLES PARA MARCOS

Los marcos son una aplicación ideal para los ensambles de espiga y caja. Con la ensambladora usted puede crear una unión muy precisa y resistente que es mucho más rápida de hacer que un ensamble de pernos. La figura 18 muestra dos tipos de ensambles para marcos. Siga los pasos descritos a continuación.

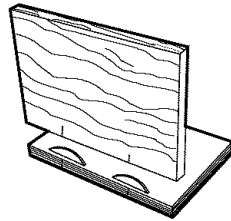
- Coloque las piezas de trabajo sobre una superficie plana exactamente en la manera en que serán ensambladas.
- Seleccione el tamaño adecuado de espiga basado en la longitud de la unión. (Si las piezas del marco son demasiado angostas para una espiga #0, usted deberá permitir que la espiga sobresalga ligeramente y recortarla después que el pegamento haya secado (figura 12).
- Marque la localización de las cajas.
- Ajuste la herramienta seleccionando la profundidad que corresponda al tamaño de la espiga que haya seleccionado. Asegure la guía a 90° y ajuste la altura de la guía para centrar la caja en el material.

FIG 19



- E. Asegure la pieza de trabajo y coloque la ensambladora para hacer el primer corte (observe la figura 19).
- F. Encienda la herramienta y haga el corte.
- G. Repita para cada caja.
- H. Añada el pegamento, ensamble y preñse el marco.

FIG 20

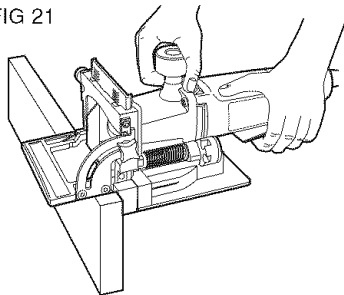


3. ENSAMBLES DE ARISTA (OBSERVE LA FIGURA 20)

Los ensambles de arista son otra aplicación perfecta para nuestra herramienta. Siga los pasos descritos a continuación.

- A. Coloque las piezas de trabajo exactamente en la manera en que serán ensambladas.
- B. Seleccione el tamaño adecuado de espiga y Marque la localización de las cajas.
- C. Ajuste la herramienta seleccionando la profundidad que corresponda al tamaño de la espiga que haya seleccionada. Asegure la guía a 90°.

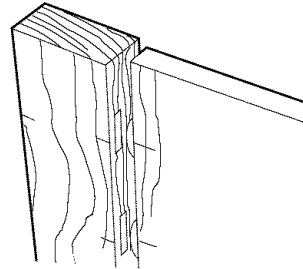
FIG 21



- D. Para este ensamble, usted hará cortes en el borde de una de las piezas y en la cara de la otra. El corte en el borde se hace igual que para los ensambles de borde contra borde. Los cortes en la cara se hacen sujetando la madera y alineando la herramienta como se muestra en la figura 21. Encienda la herramienta, haga el corte y repita para cada caja.

- E. Añada el pegamento, ensamble y preñse el ensamble.

FIG 22

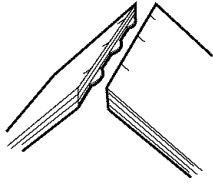


4. ENSAMBLES EN RELIEVE (OBSERVE LA FIGURA 22)

Usted puede decidir dejar un relieve deliberadamente entre dos piezas. Esto se puede lograr con facilidad con su ensambladora realizando los siguientes pasos.

- A. Coloque las piezas en la forma en que las va a ensamblar y trace la localización de las cajas.
- B. Ajuste la herramienta seleccionando el tamaño de espiga adecuado y ajustando la guía a 90°. Tome la pieza que será colocada como respaldo y ajuste la altura de la guía para centrar el corte dentro del espesor de esa pieza.
- C. Sujete la pieza de trabajo, centre la herramienta y haga el corte.
- D. A continuación, ajuste la guía hacia arriba en la medida que desee hacer el relieve. Utilice la escala y el indicador que se encuentran al lado derecho de la herramienta debajo de la perilla de seguridad de la guía.
- E. Sujete la segunda pieza, centre la herramienta y haga el corte.
- F. Añada el pegamento, ensamble y preñse la unión.

FIG 23

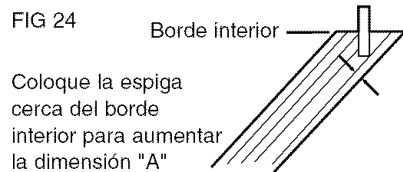


5. ENSAMBLES ANGULARES (FIGURA 23)

Los ensambles angulares se utilizan principalmente en estructuras de cajas o para hacer pedestales de lados múltiples en los que quiera esconder la veta de la cara de la madera. De nuevo, los ensambles de espiga son un método sobresaliente para ser utilizado con el fin de facilitar el armado y dar resistencia. Siga los pasos descritos a continuación para hacer un ensamble a 90°.

- A. Coloque las piezas en la manera en que las ensamblará y trace la localización de las cajas en la parte exterior del ensamble.

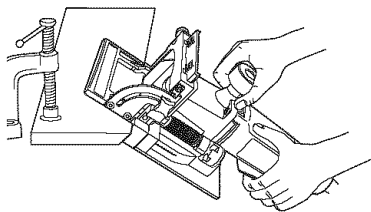
FIG 24



Coloque la espiga cerca del borde interior para aumentar la dimensión "A"

- B. Ajuste la guía de la herramienta a 90°. Haga el ajuste a la guía de manera que la espiga quede localizada hacia el interior del ensamble en donde el material tiene mayor espesor, a continuación, seleccione el tamaño de la espiga de manera que la cuchilla no traspase la pared cuando haga el corte (observe la figura 24).

FIG 25



Bisel invertido a 45°: Permite el registro exterior en ensambles angulares (NOTA: La herramienta se registra contra la superficie exterior.)

- C. Sujete la herramienta y céntrala como se muestra en la figura 25.
- D. Encienda la herramienta y haga el corte.
- E. Añada el pegamento, ensamble y preñe la unión.

FIG 26

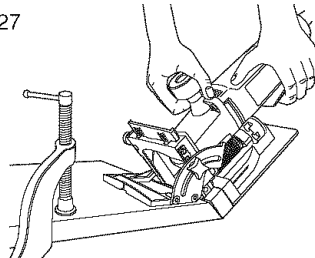
# DE LADOS	ÁNGULO CONJUNTO	CERQUE LA COLOCACIÓN DEL ÁNGULO	
		MATRÍCULA EXTERIOR	MATRÍCULA INTERIOR
4	90°	90°	45°
5	108°	81°	54°
6	120°	75°	60°
8	135°	67.5°	67.5°

- F. Para ensambles con ángulos diferentes a 90°, consulte la figura 26 para ajustar debidamente el ángulo de la herramienta.

El método anterior producirá un ensamble en que las superficies exteriores estén alineadas. Si desea hacer un ensamble con las superficies interiores alineadas, utilice el siguiente procedimiento para ensambles a 90°.

- A. Coloque las piezas en la manera en que las ensamblará
- B. Trace la localización de las cajas en la parte interior del ángulo.
- C. Ajuste la guía de la herramienta a 45°. Haga el ajuste a la guía de manera que la espiga quede localizada hacia el interior del ensamble en donde el material tiene mayor espesor, a continuación, seleccione el tamaño de la espiga de manera que la cuchilla no traspase la pared cuando haga el corte.

FIG 27



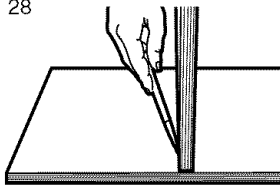
- D. Sujete la herramienta y céntrala como se muestra en la figura 27.

- E. Encienda la herramienta y haga el corte; repita en los lugares donde se harán cajas.
- F. Añada el pegamento, ensamble y preme la unión.
- G. Para ensambles con ángulos diferentes a 90°, consulte la figura 26 para ajustar debidamente el ángulo de la herramienta.

6. ENSAMBLES EN 'T'

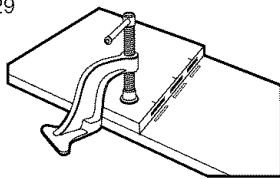
Los ensambles de caja y espiga son una alternativa viable para ranurar cuando se quiera hacer un ensamble en 'T'. Los ensambles en 'T' se utilizan comunmente para añadir una repisa a los lados de un cajón. El método descrito a continuación funcionará si el material para su repisa tiene por lo menos 16 mm (5/8") de espesor.

FIG 28



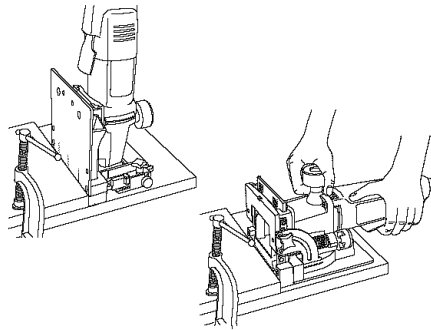
- A. Coloque la piezas sobre una superficie exactamente en la manera en que las ensamblará en forma de una 'T' invertida. Marque ligeramente a lo largo de la unión en el lugar en que termina la repisa (observe la figura 28). Marque la localización de las cajas únicamente en la pieza que quedará como repisa.
- B. Coloque la repisa sobre la pieza con que se unirá. preme las dos piezas juntas a la superficie de trabajo en la posición que se muestra en la figura 29.

FIG 29



- C. Ajuste la herramienta seleccionando el tamaño de caja adecuado y ajustando el ángulo de la guía a 0°.

FIG 30



- D. Utilice la superficie de registro inferior, centre la herramienta a las marcas de localización de las cajas y haga un corte vertical y horizontal para cada caja, como se observa en la figura 30.
- E. Añada el pegamento, ensamble y preme la unión.

IMPORTANTE

Para garantizar la **SEGURIDAD** y la **CONFIABILIDAD**, deberán hacerse reparaciones, mantenimiento y ajustes de esta herramienta en los centros de servicio Sears.

ACCESORIOS

Dispone usted de los accesorios para su herramienta por un cargo adicional en las tiendas Sears o en los centros de servicio Sears.

Get it fixed, at your home or ours!

Your Home

For repair – **in your home** – of **all** major brand appliances, lawn and garden equipment, or heating and cooling systems, **no matter who made it, no matter who sold it!**

For the replacement parts, accessories and owner's manuals that you need to do-it-yourself.

For Sears professional installation of home appliances and items like garage door openers and water heaters.

1-800-4-MY-HOME[®] Anytime, day or night
(1-800-469-4663) (U.S.A. and Canada)
www.sears.com www.sears.ca

Our Home

For repair of carry-in products like vacuums, lawn equipment, and electronics, call or go on-line for the nearest **Sears Parts and Repair Center.**

1-800-488-1222 Anytime, day or night (U.S.A. only)
www.sears.com

To purchase a protection agreement (U.S.A.) or maintenance agreement (Canada) on a product serviced by Sears:

1-800-827-6655 (U.S.A.) **1-800-361-6665** (Canada)

Para pedir servicio de reparación a domicilio, y para ordenar piezas:

1-888-SU-HOGAR[®]
(1-888-784-6427)

Au Canada pour service en français:

1-800-LE-FOYER^{MC}
(1-800-533-6937)
www.sears.ca



© Sears Brands, LLC

[®] Registered Trademark / TM Trademark / SM Service Mark of Sears Brands, LLC

[®] Marca Registrada / TM Marca de Fábrica / SM Marca de Servicio de Sears Brands, LLC

^{MC} Marque de commerce / ^{MD} Marque déposée de Sears Brands, LLC