



Owner's Manual

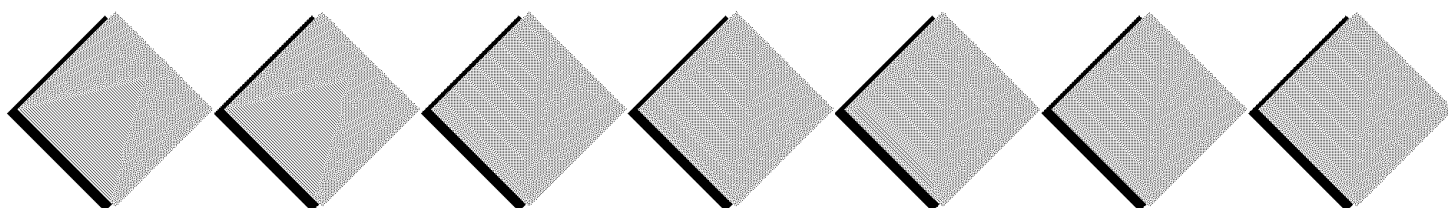
Covering model ACO1520A

Electric Microwave

Keep instructions for future reference.
Be sure manual stays with microwave.

Contents

| | |
|-------------------------------------|----|
| Important Safety Instructions | 3 |
| Installation | 6 |
| Features | 22 |
| Operation | 25 |
| Cooking | 36 |
| Maintenance | 41 |
| Recommended Utensil | 43 |
| Troubleshooting | 44 |
| Amana Warranty | 46 |



Thank you for buying an Amana Microwave!

Please take the time to complete the registration card and return promptly. If the registration card is missing, call Amana Consumer Affairs Department. When contacting Amana, provide product information from serial plate:

Model Number _____
Manufacturing (P) Number _____
Serial Number (S/N) _____
Purchase Date _____
Dealer Name _____
Dealer Address _____
Dealer Phone _____

Keep this manual and your sales receipt together in a safe place for future reference or if warranty service is required.

For answers to questions or to locate an authorized servicer, call **1-800-NAT-LSVC(1-800-628-5782) inside USA or 319-622-5511 outside USA. Warranty service must be performed by an authorized servicer.** Amana Appliances also recommends contacting an authorized servicer if service is required after warranty expires.

Questions on cooking, cleaning or usage?

Refer to

Product Assistance at www.amana.com

or

call Consumer Affairs at **1-800-843-0304**

Asure™ Extended Service Plan

Amana Appliances offers long-term service protection for this new microwave. Asure™ Extended Service Plan, covering functional parts, labor, and travel charges, is specially designed to supplement a strong warranty. Call 1-800-528-2682 for information.

Parts and Accessories

Purchase replacement part and additional accessories by phone. To order accessories for your Amana product, call 1-800-843-0304 inside USA or 319-622-5511 outside USA.

Save Time and Money

If something seems unusual, please check "Troubleshooting" section, which is designed to help you solve problems before calling service. If you have a question, call us at (800) 843-0304 or write us at:

Consumer Affairs Department
Amana Appliances
2800-220th Trail
Amana, Iowa 52204

Remember to include model number of your appliance and your phone number.

What You Need to Know About Safety Instructions

Warning and Important Safety Instructions appearing in this manual are not meant to cover all possible conditions and situations that may occur. Common sense, caution, and care must be exercised when installing, maintaining, or operating microwave.

Always contact your dealer, distributor, service agent, or manufacturer about problems or conditions you do not understand.

Recognize Safety Symbols, Words, Labels

 **DANGER**

DANGER - Immediate hazards which WILL result in severe personal injury or death.

 **WARNING**

WARNING - Hazards or unsafe practices which COULD result in severe personal injury or death.

 **CAUTION**

CAUTION - Hazards or unsafe practices which COULD result in minor personal injury or product or property damage.

IMPORTANT SAFETY INSTRUCTIONS

 Recognize this symbol as a SAFETY message

WARNING

When using electrical appliances, basic safety precautions should be followed to reduce the risk of burns, electric shock, fire, or injury to persons or exposure to excessive microwave energy.

1. READ all instructions before using oven.
2. READ AND FOLLOW the specific "PRECAUTIONS TO AVOID POSSIBLE EXPOSURE TO EXCESSIVE MICROWAVE ENERGY" on this page.
3. This oven MUST BE GROUNDED. Connect only to properly GROUNDED outlet. See "EARTHING INSTRUCTIONS" on page 6.
4. Install or locate this oven ONLY in accordance with the installation instructions in this manual.
5. Some products such as whole eggs and sealed containers—for example, closed glass jars—are able to explode and SHOULD NOT be HEATED in this oven.
6. Use this oven ONLY for its intended use as described in this manual. Do not use corrosive chemicals or vapors in this oven. This type of oven is specifically designed to heat, cook, or dry food. It is not designed for industrial or laboratory use.
7. As with any appliance, CLOSE SUPERVISION is necessary when used by CHILDREN or INFIRM PERSONS.
8. See door cleaning instructions in Care and Cleaning section of manual on page 42.
9. Baby food jars shall be open when heated and contents stirred or shaken before consumption, in order to avoid burns.
10. Do not use this oven for commercial purposes. It is made for household use only.
11. DO NOT heat baby bottles in oven.
12. DO NOT operate this oven if it has a damaged cord or plug, if it is not working properly, or if it has been damaged or dropped.
13. This oven, including power cord, must be serviced ONLY by qualified service personnel. Special tools are required to service oven. Contact nearest authorized service facility for examination, repair, or adjustment.
14. DO NOT cover or block filter or other openings on oven.
15. DO NOT store this oven outdoors. DO NOT use this product near water – for example, near a kitchen sink, in a wet basement, near a swimming pool or similar locations.
16. DO NOT immerse cord or plug in water.
17. Keep cord AWAY from HEATED surfaces.
18. DO NOT let cord hang over edge of table or counter.
19. Clean the ventilating hood frequently.
20. Do not allow grease to accumulate on the hood or filters.
21. Use care when cleaning the ventilating hood filters. Corrosive cleaning agents such as lye-based oven cleaners may damage the filters.
22. When flaming foods under the hood, turn the fan on.
23. Suitable for use above both gas and electric cooking equipment 36 inches or less wide.

PRECAUTIONS TO AVOID POSSIBLE EXPOSURE TO EXCESSIVE MICROWAVE ENERGY

- A. DO NOT attempt to operate this oven with door open since open door operation can result in harmful exposure to microwave energy. It is important not to defeat or tamper with safety interlocks.
- B. DO NOT place any object between oven front face and door to allow soil or cleaner residue to accumulate on sealing surfaces.
- C. DO NOT operate oven if it is damaged. It is particularly important that oven door close properly and that there is no damage to:
 1. door (bent)
 2. hinges and latches (broken or loosened)
 3. door seals and sealing surfaces.
- D. Oven should not be adjusted or repaired by anyone except properly qualified service personnel.

SAVE THESE INSTRUCTIONS

IMPORTANT SAFETY INSTRUCTIONS

WARNING

To avoid risk of fire in the oven cavity:

- a. DO NOT overcook food. Carefully attend oven when paper, plastic, or other combustible materials are placed inside the oven to facilitate cooking.
- b. Remove wire twist-ties from paper or plastic bags before placing bag in oven.
- c. If materials inside the oven ignite, keep oven door CLOSED, turn oven off and disconnect the power cord, or shut off power at the fuse or circuit breaker panel.
- d. DO NOT use the cavity for storage. DO NOT leave paper products, cooking utensils, or food in the cavity when not in use.

WARNING

To avoid risk of fire in the oven cavity:

- Liquids such as water, coffee, or tea are able to be overheated beyond the boiling point without appearing to be boiling due to surface tension of the liquid. Visible bubbling or boiling when the container is removed from the microwave oven is not always present. THIS COULD RESULT IN VERY HOT LIQUIDS SUDDENLY BOILING OVER WHEN A SPOON OR OTHER UTENSIL IS INSERTED INTO THE LIQUID. To reduce the risk of injury to persons:
- i) Do not overheat the liquid.
 - ii) Stir the liquid both before and halfway through heating it.
 - iii) Do not use straight-sided containers with narrow necks.
 - iv) After heating, allow the container to stand in the microwave oven for a short time before removing the container.
 - v) Use extreme care when inserting a spoon or other utensil into the container.

CAUTION

To avoid personal injury or property damage, observe the following:

1. Do not deep fat fry in oven. Fat could overheat and be hazardous to handle.
2. Do not cook or reheat eggs in shell or with an unbroken yolk using microwave energy. Pressure may build up and erupt. Pierce yolk with fork or knife before cooking.
3. Pierce skin of potatoes, tomatoes, and similar foods before cooking with microwave energy. When skin is pierced, steam escapes evenly.
4. Do not operate oven without load or food in oven cavity.
5. Use only popcorn in packages designed and labeled for microwave use. Popping time varies depending on oven wattage. Do not continue to heat after popping has stopped. Popcorn will scorch or burn. Do not leave oven unattended.
6. Do not use regular cooking thermometers in oven. Most cooking thermometers contain mercury and may cause an electrical arc, malfunction, or damage to oven.
7. Do not use metal utensils in oven.
8. Never use paper, plastic, or other combustible materials that are not intended for cooking.
9. When cooking with paper, plastic, or other combustible materials, follow manufacturer's recommendations on product use.
10. Do not use paper towels which contain nylon or other synthetic fibers. Heated synthetics could melt and cause paper to ignite.
11. Do not heat sealed containers or plastic bags in oven. Food or liquid could expand quickly and cause container or bag to break. Pierce or open container or bag before cooking.
12. To avoid pacemaker malfunction, consult physician or pacemaker manufacture about effects of microwave energy on pacemaker.

SAVE THESE INSTRUCTIONS

IMPORTANT SAFETY INFORMATION

FEDERAL COMMUNICATIONS COMMISSION RADIO FREQUENCY INTERFERENCE STATEMENT (U.S.A. ONLY)

This equipment generates and uses ISM frequency energy and if not installed and used properly, that is in strict accordance with the manufacturer's instructions, may cause interference to radio and television reception. It has been type tested and found to comply with limits for ISM Equipment pursuant to part 18 of FCC Rules, which are designed to provide reasonable protection against such interference in a residential installation.

However, there is no guarantee that interference will not occur in a particular installation. If this equipment does cause interference to radio or television reception, which can be determined by turning the equipment off and on, the user is encouraged to try to correct the interference by one or more of the following:

- Reorient the receiving antenna of the radio or television.
- Relocate the Microwave Oven with respect to the receiver.
- Move the microwave oven away from the receiver.
- Plug the microwave oven into a different outlet so that the microwave oven and the receiver are on different branch circuits.

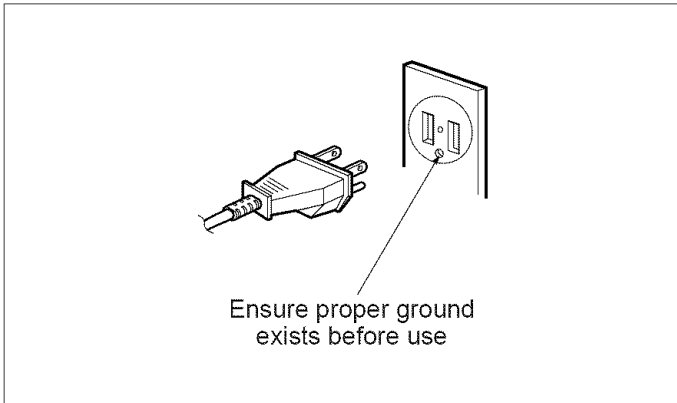
The manufacturer is not responsible for any radio or TV interference caused by **unauthorized modification** to this microwave oven. It is the responsibility of the user to correct such interference.

SAVE THESE INSTRUCTIONS

INSTALLATION

A. GROUNDING INSTRUCTIONS

This appliance must be grounded. In the event of an electrical short circuit, grounding reduces the risk of electric shock by providing an escape wire for the electric current. This appliance is equipped with a cord having a grounding wire with a grounding plug. The plug must be plugged into an outlet that is properly installed and grounded.



⚠ WARNING

To avoid risk of electrical shock or death, this oven must be earthed.

⚠ WARNING

To avoid risk of electrical shock or death, do not alter the plug.

B. UNPACKING OVEN

- Inspect oven for damage such as dents in door or inside oven cavity.
- Report any dents or breakage to source of purchase immediately.
Do not attempt to use oven if damaged.
- Remove all materials from oven interior.
- If oven has been stored in extremely cold area, wait a few hours before connecting power.

C. RADIO INTERFERENCE

1. Microwave oven operation may interfere with TV or radio reception.
2. When there is interference, it may be reduced or eliminated by taking the following measures:
 - a. Clean the door and the sealing surfaces of the oven.
 - b. Reorient the receiving antenna of radio or television.
 - c. Relocate the microwave oven in relation to the TV or radio.
 - d. Move the microwave oven away from the receiver.
 - e. Plug the microwave oven into a different outlet so that microwave oven and receiver are on different branch circuits.

INSTALLATION

YOUR SAFETY FIRST

Read this entire manual before you begin.

BEFORE YOU START

- **Proper installation is the installer's responsibility!**

- Write the model & serial numbers on the owner's manual. The model number label is located on the oven front. The mounting plate is located on the back side of the microwave oven. See Figure 1.

BE SURE TO READ THE FOLLOWING SAFETY INSTRUCTIONS:

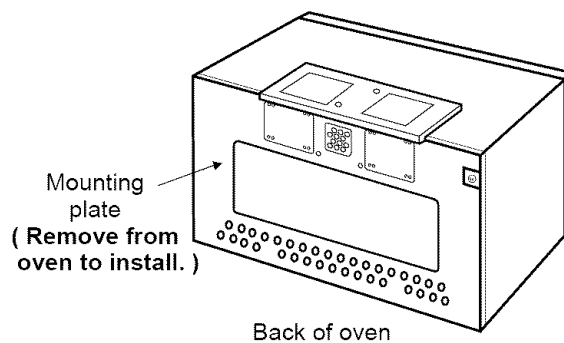


Figure 1

⚠ WARNING

To avoid risk of personal injury, electrical shock or death:

- Note where electrical outlets and electrical wires are before you drill into the wall.
- Locate and disconnect power to any electrical circuits that could be affected by installing this oven.
- Microwave must have a dedicated 120V, 60 Hz, AC, 15 or 20A fused electrical supply located in the cabinet above the microwave, as close as possible to the microwave.

⚠ CAUTION

To avoid risk of personal injury or property damage, you will need two people to install this microwave oven.

INSTALLATION

YOUR SAFETY FIRST

⚠ CAUTION

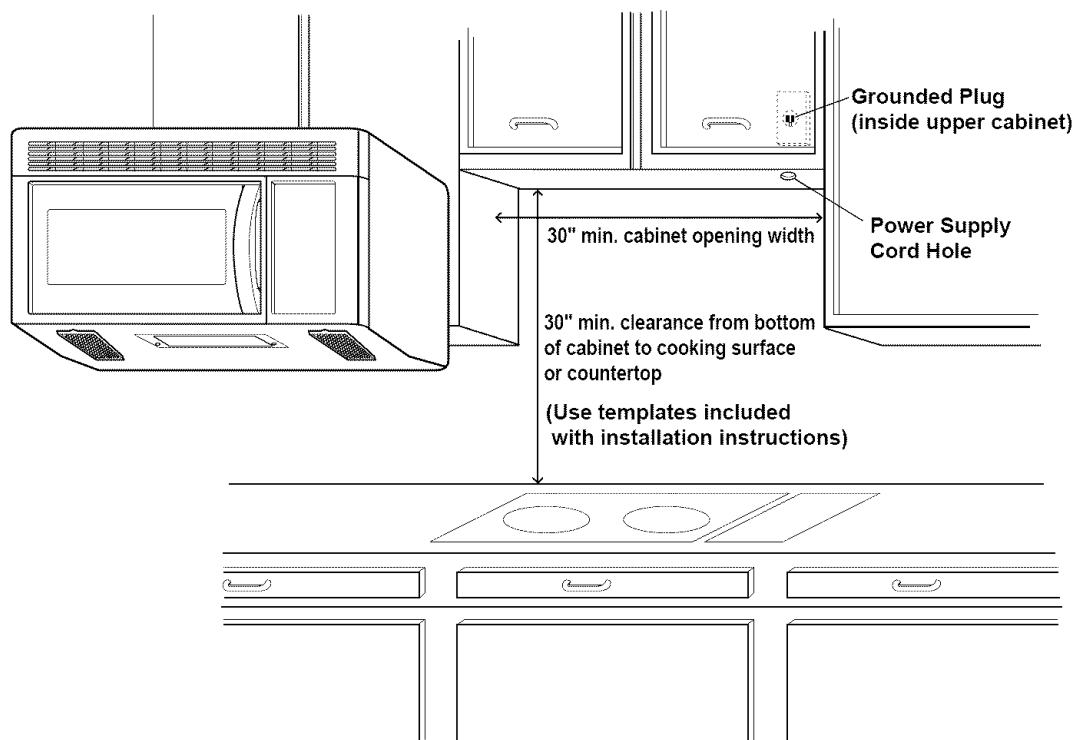
To avoid risk of personal injury, install microwave oven only as instructed.

⚠ CAUTION

To avoid risk of personal injury, place a piece of the carton or other heavy material, such as a blanket, over the countertop or cooktop to protect it. DO NOT use a plastic cover.

• MAKE SURE YOU HAVE ENOUGH SPACE AND SUPPORT.

- Mount the oven against a flat, vertical wall, so it is supported by the wall.
The wall should be constructed of minimum 2" x 4" wood studding and 3/8" thick drywall or plaster/lath.
- ATTACH AT LEAST ONE of the two lag screws supporting the oven to a vertical, 2" x 4" wall stud.
- DO NOT mount the microwave oven to an island or peninsula cabinet.
- BE SURE the upper cabinet and rear wall structures are able to support 150 lbs., plus the weight of any items you place inside the oven or upper cabinet.
- Locate the oven away from strong draft areas, such as windows, doors, and strong heating vents.
- BE SURE you have enough space. See Figure 3 below for minimum vertical and horizontal clearance.
- This microwave oven can be installed over gas or electric cooking products no more than 36 inches wide.
- IF cabinet depth EXCEEDS 13 1/2", microwave oven must be uninstalled to gain access to the two vent grille mounting screws on top of unit! Grille must be removed to replace the oven light bulb and charcoal filter. See Maintenance section for more information.



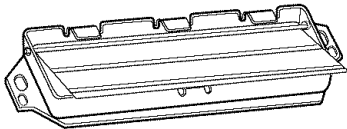
INSTALLATION

PARTS, TOOLS, MATERIALS

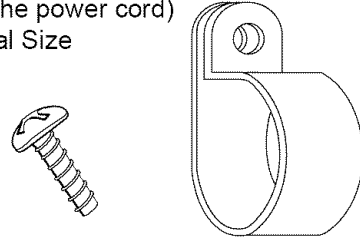
THE FOLLOWING PARTS ARE SUPPLIED WITH THE OVEN:

NOTE: Depending on your ventilation requirements, you may not use all of these parts.

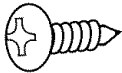
Backdraft damper / duct connector
(for roof-venting or wall-venting installation)
Not Actual Size (2 pieces must be
assembled as shown)



**One power cord clamp and
One dark-colored mounting screw**
(to hold the power cord)
Actual Size



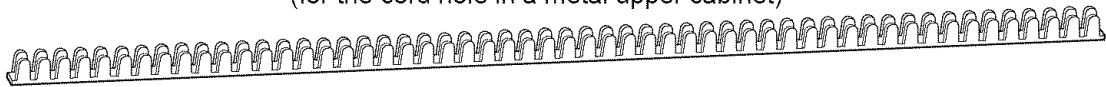
Two self - tapping screws - Actual Size
(for attaching the damper duct connector)



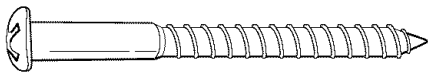
One lock pin and one washer-Not Actual size



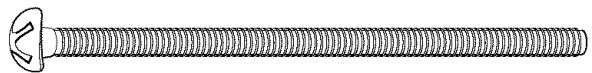
One power cord clamp bushing - Actual Size
(for the cord hole in a metal upper cabinet)



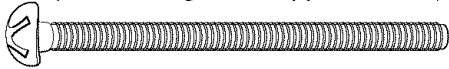
Four 1/4" x 2" lag screws - Actual Size
(for wall stud holes)



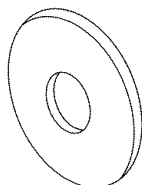
Four 1/4" x 3" toggle bolts - Actual Size
(for drywall holes)



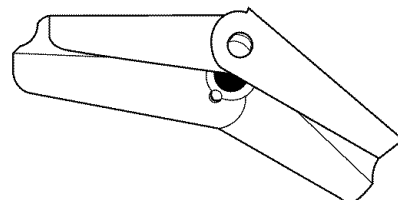
Two 1/4" x 2" or 3" bolts - Actual Size
(for securing to the upper cabinet)



Two washers - Actual Size
(for the two upper cabinet bolts)



Four spring toggle heads - Actual Size
(for the toggle bolts)



NOTE: You need to install at least 2 lag screws into one 2" x 4" stud and four anchor bolts into the wall.
The mounting area must meet the 150 lbs. weight requirement.

INSTALLATION

PARTS, TOOLS, MATERIALS

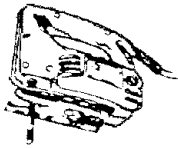
YOU WILL NEED THE FOLLOWING TOOLS AND MATERIALS FOR THE INSTALLATION:

Carton or other heavy material for covering the counter top.

Clear tape
(for taping the templates to the wall)

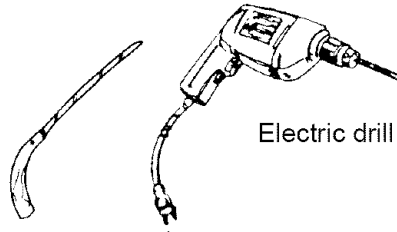


Stud finder or thin nail.



Saber saw (for cutting vent holes for roof or wall venting)

Keyhole saw (for the power cord hole)

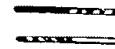


Electric drill

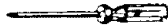
3/8" and 3/4" wood drill bits



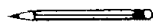
1/2" and 3/16" drill bits



Phillips screwdriver (for the screws)



Pencil



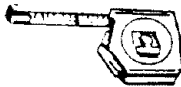
Flat blade screwdriver (for the toggle bolts)



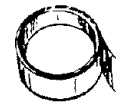
Plumb line



Measuring tape (metal preferred)



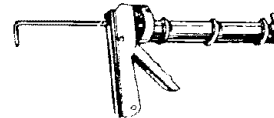
Duct Tape



Small side cutters or tin snips



Caulking gun



- If you have brick or masonry walls, you will need special hardware and tools.
- The ductwork you need for the installation is not included. All wall and roof caps must have a back-draft damper.

INSTALLATION

STEP 1: PREPARE THE ELECTRICAL CONNECTIONS

⚠ CAUTION

To avoid risk of personal injury, electrical shock or death, this oven must be grounded.

- **DO NOT, UNDER ANY CIRCUMSTANCES, REMOVE THE POWER SUPPLY CORD GROUNDING PRONG!**
This appliance **MUST** be grounded!

1. Locate the grounded electric outlet for this oven in the cabinet above the oven, as shown in Figure 4.

NOTE: The outlet should be on a circuit dedicated to the microwave oven (120V, 60Hz., AC only) with a 15 or 20A fused electrical supply.

IMPORTANT: If you do not have the proper wall outlet, you **MUST** have one installed by a qualified electrician.

2. You will cut the power-supply-cord hole (shown in Figure 4) later when you prepare the wall and upper cabinet in Step 4.

NOTE: Do not use an extension cord.

Keep the power cord dry and do not pinch or crush it.

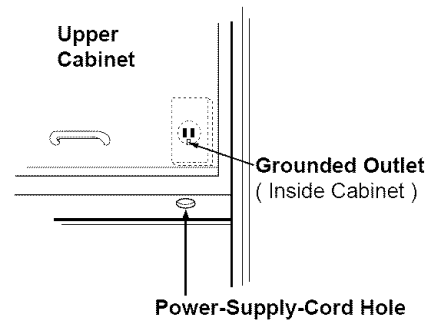


Figure 4

INSTALLATION

STEP 2: PREPARE THE VENTING SYSTEM

⚠ CAUTION

To avoid risk of personal injury, property damage, or fire this microwave oven must be properly vented.

NOTE: The ductwork you need for outside ventilation is not included with your oven. The standard ductwork fittings and length are shown in Figure 9.

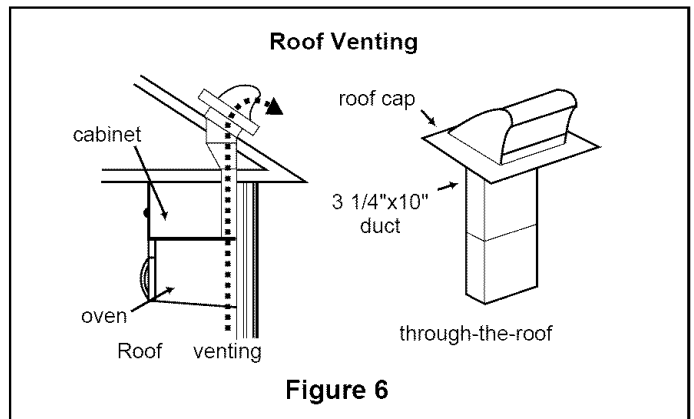
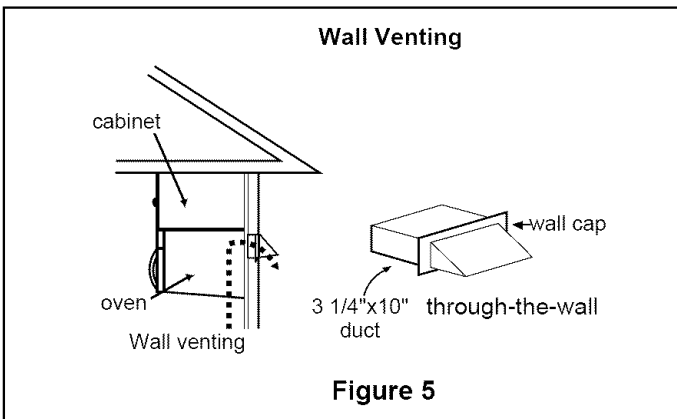
You may vent your oven in one of three ways. However, do NOT vent into a wall cavity, an attic, or an unused area.

Roof-venting If your oven is located on an outside wall near the roof, as in Figures 6 (3 1/4" x 10" duct) and Figure 8 (6" round duct.)

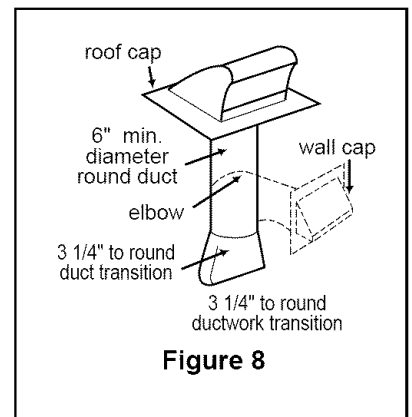
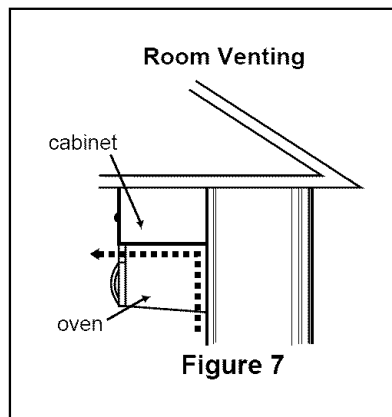
Wall-venting If your oven is located on an outside wall of your house, as in Figure 5 (3 1/4" x 10" duct) and Figure 8 (6" round duct.)

Room-venting If your oven is located on an inside wall of your house, as in Figure 7.

NOTE: If you choose the rear exhaust method (roof-or wall-venting), be sure there is enough clearance within the wall for the exhaust duct.



- DO NOT exhaust air into a wall, ceiling or a concealed space of a building.
- DO NOT install 2 elbow fittings next to each other. This creates unusual air patterns and can result in poor ventilation.
- ALWAYS vent outside. Do not vent into an attic or crawlspace.
- Seal all joints in venting system with duct tape to avoid smoke or odor in home.
- DO NOT use laundry wall caps.



INSTALLATION

STEP 2: PREPARE THE VENTING SYSTEM

STANDARD FITTINGS

NOTE: If the existing duct is round, you must use a rectangular-to-round adapter, with a rectangular 3" extension duct installed between the damper assembly and the adapter to prevent the exhaust damper's sticking.

DUCT LENGTH

The total length of the duct system, including straight duct, elbows, transitions, and wall or roof caps **must not exceed the equivalent of 140 feet.**

For best performance, do not use more than three 90 degree elbows, and keep length as short as possible.

Below are the standard fittings and their equivalent length in feet.

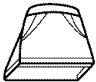

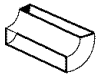




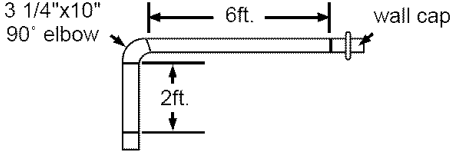
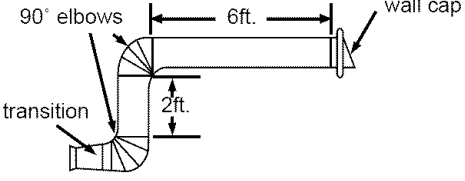
| | | | | | |
|---|--|---|---|---|--|
| 1 |  <p>3 1/4"x10" to 6"=5ft.</p> | 2 |  <p>3 1/4"x10" roof cap=24ft.</p> | 3 |  <p>3 1/4"x10" 90° elbow=25ft.</p> |
| 4 |  <p>90° elbow =10ft.</p> | 5 |  <p>3 1/4"x10" wall cap =40ft.</p> | 6 |  <p>45° elbow =5ft.</p> |
| | | | | 7 |  <p>3 1/4"x10" flat elbow =10ft.</p> |

Figure 9

To calculate the equivalent length of each ductpiece used, see the examples below.

| Examples | |
|--|---|
| <p>For 3 1/4"x10" SYSTEMS</p>  <p>3 1/4"x10" 90° elbow</p> <p>6ft.</p> <p>wall cap</p> <p>2ft.</p> | <p>For 6" ROUND SYSTEMS</p>  <p>90° elbows</p> <p>6ft.</p> <p>wall cap</p> <p>2ft.</p> <p>transition</p> |
| <p>1-3 1/4" x 10" 90° elbow = 25 ft.</p> <p>1-Wall Cap = 40 ft.</p> <p>8 feet straight duct = 8 ft.</p> <p>TOTAL LENGTH = 73 ft.</p> | <p>1-transition = 5 ft.</p> <p>2-90° elbows = 20 ft.</p> <p>1-Wall Cap = 40 ft.</p> <p>8 feet straight = 8 ft.</p> <p>TOTAL LENGTH = 73 ft.</p> |

INSTALLATION

STEP 3: PREPARE THE VENTING BLOWER

⚠ CAUTION

To avoid risk of property damage, unplug the microwave oven or disconnect power at source by removing fuse or throwing circuit breaker.

⚠ CAUTION

To avoid risk of personal injury, wear protective gloves when handling mounting plate.

Your microwave oven is shipped with the blower assembled for roof venting. You need to adjust the blower if you want wall-venting or room-vented (recirculating) installation.

- DO NOT PULL OR STRETCH THE BLOWER WIRING! Pulling and stretching the blower wiring could result in electrical shock.

Remove two screws that attach mounting plate to microwave oven cabinet. See Figure 10.

Remove mounting plate and set aside. Replace the screws.

ROOF-VENTED INSTALLATION:

1. Insert one side of exhaust adaptor and attach with the one tapping screw on the other side of exhaust adaptor to the blower plate. See Figure 11.
Go to STEP 4 on page 12.

WALL-VENTED INSTALLATION:

1. Remove one blower unit mounting screw and two blower plate screws. Remove the blower plate from cabinet. See Figure 12.
2. Carefully lift the blower unit out of the microwave oven.
3. Use side cutters or tin snips to cut and remove knockouts parts "B" from Back plate. Discard knockouts. Be careful not to distort the plate. See Figure 13.
4. Rotate the unit so that the exhaust ports face the rear of the cabinet. See Figure 14. When you insert blower unit, blower wire must be like figure 14.
5. Place blower unit back into cabinet. Check that the exhaust ports face towards the rear of the cabinet. See Figure 15.
6. Reattach the blower plate to cabinet so the exhaust ports and blower plate opening are aligned. Attach with one blower unit mounting screw and then two blower plate mounting screws. See Figure 16.

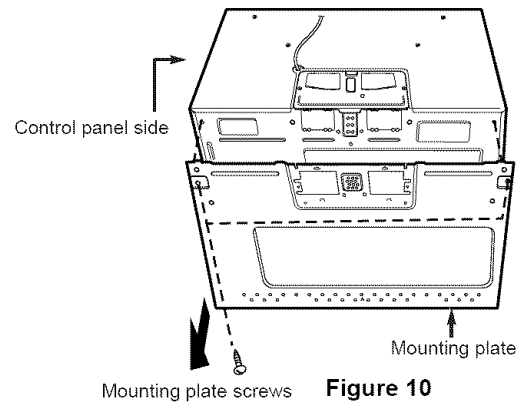


Figure 10

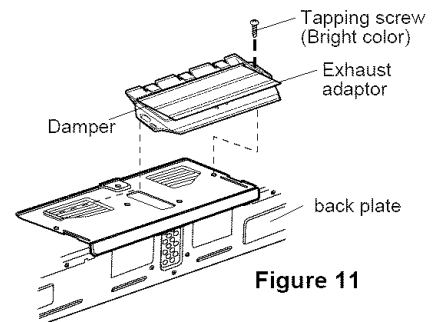


Figure 11

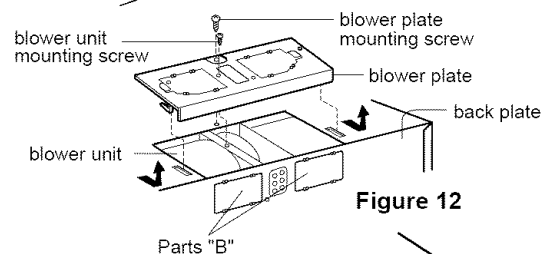


Figure 12

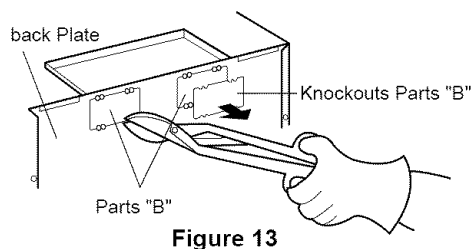


Figure 13

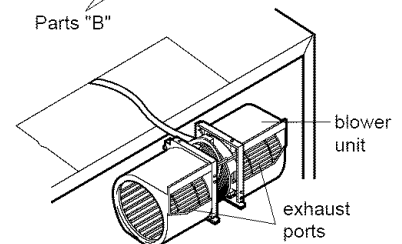


Figure 14

INSTALLATION

STEP 3: PREPARE THE VENTING BLOWER

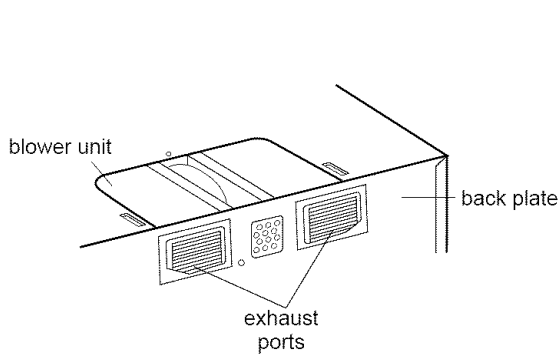


Figure 15

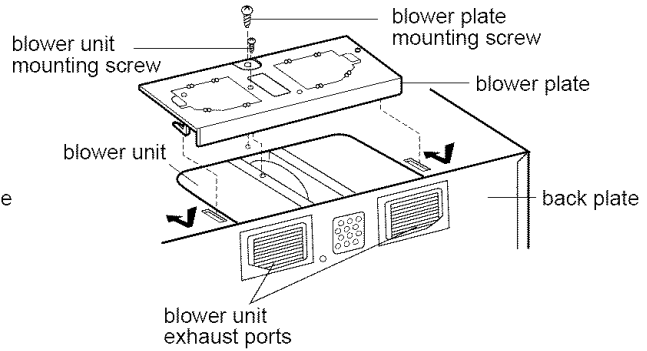


Figure 16

ROOM-VENTED (Recirculating) INSTALLATION:

1. Remove one blower unit mounting screw and two blower plate screws. Remove the blower plate from cabinet. See Figure 17.
2. Carefully lift the blower unit out of the microwave oven.
3. Rotate blower unit so that the exhaust ports face the front of the cabinet. See Figure 18.
4. Place blower unit back into microwave oven.
5. Reattach blower plate to microwave oven. Attach with the one blower unit mounting screw and then the two blower plate mounting screws. See Figure 19.

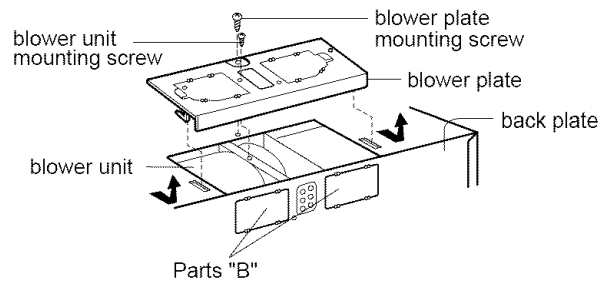


Figure 17

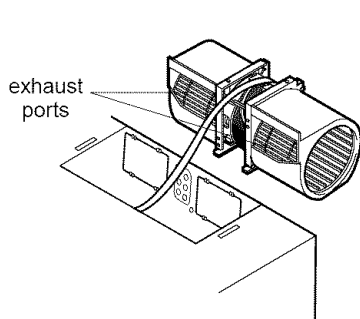


Figure 18

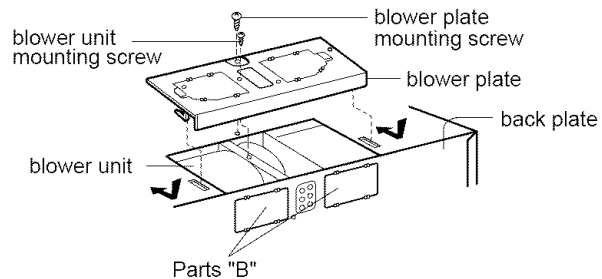


Figure 19

INSTALLATION

STEP 4: PREPARE THE WALL AND UPPER CABINET FOR INSTALLATION

⚠ CAUTION

To avoid personal injury or property damage, do not attempt to install this microwave oven if you cannot find a wall stud.

MEASURE AND TACK / TAPE UP THE TEMPLATES

1. Using a plumb line and (metal) measuring tape, find and mark the vertical center line on the back wall, as in Figure 22.
2. Find and mark one or two points where the studs are on the wall (Studs are normally 16 inches apart.) and then measure and mark the stud locations. If you cannot find any wall stud, consult a local building contractor.

3. Line up the plumb line on the wall with the center line on the mounting plate.

NOTE: Be sure the minimum width is 30 inches and the distance from the top of the mounting plate to the range or counter top is at least 30 inches. See Figure 4 on page 4.

4. Center mounting plate in operating by lining up the plumb line on wall with centerline on mounting plate. Make sure the minimum width is 30 inches and that the top of the mounting plate is located a minimum of 30 inches above the cooking surface.

See Figure 23.

NOTE: If the cabinets are not plumb, adjust the mounting plate to the cabinets. If the front edge of the cabinet is lower than the back edge, adjust the mounting plate to be level with the cabinet front.

5. Measure the bottom of the upper cabinet frame. Trim the edges "A" "B" and "C" on the upper cabinet template so that the template will fit on the bottom of the upper cabinet. If upper cabinet has a recessed frame, trim template so that it fits inside the recessed area. Align the centerline of the upper cabinet template with the centerline of the mounting plate; then securely tape or tack the upper cabinet template in place. See Figure 23

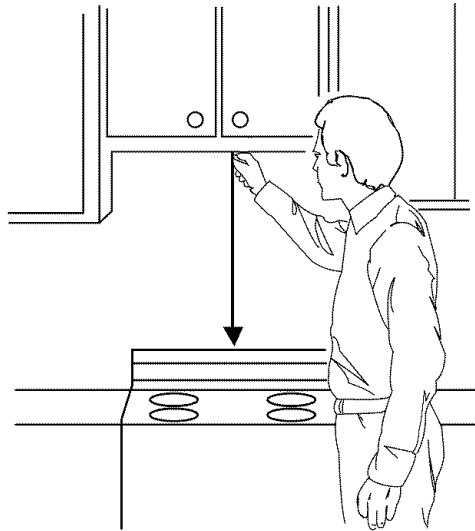


Figure 22

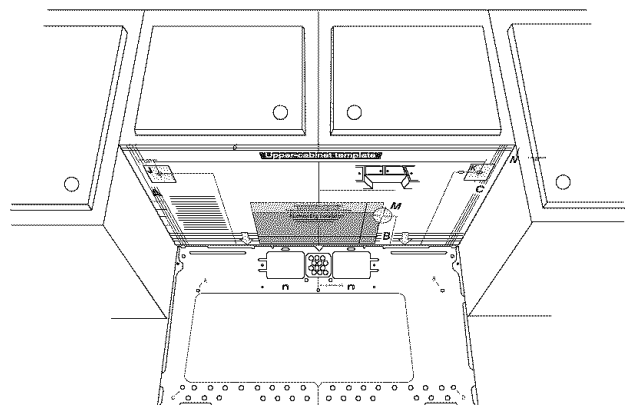


Figure 23

INSTALLATION

STEP 4: PREPARE THE WALL AND UPPER CABINET FOR INSTALLATION

WARNING

To avoid risk of personal injury, electrical shock or death:

- Note where electrical outlets and electrical wires are before you drill into the wall.
- Locate and disconnect power to any electrical circuits that could be affected by installing this oven.

WARNING

To avoid risk of personal injury, electrical shock or death, cover the edge of the power supply cord hole with the power supply cord bushing.

1. Find the points on the mounting plate labeled "A", "B", "C", and "D". Drill a 3/16" diameter hole at any points that are over a wall stud. Drill a 3/4" diameter hole at any points over drywall.
2. Drill a 3/8" hole at points "J", "K", and "N" on the upper cabinet template.
NOTE: If the bottom of the upper cabinet is recessed 3/4" or more, you will need 2"x2" filler blocks (not included) to provide additional support for the bolts. See Figure 24.
 - Mark the center of each filler block and drill a 3/8" diameter hole at the marks.
 - Align filler blocks over the two openings in the top of the microwave oven cabinet and attach to cabinet with masking tape. See Figure 25.
3. Cut or drill a 2" diameter hole at the area marked "M".
Power supply cord hole on the upper cabinet template. If the upper cabinet is metal, you will need to cover the edge of the hole with the power supply cord bushing (supplied) to prevent damage to the cord from the rough metal edge.
4. Cut out the venting areas (with the saber saw):
 - Roof-Vented: cut out the shaded area marked "L" on the upper cabinet template.
 - Wall-Vented: go to STEP 5, INSTALL THE MOUNTING PLATE, located on page 19.
5. Complete whichever venting system you have chosen. Use caulking compound to seal the exterior wall or roof opening around the wall cap or roof cap.

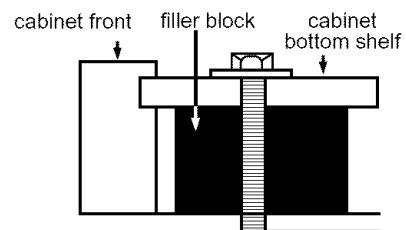


Figure 24

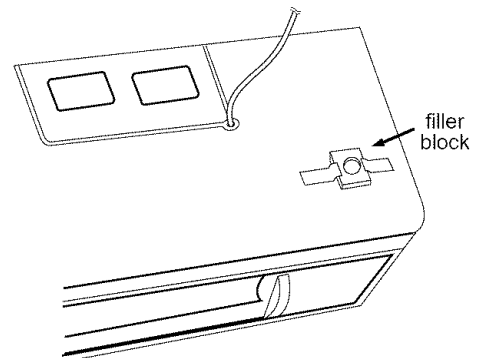


Figure 25

INSTALLATION

STEP 5: INSTALL THE MOUNTING PLATE

THE OVEN MUST BE CONNECTED TO AT LEAST ONE WALL STUD.

1. Draw a vertical line on the wall at the center of the 30" wide space.

Use the mounting plate as the template for the rear wall. Place the mounting plate on the wall, making sure that the tabs are against the bottom of the cabinet. Line up the notch and center line on the mounting plate to the center line on the wall.

2. While holding the mounting plate with one hand, draw circles on the wall at holes A, B, C and D. Four holes must be used for mounting. If the holes are not used, the installation will not be secure. Installer must use these holes for proper installation. Use toggle bolts through these holes unless one of them lines up with a stud. Use a wood screw for studs.

NOTE: Draw a fifth circle inside area E, through one of the bottom holes to match the location of a stud.

For wall-vented: The oven requires a rear wall cutout opening for the rear wall duct and the exhaust adaptor must be attached to the mounting plate. See the next page on how to prepare the rear wall cutout opening and the exhaust adaptor/mounting plate for wall-vented.

3. Drill holes on the circles. If there is a stud, drill a 3 / 16" hole for lag screws. If there is no stud, drill a 3 / 4" hole for toggle bolts. Make sure to use at least 1 lag screw in a stud, and 4 toggle bolts in the drywall or the plaster.

4. Attach the plate to the wall. To use spring toggle heads bolts: Remove the toggle wings from the bolts. Insert the bolts into the mounting plate and replace the spring toggle heads to 3 / 4" past the bolt ends. Insert the spring toggle heads into the holes in the wall to mount the bracket. You may pull forward on the bracket to help in tightening the toggle bolts. Tighten all bolts.

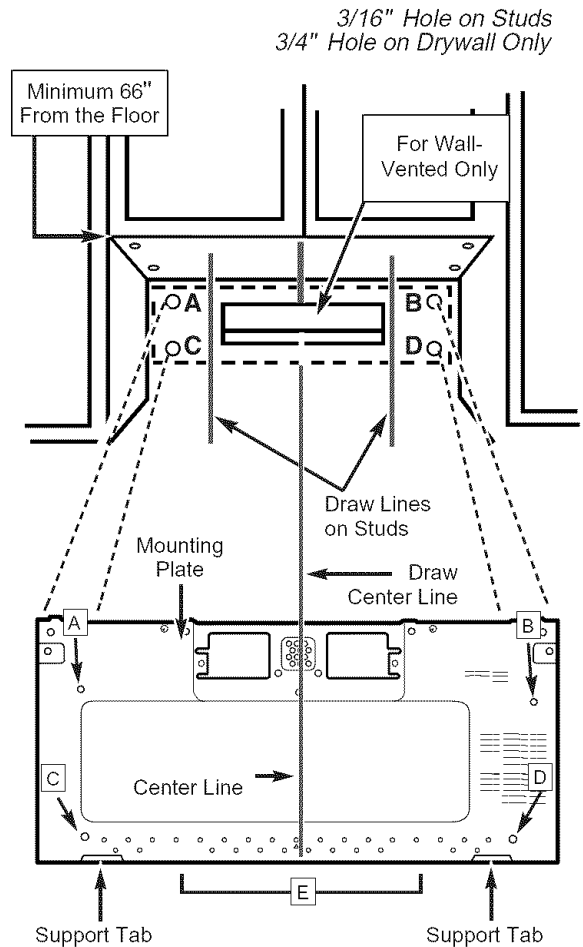


Figure 26

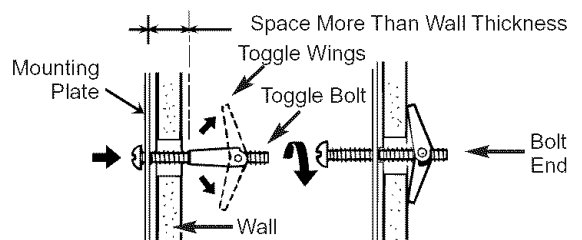


Figure 27

INSTALLATION

STEP 5: INSTALL THE MOUNTING PLATE

TO PREPARE THE REAR WALL CUTOUT OPENING AND EXHAUST ADAPTOR/MOUNTING PLATE FOR WALL- VENTED:

1. Place the mounting plate against the rear wall as described in step 5 item 1 (page 14).
 2. Using a pencil, put dots through slots F and G, and through holes H and I. Remove the mounting plate and draw lines extending through the points. This will give the location and size of the box cutout for the rear wall duct.
- Attach the exhaust adaptor to the rear mounting plate by sliding it into the guides at the top center of the plate on the wall side. Push in securely until it is past the top locking tabs and in the lower locking tabs. Take care to assure the damper hinge is installed so that it is at the top and that the damper swings freely.
 - Carefully guide the exhaust adaptor, now attached to the mounting plate, into the house duct, before using the screws to attach the plate to the wall. This will assure proper alignment for installation.
 - Return to step 5, item 3 (page 14) to continue. After completing the installation of the mounting plate, again check the rear damper for free movement to assure it will operate properly.

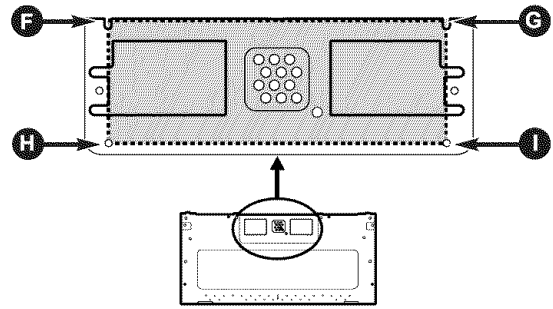


Figure 28

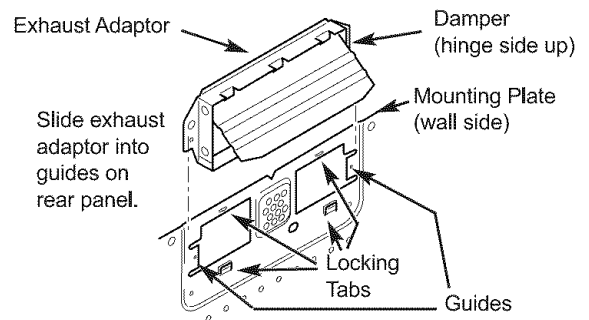


Figure 29

INSTALLATION

STEP 6: ATTACH THE OVEN TO THE WALL

⚠ CAUTION

To avoid risk of personal injury or property damage, you will need two people to install this microwave oven.

1. Carefully lift microwave oven and hang it on support tabs (See Figure 26) at the bottom of the mounting plate. Reaching through upper cabinet, thread power supply cord through the power supply cord hole in the bottom of the upper cabinet. See Figure 30.

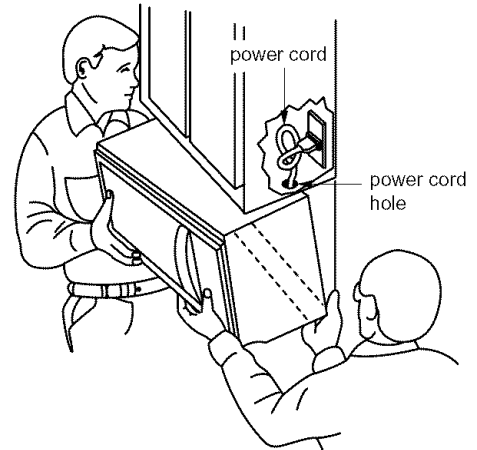


Figure 30

2. Rotate the microwave oven upward so the top of oven is against the bottom of the upper cabinet or cabinet frame.

3. Drop the lock pin and washer assembly into hole "N" (left side hole) and push the pin down as far as it will go. See Figure 31.

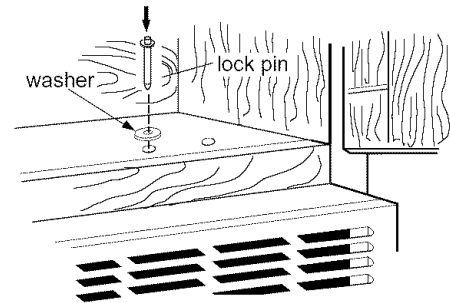


Figure 31

4. Place washers over two 1/4"x3" bolts. Then insert a bolt down through each hole in the upper cabinet bottom. Tighten the bolts until the gap between the upper cabinet and microwave oven is closed. See Figure 32.

5. Remove lock pin and washer. If wall-vented or room-vented installation is used, go to No. 8 on the next page.

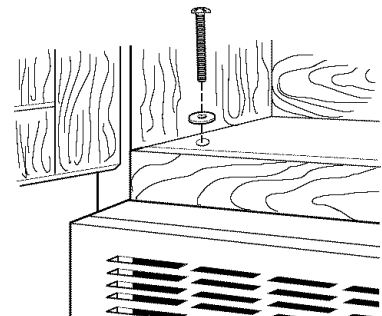


Figure 32

INSTALLATION

STEP 6: ATTACH THE OVEN TO THE WALL

6. Roof vented installation: See Figure 33
Install ductwork through the vent opening in the upper cabinet. Complete the venting system through the roof according to the method needed. See "PREPARE THE VENTING SYSTEM," STEP 2 on the page 8. Use caulking to seal exterior roof opening around the exhaust cap. See Figure 6 on page 8.

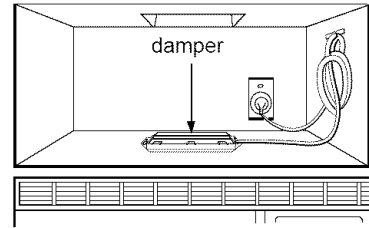


Figure 33

7. Use power supply cord clamp to bundle the power supply cord. Install the power supply cord clamp, using a screw as shown in Figure 34, to inside of the cabinet.

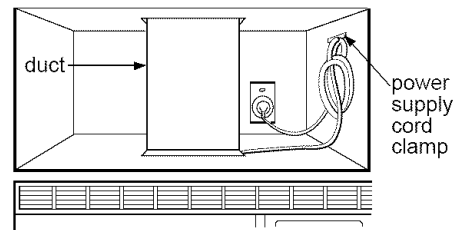


Figure 34

8. To install the grease filter: Slide it into the slide slot, then push up and toward oven center to lock. See Figure 35.

9. Plug in the power supply cord.

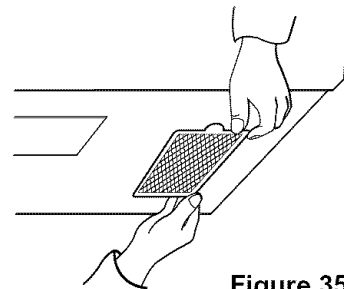
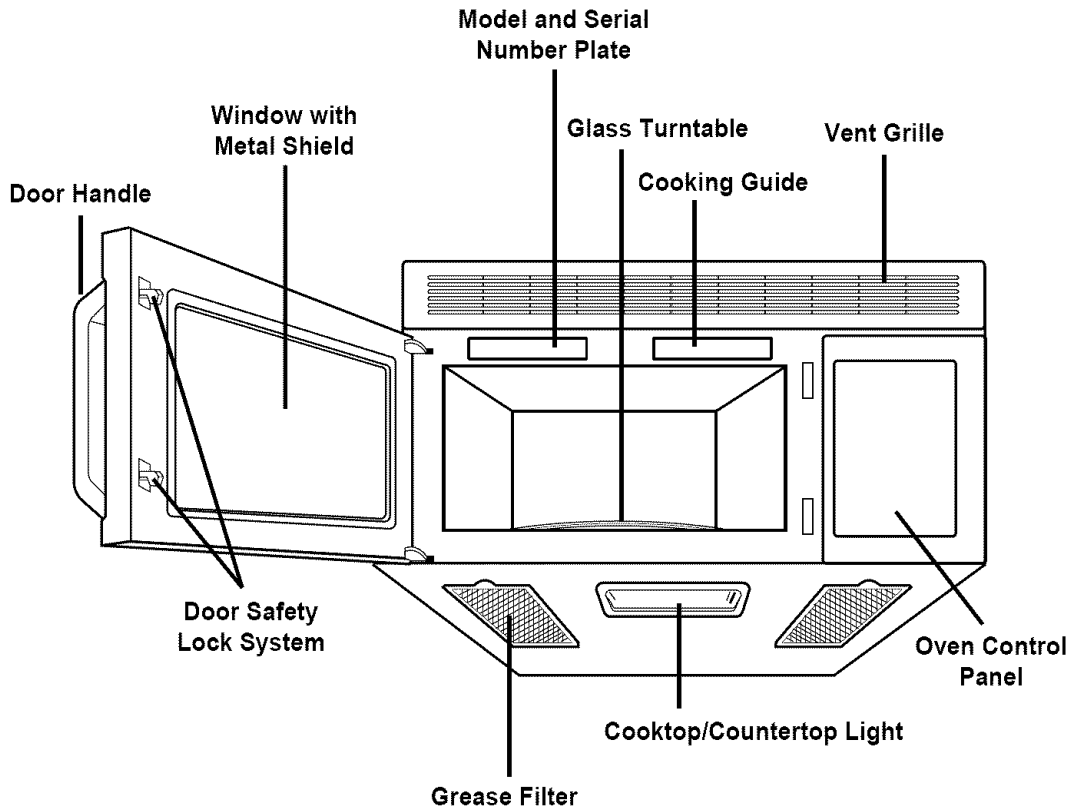


Figure 35

10. Read your Owner's Manual, then check the operation of your microwave oven.

FEATURES

MICROWAVE OVEN FEATURES

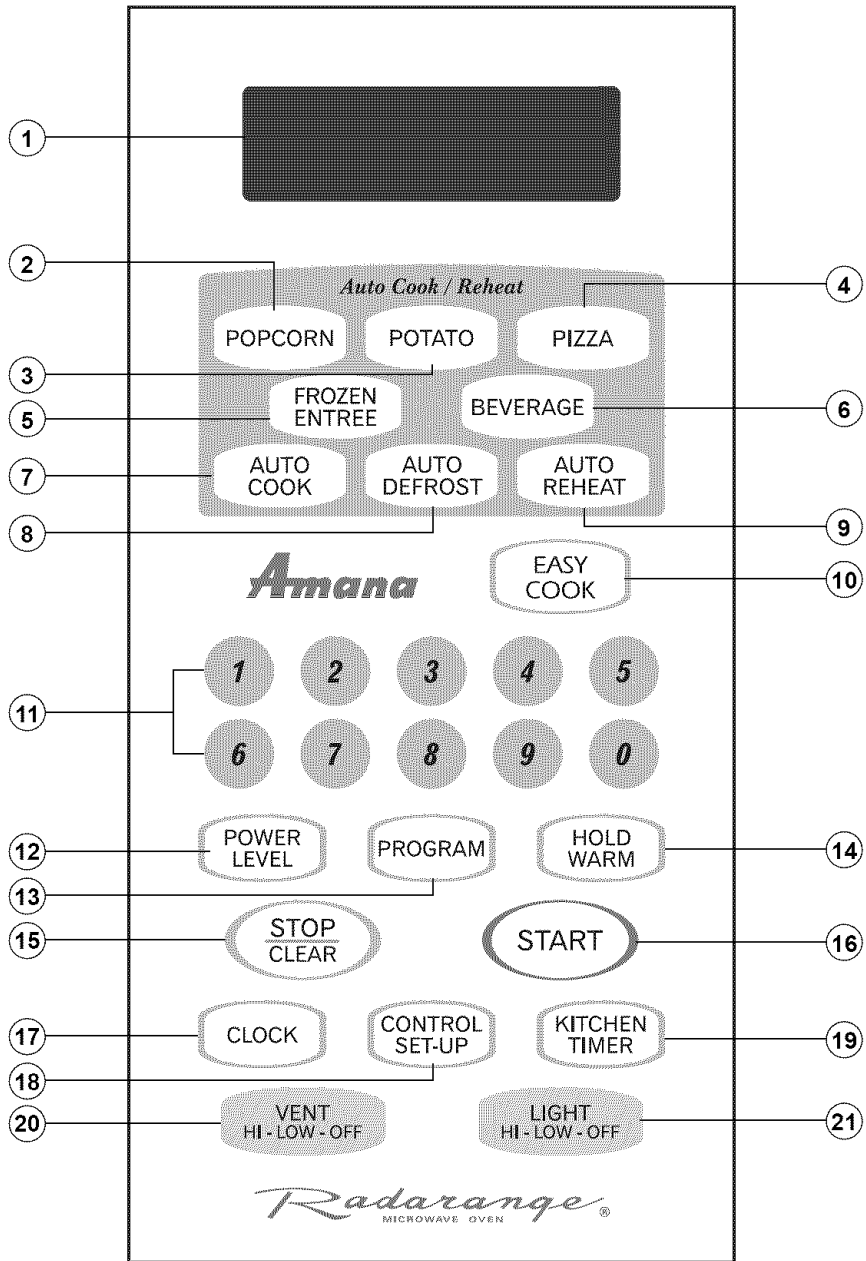


OVEN SPECIFICATIONS

| | |
|--------------------------|--|
| Power Supply | 120 VAC, 60 Hz |
| Input Power | 1,500 W |
| Cooking Power | 950 W (IEC 60705 Standard) |
| Frequency | 2,450 MHz |
| Rated Current | 13 A |
| Outer Dimensions (WxHxD) | 29- ¹⁵ / ₁₆ " x 16- ⁷ / ₁₆ " x 15- ³ / ₈ " |
| Cavity Volume | 1.5 Cu. Ft |
| Net Weight | 52 lbs |

FEATURES

OVEN CONTROL PANEL



FEATURES

- 1. DISPLAY:** The Display includes a clock and indicators to tell you time of day, cooking time settings and cooking functions selected.
- 2. POPCORN:** Touch this pad when popping popcorn in your microwave oven.
- 3. POTATO:** Touch this pad to cook potatoes from 1 to 4.
- 4. PIZZA:** Touch this pad to reheat 1 to 3 slices.
- 5. FROZEN ENTREE:** Touch this pad to cook frozen entrees by choosing a preset weight.
- 6. BEVERAGE:** Touch this pad to reheat one cup or two cups a beverage.
- 7. AUTO COOK:** Touch this pad to cook vegetables, rice, or casseroles.
- 8. AUTO DEFROST:** Meat, poultry, fish. Touch on pad to select food type and defrost food by weight.
- 9. AUTO REHEAT:** Touch this pad to reheat dinner plate, soup/sauce, casserole, roll/muffin.
- 10. EASY COOK:** Touch this pad to set and start quickly at 100% power level.
- 11. NUMBER:** Touch number pads to enter cooking time, power level, quantities or weights.
- 12. POWER:** Touch this pad to select a cooking power level.
- 13. PROGRAM:** Touch this pad to recall one cooking instruction previously programmed into memory.
- 14. HOLD WARM:** Touch this pad to keep hot, cooked foods safety warm in your microwave oven for up to 99 minutes 99 seconds.
- 15. STOP/CLEAR:** Touch this pad to stop the oven or clear all entries.
- 16. START:** Touch this pad to start a function. If you open the door after oven begins to cook, retouch START.
- 17. CLOCK:** Touch this pad to enter the time of day.
- 19. KITCHEN TIMER:** Touch this pad to set the kitchen timer.
- 18. CONTROL SET-UP:** Touch this pad to change the oven's default settings for sound, clock, display speed, defrost weight, and demo mode operations.
- 20. VENT HI/LOW/OFF:** Touch this pad to turn the fan on or off.
- 21. LIGHT HI/LOW/OFF:** Touch this pad to turn on the cooktop/countertop light.

OPERATION

LEARN ABOUT YOUR MICROWAVE OVEN

This section discusses the concepts behind microwave cooking and introduces you to the basics you need to know to operate your microwave oven. Please read this information before use.

CAUTION

To avoid risk of personal injury or property damage, do not use stoneware, aluminum foil, metal utensils, or metal trimmed utensils in the oven.

CAUTION

To avoid risk of personal injury or property damage, do not run oven empty.

CLOCK

Example: To set 8:00 AM.

STOP
CLEAR

1. Touch **STOP/CLEAR**.

CLOCK

2. Touch **CLOCK**.

8

0

0

3. Enter the time by using the number key pad.

CLOCK

4. Touch **CLOCK**.
(or **START**)

KITCHEN TIMER

You can use your microwave oven as a timer. Use the Timer for timing up to 99 minutes, 99 seconds.

Example: To count 3 minutes.

STOP
CLEAR

1. Touch **STOP/CLEAR**.

KITCHEN
TIMER

2. Touch **KITCHEN TIMER**.

3

0

0

3. Enter the time by using the number key pad.

START

4. Touch **START**.
When the time is over, you will hear seven beeps and **END** will display.

OPERATION

VENT HI / LOW / OFF



The FAN moves steam and other vapors from the surface cooking. Touch VENT once for High fan speed, twice for Low fan speed, or a three times to turn the fan off.

NOTE: If the temperature gets too hot around the microwave oven, the fan in the vent hood will automatically turn on at the LOW setting to cool the oven. It may stay on up to an hour to cool the oven. When this occurs, **you can not turn the fan off manually.**

LIGHT HI / LOW / OFF



Touch LIGHT once for bright light, twice for the night light or three times to turn the light off.

CHILD LOCK

You may lock the control panel to prevent the microwave from being accidentally started or used by children.

Example: To set the child lock.



1. Touch **STOP/CLEAR**.



2. Touch and hold **START** more than 4 seconds. **LOCKED** will appear in the display window with two beeps.

Example: To cancel the child lock.



1. Touch and hold **START** more than 4 seconds. **LOCKED** will disappear and you hear two beeps. At this time the oven is ready.

HOLD WARM

You can safely keep hot, cooked food warm in your microwave oven for up to 99 minutes 99 seconds. You can use HOLD WARM by itself, or to automatically follow a cooking cycle.

Example: To use the hold warm.



1. Touch **STOP/CLEAR**.



2. Touch **HOLD WARM**.



3. Touch **START**.

NOTES:

- HOLD WARM operates for up to 99 minutes 99 seconds.
- Food cooked covered should be covered during HOLD WARM.
- Pastry items (pies, turnovers, etc.) should be uncovered during HOLD WARM.
- Complete meals kept warm on a dinner plate could be covered during HOLD WARM.

To make HOLD WARM automatically follow another cycle:

- While you are programming the cooking instructions, touch HOLD WARM before touching START.
- When the last cooking cycle is over, you will hear two tones and "WARM" will appear in the oven display.
- You can set HOLD WARM to follow AUTO DEFROST, or multi-cycle cooking.

OPERATION

CONTROL SET-UP

You can change the default values for beep sound, clock, display speed, defrost weight, and demo mode operations. See following chart for more information.

| NUMBER | CONTROL SET-UP | NUMBER | RESULT |
|--------|----------------------------|--------|--------------|
| 1 | Sound ON/OFF control | 1 | Sound ON |
| | | 2 | Sound OFF |
| 2 | Clock display control | 1 | Clock ON |
| | | 2 | Clock OFF |
| 3 | Display | 1 | Slow speed |
| | | 2 | Normal speed |
| | | 3 | Fast speed |
| 4 | Defrost weight mode select | 1 | Lbs |
| | | 2 | Kg |
| 5 | Demo mode select | 1 | Demo ON |
| | | 2 | Demo OFF |

Example: To change defrost weight mode. (from lbs to kg)



1. Touch **STOP/CLEAR**.



2. Touch **CONTROL SET-UP**.



3. Touch number **4**.



4. Touch number **2**.

EASY COOK

A time-saving pad, this simplified control lets you quickly set and start microwave cooking without the need to touch **START**.

Example: To set EASY COOK for 2 minutes.



Touch **EASY COOK** 2 times. The oven begins cooking and display shows time counting down.

NOTE:

It will add 1 minutes up to 99 min 59 seconds.

PROGRAM

PROGRAM lets you recall one cooking instruction previously placed in memory and begin cooking quickly.

Example: To memorize for 2 minutes.



1. Touch **STOP/CLEAR**.



2. Touch **PROGRAM**.



3. Enter the cook time.

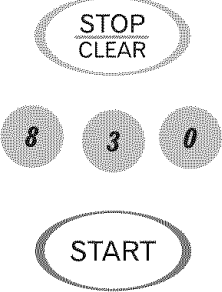


4. Touch **START**.

OPERATION

COOKING AT HIGH COOK POWER

Example: To cook food for 8 minutes 30 seconds.



1. Touch **STOP/CLEAR**.

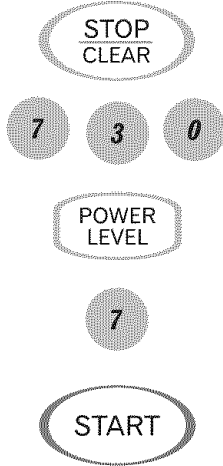
2. Enter the cook time.

3. Touch **START**.
When the cook time is over, you will hear four beeps and **END** will display.

COOKING AT LOWER POWER LEVELS

HIGH power cooking does not always give you the best results with foods that need slower cooking, such as roasts, baked goods, or custards. Your oven has 9 power settings in addition to "HIGH".

Example: To cook food for 7 minutes 30 seconds at 70% power level.



1. Touch **STOP/CLEAR**.

2. Enter the cook time.

3. Touch **POWER LEVEL**.

4. Enter the power level.

5. Touch **START**.
When the cook time is over, you will hear four beeps and **END** will display.

OPERATION

COOKING GUIDE FOR “LOWER POWER LEVELS”

The nine power levels in addition to “HIGH” allow you to choose the best power level for the food you are cooking. Below are listed all the power levels, examples of foods best cooked at each level, and the amount of microwave power you are using.

| POWER LEVEL | MICROWAVE OUTPUT | USE |
|--------------|------------------|---|
| 10 “HIGH” | 100% | <ul style="list-style-type: none"> • Boil water. • Cook ground beef. • Make candy. • Cook fresh fruits and vegetables. • Cook fish, and poultry. • Preheat browning dish. |
| 9 | 90% | <ul style="list-style-type: none"> • Reheat meat slices quickly. • Saute onions, celery, and green pepper. |
| 8 | 80% | <ul style="list-style-type: none"> • All reheating. • Cook scrambled eggs. |
| 7 | 70% | <ul style="list-style-type: none"> • Cook breads and cereal products. • Cook cheese dishes,veal. • Cook cakes,muffins,brownies,cup cakes. |
| 6 | 60% | <ul style="list-style-type: none"> • Cook pasta. |
| 5 | 50% | <ul style="list-style-type: none"> • Cook meats,whole poultry. • Cook custard. • Cook whole chicken,turkey,spare ribs,rib roast,sirloin roast. |
| 4 | 40% | <ul style="list-style-type: none"> • Cook less tender cuts of meat. • Reheat frozen convenience foods. |
| 3 | 30% | <ul style="list-style-type: none"> • Thawing meat,poultry,and seafood. • Cooking small quantities of food. • Finish cooking casserole,stew,and some sauces. |
| 2 | 20% | <ul style="list-style-type: none"> • Soften butter and cream cheese. • Heating small amounts of food. |
| 1 | 10% | <ul style="list-style-type: none"> • Soften ice cream. • Raise yeast dough. |
| 0 | | <ul style="list-style-type: none"> • Standing time. |

OPERATION

POPCORN

POPCORN lets you pop 1.75, 3.0, and 3.5 ounce bags of commercially packaged microwave popcorn. Pop only one package at a time. If you are using a microwave popcorn popper, follow manufacturer's instructions.

To correctly set your microwave oven, follow this chart:

| | | | |
|-----------------|------|-----|-----|
| Bag Size-ounces | 1.75 | 3.0 | 3.5 |
| Touch NUMBER | 1 | 2 | 3 |

Example: To pop a 3.0 oz. bag.

1. Touch **STOP/CLEAR**.
2. Touch **POPCORN**.
3. Touch number **2**.
When the cook time is over, you will hear four beeps and **END** will display.

CAUTION: Do not leave microwave unattended while popping popcorn.

BEVERAGE

BEVERAGE lets you heat up to 2 beverages.

NOTE:

- Reheat times based on an 8 ounce cup.
- Beverage heated with the beverage feature may be very hot.
- Remove the container with care.
- Beverage may be very hot, remove from oven with care.

Example: To reheat one 8 oz. beverage.

1. Touch **STOP/CLEAR**.
2. Touch **BEVERAGE**.
3. Touch number **1**.
When the cook time is over, you will hear four beeps and **END** will display.

FROZEN ENTREE

You can cook frozen entrees by choosing a preset weight. FROZEN ENTREE has preset times and cook powers for two weights. (To select weight, press number 1 for 283g (10 oz.) or number 2 for 567g (20 oz.))

Example for 283g (10 oz.)

1. Touch **FROZEN ENTREE**.
2. Touch number **1**.
When the cook time is over, you will hear four beeps and **END** will display.

POTATO

The POTATO pad lets you cook potatoes with the preset times and cook powers. You can choose from 1 to 4 potatoes.

NOTE:

- Cooking times based on an average 8 ounce potato.
- Before baking, pierce potato with fork several times.
- After baking, let stand for 5 minutes.

Example: To cook 2 Potatoes.

1. Touch **STOP/CLEAR**.
2. Touch **POTATO**.
3. Touch number **2**.
When the cook time is over, you will hear four beeps and **END** will display.

PIZZA

PIZZA lets you reheat up to 3 slices pizza. A slice is based on a 5 ounce.

Example: To reheat 1 slice Pizza.

1. Touch **STOP/CLEAR**.
2. Touch **PIZZA**.
3. Touch number **1**.
When the cook time is over, you will hear four beeps and **END** will display.

OPERATION

AUTO COOK

AUTO COOK provides four preset categories for cooking.

Example: To Auto Cook 2 cups of Rice.

1. Touch **STOP/CLEAR**.

2. Touch **AUTO COOK**.

3. Choose food category.

| Category | Touch pad number |
|------------------|------------------|
| Fresh vegetable | 1 |
| Frozen vegetable | 2 |
| Rice | 3 |
| Casserole | 4 |

4. Enter quantity/servings.

| Category | Number of cups |
|------------------|----------------|
| Fresh vegetable | 1 - 4 cups |
| Frozen vegetable | 1 - 4 cups |
| Rice | 1 - 2 cups |
| Casserole | 1 - 4 cups |

When the cook time is over, you will hear four beeps and **END** will display.

COOKING GUIDE FOR "AUTO COOK"


| CODE | CATEGORY | QUANTITY | DIRECTIONS |
|------|------------------|--|---|
| 1 | FRESH VEGETABLE | 1 cup Vegetables and 2 tbsp water | Place in a microwavable bowl or casserole. Add amount of water according to the quantity. Cover with vented plastic wrap. Let stand 5 minutes. |
| | | 2 cups Vegetables and 1/4 cup of water | |
| | | 3 cups Vegetables and 1/3 cup of water | |
| | | 4 cups Vegetables and 1/2 cup of water | |
| 2 | FROZEN VEGETABLE | 1 cup | Place in a microwavable bowl or casserole. Cover with vented plastic wrap. Let stand 5 minutes. |
| | | 2 cups | |
| | | 3 cups | |
| | | 4 cups | |
| 3 | RICE | 1 cup of Long grain rice and 2 1/4 cup of water | In large microwavable casserole, combine water, rice, margarine and salt. Cover with microwavable lid or vented plastic wrap. After cooking, let stand covered for 5 minutes. |
| | | 2 cups of Long grain rice and 4 1/4 cup of water | |
| 4 | CASSEROLE | 1 cup | Place in a microwavable bowl or casserole. Cover with vented plastic wrap. |
| | | 2 cups | |
| | | 3 cups | |
| | | 4 cups | |


OPERATION


AUTO REHEAT

AUTO REHEAT provides four preset categories for reheating.

Example: To reheat 3 cups of Casserole.








1. Touch **STOP/CLEAR**.

2. Touch **AUTO REHEAT**.

3. Choose food category.

| Category | Touch pad number |
|--------------|------------------|
| Dinner Plate | 1 |
| Soup/Sauce | 2 |
| Casserole | 3 |
| Roll/Muffin | 4 |



4. Enter quantity/servings.

| Category | Number of cups/Items |
|--------------|----------------------|
| Dinner plate | 1 - 2 servings |
| Soup/sauce | 1 - 4 cups |
| Casserole | 1 - 4 cups |
| Roll/Muffin | 1 - 4 pieces |

When the cook time is over, you will hear four beeps and **END** will display.

COOKING GUIDE FOR "AUTO REHEAT"

| CODE | CATEGORY | SERVING AMOUNT | DIRECTION |
|------|--------------|----------------|---|
| 1 | DINNER PLATE | 1 serving | Place on a low plate. Cover with vented plastic wrap. |
| | | 2 servings | |
| 2 | SOUP/SAUCE | 1 cup | Place in shallow microwavable casserole. Cover with vented plastic wrap. |
| | | 2 cups | |
| | | 3 cups | |
| | | 4 cups | |
| 3 | CASSEROLE | 1 cup | Place in a microwavable bowl or casserole. Cover with plastic wrap. |
| | | 2 cups | |
| | | 3 cups | |
| | | 4 cups | |
| 4 | ROLL/MUFFIN | 1 piece | Place on paper towel. Do not cover. |
| | | 2 pieces | |
| | | 3 pieces | |
| | | 4 pieces | |

OPERATION

AUTO DEFROST

Your microwave oven is preset with three defrost sequences. Using AUTO DEFROST is the best way to defrost frozen foods. The Auto Defrost Sequence Table below provides some basic guidelines for using the three defrost sequences.

Example: To defrost 1.2 lbs of ground beef.

1. Touch **STOP/CLEAR**.
2. Touch **AUTO DEFROST**.
3. Choose food category.

| Category | Touch pad number |
|----------|------------------|
| Meat | 1 |
| Poultry | 2 |
| Fish | 3 |
4. Enter the weight.
5. Touch **START**.
6. After 1/3 of the defrost time is over, The display will prompt you to turn over food. Open door, turn over food, and shield any warm portions.
7. Close the door and restart.
8. After 2/3 of the defrost time is over, the display will prompt you to turn over food. Repeat steps 6 and 7. When the defrost time is over, you will hear four beeps and **END** will display.

NOTE: If you do not open the door, the display will resume the countdown.

However, in order to enter food weight in AUTO DEFROST, you must specify pounds and tenths of a pound. If the weight on the food package is in fractions of a pound, you can use the following chart to convert the weight to decimals.

| EQUIVALENT OUNCE WEIGHT | NUMBER AFTER DECIMAL | |
|-------------------------|----------------------|----------------------|
| 1.6 | .10 | |
| 3.2 | .20 | |
| 4.0 | .25 | One-Quarter Pound |
| 4.8 | .30 | |
| 6.4 | .40 | |
| 8.0 | .50 | One- Half Pound |
| 9.6 | .60 | |
| 11.2 | .70 | |
| 12.0 | .75 | Three-Quarters Pound |
| 12.8 | .80 | |
| 14.4 | .90 | |
| 16.0 | 1.00 | One Pound |

DEFROSTING TIPS

- When using AUTO DEFROST, the weight to be entered is the net weight in pounds and tenths of pounds (the weight of the food minus the container).
- Only use AUTO DEFROST for raw food. AUTO DEFROST gives best results when food to be thawed is a minimum of 0°F (taken directly from a "true" freezer). If food has been stored in a refrigerator-freezer that does not maintain a temperature of 5°F or below, always program a lower food weight (for a shorter defrosting time) to prevent cooking the food.
- If the food is stored outside the freezer for up to 20 minutes, enter a lower food weight.
- The shape of the package alters the defrosting time. Shallow rectangular packets defrost more quickly than a deep block.
- Separate pieces as they begin to defrost. Separated pieces defrost more easily.
- You can use small pieces of aluminum foil to shield foods like chicken wings, leg tips, and fish tails, but the foil must not touch the side of the oven. Foil can damage the oven lining.
- Shield areas of food with small pieces of foil if they start to become warm.
- For better results, a preset standing time is included in the defrosting time.

Weight conversion chart

You are probably used to food weights as being in pounds and ounces that are fractions of a pound (for example 4 ounces equals 1/4 pound).

OPERATION

AUTO DEFROST CHART

Meat setting

| FOOD | SETTING | AT BEEP | SPECIAL INSTRUCTIONS |
|---------------------------------|---------|---|--|
| BEEF | | | Meat of irregular shape and large, fatty cuts of meat should have the narrow or fatty areas shielded with foil at the beginning of a defrost sequence. |
| Ground beef (bulk) | MEAT | Remove thawed portions with fork. Turn over. Return remainder to oven. | Do not defrost less than 1/4 lb. Freeze in doughnut shape. |
| Ground beef (patties) | MEAT | Separate and rearrange. | Do not defrost less than two oz.patties. Depress center when freezing. |
| Round steak | MEAT | Turn over. Cover warm areas with aluminum foil. | Place on a microwavable roasting rack. |
| Tenderloin steak | MEAT | Turn over. Cover warm areas with aluminum foil. | Place on a microwavable roasting rack. |
| Stew beef | MEAT | Remove thawed portions with fork. Separate remainder. Return remainder to oven. | Place in a microwavable baking dish. |
| Pot roast, chuck roast | MEAT | Turn over. Cover warm areas with aluminum foil. | Place on a microwavable roasting rack. |
| Rib roast | MEAT | Turn over. Cover warm areas with aluminum foil. | Place on a microwavable roasting rack. |
| Rolled rump roast | MEAT | Turn over. Cover warm areas with aluminum foil. | Place on a microwavable roasting rack. |
| LAMB | | | |
| Cubes for stew | MEAT | Remove thawed portions with fork. Return remainder to oven. | Place in a microwavable baking dish. |
| Chops (1 inch thick) | MEAT | Separate and rearrange. | Place on a microwavable roasting rack. |
| PORK | | | |
| Chops (1 inch thick) | MEAT | Separate and rearrange. | Place on a microwavable roasting rack. |
| Hot dogs | MEAT | Separate and rearrange. | Place on a microwavable roasting rack. |
| Spareribs Country style ribs | MEAT | Turn over. Cover warm areas with aluminum foil. | Place on a microwavable roasting rack. |
| Sausage, links | MEAT | Separate and rearrange. | Place on a microwavable roasting rack. |
| Sausage, bulk | MEAT | Remove thawed portions with fork. Turn over. Return remainder to oven. | Place in a microwavable baking dish. |
| Loin roast, boneless | MEAT | Turn over. Cover warm areas with aluminum foil. | Place on a microwavable roasting rack. |

OPERATION

AUTO DEFROST CHART (continued)

Poultry setting

| FOOD | SETTING | AT BEEP | SPECIAL INSTRUCTIONS |
|---------------------------------------|---------|--|--|
| CHICKEN Whole Cut-up | POULTRY | Turn over (finish defrosting breast-side down). Cover warm areas with aluminum foil. Turn over. Cover warm areas with aluminum foil. Separate pieces and rearrange. | Place chicken breast-side-up on a microwavable roast rack. Finish defrosting by immersing in cold water. Remove giblets when chicken is partially defrosted. Place on a microwavable roasting rack. Finish defrosting by immersing in cold water. |
| CORNISH HENS Whole | POULTRY | Turn over. Cover warm areas with aluminum foil. | Place on a microwavable roasting rack. Finish defrosting by immersing in cold water. |
| TURKEY Breast | POULTRY | Turn over. Cover warm areas with aluminum foil. | Place on a microwavable roasting rack. Finish defrosting by immersing in cold water. |

Fish setting

| FOOD | SETTING | AT BEEP | SPECIAL INSTRUCTIONS |
|---|------------------------------|---|--|
| FISH Fillets Steaks Whole | FISH FISH FISH | Turn over. Separate fillets when partially thawed if possible. Separate and rearrange. | Place in a microwavable baking dish. Carefully separate fillets under cold water. Place in a microwavable baking dish. Run cold water over to finish defrosting. Place in a microwavable baking dish. Cover head and tail with foil; do not let foil touch sides of microwave. Finish defrosting by immersing in cold water. |
| SHELLFISH Crabmeat Lobster tails Shrimp Scallops | FISH FISH FISH FISH | Break apart. Rearrange. Separate and rearrange. Separate and rearrange. | Place in a microwavable baking dish. Place in a microwavable baking dish. Place in a microwavable baking dish. Place in a microwavable baking dish. |

NOTE : Food to be defrosted must be not more than 6.0 lbs. (4.0kg)

* Available weight is 0.1~6.0 lbs. (0.1~4.0kg)

COOKING

GETTING THE BEST COOKING RESULTS

To get the best results from your microwave oven, read and follow the guidelines below.

- **Storage Temperature:** Foods taken from the freezer or refrigerator take longer to cook than the same foods at room temperature. The time for recipes in this book is based on the normal storage temperature of the food.
- **Size:** Small pieces of food cook faster than large ones, pieces similar in size and shape cook more evenly. For even cooking, reduce the power when cooking large pieces of food.
- **Natural Moisture:** Very moist foods cook more evenly because microwave energy is attracted to water molecules.
- **Stir** foods such as casseroles and vegetables from the outside to the center to distribute the heat evenly and speed cooking. Constant stirring is not necessary.
- **Turn over** foods like pork chops, baking potatoes, roasts, or whole cauliflower halfway through the cooking time to expose all sides equally to microwave energy.
- **Place** delicate areas of foods, such as asparagus tips, toward the center of the dish.
- **Arrange** unevenly shaped foods, such as chicken pieces or salmon steaks, with the thicker, meatier parts toward the outside of the dish.
- **Shield**, with **Small** pieces of aluminum foil, parts of food that may cook quickly, such as wing tips and leg ends of poultry.
- **Let It Stand:** After you remove the food from the microwave, cover food with foil or casserole lid and let it stand to finish cooking in the center and avoid overcooking the outer edges. The length of standing time depends on the density and surface area of the food.
- **Wrapping in waxed paper or paper towel:** Sandwiches and many other foods containing prebaked bread should be wrapped prior to microwaving to prevent drying out.

FISH & SHELLFISH

Cooking Fish and Shellfish: General Directions

- Prepare the fish for cooking.
 - Completely defrost the fish or shellfish.
 - Arrange unevenly shaped pieces with thicker parts toward the outside of the dish. Arrange shellfish in a single layer for even cooking.
 - The type of cover you use depends on how you cook. Poached fish needs a microwavable lid or **vented** plastic wrap.
 - Baked fish, coated fish, or fish in sauce needs to be covered lightly with waxed paper to keep the coating crisp and sauce from getting watery.
- Always set the shortest cooking time. Fish is done when it turns opaque and the thickest part begins to flake. Shellfish is done when the shell turns from pink to red and the flesh is opaque and firm.
- The Fish and Shellfish Cooking Table below provides specific directions with Power Level and Cooking Time settings for most types of fish and shellfish.

Fish And Shellfish Cooking Table

| FISH | POWER LEVEL | COOKING TIME | DIRECTIONS |
|-----------------|-------------|--|---|
| Fish fillets | HI | 3 ¹ / ₂ -4 ¹ / ₂ minutes | Arrange fish in a single layer with thickest portion toward outside edge of 1 ¹ / ₂ quart microwavable baking dish. Brush with melted butter and season, if desired. Cook covered with vented plastic wrap. Let stand covered 2 minutes. If you are cooking more than 1 lb. of fish, turn the fish halfway through cooking. |
| Fish steaks | HI | 4 ¹ / ₂ -5 ¹ / ₂ minutes | |
| Whole fish | 7 | 4 ¹ / ₂ -6 minutes | |
| Scallops | HI | 3 ¹ / ₂ -5 minutes | Arrange in a single layer. Prepare as directed above, except stir instead of turning the shellfish. |
| Shrimp, shelled | HI | 3 ¹ / ₂ -5 minutes | |

COOKING

APPETIZERS / SAUCES / SOUPS

Cooking Appetizers: Tips and Techniques

Recommended

- Crisp crackers, such as melba toast, shredded wheat, and crisp rye crackers are best for microwave use. Wait until party time to add the spreads. Place a paper towel under the crackers while they cook in the microwave oven to absorb extra moisture.
- Arrange individual appetizers in a circle for even cooking.
- Stir dips to distribute heat and shorten cooking time.

Cooking Sauces: Tips and Techniques

- Use a microwavable casserole or glass measuring cup that is at least 2 or 3 times the volume of the sauce.
- Sauces made with cornstarch thicken more rapidly than those made with flour.

Cooking Soups: Tips and Techniques

- Cook soups in a microwavable dish which holds double the volume of the recipe ingredients to prevent boil-over, especially if you use cream or milk in the soup.
- Generally, cover microwaved soups with VENTED plastic wrap or a microwavable lid.
- Cover foods to retain moisture. Uncover foods to retain crispness.
- Avoid overcooking by using the minimum suggested time. Add more time, if necessary, only after checking the food.

Not Recommended

- Appetizers with a crisp coating or puff pastry are best done in a conventional oven with dry heat.
- Breaded products can be warmed in the microwave oven but will not come out crisp.
- Cook sauces made with cornstarch or flour uncovered so you may stir them 2 or 3 times during cooking for a smooth consistency.
- To adapt a conventional sauce or gravy recipe, reduce the amount of liquid slightly.
- Stirring occasionally will help blend flavors, distribute heat evenly, and may even shorten the cooking time.
- When converting a conventional soup recipe to cook in the microwave, reduce the liquid, salt, and strong seasonings.

MEAT

Cooking Meat: General Directions

- Prepare the meat for cooking.
 - Defrost completely.
 - Trim off excess fat to avoid splattering.
 - Place the meat, fat side down, on a microwavable rack in a microwavable dish.
 - Use oven cooking bag for less tender cuts of meat.
 - Arrange the meat so that thicker portions are toward the outside of the dish.
 - Cover the meat with waxed paper to prevent splattering.
- Tend the meat as it cooks.
 - Drain juices as they accumulate to reduce splattering and keep from overcooking the bottom of the meat.
 - Shield thin or bony portions with strips of foil to prevent overcooking.

NOTE: Keep the foil at least 1 inch from the oven walls, and do not cover more than one-third of the meat with foil at any one time.

- Let the meat stand covered with foil 10-15 minutes after you remove it from the oven. The internal temperature of the meat may rise from 5-10°F during standing time.

The Meat Cooking Table on the next page provides detailed directions, Power Level, and Cooking Time settings for most cuts of meat.

COOKING

Meat Cooking Table

| MEAT | POWER LEVEL | COOKING TIME | DIRECTIONS |
|--|-------------|---|---|
| Beef Hamburgers, Fresh or defrosted (4 oz. each) 1 patty 2 patties 4 patties | HI | 1-1½ minutes 1½-2 minutes 2½-3½ minutes | Form patties with depression in center of each. Place on microwavable roast rack. Brush with browning agent, if desired. Cover with waxed paper. Turn over halfway through cooking. Let stand covered 1 minute. |
| Sirloin tip roast (3-4 lbs.) | 5 | 8-10 minutes per pound RARE(135°F) 11-13 minutes per pound MEDIUM(155°F) | Place roast fat side down on microwavable roast rack. Add desired seasonings and cover with waxed paper. Turn meat over halfway through cooking and shield if necessary. Remove roast from microwave oven when desired temperature is reached. Let stand covered with foil 15 minutes.(Temperature may rise about 10°F). |
| Lamb Lamb roast, rolled boneless (3-4 lbs.) | 5 | 11-12 minutes per pound RARE(135°F) 12-13 minutes per pound MEDIUM(145°F) 13-14 minutes per pound WELL(155°F) | Place roast fat side down on microwavable roast rack. Brush lamb with marinade or desired seasonings such as rosemary, thyme or marjoram. Cover with waxed paper. Turn roast over after 15 minutes, and again after 30 minutes. Shield if necessary. Remove roast from microwave when desired temperature is reached. Let stand covered with foil 15 minutes (Temperature may rise about 10°F). |
| Pork Bacon slices 2 slices 4 slices 6 slices | HI | 1½-2 minutes 2½-3 minutes 3½-4½ minutes | Place bacon slices on microwavable roast rack. Cover with paper towels. After cooking, let stand 1 minute. |
| Chops (5-7 oz. each) 2 chops 4 chops | 3 | 18-20 minutes per pound 15-17 minutes per pound | Place chops in microwavable baking dish. Add desired seasonings and cover with vented plastic wrap. Cook until no longer pink or until internal temperature reaches 170°F. Turn chops over halfway through cooking. Let stand covered 5 minutes. (Temperature may rise about 10°F). |
| Loin Roast, rolled, boneless (3 ½- 4 ½ lbs.) | 3 | 25-27 minutes per pound (165°F) | Place roast in cooking bag in microwavable dish. Add seasonings and browning agent if desired. Close bag loosely with microwavable closure or string. After cooking, let stand in bag 15 minutes. (Temperature may rise about 10°F.) Internal temperature of pork should reach 170°F before serving. |
| Sausage links, Fresh or Frozen, defrosted (1-2 oz. each) 2 links 4 links 6 links 10 links (8 oz. pkg.) | HI | 45-60 seconds 1-1½ minutes 1½-2 minutes 1¾-2 minutes | Pierce links and place on microwavable roast rack. Cover with waxed paper or paper towel. Turn over halfway through cooking. After cooking, let stand covered 1 minute. |

COOKING

POULTRY

Cooking Poultry: General Directions

- Prepare the poultry for cooking.
 - Defrost completely.
 - Arrange poultry pieces with thicker pieces at the outside edge of the baking dish. When cooking legs, arrange them like the spokes of a wheel.
 - Cover the baking dish with waxed paper to reduce splattering.
 - Use a browning agent or cook with a sauce to give a browned appearance.
- Watch the poultry as it cooks.
 - Drain and discard juices as they accumulate.
 - Shield thin or bony pieces with small strips of aluminum foil to prevent overcooking. Keep foil **at least 1 inch** from the oven walls and other pieces of foil.
- Poultry is done when it is no longer pink and the juices run clear. When done, the temperature in the thigh meat should be 180-185°F.
- Let the poultry stand after cooking covered with foil for 10 minutes.

The Poultry Cooking Table below provides detailed directions, Power Level, and Cooking Time settings for most cuts and types of poultry.

Poultry Cooking Table

| POULTRY | POWER LEVEL | COOKING TIME | DIRECTIONS |
|-------------------------------------|-------------|-------------------------|---|
| Chicken pieces (2½-3 lbs). | HI | 4½-5½ minutes per pound | Wash, shake the water off, and go on with cooking. Place pieces in a single layer in a microwavable baking dish with thicker pieces to the outside. Brush with butter or browning agent and seasonings if desired. Cover with waxed paper. Cook until no longer pink and juices run clear. Let stand covered 5 minutes. |
| Chicken whole (3-3½ lbs) | HI | 12-13 minutes per pound | Before cooking, wash and shake off water. Place breast side down on a microwavable roast rack. Brush with butter, or browning agent and seasoning if desired. Cover with waxed paper. Cook ⅓ of estimated time. Turn breast side up, brush with butter, or browning agent. Replace waxed paper. Cook ⅓ of estimated time again. Shield if necessary. Cook remaining ⅓ of estimated time or until no longer pink and juices run clear. Let stand covered with foil 10 minutes. (The temperature may rise about 10°F.) The temperature in the thigh should be 180°F-185°F when the poultry is done. |
| Cornish Hens Whole (1-1½ lbs. each) | HI | 6-7 minutes per pound | Wash, shake the water off, and go on with cooking. Tie wings to body of hen and the legs to tail. Place hens breast side down on microwavable rack. Cover with waxed paper. Turn breast side up halfway through cooking. Shield bone ends of drumsticks with foil. Remove and discard drippings. Brush with butter or browning agent and seasonings if desired. Cook until no longer pink and juices run clear. Remove hens from microwave when they reach desired temperature. Let stand covered with foil 5 minutes. (Temperature may rise about 10°F). Temperature in breast should be 170°F before serving. |

COOKING

PASTA AND RICE

Microwave cooking and conventional cooking of pasta, rice, and cereal require about the same amount of time, but the microwave is a more convenient method because you can cook and serve in the same dish.

There is no stirring needed and leftover pasta tastes just like fresh cooked when reheated in the microwave oven.

Cooking Pasta and Rice: Tips and Techniques

- If you are planning to use rice or pasta in a casserole, undercook it so it is still firm.
- Allow for standing time with rice, but not for pasta.
- The Pasta and Rice Cooking Tables below provide specific directions, with Power Level and cooking time settings for most common types of pasta and rice.

Pasta Cooking Table

| TYPE OF PASTA | POWER LEVEL | COOKING TIME | DIRECTIONS |
|--|-------------|---|--|
| Spaghetti 4 cups water Add 8 oz. spaghetti | HI 5 | 9 to 10 minutes 7 ¹ / ₂ to 8 ¹ / ₂ minutes | Combine hot tap water and salt, if desired. Use a 2-quart microwavable baking dish and cover with vented plastic wrap for spaghetti and lasagna noodles. Use microwavable lid or vented plastic wrap for macaroni and egg noodles. Cook at Power Level HI as directed in chart or until water boils. Stir in pasta; cook covered at Power Level 5 as directed in chart or until tender. Drain in a colander. |
| Macaroni 3 cups water Add 2 cups macaroni | HI 5 | 6 to 7 minutes 5 ¹ / ₂ to 6 ¹ / ₂ minutes | |
| Lasagna noodles 4 cups water Add 8 oz. lasagna noodles | Hi 5 | 7 to 8 minutes 11 to 12 ¹ / ₂ minutes | |
| Egg noodles 6 cups water Add 4 cups noodles | HI 5 | 8 to 10 minutes 5 ¹ / ₂ to 6 ¹ / ₂ minutes | |

Rice Cooking Table

| TYPE OF RICE | POWER LEVEL | COOKING TIME | DIRECTIONS |
|---|-------------|--|---|
| Long grain 2 ¹ / ₄ cups water Add 1 cup rice | HI 5 | 4 ¹ / ₂ to 5 ¹ / ₂ minutes 14 minutes | Combine hot tap water and salt, if desired, in 2 quart microwavable casserole. Cover with microwavable lid or vented plastic wrap. Cook as directed in chart at Power Level HI or until water boils. Stir in rice and any seasonings. Cook covered as directed in chart at Power Level 5 or until water is absorbed and rice is tender. Let stand covered 5 to 10 minutes. Fluff with fork. |
| Brown 2 ¹ / ₂ cups water Add 1 cup rice | HI 5 | 4 ¹ / ₂ to 5 ¹ / ₂ minutes 28 minutes | |
| Long grain and wild rice mix 2 ¹ / ₃ cups water Add 6 oz. pkg. | Hi 5 | 4 to 5 minutes 24 minutes | |
| Quick cooking 1 cup water Add 1 cup rice | HI | 2 to 3 minutes | Cook water until it boils. Stir rice into boiling water and let stand, covered 5 to 10 minutes or until water is absorbed and rice is tender. Fluff with fork. |

MAINTENANCE

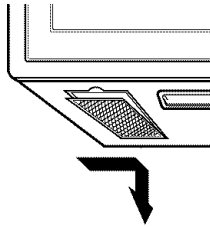
CARE AND CLEANING

For best performance and safety, keep the oven clean inside and outside. Take special care to keep the inner door panel and the oven front frame free of food or grease build-up. **Never use rough powder or pads.** Wipe the microwave oven inside and out, including the hood bottom cover, with a soft cloth and a warm(not hot) mild detergent solution. Then rinse and wipe dry. Use a chrome cleaner and polish on chrome, metal and aluminum surfaces. Wipe spatters immediately with a wet paper towel, especially after cooking chicken or bacon. Clean your oven weekly or more often, if needed.

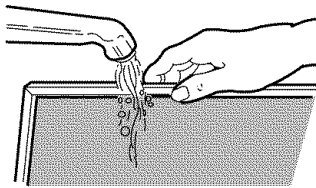
CLEANING THE GREASE FILTERS

The grease filters should be removed and cleaned often, at least once a month.

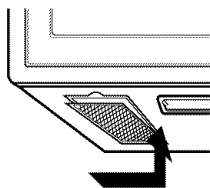
1. To remove grease filters, slide each filter to the side. Pull filters downward and push to the other side. The filter will drop out.



2. Soak grease filters in hot water and a mild detergent. Rinse well and shake to dry. **Do not use ammonia or place in a dishwasher. The aluminum will darken.**



3. To reinstall the filters, slide it into the side slot, then push up and toward oven center to lock.



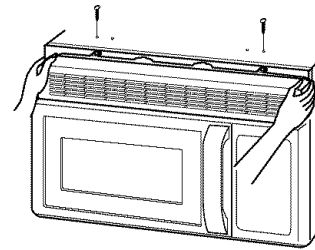
⚠ CAUTION

To avoid risk of personal injury or property damage, do not operate oven hood without filters in place.

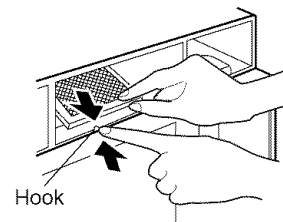
CHARCOAL FILTER REPLACEMENT

If your oven is vented inside, the charcoal filter should be replaced every 6 to 12 months, and more often if necessary. The charcoal filter cannot be cleaned. To order a new charcoal filter, contact the Parts Department at your nearest Authorized Service Center or call Amana at 1-800-843-0304 (inside U.S.A) 1-319-622-5511 (outside U.S.A). Order Charcoal Filter kit #: MVHRK4.

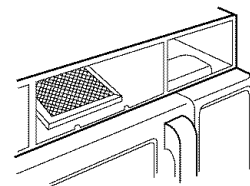
1. Remove the two vent grille mounting screws. (2 middle screws)
2. Tip the grille forward, then lift it out



3. Open the door.
4. Push the hook and remove old filter.



5. Slide a new charcoal filter into place and close the door. The filter should rest at the angle shown and set the clock.

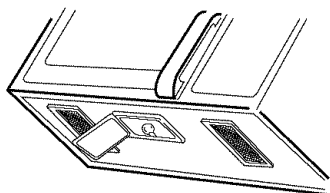


6. Slide the bottom of the vent cover into place. Push the top until it snaps into place. Replace the mounting screws. Turn the power back on at the main power supply and set the clock.

MAINTENANCE

COOKTOP/NIGHT LIGHT REPLACEMENT

1. Unplug oven or turn off power at the main power supply.
2. Remove the bulb cover mounting screws.



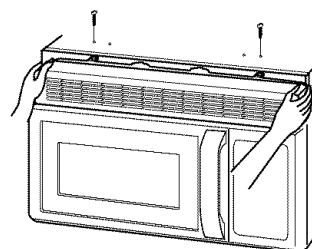
3. Replace bulb with 30 watt appliance bulb.
4. Replace bulb cover, and mount screw.
5. Turn the power back on at the main power supply.

CAUTION

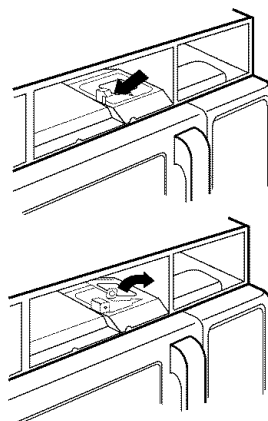
To avoid personal injury or property damage, wear gloves when replacing light bulb.

OVEN LIGHT REPLACEMENT

1. Unplug oven or turn off power at the main power supply.
2. Remove the vent cover mounting screws. (2 middle screws)
3. Tip the cover forward, then lift out to remove.



4. Lift up the bulb holder.



5. Replace bulb with a 30 watt appliance bulb.
6. Replace the bulb holder.
7. Slide the top of the vent cover into place. Push the bottom until it snaps into place. Replace the mounting screws. Turn the power back on at the main power supply.

RECOMMENDED UTENSIL

MICROWAVE UTENSIL GUIDE

| USE | DO NOT USE |
|--|---|
| <p>OVENPROOF GLASS (treated for high intensity heat): utility dishes, loaf dishes, pie plates, cake plates, liquid measuring cups, casseroles and bowls without metallic trim.</p> <p>CHINA: bowls, cups, serving plates and platters without metallic trim.</p> <p>PLASTIC: Plastic wrap (as a cover)-- lay the plastic wrap loosely over the dish and press it to the sides. Vent plastic wrap by turning back one edge slightly to allow excess steam to escape. The dish should be deep enough so that the plastic wrap will not touch the food. As the food heats it may melt the plastic wrap wherever the wrap touches the food. Use plastic dishes, cups, semirigid freezer containers and plastic bags only for short cooking time. Use these with care because the plastic may soften from the heat of the food.</p> <p>PAPER: Paper towels, waxed paper, paper napkins, and paper plates with no metallic trim or design. Look for the manufacturer's label for use in the microwave oven.</p> | <p>METAL UTENSILS: Metal shields the food from microwave energy and produces uneven cooking. Also avoid metal skewers, thermometers or foil trays. Metal utensils can cause arcing, which can damage your microwave oven.</p> <p>METAL DECORATION: Metal-trimmed or metal-banded dinnerware, casserole dishes, etc. The metal trim interferes with normal cooking and may damage the oven.</p> <p>ALUMINUM FOIL: Avoid large sheets of aluminum foil because they hinder cooking and may cause harmful arcing. Use small pieces of foil to shield poultry legs and wings. Keep ALL aluminum foil at least 1 inch from the side walls and door of the oven.</p> <p>WOOD: Wooden bowls and boards will dry out and may split or crack when you use them in the microwave oven. Baskets react in the same way.</p> <p>TIGHTLY COVERED UTENSILS: Be sure to leave openings for steam to escape from covered utensils. Pierce plastic pouches of vegetables or other food items before cooking. Tightly closed pouches could explode.</p> <p>BROWN PAPER: Avoid using brown paper bags. They absorb too much heat and could burn.</p> <p>FLAWED OR CHIPPED UTENSILS: Any utensil that is cracked, flawed, or chipped may break in the oven.</p> <p>METAL TWIST TIES: Remove metal twist ties from plastic or paper bags. They become hot and could cause a fire.</p> |

TROUBLE SHOOTING

BEFORE CALLING FOR SERVICE

Check the following list to be sure a service call is really necessary. A quick reference of this manual as well as reviewing additional information on items to check may prevent an unneeded service call.

| Problem | Possible Causes |
|--|--|
| If nothing on the oven operates: | <ul style="list-style-type: none"> • check for a blown circuit fuse or a tripped main circuit breaker. • check if oven is properly connected to electric circuit in house. • check that controls are set properly. |
| If the oven interior light does not work: | <ul style="list-style-type: none"> • the light bulb is loose or defective. |
| If oven will not cook: | <ul style="list-style-type: none"> • check that control panel was programmed correctly. • check that door is firmly closed. • check that Start Pad was touched. • check that timer wasn't started instead of a cook function. |
| If oven takes longer than normal to cook or cooks too rapidly: | <ul style="list-style-type: none"> • be sure the Power Level is programmed properly. |
| If the time of day clock does not always keep correct time: | <ul style="list-style-type: none"> • check that the power cord is fully inserted into the outlet receptacle. • be sure the oven is the only appliance on the electrical circuit. |
| If food cooks unevenly: | <ul style="list-style-type: none"> • be sure food is evenly shaped. • be sure food is completely defrosted before cooking. • check placement of aluminum foil strips used to prevent overcooking. |
| If food is undercooked: | <ul style="list-style-type: none"> • check recipe to be sure all directions (amount, time, & power levels) were correctly followed. • be sure microwave oven is on a separate circuit. • be sure food is completely defrosted before cooking. |
| If food is overcooked: | <ul style="list-style-type: none"> • check recipe to be sure all directions (amount, power level, time, size of dish) were followed. |
| If arcing (sparks) occur: | <ul style="list-style-type: none"> • be sure microwavable dishes were used. • be sure wire twist ties weren't used. • be sure oven wasn't operated when empty. • make sure metal rack (if used) is properly installed on 4 supports. |
| If the Display shows a time counting down but the oven is not cooking: | <ul style="list-style-type: none"> • check that door is firmly closed. • check that timer wasn't started instead of a cooking function. |
| Vent fan starts automatically. | <p>If the temperature gets too hot around the microwave oven, the fan in the vent hood will automatically turn on at the LOW setting to cool the oven. It may stay on up to an hour to cool the oven.</p> |

TROUBLE SHOOTING

WARNING

To avoid electrical shock which can cause severe personal injury or death, do not remove outer case at any time, Only an authorized servicer should remove outer case.

QUESTIONS AND ANSWERS

| Question | Answer |
|--|--|
| Can I use a rack in my microwave oven so that I may reheat or cook in two levels at a time? | Only use the rack that is supplied with your microwave oven. Use of any other rack can result in poor cooking performance and/or arcing and may damage your oven. |
| Can I use either metal or aluminum pans in my microwave oven? | Usable metal includes aluminum foil for shielding (use small, flat pieces). Never allow metal to touch walls or door. |
| Sometimes the door of my microwave oven appears wavy. Is this normal? | This appearance is normal and does not affect the operation of your oven. |
| What are the humming noises that I hear when my microwave oven is operating? | You hear the sound of the transformer when the magnetron tube cycles on and off. |
| Why does the dish become hot when I microwave food in it? I thought that this should not happen. | As the food becomes hot it will conduct the heat to the dish. Use hot pads to remove food after cooking. Dish may not be microwave safe. |
| What does standing time mean? | Standing time means that food should be taken out of the oven and covered for additional time after cooking. This process allows the cooking to finish, saves energy, and frees the oven for other purpose. |
| Can I pop popcorn in my microwave oven? How do I get the best results? | Yes. Pop packaged microwave popcorn following manufacturer's guidelines or use the preprogrammed Popcorn pad. Do not use regular paper bags. Use the listening test by stopping the oven as soon as the popping slows to a pop every one or two seconds. Do not try to repop unpopped kernels. You can also use special microwave poppers. When using a popper, be sure to follow manufacturer's directions. Do not pop popcorn in glass utensils. |
| Why does steam come out of the air exhaust vent? | Steam is normally produced during cooking. The microwave oven has been designed to vent this steam out the top vent. |

AMANA WARRANTY

Full ONE Year Warranty

Amana Appliances will repair or replace, including related labor and travel, any part (f.o.b. Amana Iowa) which proves defective as to workmanship or materials.

Limited Warranty

After one year from the date of original retail purchase, Amana will provide a free part, as listed below, to replace any part that fails due to a defect in materials or workmanship. The owner will be responsible for paying all other costs including labor, mileage, and transportation.

Second through Fifth Year

Amana will repair or replace, including related labor, a magnetron tube (f.o.b. Amana Iowa) which proves defective as to workmanship or materials when carried into an authorized Amana servicer.

What is not covered by these warranties

- Replacement of household fuses, resetting of circuit breakers, or correction to household wiring or plumbing.
- Normal product maintenance and cleaning, including light bulbs.
- Products with original serial numbers removed, altered, or not readily determined.
- Products purchased for commercial, industrial, rental, or leased use.
- Products located outside of the United States or Canada.
- Premium service charges, if the servicer is requested to perform service in addition to normal service or outside normal service hours or area.
- Adjustments after the first year.
- Repairs resulting from the following:
 - Improper installation, exhaust system, or maintenance.
 - Any modification, alteration, or adjustment not authorized by Amana.
 - Accident, misuse, abuse, fire, flood, or acts of nature.
 - Connections to improper electrical current, voltage supply, or gas supply.
 - Use of improper pans, containers, or accessories that cause damage to the product.

IN NO EVENT SHALL AMANA BE LIABLE FOR INCIDENTAL OR CONSEQUENTIAL DAMAGES.

This warranty gives you specific legal rights, and you may have others which vary from state to state. For example, some states do not allow the exclusion or limitation of incidental or consequential damages, so this exclusion may not apply to you.

Amana Appliances Online • <http://www.amana.com>

Part No. 12401535
Printed in Korea

2001 Amana Appliances
Amana, Iowa 52204

To Receive Warranty Service

Service must be performed by an authorized Amana service representative. To schedule service, contact the Amana dealer where you purchased your appliance or contact Amana Appliances Factory Service.

Amana Appliances Factory Service

1-800-628-5782 inside USA

For more information, Amana Appliances Consumer Services

Amana Appliances
2800 220th Trail
Amana, Iowa 52204
1-800-843-0304 inside USA
(319) 622-5511 worldwide

When contacting Amana Appliances please include the following information:

- Your name, address, and telephone number.
- Model number and serial number of your appliance.
- The name and address of your dealer and the date of purchase.
- A clear description of the problem.
- Proof of purchase (sales receipt).