

Installation Instructions

PAX3 Series PACKAGE AIR CONDITIONERS

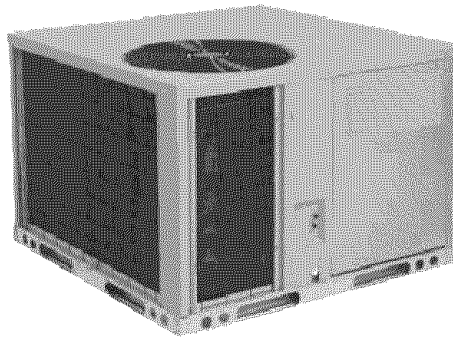


TABLE OF CONTENTS

UNIT DIMENSIONS	2 - 3	ELECTRICAL WIRING	6
SAFE INSTALLATION REQUIREMENTS	4	DUCTWORK	7
LOCATING THE UNIT	4	FILTERS	7
CLEARANCES	4	AIRFLOW ADJUSTMENT	8
INSTALLATION	5	START-UP PROCEDURES	8
GROUND LEVEL INSTALLATION	5	Sequence of OPERATION	9
Rooftop INSTALLATION	5	MAINTENANCE	9
HOISTING	5	RIGGING	12
DOWNFLOW CONVERSION	5	WIRING DIAGRAMS	13
CONDENSATE DRAIN	5		



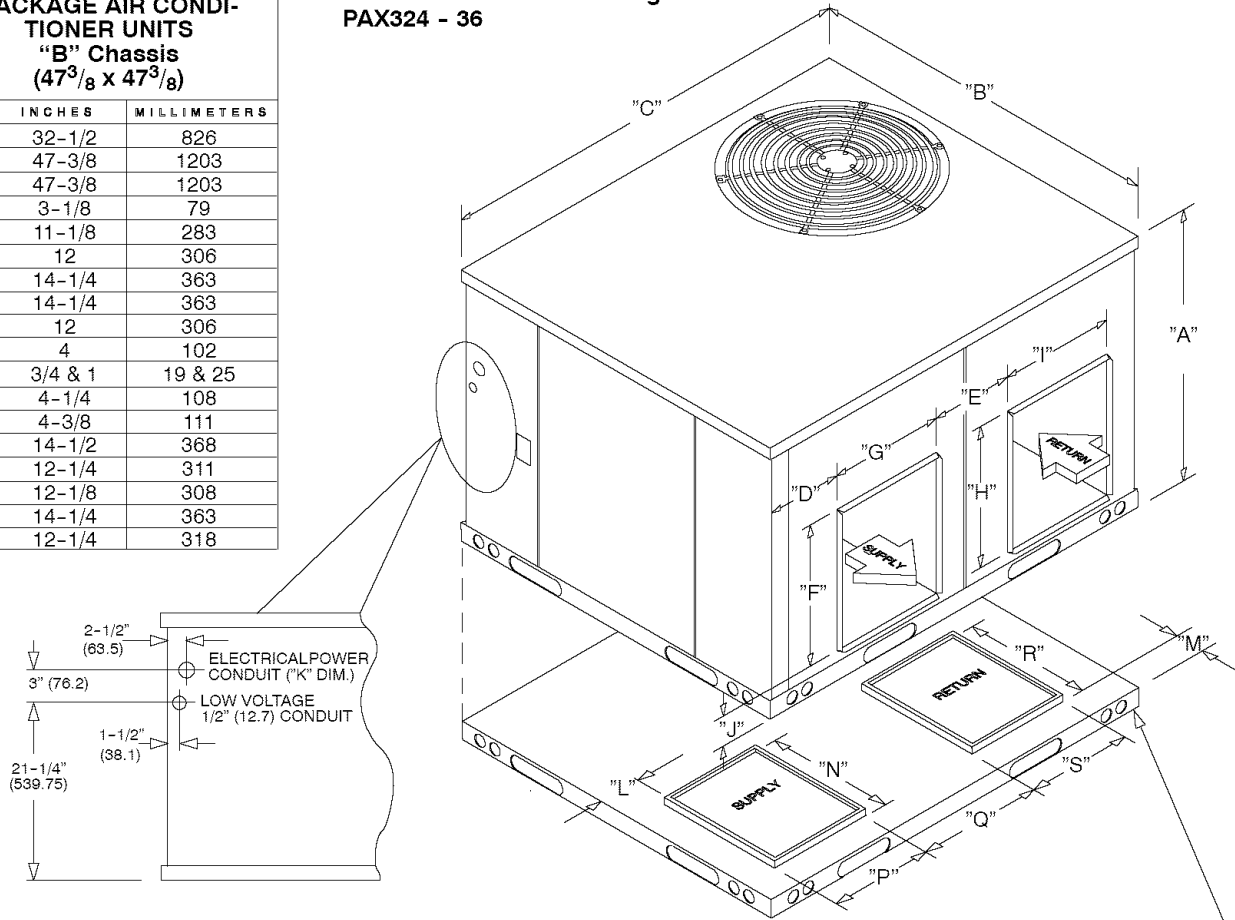
1. Unit Dimensions

"B" CHASSIS UNIT DIMENSIONS

PACKAGE AIR CONDITIONER UNITS "B" Chassis (47³/₈ x 47³/₈)

DIM.	INCHES	MILLIMETERS
A	32-1/2	826
B	47-3/8	1203
C	47-3/8	1203
D	3-1/8	79
E	11-1/8	283
F	12	306
G	14-1/4	363
H	14-1/4	363
I	12	306
J	4	102
K	3/4 & 1	19 & 25
L	4-1/4	108
M	4-3/8	111
N	14-1/2	368
P	12-1/4	311
Q	12-1/8	308
R	14-1/4	363
S	12-1/4	318

Units in "B" Chassis Configuration
PAX324 - 36

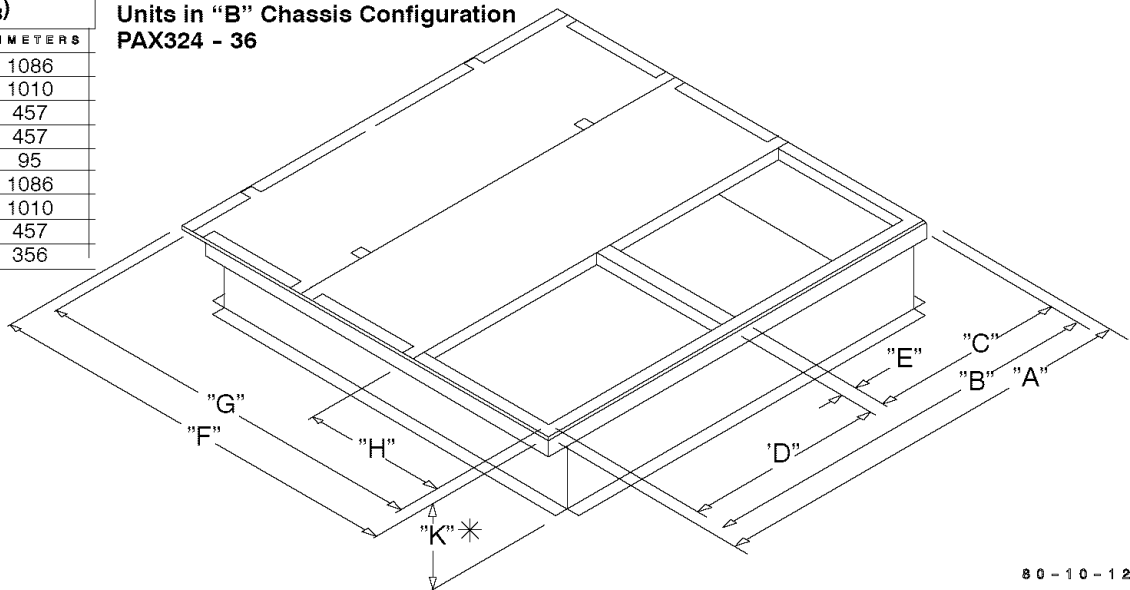


UNIT BASE SHOWN SEPARATELY TO ILLUSTRATE BOTTOM DUCT OPENINGS

ROOF CURB for units in "B" Chassis (47³/₈ x 47³/₈)

DIM.	INCHES	MILLIMETERS
A	42-3/4	1086
B	39-3/4	1010
C	18	457
D	18	457
E	3-3/4	95
F	42-3/4	1086
G	39-3/4	1010
H	18	457
K*	14	356

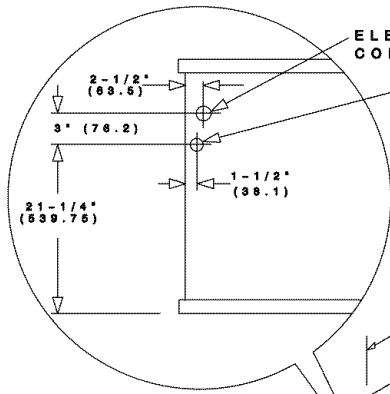
Units in "B" Chassis Configuration
PAX324 - 36



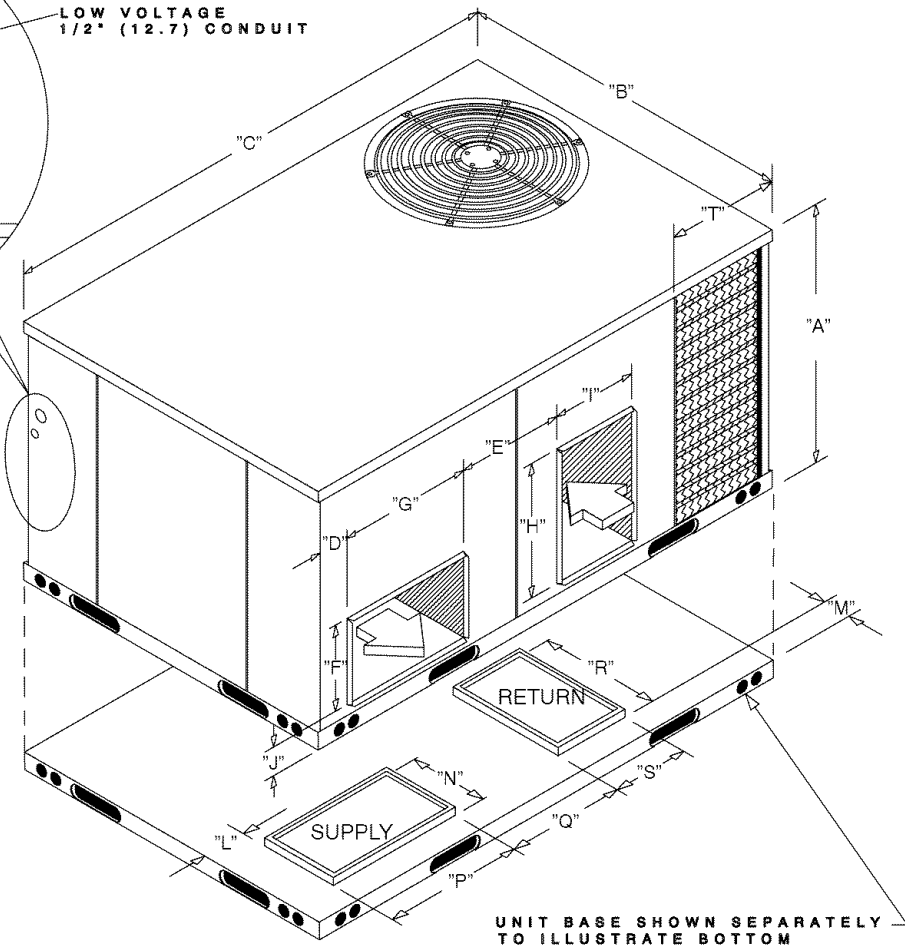
* Roof curbs are also available in 8" and 24" heights (K Dimensions).

80-10-12

"C" CHASSIS UNIT DIMENSIONS



ELECTRICAL POWER CONDUIT (*K* DIM.)
 LOW VOLTAGE 1/2" (12.7) CONDUIT



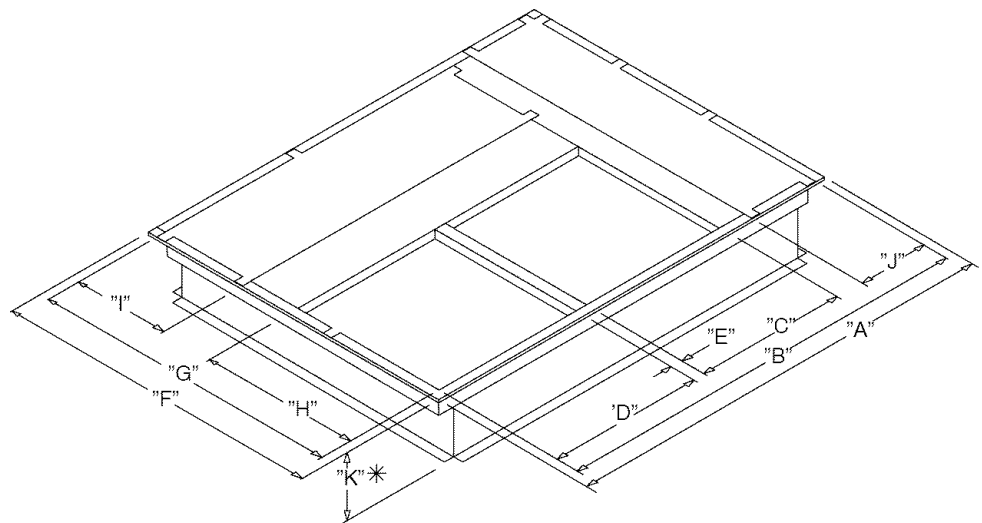
PACKAGE AIR CONDITIONER UNITS "C" Chassis (47³/₈ X 73)

DIM.	INCHES	MILLIMETERS
A	36	914
B	47-3/8	1203
C	73	1354
D	4-5/8	117
E	15	361
F	12	307
G	18-3/4	476
H	18-3/4	476
I	12	306
J	4	102
K	1 & 1-1/4	25 & 31
L	4-1/4	108
M	5-1/4	133
N	12-1/4	311
P	19	483
Q	15	381
R	19	483
S	12-1/4	318
T	16-7/8	429

ROOF CURB for "C" Chassis (47³/₈ X 73)

DIM.	INCHES	MILLIMETERS
A	67-3/4	1721
B	64-3/4	1645
C	23	584
D	23	584
E	2-1/2	64
F	42-3/4	1086
G	39-3/4	1010
H	23	584
I	12	305
J	12	305
K*	14	356

Units in "C" Chassis Configuration PAX342-60



* ROOF CURBS ARE ALSO AVAILABLE IN 8" (203) AND 24" (610) HEIGHTS (K DIMENSION).

2. SAFE INSTALLATION REQUIREMENTS

Installation and servicing of air-conditioning equipment can be hazardous due to system pressure and electrical components. Only trained and qualified personnel should install, repair, or service air-conditioning equipment.

Untrained personnel can perform basic maintenance functions of cleaning coils and filters. All other operations should be performed by trained service personnel. When working on air-conditioning equipment, observe precautions in the literature, tags, and labels attached to the unit, and other safety precautions that may apply.

Follow all safety codes. Wear safety glasses and work gloves. Use quenching cloth for unbrazing operations. Have fire extinguisher available for all brazing operations.

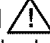
⚠ WARNING
FIRE AND ELECTRICAL SHOCK HAZARD

Improper installation, adjustment, alteration, service, maintenance, or use can cause fire or an explosion which could result in personal injury or unit damage. Consult a qualified installer, service agency, or gas supplier for information or assistance. The qualified installer or agency must use only factory-authorized kits or accessories when modifying this product.

⚠ WARNING
FIRE, AND ELECTRICAL SHOCK HAZARD

Failure to follow this warning could result in personal injury, death and/or property damage.

Before performing service or maintenance operations on unit, turn off gas supply to unit. Then turn off unit main power switch and install lockout tag.

Recognize safety information. This is the safety-alert symbol . When you see this symbol in instructions or manuals, be alert to the potential for personal injury.

Understand the signal words **DANGER**, **WARNING**, **CAUTION**, and **NOTE**. These words are used with the safety-alert symbol. **DANGER** identifies the most serious hazards which **will** result in serious injury or death. **WARNING** signifies a hazard which **could** result in serious injury or death. **CAUTION** is used to identify unsafe practices which **may** result in minor personal injury or product and property damage. **NOTE** is used to highlight suggestions which **will** result in enhanced installation, reliability, or operation.

⚠ WARNING
FIRE, AND ELECTRICAL SHOCK HAZARD

Failure to carefully read and follow all instructions in this manual could result in furnace malfunction, personal injury, death and/or property damage.

Installation or repairs made by unqualified persons can result in hazards to you and others. Installation **MUST** conform with local building codes or, in the absence of local codes, with the National Electrical Code NFPA70-2005 or in Canada the CSA C.22.1 - Canadian Electrical Code Part 1.

The information contained in this manual is intended for use by a qualified service technician familiar with safety procedures and equipped with the proper tools and test instruments.

SAFETY CONSIDERATIONS

- Install this unit only in a location and position as specified in section 3 of this manual.
- Always install unit to operate within the unit's intended external static pressure within the allowable range, as specified in section 6. Refer to unit rating plate for the allowable external static pressures.
- All connecting ductwork to the unit (supply and return) must be sealed to the unit casing as specified in section 5.
- Check to see that filters are installed correctly and are the proper type and size.

NOTE: It is the personal responsibility and obligation of the customer to contact a qualified installer to ensure that the installation is adequate and conforms to governing codes and ordinances.

INTRODUCTION

The PAX3 unit is a fully self-contained, electric cooling unit designed for outdoor installation (See pages 2 for unit dimensions). All unit sizes have return and discharge openings for both horizontal and downflow configurations, and are factory-shipped with all downflow duct openings covered.

Units may be installed either on a rooftop, cement slab, or directly on the ground if local codes permit.

3. LOCATING THE UNIT

ACCESS PANELS

See **Figure 1** for a general view of unit and location of access panels.

CLEARANCES

The location **MUST** allow for minimum clearances and should not be adjacent to a patio or other area where the unit's operating sound level might be objectionable. The combustion air inlet openings **MUST** not be obstructed (see **Figure 1**). In addition, local codes **MUST** be observed.

NOTE: Units with available filter racks (3-1/2 to 5 ton), need a 26" minimum clearance at side of unit for removal of filters. See Minimum Clearances below if unit is going to be placed near combustible construction or materials.

While minimum clearances are acceptable for safety reasons, they may not allow adequate air circulation around the unit for proper operation in the cooling mode. Whenever possible, it is desirable to allow additional clearance, especially around the condenser inlet and discharge openings.

Do **NOT** install the unit in a location that will permit discharged air from the condenser to recirculate to the condenser inlet.

⚠ CAUTION

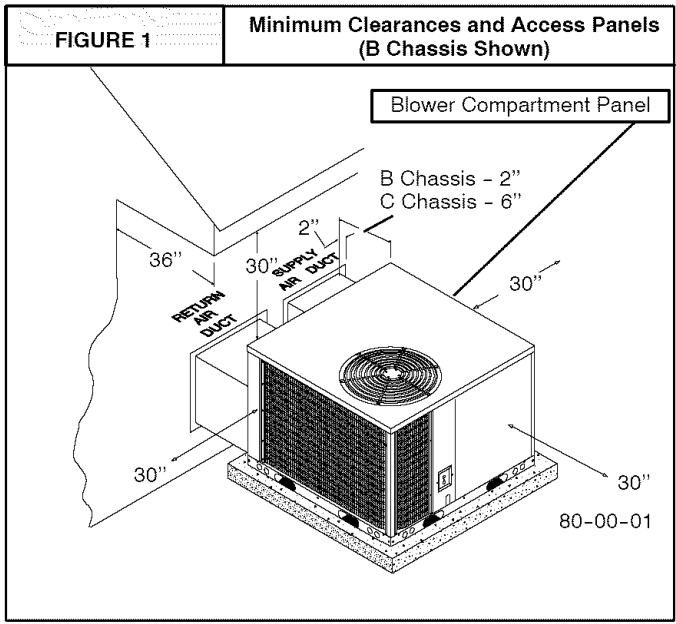
UNIT DAMAGE HAZARD

Failure to follow this caution may result in shorten life of unit components.

Do **NOT** operate unit in a corrosive atmosphere containing chlorine, fluorine, or any other corrosive chemicals.

Minimum Clearances to Combustible Construction

Duct Side	2" (6" on large chassis models)
Condenser Inlet	30"
Blower Service (Side)	30"
Control Service Side	
(Front Combustion Air Inlet)	30"
Clearance between 3 Ft. Overhang	
and Top of Unit	30"
Combustible Base	
(Wood or Class A, B or C	
roof covering material)	0"



INSTALLATION

NOTICE

Unit will **NOT** operate properly unless it is installed level front to rear and side to side. The slope **MUST NOT** be greater than $\frac{1}{8}$ " per foot (10mm per meter). For side to side leveling, the drain side **MUST** always be lower.

Ground Level Installation

- Ground level platform requirements:
- The unit **MUST** be situated to provide safe access for servicing.
 - Platform may be made of either concrete or pressure treated wood and **MUST** be level and strong enough to support unit weight.
 - Position platform separate from building foundation.
 - Install in well-drained area, with top surface of platform above grade level.

- Platform must be high enough to allow for proper condensate trap installation and drainage. See **Figure 2** and associated text for more information about condensate drainage.

Rooftop Installation

- Rooftop platform requirements:
- The unit **MUST** be situated to provide safe access for servicing.
 - The existing roof structure **MUST** be adequate to support the weight of the unit or the roof **MUST** be reinforced.
Check the weight of the unit in relation to the roof structure and local building codes or ordinances and reinforce roof structure if necessary.
 - Support for the unit **MUST** be level and strong enough to carry unit weight. The support may consist of a platform or a combination of platform and roof beams or curb.

HOISTING

NOTE: All access panels **MUST** be secured in place before hoisting.

The unit should be hoisted with two lifting slings. Attach the slings to rigging shackles that have been hooked through holes in the base rail.

Two spreader bars **MUST** be placed on top of the unit to protect the unit from damage from the pressure exerted by the slings. Make sure that all equipment is adequate to handle the weight of the unit and that the slings will not allow the unit to shift.

Refer to **Figure 7** for illustrated rigging instructions and weight chart.

DOWNFLOW CONVERSION

NOTE: In downflow applications with roof curbs or jack stands, the center rail under the unit must be removed. The center rail is attached to the base rail with screws.

These units are adaptable to downflow use. To convert to downflow use, follow these steps:

1. Remove the blockoff plates found in the return air compartment and the supply air compartment.
- NOTE:** Blockoff plate in the supply air compartment only contains one screw. If reinstalling plate, back part of plate **MUST** fit into mating dimples on flange. To reinstall, slant plate into dimples, then put plate into position and fasten with screw.
2. Install the removed plates on the horizontal return and supply air openings.
 3. Install roof curb on the building. Be sure to follow all directions included with curb and all applicable building codes in your installation.

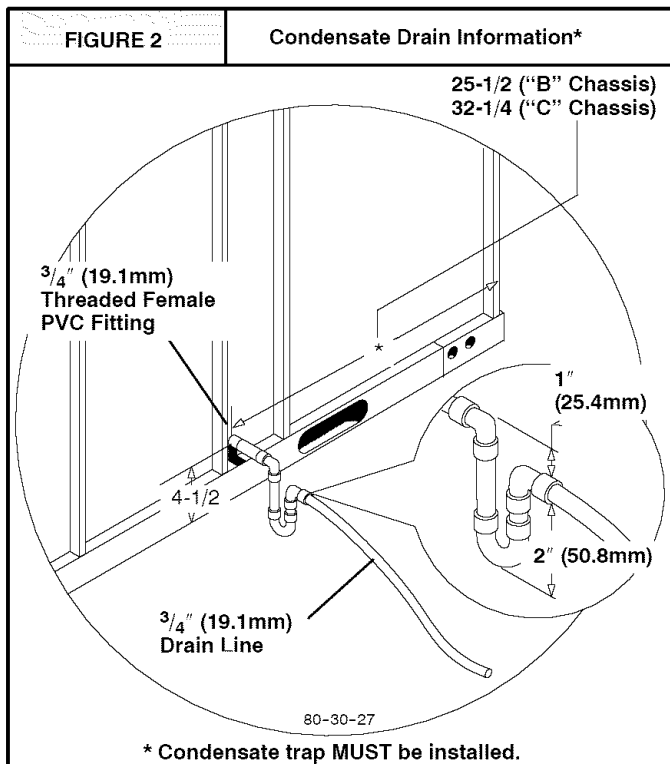
Condensate Drain

The condensate drain outlet is a $\frac{3}{4}$ " (19.1mm) female PVC connection located at the bottom on the left hand side (see **Figure 2**).

The circulating blower creates a negative pressure on the condensate drain line that can prevent the condensate from draining properly. To combat this negative pressure, a field

supplied condensate trap that will allow a standing column of water of at least 2" (50.8mm) **MUST** be installed. Top of outlet from trap **MUST** be at least 1" (25.4mm) below top of outlet from unit. **Install the trap as near to the unit as possible for proper drainage.**

A 3/4" (19.1mm) drain line **MUST** be installed if required by local codes or if location of unit requires it. Run the drain line to an open drain or other suitable disposal point.



4. ELECTRICAL WIRING

⚠ WARNING

ELECTRICAL SHOCK HAZARD.

Failure to follow this warning could result in personal injury, death, and/or property damage.

The unit cabinet must have an uninterrupted, unbroken electrical ground to minimize the possibility of serious injury if an electrical fault should occur. This ground may consist of an electrical wire connected to the unit ground lug in the control compartment, or conduit approved for electrical ground when installed in accordance with National Electric Code (NEC) NFPa 70, National Fuel Gas Code NFPa 54-2005/ANSI Z223.1-2005 and local electrical codes. In Canada, follow Canadian Electrical Code CSA (Canadian Standards Association) C22.1 and local electrical codes.



CAUTION

REDUCED EQUIPMENT LIFE HAZARD

Failure to follow these precautions could result in damage to the unit being installed.

- 1) Make all electrical connections in accordance with National Electric code (NEC) NFPa 70, National Fuel Gas Code NFPa 54-2005/ANSI Z223.1-2005 and local electrical codes governing such wiring. In Canada, all electrical connections must be in accordance with CSA standard C22.1, Canadian Electrical Code Part 1, and applicable local codes. Refer to unit wiring diagram.
- 2) Use only copper conductor for connections between field-supplied electrical disconnect switch and unit. **DO NOT USE ALUMINUM WIRE.**
- 3) Be sure that high-voltage power to unit is within operating voltage range indicated on unit rating plate.
- 4) Do not damage internal components when drilling through any panel to mount electrical hardware, conduit, etc. Consult local power company for correction of improper voltage and/or phase imbalance.

Disconnect Switch

The unit must have separate electrical service with a field-supplied, waterproof, disconnect switch mounted at, or within sight from, the unit. Refer to the unit rating plate for maximum fuse/circuit breaker size and minimum circuit amps (ampacity) for wire sizing.

Ground Connections

Do **NOT** complete line voltage connections until unit is permanently grounded. All line voltage connections and the ground connection **MUST** be made with copper wire.

A ground lug is installed in the control box area for the ground connection. Use a copper conductor of the appropriate size from the unit to a grounded connection in the electrical service panel or a properly driven and electrically grounded ground rod. See warning above.

Line Voltage Wiring - (Wiring Diagrams page 13)

Connections for line voltage are made in the unit control box area. Refer to wiring diagram located on the Burner Access panel. For access, remove the burner access panel.

1. Run the high voltage (L1, L2) and ground leads into the control box.
2. Connect ground lead to chassis ground connection.
3. Connect L1 to pressure lug connection 11 of the compressor contactor.
4. Connect L2 to pressure lug connection 23 of the compressor contactor.

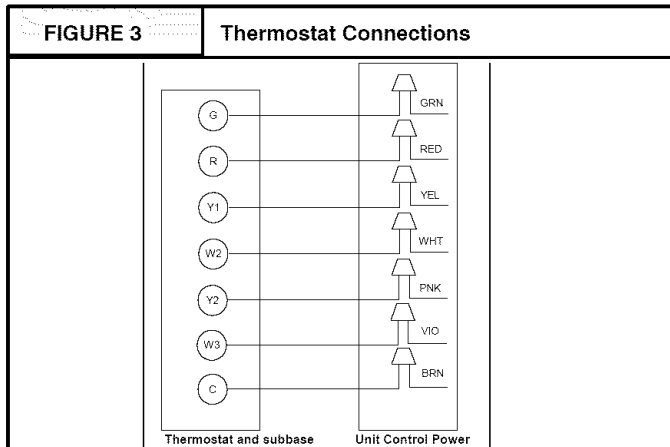
Thermostat / Low Voltage Wiring

Location of the thermostat has an important effect on home comfort. **FOLLOW THE THERMOSTAT INSTRUCTION MANUAL FOR CORRECT LOCATION, MOUNTING, AND WIRING.**

For 2 to 5 Ton Models:

A two-stage thermostat is required for proper operation. Thermostat should have the following terminals: "R",

"W/W1", "Y1", "Y2", and "G". Some electronic thermostats use low voltage from the unit for power for temperature display and programming. These electronic thermostats will have a "C" terminal. The outdoor unit has color-coded wires for easy connection. Using wire nuts, follow **FIGURE 4** for proper connections:



THERMOSTAT HEAT ANTICIPATOR

Some thermostats have an adjustable heat anticipator. The heat anticipator prevents temperature overshoot in heating mode. If the heat doesn't turn off until the set point temperature on the thermostat is exceeded, then the anticipator setting is too low. If the heat turns off before the thermostat reaches the set point temperature on the thermostat, then the anticipator setting is too high. Follow the thermostat instruction manual for proper adjustment of the heat anticipator.

Final Electrical Check

1. Make a final wiring check to be sure system is correctly wired. Inspect field installed wiring and the routing to ensure that rubbing or chafing due to vibration will not occur.

NOTE: Wiring **MUST** be installed so it is protected from possible mechanical damage.

5. DUCTWORK

Ductwork Sizing

The maximum recommended velocity in trunk ducts is 1000 feet per minute. The maximum recommended velocity in branch ducts is 800 feet per minute.

Ductwork sizing affects the discharge temperature, airflow velocity, and efficiency of the system. Be sure to properly size ductwork to the capacity of the unit and to the airflow requirements of the conditioned space. Failure to properly size ductwork can result in inadequate airflow and poor efficiency. Undersized ductwork may result in tripped limit controls and premature failure of compressors, motors and other components.

Ductwork Insulation

Ductwork installed outdoors must have a minimum 2" thick fiberglass "wrap" insulation and a weatherproof vapor barrier installed around it. The insulation and vapor barrier must be protected against potential damage. Caulking, flashing, and other means of providing a permanent weather seal must be used.

Ductwork Connections

The use of flexible, non-combustible connectors between main trunk ducts and supply and return air plenums is permitted. If flexible connectors are used, they should be protected from potential mechanical damage such as punctures and tears.

NOTE: When connecting the supply and return plenums to the unit, make sure that the plenums are sealed against the side casing of the unit and do not interfere with removal of the top of the unit.

FILTERS

All return air **MUST** pass through a filter before entering the unit. An electronic air cleaner, optional filter racks, or other accessible filter arrangement must be installed in the return air ductwork. Minimum recommended filter sizes are listed in **FIGURE 5** and are based on maximum face velocities of 300 ft/min for disposable filters and 500 ft/min for washable (high velocity) filters. See **FIGURE 5** for filter sizes.

⚠ CAUTION

REDUCED EQUIPMENT LIFE HAZARD

Failure to follow this caution may result in improper unit operation.

Do not operate the unit without a filter.

PAX3 Filter Data		Filter Sizes		
Model	Disposable Filters		Wasable Filters	
	Nominal Size (Qty x w x d)	Minimum Area (sq inches)	Nominal Size (Qty x w x d)	Minimum Area (sq inches)
PAX324000K00A1	1 x 20" x 20"	384	1 x 10" x 20"	192
PAX330000K00A1	1 x 20" x 24"	480	1 x 12" x 20"	240
PAX336000K00A1	2 x 15" x 20"	576	1 x 15" x 20"	288
PAX342000K00A1	2 x 18" x 20"	672	1 x 18" x 20"	336
PAX348000K00A1	2 x 20" x 20"	768	1 x 20" x 20"	384
PAX360000K00A1	2 x 20" x 24"	960	1 x 20" x 24"	480

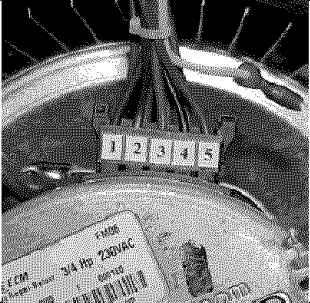
6. AIRFLOW ADJUSTMENT

CIRCULATING AIR BLOWER SPEEDS

BLOWER PERFORMANCE DATA																															
Model Number	PAX324					PAX330					PAX336					PAX342					PAX348					PAX360					
Torque (ox. Ft.)	5.96	10.98	15.53	18.04	29.02	11.92	13.02	18.04	23.06	29.02	18.59	24.00	34.35	52.94	-	19.06	23.06	34.12	41.88	44.00	26.98	32.00	51.14	59.92	80.00	30.12	31.06	55.84	73.10	80.00	
Speed Tap	1	2	3	4	5	1	2	3	4	5	1	2	3	4	5	1	2	3	4	5	1	2	3	4	5	1	2	3	4	5	
Air Delivery in CFM @ Varying External Static Pressure (in. w.c.)	0.1	661	711	869	951	1251	754	789	958	1106	1258	876	1026	1276	1630	-	973	1028	1302	1481	1569	1173	1304	1680	1831	2103	1300	1368	1839	2091	2188
	0.2	478	655	842	914	1218	708	747	923	1080	1227	841	994	1242	1588	-	900	969	1260	1448	1537	1127	1256	1650	1797	2051	1263	1321	1807	2056	2140
	0.3	334	623	809	883	1194	671	714	894	1048	1201	794	949	1209	1526	-	853	924	1219	1412	1500	1085	1216	1614	1763	2001	1214	1283	1772	2023	2096
	0.4	262	564	768	858	1170	618	668	857	1017	1164	756	913	1179	1477	-	797	881	1179	1374	1463	1027	1167	1578	1732	1942	1169	1231	1735	1987	2039
	0.5	219	529	736	811	1139	584	630	828	992	1138	694	871	1150	1415	-	749	838	1138	1336	1423	983	1126	1544	1696	1878	1117	1197	1702	1935	1974
	0.6	196	481	684	775	1100	524	582	786	954	1112	651	841	1117	1354	-	702	789	1103	1298	1389	927	1077	1507	1661	1809	1073	1144	1667	1878	1905
	0.7	-	431	650	733	1063	494	542	750	924	1077	598	793	1086	1287	-	642	731	1060	1263	1353	881	1026	1470	1621	1723	1026	1105	1629	1811	1827
	0.8	-	392	599	697	988	443	495	712	881	1027	543	735	1045	1216	-	581	680	1015	1226	1317	821	979	1427	1559	1632	975	1038	1590	1729	1745
	0.9	-	334	569	658	871	382	460	661	838	934	499	683	998	1145	-	529	617	963	1186	1276	764	921	1373	1446	1526	926	969	1535	1640	1642
	1	-	305	523	618	745	342	403	630	755	809	464	638	946	1070	-	476	562	923	1143	1208	710	875	1289	1339	1388	862	913	1460	1536	1537

Notes: Air Delivery @ listed external static pressure are taken at 230Volts with Dry coil, no filter and approved heater.
For wet coil add .05 in. wc. to Static Pressure measurement. Note for 208 Volts applications, reduce airflow by 15%.

FIGURE 5		Blower Tap Connections		
Models	Blower Speed Tap Settings			
	Low Capacity Airflow	Rated Airflow	High Capacity Airflow	
PAX324	Speed Tap 1	Speed Tap 3	Speed Tap 5	
PAX330	Speed Tap 1	Speed Tap 4	Speed Tap 5	
PAX336	Speed Tap 1	Speed Tap 3	Speed Tap 5	
PAX342	Speed Tap 1	Speed Tap 4	Speed Tap 5	
PAX348	Speed Tap 1	Speed Tap 3	Speed Tap 5	
PAX360	Speed Tap 2	Speed Tap 4	Speed Tap 5	



Verify that the proper blower speeds for heating and cooling are selected on the blower motor by removing the blower access panel and inspecting the blower motor. The motor has 4 or 5 speeds numbered "1", "2", "3", "4" and "5". The wires for the speed selection are as follows:

- Red ➡ Heating
- Black ➡ High Stage Cooling
- Violet ➡ Low Stage Cooling

Using the same speed for Heating and Cooling.

If the same speed is required for heating and high stage cooling the following procedure must be used:

- Set Red wire on proper speed selection on blower motor.
- Remove Black wire from "HI" (All Models) on Blower Interface Board. Tape end of Black lead using electrical tape.
- Jumper the Red wire to both the "Heat" terminal and "HI" (All Models) terminal on the Blower Interface Board.

If the same speed is required for heating and low stage cooling, the following procedure must be used:

- Set Red wire on proper speed selection on blower motor.
- Remove Violet wire from "LO" on Blower Interface Board. Tape end of Violet lead using electrical tape.
- Jumper the Red wire to both the "Heat" terminal and the "LO" terminal on the Blower Interface Board.

CONTINUOUS FAN OPERATION

Continuous fan speed operates at the low stage cooling speed for all models.

COOLING

- Turn electric power **OFF**
- Set thermostat Heat-Cool select to **COOL**.
- Adjust thermostat setting to below room temperature.
- Turn power **ON**, for approximately one minute, then **OFF**. During power application check the following:
 - Contactor - Contacts Closing
 - Compressor - **ON**
 - Condenser fan motor - **ON**
 - Circulating Air Blower - **ON** 0 second delay
- Turn power **OFF**, check the following:
 - Contactor contacts opening.
 - Compressor - **OFF**
 - Condenser fan motor - **OFF**
 - Circulating blower - **OFF** after a 90 second delay for all models.

7. START-UP PROCEDURES

CHECK BEFORE STARTING

- Check that the blower motor speed terminal block is running the correct heating and cooling speeds.
- Check to see that clean, properly sized air filters are installed.
- Replace all service access panels.

Check the unit's operation as outlined in the following instructions. If any unusual sparking, odors or unusual noises are encountered, shut off electric power immediately. Recheck for wiring errors, or obstructions in or near blower motors.

1. Set thermostat Heat-Cool selector to **OFF**.
2. Set thermostat fan switch to **AUTO**.
3. Turn electric power **ON**. Nothing should start running.
4. Set thermostat fan switch to **ON**.
5. Reset thermostat fan switch to **AUTO**.

8. Sequence of OPERATION

⚠ WARNING

ELECTRICAL SHOCK HAZARD.

Failure to follow this warning could result in personal injury, death and/or property damage.

Turn off electric power supply at disconnect switch or service panel before removing any access or service panel from unit.

Cooling Operation (All Models):

These units utilize a 2 stage indoor thermostat. With a first stage call for cooling (Y1), the indoor fan (low stage) energizes immediately whereas the contactor energizes after a 5 minute time delay (incase of an initial start up) starting the compressor (low stage) and the outdoor fan motor. If the low stage operation cannot satisfy the cooling demand, the second stage cooling (Y2) energizes switching the compressor into high stage cooling through energizing an internal solenoid valve inside the scroll compressor and switching the indoor fan into high stage. When second stage cooling is satisfied, Y2 de-energizes switching the compressor and the indoor fan into low stage cooling. When the low stage cooling demand is met, Y1 de-energizes shutting the compressor, indoor fan and the outdoor fan.

Heating Operation (All Models):

With a call for heating (W2), the auxiliary electric heater is energized along with the Indoor blower. If the demand is not met, W3 is energized incase of staged heating. When heating demand is satisfied, W3 and W2 sequentially de-energize along with the indoor fan blower.

Continuous Fan:

With the continuous Indoor fan option selected on the thermostat, the system runs low stage (Y1) airflow for continuous fan operation.

9. MAINTENANCE

MONTHLY MAINTENANCE AND INSPECTION CHECKS

Air Filters



CAUTION

REDUCED EQUIPMENT LIFE HAZARD

Failure to follow this cautions may result in damage to the unit being installed.

Do not operate the unit without a filter.

Inspect filters at least monthly and replace or clean as required. Washable filters may be cleaned by soaking in mild detergent and rinsing with cold water. Replace filters with the arrows on the side pointing in the direction of air flow. Dirty filters are the most common cause of inadequate heating or cooling performance, and of compressor failures.

COOLING SEASON CHECKS (MONTHLY)

Condenser Coil

Keep the condenser inlet and outlet area clean and free of leaves, grass clippings or other debris. Grass should be kept short in front of the condenser inlet. Shrubbery **MUST** be trimmed back so it is no closer than 30 inches to unit.

Condensate Drain

Check for condensate drainage. Clean as required.

ANNUAL MAINTENANCE AND INSPECTION

⚠ WARNING

ELECTRICAL SHOCK HAZARD.

Failure to follow this warning could result in personal injury, death and/or property damage.

Turn off electric power supply at disconnect switch or service panel before removing any access or service panel from unit.

The annual inspection should include cleaning as required to ensure efficient operation of the unit. To simplify access, remove all access panels and the top from the unit if possible .

Condenser Fan Motor

Note: The condenser fan motor is permanently lubricated. No further lubrication is required. Do not attempt to lubricate the condenser fan motor.

Clean the surrounding area and the condenser and evaporator coils. Use caution to avoid damage to coil fins.

BLOWER MOTOR ACCESS

1. Remove the blower access panel
2. Remove the three screws securing the blower motor housing. If unit has a support bracket, remove the two screws securing the bracket.
3. Remove the two red wires attached to the limit switch and remove the limit switch.

Motor removal and replacement

This method is required to replace or repair blower wheel, blower housing, or any unreachable components behind blower assembly.

1. Remove all screws around rim of unit top, (except screws which are inaccessible because of proximity to structure).
2. Raise unit top at corner of unit closest to blower at least 2" and place a sturdy brace at least 2" thick between top and unit corner. A 2X4 piece of wood is ideal for this.

3. Disconnect all wires from housing and slide housing out of unit. Reverse this process to reinstall.

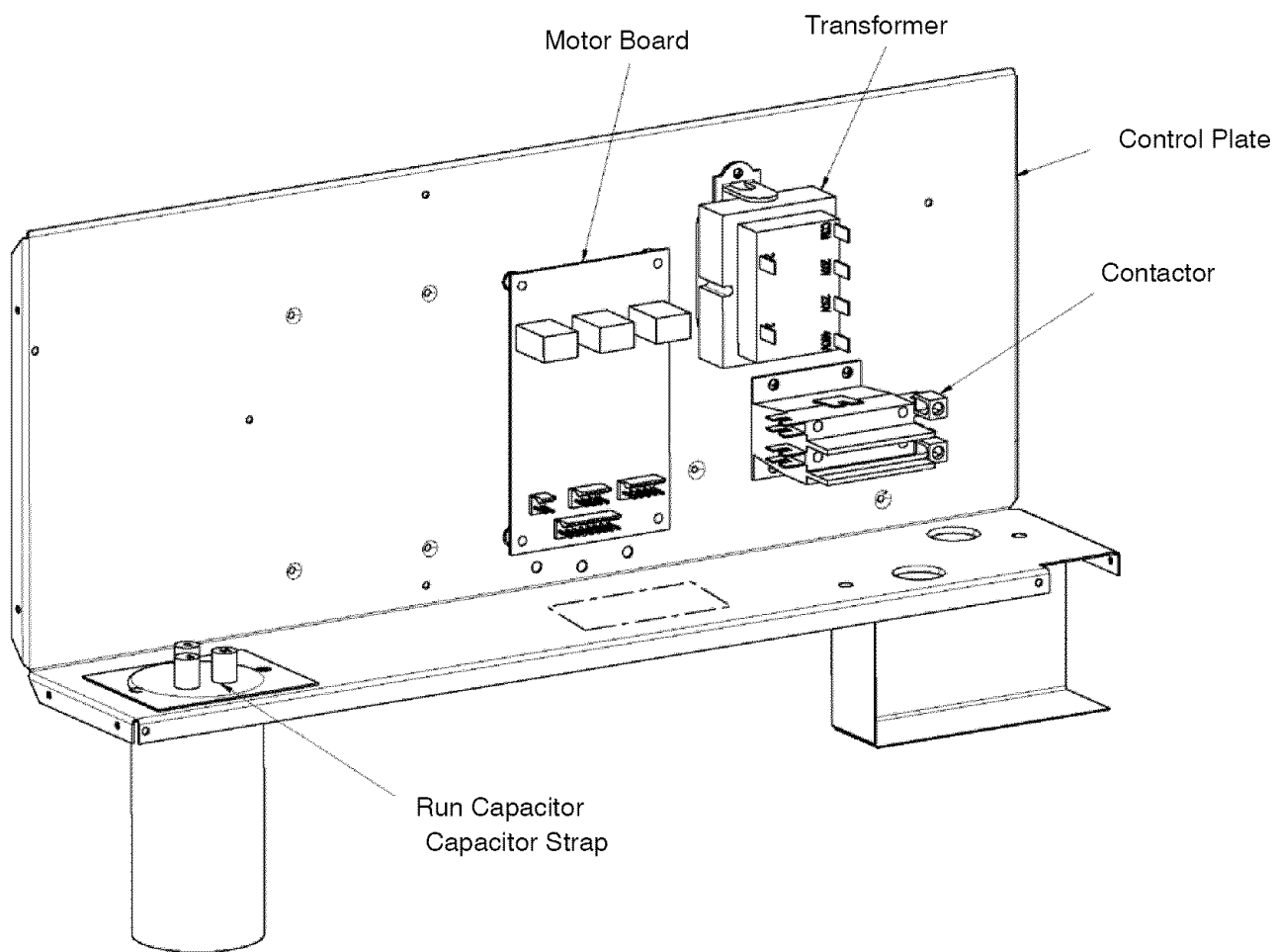
Circulating Air Blower

Visually inspect the blower wheel for accumulations of dirt or lint. Clean the compartment and the blower wheel. If accumulation is excessive on blower wheel, or does not easily remove, it will be necessary to remove the blower assembly.

Note: The blower motor is permanently lubricated. No further lubrication is required. Do not attempt to lubricate the blower motor.

FIGURE 6

Control Box



RIGGING INSTRUCTIONS

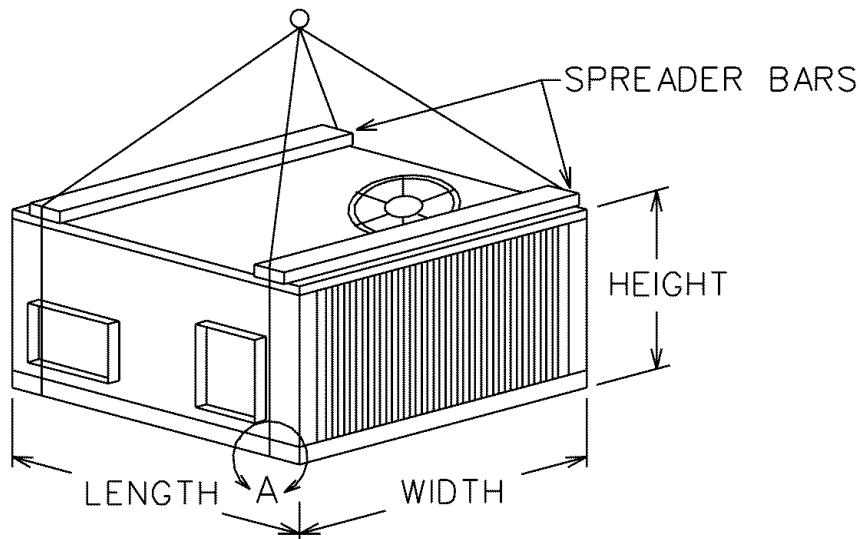
1096286



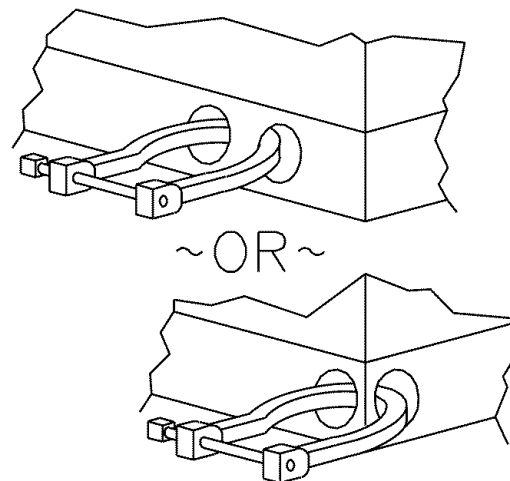
WARNING

FAILURE TO FOLLOW THESE INSTRUCTIONS CAN RESULT IN PROPERTY DAMAGE, BODILY INJURY OR DEATH.

- ALL PANELS MUST BE IN PLACE WHEN RIGGING AND LIFTING.
- HOOK RIGGING SHACKLES THROUGH HOLES IN BASE RAIL, AS SHOWN IN DETAIL-A.
- USE SPREADER BARS, WHEN RIGGING, TO PREVENT UNIT DAMAGE.
- BE SURE RIGGING AND SHACKLES ARE SUFFICIENT TO HANDLE WEIGHT LISTED BELOW.



DETAIL - A



Cabinet	Max. Length		Max. Width		Max. Height		Max. Weight	
	IN	MM	IN	MM	IN	MM	LB	KG
Small	52	1219	48	1219	38	965	500	227
Large	73	1854	48	1219	38	965	900	409

